

KICKER®



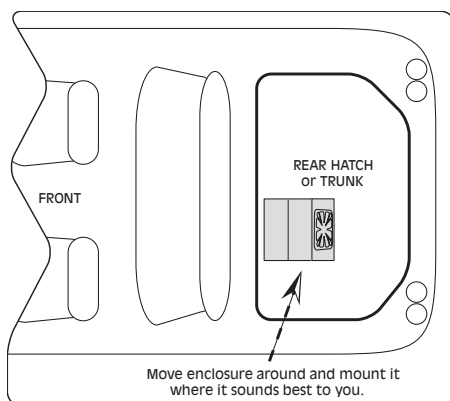
HS12L5 / HS12L7 Sealed Enclosure Systems

Congratulations! You have just purchased one of the most advanced subwoofers in the history of car audio. Your KICKER Solo-Baric is the latest in KICKER's trend-setting Solo-Baric line, designed and engineered to deliver the ultimate in low bass performance and unmatched durability. Thanks for buying KICKER. Enjoy.

Installation Instructions

These enclosures combine KICKER's award-winning Solo-Baric subwoofers with computer designed and human-fine-tuned enclosures. They offer a level of bass performance never before thought possible from a commercially available enclosure. The HS Series enclosures are covered in a Catalyzed Polyurethane for protection and pre-loaded with either a Solo-Baric **SL5** or **SL7** woofer.

KICKER HS enclosures are engineered to provide the best bass response when mounted in the rear hatch or trunk.



Specifications

Model	Woofers	Imp.	Power Handling (Watts)	Top Depth (in., cm)	Bottom Depth (in., cm)	Height (in., cm)	Width (in., cm)
HS12L5	S12L5	*2,4	600	7-11/16, 19.53	14, 35.56	14-5/8, 37.15	16, 40.64
HS12L7	S12L7	*2,4	750	7-11/16, 19.53	14, 35.56	14-5/8, 37.15	16, 40.64

NOTE:

*The two ohm unit should be used with the KX Series Class D amplifiers KX550.3, KX700.5, KX400.1, and KX600.1. It is not recommended for use with any KX two or four channel amplifiers.

The four ohm unit should be used with any KX Series two or four channel amplifier. It is not recommended for use with any KX Series Class D amplifiers.

Download from www.Somanuals.com. All Manuals Search And Download.

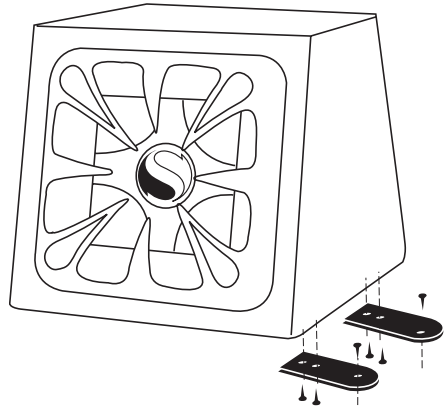
Mounting

After determining the best mounting position, check carefully in the areas where the mounting brackets will go. Make very sure that the mounting screws will not puncture the gas tank, brake lines, wire harnesses, etc., or interfere with any mechanical items on the underside of the chosen mounting surface. Turn the enclosure upside-down and attach the four mounting brackets to the bottom of the enclosure using the supplied smaller screws. Each bracket must be positioned so the rounded end protrudes approximately 3/4" from under the cabinet to allow a screw to easily pass through it for attachment to the vehicle. (See Diagram.)

Plug your subwoofer speaker wire into the terminals, using the red connector as positive and the black connector as negative. Hook the other end of this wire to your subwoofer amplifier in accordance with its owner's manual. This enclosure is wired internally to produce a 2 or 4 Ohm load at the terminals depending on the model.

With the enclosure right side up, securely attach it to the vehicle with the supplied larger screws. If the supplied hardware is not applicable to your installation, some other means of securely attaching the enclosure to the vehicle must be used.

To avoid potential injury from forward movement of the enclosure during abrupt stops or accidents, this enclosure must be properly installed and securely fastened to your vehicle.



SPEAKER SYSTEMS LIMITED WARRANTY

Stillwater Designs warrants this product to be free from defects in material and workmanship under normal use for a period of **one (1) year from date of original purchase from an authorized Kicker Dealer**, unless this product is labeled "B Stock", in which case it is warranted for ninety (90) days from date of purchase. Should service be necessary under this warranty for any reason due to manufacturing defect or malfunction during the warranty period, Stillwater Designs will replace or repair (at its discretion) the defective merchandise with equivalent merchandise at no charge. Warranty replacements on "B-Stock" may have cosmetic scratches and blemishes. Discontinued products may be replaced with equivalent products.

This warranty is valid only for the **original purchaser** and is not extended to owners of the product subsequent to the original purchaser. Any applicable implied warranties are limited in duration to a period of the express warranty as provided herein beginning with the date of the original purchase at retail, and no warranties, whether express or implied, shall apply to this product thereafter. Some states do not allow limitations on implied warranties, therefore these exclusions may not apply to you.

This warranty gives you specific legal rights; however you may have other rights that vary from state to state.

WHAT TO DO IF YOU NEED WARRANTY OR SERVICE

Defective merchandise must be returned to your local Authorized Stillwater Designs (Kicker) Dealer for warranty. Assistance in locating an Authorized Dealer can be obtained by writing or calling Stillwater Designs direct. You can confirm that a dealer is authorized by asking to see a current authorized dealer window decal.

If it becomes necessary for you to return defective merchandise, call the Kicker Customer Service Department at (405)624-8510 for a Return Authorization (RA) number. Package all defective items in the original container or in a package that will prevent shipping damage, and return to

Stillwater Designs, 5021 North Perkins Road, Stillwater, OK 74075

The RA number must be clearly marked on the outside of the package. Return only defective components. Return of entire cabinets, system packs, pairs, etc. increases your return freight charges. Non-defective items received will be returned freight collect.

Include a **dated proof-of-purchase** from an Authorized Dealer. Warranty expiration on items returned without proof-of-purchase will be determined from the manufacturing date code. Coverage may be invalidated if this date is greater than 18 months previous to the date item is sent in. Freight must be prepaid; items received freight collect will be refused.

Failure to follow these steps may void your warranty. Any questions can be directed to the Kicker Customer Service Department at (405)624-8510.

WHAT IS NOT COVERED?

This warranty is valid only if the product is used for the purpose for which it was designed. It does not cover:

- Install slips (screwdriver holes)
- Damage caused by exposure to water and/or excessive heat.
- Damage through negligence, misuse, or accident.
- Items physically damaged due to abuse.
- Freight damage.
- The cost of shipping product to Stillwater Designs Service.
- Items previously repaired by any unauthorized repair facility.
- Items returned from unauthorized individuals or dealers.
- Return shipping on non-defective items.
- Speakers damaged due to amplifier clipping or distortion.
- Speakers with silicon caulk used for gasket material.

HOW LONG WILL IT TAKE?

Stillwater Designs maintains a goal of 24-hour service for all returns. Delays may be incurred if lack of replacement inventory or parts is encountered.

INTERNATIONAL WARRANTY

Contact your International Stillwater Designs dealer or distributor concerning specific procedures for your country's warranty policies.



P.O. Box 459 • Stillwater, Oklahoma 74076 • U.S.A. • 405 624-8510

STILLWATER
Designs®

WARNING:

KICKER drivers are capable of producing sound levels that can permanently damage your hearing! Turning up a system to a level that has audible distortion is more damaging to your ears than listening to an undistorted system at the same volume level. The threshold of pain is always an indicator that the sound level is too loud and may permanently damage your hearing.

Please use common sense when controlling volume!

June 2002



Free Manuals Download Website

<http://myh66.com>

<http://usermanuals.us>

<http://www.somanuals.com>

<http://www.4manuals.cc>

<http://www.manual-lib.com>

<http://www.404manual.com>

<http://www.luxmanual.com>

<http://aubethermostatmanual.com>

Golf course search by state

<http://golfingnear.com>

Email search by domain

<http://emailbydomain.com>

Auto manuals search

<http://auto.somanuals.com>

TV manuals search

<http://tv.somanuals.com>