



Fyrewatch™ Battery Operated Smoke Alarm

• 0913

Red LED

Flashes every 30-40 seconds to indicate that the smoke alarm is receiving power

Test Button

Tests unit's electronic circuitry, horn, and battery function



Description

The Fyrewatch 0913 smoke alarm is a full size battery operated smoke alarm. The Fyrewatch unit utilizes ionization technology that protects against fast flaming fires and other types of fires. The 0913 is powered by a 9V battery, providing continuous protection, even during power outages. This easy to install unit includes a test button to verify the detection electronics are working as intended. The tamper resist feature makes your smoke alarm somewhat tamper resistant. This helps deter theft or tampering.

Features and Benefits

- **Test Button** – Tests unit's electronic circuitry, horn, and battery function.
- **Tamper Resist Locking Pin** – Helps deter theft or tampering.
- **Battery Operated** – Protects even during power outages.



Architectural and Engineering Specifications

The smoke alarm shall be Kidde Unit Number 0913 (part number 900-0159) or approved equal. It shall be powered by a 9V battery. The unit shall incorporate an ionization smoke sensor with nominal sensitivity of 1.26%/ft. The temperature operating range shall be between 40°F and 100°F (4°C and 38°C) and the humidity operating range shall be 5% - 95% relative humidity.

The alarm can be installed on the surface of any wall or ceiling following the UL/NFPA/Manufacturer's recommended placement guidelines. The unit shall provide optional tamper resistance that deters removal of the unit from the wall or ceiling.

The alarm shall include a test button that will electronically simulate the presence of smoke and cause the unit to go into alarm. This sequence tests the unit's electronics, battery and horn to ensure proper operation.

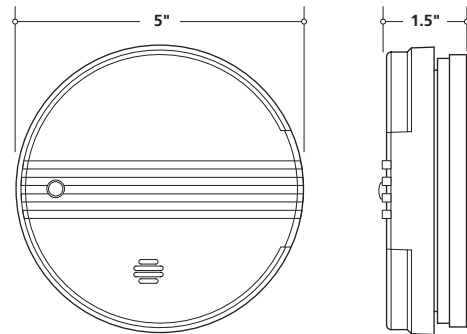
The unit shall include a piezoelectric horn that is rated at 85 decibels at 10 feet. In a smoke incident, the horn will sound in the repetitive manner – three (3) beeps, a pause, three (3) beeps, a pause.

The unit shall also indicate a low battery warning utilizing a brief alarm chirp every 30-40 seconds for a minimum of seven (7) days.

The unit shall at a minimum meet the requirements of UL 2034, UL217, NFPA72, (chapter 11 2002 edition) The State of California Fire Marshall, NFPA101 (One and two family dwellings) Federal Housing Authority (FHA). It shall also include a 3-year manufacturer's limited warranty.

Technical Specifications

Unit Number:	0913
Power Source:	9V Battery (included)
Audio Alarm:	85dB at 10ft
Temperature Range:	40°F (4.4°C) to 100°F (37.8°C)
Humidity Range:	5%-95% relative humidity (RH)
Sensor:	Ionization
Size:	5" in diameter x 1.5" depth
Weight:	1lb
Interconnects:	No
LED:	Red, normal operation
Warranty:	3 year limited



Ordering Information

Clam Shell UPC: 0-47871-00159-0

Part Number	I 2 of 5	Pack Quantity	Dimensions (w x d x h inches)	Weight	Case/Skid	Layers/Skid	Skid Weight
900-0159**	N/A	Individual	7 x 1.5 x 11	1lb	N/A	N/A	N/A
900-0159-006	100 47871 00159 7	Master Pack (6 units)	4 x 12 x 12	6.25lbs	80	4	500lbs
900-0159-020	200 47871 00159 4	Cut Case (20 units)	15.75 x 21.75 x 12	20.8lbs	72	4	1500lbs

**Not for sale by individual unit



Gift Box UPC: 0-47871-05125-0

Part Number	I 2 of 5	Pack Quantity	Dimensions (w x d x h inches)	Weight	Case/Skid	Layers/Skid	Skid Weight
21005147	N/A	Individual	5.75 x 1.75 x 5.75	1lb	N/A	N/A	N/A
21005124	100 47871 05125 7	Master Pack (6 units)	6.25 x 12 x 6.25	6.2lbs	72	6	800lbs
21005125	200 47871 05125 4	Cut Case (40 units)	11.94 x 17.5 x 12.13	41lbs	24	3	850lbs



1394 South Third Street, Mebane NC 27302
 1-800-880-6788 • www.kiddeus.com

Distributed by:

Free Manuals Download Website

<http://myh66.com>

<http://usermanuals.us>

<http://www.somanuals.com>

<http://www.4manuals.cc>

<http://www.manual-lib.com>

<http://www.404manual.com>

<http://www.luxmanual.com>

<http://aubethermostatmanual.com>

Golf course search by state

<http://golfingnear.com>

Email search by domain

<http://emailbydomain.com>

Auto manuals search

<http://auto.somanuals.com>

TV manuals search

<http://tv.somanuals.com>