



# AC Wire-In Smoke Alarm

• 1235E

## Test/Reset Button

Tests smoke alarm circuitry and horn

## Red LED

Alarm mode

## Green LED

Presence of AC power



## Description

The Kidde 1235E is an AC powered, ionization smoke alarm that operates on a 120V power source. The 1235E offers a quick connect power harness making installation fast and easy. This smoke alarm includes an ionization sensor that detects best against fast flaming and other types of fires. The 1235E smoke alarm is easy to install and is suitable for all living areas and has a 5-year limited warranty.

## Consumer Benefits

The Kidde 1235E AC powered, wire-in smoke alarm gives you and your family an early warning of smoke and fire in your home. The 1235E can be used as a single station unit or it can be interconnected to up to 24 Kidde devices in a multiple station arrangement. The interconnect system should not exceed the NFPA interconnect limit of 12 smoke alarms and/or 18 initiation alarms. With 18 alarms interconnected, it is still possible to interconnect up to a total of 6 strobe and/or relay devices.

## Features and Benefits

- **Interconnectable** – Interconnect up to 24 Kidde devices.
- **Test Button** – Tests unit's electronic circuitry and horn.
- **Red LED** – Alarm mode.
- **Green LED** – Steady on presence of AC power.
- **Quick Connect Power Harness** – Makes installation fast and easy.



## Architectural and Engineering Specifications

The smoke alarm shall be Kidde Unit 1235 or approved equal. It shall be powered by a 120VAC, 60Hz source. The unit shall incorporate an ionization sensor with nominal sensitivity of 0.64%/ft. The temperature operation range shall be between 40°F (4°C) to 100°F (38°C) and the humidity operating range shall be 5% - 95% relative humidity.

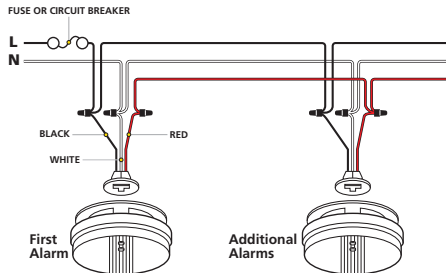
The smoke alarm can be installed on any standard single gang electrical box, up to a 4" octagon junction box. The electrical connection (to the alarm) shall be made with a plug-in connector. A maximum of 24 Kidde devices can be interconnected in a multiple station arrangement. The interconnect system must not exceed the NFPA (National Fire Protection Association) limit of 18 initiating devices, of which 12 can be smoke alarms. With 18 initiating devices (Smoke, heat, CO, etc.), interconnected, it is still possible to interconnect 6 strobe lights and/or relay modules. The alarm shall provide optional tamper resistance that deters removal of the unit from the wall or ceiling.

The alarm shall include a piezoelectric horn that is rated at 85 decibels at 10 feet. The unit shall incorporate 2 LED's. A green LED will be constantly "ON" when AC power is present and will flash until reset (alarm memory) to indicate which alarm was the originating alarm at the last incident. Pressing the test button will reset the alarm memory condition. A red LED will flash once every 30-40 seconds to indicate the alarm is operating properly and will flash once per every 1.5 seconds when the unit is alarming and will remain so until the air is cleared.

The unit shall at a minimum meet the requirements of UL217, NFPA72, (chapter 11 2002 edition) The State of California Fire Marshall, NFPA101 (One and two family dwellings), Federal Housing Authority (FHA, Housing and Urban Development (HUD).

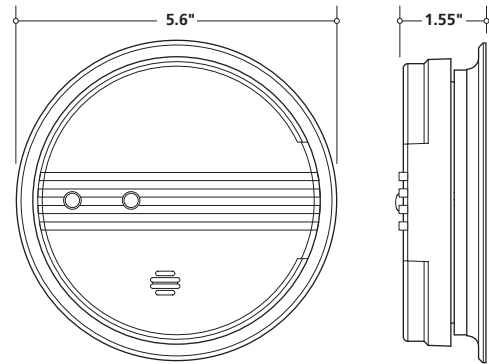
## Installation of Smoke Alarm

The smoke alarm should be installed to comply with all local codes having jurisdiction in your area, Article 760 of the National Electric Code, and NFPA 72. Make certain all alarms are wired to a single, continuous (non-switched) power line, which is not protected by a ground fault interrupter. A maximum of 1000 ft. of wire can be used in the interconnect system. Use standard UL listed household wire (18 gauge or larger as required by local codes).



## Technical Specifications

Unit Number:	1235E
UPC:	0-25417-12351-7
Power Source:	120VAC
Sensor:	Ionization
Audio Alarm:	85dB at 10ft
Temperature Range:	40°F (4.4°C) to 100°F (37.8°C)
Humidity Range:	5%-95% relative humidity (RH)
Size:	5.6" in diameter x 1.55" depth
Weight:	.6lbs
Interconnects:	Up to 24 Kidde devices
LED:	Green, receiving ac power Red, alarm mode
Warranty:	5 year limited



## Ordering Information

Gift Box UPC: 0-25417-12351-7

Part Number	I 2 of 5	Pack Quantity	Dimensions (w x d x h inches)	Weight	Case/Skid	Layers/Skid	Skid Weight
1235**	N/A	Individual	5.75 x 1.75 x 5.75	.6lbs	N/A	N/A	N/A
1235E	200 25417 12351 1	Master Pack (12 units)	5.25 x 10.5 x 10.75	7.2lbs	128	16	921.6lbs

\*\*Not for sale by individual unit



UNIT

MASTER PACK



1394 South Third Street, Mebane NC 27302  
1-800-880-6788 • www.kiddeus.com

Distributed by:

## Free Manuals Download Website

<http://myh66.com>

<http://usermanuals.us>

<http://www.somanuals.com>

<http://www.4manuals.cc>

<http://www.manual-lib.com>

<http://www.404manual.com>

<http://www.luxmanual.com>

<http://aubethermostatmanual.com>

Golf course search by state

<http://golfingnear.com>

Email search by domain

<http://emailbydomain.com>

Auto manuals search

<http://auto.somanuals.com>

TV manuals search

<http://tv.somanuals.com>