



Silhouette 120V AC/DC Wire-in Low Profile Smoke Alarm

Part Number 21007288

Model KN-SMFM-i

- Innovative low profile alarm design
- Ionization Sensing Technology
- One button design (operates Smart Hush™ and test)
Test verifies alarm operation
Hush silences nuisance alarms
- Sealed rechargeable battery backup (included)
will last the life of the alarm
- LED indicates alarm condition
- Alarm memory
- Pre-stripped wiring harness with tinned strands



Description

The Kidde Silhouette is a low profile AC/DC powered, ionization smoke alarm that operates on a 120V power source with a sealed rechargeable battery backup.

This alarm uses ionization sensing technology. Ionization sensing alarms may detect invisible fire particles (associated with flaming fires) sooner than photoelectric alarms. Photoelectric sensing alarms may detect visible particles (associated with smoldering fires) sooner than ionization alarms.

Kidde strongly recommends that both ionization and photoelectric smoke alarms be installed to help insure maximum detection of the various types of fire that can occur within the home.

This smoke alarm is available in a 4-piece cut case with tray for easy display. This unit is a UL Listed product with a 10-year limited warranty.



Install Confidence

Easy Installation

- Innovative low profile alarm fits in most common electrical 2-gang and plastic, round boxes with 3 1/2" hole spacing.
- Pre-stripped wiring harness with easy off cap does not require stripper tool. Tinned strands increase conductivity and wire nut grip.

Fewer Callbacks

- One button design for easy operation and less confusion. Operates Smart Hush™ and alarm test.
- Sealed rechargeable battery does not need to be replaced for the life of the alarm.

User-Friendly Features

- Battery backup provides protection in case of power failure.
- Unit can be interconnected with up to 24 total devices (12 smoke alarms and 6 heat alarms, CO alarms or similar devices). See user's guide for complete instructions.

silhouette

Architectural and Engineering Specifications

The smoke alarm shall be Kidde model KN-SMFM-i or approved equal. It shall be powered by a 120VAC, 60Hz source along with a rechargeable battery backup. The unit shall incorporate an ionization sensor with nominal sensitivity of .50 to .98%ft. The temperature operation range shall be between 40°F and 100°F (4.4°C and 37.8°C) and the humidity operating range shall be up to 85% relative humidity.

The smoke alarm can be installed in standard junction boxes listed below. The electrical connection (to the alarm) shall be made with a plug-in connector. A maximum of 24 Kidde devices can be interconnected in a multiple station arrangement. The interconnect system must not exceed the NFPA (National Fire Protection Association) limit of 18 initiating devices, of which 12 can be smoke alarms. With 18 initiating devices (smoke, heat, CO, etc.), interconnected, it is still possible to interconnect 6 strobe lights and or relay modules.

The alarm shall include a test button that will electronically simulate the presence of smoke and cause the unit to go into alarm. This sequence tests the unit's electronics, battery and horn to ensure proper operation.

The unit shall include a piezoelectric horn that is rated at 85 decibels at 10 feet. Single button operates both Smart Hush™ and alarm test for easy operation and less confusion. The unit shall also include a low battery warning utilizing a brief alarm chirp every 60 seconds for a minimum of seven (7) days.

The unit shall incorporate red and green LED indicators. The green LED indicates the status of the alarm. The red LED is a visual indicator of alarm and warning chirps.

Standby Condition: The green LED will be lit if on AC power or blink once every 30 seconds if on battery backup. **Alarm Condition:** When the alarm senses products of combustion and enters alarm the red LED will blink in unison with the sounder and the green LED will flash once every 2 seconds. The flashing LEDs and pulsating alarm will continue until the air is cleared. When the units are interconnected, only the green LED of the alarm(s) sensing smoke or is being tested (the originating unit) will flash. All other units in the interconnected system will sound an alarm and flash the red LED but the green LED will remain at its standby state. **Alarm Memory:** This smoke alarm is equipped with an alarm memory, which provides a visual indication when an alarm has been activated. The green LED will flash every 16 seconds to indicate the memory condition. **Smart Hush™ Mode:** The green LED will flash every 3 seconds but the alarm will not make any sound, indicating the smoke alarm is in the Smart Hush™ Mode.

The unit shall at a minimum meet the requirements of UL217, NFPA72, (chapter 11), The State of California Fire Marshall, NFPA 101 (One and two family dwellings) Federal Housing Authority (FHA), Housing and Urban Development (HUD). It shall also include a 10-year manufacturer's limited warranty.

Install Options

Square Box Octagon Box Round Box 2 Gang Box



Width of screw posts must not exceed .45"

Innovative low profile alarm fits in most common electrical 2-gang and plastic, round boxes with 3 1/2" hole spacing. Depth of box must exceed 2 1/8". Unit will displace 7.5 cubic inches.

Ordering Information

Ordering Number	UPC	I2F5	Pack Quantity	Dimensions (w x d x h inches)	Weight	Case/Skid	Layers/Skid	Skid Weight
21007288	0-47871-07288-0	100-47871-07288-7	Cut Case (4 units)	6.5 x 13.25 x 6	3 lbs	75	4	230 lbs

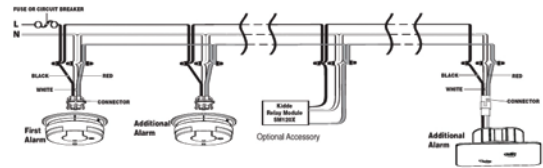
*Not for sale by individual unit



1016 Corporate Park Drive, Mebane NC 27302
 1-800-880-6788 • www.kidde.com

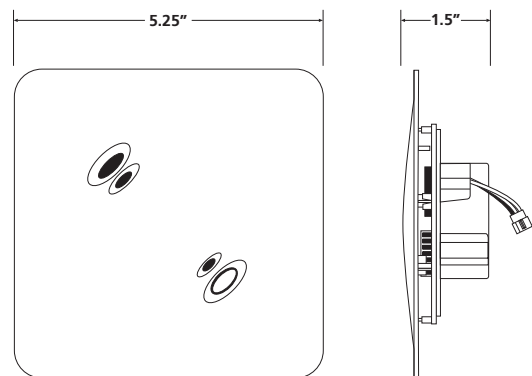
Installation of Smoke Alarm

The smoke alarm must be installed to comply with all local codes having jurisdiction in your area. All wiring shall be in accordance with articles 210 and 300.3(B) of the US National Electrical Code, ANSI / NFPA 70 and NFPA 72. The multiple station interconnect wiring must be in the same raceway as the AC power wiring. In addition the resistance if the interconnect wiring shall be a maximum of 10 ohms. Make certain all alarms are wired to a single, continuous (non-switched) power line, which is not protected by a ground fault interrupter. A maximum of 1000 ft. of wire can be used in the interconnect system. Use standard UL listed household wire as required by code.



Technical Specifications

Model:	KN-SMFM-i
UPC:	0-47871-07288-0
Power Source:	120VAC (80mA) with Rechargeable Battery Back Up
Sensor:	Ionization
Audio Alarm:	85dB at 10ft
Temperature Range:	40°F (4.4°C) to 100°F (37.8°C)
Humidity Range:	up to 85% relative humidity (RH)
Size:	5.25" width x 1.5" depth x (.5" installed)
Weight:	.5lb
Interconnects:	Up to 24 Kidde devices/18 initiating
Wiring:	Quick-connect plug with 6" pigtails
LED:	Red, visual alarm indicator Green, current state indicator
Warranty:	10 year limited



Distributed by:

Free Manuals Download Website

<http://myh66.com>

<http://usermanuals.us>

<http://www.somanuals.com>

<http://www.4manuals.cc>

<http://www.manual-lib.com>

<http://www.404manual.com>

<http://www.luxmanual.com>

<http://aubethermostatmanual.com>

Golf course search by state

<http://golfingnear.com>

Email search by domain

<http://emailbydomain.com>

Auto manuals search

<http://auto.somanuals.com>

TV manuals search

<http://tv.somanuals.com>