



# 120VAC Dual Mode Strobe Light for the Hearing Impaired

• SL177i

## Bright Strobe Light

Flashes to warn of a smoke, heat or carbon monoxide hazard.

## Green LED

Indicates AC power is being delivered to unit.



## Description

The Kidde SL177i is a 120VAC wire in unit that provides a visual warning when part of an interconnected system. This unit can be directly interconnected with Kidde smoke alarms, heat detectors and carbon monoxide alarms. When triggered by a smoke alarm or heat detector, it will produce a steady flash warning. When triggered by a carbon monoxide alarm it will produce an intermittent flash warning. The SL177i has a 5 year limited warranty and is UL Listed.

## Consumer Benefits

The Kidde SL177i, used in conjunction with a smoke, heat or carbon monoxide alarm, provides a bright visual signal to warn of a smoke, heat or CO hazard. The Kidde Strobe light benefits the hearing impaired, allowing a visual alert of a danger. This unit also includes a tamper resist pin that helps to deter thief and tampering.



## Architectural and Engineering Specifications

The strobe light shall be Kidde Unit SL177i or approved equal. It shall be powered by a 120VAC, 60Hz source. The temperature operation range shall be between 40°F and 100°F (4°C and 38°C). The strobe light can be installed on any standard single gang electrical box, up to a 4" octagon junction box. The electrical connection (to the alarm) shall be made with a plug-in connector. A maximum of 24 Kidde devices can be interconnected in a multiple station arrangement. The interconnect system must not exceed the NFPA (National Fire Protection Association) limit of 18 initiating devices (Smoke, heat, CO, etc) interconnected, it is still possible to interconnect 6 strobe lights and or relay modules. The alarm shall provide optional tamper resistance that deters removal of the unit from the wall or ceiling.

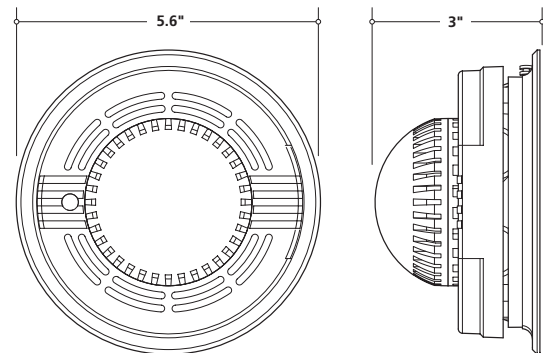
This unit shall include a bright candela strobe light with a flash rate of one (1) flash per second. This unit shall be interconnected with Kidde smoke alarms, heat detectors and/or carbon monoxide alarms. The unit shall at a minimum meet the requirements of UL217, NFPA72, (chapter 10 & 11 2002 edition) The State of California Fire Marshall, NFPA101 (One and two family dwellings, Federal Housing Authority (FHA), Housing and Urban Development (HUD), Americans with Disabilities Act (ADA).

## Technical Specifications

Unit Number:	SL177i
UPC:	0-25417-19129-5
Power Source:	120VAC, 60HZ
Temperature Range:	40°F to 100°F (4°C to 38°C)
Size:	5.6" in diameter x 3" depth
Weight:	1lb
Interconnects:	Up to 24 Kidde devices
Warranty:	5 year limited warranty

## Installation of Strobe Light

The strobe light should be installed to comply with all local codes having jurisdiction in your area, Article 760 of the National Electric Code, and NFPA 72. Make certain all alarms are wired to a single, continuous (non-switched) power line, which is not protected by a ground fault interrupter. A maximum of 1000 ft. of wire can be used in the interconnect system.



## Ordering Information

Gift Box UPC: 0-25417-19129-5

Part Number	I 2 of 5	Pack Quantity	Dimensions (w x d x h inches)	Weight	Case/Skid	Layers/Skid	Skid Weight
SL177i	N/A	Individual	5.75 x 3.25 x 6.75	1lb	N/A	N/A	N/A
SL177i	200 25417 19129 9	3 units	6.5 x 10.5 x 6.5	3lbs	120	5	360lbs



1394 South Third Street, Mebane NC 27302  
1-800-880-6788 • www.kiddeus.com

**Distributed by:**

## Free Manuals Download Website

<http://myh66.com>

<http://usermanuals.us>

<http://www.somanuals.com>

<http://www.4manuals.cc>

<http://www.manual-lib.com>

<http://www.404manual.com>

<http://www.luxmanual.com>

<http://aubethermostatmanual.com>

Golf course search by state

<http://golfingnear.com>

Email search by domain

<http://emailbydomain.com>

Auto manuals search

<http://auto.somanuals.com>

TV manuals search

<http://tv.somanuals.com>