

# Sirius II 2, 4 & 8 ZONE FIRE ALARM PANEL

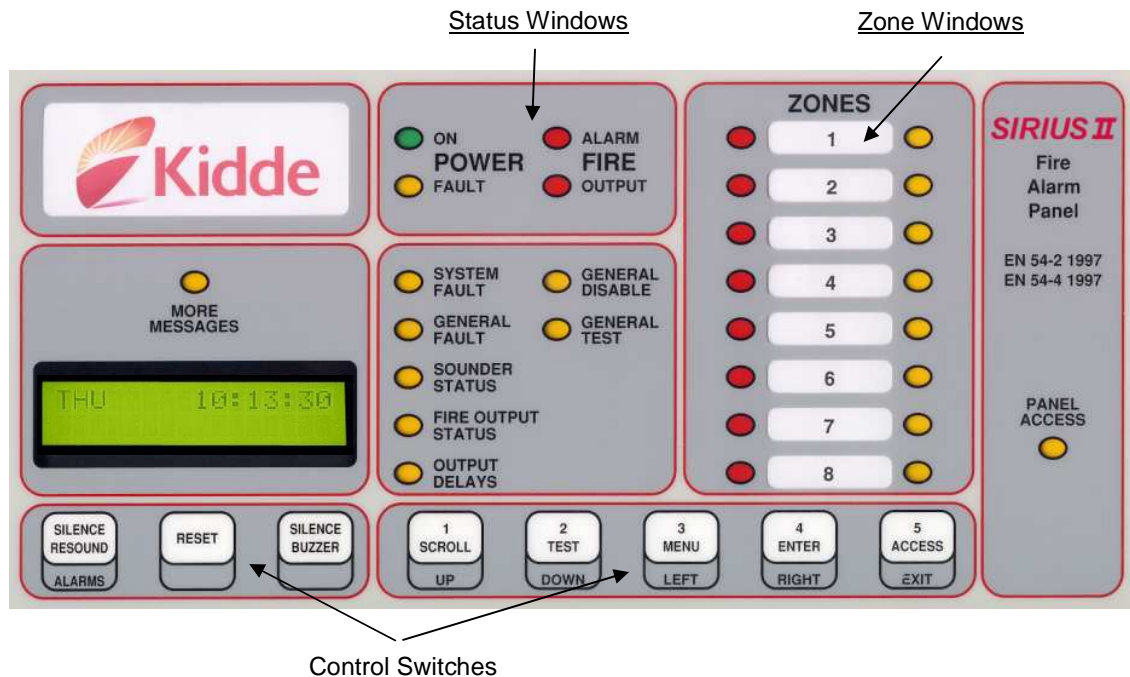
## USER GUIDE

### 1. GENERAL

The Sirius II fire alarm panel comes in 2, 4 and 8 zone versions. The panel is mains powered and also has two standby batteries (12 V, 7 Ah). The front panel features an LCD display, a zone window, status windows and user controls.

### 2. PANEL DISPLAY

The zone windows have an alarm light (red) and a fault light (yellow) next to each zone. The panel status windows have a single light next to each category. All lights are coloured yellow except the **POWER ON** light (green) and the **ALARM** light (red). The lower row contains the control switches used for programming, test and maintenance.



### 3. OPERATION

There are two levels of user access to the panel's controls. Access Level 1 is the normal operating condition, where with no zones disabled, the green **POWER ON** light is on and all other lights are off. The **TEST** button, which is used to test all of the lights in the panel display, is operative. All other controls are inoperative and are only available in Access Level 2. A pass code is required to enter Access Level 2.

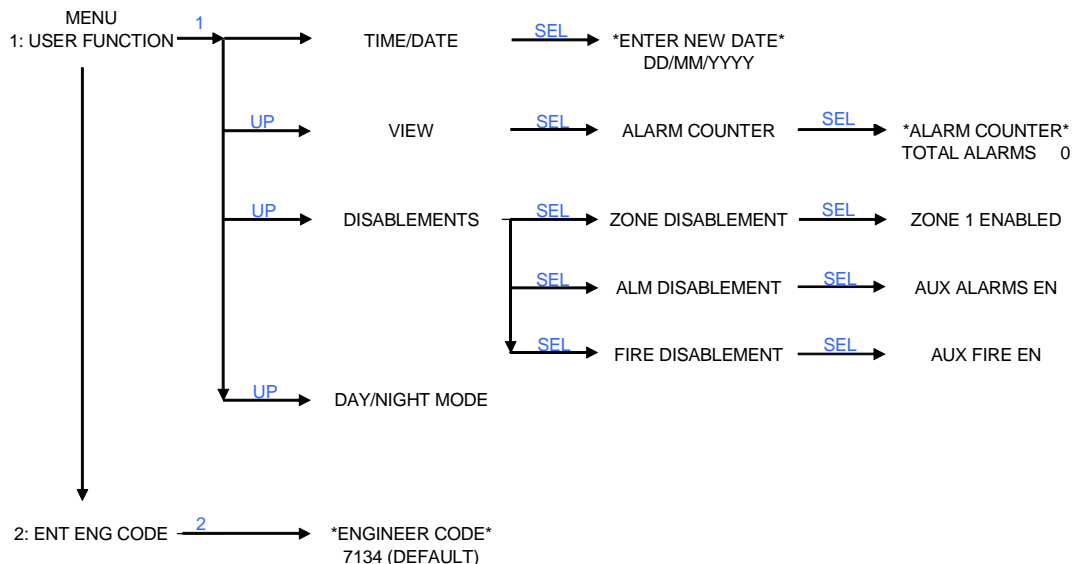
To enter Access Level 2, press the **ACCESS** button and, using the **UP**, **DOWN** and **ENTER** buttons, enter the pass code 7179. The yellow **PANEL ACCESS** light comes on. To revert to Access Level 1, press the **ACCESS** button twice.

**Note:** The panel can be configured for the internal buzzer to be disabled. All references to it in this User Guide assume that it is enabled. If you are unsure about whether the internal buzzer is enabled or not, contact your service provider.

The following features are available in Access Level 2:

- 3.1 The **SILENCE RESOUND ALARMS** button is used to silence or re-sound the alarms as required. Repeated pressing toggles between the two. In addition to silencing the sounders in the event of an alarm, this can be used to test the sounder circuits or evacuate the building as required.
- 3.2 The **RESET** button is used to reset the panel. If any fault and/or alarm conditions still exist, they will be displayed in the usual way and they will need to be cleared before the panel can be reset.
- 3.3 The **SILENCE BUZZER** button is used to silence the panel's internal buzzer.
- 3.4 The **SCROLL** button allows multiple messages (as indicated via the **MORE MESSAGES** light) to be viewed in the LCD display.
- 3.5 The **MENU** button gives access to additional features via the LCD display (the Access Level 2 menu structure is summarised below). After pressing the **MENU** button, press button **1** ("USER FUNCTION") and then use the **UP** or **DOWN** keys to select:

- TIME/DATE** Used to set the time and date.
- VIEW** This shows the total number of alarms registered by the panel since commissioning.
- DISABLEMENTS** This allows for a zone and/or the auxiliary alarm output (if installed) and/or the auxiliary fire output (if installed) to be disabled / re-enabled as required. Enter the sub-menu using **SEL (4)** and then **UP** or **DOWN** to reach ZONE DISABLEMENT, ALM DISABLEMENT or FIRE DISABLEMENT as required. Pressing **TOG (2)** toggles between enable and disable for each feature. To set a condition once selected, press **ENTER**. The GENERAL DISABLE light will be lit and, if a zone has been disabled, the relevant yellow zone light will also be lit.
- DAY/NIGHT MODE** This enables / disables the Day/Night mode. In this mode, when an alarm condition occurs, the panel's internal buzzer will sound, but the alarms will not sound for a pre-set period (programmed during commissioning). This allows time to determine the cause of the alarm before initiating an evacuation. To programme or change the delay period, contact your service provider.



#### 4. WHEN AN ALARM CONDITION OCCURS

When a fire condition is detected in a zone, the relevant red zone alarm light flashes, the red **ALARM** light flashes, the alarm sounder circuits are activated (unless programmed off or delayed via DAY/NIGHT mode) and the buzzer on the panel sounds. The LCD display will show ZONE(number) FIRE followed by the time at which the alarm was activated.

After the appropriate fire drill has been completed, to switch off the buzzer, enter Access Level 2 and press the **SILENCE BUZZER** button. The buzzer stops, the zone light and the **ALARM** light continue flashing and the audible alarm circuits continue to sound (unless programmed off). When the fire condition has been rectified, to reset the system:

- In Access Level 2, press the **SILENCE ALARMS** button. The audible alarms stop, but the red zone alarm light and the **ALARM** light stay on. If another zone alarm condition occurs, the new red zone alarm light and the **ALARM** light will flash, the buzzer will sound and, unless programmed off, audible alarms will sound and the original red zone alarm light will stay on.

**Note: It is not possible to reset the panel until the SILENCE ALARMS button has been pressed.**

- When all zone fire conditions have been rectified, press the **RESET** button.

If the fire condition still exists, the panel will revert to the alarm condition. To reset the panel it may be necessary to clear smoke or heat from the detectors and to replace the glass in the manual fire call point.

#### 5. WHEN A FAULT CONDITION OCCURS

If a fault occurs in one or more zones, the relevant yellow zone fault light flashes, the yellow **GENERAL FAULT** light flashes and the buzzer on the panel sounds intermittently. If a fault in the Sirius II panel (system fault) occurs, the yellow **SYSTEM FAULT** light flashes, the yellow **GENERAL FAULT** light flashes and the buzzer on the panel sounds intermittently. If a zone and/or system fault is indicated:

- Enter Access Level 2.
- Press the **SILENCE BUZZER** button (the buzzer stops, the yellow **GENERAL FAULT** and/or **SYSTEM FAULT** lights continue flashing). The buzzer will automatically re-sound if any more fault or alarm conditions occur
- Contact your authorised service provider to rectify the fault
- When the fault has been rectified, reset the panel by pressing **RESET**.

#### 6. CARE AND MAINTENANCE

Repair and routine maintenance of Sirius II should only be carried out by suitably qualified service personnel in accordance with all applicable local and national regulations, standards and working practices. However, the user should:

- Ensure that all performance checks and maintenance operations carried out on the fire alarm system are recorded in the Maintenance Record (page 4).
- Examine the exterior of the panel and enclosure regularly for damage or loose cable glands and report any faults to their service provider.
- On a regular basis or as directed by their service provider, carry out a panel lights and buzzer test. Notify any defects to their service provider.

# MAINTENANCE RECORD

DATE	MAINTENANCE OPERATION	CARRIED OUT BY

## Free Manuals Download Website

<http://myh66.com>

<http://usermanuals.us>

<http://www.somanuals.com>

<http://www.4manuals.cc>

<http://www.manual-lib.com>

<http://www.404manual.com>

<http://www.luxmanual.com>

<http://aubethermostatmanual.com>

Golf course search by state

<http://golfingnear.com>

Email search by domain

<http://emailbydomain.com>

Auto manuals search

<http://auto.somanuals.com>

TV manuals search

<http://tv.somanuals.com>