



Service Manual / Manuel de Service

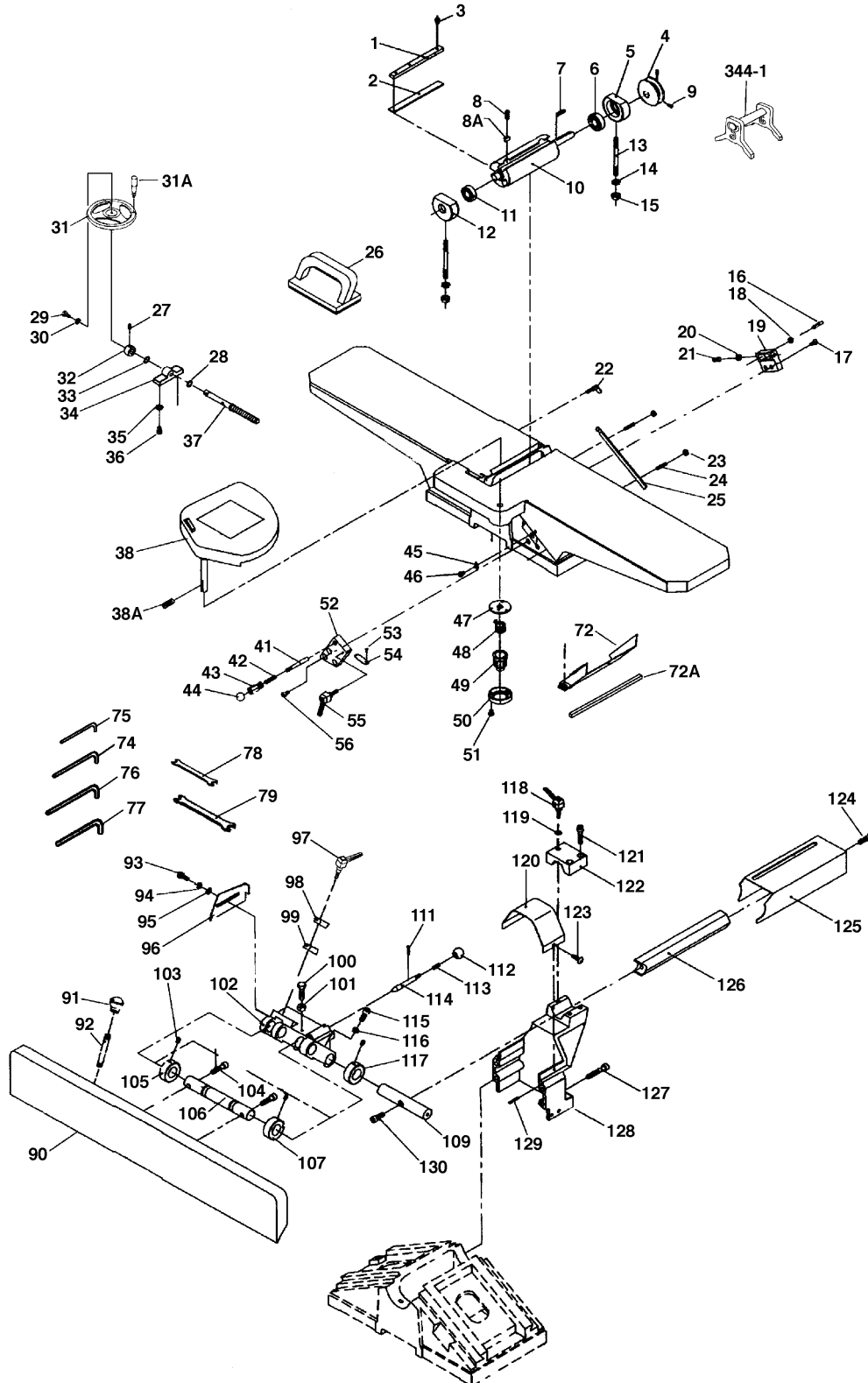
6" Woodworking Jointer Dégauchisseuse 6"



Revised/Revisé 08/2008

Main Diagram / Diagramme Principale

KC-150C





Service Manual / Manuel de Service

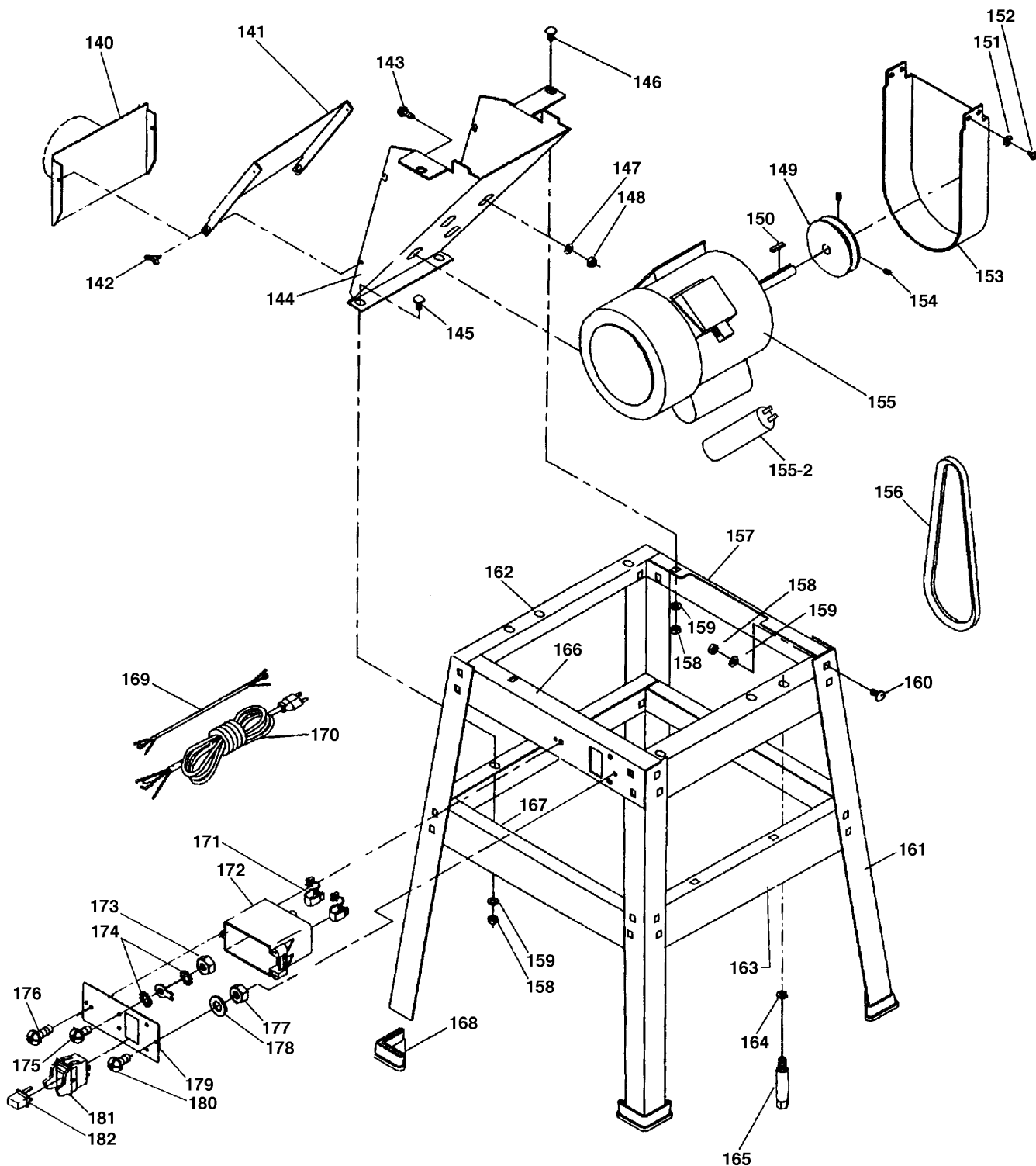
6" Woodworking Jointer Dégauchisseuse 6"



Revised/Revisé 08/2008

Stand & Motor Diagram / Diagramme du Support et du Moteur

KC-150C





Parts Pricing List / Liste de Prix des Pièces

KC-150C

Diag.	Order # Com.	English Description	Description Française	Qty./Qté.	Price/Prix
1	4501500010	KNIFE LOCKING BAR	BARRE DE VERROUILLAGE	3	\$6.04
2	KKC-6	SET OF H.S.S. KNIVES (3)	JEU DE COUTEAUX EN ACIER (3)	1	-
3	4501500030	LOCKING BOLT	BOULON DE VERROUILLAGE	12	\$2.13
4	4501500040	CUTTERHEAD PULLEY	POULIE DE LA TETE DE COUPE	1	\$15.93
5	4501500050	BEARING HOUSING	BOITIER DU ROULEMENT	1	\$11.44
6	4501500060	BALL BEARING	ROULEMENT A BILLES	1	\$12.59
7	4501500070	KEY	CLE DE RETENUE	1	\$2.13
8	4501500080	SET SCREW	VIS SANS TETE	6	\$1.78
8A	4501500081	KNIFE LIFTER SLEEVE	BAGUE D'ELEVATION POUR COUTEAU	6	\$3.39
9	4501500090	SET SCREW	VIS SANS TETE	1	\$1.67
10	4501500100	CUTTERHEAD (6")	TETE DE COUPE (6")	1	\$90.68
11	4501500110	BALL BEARING	ROULEMENT A BILLES	1	\$11.44
12	4501500120	BEARING HOUSING	BOITIER DU ROULEMENT	1	\$11.44
13	4501500130	BEARING HOUSING STUD	TIGE DU BOITIER DU ROULEMENT	2	\$5.46
14	4501500140	SPRING WASHER	RONDELLE A RESSORT	2	\$1.55
15	4501500150	HEX. NUT	ECROU HEXAGONAL	2	\$1.73
16	4501500160	STOP SCREW	VIS D'ARRET	1	\$3.28
17	4501500170	CAP SCREW	BOULON A TETE CYLINDRIQUE	2	\$1.73
18	4501500180	HEX. NUT	ECROU HEXAGONAL	1	\$1.61
19	4501500190	STOP SCREW BLOCK	SUPPORT DE LA VIS D'ARRET	1	\$7.88
20	4501500200	HEX. NUT	ECROU HEXAGONAL	2	\$1.61
21	4501500210	SPECIAL SET SCREW	VIS SANS TETE SPECIALE	2	\$2.47
22	4501500220	LOCKING HANDLE	POIGNEE DE VERROUILLAGE	1	\$4.54
23	4501500230	HEX. NUT	ECROU HEXAGONAL	3	\$1.61
24	4501500240	SPECIAL SET SCREW	VIS SANS TETE SPECIALE	3	\$2.47
25	4501500250	GIB	GLISSIERE	2	\$5.35
26	K-1400	PUSH BLOCK	BLOC POUSSOIR	2	-
27	4501500270	SET SCREW	VIS SANS TETE	2	\$1.67
28	4501500280	BRASS WASHER	RONDELLE EN BRONZE	2	\$1.73
29	4501500290	PAN HD. SCREW	VIS A TETE BOMBEE	2	\$1.61
30	4501500300	WASHER	RONDELLE	2	\$1.55
31	4501500310	HANDWHEEL	MANIVELLE	2	\$22.94
31A	4501500311	HANDWHEEL HANDLE	POIGNEE DE LA MANIVELLE	2	\$10.18
32	4501500320	BUSHING	BAGUE	2	\$3.05
33	4501500330	BRASS WASHER	RONDELLE EN BRONZE	2	\$1.73
34	4501500340	SHAFT BRACKET	SUPPORT DE LA TIGE FILETEE	2	\$10.06
35	4501500350	SPRING WASHER	RONDELLE A RESSORT	4	\$1.67
36	4501500360	CAP SCREW	BOULON A TETE CYLINDRIQUE	4	\$3.05
37	4501500370	THREADED SHAFT	TIGE FILETEE	2	\$14.55
38	4501500380	CUTTERHEAD GUARD	PROTECTEUR DE LA TETE DE COUPE	1	\$29.15
38A	4501500381	SET SCREW	VIS SANS TETE	1	\$1.73
41	4501500410	INDEX PIN	TIGE D'INDEXATION	1	\$5.35
42	4501500420	COMPRESSION SPRING	RESSORT A COMPRESSION	1	\$2.70
43	4501500430	PLUNGER HOUSING	BOITIER DE LA TIGE D'INDEXATION	1	\$5.69
44	4501500440	BALL KNOB	BOUTON ROND	1	\$3.16
45	4501500450	POINTER	INDICATEUR	1	\$2.01
46	4501500460	PAN HD. SCREW	VIS A TETE BOMBEE	1	\$1.55

Pricing subject to change without prior notice. / Prix sujet à changement sans préavis.



Parts Pricing List / Liste de Prix des Pièces

KC-150C

Diag.	Order # Com.	English Description	Description Française	Qty./Qté.	Price/Prix
47	4501500470	ROUND PLATE	PLAQUE RONDE	1	\$3.28
48	4501500480	TORSION SPRING	RESSORT A TORSION	1	\$4.31
49	4501500490	SPRING ADAPTOR	ADAPTATEUR DU RESSORT	1	\$4.31
50	4501500500	RETAINER	ANNEAU DE RETENTION	1	\$4.43
51	4501500510	PAN HD. SCREW	VIS A TETE BOMBEE	3	\$1.67
52	4501500520	PRE-ADJUSTING BRACKET	SUPPORT DE TIGE A PRE-AJUSTEMENT	1	\$12.48
53	4501500530	RIVET	RIVET	2	\$1.55
54	4501500540	SCALE	EHELLE DE PROFONDEUR	1	\$3.39
55	4501500550	LOCKING LEVER	POIGNEE DE VERROUILLAGE	1	\$9.14
56	4501500560	CAP SCREW	BOULON A TETE CYLINDRIQUE	3	\$1.73
72	4501500720	CHIP DEFLECTOR	DEFLECTEUR DE COPEAUX	1	\$4.89
72A	4501500721	FOAM SEAL	JOINT D'ETANCHEITE EN MOUSSE	1	\$2.13
74	4501500740	HEX. KEY	CLE HEXAGONAL	1	\$2.93
75	4501500750	HEX. KEY	CLE HEXAGONAL	1	\$2.59
76	4501500760	HEX. KEY	CLE HEXAGONAL	1	\$2.70
77	4501500770	HEX. KEY	CLE HEXAGONAL	1	\$2.93
78	4501500780	OPEN END WRENCH	CLE OUVERTE	1	\$4.43
79	4501500790	OPEN END WRENCH	CLE OUVERTE	1	\$4.54
90	4501500900	FENCE BODY	GUIDE D'APPUI	1	\$109.25
91	4501500910	KNOB	BOUTON	1	\$3.39
92	4501500920	FENCE BODY STUD	TIGE FILETEE DU GUIDE	1	\$5.35
93	4501500930	SPECIAL HEX. BOLT	BOULON HEXAGONAL SPECIAL	1	\$2.59
94	4501500940	WAVE WASHER	RONDELLE ONDULEE	1	\$1.67
95	4501500950	WAVE WASHER	RONDELLE ONDULEE	1	\$1.90
96	4501500960	SETTING PLATE	GARDE	1	\$6.50
97	4501500970	LOCKING LEVER	LEVIER DE VERROUILLAGE	1	\$11.10
98	4501500980	LOCKING BLOCK	BLOC DE VERROUILLAGE	1	\$4.43
99	4501500990	LOCKING BLOCK (THREADED)	BLOC DE VERROUILLAGE (FILETEE)	1	\$5.00
100	4501501000	HEX. BOLT	BOULON HEXAGONAL	1	\$2.01
101	4501501010	HEX. NUT	ECROU HEXAGONAL	1	\$1.61
102	4501501020	FENCE BRACKET	SUPPORT DU GUIDE	1	\$45.71
103	4501501030	SPECIAL SET SCREW	VIS SANS TETE SPECIALE	3	\$2.13
104	4501501040	CAP SCREW	BOULON A TETE CYLINDRIQUE	2	\$1.90
105	4501501050	BUSHING	BAGUE	1	\$5.69
106	4501501060	PIVOT SHAFT	TIGE DE PIVOTEMENT	1	\$10.18
107	4501501070	INDEX BUSHING	BAGUE D'INDEXATION	1	\$5.69
109	4501501090	PIVOT SHAFT	TIGE DE PIVOTEMENT	1	\$7.53
111	4501501110	SPRING PIN	GOUPILLE A RESSORT	1	\$1.67
112	4501501120	BALL KNOB	BOUTON ROND	1	\$3.28
113	4501501130	COMPRESSION SPRING	RESSORT A COMPRESSION	1	\$3.16
114	4501501140	INDEX ROD	TIGE D'INDEXATION	1	\$4.54
115	4501501150	CAP SCREW	BOULON A TETE CYLINDRIQUE	1	\$3.05
116	4501501160	HEX. NUT	ECROU HEXAGONAL	1	\$1.61
117	4501501170	INDEX BUSHING	BAGUE D'INDEXATION	1	\$6.27
118	4501501180	LOCKING LEVER	LEVIER DE VERROUILLAGE	1	\$11.10
119	4501501190	WASHER	RONDELLE	1	\$1.61
120	4501501200	COVER	COUVERCLE	1	\$6.50

Pricing subject to change without prior notice. / Prix sujet à changement sans préavis.



Parts Pricing List / Liste de Prix des Pièces

KC-150C

Diag.	Order # Com.	English Description	Description Française	Qty./Qté.	Price/Prix
121	4501501210	CAP SCREW	BOULON A TETE CYLINDRIQUE	2	\$2.24
122	4501501220	RETAINING BRACKET	SUPPORT DE RETENU	1	\$6.15
123	4501501230	PAN HD. SCREW	VIS A TETE BOMBEE	2	\$1.55
124	4501501240	CAP SCREW	BOULON A TETE CYLINDRIQUE	1	\$1.73
125	4501501250	SAFETY GUARD	PROTECTEUR DE SECURITE	1	\$12.25
126	4501501260	EXTENSION BAR	BARRE D'EXTENSION	1	\$33.06
127	4501501270	CAP SCREW	BOULON A TETE CYLINDRIQUE	4	\$3.05
128	4501501280	MAIN SUPPORT BRACKET	SUPPORT PRINCIPAL	1	\$102.29
129	4501501290	SPRING PIN	GOUPILLE A RESSORT	1	\$1.67
130	4501501300	CAP SCREW	BOULON A TETE CYLINDRIQUE	1	\$2.01
140	4501501400	DUST OUTLET	SORTIE POUR COLLECTEUR	1	\$9.03
141	4501501410	DUST CHUTE COVER	COUVERCLE DE LA DESCENTE	1	\$6.84
142	4501501420	WING SCREW	VIS PAILLON	2	\$2.47
143	4501501430	CARRIAGE BOLT	BOULON A CARROSSERIE	4	\$2.13
144	4501501440	DUST CHUTE	DESCENTE DES COPEAUX	1	\$38.93
145	4501501450	CARRIAGE BOLT	BOULON A CARROSSERIE	2	\$2.01
146	4501501460	CARRIAGE BOLT	BOULON A CARROSSERIE	2	\$2.01
147	4501501470	WASHER	RONDELLE	4	\$1.61
148	4501501480	HEX. NUT	ECROU HEXAGONAL	4	\$1.55
149	4501501490	MOTOR PULLEY	POULIE DU MOTEUR	1	\$17.08
150	4501501500	KEY	CLE DE RETENUE	1	\$1.78
151	4501501510	SPRING WASHER	RONDELLE A RESSORT	4	\$1.55
152	4501501520	PAN HD. SCREW	VIS A TETE BOMBEE	4	\$1.55
153	4501501530	BELT COVER	COUVERCLE /COURROIE	1	\$22.71
154	4501501540	CAP SCREW	VIS SANS TETE	2	\$1.61
155	4501501550	MOTOR	MOTEUR	1	\$228.85
155-2	4501501552	STARTING CAPACITOR	CONDENSATEUR DE DEMARRAGE	1	\$39.04
156	4501501560	V-BELT	COURROIE EN "V"	1	\$12.59
157	4501501570	TOP BACK BRACE	SUPPORT DU HAUT (ARRIERE)	1	\$11.44
158	4501501580	HEX. NUT	ECROU HEXAGONAL	36	\$1.55
159	4501501590	WASHER	RONDELLE	36	\$1.61
160	4501501600	CARRIAGE BOLT	BOULON A CARROSSERIE	32	\$2.01
161	4501501610	LEG	JAMBAGE	4	\$19.49
162	4501501620	TOP SIDE BRACE	SUPPORT DU HAUT (COTE)	2	\$9.60
163	4501501630	BOTTOM SIDE BRACE	SUPPORT DU BAS (COTE)	2	\$12.02
164	4501501640	SPRING WASHER	RONDELLE A RESSORT	3	\$1.55
165	4501501650	LOCKING STUD	BOULON DE VERROUILLAGE	3	\$6.15
166	4501501660	TOP FRONT BRACE	SUPPORT DU HAUT (AVANT)	1	\$11.44
167	4501501670	BOTTOM BRACE (FRONT & BACK)	SUPPORT DU BAS (AVANT ET ARRIERE)	2	\$13.28
168	4501501680	PLASTIC FOOT	PIED EN PLASTIQUE	4	\$3.28
169	4501501690	MOTOR CORD	CORDON DU MOTEUR	1	\$3.05
170	4501501700	POWER CORD	CORDON D'ALIMENTATION	1	\$22.94
171	4501501710	STRAIN RELIEF	ATTACHE FIL	2	\$2.59
172	4501501720	SWITCH BOX	BOITE D'INTERRUPTEUR	1	\$7.88
173	4501501730	HEX. NUT	ECROU HEXAGONAL	1	\$1.55
174	4501501740	TOOTH WASHER	RONDELLE DENTELEE	2	\$1.67
175	4501501750	PAN HD. SCREW	VIS A TETE BOMBEE	2	\$1.55

Pricing subject to change without prior notice. / Prix sujet à changement sans préavis.



Parts Pricing List / Liste de Prix des Pièces

KC-150C

Diag.	Order # Com.	English Description	Description Française	Qty./Qté.	Price/Prix
176	4501501760	TAPPING SCREW	VIS AUTOTARAUDEUSE	3	\$1.50
177	4501501770	HEX. NUT	ECROU HEXAGONAL	2	\$1.55
178	4501501780	WASHER	RONDELLE	2	\$1.67
179	4501501790	SWITCH BOX COVER	COUVERCLE DE LA BOITE ELECTR,	1	\$4.43
180	4501501800	PAN HD. SCREW	VIS A TETE BOMBEE	2	\$1.55
181	4501501810	SWITCH (2 PRONG)	INTERRUPTEUR (2 PATTES)	1	\$7.65
182	4501501820	SAFETY KEY	CLE DE SECURITE	1	\$3.39
344-1	4501503441	COMP. KNIFE GAUGE & ROD ASS'Y	JAUGES A COUTEAUX ET TIGE ASS.	1	\$22.94
544-4	4501505444	HARDWARE BAG FOR STAND	SAC DE QUINCAILLERIE POUR SUPP.	1	\$91.60
555-2	4501505552	COMPLETE STAND	SUPPORT COMPLET	1	\$137.71
555-4	4501505554	KEY ACCESSORY BAG	SAC DE CLES ASSORTIES	1	\$16.04
	450150MBIL	BILINGUAL MANUAL KC-150C	MANUEL BILINGUE KC-150C	1	\$15.00

Pricing subject to change without prior notice. / Prix sujet à changement sans préavis.

Free Manuals Download Website

<http://myh66.com>

<http://usermanuals.us>

<http://www.somanuals.com>

<http://www.4manuals.cc>

<http://www.manual-lib.com>

<http://www.404manual.com>

<http://www.luxmanual.com>

<http://aubethermostatmanual.com>

Golf course search by state

<http://golfingnear.com>

Email search by domain

<http://emailbydomain.com>

Auto manuals search

<http://auto.somanuals.com>

TV manuals search

<http://tv.somanuals.com>