



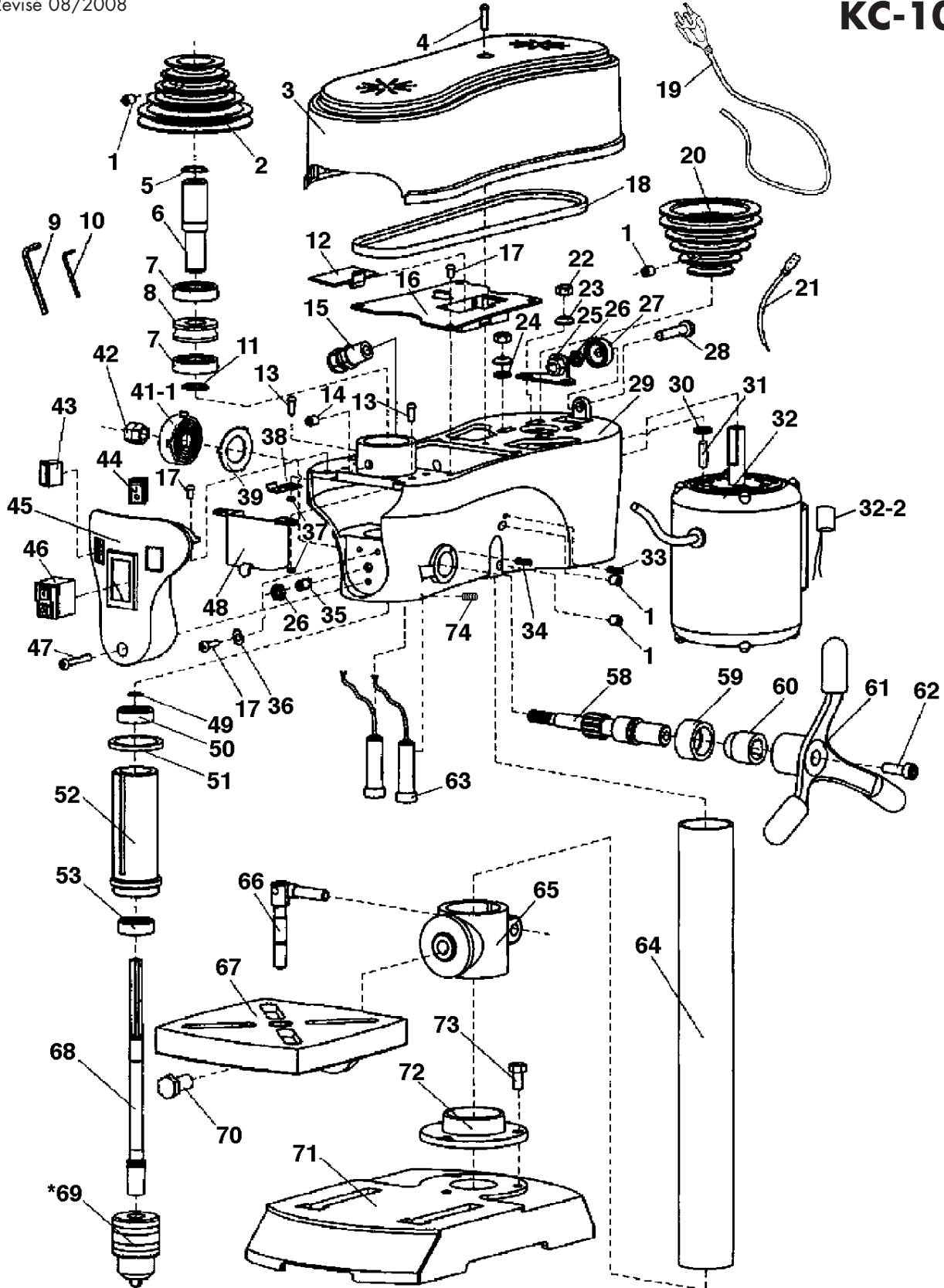
Service Manual / Manuel de Service

8" Drill Press with Dual Laser Guide System Perceuse à Colonne 8" avec Guide de Laser Double



Revised/Revisé 08/2008

KC-1088L





Parts Pricing List / Liste de Prix des Pièces

KC-1088L

Diag.	Order # Com.	English Description	Description Française	Qty./Qté.	Price/Prix
1	4010880010	SET SCREW	VIS SANS TETE	4	\$2.01
2	4010880020	SPINDLE PULLEY	POULIE DE L'ARBRE	1	\$19.49
3	4010880030	PULLEY COVER	COUVERCLE DES POULIES	1	\$13.74
4	4010880040	SCREW	VIS	1	\$1.55
5	4010880050	RETAINING RING	ANNEAU DE RETENU	1	\$1.90
6	4010880060	PULLEY INSERT	MANCHON	1	\$11.44
7	4010880070	BALL BEARING	ROULEMENT A BILLES	2	\$10.29
8	4010880080	SPACER	ESPACEUR	1	\$3.16
9	4010880090	HEX. KEY	CLE HEXAGONALE	1	\$2.70
10	4010880100	HEX. KEY	CLE HEXAGONALE	1	\$3.05
11	4010880110	RETAINING RING	ANNEAU DE RETENU	1	\$1.67
12	4010880120	BATTERY COVER	COUVERCLE DU COMP. DES BATTERIES	1	\$3.28
13	4010880130	SCREW	VIS	4	\$1.55
14	4010880140	SET SCREW	VIS SANS TETE	1	\$1.32
15	4010880150	STRAIN RELIEF	ATTACHE CORDON	1	\$1.44
16	4010880160	BATTERY COMPARTMENT	COMPARTIMENT DES BATTERIES	1	\$11.21
17	4010880170	SCREW	VIS	7	\$1.55
18	4010880180	V-BELT	COURROIE EN V	1	\$10.29
19	4010880190	POWER CORD	CORDON D'ALIMENTATION	1	\$8.91
20	4010880200	MOTOR PULLEY	POULIE DU MOTEUR	1	\$20.07
21	4010880210	LEAD WIRE	FIL DE JONCTION	1	\$2.82
22	4010880220	NUT	ECROU	4	\$1.55
23	4010880230	SPRING WASHER	RONDELLE A RESSORT	4	\$1.44
24	4010880240	WASHER	RONDELLE	4	\$1.44
25	4010880250	MOTOR ADJUST PLATE	PLAQUE D'AJUSTEMENT	1	\$5.35
26	4010880260	HEX. NUT	ECROU HEXAGONAL	1	\$1.44
27	4010880270	BELT TENSION KNOB	BOUTON DE TENSION	1	\$3.28
28	4010880280	MOTOR STOP SHAFT	TIGE D'ARRET FILETEE	1	\$3.39
29	4010880290	HEAD	TETE	1	\$41.23
30	4010880300	WASHER	RONDELLE	4	\$1.44
31	4010880310	THREADED SHAFT	TIGE FILETEE	4	\$2.24
32	4010880320	MOTOR	MOTEUR	1	\$63.25
32-2	4010880322	RUNNING CAPACITOR	CONDENSATEUR D'OPERATION	1	\$21.79
33	4010880330	SPRING PIN	GOUPILLE A RESSORT	1	\$1.32
34	4010880340	SPRING PIN	GOUPILLE A RESSORT	1	\$1.32
35	4010880350	SPECIAL SCREW	VIS SPECIALE	1	\$1.78
36	4010880360	SPRING WASHER	RONDELLE A RESSORT	1	\$1.32
37	4010880370	WASHER	RONDELLE	2	\$1.32
38	4010880380	CORD HOLDER	ATTACHE CORDON	1	\$2.01
39	4010880390	SPRING RETAINER	RETENEUR DE RESSORT	1	\$1.90
41-1	4010880411	SPRING TENSION ASS'Y	RESSORT ASSEMBLE	1	\$9.14
42	4010880420	THIN HEX. NUT	ECROU HEXAGONAL MINCE	2	\$2.13
43	4010880430	POWER INDICATOR	INDICATEUR DE COURANT	1	\$3.39
44	4010880440	LASER ON/OFF SWITCH	INTERRUPTEUR POUR LASER	1	\$7.76
45	4010880450	SWITCH HOUSING	BOITIER DE L'INTERRUPTEUR	1	\$10.29
46	4010880460	SWITCH (2 PRONG)	INTERRUPTEUR (2 PATTES)	1	\$7.65
47	4010880470	SCREW	VIS	1	\$1.55

Pricing subject to change without prior notice. / Prix sujet à changement sans préavis.



Parts Pricing List / Liste de Prix des Pièces

KC-1088L

Diag.	Order # Com.	English Description	Description Française	Qty./Qté.	Price/Prix
48	4010880480	INSIDE COVER	COUVERCLE INTERIEUR	1	\$2.70
49	4010880490	RETAINING RING/SHAFT	ANNEAU DE RETENU/TIGE	1	\$1.55
50	4010880500	BALL BEARING	ROULEMENT A BILLES	1	\$10.06
51	4010880510	RUBBER RING	ANNEAU DE CAOUTCHOUC	1	\$2.70
52	4010880520	QUILL	MANCHON	1	\$18.23
53	4010880530	BALL BEARING	ROULEMENT A BILLES	1	\$10.87
58	4010880580	PINION SHAFT	TIGE PIGNON	1	\$19.26
59	4010880590	BUSHING SCALE	BAGUE AVEC ECHELLE	1	\$4.43
60	4010880600	CONE RING	ANNEAU EN CONE	1	\$3.16
61	4010880610	HANDLES	POIGNEES	1	\$12.59
62	4010880620	CAP SCREW	BOULON A TETE CYLINDRIQUE	1	\$1.55
63	4010880630	LASER CYLINDER	CYLINDRE LASER	2	\$17.08
64	4010880640	COLUMN	COLONNE	1	\$22.94
65	4010880650	TABLE SUPPORT	SUPPORT DE LA TABLE	1	\$21.68
66	4010880660	TABLE CLAMP	POIGNEE DE VERROUILLAGE	1	\$7.99
67	4010880670	SQUARE TABLE	TABLE CARRE	1	\$38.47
68	4010880680	SPINDLE	ARBRE	1	\$18.23
69	KDC-12	CHUCK	MANDRIN	1	-
70	4010880700	HEX. BOLT	BOULON HEXAGONAL	1	\$2.13
71	4010880710	BASE	SOCLE	1	\$34.44
72	4010880720	COLUMN SUPPORT	SUPPORT DE COLONNE	1	\$6.50
73	4010880730	HEX. BOLT	BOULON HEXAGONAL	3	\$1.78
74	4010880740	SET SCREW	VIS SANS TETE	2	\$1.67
	401088MBIL	BILINGUAL MANUAL KC-1088L	MANUEL BILINGUE KC-1088L	1	\$15.00

Pricing subject to change without prior notice. / Prix sujet à changement sans préavis.

Free Manuals Download Website

<http://myh66.com>

<http://usermanuals.us>

<http://www.somanuals.com>

<http://www.4manuals.cc>

<http://www.manual-lib.com>

<http://www.404manual.com>

<http://www.luxmanual.com>

<http://aubethermostatmanual.com>

Golf course search by state

<http://golfingnear.com>

Email search by domain

<http://emailbydomain.com>

Auto manuals search

<http://auto.somanuals.com>

TV manuals search

<http://tv.somanuals.com>