



# Service Manual / Manuel de Service

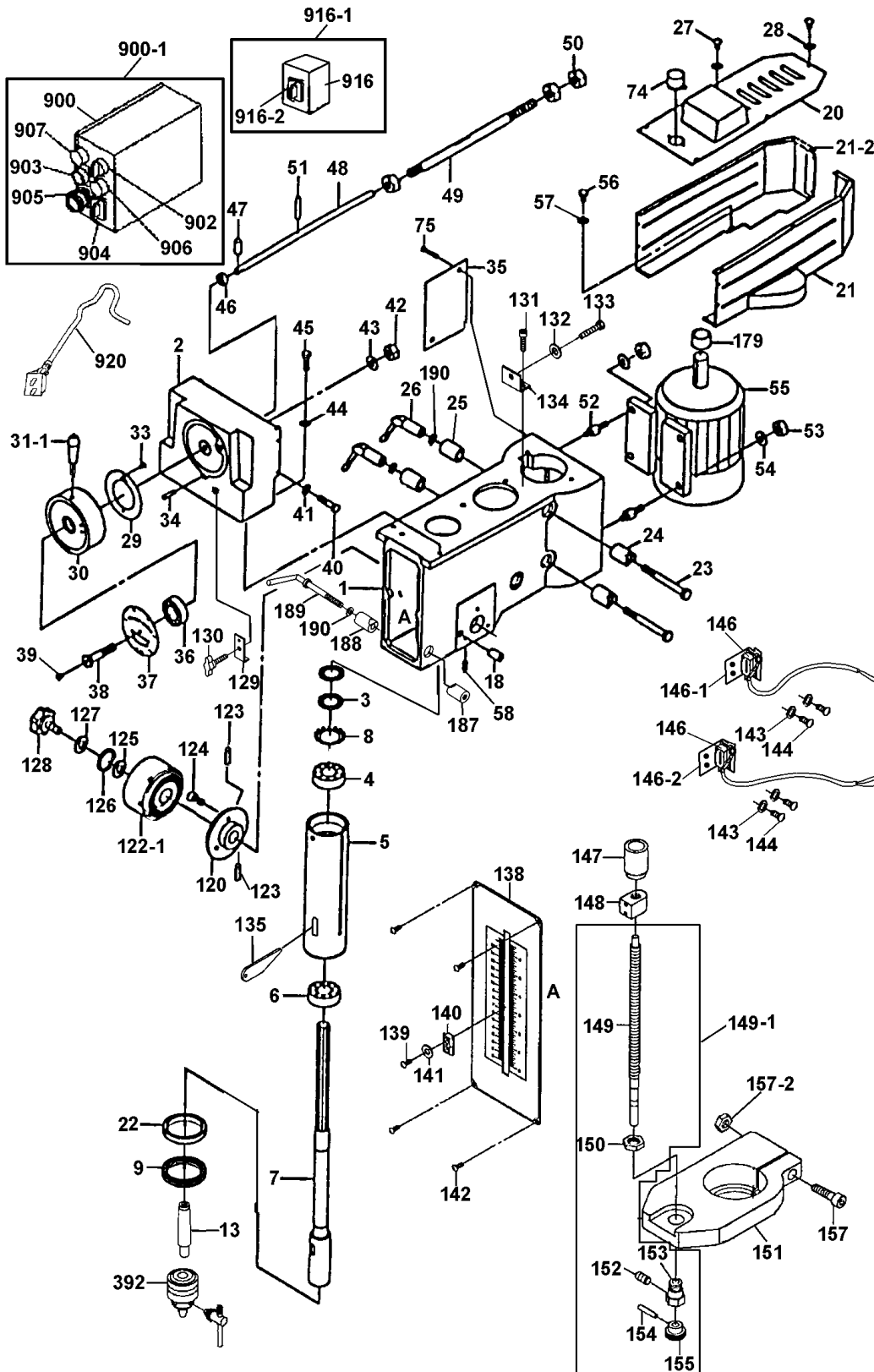
## 18" Variable Speed Drilling Machine Perceuse à Colonne à Vitesse Variables 18"



Revised/Revisé 08/2008

### Head Diagram/Diagramme de la Tête

# KC-401V2F-5





# Service Manual / Manuel de Service

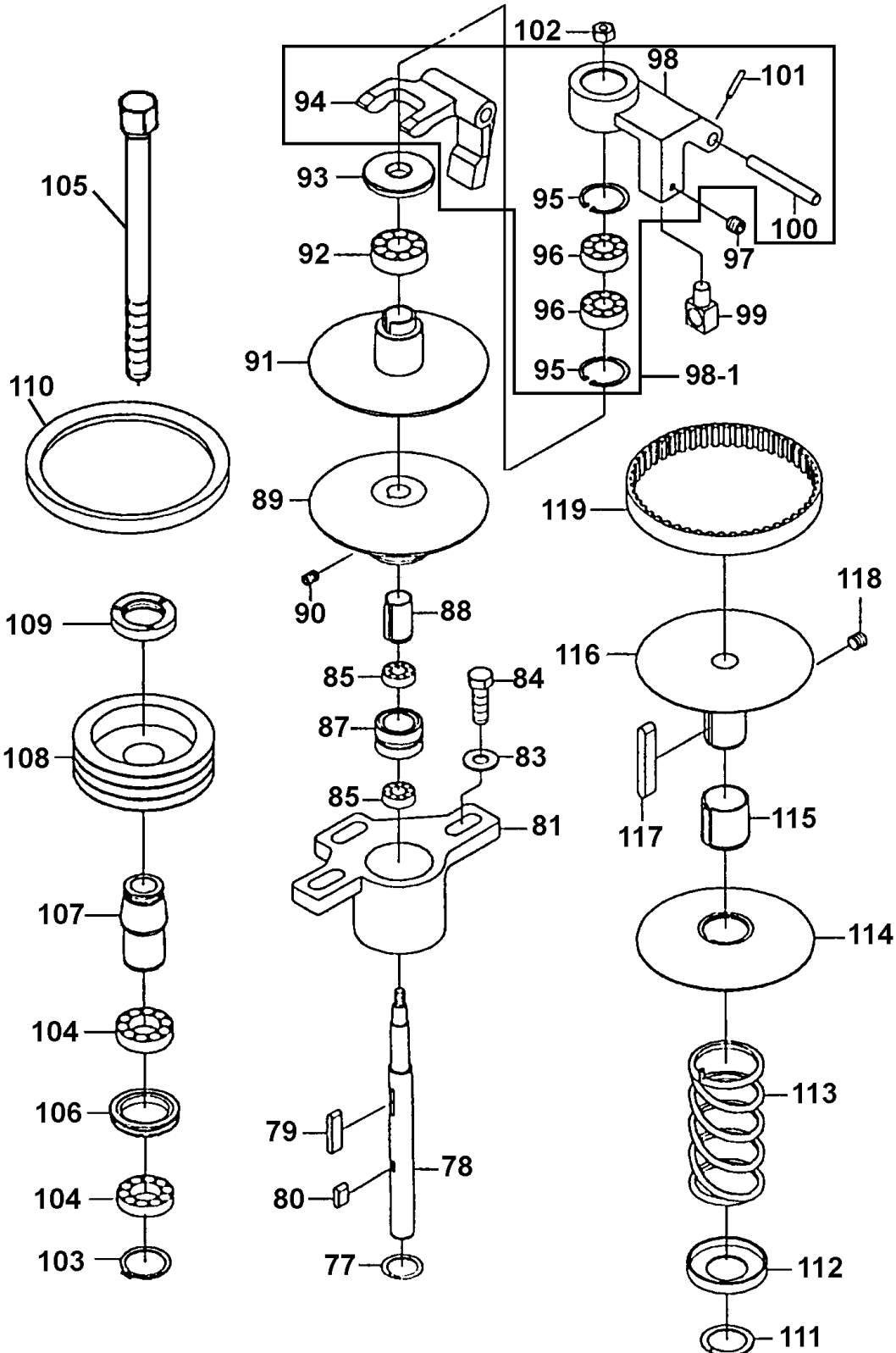
## 18" Variable Speed Drilling Machine Perceuse à Colonne à Vitesse Variables 18"



Revised/Revisé 08/2008

### Pulley System Diagram / Diagramme du Mécanisme de la Poulie

# KC-401V2F-5





# Service Manual / Manuel de Service

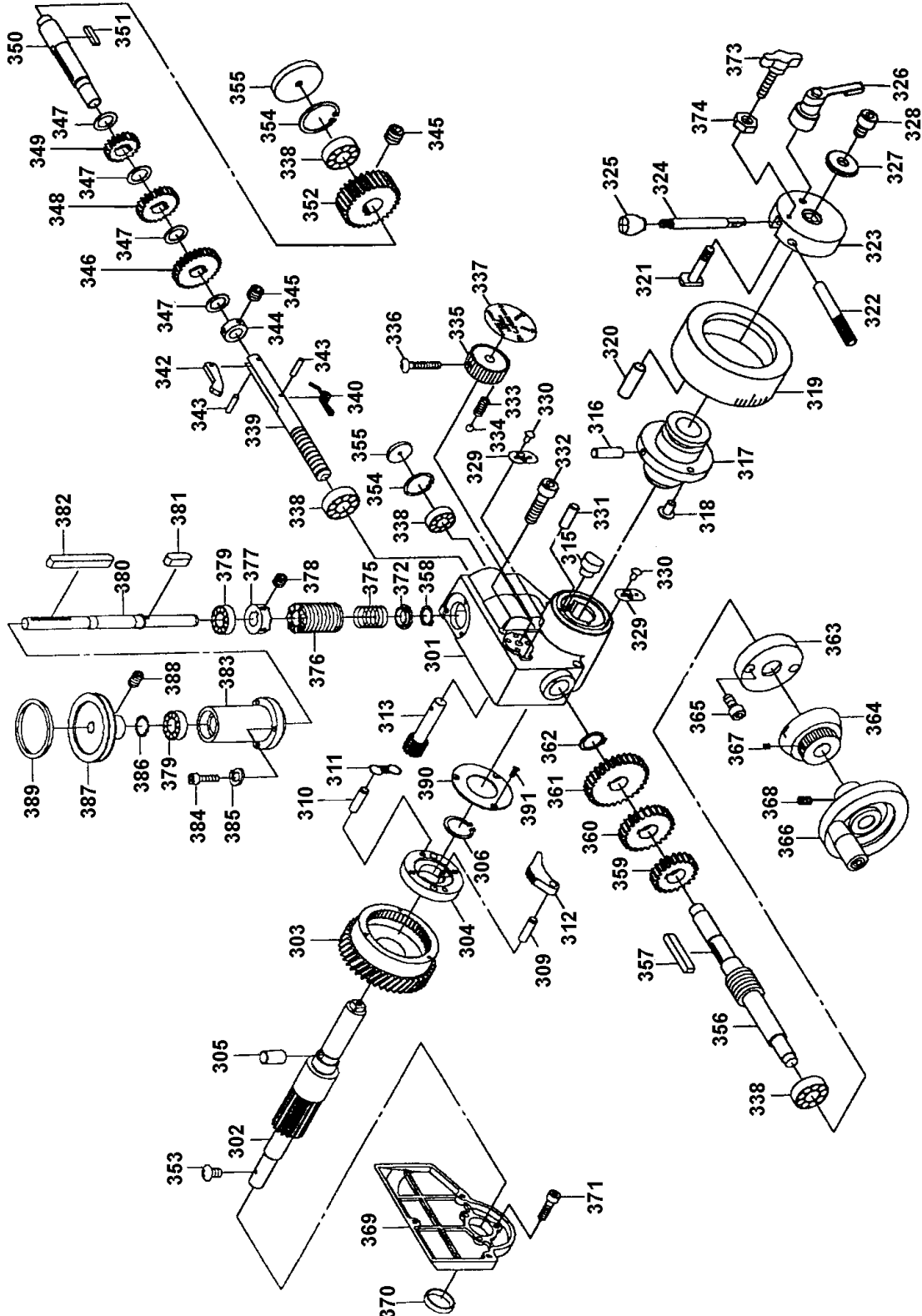
## 18" Variable Speed Drilling Machine Perceuse à Colonne à Vitesse Variables 18"



Revised/Revisé 08/2008

### Automatic Feeder Diagram / Diagramme de l'Entraîneur Automatique

# KC-401V2F-5





# Service Manual / Manuel de Service

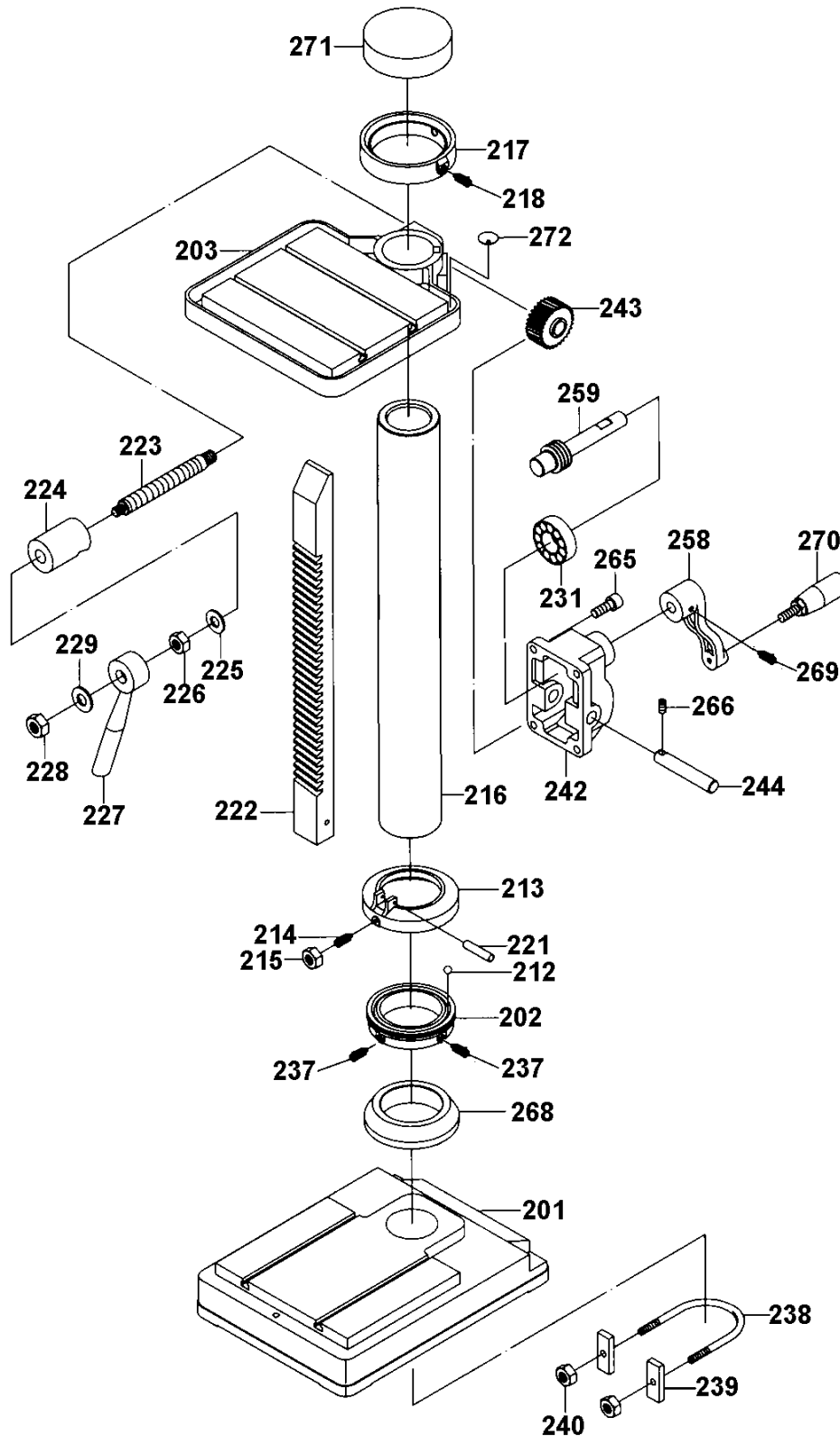
## 18" Variable Speed Drilling Machine Perceuse à Colonne à Vitesse Variables 18"



Revised/Revisé 08/2008

### Base and Column Diagram / Diagramme de la Base et de la Colonne

# KC-401V2F-5





Parts Pricing List / Liste de Prix des Pièces

KC-401V2F-5

Diag.	Order # Com.	English Description	Description Française	Qty./Qté.	Price/Prix
1	1240130010	HEAD BODY	BOITIER DE LA TETE	1	\$412.85
2	1240130020	SPINDLE COVER	COUVERCLE DE L'ARBRE	1	\$194.35
3	1240130030	LOCK NUT	ECROU DE VERROUILLAGE	2	\$11.33
4	1240130040	BALL BEARING	ROULEMENT A BILLES	1	\$29.84
5	1240130050	QUILL	QUILLE	1	\$332.35
6	1240130060	TAPER ROLLER BEARING	ROULEMENT CONIQUE	1	\$45.94
7	1240130070	SPINDLE SHAFT	ARBRE	1	\$435.85
8	1240130080	STAR WASHER	RONDELLE ETOILEE	1	\$2.70
9	1240130090	BEARING CAP	CAPUCHON DU ROULEMENT	1	\$10.18
13	1240130130	CHUCK ARBOR	ARBRE DE MANDRIN	1	\$87.23
18	1240130180	PIN	GOUPILLE	1	\$14.89
20	1240130200	TOP COVER	COUVERCLE DU DESSUS	1	\$144.50
21	1240130210	RIGHT SIDE COVER	COUVERCLE DU COTE DROIT	1	\$217.35
21-2	1240130212	LEFT SIDE COVER	COUVERCLE DU COTE GAUCHE	1	\$217.35
22	1240130220	RUBBER FLANGE	JOINT EN CAOUTCHOUC	1	\$6.73
23	1240130230	LOCK BOLT	BOULON DE VERROUILLAGE	2	\$10.98
24	1240130240	HEAD LOCK BUSHING	BAGUE DE VERROUILLAGE	2	\$40.19
25	1240130250	FIXED TIGHT COLLAR	COLLET DE FIXATION	2	\$11.44
26	1240130260	LOCK HANDLE	POIGNEE DE VERROUILLAGE	2	\$57.44
27	1240130270	CROSS RD. HD. SCREW	VIS A TETE RONDE	5	\$1.78
28	1240130280	WASHER	RONDELLE	5	\$1.50
29	1240130290	CAM SPRING	CAME-RESSORT	1	\$22.94
30	1240130300	HUB	MOYEU	1	\$113.56
31-1	1240130311	COMPLETE HANDLE ASS'Y	POIGNEE COMPLETE ASS.	3	\$13.74
33	1240130330	RD. HD. SCREW	VIS A TETE RONDE	2	\$1.67
34	1240130340	PIN	GOUPILLE	1	\$2.01
35	1240130350	PLATE COVER	COUVERCLE PLAT	1	\$11.44
36	1240130360	THRUST BEARING	ROULEMENT A BUTEE	1	\$28.69
37	1240130370	SPEED DIAL	TABLEAU DE VITESSE	1	\$68.94
38	1240130380	SPECIAL BOLT	BOULON SPECIAL	1	\$20.30
39	1240130390	RD. HD. SCREW	VIS A TETE RONDE	1	\$1.67
40	1240130400	HEX. BOLT	BOULON HEX.	4	\$1.67
41	1240130410	WASHER	RONDELLE	4	\$1.50
42	1240130420	HEX. NUT	ECROU HEX.	1	\$1.78
43	1240130430	WASHER	RONDELLE	1	\$1.67
44	1240130440	FLAT WASHER	RONDELLE PLATE	2	\$1.67
45	1240130450	HEX. BOLT	BOULON HEX.	2	\$1.90
46	1240130460	PUSH ROD RING	ANNEAU DE LA TIGE	1	\$5.00
47	1240130470	PIN	GOUPILLE	1	\$4.77
48	1240130480	PUSH ROD	TIGE DE POUSSEE	1	\$21.68
49	1240130490	PUSH ROD TUBE	TUBE DE LA TIGE	1	\$45.94
50	1240130500	HEX. NUT	ECROU HEX.	3	\$1.78
51	1240130510	PIN	GOUPILLE	1	\$5.00
52	1240130520	MOTOR MOUNT BOLT	BOULON DU MOTEUR	4	\$13.51
53	1240130530	HEX. NUT	ECROU HEX.	4	\$1.55
54	1240130540	FLAT WASHER	RONDELLE PLATE	4	\$1.55
55	1240130550	MOTOR	MOTEUR	1	\$1,144.25

Pricing subject to change without prior notice. / Prix sujet à changement sans préavis.



Parts Pricing List / Liste de Prix des Pièces

KC-401V2F-5

Diag.	Order # Com.	English Description	Description Française	Qty./Qté.	Price/Prix
56	1240130560	HEX. BOLT	BOULON HEX.	2	\$1.61
57	1240130570	FLAT WASHER	RONDELLE PLATE	2	\$1.50
58	1240130580	SET SCREW	VIS SANS TETE	1	\$1.67
74	1240130740	SPINDLE COVER	COUVERCLE DE L'ARBRE	1	\$6.84
75	1240130750	HEX. BOLT	BOULON HEX.	2	\$1.61
77	1240130770	C-RETAINING RING	ANNEAU DE RETENU	1	\$2.13
78	1240130780	CONTROL PULLEY SHAFT	TIGE DE LA POULIE	1	\$114.71
79	1240130790	KEY	CLE DE RETENUE	1	\$4.54
80	1240130800	KEY	CLE DE RETENUE	1	\$3.28
81	1240130810	BEARING HOUSING	BOITIER DU ROULEMENT	1	\$90.56
83	1240130830	FLAT WASHER	RONDELLE PLATE	3	\$1.67
84	1240130840	HEX. BOLT	BOULON HEX.	3	\$1.90
85	1240130850	BALL BEARING	ROULEMENT A BILLES	2	\$33.29
87	1240130870	BEARING SPACER	ESPACEUR DU ROULEMENT	1	\$11.33
88	1240130880	BUSHING/KEY	BAGUE/CLE	1	\$14.89
89	1240130890	LOWER VARIABLE SPEED PULLEY	POULIE A VIT. VAR. DU BAS	1	\$210.45
90	1240130900	SET SCREW	VIS SANS TETE	1	\$1.55
91	1240130910	UPPER VARIABLE SPEED PULLEY	POULIE A VIT. VAR. DU HAUT	1	\$203.55
92	1240130920	BALL BEARING	ROULEMENT A BILLES	1	\$52.84
93	1240130930	BEARING COVER	CAPUCHON DU ROULEMENT	1	\$34.33
94	1240130940	SPINDLE CONTROL SUPPORT	SUPPORT DE CONTROLE DE L'ARBRE	1	\$80.21
95	1240130950	RETAINING RING/BORE	ANNEAU DE RETENU/ALESAGE	2	\$2.70
96	1240130960	BALL BEARING	ROULEMENT A BILLES	2	\$24.09
97	1240130970	SET SCREW	VIS SANS TETE	1	\$1.67
98	1240130980	SPEED CONTROL FORK	FOURCHETTE/CONTROLE DE VITESSE	1	\$74.69
98-1	1240130981	SPINDLE SHAFT ASSEMBLY	TIGE DE L'ARBRE ASSEMBLE	1	\$98.50
99	1240130990	SWIVEL SUPPORT	SUPPORT DE PIVOTEMENT	1	\$39.04
100	1240131000	HINGE PIN	GOUPILLE DE CHARNIERE	1	\$11.33
101	1240131010	SPRING PIN	GOUPILLE A RESSORT	1	\$2.01
102	1240131020	NYLON HEX. NUT	ECROU HEX. AVEC NYLON	1	\$3.39
103	1240131030	RETAINING RING	ANNEAU DE RETENUE	1	\$2.47
104	1240131040	BALL BEARING	ROULEMENT A BILLES	2	\$55.14
105	1240131050	DRAW BAR	TIGE MAITRESSE DE LA TETE	1	\$34.21
106	1240131060	BEARING SPACER SLEEVE	BAGUE D'ESPACEMENT	1	\$15.70
107	1240131070	SPINDLE TAPER SLEEVE	BAGUE CONIQUE DE L'ARBRE	1	\$75.73
108	1240131080	SPINDLE PULLEY	POULIE DE L'ARBRE	1	\$80.21
109	1240131090	SPINDLE LOCK NUT	ECROU DE VERROUILLAGE	1	\$25.24
110	1240131100	TOOTH V-BELT (LOCAL)	COURROIE EN V DENTELEE	3	\$28.69
111	1240131110	RETAINING RING/SHAFT	ANNEAU DE RETENUE/TIGE	1	\$3.05
112	1240131120	SPRING BASE	BASE DU RESSORT	1	\$11.33
113	1240131130	SPRING	RESSORT	1	\$21.79
114	1240131140	LOWER MOTOR PULLEY	POULIE DU BAS (MOTEUR)	1	\$205.85
115	1240131150	KEY BUSHING	BAGUE DE LA CLE	1	\$22.60
116	1240131160	UPPER MOTOR PULLEY	POULIE DU HAUT (MOTEUR)	1	\$224.25
117	1240131170	KEY	CLE DE RETENUE	1	\$2.65
118	1240131180	SET SCREW	VIS SANS TETE	1	\$1.67
119	1240131190	TOOTH BELT	COURROIE DENTELLEE	1	\$149.33

Pricing subject to change without prior notice. / Prix sujet à changement sans préavis.



Parts Pricing List / Liste de Prix des Pièces

KC-401V2F-5

Diag.	Order # Com.	English Description	Description Française	Qty./Qté.	Price/Prix
120	1240131200	SPRING BASE SET	BASE DU RESSORT	1	\$22.71
122-1	1240131221	SPRING COVER ASS'Y	COUVERCLE DE RESSORT ASS.	1	\$57.21
123	1240131230	SPRING PIN	GOUPILLE A RESSORT	2	\$1.90
124	1240131240	CROSS RD. HD. SCREW	VIS A TETE RONDE	3	\$1.67
125	1240131250	SPRING WASHER	RONDELLE A RESSORT	1	\$1.50
126	1240131260	WASHER	RONDELLE	1	\$2.13
127	1240131270	SPRING WASHER	RONDELLE A RESSORT	1	\$1.50
128	1240131280	LOCK KNOB	BOUTON DE VERROUILLAGE	1	\$4.43
129	1240131290	FIXING BRACKET	SUPPORT DE FIXATION	1	\$13.74
130	1240131300	PLUM SCREW	VIS AVEC BOUTON	1	\$4.43
131	1240131310	CAP SCREW	BOULON A TETE CYLINDRIQUE	2	\$2.07
132	1240131320	FLAT WASHER	RONDELLE PLATE	1	\$1.50
133	1240131330	HEX. BOLT	BOULON HEX.	1	\$1.90
134	1240131340	ADJUSTING BRACKET	SUPPORT D'AJUSTEMENT	1	\$5.58
135	1240131350	PUNCH KEY	CLE DE RELACHEMENT	1	\$9.03
138	1240131380	SCALE PLATE	PLAQUE INDICATRICE	1	\$45.60
139	1240131390	CROSS RD. HD. SCREW	VIS A TETE RONDE	1	\$1.55
140	1240131400	INDICATOR	INDICATEUR	1	\$4.31
141	1240131410	WASHER	RONDELLE	1	\$1.67
142	1240131420	CROSS RD. HD. SCREW	VIS A TETE RONDE	4	\$1.55
143	1240131430	FLAT WASHER	RONDELLE PLATE	4	\$1.50
144	1240131440	CROSS RD. HD. SCREW	VIS A TETE RONDE	4	\$1.55
146	1240131460	LIMIT SWITCH (ONLY)	INTERRUPTEUR CONTACT	1	\$30.76
146-1	1240131461	LIMIT SWITCH -2 WIRES W/BRACKET	INTERR. CONTACT -2 FILS/SUPPORT	1	\$38.70
146-2	1240131462	LIMIT SWITCH -3 WIRES W/BRACKET	INTERR. CONTACT -3 FILS/SUPPORT	1	\$38.70
147	1240131470	RETAINING BUSHING	BAGUE DE RETENUE	1	\$5.58
148	1240131480	DEPTH INDICATOR NUT	ECROU DE L'INDICATEUR	1	\$9.03
149	1240131490	GRADUATED ROD	TIGE GRADUEE	1	\$34.10
149-1	1240131491	GRADUATED ROD ASS'Y	TIGE DE GRADUATION ASSEMBLE	1	\$44.56
150	1240131500	HEX. NUT	ECROU HEX.	1	\$2.93
151	1240131510	FEED BASE	SUP. DE GUIDE DE PROFONDEUR	1	\$45.83
152	1240131520	SET SCREW	VIS SANS TETE	1	\$1.55
153	1240131530	SCREW SUPPORT	SUPPORT DE LA TIGE	1	\$34.44
154	1240131540	SPRING PIN	GOUPILLE	1	\$2.24
155	1240131550	SCREW KNOB	BOUTON DE LA TIGE	1	\$7.53
157	1240131570	CAP SCREW	BOULON A TETE CYLINDRIQUE	1	\$2.47
157-2	1240131572	HEX. NUT	ECROU HEX.	1	\$1.55
179	1240131790	MOTOR BUSHING	BAGUE DU MOTEUR	1	\$14.78
187	1240131870	FIXED TIGHT COLLAR	COLLET DE FIXATION	1	\$13.63
188	1240131880	FIXED TIGHT COLLAR	COLLET DE FIXATION	1	\$11.44
189	1240131890	HANDLE ROD	TIGE DE LA POIGNEE	1	\$27.43
190	1240131900	WASHER	RONDELLE	3	\$2.47
201	1240132010	BASE	SOCLE	1	\$672.75
202	1240132020	BEARING COVER (LOWER)	COUVERCLE DU ROULEMENT (BAS)	1	\$102.29
203	1240132030	SQUARE WORKING TABLE	TABLE DE TRAVAIL CARREE	1	\$845.25
212	1240132120	STEEL BALL	BILLE D'ACIER	40	\$2.13
213	1240132130	BEARING COVER (UPPER)	COUVERCLE DU ROULEMENT (HAUT)	1	\$64.11

Pricing subject to change without prior notice. / Prix sujet à changement sans préavis.





Parts Pricing List / Liste de Prix des Pièces

KC-401V2F-5

Diag.	Order # Com.	English Description	Description Française	Qty./Qté.	Price/Prix
214	1240132140	SET SCREW	VIS SANS TETE	2	\$2.13
215	1240132150	HEX. NUT	ECROU HEX.	2	\$1.50
216	1240132160	COLUMN	COLONNE	1	\$983.25
217	1240132170	RACK COLLAR	COLLET DE LA CREMAILLIERE	1	\$78.03
218	1240132180	SET SCREW	VIS SANS TETE	2	\$2.24
221	1240132210	PIN	GOUPILLE	1	\$3.16
222	1240132220	RACK	CREMAILLIERE	1	\$91.60
223	1240132230	LOCKING BOLT	BOULON DE VERROUILLAGE	1	\$28.58
224	1240132240	LOCKING BLOCK	BLOC DE VERROUILLAGE	1	\$32.83
225	1240132250	WASHER	RONDELLE	1	\$2.70
226	1240132260	HEX. NUT	ECROU HEX.	1	\$3.16
227	1240132270	TABLE LOCK HANDLE	POIGNEE DE VERROUILLAGE	1	\$15.81
228	1240132280	HEX. NUT	ECROU HEX.	1	\$1.90
229	1240132290	WASHER	RONDELLE	1	\$2.01
231	1240132310	THRUST BEARING	ROULEMENT A BUTEE	1	\$76.88
237	1240132370	SET SCREW	VIS SANS TETE	2	\$2.01
238	1240132380	"U" BOLT	BOULON EN "U"	1	\$19.95
239	1240132390	FIXED BLOCK	BLOC FIXE	2	\$22.94
240	1240132400	HEX. NUT	ECROU HEX.	2	\$2.24
242	1240132420	TABLE RAISE BRACKET	SUPPORT D'ELEVATION DE LA TABLE	1	\$108.96
243	1240132430	WORM GEAR	ENGRENAGE SANS FIN	1	\$101.60
244	1240132440	WORM SHAFT	TIGE DE L'ENGRENAGE	1	\$11.44
258	1240132580	TABLE HANDLE	MANIVELLE	1	\$29.73
259	1240132590	WORM GEAR SHAFT	TIGE A ENGRENAGE SANS FIN	1	\$45.83
265	1240132650	CAP SCREW	BOULON A TETE CYLINDRIQUE	4	\$1.67
266	1240132660	SET SCREW	VIS SANS TETE	1	\$2.01
268	1240132680	BASE BRACKET	SUPPORT DE LA BASE	1	\$59.63
269	1240132690	SET SCREW	VIS SANS TETE	1	\$2.13
270	1240132700	CLAMP HANDLE	POIGNEE DE MANIVELLE	1	\$14.89
271	1240132710	COLUMN HEAD CAP	CAPUCHON DE COLONNE	1	\$37.66
272	1240132720	FILTER	FILTRE	1	\$2.59
301	1240133010	GEAR BOX	BOITIER D'ENGRENAGE	1	\$274.85
302	1240133020	PINION SHAFT	TIGE A PIGNON	1	\$86.08
303	1240133030	WORM GEAR	ENGRENAGE SANS FIN	1	\$194.35
304	1240133040	CLUTCH KEY BASE	BASE DE LA CLE D'EMBRAYAGE	1	\$61.93
305	1240133050	ROUND KEY	CLE DE RETENUE RONDE	2	\$4.43
306	1240133060	C RING	ANNEAU EN C	1	\$2.82
309	1240133090	CLUTCH KEY PIN	GOUPILLE DE LA CLE D'EMBRAYAGE	2	\$6.04
310	1240133100	SPRING PIN	GOUPILLE A RESSORT	2	\$5.35
311	1240133110	SPRING	RESSORT	2	\$2.70
312	1240133120	CLUTCH LEVER	LEVIER DE TRANSMISSION	2	\$29.84
313	1240133130	GEAR SHAFT	TIGE DE L'ENGRENAGE	1	\$60.89
315	1240133150	RELEASE BLOCK	GOUPILLE DE RELACHE	1	\$9.49
316	1240133160	STOP PIN	GOUPILLE D'ARRET	1	\$5.35
317	1240133170	CLUTCH BUSHING	BAGUE D'EMBRAYAGE	1	\$152.55
318	1240133180	STOP PIN	GOUPILLE DE VERROUILLAGE	1	\$6.04
319	1240133190	SCALE BUSHING	BAGUE GRADUEE	1	\$113.68

Pricing subject to change without prior notice. / Prix sujet à changement sans préavis.





Parts Pricing List / Liste de Prix des Pièces

KC-401V2F-5

Diag.	Order # Com.	English Description	Description Française	Qty./Qté.	Price/Prix
320	1240133200	PIN	GOUPILLE	1	\$4.89
321	1240133210	SCALE BASE BOLT	BOULON DE LA BASE GRADUEE	1	\$14.78
322	1240133220	HANDLE ROD PIN	GOUPILLE DE LA POIGNEE	2	\$7.88
323	1240133230	HANDLE BODY	MOYAU	1	\$45.71
324	1240133240	HANDLE ROD	TIGE DE LA POIGNEE	2	\$10.98
325	1240133250	ROUND PLASTIC KNOB	BOUTON DE PLASTIQUE ROND	2	\$3.05
326	1240133260	HANDLE	POIGNEE	1	\$28.69
327	1240133270	WASHER	RONDELLE	1	\$1.50
328	1240133280	CAP SCREW	BOULON A TETE CYLINDRIQUE	1	\$1.67
329	1240133290	SCALE	EHELLE	2	\$3.28
330	1240133300	RIVET	RIVET	4	\$1.78
331	1240133310	PIN	GOUPILLE	1	\$4.89
332	1240133320	CAP SCREW	BOULON A TETE CYLINDRIQUE	3	\$2.47
333	1240133330	SPRING	RESSORT	1	\$3.05
334	1240133340	STEEL BALL	BILLE D'ACIER	1	\$2.01
335	1240133350	SPEED DIAL	CADRAN DE VITESSE	1	\$22.83
336	1240133360	CROSS RD. HD. SCREW	VIS A TETE RONDE	1	\$2.01
337	1240133370	SPEED SCALE	EHELLE DE VITESSE	1	\$8.80
338	1240133380	BALL BEARING	ROULEMENT A BILLES	4	\$12.59
339	1240133390	CHANGE GEAR LEVER	LEVIER DE CHANGEMENT	1	\$50.20
340	1240133400	TWISTED SPRING	RESSORT	1	\$4.89
342	1240133420	SPEED CHANGING KEY	CLE DU CHANGEMENT DE VITESSE	1	\$19.26
343	1240133430	PIN	GOUPILLE	2	\$2.59
344	1240133440	BUSHING BRACKET	SUPPORT DE LA BAGUE	1	\$45.94
345	1240133450	SET SCREW	VIS SANS TETE	4	\$1.67
346	1240133460	GEAR	ENGRENAGE	1	\$68.60
347	1240133470	WASHER/BUSHING	RONDELLE/ESPACEUR	4	\$3.05
348	1240133480	GEAR	ENGRENAGE	1	\$65.38
349	1240133490	GEAR	ENGRENAGE	1	\$57.44
350	1240133500	SHAFT	TIGE	1	\$57.10
351	1240133510	KEY	CLE DE RETENUE	1	\$2.01
352	1240133520	WORM GEAR	ENGRENAGE SANS FIN	1	\$45.83
353	1240133530	FLAT CROSS HEAD SCREW	VIS A TETE PLATE	1	\$1.67
354	1240133540	C RING	ANNEAU EN C	2	\$2.47
355	1240133550	COVER	COUVERCLE	2	\$9.60
356	1240133560	TRANSMISSION WORM SHAFT	TIGE ENGRENAGE SANS FIN	1	\$113.56
357	1240133570	KEY	CLE DE RETENUE	1	\$2.19
358	1240133580	C RING	ANNEAU EN C	1	\$2.13
359	1240133590	GEAR	ENGRENAGE	1	\$57.33
360	1240133600	GEAR	ENGRENAGE	1	\$61.70
361	1240133610	GEAR	ENGRENAGE	1	\$68.71
362	1240133620	C RING	ANNEAU EN "C"	1	\$2.13
363	1240133630	WORM COVER	COUVERCLE DE L'ENGRENAGE	1	\$19.49
364	1240133640	MICRO ADJUSTING INDICATOR	INDICATEUR DE MICRO AJUST.	1	\$68.94
365	1240133650	CAP SCREW	BOULON A TETE CYLINDRIQUE	2	\$1.73
366	1240133660	COMPLETE FEED HANDWHEEL	MANIVELLE D'ALIMENTATION COM.	1	\$55.83
367	1240133670	SET SCREW	VIS SANS TETE	1	\$1.44

Pricing subject to change without prior notice. / Prix sujet à changement sans préavis.



Parts Pricing List / Liste de Prix des Pièces

KC-401V2F-5

Diag.	Order # Com.	English Description	Description Française	Qty./Qté.	Price/Prix
368	1240133680	SET SCREW	VIS SANS TETE	1	\$1.50
369	1240133690	GEAR BOX COVER	COUVERCLE DU BOITIER	1	\$78.83
370	1240133700	BEARING SPACER	ANNEAU D'ESPACEMENT	1	\$20.18
371	1240133710	CAP SCREW	BOULON A TETE CYLINDRIQUE	3	\$1.78
372	1240133720	BUSHING	BAGUE	1	\$16.04
373	1240133730	T SCREW KNOB	BOUTON EN T	1	\$5.00
374	1240133740	HEX. NUT	ECROU HEXAGONAL	1	\$1.67
375	1240133750	SPRING	RESSORT	1	\$5.00
376	1240133760	WORM SHAFT	TIGE DE L'ENGRENAGE	1	\$38.93
377	1240133770	CLUTCH BLOCK	BLOC D'EMBRAYAGE	1	\$41.23
378	1240133780	SET SCREW	VIS SANS TETE	2	\$1.67
379	1240133790	BALL BEARING	ROULEMENT A BILLES	2	\$12.59
380	1240133800	WORM SHAFT	TIGE D'ENGRENAGE	1	\$112.53
381	1240133810	KEY	CLE DE RETENUE	1	\$1.78
382	1240133820	KEY	CLE DE RETENUE	1	\$2.36
383	1240133830	WORM BASE	BASE DE L'ENGRENAGE	1	\$126.10
384	1240133840	CAP SCREW	BOULON A TETE CYLINDRIQUE	3	\$1.78
385	1240133850	SPRING WASHER	RONDELLE A RESSORT	3	\$1.50
386	1240133860	C-RETAINING RING	ANNEAU DE RETENUE EN C	1	\$1.78
387	1240133870	PULLEY	POULIE	1	\$102.29
388	1240133880	SET SCREW	VIS SANS TETE	1	\$1.55
389	1240133890	ROUND BELT (LOCAL)	COURROIE RONDE (LOCALE)	1	\$83.89
389-2	1240133892	ROUND BELT (ORIGINAL)	COURROIE RONDE (ORIGINALE)	1	\$51.58
390	1240133900	WORM GEAR COVER	COUVERCLE DE L'ENGRENAGE	1	\$11.44
391	1240133910	SCREW	VIS	3	\$1.50
392	KDC-12M	1/2" CHUCK WITH KEY	MANDRIN 1/2" AVEC CLE	1	-
900	1240139000	PLASTIC ELECTRIC BOX (ONLY)	BOITE ELECTRIQUE EN PLASTIQUE	1	\$87.23
900-1	1240139001	ON/OFF CONTROL BOX ASS'Y	BOITE ELECTRIQUE ASS.	1	\$770.39
901	1240139010	TRANSFORMER (ORIGINAL)	TRANSFORMATEUR (ORIGINAL)	1	\$160.94
901-2	1240139012	TRANSFORMER (LOCAL)	TRANSFORMATEUR (LOCAL)	1	\$91.83
902	1240139020	TAPPING/DRILLING SELECTOR	SEL. DE FILLETAGE ET PERCAGE	1	\$103.21
903	1240139030	REVERSE BUTTON	BOUTON DE RENVERSE	1	\$39.04
904	1240139040	LOW/HIGH SWITCH	COM. BASSE/Haute VITESSE	1	\$229.83
905	1240139050	EMERGENCY SAFETY SWITCH	INTERR. "ARRET D'URGENCE"	1	\$78.95
906	1240139060	START BUTTON	BOUTON DE DEMARRAGE	1	\$100.80
907	1240139070	POWER FIRST SWITCH	COMMUTATEUR DE COURANT	1	\$68.83
908	1240139080	OVERLOAD	RELAIS DE SURCHARGE	1	\$114.83
909	1240139090	CONTACTOR	CONTACTEUR	2	\$397.84
909-2	1240139092	CONTACTOR ADAPTOR	ADAPTATEUR POUR CONTACTEUR	2	\$79.18
910	1240139100	RELAY	RELAIS DE SECURITE	1	\$94.70
911	1240139110	DOUBLE FUSE HOLDER	PORTE FUSIBLE DOUBLE	1	\$96.31
912	1240139120	WIRE CONNECTOR	CONNECTEUR DE FILS	1	\$22.94
913	1240139130	FUSE (SAFETY CONNECTOR)	FUSIBLE	1	\$3.16
914	1240139140	FUSE HOLDER	PORTE-FUSIBLE	1	\$45.83
915	1240139150	FUSE 15AMP	FUSIBLE 15AMP	1	\$15.81
915-2	1240139152	FUSE 25AMP	FUSIBLE 25 AMP	1	\$15.81
915-3	1240139153	FUSE 10AMP	FUSIBLE 10AMP	1	\$15.81

Pricing subject to change without prior notice. / Prix sujet à changement sans préavis.

**Parts Pricing List / Liste de Prix des Pièces****KC-401V2F-5**

Diag.	Order # Com.	English Description	Description Française	Qty./Qté.	Price/Prix
915-4	1240139154	LOW-PEAK FUSE CC2	FUSIBLE (CHARGE FAIBLE) CC2	2	\$13.63
915-5	1240139155	LOW-PEAK FUSE CC3	FUSIBLE (CHARGE FAIBLE) CC3	2	\$13.63
915-6	1240139156	LOW-PEAK FUSE CC5	FUSIBLE (CHARGE FAIBLE) CC5	2	\$13.63
916	1240139160	ON/OFF ELECTRICAL BOX (ONLY)	BOITE ELECTRIQUE ARRIERE	1	\$96.08
916-1	1240139161	ON/OFF ELECTRIC BOX ASS'Y	BOITE ELECTRIQUE COMPLETE	1	\$447.35
916-2	1240139162	ON/OFF SWITCH	INTERRUPTEUR ON/OFF	1	\$225.00
917	1240139170	FUSE HOLDER (SIMPLE)	PORTE-FUSIBLE SIMPLE	3	\$7.99
918	1240139180	STRAIN RELIEF W/PVC LOCK NUT	ATTACHE-CORDON/ECROU METAL	2	\$3.28
919	1240139190	MOTOR WIRE (30")	CORDON DU MOTEUR	1	\$11.33
920	1240139200	POWER CORD (72")	CORDON D'ALIMENTATION	1	\$16.04
	124013MBIL	ENGLISH MANUAL KC-401V2F-5	MANUEL ANGLAIS KC-401V2F-5	1	\$15.00

Pricing subject to change without prior notice. / Prix sujet à changement sans préavis.

## Free Manuals Download Website

<http://myh66.com>

<http://usermanuals.us>

<http://www.somanuals.com>

<http://www.4manuals.cc>

<http://www.manual-lib.com>

<http://www.404manual.com>

<http://www.luxmanual.com>

<http://aubethermostatmanual.com>

Golf course search by state

<http://golfingnear.com>

Email search by domain

<http://emailbydomain.com>

Auto manuals search

<http://auto.somanuals.com>

TV manuals search

<http://tv.somanuals.com>