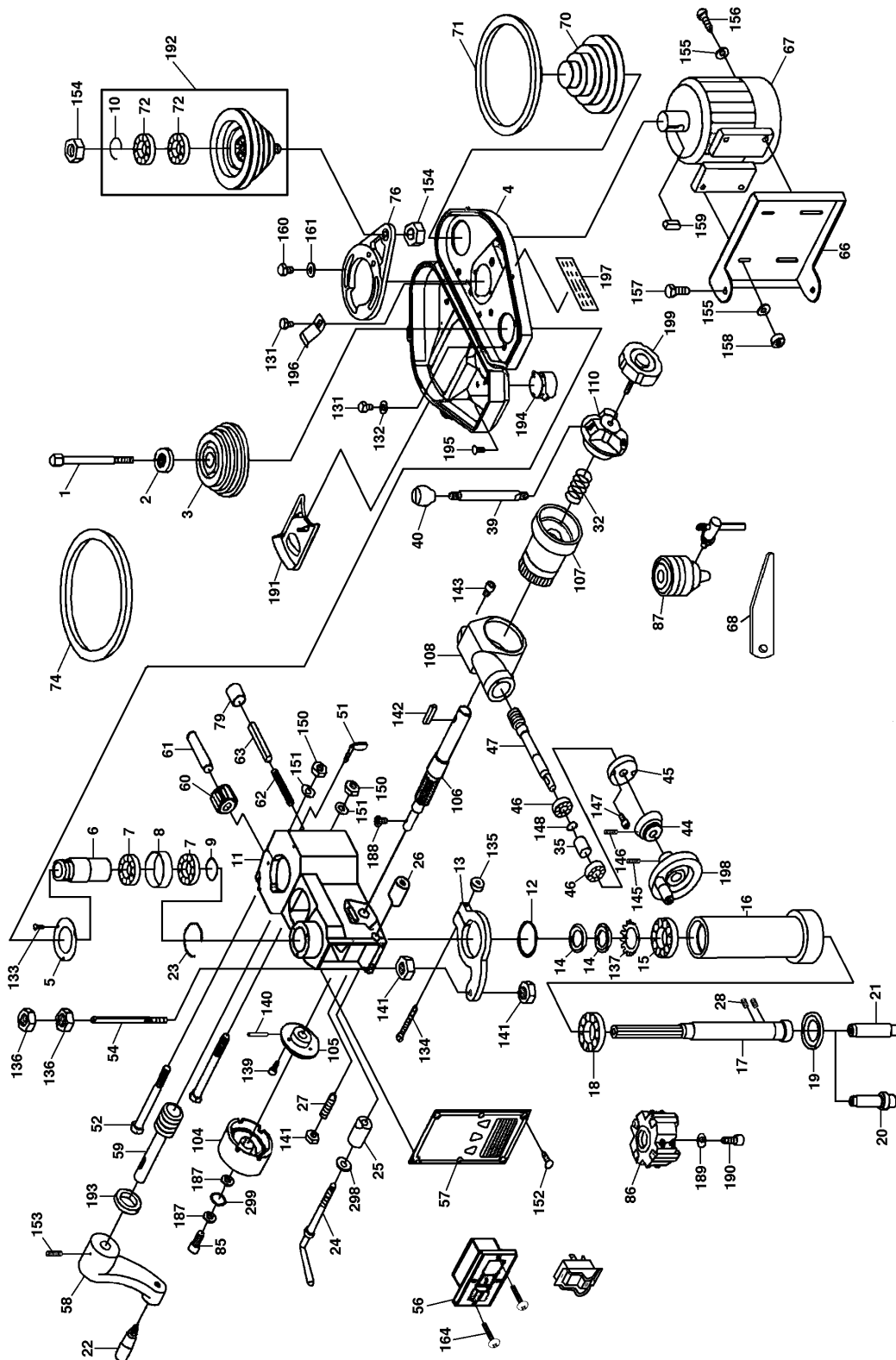


Revised/Revisé 08/2008

Head Diagram / Diagramme de la Tête

PDM-25

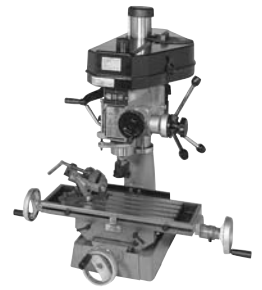




Service Manual / Manuel de Service

Milling & Drilling Machine

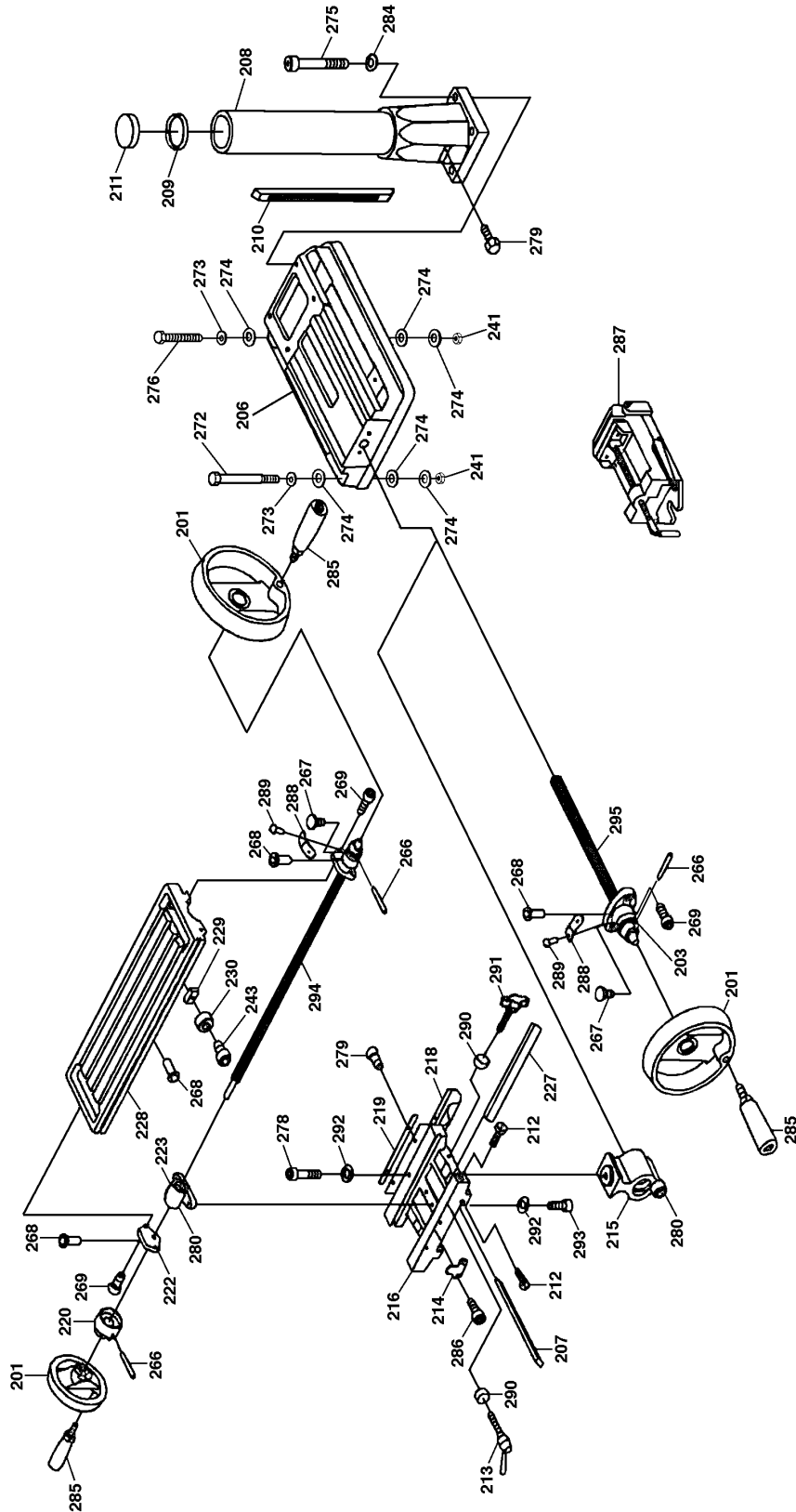
Perceuse et Fraiseuse



Revised/Revisé 08/2008

Table Diagram / Diagramme de la Table

PDM-25





Parts Pricing List / Liste de Prix des Pièces

PDM-25

Diag.	Order # Com.	English Description	Description Française	Qty./Qté.	Price/Prix
1	1200255001	CHUCK ARBOR BOLT	TIGE MAITRESSE	1	\$52.84
2	1200255002	SPINDLE LOCK NUT	ECROU DE L'ARBRE	1	\$14.55
3	1200255003	SPINDLE PULLEY	POULIE DE L'ARBRE	1	\$132.19
4	1200255004	BELT COVER	COUVERCLE DE LA COURROIE	1	\$160.71
5	1200255005	OUTER BEARING COVER	PLAQUE DE ROULEMENT EXT.	1	\$11.33
6	1200255006	SPINDLE TAPER SLEEVE	MANCHON CONIQUE DE L'ARBRE	1	\$68.94
7	1200255007	BALL BEARING	ROULEMENT A BILLES	2	\$20.41
8	1200255008	BEARING SPACER	BAGUE DE ROULEMENT	1	\$12.59
9	1200255009	RETAINING RING/SHAFT	ANNEAU DE RETENU/TIGE	1	\$3.74
10	1200255010	RETAINING RING/SHAFT	ANNEAU DE RETENU/TIGE	1	\$3.62
11	1200255011	HEAD BODY	TETE MAITRESSE	1	\$454.25
12	1200255012	RUBBER FLANGE	BRIDE EN CAOUTCHOUC	1	\$6.84
13	1200255013	FEED BASE	BASE DE L'ALIMENTATION	1	\$40.08
14	1200255014	LOCK NUT	ECROU DE RETENU	2	\$13.51
15	1200255015	TAPER ROLLER BEARING	ROULEMENT CONIQUE	1	\$68.94
16	1200255016	RACK SLEEVE	MANCHON	1	\$154.10
17	1200255017	SPINDLE SHAFT	TIGE DE L'ARBRE	1	\$275.71
18	1200255018	TAPER ROLLER BEARING	ROULEMENT CONIQUE	1	\$98.61
19	1200255019	BEARING CAP	CAPUCHON DU ROULEMENT	1	\$10.87
20	1200255020	CUTTER ARBOR	ARBRE DE LA TETE DE COUPE	1	\$86.19
21	1200255021	CHUCK ARBOR	ARBRE DU MANDRIN	1	\$65.49
22	1200255022	HANDLE KNOB	POIGNEE DE LA MANIVELLE	1	\$12.59
23	1200255023	RETAINING RING	ANNEAU DE RETENU	1	\$2.59
24	1200255024	HANDLE ROD	POIGNEE	1	\$33.29
25	1200255025	FIXED TIGHT COLLAR	COLLET VISSE	1	\$10.29
26	1200255026	FIXED TIGHT COLLAR	COLLET VISSE	1	\$11.44
27	1200255027	SCREW KEY	CLE D'ECROU	1	\$4.31
28	1200255028	SET SCREW	VIS SANS TETE	2	\$1.78
32	1200255032	SPRING	RESSORT	1	\$7.99
35	1200255035	BEARING SPACER	BAGUE DE ROULEMENT	1	\$5.46
39	1200255039	HANDLE ROD	TIGE DE POIGNEE	3	\$13.74
40	1200255040	KNOB	BOUTON	3	\$4.20
44	1200255044	MICRO ADJUST. INDICATOR (INCH)	INDICATEUR D'AJUSTEMENT IMPER.	1	\$52.84
45	1200255045	WORM COVER	COUVERCLE DE L'ENGRENAGE	1	\$13.74
46	1200255046	BALL BEARING	ROULEMENT A BILLES	2	\$11.44
47	1200255047	WORM SHAFT	TIGE D'ENGRENAGE	1	\$63.19
51	1200255051	THUMB SCREW	BOUTON DE VERROUILLAGE	1	\$8.68
52	1200255052	HEAD BODY FIX BOLT	BOULON DE LA TETE	2	\$7.42
54	1200255054	GRADUATED ROD	TIGE GRADUEE	1	\$45.71
56	1200255056	SWITCH (4 PRONG)	INTERRUPTEUR (4 PATTES)	1	\$11.44
57	1200255057	SWITCH PLATE	PLAQUE DE L'INTERRUPTEUR	1	\$14.89
58	1200255058	HEAD HANDLE	POIGNEE DE LA TETE	1	\$29.61
59	1200255059	WORM SHAFT	TIGE D'ENGRENAGE	1	\$45.83
60	1200255060	WORM GEAR	ENGRENAGE SANS FIN	1	\$34.33
61	1200255061	SHAFT	TIGE	1	\$7.88
62	1200255062	COMPRESSION SPRING	RESSORT A COMPRESSION	1	\$4.89
63	1200255063	PIN	GOUPILLE	1	\$8.80

Pricing subject to change without prior notice. / Prix sujet à changement sans préavis.



Parts Pricing List / Liste de Prix des Pièces

PDM-25

Diag.	Order # Com.	English Description	Description Française	Qty./Qté.	Price/Prix
66	1200255066	MOTOR MOUNT	SUPPORT DU MOTEUR	1	\$51.69
67	1200255067	MOTOR	MOTEUR	1	\$458.85
68	1200255068	PUNCH KEY	POINCON (CLAVETTE)	1	\$13.74
70	1200255070	MOTOR PULLEY	POULIE DU MOTEUR	1	\$109.19
71	1200255071	V-BELT	COURROIE EN "V"	1	\$12.48
72	1200255072	BALL BEARING	ROULEMENT A BILLES	2	\$25.24
74	1200255074	V-BELT	COURROIE EN "V"	1	\$13.40
76	1200255076	SPEED CH. INTER PULLEY BASE	SUPPORT DE POULIE/CHANGEMENT	1	\$68.94
79	1200255079	RUBBER COLLAR	COLLIER DE CAOUTCHOUC	1	\$4.20
85	1200255085	CAP SCREW	BOULON DU RESSORT	1	\$2.07
86	1200255086	CUTTERHEAD (4 KNIVES)	TETE DE COUPE (4 COUTEAUX)	1	\$137.94
87	KDC-12M	DRILL CHUCK	MANDRIN	1	-
104	1200255104	COMPLETE SPRING AND COVER	RESSORT ET COUVERCLE COMPLET	1	\$57.21
105	1200255105	SPRING BASE	BASE DU RESSORT	1	\$29.84
106	1200255106	PINION SHAFT	TIGE DE PIGNON	1	\$86.19
107	1200255107	WORM GEAR	ENGRENAGE	1	\$74.69
108	1200255108	FEED COVER	COUVERCLE DE L'ALIMENTATION	1	\$63.19
110	1200255110	SPRING BASE & TERMINAL ASS'Y	BASE DES TIGES COMPLETE	1	\$73.31
131	1200255131	HEX. BOLT	BOULON HEXAGONAL	5	\$1.55
132	1200255132	WASHER	RONDELLE	4	\$2.24
133	1200255133	PAN HD SCREW	VIS A TETE BOMBEE	3	\$1.67
134	1200255134	HEX. BOLT	BOULON HEXAGONAL	1	\$1.84
135	1200255135	HEX. NUT	ECROU HEXAGONAL	1	\$1.55
136	1200255136	HEX. NUT	ECROU HEXAGONAL	2	\$2.24
137	1200255137	TOOTHED WASHER	RONDELLE DENTELLEE	1	\$3.74
139	1200255139	PAN HD SCREW	VIS A TETE BOMBEE	3	\$1.67
140	1200255140	SPRING PIN	GOUPILLE A RESSORT	2	\$1.67
141	1200255141	HEX. NUT	ECROU HEXAGONAL	3	\$1.61
142	1200255142	KEY	CLE DE RETENUE	1	\$2.47
143	1200255143	CAP SCREW	BOULON A TETE CYLINDRIQUE	2	\$2.07
145	1200255145	SET SCREW	VIS SANS TETE	3	\$1.67
146	1200255146	SET SCREW	VIS SANS TETE	1	\$2.24
147	1200255147	CAP SCREW	BOULON A TETE CYLINDRIQUE	2	\$1.55
148	1200255148	RETAINING RING/SHAFT	ANNEAU DE RETENU/TIGE	1	\$1.55
150	1200255150	HEX. NUT	ECROU HEXAGONAL	2	\$3.39
151	1200255151	WASHER	RONDELLE	2	\$2.24
152	1200255152	PAN HD SCREW	VIS A TETE BOMBEE	6	\$2.47
153	1200255153	SET SCREW	VIS SANS TETE	1	\$1.67
154	1200255154	HEX. NUT	ECROU HEXAGONAL	2	\$2.13
155	1200255155	WASHER	RONDELLE	8	\$1.78
156	1200255156	HEX. BOLT	BOULON HEXAGONAL	4	\$1.90
157	1200255157	HEX. BOLT	BOULON HEXAGONAL	2	\$2.47
158	1200255158	HEX. NUT	ECROU HEXAGONAL	4	\$1.55
159	1200255159	KEY	CLE DE RETENUE	1	\$2.82
160	1200255160	HEX. BOLT	BOULON HEXAGONAL	2	\$1.90
161	1200255161	WASHER	RONDELLE	2	\$1.73
164	1200255164	PAN HD SCREW	VIS A TETE BOMBEE	2	\$2.59

Pricing subject to change without prior notice. / Prix sujet à changement sans préavis.



Parts Pricing List / Liste de Prix des Pièces

PDM-25

Diag.	Order # Com.	English Description	Description Française	Qty./Qté.	Price/Prix
187	1200255187	WASHER	RONDELLE	2	\$2.59
188	1200255188	COUNTERSUNK HD SCREW	VIS A TETE FRAISEE	1	\$1.55
189	1200255189	CUTTERHEAD WASHER	RONDELLE SPECIALE	1	\$3.16
190	1200255190	CUTTERHEAD CAP SCREW	BOULON A TETE CYLINDRIQUE	1	\$2.24
191	1200255191	SHELF	TABLETTE	1	\$26.39
192	1200255192	COMPLETE INTERMEDIATE PULLEY	POULIE INTERMEDIAIRE COMPLETE	1	\$149.44
193	1200255193	BUSHING	MANCHON	1	\$2.59
194	1200255194	SPINDLE COVER	COUVERCLE DE L'ARBRE	1	\$9.14
195	1200255195	SCREW	VIS	2	\$2.01
196	1200255196	CLIP PLATE	ATTACHE DE PLAQUE	1	\$5.23
197	1200255197	PULLEY SPEED CHART	ECHELLE DES VITESSES	1	\$20.64
198	1200255198	FEED HANDLE WHEEL	ROUE D'ENTRAINEMENT	1	\$25.13
199	1200255199	LOCK BOLT WITH KNOB	BOUTON DE VERROUILLAGE	1	\$9.72
201	1200256001	TABLE HANDLE WHEEL	MANIVELLE DE LA TABLE	3	\$68.71
202	1200256002	DIAL CLUTCH	CADRAN D'ENGRENAGE	2	\$68.83
203	1200256003	THRUST BEARING	ROULEMENT A BUTEE	4	\$76.88
204	1200256004	SQUARE FLANGE	BRIDE CARRE	1	\$40.19
205	1200256005	TABLE SCREW	TIGE VISSEE DE LA TABLE	1	\$86.19
206	1200256006	BASE	SOCLE	1	\$385.25
207	1200256007	GIB STRIP	LISIERE	1	\$34.44
208	1200256008	COLUMN BASE	COLONNE	1	\$362.25
209	1200256009	COLUMN FLANGE RING	ANNEAU BRIDE DE COLONNE	1	\$45.94
210	1200256010	RACK	CREMAILLIERE	1	\$68.83
211	1200256011	COLUMN HEAD	TETE DE LA COLONNE	1	\$34.44
212	1200256012	GIB STRIP BOLT	BOULON DE LA LISIERE	2	\$4.54
213	1200256013	LEAF SCREW	BOULON A AILETTE	2	\$20.64
214	1200256014	MOVABLE FIXED BLOCK	BLOC DE MOUVEMENT	1	\$11.44
215	1200256015	TABLE BASE NUT	ECROU DE LA TABLE	1	\$72.39
216	1200256016	CENTER BASE	SOCLE DU CENTRE	1	\$327.75
218	1200256018	COMPLETE ANTIDUST APRON	TABLIER ANTI-MACHE-FER	1	\$13.40
219	1200256019	PLATE FOR ANTIDUST APRON	PLAQUE/TABLIER ANTI-MACHE-FER	1	\$29.61
220	1200256020	TABLE CLUTCH	ENGRENAGE DE LA TABLE	1	\$68.83
222	1200256022	LEFT FLANGE	BRIDE GAUCHE	1	\$26.39
223	1200256023	TABLE NUT	ECROU DE TABLE	1	\$85.96
224	1200256024	TABLE SCREW	TIGE VISSEE DE LA TABLE	1	\$91.94
226	1200256026	RIGHT FLANGE	BRIDE DROITE	1	\$28.69
227	1200256027	GIB STRIP	LISIERE DE TABLE	1	\$34.33
228	1200256028	TABLE	TABLE	1	\$661.25
229	1200256029	FIXED BLOCK	BLOC DE FIXATION	2	\$6.04
230	1200256030	MOVABLE FIXED RING	ANNEAU DE MOUVEMENT	2	\$4.54
231	SS-45	STAND ASS'Y	BASE COMPLETE	1	-
241	1200256141	HEX. NUT	ECROU HEXAGONAL	4	\$1.96
243	1200256143	CAP SCREW	BOULON A TETE CYLINDRIQUE	2	\$1.90
266	1200256166	SPRING PIN	GOUPILLE A RESSORT	3	\$2.24
267	1200256167	INDICATED ZERO WITH SCREW	BOULON DE L'INDICATEUR	2	\$3.39
268	1200256168	OILER	HUILIER	5	\$2.47
269	1200256169	CAP SCREW	BOULON A TETE CYLINDRIQUE	6	\$2.07

Pricing subject to change without prior notice. / Prix sujet à changement sans préavis.



® Parts Pricing List / Liste de Prix des Pièces **PDM-25**

Diag.	Order # Com.	English Description	Description Française	Qty./Qté.	Price/Prix
272	1200256172	HEX. BOLT	BOULON HEXAGONALE	2	\$3.97
273	1200256173	WASHER	RONDELLE	6	\$2.01
274	1200256174	WASHER	RONDELLE	12	\$2.01
275	1200256175	HEX. BOLT	BOULON HEXAGONAL	4	\$2.24
276	1200256176	HEX. BOLT	BOULON HEXAGONAL	2	\$3.74
278	1200256178	CAP SCREW	BOULON A TETE CYLINDRIQUE	1	\$2.07
279	1200256179	HEX. BOLT	BOULON HEXAGONAL	4	\$1.61
280	1200256180	CAP SCREW	BOULON A TETE CYLINDRIQUE	2	\$2.24
284	1200256184	SPRING WASHER	RONDELLE RESSORT	4	\$1.78
285	1200256185	WHEEL HANDLE COMPLETE	POIGNEE DE LA MANIVELLE	3	\$12.59
286	1200256186	CAP SCREW	BOULON A TETE CYLINDRIQUE	2	\$2.07
287	1200256187	3" ANGLE VISE	ETAU A ANGLE 3"	1	\$133.34
288	1200256188	SCALE INDICATOR	PLAQUE D'IDENTIFICATION ZERO	2	\$4.31
289	1200256189	RIVET	RIVET	4	\$1.55
290	1200256190	BRASS DISC	DISQUE EN LAITON	2	\$6.84
291	1200256191	LOCK KNOB	BOUTON DE VERROUILLAGE	2	\$6.73
292	1200256192	SPRING WASHER	RONDELLE RESSORT	3	\$1.67
293	1200256193	CAP SCREW	BOULON A TETE CYLINDRIQUE	2	\$1.67
294	1200256194	COMP. TABLE THREADED SHAFT	TIGE FILETEE DE LA TABLE COMP.	1	\$224.25
295	1200256195	COMP. ACME THREADED SHAFT	TIGE FILETEE ACME COMPLETE	1	\$281.75
298	1200256198	WASHER	RONDELLE	1	\$1.67
299	1200256199	WASHER	RONDELLE	1	\$3.16
	120025MENG	ENGLISH MANUAL PDM-25	MANUEL ANGLAIS PDM-25	1	\$15.00

Pricing subject to change without prior notice. / Prix sujet à changement sans préavis.

Free Manuals Download Website

<http://myh66.com>

<http://usermanuals.us>

<http://www.somanuals.com>

<http://www.4manuals.cc>

<http://www.manual-lib.com>

<http://www.404manual.com>

<http://www.luxmanual.com>

<http://aubethermostatmanual.com>

Golf course search by state

<http://golfingnear.com>

Email search by domain

<http://emailbydomain.com>

Auto manuals search

<http://auto.somanuals.com>

TV manuals search

<http://tv.somanuals.com>