



# Service Manual / Manuel de Service

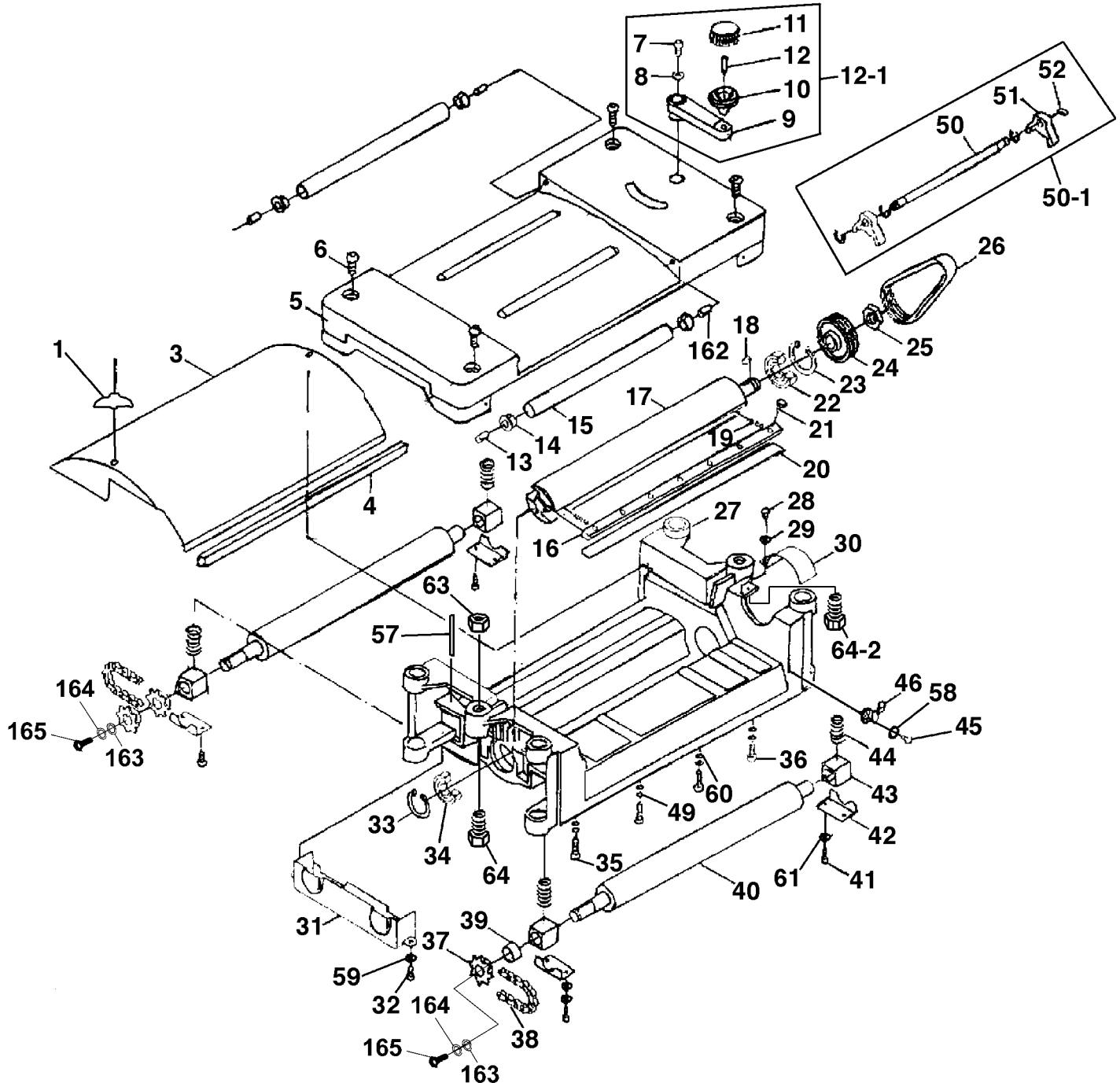
## 12 1/2" Portable Planer Raboteuse Portative 12 1/2"



Revised/Revisé 08/2008

Head Diagram / Diagramme de la Tête

**KC-425C**









## Parts Pricing List / Liste de Prix des Pièces

# KC-425C

| Diag. | Order # Com. | English Description          | Description Française           | Qty./Qté. | Price/Prix |
|-------|--------------|------------------------------|---------------------------------|-----------|------------|
| 1     | 0504250010   | WING NUT                     | ECROU A AILLETTES               | 2         | \$2.47     |
| 3     | 0504250030   | CHIP DEFLECTOR               | DEFLECTEUR DE COPEAUX           | 1         | \$25.13    |
| 4     | 0504250040   | SPONGE PIECE                 | RUBAN EPONGE                    | 1         | \$3.28     |
| 5     | 0504250050   | UPPER GUARD                  | GARDE SUPERIEUR                 | 1         | \$57.33    |
| 6     | 0504250060   | RD. SOC. HD. SCREW           | BOULON A TETE RONDE A DOUILLE   | 4         | \$1.96     |
| 7     | 0504250070   | CAP SCREW                    | BOULON A TETE CYLINDRIQUE       | 1         | \$2.47     |
| 8     | 0504250080   | SPRING WASHER                | RONDELLE A RESSORT              | 1         | \$1.55     |
| 9     | 0504250090   | HANDLE CRANK                 | POIGNEE D'OPERATION             | 1         | \$5.00     |
| 10    | 0504250100   | HANDLE KNOB (LOWER)          | BOUTON DE LA POIGNEE (BAS)      | 1         | \$3.74     |
| 11    | 0504250110   | HANDLE COVER (TOP)           | COUVERCLE DE LA POIGNEE (HAUT)  | 1         | \$3.74     |
| 12    | 0504250120   | HANDLE SHAFT                 | TIGE DE LA POIGNEE              | 1         | \$2.70     |
| 12-1  | 0504250121   | HANDLE ASS'Y                 | MANIVELLE D'OPERATION ASS.      | 1         | \$14.43    |
| 13    | 0504250130   | ROLLER PIN                   | GOUPILLE                        | 4         | \$2.59     |
| 14    | 0504250140   | BUSHING                      | BAGUE                           | 2         | \$3.39     |
| 15    | 0504250150   | ROLLER                       | ROULEAU                         | 1         | \$11.44    |
| 16    | 0504250160   | KNIFE LOCKING BAR            | BARRE DE VERR. DES COUTEAUX     | 2         | \$16.04    |
| 17    | 0504250170   | CUTTERHEAD                   | TETE DE COUPE                   | 1         | \$98.61    |
| 18    | 0504250180   | DOUBLE RD. END KEY           | CLE DE RETENUE                  | 1         | \$1.78     |
| 19    | 0504250190   | SPRING                       | RESSORT                         | 1         | \$2.01     |
| 20    | KKC-125      | SET OF REVERSIBLE KNIVES (2) | JEU DE COUTEAUX REVERSIBLES (2) | 1         | -          |
| 21    | 0504250210   | KNIFE LOCKING BOLT           | BOULON DE VERR. DES COUTEAUX    | 14        | \$2.24     |
| 22    | 0504250220   | BALL BEARING                 | ROULEMENT A BILLES              | 1         | \$12.59    |
| 23    | 0504250230   | RETAINING RING/BORE          | ANNEAU DE RETENU/ALESAGE        | 1         | \$2.59     |
| 24    | 0504250240   | CUTTERHEAD PULLEY            | POULIE DE LA TETE DE COUPE      | 1         | \$14.55    |
| 25    | 0504250250   | PULLEY NUT                   | ECROU DE LA POULIE              | 1         | \$3.05     |
| 26    | 0504250260   | RIB BELT                     | COURROIE EN LANIERES            | 1         | \$33.18    |
| 27    | 0504250270   | UPPER FRAME                  | CHASSIS DU HAUT                 | 1         | \$121.73   |
| 28    | 0504250280   | PAN HD. SCREW                | VIS A TETE BOMBEE               | 2         | \$1.55     |
| 29    | 0504250290   | WASHER                       | RONDELLE                        | 2         | \$1.55     |
| 30    | 0504250300   | PULLEY GUARD                 | PROTECTEUR DE LA POULIE         | 1         | \$4.89     |
| 31    | 0504250310   | CHAIN GUARD                  | PROTECTEUR DE LA CHAINE         | 1         | \$15.70    |
| 32    | 0504250320   | CAP SCREW                    | BOULON A TETE CYLINDRIQUE       | 2         | \$2.24     |
| 33    | 0504250330   | RETAINING RING/BORE          | ANNEAU DE RETENU/ALESAGE        | 1         | \$2.59     |
| 34    | 0504250340   | BALL BEARING                 | ROULEMENT A BILLES              | 1         | \$11.44    |
| 35    | 0504250350   | CAP SCREW                    | BOULON A TETE CYLINDRIQUE       | 2         | \$2.47     |
| 36    | 0504250360   | SPECIAL CAP SCREW            | BOULON À TETE CYLINDRIQUE SPE.  | 2         | \$2.13     |
| 37    | 0504250370   | CHAIN SPROCKET               | ENGRENAGE A CHAINE              | 3         | \$12.59    |
| 38    | 0504250380   | CHAIN                        | CHAINE                          | 2         | \$18.23    |
| 39    | 0504250390   | SPACER COLLAR                | COLLIER D'ESPACEMENT            | 1         | \$3.74     |
| 40    | 0504250400   | RUBBER ROLLER                | ROULEAU EN CAOUTCHOUC           | 2         | \$68.83    |
| 41    | 0504250410   | CAP SCREW                    | BOULON A TETE CYLINDRIQUE       | 8         | \$2.24     |
| 42    | 0504250420   | BRACKET PLATE                | PLAQUE DU SUPPORT               | 4         | \$4.54     |
| 43    | 0504250430   | ROLLER BRACKET               | SUPPORT DU ROULEAU              | 4         | \$8.45     |
| 44    | 0504250440   | BRACKET SPRING               | RESSORT DU SUPPORT              | 4         | \$4.31     |
| 45    | 0504250450   | PAN HD. SCREW                | VIS A TETE BOMBEE               | 1         | \$1.55     |
| 46    | 0504250460   | PLASTIC INDICATOR            | LOUPE INDICATRICE               | 1         | \$4.54     |
| 49    | 0504250490   | SPRING WASHER                | RONDELLE A RESSORT              | 4         | \$1.55     |

Pricing subject to change without prior notice. / Prix sujet à changement sans préavis.



## Parts Pricing List / Liste de Prix des Pièces

# KC-425C

| Diag. | Order # Com. | English Description          | Description Française             | Qty./Qté. | Price/Prix |
|-------|--------------|------------------------------|-----------------------------------|-----------|------------|
| 50    | 0504250500   | GAUGE ROD                    | BARRE DU GUIDE                    | 1         | \$7.88     |
| 50-1  | 0504250501   | KNIFE GAUGE ASS'Y            | ENS. JAUGE A COUTEAUX ASS.        | 1         | \$19.38    |
| 51    | 0504250510   | KNIFE SETTING GUIDE          | GUIDE D'AJUST. DES COUTEAUX       | 2         | \$5.46     |
| 52    | 0504250520   | "E" RETAINING RING           | ANNEAU EN "E"                     | 4         | \$1.55     |
| 57    | 0504250570   | THREADED STUD                | TIGE FILETEE                      | 2         | \$4.54     |
| 58    | 0504250580   | WASHER                       | RONDELLE                          | 1         | \$1.55     |
| 59    | 0504250590   | WASHER                       | RONDELLE                          | 2         | \$1.55     |
| 60    | 0504250600   | WASHER                       | RONDELLE                          | 4         | \$1.61     |
| 61    | 0504250610   | SPRING WASHER                | RONDELLE A RESSORT                | 4         | \$1.55     |
| 63    | 0504250630   | HEX. NUT                     | ECROU HEXAGONAL                   | 1         | \$3.39     |
| 64    | 0504250640   | ELEVATING BOLT (LEFT)        | BOULON D'ELEVATION (GAUCHE)       | 1         | \$9.60     |
| 64-2  | 0504250642   | DRIVE ELEVATING BOLT (RIGHT) | BOULON D'ELEVATION (DROIT)        | 1         | \$9.60     |
| 65    | 0504250650   | THREADED SHAFT (LEFT)        | TIGE FILETEE (GAUCHE)             | 1         | \$22.25    |
| 66    | 0504250660   | DOUBLE RD. END KEY           | CLE DE RETENUE                    | 1         | \$1.55     |
| 67    | 0504250670   | PLASTIC BEVEL GEAR           | ENG. DE PLASTIQUE EN BISEAU       | 2         | \$9.14     |
| 68    | 0504250680   | RETAINING RING/SHAFT         | ANNEAU DE RETENU/TIGE             | 2         | \$1.50     |
| 69    | 0504250690   | DOUBLE RD. END KEY           | CLE DE RETENUE                    | 2         | \$1.55     |
| 70    | 0504250700   | CAP SCREW                    | BOULON A TETE CYLINDRIQUE         | 4         | \$2.24     |
| 71    | 0504250710   | MOUNTING BRACKET             | SUPPORT DE FIXATION               | 2         | \$3.28     |
| 72    | 0504250720   | TRANSMISSION SHAFT           | TIGE DE TRANSMISSION              | 1         | \$11.90    |
| 73    | 0504250730   | TABLE EXTENSION BRACKET      | SUP. D'EXTENSION POUR TABLE       | 4         | \$10.06    |
| 74    | 0504250740   | WASHER                       | RONDELLE                          | 4         | \$1.55     |
| 75    | 0504250750   | LEFT THREADED CAP SCREW      | BOULON A TETE CYLINDRIQUE         | 4         | \$2.47     |
| 76    | 0504250760   | TABLE EXTENSION ROLLER       | ROULEAU DE L'EXTENSION            | 2         | \$10.98    |
| 77    | 0504250770   | DEPTH SCALE                  | ECHELLE DE PROFONDEUR             | 1         | \$9.03     |
| 78    | 0504250780   | HEX. BOLT                    | BOULON HEXAGONAL                  | 4         | \$1.90     |
| 79    | 0504250790   | HEX. NUT                     | ECROU HEXAGONAL                   | 4         | \$1.67     |
| 80    | 0504250800   | TABLE EXTENSION              | EXTENSION DE LA TABLE             | 2         | \$21.79    |
| 81    | 0504250810   | BASE                         | SOCLE                             | 1         | \$114.71   |
| 82    | 0504250820   | WASHER                       | RONDELLE                          | 4         | \$1.61     |
| 83    | 0504250830   | CAP SCREW                    | BOULON A TETE CYLINDRIQUE         | 4         | \$1.84     |
| 84    | 0504250840   | SPRING PIN                   | GOUPILLE A RESSORT                | 4         | \$1.78     |
| 85    | 0504250850   | PAD                          | PLAQUE ANTI-FRICTION              | 1         | \$41.23    |
| 86    | 0504250860   | PAN HD. SCREW                | VIS A TETE BOMBEE                 | 4         | \$1.61     |
| 87    | 0504250870   | GUIDE PLATE                  | GUIDE DE RABOTAGE                 | 2         | \$7.88     |
| 88    | 0504250880   | COLUMN                       | COLONNE                           | 4         | \$14.55    |
| 89    | 0504250890   | DOUBLE RD. END KEY           | CLE DE RETENUE                    | 1         | \$1.55     |
| 90    | 0504250900   | THREADED SHAFT (RIGHT)       | TIGE FILETEE (DROITE)             | 1         | \$22.25    |
| 91    | 0504250910   | CAP SCREW                    | BOULON A TETE CYLINDRIQUE         | 4         | \$1.67     |
| 92    | 0504250920   | FIXING SCREW PLATE           | PLAQUE DE FIX. DE LA TIGE FILETEE | 2         | \$3.28     |
| 93    | 0504250930   | PLASTIC BEVEL GEAR           | ENG. DE PLASTIQUE EN BISEAU       | 2         | \$9.14     |
| 94    | 0504250940   | RETAINING RING/SHAFT         | ANNEAU DE RETENU/TIGE             | 2         | \$1.50     |
| 95    | 0504250950   | SIDE GUARD                   | PROTECTEUR DE COTE                | 2         | \$37.55    |
| 96    | 0504250960   | PAN HD. SCREW                | VIS A TETE BOMBEE                 | 4         | \$1.61     |
| 97    | 0504250970   | ROLLER BUSHING               | BAGUE DU ROULEAU                  | 4         | \$2.93     |
| 98    | 0504250980   | THREADED SHAFT SPRING        | RESSORT DE LA TIGE FILETEE        | 2         | \$16.04    |
| 99    | 0504250990   | CARRYING HANDLE              | POIGNEE DE TRANSPORT              | 2         | \$5.35     |

Pricing subject to change without prior notice. / Prix sujet à changement sans préavis.



## Parts Pricing List / Liste de Prix des Pièces

# KC-425C

| Diag. | Order # Com. | English Description   | Description Française        | Qty./Qté. | Price/Prix |
|-------|--------------|-----------------------|------------------------------|-----------|------------|
| 100   | 0504251000   | SELT TAPPING SCREW    | VIS AUTOTARAUDEUSE           | 8         | \$1.55     |
| 101   | 0504251010   | WASHER                | RONDELLE                     | 4         | \$1.55     |
| 102   | 0504251020   | SPRING WASHER         | RONDELLE A RESSORT           | 4         | \$1.61     |
| 103   | 0504251030   | WASHER                | RONDELLE                     | 8         | \$1.55     |
| 104   | 0504251040   | SPRING WASHER         | RONDELLE A RESSORT           | 4         | \$1.55     |
| 105   | 0504251050   | PAN HD. SCREW         | VIS A TETE BOMBEE            | 4         | \$1.55     |
| 106   | 0504251060   | WASHER                | RONDELLE                     | 4         | \$1.55     |
| 107   | 0504251070   | WASHER                | RONDELLE                     | 4         | \$1.55     |
| 108   | 0504251080   | LOCKING BRACKET       | SUPPORT DE RETENUE           | 2         | \$4.43     |
| 109   | 0504251090   | MOTOR HOUSING (BRUSH) | BOITIER DU MOTEUR (BALAI)    | 1         | \$34.21    |
| 110   | 0504251100   | FIELD COIL ASS'Y      | BOBINE D'ENTRAINEMENT ASS.   | 1         | \$91.83    |
| 111   | 0504251110   | FAN CUSHION           | PROTECTEUR DU VENTILATEUR    | 1         | \$5.58     |
| 112   | 0504251120   | TAPPING SCREW         | VIS AUTOTARAUDEUSE           | 2         | \$3.05     |
| 113   | 0504251130   | BALL BEARING          | ROULEMENT A BILLES           | 1         | \$11.10    |
| 114   | 0504251140   | ARMATURE ASS'Y        | ARMATURE ASSEMBLE            | 1         | \$87.00    |
| 115   | 0504251150   | BALL BEARING          | ROULEMENT A BILLES           | 1         | \$10.29    |
| 116   | 0504251160   | MOTOR PULLEY          | POULIE DU MOTEUR             | 1         | \$14.20    |
| 117   | 0504251170   | CARBON BRUSH HOLDER   | PORTE-BALAI                  | 2         | \$8.68     |
| 118   | 0504251180   | CARBON BRUSH SET (2)  | JEU DE BALAIS AU CARBONE (2) | 1         | \$12.59    |
| 119   | 0504251190   | CARBON BRUSH COVER    | COUVERCLE DES BALAIS         | 2         | \$2.82     |
| 120   | 0504251200   | SET SCREW             | VIS SANS TETE                | 2         | \$1.78     |
| 121   | 0504251210   | GEAR BOX COVER        | COUVERCLE DU BOITIER         | 1         | \$17.08    |
| 122   | 0504251220   | GEAR BOX              | BOITIER DE L'ENGRENAGE       | 1         | \$45.83    |
| 123   | 0504251230   | GEAR SHAFT            | TIGE DE L'ENGRENAGE          | 1         | \$15.93    |
| 124   | 0504251240   | GEAR                  | ENGRENAGE                    | 1         | \$21.33    |
| 125   | 0504251250   | DOUBLE RD. END KEY    | CLE DE RETENUE               | 1         | \$1.55     |
| 126   | 0504251260   | BRONZE BUSHING        | BAGUE EN BRONZE              | 2         | \$2.93     |
| 127   | 0504251270   | GEAR SHAFT            | TIGE DE L'ENGRENAGE          | 1         | \$11.44    |
| 128   | 0504251280   | GEAR                  | ENGRENAGE                    | 1         | \$15.93    |
| 129   | 0504251290   | DOUBLE RD. END KEY    | CLE DE RETENUE               | 1         | \$1.78     |
| 130   | 0504251300   | BUSHING               | BAGUE                        | 2         | \$3.74     |
| 131   | 0504251310   | GEAR                  | ENGRENAGE                    | 1         | \$14.55    |
| 132   | 0504251320   | SHAFT                 | TIGE                         | 1         | \$18.23    |
| 133   | 0504251330   | BALL BEARING          | ROULEMENT A BILLES           | 1         | \$11.44    |
| 134   | 0504251340   | DOUBLE RD. END KEY    | CLE DE RETENUE               | 1         | \$1.78     |
| 135   | 0504251350   | RETAINING RING/SHAFT  | ANNEAU DE RETENU/TIGE        | 2         | \$1.55     |
| 136   | 0504251360   | BALL BEARING          | ROULEMENT A BILLES           | 1         | \$12.25    |
| 137   | 0504251370   | CHAIN SPROCKET        | ENGRENAGE                    | 1         | \$12.59    |
| 138   | 0504251380   | SPACING PLATE         | PLAQUE D'ESPACEMENT          | 1         | \$5.58     |
| 139   | 0504251390   | MOTOR HOUSING SWITCH  | BOITIER DE MOTEUR (INTERR.)  | 1         | \$31.68    |
| 140   | 0504251400   | SWITCH PLATE          | PLAQUE DE L'INTERRUPTEUR     | 1         | \$4.77     |
| 141   | 0504251410   | DUST GUARD            | GARDE ANTI-POUSSIERE         | 1         | \$4.77     |
| 142   | 0504251420   | WIRE PROTECTOR        | PROTEGE-CORDON               | 1         | \$2.59     |
| 143   | 0504251430   | WIRE CLAMP            | ATTACHE-CORDON               | 1         | \$2.47     |
| 144   | 0504251440   | TAPPING SCREW         | VIS AUTOTARAUDEUSE           | 4         | \$2.13     |
| 145   | 0504251450   | TAPPING SCREW         | VIS AUTOTARAUDEUSE           | 3         | \$2.93     |
| 146   | 0504251460   | WASHER                | RONDELLE                     | 2         | \$1.55     |

Pricing subject to change without prior notice. / Prix sujet à changement sans préavis.





## Parts Pricing List / Liste de Prix des Pièces

# KC-425C

| Diag. | Order # Com. | English Description      | Description Française      | Qty./Qté. | Price/Prix |
|-------|--------------|--------------------------|----------------------------|-----------|------------|
| 147   | 0504251470   | PAN HD. SCREW            | VIS A TETE BOMBEE          | 2         | \$1.55     |
| 148   | 0504251480   | WASHER                   | RONDELLE                   | 3         | \$1.55     |
| 149   | 0504251490   | TAPPING SCREW            | VIS AUTOTARAUDEUSE         | 1         | \$3.16     |
| 150   | 0504251500   | POSITIONING PIN          | GOUPILLE DE POSITIONNEMENT | 2         | \$2.01     |
| 151   | 0504251510   | SAFETY PIN               | GOUPILLE DE SECURITE       | 1         | \$2.24     |
| 152   | 0504251520   | POWER CORD               | CORDON D'ALIMENTATION      | 1         | \$27.54    |
| 153   | 0504251530   | SWITCH (4 PRONG)         | INTERRUPTEUR (4 PATTES)    | 1         | \$11.49    |
| 153-2 | 0504251532   | SWITCH (6 PRONG)         | INTERRUPTEUR (6 PATTES)    | 1         | \$14.89    |
| 154   | 0504251540   | SAFETY RESET (15A)       | RELAJ DE SECURITE          | 1         | \$12.48    |
| 155   | 0504251550   | RESET WIRE               | FIL DU RELAJ DE SECURITE   | 1         | \$3.39     |
| 156   | 0504251560   | PAN HD. SCREW            | VIS A TETE BOMBEE          | 1         | \$1.55     |
| 158   | 0504251580   | TOOTH WASHER             | RONDELLE DENTELEE          | 1         | \$1.67     |
| 159   | 0504251590   | SAFETY KEY               | CLE DE SECURITE            | 1         | \$3.39     |
| 160-1 | 0504251601   | COMPLETE MOTOR ASSEMBLY  | MOTEUR COMPLET ASSEMBLE    | 1         | \$171.35   |
| 161   | 0504251610   | RUBBER FOOT              | PIED EN CAOUTCHOUC         | 4         | \$3.05     |
| 162   | 0504251620   | ROLLER PIN W/HEAD        | GOUPILLE AVEC TETE         | 2         | \$2.70     |
| 163   | 0504251630   | WASHER                   | RONDELLE                   | 2         | \$2.01     |
| 164   | 0504251640   | SPRING WASHER            | RONDELLE A RESSORT         | 2         | \$1.55     |
| 165   | 0504251650   | PAN HD. SCREW            | VIS A TETE BOMBEE          | 2         | \$1.67     |
|       | 050425MBIL   | BILINGUAL MANUAL KC-425C | MANUEL BILINGUE KC-425C    | 1         | \$15.00    |

Pricing subject to change without prior notice. / Prix sujet à changement sans préavis.

## Free Manuals Download Website

<http://myh66.com>

<http://usermanuals.us>

<http://www.somanuals.com>

<http://www.4manuals.cc>

<http://www.manual-lib.com>

<http://www.404manual.com>

<http://www.luxmanual.com>

<http://aubethermostatmanual.com>

Golf course search by state

<http://golfingnear.com>

Email search by domain

<http://emailbydomain.com>

Auto manuals search

<http://auto.somanuals.com>

TV manuals search

<http://tv.somanuals.com>