



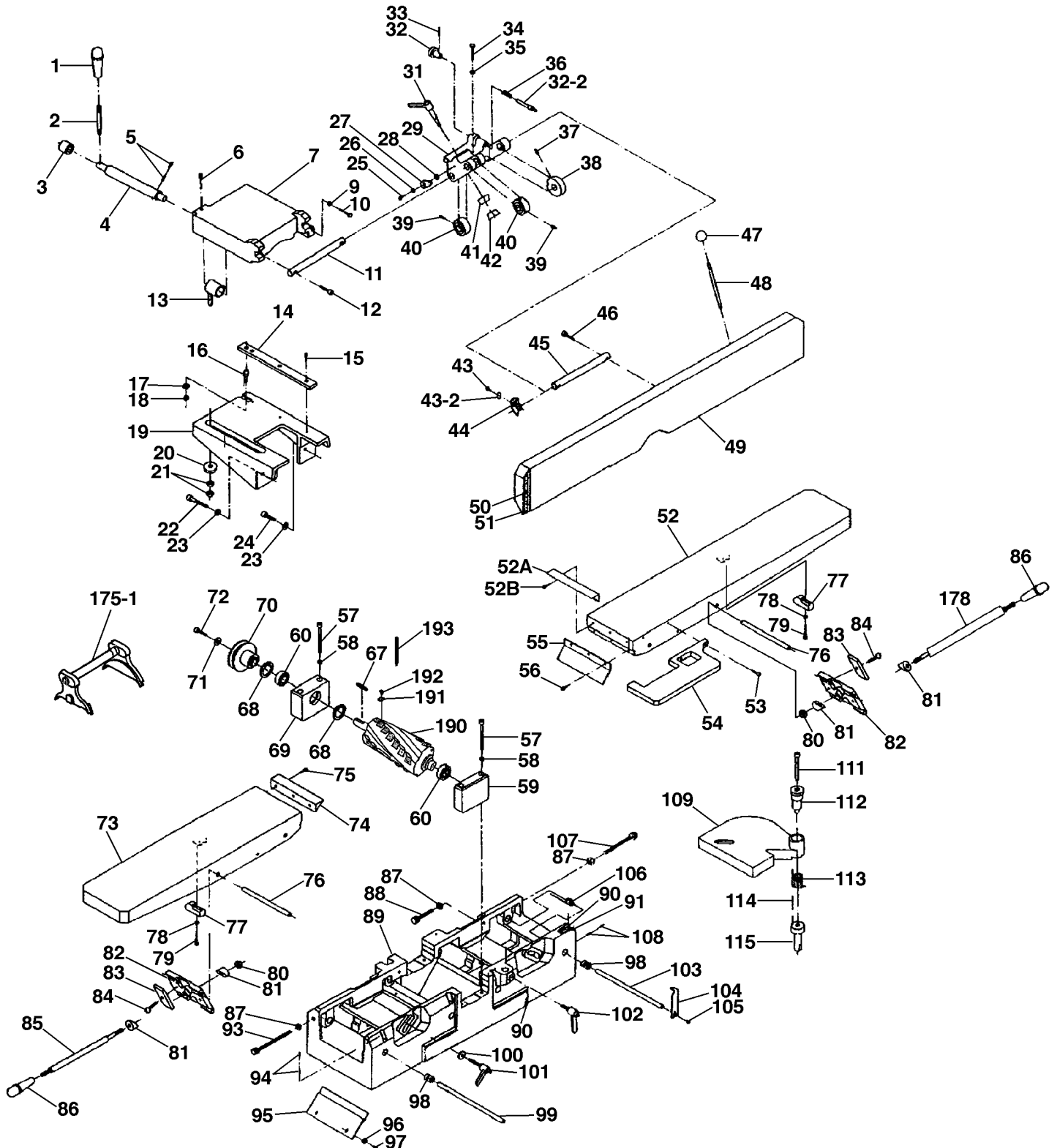
6" Industrial Jointer  
with Spiral Cutterhead  
Dégauchoiseuse Industrielle  
avec Tête de Coupe en Spirale 6"



Revised/Revisé 08/2008

Main Diagram / Diagramme Principale

KC-75FX



# Service Manual / Manuel de Service



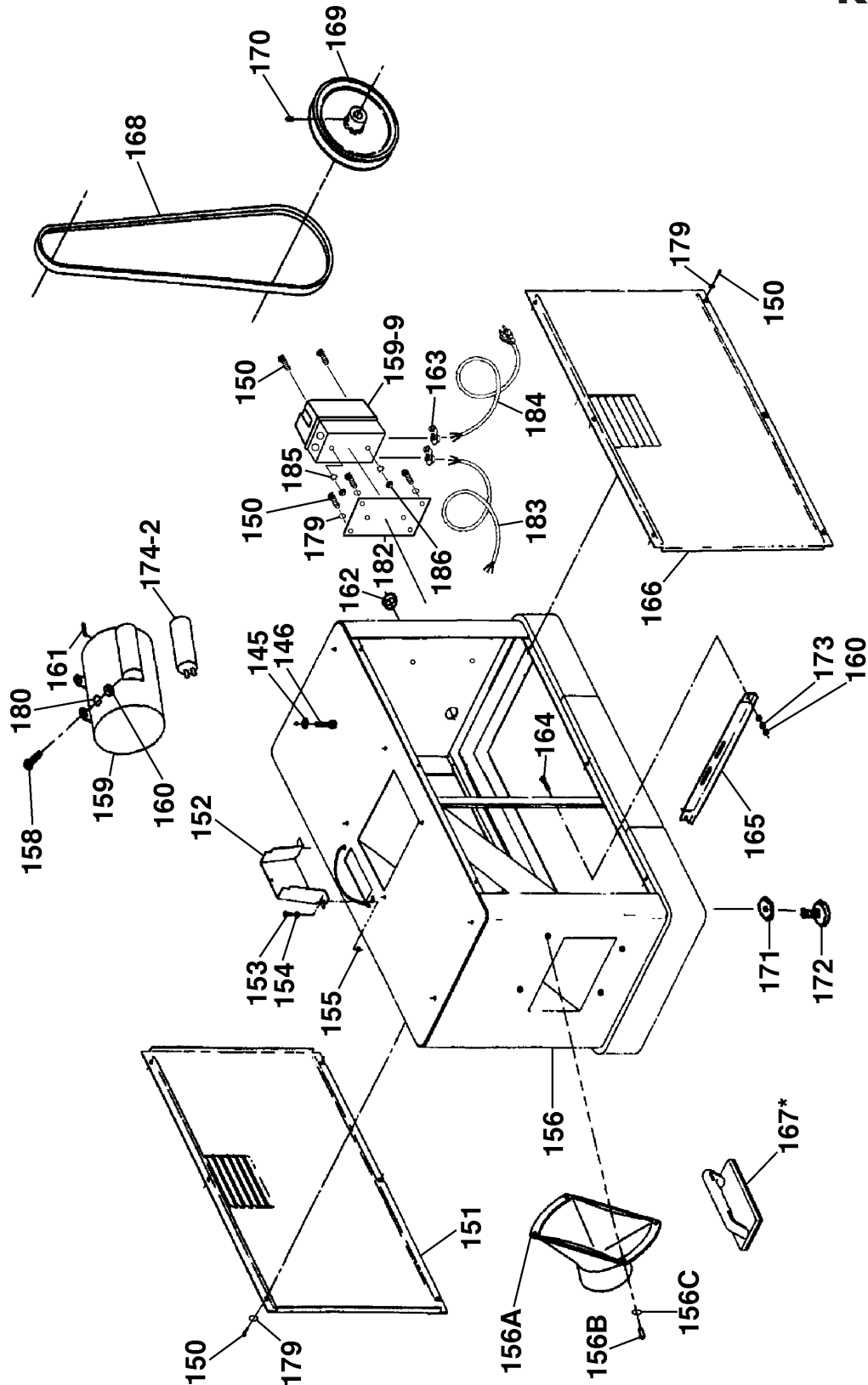
## 6" Industrial Jointer with Spiral Cutterhead Dégauchisseuse Industrielle avec Tête de Coupe en Spirale 6"



Revised/Revisé 08/2008

### Base Diagram / Diagramme de la Base

# KC-75FX





# Parts Pricing List / Liste de Prix des Pièces **KC-75FX**

Diag.	Order # Com.	English Description	Description Française	Qty./Qté.	Price/Prix
1	4500700010	HANDLE KNOB	BOUTON DE LA POIGNEE	1	\$6.50
2	4500700020	HANDLE STUD	TIGE DE LA POIGNEE	1	\$4.54
3	4500700030	LINK BUSHING	BAGUE DE JONCTION	1	\$4.20
4	4500700040	ECCENTRIC SHAFT	TIGE EXCENTRIQUE	1	\$18.00
5	4500700050	SET SCREW	VIS SANS TETE	2	\$1.67
6	4500700060	SET SCREW	VIS SANS TETE	1	\$1.67
7	4500700070	FENCE BRACKET	SUPPORT DU GUIDE	1	\$78.83
9	4500700090	HEX. NUT	ECROU HEXAGONAL	1	\$1.61
10	4500700100	HEX. BOLT	BOULON HEXAGONAL	1	\$1.90
11	4500700110	PIVOT SHAFT	TIGE DE PIVOTEMENT	1	\$10.75
12	4500700120	CAP SCREW	BOULON A TETE CYLINDRIQUE	2	\$1.67
13	4500700130	THREADED "T" BUSHING	BAGUE EN "T" FILETEE	1	\$7.30
14	4500700140	GIB	GLISSIERE	1	\$7.76
15	4500700150	CAP SCREW	BOULON A TETE CYLINDRIQUE	2	\$2.24
16	4500700160	ECCENTRIC SHAFT	TIGE EXCENTRIQUE	1	\$4.43
17	4500700170	WASHER	RONDELLE	1	\$1.67
18	4500700180	HEX. NUT	ECROU HEXAGONAL	1	\$1.55
19	4500700190	FENCE CARRIAGE	CHARRIOT DU GUIDE	1	\$96.31
20	4500700200	BUSHING	BAGUE	1	\$4.31
21	4500700210	HEX. NUT	ECROU HEXAGONAL	2	\$1.78
22	4500700220	CAP SCREW	BOULON A TETE CYLINDRIQUE	1	\$2.93
23	4500700230	WASHER	RONDELLE	2	\$2.13
24	4500700240	CAP SCREW	BOULON A TETE CYLINDRIQUE	1	\$2.13
25	4500700250	PAN HD SCREW	VIS A TETE BOMBEE	1	\$1.67
26	4500700260	WASHER	RONDELLE	1	\$1.50
27	4500700270	POINTER	INDICATEUR	1	\$2.59
28	4500700280	WASHER	RONDELLE	1	\$1.55
29	4500700290	PIVOTING BRACKET	SUPPORT DE PIVOTEMENT	1	\$43.53
31	4500700310	LOCKING HANDLE	POIGNEE DE VERROUILLAGE	1	\$14.43
32	4500700320	INDEX KNOB	BOUTON D'INDEXATION	1	\$3.74
32-2	4500700322	INDEX ROD	TIGE D'INDEXATION	1	\$4.54
33	4500700330	SPRING PIN	GOUPILLE A RESSORT	1	\$2.01
34	4500700340	HEX. BOLT	BOULON HEXAGONAL	1	\$1.90
35	4500700350	HEX. NUT	ECROU HEXAGONAL	1	\$1.61
36	4500700360	COMPRESSION SPRING	RESSORT A COMPRESSION	1	\$3.74
37	4500700370	SET SCREW	VIS SANS TETE	1	\$1.78
38	4500700380	INDEX BUSHING	BAGUE D'INDEXATION	1	\$7.88
39	4500700390	SET SCREW	VIS SANS TETE	2	\$2.24
40	4500700400	LOCKING BUSHING	BAGUE DE VERROUILLAGE	2	\$5.69
41	4500700410	LOCKING BLOCK	BLOC DE VERROUILLAGE	1	\$4.54
42	4500700420	THREADED LOCKING BLOCK	BLOCK DE VERROUILLAGE (FILETEE)	1	\$5.35
43	4500700430	PAN HD SCREW	VIS A TETE BOMBEE	1	\$1.67
43-2	4500700432	WASHER	RONDELLE	1	\$1.55
44	4500700440	TILTING SCALE	EHELLE D'INCLINAISON	1	\$3.85
45	4500700450	PIVOT SHAFT	TIGE DE PIVOTEMENT	1	\$10.29
46	4500700460	CAP SCREW	BOULON A TETE CYLINDRIQUE	2	\$1.90
47	4500700470	HANDLE KNOB	BOUTON DE LA POIGNEE	1	\$3.39

Pricing subject to change without prior notice. / Prix sujet à changement sans préavis.



## Parts Pricing List / Liste de Prix des Pièces **KC-75FX**

Diag.	Order # Com.	English Description	Description Française	Qty./Qté.	Price/Prix
48	4500700480	FENCE BODY STUD	TIGE FILETEE DU GUIDE	1	\$5.69
49	4500700490	FENCE BODY	GUIDE D'APPUI	1	\$166.75
50	4500700500	SCALE	ECELLE D'EPAISSEUR	1	\$4.89
51	4500700510	RIVET	RIVET	2	\$1.44
52	4500700520	TABLE (RIGHT)	TABLE (DROITE)	1	\$226.55
52A	4500700521	TABLE LIP (RIGHT)	LEVRE DE LA TABLE (DROITE)	1	\$28.46
52B	4500700522	CAP SCREW	BOULON A TETE CYLINDRIQUE	3	\$2.13
53	4500700530	CAP SCREW	BOULON A TETE CYLINDRIQUE	2	\$2.47
54	4500700540	RABBETING TABLE EXTENSION	TABLE D'EXTENSION POUR FEUILLURE	1	\$50.31
55	4500700550	CHIP DEFLECTOR	DEFLECTEUR DE COPEAUX	1	\$5.35
56	4500700560	CAP SCREW	BOULON A TETE CYLINDRIQUE	3	\$2.24
57	4500700570	CAP SCREW	BOULON A TETE CYLINDRIQUE	4	\$3.28
58	4500700580	SPRING WASHER	RONDELLE A RESSORT	4	\$1.67
59	4500700590	BEARING BLOCK (LEFT)	BLOC DU ROULEMENT (GAUCHE)	1	\$34.33
60	4500700600	BALL BEARING	ROULEMENT A BILLES	2	\$13.74
67	4500700670	KEY	CLE DE RETENUE	1	\$2.13
68	4500700680	RETAINING RING/BORE	ANNEAU DE RETENU/ALESAGE	2	\$2.82
69	4500700690	BEARING BLOCK (RIGHT)	BLOC DE ROULEMENT (DROIT)	1	\$41.11
70	4500700700	CUTTERHEAD PULLEY	POULIE DE LA TETE DE COUPE	1	\$21.68
71	4500700710	WASHER	RONDELLE	1	\$1.67
72	4500700720	CAP SCREW	BOULON A TETE CYLINDRIQUE	1	\$1.73
73	4500700730	TABLE (LEFT)	TABLE (GAUCHE)	1	\$189.75
74	4500700740	TABLE LIP (LEFT)	LEVRE DE LA TABLE (GAUCHE)	1	\$30.53
75	4500700750	CAP SCREW	BOULON A TETE CYLINDRIQUE	3	\$2.24
76	4500700760	TABLE SHAFT	TIGE DE LA TABLE	4	\$7.19
77	4500700770	TABLE STOPPER	ARRET DE TABLE	2	\$4.31
78	4500700780	SPRING WASHER	RONDELLE A RESSORT	2	\$1.67
79	4500700790	CAP SCREW	BOULON A TETE CYLINDRIQUE	2	\$1.78
80	4500700800	HEX. NUT	ECROU HEXAGONAL	2	\$1.78
81	4500700810	ANGLE BUSHING	BAGUE EN ANGLE	4	\$4.43
82	4500700820	PIVOT BRACKET	SUPPORT DU PIVOT	4	\$27.43
83	4500700830	CLAMP PLATE	PLAQUE D'ATTACHEMENT	8	\$7.88
84	4500700840	CAP SCREW	BOULON A TETE CYLINDRIQUE	8	\$2.36
85	4500700850	ADJUSTMENT LEVER (SHORT)	LEVIER D'AJUSTEMENT (COURT)	1	\$17.08
86	4500700860	LEVER KNOB	BOUTON DU LEVIER	2	\$6.50
87	4500700870	HEX. NUT	ECROU HEXAGONAL	4	\$1.73
88	4500700880	ADJUSTING SCREW (SHORT)	BOULON D'AJUSTEMENT (COURT)	2	\$5.00
89	4500700890	CAST IRON BASE (SPECIAL ORD.)	SOCLE EN FONTE (COMM. SPEC.)	1	\$615.25
90	4500700900	RIVET	RIVET	2	\$1.55
91	4500700910	SCALE	ECELLE DE PROFONDEUR	1	\$3.62
93	4500700930	ADJUSTING SCREW (LONG)	BOULON D'AJUSTEMENT (LONG)	1	\$5.92
94	4500700940	SET SCREW	VIS SANS TETE	2	\$1.55
95	4500700950	CHIP DEFLECTOR	DEFLECTEUR DE COPEAUX	1	\$5.35
96	4500700960	SPRING WASHER	RONDELLE A RESSORT	2	\$1.55
97	4500700970	CAP SCREW	BOULON A TETE CYLINDRIQUE	2	\$2.24
98	4500700980	ECCENTRIC BUSHING	BAGUE EXCENTRIQUE	8	\$4.89
99	4500700990	TABLE SHAFT (BACK)	TIGE DE LA TABLE (ARRIERE)	3	\$9.49

Pricing subject to change without prior notice. / Prix sujet à changement sans préavis.



# Parts Pricing List / Liste de Prix des Pièces **KC-75FX**

Diag.	Order # Com.	English Description	Description Française	Qty./Qté.	Price/Prix
100	4500701000	SPECIAL WASHER	RONDELLE SPECIALE	2	\$3.39
101	4500701010	LOCKING HANDLE	POIGNEE DE VERROUILLAGE	1	\$16.04
102	4500701020	LOCKING HANDLE	POIGNEE DE VERROUILLAGE	1	\$16.04
103	4500701030	TABLE SHAFT (FRONT)	TIGE DE LA TABLE (AVANT)	1	\$10.29
104	4500701040	POINTER	INDICATEUR	1	\$4.54
105	4500701050	PAN HD SCREW	VIS A TETE BOMBEE	1	\$1.55
106	4500701060	SPRING	RESSORT	2	\$5.46
107	4500701070	ADJUSTING SCREW (LONG)	BOULON D'AJUSTEMENT (LONG)	1	\$5.69
108	4500701080	SET SCREW	VIS SANS TETE	2	\$1.67
109	4500701090	CUTTERHEAD GUARD	PROTECTEUR DE LA TETE DE COUPE	1	\$45.83
111	4500701110	CAP SCREW	BOULON A TETE CYLINDRIQUE	1	\$3.28
112	4500701120	ADAPTOR BUSHING	BAGUE ADAPTATEUR	1	\$11.21
113	4500701130	SPRING	RESSORT	1	\$4.89
114	4500701140	SPRING PIN	GOUPILLE A RESSORT	1	\$1.78
115	4500701150	GUARD SUPPORT	SUPPORT DU PROTECTEUR	1	\$11.90
145	4500701450	CAP SCREW	BOULON A TETE CYLINDRIQUE	4	\$1.90
146	4500701460	SPRING WASHER	RONDELLE A RESSORT	4	\$1.67
150	4500701500	PAN HD SCREW	VIS A TETE BOMBEE	18	\$1.67
151	4500701510	BACK PANEL (SPECIAL ORDER)	PANNEAU ARRIERE (COMM. SPEC.)	1	\$90.85
152	4500701520	BELT GUARD	PROTECTEUR DE LA COURROIE	1	\$22.71
153	4500701530	HEX. BOLT	BOULON HEXAGONAL	2	\$1.67
154	4500701540	WASHER	RONDELLE A RESSORT	2	\$1.55
155	4500701550	HEX. NUT	ECROU HEXAGONAL	2	\$1.61
156	4500701560	CABINET STAND (SPECIAL ORDER)	SUPPORT CABINET (COMM. SPEC.)	1	\$442.75
156-A	4500701561	DUST OUTLET	SORTIE POUR COLLECTEUR/POUS.	1	\$11.33
156-B	4500701562	PAN HD SCREW	VIS A TETE BOMBEE	4	\$1.67
156-C	4500701563	WASHER	RONDELLE	4	\$1.55
158	4500701580	CARRIAGE BOLT	BOULON A CARROSSERIE	4	\$2.13
159	4500701590	MOTOR	MOTEUR	1	\$343.85
159-9	4500701599	MAGNETIC SWITCH (110V)	INTERRUPTEUR MAGNETIC (110V)	1	\$136.85
160	4500701600	HEX. NUT	ECROU HEXAGONAL	4	\$1.55
161	4500701610	KEY	CLE DE RETENUE	1	\$1.78
162	4500701620	PROTECTOR RING	ANNEAU DE PROTECTION	1	\$2.13
163	4500701630	STRAIN RELIEF	ATTACHE-FIL	2	\$2.70
164	4500701640	CARRIAGE BOLT	BOULON A CARROSSERIE	4	\$1.78
165	4500701650	MOTOR BRACKET	SUPPORT DU MOTEUR	2	\$6.04
166	4500701660	FRONT SIDE PANEL (SPECIAL ORD.)	PANNEAU AVANT (COMM. SPECIALE)	1	\$93.90
167	K-1400	SAFETY PUSH BLOCKS (2)	BLOCS POUSSOIRE DE SECURITE (2)	1	-
168	4500701680	V-BELT	COURROIE EN "V"	1	\$14.89
169	4500701690	MOTOR PULLEY	POULIE DU MOTEUR	1	\$25.01
170	4500701700	SET SCREW	VIS SANS TETE	2	\$1.55
171	4500701710	HEX. NUT	ECROU HEXAGONAL	4	\$1.73
172	4500701720	SUPPORT FOOT	PIED DE SUPPORT	4	\$3.39
173	4500701730	WASHER	RONDELLE	4	\$1.67
174-2	4500701742	STARTING CAPACITOR (ORIGINAL)	CONDENSATEUR DE DEMAR. (ORIG.)	1	\$39.04
175-1	4500701751	KNIFE GAUGE & ROD ASS'Y	JAUGES A COUTEAUX ET TIGE ASS.	1	\$22.94
178	4500701780	ADJUSTMENT LEVER (LONG)	LEVIER D'AJUSTEMENT (LONG)	1	\$22.25

Pricing subject to change without prior notice. / Prix sujet à changement sans préavis.



# ® Parts Pricing List / Liste de Prix des Pièces **KC-75FX**

Diag.	Order # Com.	English Description	Description Française	Qty./Qté.	Price/Prix
179	4500701790	WASHER	RONDELLE	16	\$1.55
180	4500701800	WASHER	RONDELLE	4	\$1.67
182	4500701820	MAGNETIC SWITCH PLATE	PLAQUE DE L'INTERR. MAGNETIQUE	1	\$20.53
183	4500701830	MOTOR CORD	CORDON ELECTRIQUE DU MOTEUR	1	\$16.04
184	4500701840	POWER CORD	CORDON D'ALIMENTATION	1	\$22.94
185	4500701850	TOOTH WASHER	RONDELLE DENTELEE	2	\$1.67
186	4500701860	HEX. NUT	ECROU HEXAGONAL	2	\$1.55
190	4500751900	SPIRAL CUTTERHEAD	TETE DE COUPE EN SPIRALE	1	\$684.25
191	KW-093	CUTTER INSERT KIT (10 PC)	INSERTION DES COUTEAUX (10 MCX)	1	-
192	4500751920	"TORX" COUNTERSUNK HD SCREW	VIS A TETE FRAISEE "TORX"	32	\$2.01
193	4500751930	"TORX" SCREWDRIVER TIP	EMBOU "TORX"	1	\$2.13
555-5	4500705555	COMPLETE HARDWARE BAG	SAC DE QUINCAILLERIE COMPLET	1	\$26.28
	450075MBIL	BILINGUAL MANUAL KC-75FX	MANUEL BILINGUE KC-75FX	1	\$15.00

Pricing subject to change without prior notice. / Prix sujet à changement sans préavis.

## Free Manuals Download Website

<http://myh66.com>

<http://usermanuals.us>

<http://www.somanuals.com>

<http://www.4manuals.cc>

<http://www.manual-lib.com>

<http://www.404manual.com>

<http://www.luxmanual.com>

<http://aubethermostatmanual.com>

Golf course search by state

<http://golfingnear.com>

Email search by domain

<http://emailbydomain.com>

Auto manuals search

<http://auto.somanuals.com>

TV manuals search

<http://tv.somanuals.com>