



Service Manual / Manuel de Service

5000W Silent Diesel Generator with Electric Start

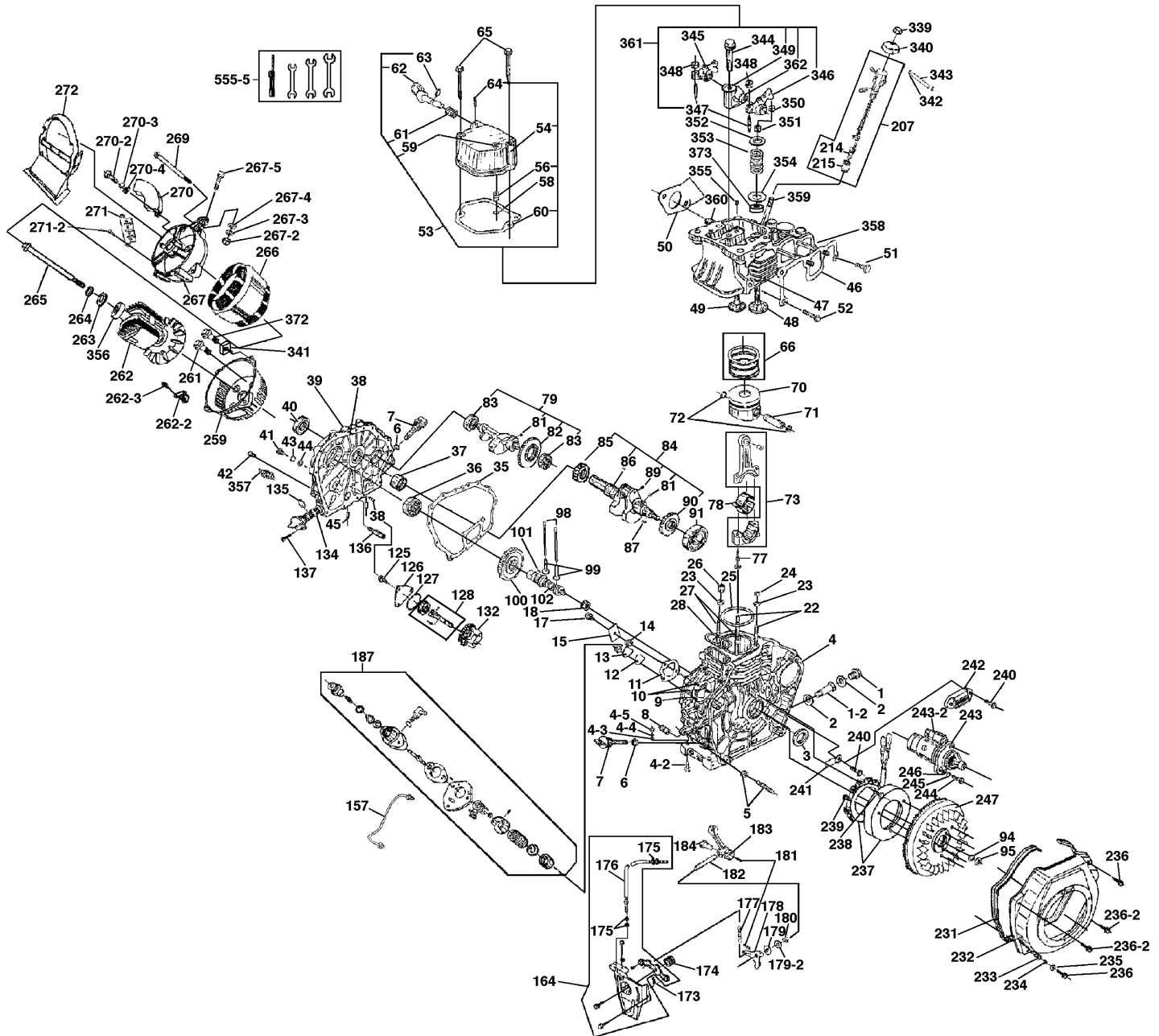
Génératrice Silencieuse au Diesel 5000W avec Démarrage Électrique



Revised/Revisé 08/2008

Engine Diagram / Diagramme du Moteur

KCG-5000DES





Service Manual / Manuel de Service

5000W Silent Diesel Generator with Electric Start

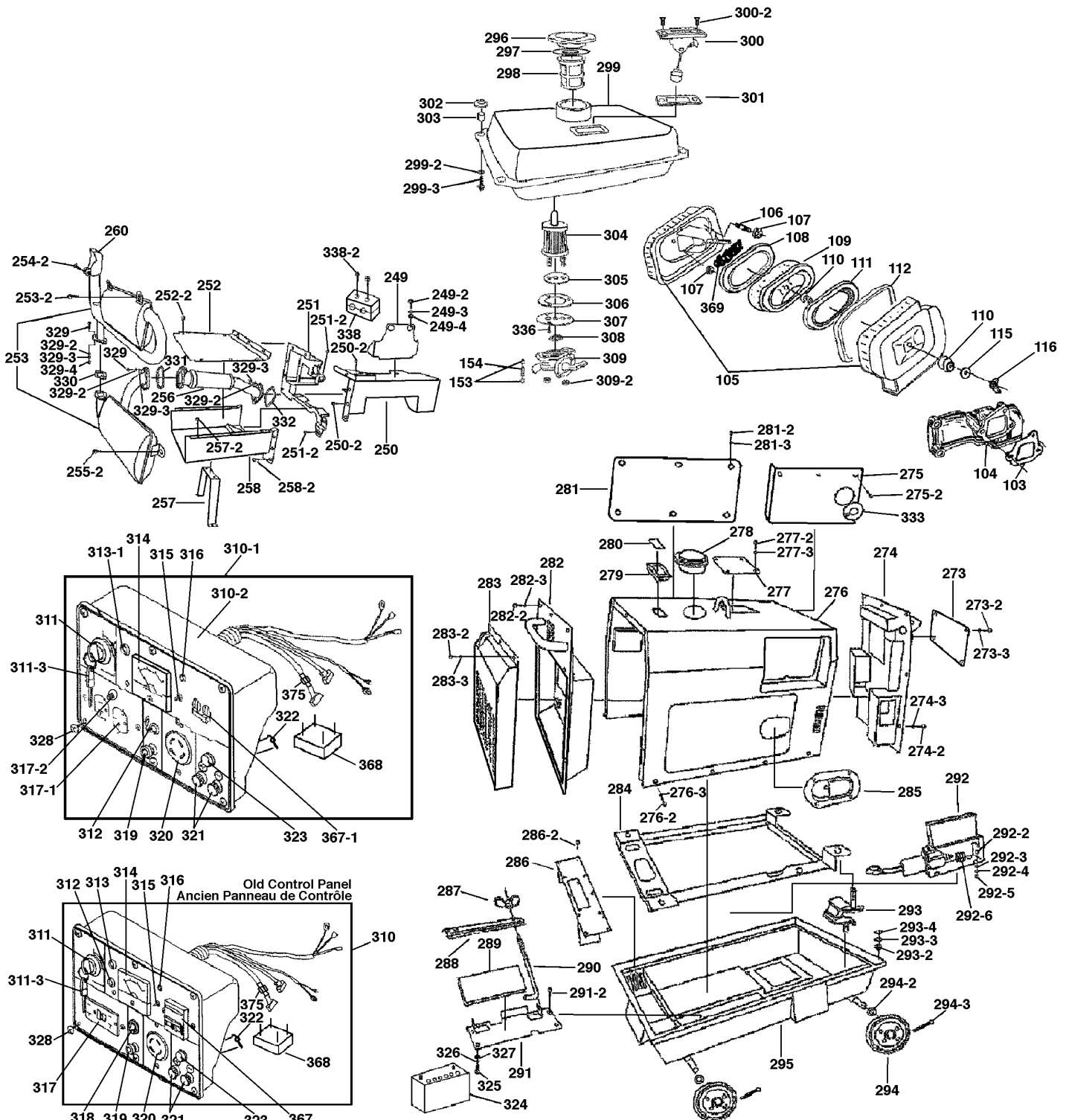
Génératrice Silencieuse au Diesel 5000W avec Démarrage Électrique



Revised/Revisé 08/2008

External Components Diagram / Diagramme des Pièces Externes

KCG-5000DES





Parts Pricing List / Liste de Prix des Pièces **KCG-5000DES**

Diag.	Order # Com.	English Description	Description Française	Qty./Qté.	Price/Prix
1	7950000010	DRAIN PLUG	BOUCHON DE VIDANGE	1	\$3.39
1-2	7950000012	DRAIN PLUG EXTENSION	EXTENSION DU BOUCHON DE VIDANGE	1	\$7.99
2	7950000020	DRAIN PLUG SEAL	RONDELLE DU BOUCHON DE VIDANGE	2	\$1.78
3	7950000030	OIL SEAL	JOINT D'ETANCHEITE DE L'HUILE	1	\$21.79
4	7950000040	CYLINDER BLOCK	BLOC DU CYLINDRE	1	\$626.75
4-2	7950000042	HEX. BOLT	BOULON HEXAGONAL	2	\$2.01
4-3	7950000043	WASHER	RONDELLE	2	\$1.67
4-4	7950000044	SPRING WASHER	RONDELLE A RESSORT	2	\$1.55
4-5	7950000045	HEX. NUT	ECROU HEXAGONAL	2	\$1.73
5	7950000050	FUEL CONTROLLER ASS'Y	CONTROLEUR D'ESSENCE ASS.	1	\$4.89
6	7950000060	O-RING	JOINT TORIQUE	2	\$2.01
7	7950000070	OIL GAUGE	JAUGE D'HUILE	2	\$6.04
8	7950000080	NEEDLE BEARING	ROULEMENT A AIGUILLES	2	\$16.04
9	7950000090	THREADED STUD (SHORT)	TIGE FILETEE (COURTE)	1	\$3.16
10	7950000100	THREADED STUD (LONG)	TIGE FILETEE (LONGUE)	1	\$3.28
11	7950000110	FUEL PUMP GASKET	JOINT D'ETANCHEITE/PUMP A ESS.	1	\$9.14
12	7950000120	SEAL PLATE GASKET	JOINT D'ETANCHEITE DE LA PLAQUE	1	\$5.58
13	7950000130	SEAL PLATE	PLAQUE SCELLANTE	1	\$4.54
14	7950000140	FLANGE HD HEX. NUT	ECROU HEXAGONAL A TETE BRIDEE	3	\$1.55
15	7950000150	BALL BEARING RETAINER	RETENU DU ROULEMENT A BILLES	1	\$4.31
17	7950000170	FLANGE HD HEX. BOLT	BOULON HEXAGONAL A TETE BRIDEE	1	\$1.78
18	7950000180	NEEDLE BEARING	ROULEMENT A AIGUILLES	1	\$19.49
22	7950000220	CYLINDER HEAD STUD (SHORT)	TIGE DE LA TETE DU CYL. (COURTE)	2	\$3.74
23	7950000230	SPECIAL WASHER	RONDELLE SPECIALE	4	\$2.24
24	7950000240	CYLINDER HEAD NUT (SHORT)	ECROU DE LA TETE DU CYL. (COURT)	2	\$1.90
25	7950000250	CYLINDER HEAD GASKET	JOINT D'ETANCHEITE/TETE DU CYL.	1	\$11.44
26	7950000260	CYLINDER HEAD NUT (LONG)	ECROU DE LA TETE DU CYL. (LONG)	2	\$2.82
27	7950000270	CYLINDER HEAD STUD (LONG)	TIGE DE LA TETE DU CYL. (LONGUE)	2	\$4.31
28	7950000280	SEAL RING	ANNEAU SCELLANT	1	\$10.29
35	7950000350	CRANKCASE GASKET	JOINT D'ETANCHEITE DU CARTER	1	\$19.49
36	7950000360	BALL BEARING	ROULEMENT A BILLES	1	\$52.84
37	7950000370	MAIN BUSHING	BAGUE PRINCIPALE	1	\$17.19
38	7950000380	PIN	GOUPILLE	2	\$1.67
39	7950000390	CRANKCASE COVER	COUVERCLE DU CARTER	1	\$258.75
40	7950000400	OIL SEAL	JOINT D'ETANCHEITE A HUILE	1	\$21.79
41	7950000410	FLANGE HD HEX. BOLT	BOULON HEXAGONAL A TETE BRIDEE	16	\$2.13
42	7950000420	FLANGE HD HEX. BOLT	BOULON HEXAGONAL A TETE BRIDEE	1	\$1.78
43	7950000430	SPRING WASHER	RONDELLE A RESSORT	16	\$1.67
44	7950000440	WASHER	RONDELLE	16	\$1.55
45	7950000450	PLUG	BOUCHON	3	\$1.55
46	7950000460	AIR INTAKE GASKET	JOINT D'ETANCHEITE DE L'ADMISSION	1	\$10.29
47	7950000470	CYLINDER HEAD	TETE DU CYLINDRE	1	\$251.85
48	7950000480	INTAKE VALVE	SOUPAPE D'ADMISSION	1	\$13.74
49	7950000490	EXHAUST VALVE	SOUPAPE D'ECHAPPEMENT	1	\$13.74
50	7950000500	EXHAUST GASKET	JOINT D'ETANCHEITE DE L'ECHAP.	1	\$9.14
51	7950000510	FLANGE HD HEX. BOLT	BOULON HEXAGONAL A TETE BRIDEE	2	\$2.24
52	7950000520	FLANGE HD HEX. BOLT	BOULON HEXAGONAL A TETE BRIDEE	1	\$2.47

Pricing subject to change without prior notice. / Prix sujet à changement sans préavis.



Parts Pricing List / Liste de Prix des Pièces **KCG-5000DES**

Diag.	Order # Com.	English Description	Description Française	Qty./Qté.	Price/Prix
53	7950000530	HEAD COVER ASS'Y	ASSEMBLAGE DU COUVERCLE/TETE	1	\$51.69
54	7950000540	HEAD COVER	COUVERCLE DE LA TETE	1	\$40.19
56	7950000560	COMPLETE BREATHER	RENIFLARD COMPLET	1	\$4.54
58	7950000580	O-RING	JOINT TORIQUE	1	\$1.67
59	7950000590	PLUG	BOUCHON	1	\$1.44
60	7950000600	HEAD COVER GASKET	JOINT D'TANCHEITE DU COUVERCLE	1	\$9.95
61	7950000610	DECOMPRESSION SPRING	RESSORT DE DECOMPRESSION	1	\$3.97
62	7950000620	DECOMPRESSION SHAFT	TIGE DE DECOMPRESSION	1	\$11.44
63	7950000630	O-RING	JOINT TORIQUE	1	\$1.67
64	7950000640	PIN	GOUPILLE	1	\$1.78
65	7950000650	FLANGE HD HEX. BOLT	BOULON HEXAGONAL A TETE BRIDEE	2	\$2.59
66	7950000660	PISTON RING SET	ENSEMBLE ANNEAUX DU PISTON	1	\$34.44
70	7950000700	PISTON	PISTON	1	\$74.69
71	7950000710	PISTON PIN	GOUPILLE DU PISTON	1	\$11.44
72	7950000720	RETAINING RING / BORE	ANNEAU DE RETENU / ALESAGE	2	\$2.01
73	7950000730	COMPLETE CONNECTING ROD	BIELLE COMPLETE	1	\$91.94
77	7950000770	ROD BOLT	BOULON DE LA BIELLE	2	\$4.43
78	7950000780	CRANK PIN BUSHING	BAGUE DE LA TIGE DU VILBREQUIN	2	\$26.39
79	7950000790	BALANCE SHAFT ASS'Y	ARBRE D'EQUILIBRAGE ASSEMBLE	1	\$97.69
81	7950000810	KEY	CLE	2	\$1.90
82	7950000820	BALANCE GEAR	ENGRENAGE D'EQUILIBRAGE	1	\$28.69
83	7950000830	BALL BEARING	ROULEMENT A BILLES	2	\$21.79
84	7950000840	CRANKSHAFT ASS'Y	VILBREQUIN ASSEMBLEE	1	\$339.25
85	7950000850	TIMING GEAR	ENGRENAGE DE SYNCHRONISATION	1	\$34.44
86	7950000860	KEY	CLE DE RETENUE	1	\$1.78
87	7950000870	KEY	CLE DE RETENUE	1	\$1.84
89	7950000890	PLUG	BOUCHON	1	\$1.55
90	7950000900	BALANCE DRIVING GEAR	ENGRENAGE D'ENTRAINEMENT/L'EQUIL.	1	\$33.29
91	7950000910	BALL BEARING	ROULEMENT A BILLES	1	\$68.94
94	7950000940	BUSHING	BAGUE	1	\$4.54
95	7950000950	FLYWHEEL NUT	ECROU DU VOLANT	1	\$5.35
98	7950000980	COMPLETE VALVE ROD	TIGE DE LA VALVE COMPLETE	2	\$14.89
99	7950000990	VALVE TAPPET	POUSSOIR DE VALVE	2	\$6.84
100	7950001000	CAMSHAFT TIMING GEAR	ENGRENAGE DE SYNCHR. DE L'ARBRE	1	\$63.19
101	7950001010	KEY	CLE DE RETENUE	1	\$1.78
102	7950001020	CAMSHAFT	ARBRE A CAME	1	\$91.94
103	7950001030	AIR CLEANER GASKET	JOINT D'TANCHEITE DU FILTRE A AIR	1	\$5.69
104	7950001040	INTAKE PIPE	BOYAU D'ADMISSION	1	\$27.54
105	7950001050	COMPLETE AIR FILTER HOUSING	BOITIER DU FILTRE A AIR COMPLET	1	\$68.94
106	7950001060	THREADED STUD	TIGE FILETEE	2	\$2.01
107	7950001070	FLANGE HD HEX. NUT	ECROU HEXAGONAL A TETE BRIDEE	3	\$1.55
108	7950001080	AIR FILTER HOUSING SHOCK ABS.	AMORTISSEUR DU BOITIER DU FILTRE	1	\$6.73
109	7950001090	COMPLETE AIR FILTER ELEMENT	ELEMENT DU FILTRE A AIR COMPLET	1	\$26.39
110	7950001100	BOLT SHOCK ABSORBER	AMORTISSEUR DU BOULON DU COUV.	2	\$2.13
111	7950001110	AIR FILTER COVER SHOCK ABS.	AMORTISSEUR DU COUVERCLE	1	\$6.84
112	7950001120	AIR FILTER COVER SEAL RING	JOINT D'TANCHEITE DU COUVERCLE	1	\$7.99
115	7950001150	SPECIAL WASHER	RONDELLE SPECIALE	1	\$1.55

Pricing subject to change without prior notice. / Prix sujet à changement sans préavis.



Parts Pricing List / Liste de Prix des Pièces **KCG-5000DES**

Diag.	Order # Com.	English Description	Description Française	Qty./Qté.	Price/Prix
116	7950001160	WING NUT	ECROU A AILETTES	1	\$2.01
125	7950001250	FLANGE HD HEX. BOLT	BOULON HEXAGONAL A TETE BRIDEE	3	\$2.01
126	7950001260	OIL PUMP COVER	COUVERCLE DE LA POMPE A L'HUILE	1	\$6.84
127	7950001270	O-RING	JOINT TORIQUE	1	\$1.90
128	7950001280	COMPLETE OIL PUMP	POMPE A HUILE COMPLETE	1	\$16.04
132	7950001320	OIL PUMP GEAR	ENGRENAGE DE POMPE A L'HUILE	1	\$10.29
134	7950001340	OIL FILTER	FILTRE A HUILE	1	\$11.33
135	7950001350	O-RING	JOINT TORIQUE	1	\$1.67
136	7950001360	INTAKE PIPE	BOYAU D'ADMISSION	1	\$3.39
137	7950001370	FLANGE HD HEX. BOLT	BOULON HEXAGONAL A TETE BRIDEE	1	\$2.01
153	7950001530	CLAMP	ATTACHE	2	\$2.13
154	7950001540	FUEL PIPE	BOYAU A ESSENCE	1	\$13.74
157	7950001570	COMPLETE FUEL INJECTION PIPE	BOYAU D'INJECTEUR A ESSENCE COM.	1	\$16.04
164	7950001640	COMPLETE CONTROL LEVER	LEVIER DE CONTROLE COMPLET	1	\$17.19
173	7950001730	SMALL RETURN SPRING	PETIT RESSORT DE RETOUR	1	\$3.28
174	7950001740	BIG RETURN SPRING	GROS RESSORT DE RETOUR	1	\$4.31
175	7950001750	THIN HEX. NUT	ECROU HEXAGONAL MINCE	4	\$1.44
176	7950001760	STARTER SOLENOID CABLE	CABLE DU SOLENOIDE DE DEMARRAGE	1	\$11.44
177	7950001770	GOVERNOR SPRING	RESSORT DU REGULATEUR DE VITESSE	1	\$4.08
178	7950001780	GOVERNOR LEVER	LEVIER DU REGULATEUR DE VITESSE	1	\$7.99
179	7950001790	WASHER	RONDELLE	1	\$1.61
179-2	7950001792	COPPER WASHER	RONDELLE EN CUIVRE	1	\$1.67
180	7950001800	OIL SEAL	JOINT D'ETANCHEITE DE L'HUILE	1	\$10.29
181	7950001810	PIN	GOUPILLE	2	\$1.67
182	7950001820	LEVER SHAFT	TIGE DE LEVIER	1	\$4.54
183	7950001830	LEVER FORK	FOURCHETTE DU LEVIER	1	\$21.79
184	7950001840	GOVERNOR SLIDER	COULISSEAU DU REGULATEUR	1	\$4.54
187	7950001870	COMPLETE FUEL PUMP	POMPE A ESSENCE COMPLETE	1	\$172.44
207	7950002070	COMPLETE FUEL NOZZLE	BUSE A ESSENCE COMPLETE	1	\$160.94
214	7950002140	NOZZLE VALVE	VALVE DE LA BUSE	1	\$11.44
215	7950002150	SPACER FOR FUEL NOZZLE	ESPACEUR POUR BUSE A ESSENCE	1	\$6.84
231	7950002310	FAN COVER SHOCK ABSORBER	AMORTISSEUR DU COUVRE VENTIL.	1	\$13.74
232	7950002320	FAN COVER	COUVRE VENTILATEUR	1	\$51.69
233	7950002330	FAN COVER BOLT SHOCK ABSORBER	AMORTISSEUR DU BOULON DU COUVRE	4	\$3.28
234	7950002340	COLLAR	COLLET	4	\$2.01
235	7950002350	WASHER	RONDELLE	4	\$1.61
236	7950002360	FLANGE HD HEX. BOLT	BOULON HEXAGONAL A TETE BRIDEE	2	\$2.24
236-2	7950002362	FLANGE HD HEX. BOLT	BOULON HEXAGONAL A TETE BRIDEE	2	\$2.36
237	7950002370	FLYWHEEL GENERATOR	VOLANT GENERATEUR	1	\$91.94
238	7950002380	FLANGE HD HEX. BOLT	BOULON HEXAGONAL A TETE BRIDEE	3	\$2.24
239	7950002390	COUNTERSUNK HD SCREW	VIS A TETE FRAISEE	3	\$1.67
240	7950002400	PAN HD SCREW	VIS A TETE BOMBEE	3	\$1.61
241	7950002410	CLAMP	SERRE	1	\$2.59
242	7950002420	REGULATOR	REGULATEUR	1	\$63.19
243	7950002430	STARTING MOTOR	MOTEUR DE DEMARRAGE	1	\$224.25
243-2	795000243-2	STARTER SOLENOID	SOLENOIDE DU DEMARREUR	1	\$57.44
244	7950002440	FLANGE HD HEX. BOLT	BOULON HEXAGONAL A TETE BRIDEE	2	\$2.82

Pricing subject to change without prior notice. / Prix sujet à changement sans préavis.



Parts Pricing List / Liste de Prix des Pièces **KCG-5000DES**

Diag.	Order # Com.	English Description	Description Française	Qty./Qté.	Price/Prix
245	7950002450	SPRING WASHER	RONDELLE A RESSORT	2	\$1.55
246	7950002460	WASHER	RONDELLE	2	\$1.67
247	7950002470	FLYWHEEL WITH GEAR	VOLANT AVEC ENGRENAGE	1	\$149.44
249	7950002490	BRACKET FOR COVER (SPEC. ORD.)	SUPPORT POUR COUV. (COM. SPEC.)	1	\$17.19
249-2	7950002492	FLANGE HD HEX. BOLT	BOULON HEXAGONAL A TETE BRIDEE	2	\$1.90
249-3	7950002493	SPRING WASHER	RONDELLE A RESSORT	2	\$1.67
249-4	7950002494	WASHER	RONDELLE	2	\$1.55
250	7950002500	FRONT FAN HOOD (SPEC. ORD.)	COLLECTEUR AVANT/VEN. (COM. SPEC.)	1	\$28.69
250-2	7950002502	FLANGE HD HEX. BOLT	BOULON HEXAGONAL A TETE BRIDEE	2	\$2.01
251	7950002510	END FAN HOOD (SPEC. ORD.)	COLLECTEUR DU BOUT (COM. SPEC.)	1	\$29.61
251-2	7950002512	FLANGE HD HEX. BOLT	BOULON HEXAGONAL A TETE BRIDEE	2	\$1.78
252	7950002520	GUIDE BELLOWS COVER (SPEC. ORD.)	COUV./SOUFFLET GUIDE (COM. SPEC.)	1	\$11.44
252-2	7950002522	FLANGE HD HEX. BOLT	BOULON HEXAGONAL A TETE BRIDEE	9	\$2.01
253	7950002530	COMPLETE MUFFLER	SILENCIEUX COMPLET	1	\$155.19
253-2	7950002532	FLANGE HD HEX. BOLT	BOULON HEXAGONAL A TETE BRIDEE	2	\$1.78
254-2	7950002542	PAN HD SCREW	VIS A TETE BOMBEE	1	\$1.90
255-2	7950002552	FLANGE HD HEX. BOLT	BOULON HEXAGONAL A TETE BRIDEE	2	\$1.78
256	7950002560	MUFFLER RIPPLE PIPE (SPEC. ORD.)	TUYAU D'OND./SILENCIEUX (COM. SPEC.)	1	\$63.19
257	7950002570	GUIDE BELLOWS BRACK. (SPEC. ORD.)	SUP./SOUFFLERIE GUIDE (COM. SPEC.)	1	\$10.29
257-2	7950002572	FLANGE HD HEX. BOLT	BOULON HEXAGONAL A TETE BRIDEE	2	\$2.07
258	7950002580	GUIDE BELLOWS (SPEC. ORD.)	SOUFFLERIE GUIDE (COM. SPEC.)	1	\$34.44
258-2	7950002582	FLANGE HD HEX. BOLT	BOULON HEXAGONAL A TETE BRIDEE	6	\$2.01
259	7950002590	FRONT COVER	COUVERCLE AVANT	1	\$80.44
260	7950002600	EXHAUST PIPE ELBOW	TUYAU D'ECHAPPEMENT EN COUDE	1	\$9.14
261	7950002610	FLANGE HD HEX. BOLT	BOULON HEXAGONAL A TETE BRIDEE	4	\$1.96
262	7950002620	COMPLETE ROTOR	ROTOR COMPLETE	1	\$316.25
262-2	7950002622	BRUSHES (SET OF 2)	BROSSES (JEU DE 2)	1	\$17.19
262-3	7950002623	FLANGE HD HEX. BOLT	BOULON HEXAGONAL A TETE BRIDEE	1	\$1.96
263	7950002630	WASHER	RONDELLE	1	\$1.84
264	7950002640	SPRING WASHER	RONDELLE A RESSORT	1	\$1.55
265	7950002650	ALTERNATOR BOLT	BOULON DE L'ALTERNATEUR	1	\$5.69
266	7950002660	COMPLETE STATOR	STATOR COMPLETE	1	\$672.75
267	7950002670	REAR COVER	COUVERCLE ARRIERE	1	\$80.44
267-2	7950002672	HEX. NUT	ECROU HEXAGONAL	2	\$1.73
267-3	7950002673	SPRING WASHER	RONDELLE A RESSORT	2	\$1.55
267-4	7950002674	WASHER	RONDELLE	2	\$1.67
267-5	7950002675	HEX. BOLT	BOULON HEXAGONAL	2	\$2.01
269	7950002690	FLANGE HD HEX. BOLT	BOULON HEXAGONAL A TETE BRIDEE	4	\$4.54
270	7950002700	CAPACITOR	CONDENSATEUR	1	\$28.69
270-2	7950002702	HEX. BOLT	BOULON HEXAGONAL	2	\$1.67
270-3	7950002703	SPRING WASHER	RONDELLE A RESSORT	2	\$1.55
270-4	7950002704	WASHER	RONDELLE	2	\$1.67
271	7950002710	TERMINAL BLOCK	BLOC CONNECTEUR	1	\$9.14
271-2	7950002712	FLANGE HD HEX. BOLT	BOULON HEXAGONAL A TETE BRIDEE	2	\$1.67
272	7950002720	END COVER	COUVERCLE DU BOUT	1	\$14.89
273	7950002730	AIR FILTER WINDOW COV. (SPE. ORD.)	COUV. FENETRE/FILTRE (COM. SPEC.)	1	\$17.19
273-2	7950002732	FLANGE HD HEX. BOLT	BOULON HEXAGONAL A TETE BRIDEE	4	\$2.01

Pricing subject to change without prior notice. / Prix sujet à changement sans préavis.



Parts Pricing List / Liste de Prix des Pièces KCG-5000DES

Diag.	Order # Com.	English Description	Description Française	Qty./Qté.	Price/Prix
273-3	7950002733	WASHER	RONDELLE	4	\$1.61
274	7950002740	FRONT ENGINE COVER (SPEC. ORD.)	COUV. MOTEUR AVANT (COM. SPEC.)	1	\$155.19
274-2	7950002742	FLANGE HD HEX. BOLT	BOULON HEXAGONAL A TETE BRIDEE	10	\$2.01
274-3	7950002743	WASHER	RONDELLE	10	\$1.61
275	7950002750	AIR FILTER INTAKE SEAT (SPEC. ORD.)	SIEGE DE L'ADMISSION (COM. SPEC.)	1	\$10.29
275-2	7950002752	FLANGE HD HEX. BOLT	BOULON HEXAGONAL A TETE BRIDEE	6	\$2.01
276	7950002760	SOUNDPROOF COVER (SPEC. ORD.)	COUV. INSONORISE (COM. SPEC.)	1	\$569.25
276-2	7950002762	FLANGE HD HEX. BOLT	BOULON HEXAGONAL A TETE BRIDEE	8	\$2.01
276-3	7950002763	WASHER	RONDELLE	8	\$1.61
277	7950002770	UPPER COVER (SPEC. ORD.)	COUVERCLE DU HAUT (COM. SPEC.)	1	\$14.89
277-2	7950002772	FLANGE HD HEX. BOLT	BOULON HEXAGONAL A TETE BRIDEE	4	\$2.01
277-3	7950002773	WASHER	RONDELLE	4	\$1.61
278	7950002780	GAS CAP SHOCK ABS. (SPEC. ORD.)	AMORTISSEUR/BOUCHON (COM. SPEC.)	1	\$10.29
279	7950002790	FUEL INDICATOR RUBBER SEAL	JOINT EN CAOUTCHOUC DE L'IND.	1	\$7.99
280	7950002800	FUEL INDICATOR GLASS	VITRE DE L'INDICATEUR D'ESSENCE	1	\$6.84
281	7950002810	LEFT SIDE COVER (SPEC. ORD.)	COUV. DU COTE GAUCHE (COM. SPEC.)	1	\$28.69
281-2	7950002812	FLANGE HD HEX. BOLT	BOULON HEXAGONAL A TETE BRIDEE	6	\$2.01
281-3	7950002813	WASHER	RONDELLE	6	\$1.61
282	7950002820	MUFFLER SUP. BOARD (SPEC. ORD.)	PANNEAU DE SUPPORT (COM. SPEC.)	1	\$132.19
282-2	7950002822	FLANGE HD HEX. BOLT	BOULON HEXAGONAL A TETE BRIDEE	7	\$2.01
282-3	7950002823	WASHER	RONDELLE	7	\$1.61
283	7950002830	ENGINE END COVER (SPEC. ORD.)	COUVRE MOTEUR (COM. SPEC.)	1	\$109.19
283-2	7950002832	FLANGE HD HEX. BOLT	BOULON HEXAGONAL A TETE BRIDEE	6	\$2.01
283-3	7950002833	WASHER	RONDELLE	6	\$1.61
284	7950002840	BASE (SPEC. ORD.)	BASE (COM. SPEC.)	1	\$143.69
285	7950002850	LEVER HANDLE	POIGNEE A LEVIER	1	\$51.69
286	7950002860	UNDER PAN AIR HOOD (SPEC. ORD.)	COLLECTEUR D'AIR (COM. SPEC.)	1	\$25.24
286-2	7950002862	FLANGE HD HEX. BOLT	BOULON HEXAGONAL A TETE BRIDEE	10	\$1.67
287	7950002870	WING NUT	ECROU A AISETTES	2	\$2.01
288	7950002880	BATTERY RETAINING BAR	TIGE DE RETENUE DE LA BATTERIE	1	\$5.69
289	7950002890	BATTERY PAD	COUSSINET DE LA BATTERIE	1	\$5.58
290	7950002900	HOOK BOLT	BOULON A CROCHET	2	\$3.39
291	7950002910	BATTERY HOLDER	SUPPORT A BATTERIE	1	\$20.64
291-2	7950002912	FLANGE HD HEX. BOLT	BOULON HEXAGONAL A TETE BRIDEE	4	\$2.01
292	7950002920	CONTROL BOX	BOITE DE CONTROLE	1	\$201.25
292-2	7950002922	FLANGE HD HEX. BOLT	BOULON HEXAGONAL A TETE BRIDEE	2	\$1.90
292-3	7950002923	SPRING WASHER	RONDELLE A RESSORT	2	\$1.67
292-4	7950002924	WASHER	RONDELLE	2	\$1.55
292-5	7950002925	HEX. NUT	ECROU HEXAGONAL	2	\$1.61
292-6	7950002926	STARTER SOLENOID SPRING	RESSORT DU SOLENOIDE DE DEM.	1	\$4.54
293	7950002930	SHOCK ABSORBER	AMORTISSEUR	4	\$14.89
293-2	7950002932	HEX. NUT	ECROU HEXAGONAL	4	\$1.73
293-3	7950002933	SPRING WASHER	RONDELLE A RESSORT	4	\$1.55
293-4	7950002934	WASHER	RONDELLE	4	\$1.67
294	7950002940	WHEEL	ROUE	4	\$17.19
294-2	7950002942	WASHER	RONDELLE	4	\$2.47
294-3	7950002943	COTTER PIN	GOUPILLE FENDUE	4	\$2.01

Pricing subject to change without prior notice. / Prix sujet à changement sans préavis.



Parts Pricing List / Liste de Prix des Pièces **KCG-5000DES**

Diag.	Order # Com.	English Description	Description Française	Qty./Qté.	Price/Prix
295	7950002950	SOUNDPR. UNDER PAN (SPEC. ORD.)	PLATEAU DU BAS (COM. SPEC.)	1	\$339.25
296	7950002960	FUEL TANK CAP	CAPUCHON DU RESERVOIR D'ESSENCE	1	\$18.34
297	7950002970	FUEL CAP SEAL	JOINT D'ETANCHEITE DU BOUCHON	1	\$4.54
298	7950002980	FUEL TANK STRAINER	FILTRE A ESSENCE DU RESERVOIR	1	\$1.78
299	7950002990	FUEL TANK	RESERVOIR D'ESSENCE	1	\$114.94
299-2	7950002992	FLANGE HD HEX. BOLT	BOULON HEXAGONAL A TETE BRIDEE	4	\$2.24
299-3	7950002993	WASHER	RONDELLE	4	\$1.61
300	7950003000	FUEL LEVEL INDICATOR	INDICATEUR DU NIVEAU D'ESSENCE	1	\$22.94
300-2	7950003002	COUNTERSUNK HD SCREW	VIS A TETE FRAISEE	2	\$1.55
301	7950003010	FUEL TANK INDICATOR GASKET	JOINT D'ETANCHEITE DE L'INDICATEUR	1	\$5.23
302	7950003020	SHOCK ABSORBER FOR FUEL TANK	AMORTISSEUR POUR RESERVOIR	4	\$3.39
303	7950003030	METAL SLEEVE	COLLET EN METAL	4	\$2.13
304	7950003040	COMPLETE FUEL FILTER	FILTRE A ESSENCE COMPLET	1	\$11.44
305	7950003050	FUEL FILTER GASKET	JOINT D'ETANCHEITE DU FILTRE D'ESS.	1	\$5.69
306	7950003060	FUEL VALVE GASKET	JOINT D'ETANCHEITE DE LA SOUPE	1	\$5.69
307	7950003070	FUEL VALVE PLATE	PLAQUE DE LA SOUPE D'ESSENCE	1	\$9.14
308	7950003080	O-RING	JOINT TORIQUE	1	\$1.67
309	7950003090	FUEL VALVE	SOUPE D'ESSENCE	1	\$14.89
309-2	7950003092	FLANGE HD HEX. NUT	ECROU HEXAGONAL A TETE BRIDEE	2	\$1.55
310	7950003100	OLD CONTROL PANEL ASS'Y	ANCIEN PANNEAU DE CONTROLE ASS.	1	\$281.75
310-1	7950003101	CONTROL PANEL ASS'Y	PANNEAU DE CONTROLE ASSEMBLE	1	\$281.75
310-2	7950003102	REAR METAL CONTROL PANEL COV.	COUVRE PANNEAU DE CONTROLE ARR.	1	\$17.19
311	7950003110	STARTER SWITCH WITH KEY	INTERRUPTEUR DE DEMARRAGE A/CLE	1	\$57.44
311-3	7950003113	STARTER KEY SET (W/CUT ON RIGHT)	JEUX DE CLES DE DEMARRAGE	1	\$18.34
312	7950003120	LOW OIL WARNING INDICATOR LIGHT	LAMPE D'AVERTISSEMENT DE NIVEAU	1	\$3.16
313	7950003130	OLD POWER INDICATOR LIGHT	ANCIEN LAMPE INDICATRICE/TENS.	1	\$2.93
313-1	7950003131	POWER INDICATOR LIGHT	LAMPE INDICATRICE DE TENSION	1	\$4.54
314	7950003140	VOLTMETER	VOLTMETRE	1	\$17.19
315	7950003150	GLOW PLUG MODULE AND SWITCH	BOUGIE FROIDE ET INTERRUPTEUR	1	\$114.94
316	7950003160	GLOW PLUG INDICATOR LIGHT	INDICATEUR POUR BOUGIE FROIDE	1	\$2.93
317	7950003170	DUAL GFI 120V OUTLET	RECEPTACLE 120V DOUBLE TYPE GFI	1	\$51.69
317-1	7950003171	DUAL 120V OUTLET	RECEPTACLE 120V DOUBLE	1	\$11.44
317-2	7950003172	AC RESET	DISJONCTEUR CA	1	\$13.74
318	7950003180	VOLTAGE SWITCH (120V / 240V)	INTERR. DE VOLTAGE (120V / 240V)	1	\$20.64
319	7950003190	GROUND TERMINAL	BORNE DE MISE A LA TERRE	1	\$4.54
320	7950003200	TWIST LOCK DUAL 120V / 240V OUTLET	RECEPTACLE DOUBLE 120V / 240V	1	\$17.19
321	7950003210	DC TERMINALS	BORNES CC	1	\$4.54
322	7950003220	DC TERMINAL RESISTANCE	RESISTANCE ENTRE LES BORNES CC	1	\$2.59
323	7950003230	FUSE (10 AMPS, 250V)	FUSIBLE (10 AMPS, 250V)	1	\$4.54
324	7950003240	BATTERY	BATTERIE	1	\$91.94
325	7950003250	FLANGE HD HEX. BOLT	BOULON HEXAGONAL A TETE BRIDEE	2	\$1.90
326	7950003260	SPRING WASHER	RONDELLE A RESSORT	2	\$1.67
327	7950003270	HEX. NUT	ECROU HEXAGONAL	2	\$1.61
328	7950003280	PAN HD SCREW	VIS A TETE BOMBEE	6	\$1.61
329	7950003290	FLANGE HD HEX. BOLT	BOULON HEXAGONAL A TETE BRIDEE	4	\$2.13
329-2	7950003292	SPRING WASHER	RONDELLE A RESSORT	6	\$1.67
329-3	7950003293	WASHER	RONDELLE	6	\$1.55

Pricing subject to change without prior notice. / Prix sujet à changement sans préavis.



Parts Pricing List / Liste de Prix des Pièces **KCG-5000DES**

Diag.	Order # Com.	English Description	Description Française	Qty./Qté.	Price/Prix
329-4	7950003294	HEX. NUT	ECROU HEXAGONAL	2	\$1.61
330	7950003300	MUFFLER CONNECTION GASKET	JOINT D'ETANCHEITE DE JONCTION	1	\$4.54
331	7950003310	RIPPLE PIPE EXIT GASKET	JOINT D'ETANCHEITE DE SORTIE	1	\$9.14
332	7950003320	RIPPLE PIPE INLET GASKET	JOINT D'ETANCHEITE D'ENTREE	1	\$4.54
333	7950003330	AIR FILTER SHOCK ABS. (SPEC. ORD.)	AMORTISSEUR DE L'ENT. (COM. SPEC.)	1	\$10.29
336	7950003360	PAN HD SCREW	VIS A TETE BOMBEE	3	\$1.55
338	7950003380	FUEL LINE SHOCK ABSORBER	AMORTISSEUR DE LA LIGNE D'ESSENCE	1	\$5.69
338-2	7950003382	FLANGE HD HEX. BOLT	BOULON HEXAGONAL A TETE BRIDEE	2	\$2.24
339	7950003390	FLANGE HD HEX. NUT	ECROU HEXAGONAL A TETE BRIDEE	2	\$1.55
340	7950003400	FUEL INJECTOR RETAINING PLATE	PLAQUE DE RETENUE DE L'INJECTEUR	1	\$6.50
341	7950003410	RECTIFIER	REDRESSEUR	1	\$11.44
342	7950003420	FUEL RETURN CLIP	ATTACHE DE LA LIGNE DE RETOUR	2	\$2.24
343	7950003430	FUEL RETURN LINE	LIGNE DE RETOUR D'ESSENCE	1	\$9.14
344	7950003440	FLANGE HD HEX. BOLT	BOULON HEXAGONAL A TETE BRIDEE	1	\$2.93
345	7950003450	EXHAUST ROCKER ARM	BRAS DE CULBUTAGE DE L'ECHAP.	1	\$11.44
346	7950003460	INTAKE ROCKER ARM	BRAS DE CULBUTAGE DE L'ADMISSION	1	\$11.21
347	7950003470	VALVE SCREW	VIS DE SOUPE	2	\$3.16
348	7950003480	SPECIAL HEX. NUT	ECROU HEXAGONAL SPECIALE	2	\$2.59
349	7950003490	ROCKER ARM SUPPORT	SUPPORT DES BRAS DE CULBUTAGE	1	\$7.99
350	7950003500	VALVE CAP	CAPUCHON DE SOUPE	2	\$4.54
351	7950003510	VALVE COTTER	CLAVETTE DE SOUPE	2	\$4.43
352	7950003520	SPRING RETAINER	RETENU DU RESSORT	2	\$5.46
353	7950003530	VALVE SPRING	RESSORT DE SOUPE	2	\$10.29
354	7950003540	VALVE SPRING WASHER	RONDELLE POUR RESSORT/SOUPE	2	\$4.89
355	7950003550	PIN	GOUPILLE	1	\$1.67
356	7950003560	BALL BEARING W/ RETAINING RING	ROULEMENT A BILLES AVEC ANNEAU	1	\$25.24
357	7950003570	OIL PRESSURE SWITCH	INTERRUPTEUR DE PRESSION D'HUILE	1	\$25.24
358	7950003580	THREADED STUD	TIGE FILETEE	2	\$3.97
359	7950003590	THREADED STUD	TIGE FILETEE	2	\$3.74
360	7950003600	THREADED STUD	TIGE FILETEE	2	\$2.24
361	7950003610	ROCKER ARM ASS'Y	ASSEMBLAGE DES BRAS CULBUTEURS	1	\$34.44
362	7950003620	ROCKER ARM SHAFT	TIGE DES BRAS CULBUTEURS	1	\$4.43
367	7950003670	OLD CIRCUIT BREAKER	ANCIEN DISJONCTEUR	1	\$57.44
367-1	7950003671	CIRCUIT BREAKER	DISJONCTEUR	1	\$57.44
368	7950003680	DIODE BRIDGE	REDRESSEUR EN PONT	1	\$57.44
369	7950003690	GLOW SPRING	BOUGIE FROIDE	1	\$17.19
372	7950003720	FLANGE HD HEX. BOLT	BOULON HEXAGONAL A TETE BRIDEE	1	\$1.96
373	7950003730	VALVE SEAL	JOINT D'ETANCHEITE DE VALVE	2	\$11.44
375	7950003750	IN-LINE FUSE HOLDER	PORTE FUSIBLE EN LIGNE	2	\$4.54
555-5	7950005555	TOOL BAG	SAC A OUTILS	1	\$7.99
	795000MBIL	BILINGUAL MANUAL KCG-5000DES	MANUEL BILINGUE KCG-5000DES	1	\$15.00

Pricing subject to change without prior notice. / Prix sujet à changement sans préavis.

Free Manuals Download Website

<http://myh66.com>

<http://usermanuals.us>

<http://www.somanuals.com>

<http://www.4manuals.cc>

<http://www.manual-lib.com>

<http://www.404manual.com>

<http://www.luxmanual.com>

<http://aubethermostatmanual.com>

Golf course search by state

<http://golfingnear.com>

Email search by domain

<http://emailbydomain.com>

Auto manuals search

<http://auto.somanuals.com>

TV manuals search

<http://tv.somanuals.com>