



# Service Manual / Manuel de Service

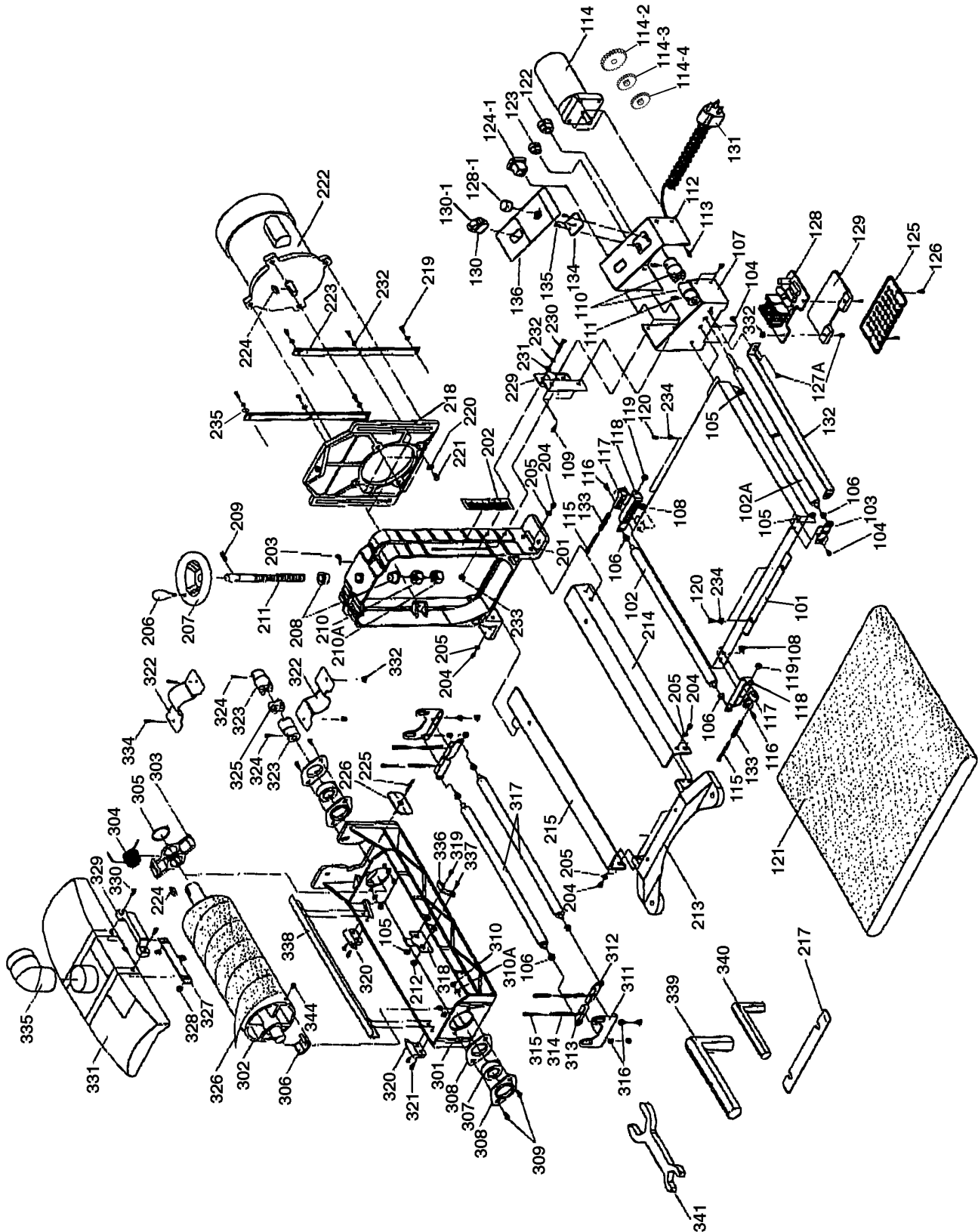
## 16" Open Drum Sander Ponceuse Ouverte à Tambour 16"



Revised/Revisé 08/2008

Main Diagram / Diagramme Principale

KC-1632DS





Service Manual / Manuel de Service

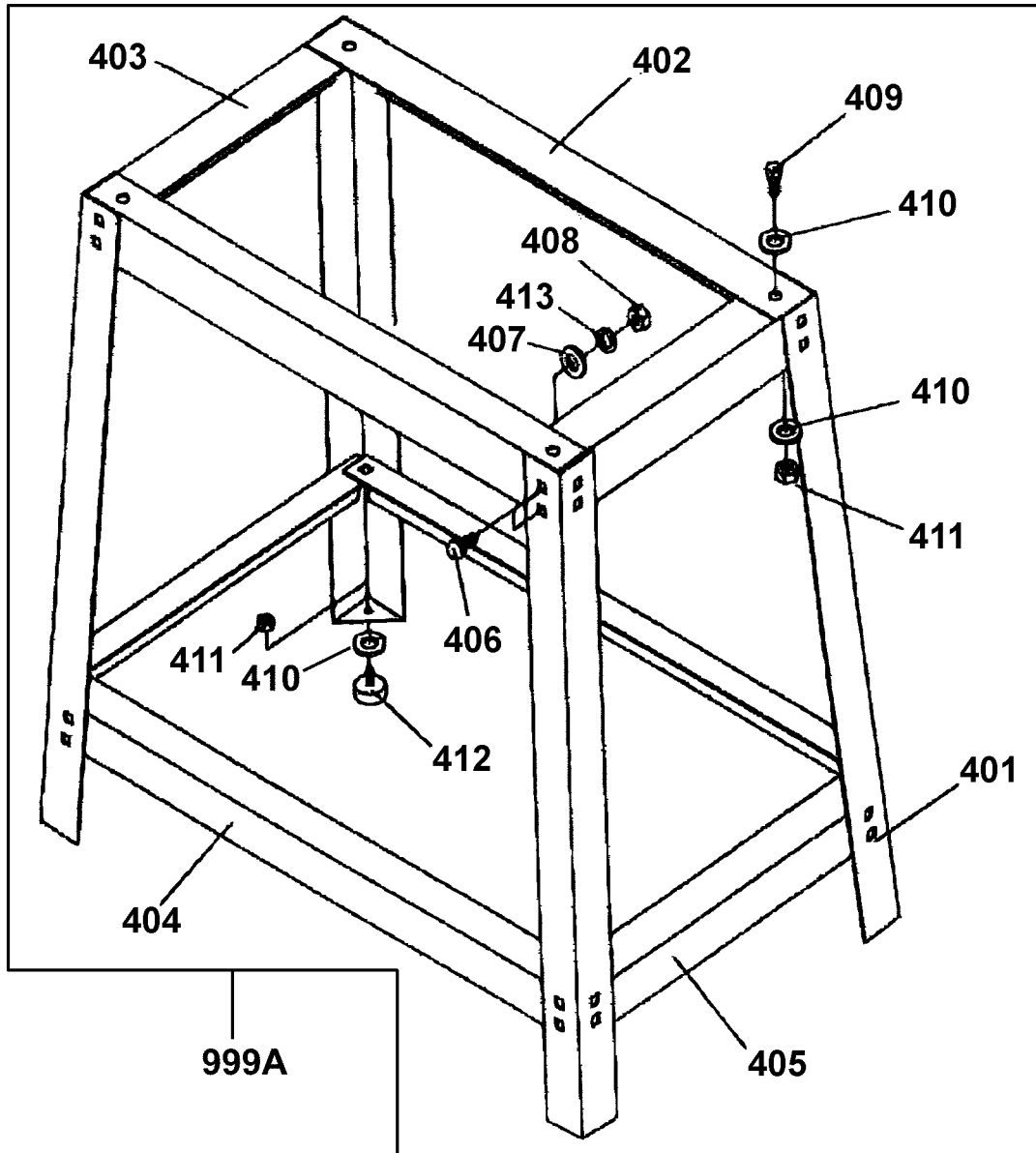
# 16" Open Drum Sander Ponceuse Ouverte à Tambour 16"



Revised/Revisé 08/2008

Stand Diagram / Diagramme du Support

**KC-1632DS**





## Parts Pricing List / Liste de Prix des Pièces

# KC-1632DS

Diag.	Order # Com.	English Description	Description Française	Qty./Qté.	Price/Prix
101	1116321010	FEED TABLE	TABLE D'ALIMENTATION	1	\$166.69
102	1116321020	OUTFEED ROLLER	ROULEAU DE SORTIE	1	\$20.53
102A	1116321021	INFEED ROLLER	ROULEAU D'ENTRE	1	\$66.64
103	1116321030	FIXING PLATE	PLAQUE DE FIXATION	1	\$8.68
104	1116321040	CARRIAGE BOLT	BOULON A CARROSSERIE	4	\$2.01
105	1116321050	HEX. NUT	ECROU HEXAGONAL	4	\$1.55
106	1116321060	BRASS SHOULDER BUSHING	BAGUE D'EPAULEMENT EN BRONZE	8	\$5.23
107	1116321070	SWITCH BOX HOUSING	BOITIER DE L'INTERRUPTEUR	1	\$22.71
108	1116321080	HEX. NUT	ECROU HEXAGONAL	4	\$1.73
109	1116321090	HEX. BOLT	BOULON HEXAGONAL	4	\$1.73
110	1116321100	AXLE COUPLING	AXE D'ACCOUPEMENT	2	\$11.44
111	1116321110	SET SCREW	VIS SANS TETE	2	\$1.55
112	1116321120	SWITCH BOX COVER	COUVERCLE DU BOITIER	1	\$34.21
113	1116321130	SCREW	VIS	4	\$1.61
114	1116321140	REDUCTION MOTOR	MOTEUR DE LA COURROIE	1	\$286.35
114-2	1116321142	MOTOR FEED GEAR -37T	ENGRENAGE DE L'ENTRAINEUR -37D	1	\$14.66
114-3	1116321143	MOTOR FEED GEAR -39T	ENGRENAGE DE L'ENTRAINEUR -39D	1	\$16.04
114-4	1116321144	MOTOR FEED GEAR -49T	ENGRENAGE DE L'ENTRAINEUR -49D	1	\$17.08
115	1116321150	PAN HD SCREW	VIS A TETE BOMBEE	2	\$2.47
116	1116321160	CAP SCREW	BOULON A TETE CYLINDRIQUE	4	\$2.24
117	1116321170	TENSION ADJUSTMENT BLOCK	BLOC D'AJUSTEMENT DE LA TENSION	2	\$5.58
118	1116321180	ADJUSTMENT SLIDE PLATE	PLAQUE D'AJUSTEMENT COULISSANTE	2	\$5.69
119	1116321190	NYLON HEX. NUT	ECROU HEXAGONAL AVEC NYLON	2	\$2.01
120	1116321200	CAP SCREW	BOULON A TETE CYLINDRIQUE	4	\$2.01
121	1116321210	BELT	COURROIE	1	\$206.94
122	1116321220	CABLE HOLDER	ATTACHE CORDON	1	\$2.59
123	1116321230	CABLE HOLDER	ATTACHE CORDON	1	\$2.59
124-1	1116321241	PLUG W/ WIRES	PRISE AVEC FILS	1	\$10.06
125	1116321250	SWITCH BOX BOTTOM PLATE	PLAQUE DU BOITIER (BAS)	1	\$6.61
126	1116321260	SCREW	VIS	2	\$2.01
127A	1116321271	SCREW	VIS	4	\$2.01
128	1116321280	PC BOARD	PANNEAU DE CONTROLE	1	\$49.39
128-1	1116321281	VARIABLE SPEED KNOB	BOUTON POUR VITESSE VARIABLE	1	\$4.43
129	1116321290	INSULATED BOARD	PLAQUE D'ISOLATION	1	\$4.43
130	1116321300	SWITCH (4 PRONG)	INTERRUPTEUR (4 PATTES)	1	\$11.44
130-1	1116321301	SAFETY SWITCH KEY	CLE DE SECURITE POUR L'INTERR.	1	\$3.39
131	1116321310	POWER CORD	CORDON D'ALIMENTATION	1	\$22.94
132	1116321320	FRONT NIP GUARD	GARDE AVANT	1	\$14.89
133	1116321330	FIXED SPRING	RESSORT FIXE	2	\$5.46
134	1116321340	RESISTANCE BOARD	PANNEAU DE RESISTANCE	1	\$4.20
135	1116321350	SCREW	VIS	2	\$2.01
136	1116321360	INDICATOR	PLAQUE INDICATRICE	1	\$5.35
201	1116322010	ARCH	ARCHE	1	\$339.25
202	1116322020	DEPTH INDICATOR	INDICATEUR DE PROFONDEUR	1	\$5.23
203	1116322030	ROTATION INDICATOR	INDICATEUR DE ROTATION	1	\$4.89
204	1116322040	HEX. BOLT	BOULON HEXAGONAL	8	\$1.90
205	1116322050	WASHER	RONDELLE	8	\$1.61

Pricing subject to change without prior notice. / Prix sujet à changement sans préavis.



## Parts Pricing List / Liste de Prix des Pièces

# KC-1632DS

Diag.	Order # Com.	English Description	Description Française	Qty./Qté.	Price/Prix
206	1116322060	HANDLE KNOB	POIGNEE DE LA MANIVELLE	1	\$10.29
207	1116322070	HEIGHT CONTROL WHEEL	MANIVELLE POUR HAUTEUR	1	\$17.19
208	1116322080	CONNECTING BRASS BUSHING	BAGUE DE CONNECTION EN BRONZE	2	\$6.27
209	1116322090	SET SCREW	VIS SANS TETE	1	\$1.67
210	1116322100	THIN HEX. NUT	ECROU HEXAGONAL MINCE	2	\$2.47
210A	1116322101	THIN HEX. NUT	ECROU HEXAGONAL MINCE	2	\$2.47
211	1116322110	HEIGHT CONTROL SHAFT	TIGE	1	\$33.18
212	1116322120	NYLON HEX. NUT	ECROU HEXAGONAL AVEC NYLON	1	\$1.78
213	1116322130	ARCH STAND	SUPPORT DE L'ARCHE	1	\$57.33
214	1116322140	FEED ROLLER SUPPORT (L)	SUPPORT DU ROULEAU (G)	1	\$26.39
215	1116322150	FEED ROLLER SUPPORT (R)	SUPPORT DE ROULEAU (D)	1	\$26.39
217	1116322170	ADJUSTING SHIM	CLE D'AJUSTEMENT	2	\$4.31
218	1116322180	MOTOR MOUNTING FRAME	SUPPORT DE MOTEUR	1	\$114.94
219	1116322190	CAP SCREW	BOULON A TETE CYLINDRIQUE	6	\$1.78
220	1116322200	WASHER	RONDELLE	4	\$1.84
221	1116322210	HEX. BOLT	BOULON HEXAGONAL	4	\$2.01
222	1116322220	MOTOR	MOTEUR	1	\$343.85
223	1116322230	SLIDING GUIDE	GLISSIERE	2	\$20.30
224	1116322240	KEY	CLE DE RETENUE	2	\$2.01
225	1116322250	INDICATOR ROD	TIGE INDICATEUR	1	\$4.20
226	1116322260	INDICATOR PLATE	PLAQUE INDICATEUR	1	\$4.54
229	1116322290	ARCH BRACKET	SUPPORT DE L'ARCHE	1	\$11.44
230	1116322300	HEX. BOLT	BOULON HEXAGONAL	2	\$1.90
231	1116322310	WASHER	RONDELLE	2	\$1.61
232	1116322320	SPRING WASHER	RONDELLE A RESSORT	8	\$1.67
233	1116322330	NYLON HEX. NUT	ECROU HEXAGONAL AVEC NYLON	2	\$1.78
234	1116322340	WASHER	RONDELLE	4	\$1.61
235	1116322350	WASHER	RONDELLE	4	\$1.55
301	1116323010	DRUM CASE	BOITIER DU TAMBOUR	1	\$224.25
302	1116323020	DRUM ROLLER ASSEMBLY	ROULEAU DE TAMBOUR ASSEMBLE	1	\$247.25
303	1116323030	PULL CLAMP BRACKET ASS'Y (LRG)	SUP. DU LEVIER DE RETENUE ASS. (LRG)	2	\$25.01
304	1116323040	SPRING	RESSORT	1	\$11.44
305	1116323050	RETAINING RING	ANNEAU DE RETENU	1	\$2.47
306	1116323060	FIXED CLAMP BRACKET ASS'Y (SM.)	SUPPORT FIXE DE SERRAGE ASS. (PET.)	1	\$13.74
307	1116323070	BEARING	ROULEMENT A BILLES	2	\$19.49
308	1116323080	BEARING CAP	CAPUCHON DU ROULEMENT	4	\$7.99
309	1116323090	CARRIAGE BOLT	BOULON A CARROSSERIE	4	\$2.13
310	1116323100	NUT	ECROU	4	\$1.55
310A	1116323101	SPRING WASHER	RONDELLE A RESSORT	4	\$1.67
311	1116323110	FIXING BLOCK	BLOC DE FIXATION	2	\$6.50
312	1116323120	FIXING BRACKET (L)	SUPPORT DE FIXATION (G)	2	\$10.29
313	1116323130	FIXING BRACKET (R)	SUPPORT DE FIXATION (D)	2	\$9.03
314	1116323140	SPRING	RESSORT	4	\$5.12
315	1116323150	PAN HD SCREW	VIS A TETE BOMBEE	4	\$2.13
316	1116323160	NUT	ECROU	8	\$1.55
317	1116323170	FASTEN BAR	BARRE DE FIXATION	2	\$18.34
318	1116323180	FASTEN PLATE	PLAQUE DE FIXATION	1	\$5.46

Pricing subject to change without prior notice. / Prix sujet à changement sans préavis.



## Parts Pricing List / Liste de Prix des Pièces

# KC-1632DS

Diag.	Order # Com.	English Description	Description Française	Qty./Qté.	Price/Prix
319	1116323190	COUNTERSUNK SCREW	VIS A TETE FRAISEE	1	\$1.67
320	1116323200	COVER HINGE	CHARNIERE	2	\$2.59
321	1116323210	COUNTERSUNK SCREW	VIS A TETE FRAISEE	4	\$1.78
322	1116323220	AUX. GUARD	GARDE AUX.	2	\$6.27
323	1116323230	COMPOUND JOINTER	JOINT COMPOSE	2	\$11.44
324	1116323240	SET SCREW	VIS SANS TETE	2	\$1.55
325	1116323250	COMPOUND BLOCK	BLOC COMPOSE	1	\$26.39
326	SB-390-**	SANDING BELT	COURROIE DE PONCAGE	1	-
327	1116323270	HOOKING PLATE	PLAQUE DE FIXATION	1	\$4.31
328	1116323280	HEX. NUT	ECROU HEXAGONAL	2	\$1.55
329	1116323290	HANDLE	POIGNEE	1	\$10.29
330	1116323300	CAP SCREW	BOULON A TETE CYLINDRIQUE	2	\$1.67
331	1116323310	DUST COVER	COUVERCLE DE POUSSIERE	1	\$28.69
332	1116323320	HEX. NUT	ECROU HEXAGONAL	4	\$1.55
334	1116323340	PAN HD SCREW	VIS A TETE BOMBEE	2	\$1.55
335	1116323350	DUST CHUTE	SORTIE DE POUSSIERE	1	\$5.35
336	1116323360	DUST HOOD LATCH	LOCQUET DU COUVERCLE	1	\$6.27
337	1116323370	HEX. BOLT	BOULON HEXAGONAL	1	\$1.67
338	1116323380	INTERNAL NIP GUARD	GARDE INTERNE	1	\$13.74
339	1116323390	HEX. KEY (6MM)	CLE HEXAGONALE (6MM)	1	\$2.93
340	1116323400	HEX. KEY (4MM)	CLE HEXAGONALE (4MM)	1	\$2.70
341	1116323410	OPEN END WRENCH (10-12MM)	CLE OUVERTE (10-12MM)	1	\$4.43
344	1116323440	SCREW	VIS	1	\$2.01
401	1116324010	LEG	JAMBE	4	\$45.94
402	1116324020	LONG BRACE (TOP)	TRAVERSE LONGUE (HAUT)	2	\$27.31
403	1116324030	SHORT BRACE (TOP)	TRAVERSE COURTE (HAUT)	2	\$22.83
404	1116324040	LONG BRACE (BOTTOM)	TRAVERSE LONGUE (BAS)	2	\$33.29
405	1116324050	SHORT BRACE (BOTTOM)	TRAVERSE COURTE (BAS)	2	\$29.50
406	1116324060	CARRIAGE BOLT	BOULON A CARROSSERIE	36	\$2.01
407	1116324070	WASHER	RONDELLE	36	\$1.61
408	1116324080	HEX. NUT	ECROU HEXAGONAL	36	\$1.55
409	1116324090	HEX. BOLT	BOULON HEXAGONAL	4	\$2.13
410	1116324100	WASHER	RONDELLE	12	\$1.67
411	1116324110	HEX. NUT	ECROU HEXAGONAL	8	\$1.61
412	1116324120	RUBBER FEET	PIED EN CAOUTCHOUC	4	\$6.50
413	1116324130	SPRING WASHER	RONDELLE A RESSORT	36	\$1.67
555-4	1116325554	RUBBER FEET BAG	SAC DE PIEDS EN CAOUTCHOUC	1	\$22.94
5555	1116325555	HARDWARE BAG	SAC DE QUINCAILLERIE	1	\$51.69
999A	1116329991	STAND ASS'Y	SUPPORT COMPLET	1	\$218.44
	111632MBIL	BILINGUAL MANUAL KC-1632DS	MANUEL BILINGUE KC-1632DS	1	\$15.00

Pricing subject to change without prior notice. / Prix sujet à changement sans préavis.

## Free Manuals Download Website

<http://myh66.com>

<http://usermanuals.us>

<http://www.somanuals.com>

<http://www.4manuals.cc>

<http://www.manual-lib.com>

<http://www.404manual.com>

<http://www.luxmanual.com>

<http://aubethermostatmanual.com>

Golf course search by state

<http://golfingnear.com>

Email search by domain

<http://emailbydomain.com>

Auto manuals search

<http://auto.somanuals.com>

TV manuals search

<http://tv.somanuals.com>