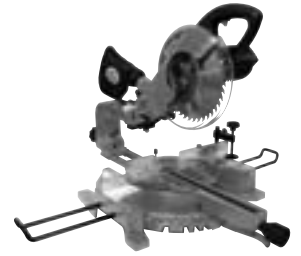




Service Manual / Manuel de Service

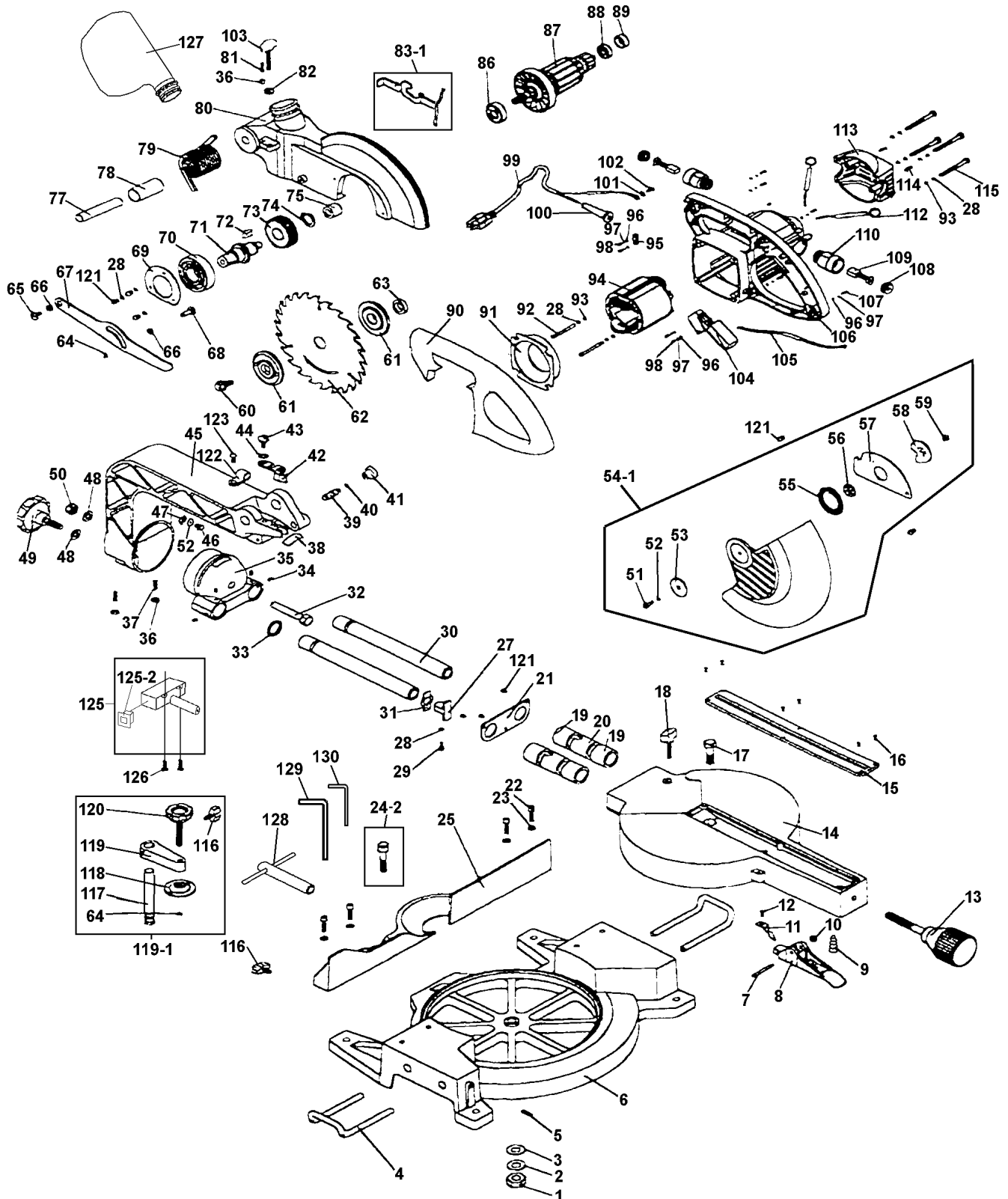
10" Compound Sliding Mitre Saw with Laser

Scie à Onglets Radiale 10" à Angles Composés avec Laser



Revised/Revisé 08/2008

8372





Service Manual / Manuel de Service

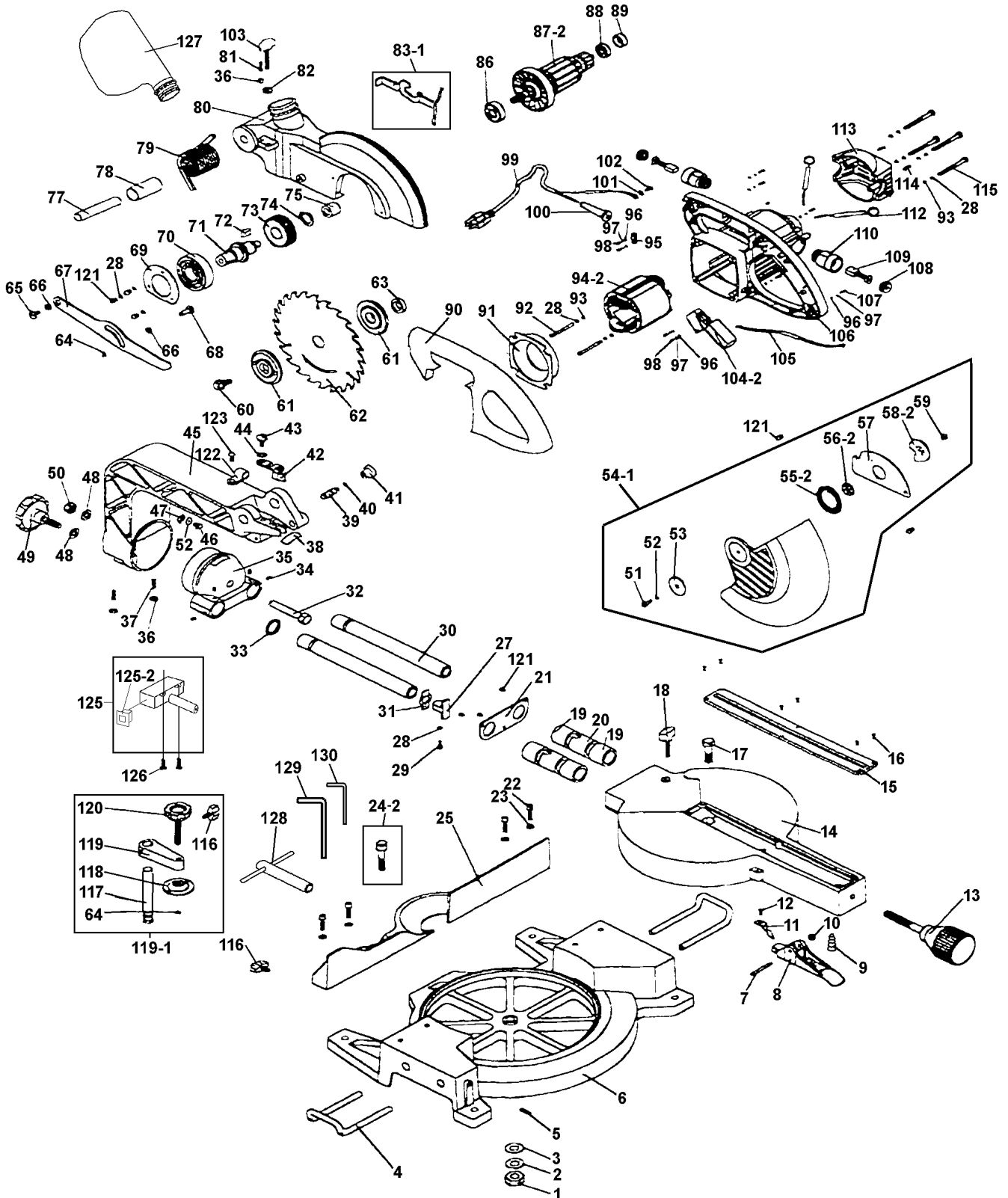
10" Compound Sliding Mitre Saw with Laser

Scie à Onglets Radiale 10" à Angles Composés avec Laser



Revised/Revisé 08/2008

8372N





Parts Pricing List / Liste de Prix des Pièces

8372(N)

Diag.	Order # Com.	English Description	Description Française	Qty./Qté.	Price/Prix
1	4883720010	NYLON HEX. NUT	ECROU HEXAGONAL AVEC NYLON	1	\$2.24
2	4883720020	WASHER	RONDELLE	1	\$1.67
3	4883720030	WAVE WASHER	RONDELLE ONDULEE	1	\$1.55
4	4883720040	EXTENSION WING	RALLONGE D'EXTENSION	2	\$13.74
5	4883720050	SET SCREW	VIS SANS TETE	2	\$2.93
6	4883720060	BASE	SOCLE	1	\$60.95
7	4883720070	HEX. BOLT	BOULON HEXAGONAL	1	\$2.13
8	4883720080	MITER LATCH	LOQUET DE L'ONGLET	1	\$6.15
9	4883720090	SPRING	RESSORT	1	\$2.70
10	4883720100	NYLON HEX. NUT	ECROU HEXAGONAL AVEC NYLON	1	\$2.13
11	4883720110	MITER SCALE POINTER	INDICATEUR D'ANGLE	1	\$4.31
12	4883720120	PAN HD SCREW	VIS A TETE BOMBEE	1	\$1.55
13	4883720130	TABLE HANDLE	POIGNEE DE LA TABLE	1	\$7.76
14	4883720140	TABLE	TABLE	1	\$67.85
15	4883720150	TABLE INSERT	INSERTION DE TABLE	1	\$6.04
16	4883720160	PAN HD SCREW	VIS A TETE BOMBEE	6	\$1.55
17	4883720170	TABLE HEX. BOLT	BOULON HEXAGONAL DE LA TABLE	1	\$3.74
18	4883720180	SLIDE LOCK KNOB	BOUTON DE VERROUILLAGE DU COUL.	1	\$4.08
19	4883720190	LINEAR BEARING	ROULEMENT A BILLES LINEAIRE	4	\$28.58
20	4883720200	SPACER SLEEVE	MANCHON ESPACEUR	2	\$4.89
21	4883720210	BEARING COVER	COUVERCLE DU ROULEMENT	1	\$4.43
22	4883720220	CAP SCREW	BOULON A TETE CYLINDRIQUE	4	\$1.90
23	4883720230	WASHER	RONDELLE	4	\$1.50
24-2	4883720242	MITER LOCK KNOB	BOUTON DE VERROUILLAGE D'ANGLE	1	\$6.15
25	4883720250	FENCE	GUIDE D'APPUI	1	\$27.31
27	4883720270	STOP BLOCK	BLOC D'ARRET	1	\$2.82
28	4883720280	SPRING WASHER	RONDELLE A RESSORT	9	\$1.44
29	4883720290	CAP SCREW	BOULON A TETE CYLINDRIQUE	1	\$2.24
30	4883720300	SLIDE POLE	BARRE RADIALE	2	\$11.33
31	4883720310	RUBBER WASHER	ANNEAU EN CAOUTCHOUC	1	\$2.70
32	4883720320	AXLE BOLT	BOULON DE L'AXE	1	\$4.54
33	4883720330	RUBBER RING	ANNEAU EN CAOUTCHOUC	2	\$2.59
34	4883720340	SET SCREW	VIS SANS TETE	2	\$1.67
35	4883720350	SUPPORT BASE	SUPPORT DU PIVOTEMENT	1	\$56.18
36	4883720360	HEX. NUT	ECROU HEXAGONAL	3	\$1.61
37	4883720370	SET SCREW	VIS SANS TETE	2	\$2.13
38	4883720380	SCALE	EHELLE DU BISEAU	1	\$2.59
39	4883720390	LOCK PIN	GOUPILLE DE VERROUILLAGE	1	\$3.74
40	4883720400	O-RING	ANNEAU D'ETANCHEITE	1	\$1.32
41	4883720410	HEAD LOCK KNOB	BOUTON DE VERROUILLAGE	1	\$4.20
42	4883720420	DEPTH STOP PLATE	PLAQUE D'ARRET	1	\$4.20
43	4883720430	RD HD SHOULDER SCREW	VIS A TETE RONDE/EPAULEMENT	1	\$3.16
44	4883720440	WAVE WASHER	RONDELLE ONDULEE	1	\$1.55
45	4883720450	SAW ARM	BRAS	1	\$67.85
46	4883720460	RD HD SCREW	VIS A TETE RONDE	1	\$1.61
47	4883720470	POINTER	INDICATEUR	1	\$3.74
48	4883720480	WASHER	RONDELLE	2	\$1.67

Pricing subject to change without prior notice. / Prix sujet à changement sans préavis.



Parts Pricing List / Liste de Prix des Pièces

8372(N)

Diag.	Order # Com.	English Description	Description Française	Qty./Qté.	Price/Prix
49	4883720490	BEVEL LOCK KNOB	POIGNEE DE VERROUILLAGE D'ANGLE	1	\$6.73
50	4883720500	NYLON HEX. NUT	ECROU HEXAGONAL AVEC NYLON	1	\$1.73
51	4883720510	PAN HD SCREW	VIS A TETE BOMBEE	1	\$1.73
52	4883720520	WASHER	RONDELLE	2	\$1.55
53	4883720530	WASHER	RONDELLE	1	\$1.55
54-1	4883720541	LOWER BLADE GUARD ASSEMBLY	PROTEGE-LAME (BAS) ASSEMBLE	1	\$40.19
55	4883720550	BLADE GUARD SPRING (8372)	RESSORT DU PROTEGE-LAME (8372)	1	\$3.28
55-2	4883720552	BLADE GUARD SPRING (8372N)	RESSORT DU PROTEGE-LAME (8372N)	1	\$3.28
56	4883720560	PIVOT SPACER (8372)	ESPACEUR POUR PIVOTEMENT (8372)	1	\$3.39
56-2	4883720562	PIVOT SPACER (8372N)	ESPACEUR POUR PIVOTEMENT (8372N)	1	\$3.39
57	4883720570	PROTECTIVE PLATE	PLAQUE DE PROTECTION	1	\$5.58
58	4883720580	LEVER PLATE (8372)	PLAQUE DU LEVIER (8372)	1	\$4.43
58-2	4883720582	LEVER PLATE (8372N)	PLAQUE DU LEVIER (8372N)	1	\$4.43
59	4883720590	HEX. NUT	ECROU HEXAGONAL	1	\$1.55
60	4883720600	BLADE FIXING BOLT	BOULON DE FIXATION DE LA LAME	1	\$3.28
61	4883720610	BLADE FLANGE	BRIDE DE LA LAME	2	\$4.43
62	KSC-1040T	BLADE	LAME	1	-
63	4883720630	ARBOR COLLAR	COLLIER DE L'ARBRE	1	\$3.28
64	4883720640	RETAINING RING ("E")	ANNEAU DE RETENU ("E")	2	\$1.55
65	4883720650	LARGE HD SHOULDER SCREW	VIS A TETE LARGE AVEC EPAULEMENT	1	\$3.39
66	4883720660	BUSHING	BAGUE	2	\$2.59
67	4883720670	RETRACTING PLATE	PLAQUE DE RETRACTION	1	\$9.14
68	4883720680	PIN	GOUPILLE	1	\$3.39
69	4883720690	PRESS BOARD	COUVERCLE DE PRESSION	1	\$4.89
70	4883720700	BALL BEARING	ROULEMENT A BILLES	1	\$19.49
71	4883720710	ARBOR SHAFT	TIGE DE L'ARBRE	1	\$21.79
72	4883720720	KEY	CLE DE RETENUE	1	\$1.73
73	4883720730	GEAR	ENGRENAGE HELICOIDALE	1	\$21.79
74	4883720740	RETAINING RING/SHAFT	ANNEAU DE RETENU/TIGE	1	\$2.24
75	4883720750	NEEDLE BEARING	ROULEMENT A AIGUILLE	1	\$14.55
77	4883720770	UPPER BLADE GUARD AXIS	AXE DU PROTEGE-LAME (HAUT)	1	\$5.69
78	4883720780	SPRING SLEEVE	MANCHON DU RESSORT	1	\$4.54
79	4883720790	TORSION SPRING	RESSORT A TORSION	1	\$10.29
80	4883720800	UPPER BLADE GUARD	PROTEGE-LAME (HAUT)	1	\$41.23
81	4883720810	SET SCREW	VIS SANS TETE	1	\$1.78
82	4883720820	ADJUSTING NUT	ECROU D'AJUSTEMENT	1	\$2.70
83-1	4883720831	BLADE LOCK & SPRING ASS'Y	ARRET DE LAME ET RESSORT ASS.	1	\$14.43
86	4883720860	BALL BEARING	ROULEMENT A BILLES	1	\$11.10
87	4883720870	ARMATURE (8372)	ARMATURE (8372)	1	\$62.96
87-2	4883720872	ARMATURE (8372N)	ARMATURE (8372N)	1	\$62.96
88	4883720880	BALL BEARING	ROULEMENT A BILLES	1	\$14.89
89	4883720890	BEARING COVER	COUVERCLE DU ROULEMENT	1	\$6.84
90	4883720900	LEFT HANDLE	POIGNEE GAUCHE	1	\$21.79
91	4883720910	WIND GUARD	PROTECTEUR DU VENTILATEUR	1	\$11.10
92	4883720920	RD HD SCREW	VIS A TETE RONDE	2	\$3.28
93	4883720930	WASHER	RONDELLE	6	\$1.55
94	4883720940	FIELD COIL (8372)	BOBINE D'ENTRAINEMENT (8372)	1	\$56.18

Pricing subject to change without prior notice. / Prix sujet à changement sans préavis.



Parts Pricing List / Liste de Prix des Pièces

8372(N)

Diag.	Order # Com.	English Description	Description Française	Qty./Qté.	Price/Prix
94-2	4883720942	FIELD COIL (8372N)	BOBINE D'ENTRAINEMENT (8372N)	1	\$56.18
95	4883720950	CORD HOLDER	ATTACHE-CORDON	1	\$2.13
96	4883720960	SPRING WASHER	RONDELLE A RESSORT	11	\$1.55
97	4883720970	WASHER	RONDELLE	11	\$1.55
98	4883720980	PAN HD SCREW	VIS A TETE BOMBEE	2	\$1.67
99	4883720990	POWER CORD	CORDON D'ALIMENTATION	1	\$27.54
100	4883721000	CORD PROTECTOR	PROTEGE-CORDON	1	\$3.39
101	4883721010	INNER WASHER	RONDELLE INTERIEURE	1	\$1.67
102	4883721020	PAN HD SCREW	VIS A TETE BOMBEE	1	\$1.55
103	4883721030	DEPTH STOP KNOB	BOUTON D'ARRET DE PROFONDEUR	1	\$4.89
104	4883721040	TRIGGER SWITCH (8372)	INTERRUPTEUR A GACHETTE (8372)	1	\$25.01
104-2	4883721042	TRIGGER SWITCH (8372N)	INTERRUPTEUR A GACHETTE (8372N)	1	\$25.01
105	4883721050	FIELD COIL WIRE	FIL/BOBINE D'ENTRAINEMENT	2	\$4.54
106	4883721060	MOTOR HOUSING	BOITIER DU MOTEUR	1	\$44.56
107	4883721070	PAN HD SCREW	VIS A TETE BOMBEE	8	\$1.73
108	4883721080	CARBON BRUSH CAP	CAPUCHON DES BALAIS	2	\$2.59
109	4883721090	CARBON BRUSH SET (2)	JEU DE BALAI AU CARBONE (2)	1	\$16.04
110	4883721100	CARBON BRUSH HOLDER	PORTE-BALAI	2	\$4.43
112	4883721120	CARBON BRUSH WIRE	FIL DU BALAI	2	\$4.31
113	4883721130	BACK COVER	COUVERCLE ARRIERE	1	\$19.95
114	4883721140	TAPPING SCREW	VIS AUTOTARAUDEUSE	1	\$1.67
115	4883721150	PAN HD SCREW	VIS A TETE BOMBEE	4	\$2.01
116	4883721160	LOCK KNOB	BOUTON DE VERROUILLAGE	2	\$3.39
117	4883721170	WISE SHAFT	TIGE DE L'ETAU	1	\$6.61
118	4883721180	WISE HOLD FLANGE	BRIDE DE RETENU DE L'ETAU	1	\$3.74
119	4883721190	WISE ARM	BRAS DE SUPPORT DE L'ETAU	1	\$5.69
119-1	4883721191	COMPLETE VISE ASS'Y	ETAU COMPLET ASSEMBLE	1	\$20.53
120	4883721200	WISE KNOB	BOUTON DE L'ETAU	1	\$7.76
121	4883721210	PAN HD SCREW	VIS A TETE BOMBEE	8	\$1.55
122	4883721220	CORD HOLDER	ATTACHE-CORDON	1	\$1.67
123	4883721230	PAN HD SCREW	VIS A TETE BOMBEE	1	\$1.55
125	4883721250	LASER GUIDE SYSTEM ASS'Y	GUIDE LASER ASSEMBLE	1	\$22.94
125-2	4883721252	LASER SWITCH	INTERRUPTEUR DE LASER	1	\$5.23
126	4883721260	CAP SCREW	BOULON A TETE CYLINDRIQUE	2	\$1.90
127	4883721270	DUST BAG	SAC A POUSSIERE	1	\$17.19
128	4883721280	BLADE ADJUSTMENT KEY	CLE D'AJUSTEMENT DE LA LAME	1	\$9.95
129	4883721290	6mm HEX. KEY	CLE HEXAGONALE 6mm	1	\$2.93
130	4883721300	3mm HEX. KEY	CLE HEXAGONALE 3mm	1	\$2.59
	488372MBIL	BILINGUAL MANUAL 8372	MANUEL BILINGUE 8372	1	\$15.00
	488372NBIL	BILINGUAL MANUAL 8372N	MANUEL BILINGUE 8372N	1	\$15.00

Pricing subject to change without prior notice. / Prix sujet à changement sans préavis.

Free Manuals Download Website

<http://myh66.com>

<http://usermanuals.us>

<http://www.somanuals.com>

<http://www.4manuals.cc>

<http://www.manual-lib.com>

<http://www.404manual.com>

<http://www.luxmanual.com>

<http://aubethermostatmanual.com>

Golf course search by state

<http://golfingnear.com>

Email search by domain

<http://emailbydomain.com>

Auto manuals search

<http://auto.somanuals.com>

TV manuals search

<http://tv.somanuals.com>