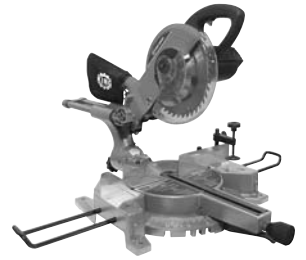




Service Manual / Manuel de Service

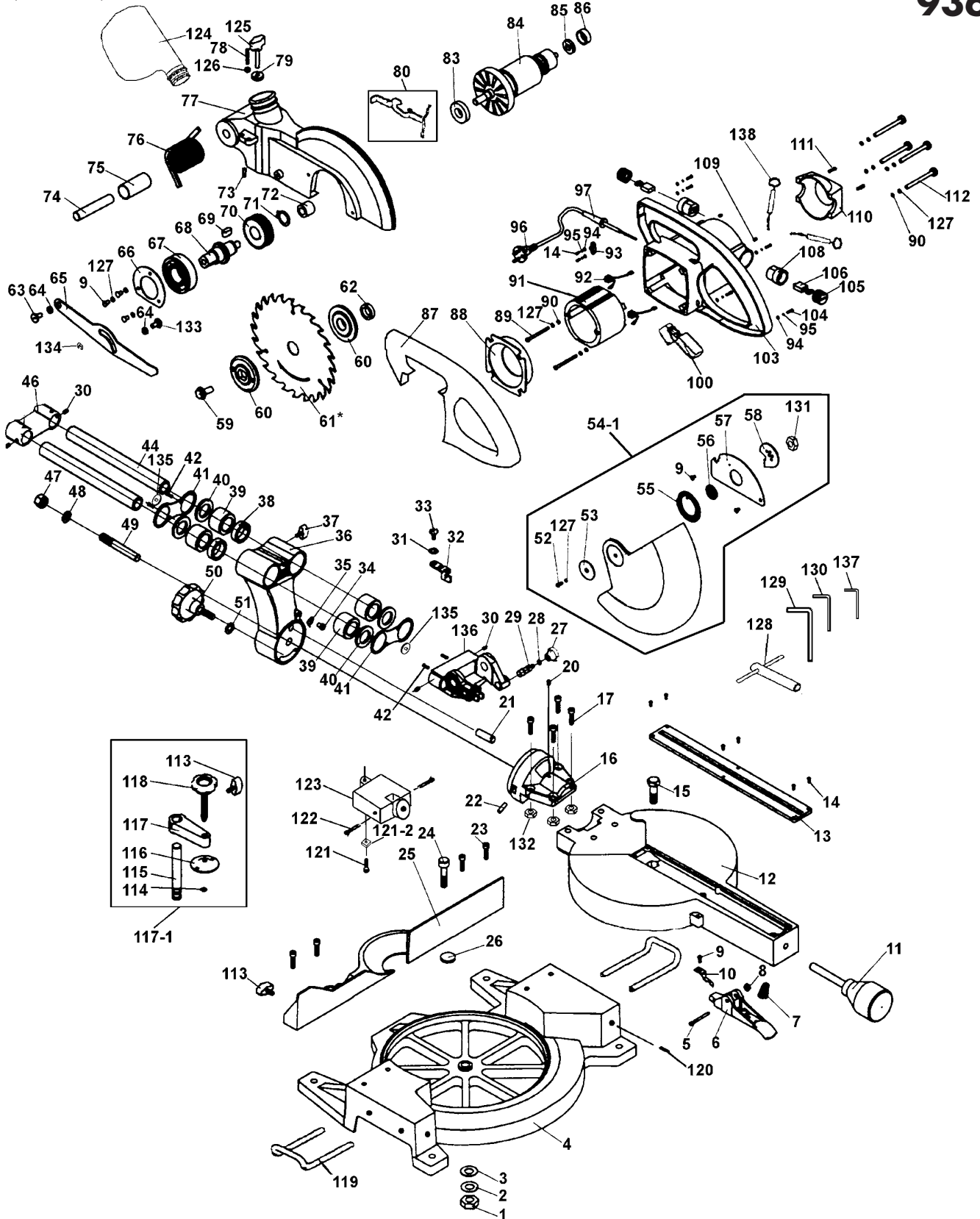
10" Sliding Compound Miter Saw with Laser Guide System

Scie à Onglets Radiale 10" à Angles Composés avec Système de Guide au Laser



Revised/Revisé 08/2008

9362





Service Manual / Manuel de Service

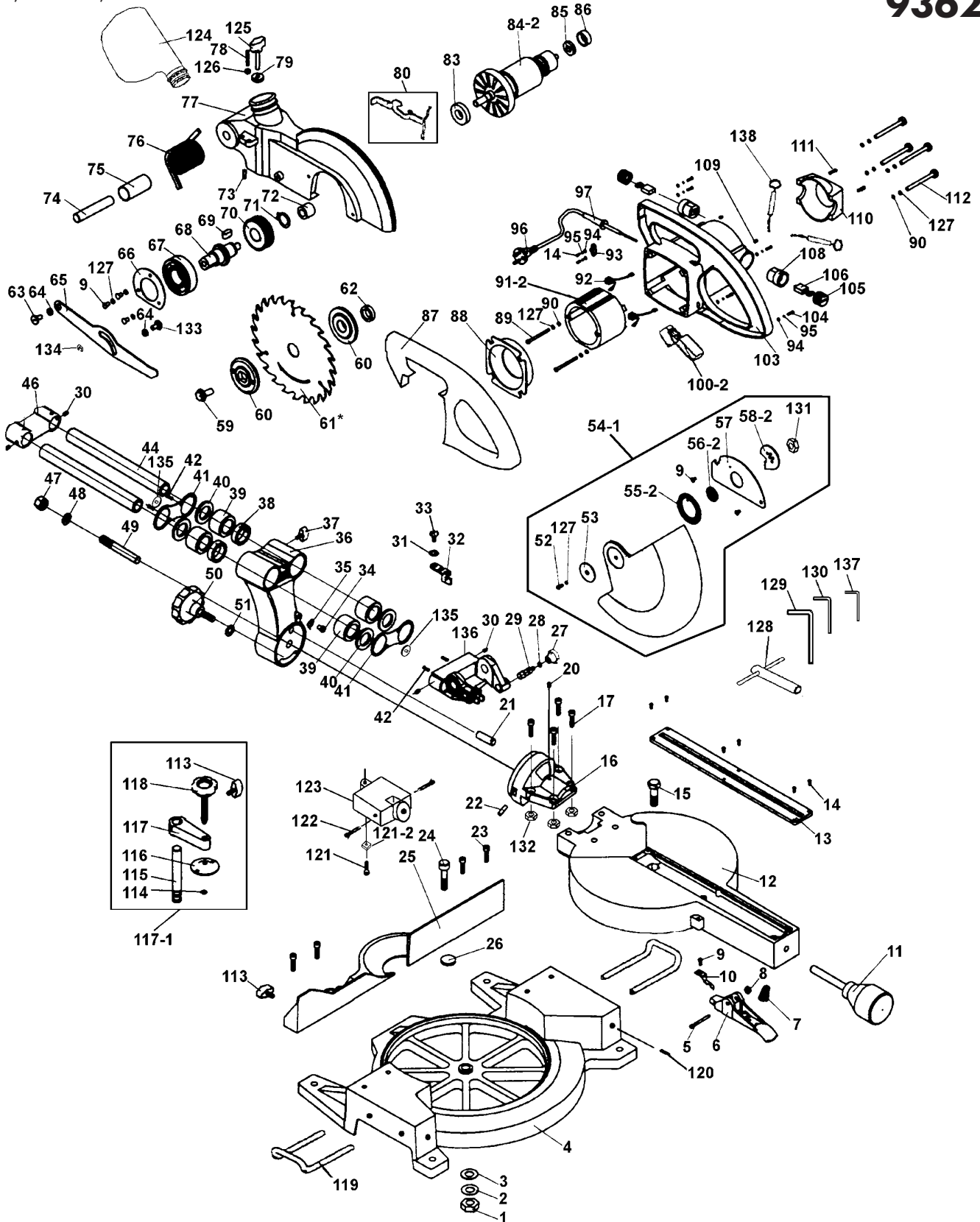
10" Sliding Compound Miter Saw with Laser Guide System

Scie à Onglets Radiale 10" à Angles Composés avec Système de Guide au Laser



Revised/Revisé 08/2008

9362N





Parts Pricing List / Liste de Prix des Pièces

9362(N)

Diag.	Order # Com.	English Description	Description Française	Qty./Qté.	Price/Prix
1	4893620010	NYLON HEX. NUT	ECROU HEXAGONAL AVEC NYLON	1	\$2.24
2	4893620020	WASHER	RONDELLE	1	\$1.67
3	4893620030	WAVE WASHER	RONDELLE ONDULEE	1	\$1.55
4	4893620040	BASE	SOCLE	1	\$60.95
5	4893620050	HEX. BOLT	BOULON HEXAGONAL	1	\$2.13
6	4893620060	MITER LATCH	LOCQUET DE L'ONGLET	1	\$6.15
7	4893620070	SPRING	RESSORT	1	\$2.70
8	4893620080	NYLON HEX. NUT	ECROU HEXAGONAL AVEC NYLON	1	\$2.13
9	4893620090	PAN HD SCREW	VIS A TETE BOMBEE	6	\$1.55
10	4893620100	MITER SCALE POINTER	INDICATEUR D'ANGLE	1	\$4.31
11	4893620110	TABLE HANDLE	POIGNEE DE LA TABLE	1	\$7.76
12	4893620120	TABLE	TABLE	1	\$67.85
13	4893620130	TABLE INSERT	INSERTION DE LA TABLE	1	\$6.04
14	4893620140	PAN HD SCREW	VIS A TETE BOMBEE	8	\$1.55
15	4893620150	TABLE HEX. BOLT	BOULON HEXAGONAL DE LA TABLE	1	\$3.74
16	4893620160	SWIVEL SUPPORT BASE	ADAPTATEUR DU SUP. DE L'ONGLET	1	\$39.96
17	4893620170	CAP SCREW	BOULON A TETE CYLINDRIQUE	4	\$1.90
20	4893620200	SET SCREW	VIS SANS TETE	1	\$1.67
21	4893620210	POSITION SPINDLE	ARBRE DE POSITIONNEMENT	1	\$4.89
22	4893620220	SET SCREW	VIS SANS TETE	2	\$2.13
23	4893620230	CAP SCREW	BOULON A TETE CYLINDRIQUE	4	\$1.90
24	4893620240	MITER LOCK KNOB	BOUTON DE VERR. D'ANGLE	1	\$5.46
25	4893620250	FENCE	GUIDE D'APPUI	1	\$27.31
27	4893620270	HEAD LOCK KNOB	BOUTON DE VERROUILLAGE	1	\$4.20
28	4893620280	O-RING	ANNEAU D'ETANCHEITE	1	\$1.32
29	4893620290	LOCK PIN	GOUPILLE DE VERROUILLAGE	1	\$3.74
30	4893620300	SET SCREW (SPECIAL)	VIS SANS TETE (SPECIALE)	4	\$1.67
31	4893620310	WAVE WASHER	RONDELLE ONDULEE	1	\$1.55
32	4893620320	DEPTH STOP PLATE	PLAQUE D'ARRET	1	\$4.20
33	4893620330	RD HD SHOULDER SCREW	VIS A TETE RONDE/EPAULEMENT	1	\$3.16
34	4893620340	PAN HD SCREW	VIS A TETE BOMBEE	1	\$1.55
35	4893620350	BEVEL ANGLE POINTER	INDICATEUR D'ANGLE	1	\$4.08
36	4893620360	SLIDE SUPPORT	SUPPORT DES BARRES RADIALES	1	\$52.73
37	4893620370	LOCK KNOB	BOUTON DE VERROUILLAGE	1	\$3.39
38	4893620380	SLEEVE	MANCHON	2	\$4.43
39	4893620390	LINEAR BEARING	ROULEMENT A BILLES LINEAIRE	4	\$28.58
40	4893620400	OIL FELT	FEUTRE A L'HUILE	4	\$4.43
41	4893620410	COVER	COUVERCLE	2	\$4.43
42	4893620420	COUNTERSUNK SCREW	VIS A TETE FRAISEE	4	\$1.67
44	4893620440	SLIDE BAR	BARRE RADIALE	2	\$14.78
46	4893620460	REAR SLIDE BAR SUPPORT	SUPPORT ARRIERE DES BARRES	1	\$18.23
47	4893620470	NYLON HEX. NUT	ECROU HEXAGONAL AVEC NYLON	1	\$2.47
48	4893620480	WASHER	RONDELLE	1	\$2.47
49	4893620490	BEVEL SHAFT	TIGE DE BISEAU	1	\$5.69
50	4893620500	BEVEL LOCK KNOB	BOUTON DE VERROUILLAGE	1	\$6.73
51	4893620510	WASHER	RONDELLE	1	\$1.67
52	4893620520	PAN HD SCREW	VIS A TETE BOMBEE	1	\$1.73

*Pricing subject to change without prior notice. / Prix sujet à changement sans préavis.



Parts Pricing List / Liste de Prix des Pièces

9362(N)

Diag.	Order # Com.	English Description	Description Française	Qty./Qté.	Price/Prix
53	4893620530	WASHER	RONDELLE	1	\$1.55
54-1	4893620541	LOWER BLADE GUARD ASS'Y	PROTEGE-LAME (BAS) ASSEMBLE	1	\$40.19
55	4893620550	BLADE GUARD SPRING (9362)	RESSORT DU PROTEGE-LAME (9362)	1	\$3.28
55-2	4893620552	BLADE GUARD SPRING (9362N)	RESSORT DU PROTEGE-LAME (9362N)	1	\$3.28
56	4893620560	PIVOT SPACER (9362)	ESPACEUR POUR PIVOTEMENT (9362)	1	\$3.39
56-2	4893620562	PIVOT SPACER (9362N)	ESPACEUR POUR PIVOTEMENT (9362N)	1	\$3.39
57	4893620570	PROTECTIVE PLATE	PLAQUE DE PROTECTION	1	\$6.27
58	4893620580	LEVER PLATE (9362)	PLAQUE DU LEVIER (9362)	1	\$4.43
58-2	4893620582	LEVER PLATE (9362N)	PLAQUE DU LEVIER (9362N)	1	\$4.43
59	4893620590	BLADE FIXING BOLT	BOULON DE FIXATION DE LA LAME	1	\$3.28
60	4893620600	BLADE FLANGE	BRIDE DE LA LAME	2	\$4.43
61	KSC-1040T	BLADE	LAME	1	-
62	4893620620	ARBOR COLLAR	COLLIER DE L'ARBRE	1	\$3.28
63	4893620630	LARGE HD SHOULDER SCREW	VIS A TETE LARGE A/EPAULEMENT	2	\$3.39
64	4893620640	BUSHING	BAGUE	2	\$2.59
65	4893620650	RETRACTING PLATE	PLAQUE DE RETRACTION	1	\$9.14
66	4893620660	PRESS BOARD	COUVERCLE DE PRESSION	1	\$4.89
67	4893620670	BALL BEARING	ROULEMENT A BILLES	1	\$19.49
68	4893620680	ARBOR SHAFT	TIGE DE L'ARBRE	1	\$21.79
69	4893620690	KEY	CLE DE RETENUE	1	\$1.73
70	4893620700	GEAR	ENGRENAGE	1	\$21.79
71	4893620710	RETAINING RING/SHAFT	ANNEAU DE RETENU/TIGE	1	\$2.24
72	4893620720	NEEDLE BEARING	ROULEMENT A AIGUILLES	1	\$14.55
73	4893620730	SET SCREW	VIS SANS TETE	1	\$1.78
74	4893620740	UPPER BLADE GUARD AXIS	AXE DU PROTEGE-LAME (HAUT)	1	\$5.69
75	4893620750	SPRING SLEEVE	MANCHON DU RESSORT	1	\$4.54
76	4893620760	TORSION SPRING	RESSORT A TORSION	1	\$10.29
77	4893620770	UPPER BLADE GUARD	PROTEGE-LAME (HAUT)	1	\$41.23
78	4893620780	SET SCREW	VIS SANS TETE	1	\$1.78
79	4893620790	ADJUSTING NUT	ECROU D'AJUSTEMENT	1	\$2.70
80	4893620800	BLADE LOCK & SPRING ASS'Y	ARRET DE LAME & RESSORT ASS.	1	\$14.43
83	4893620830	BALL BEARING	ROULEMENT A BILLES	1	\$11.10
84	4893620840	ARMATURE (9362)	ARMATURE (9362)	1	\$62.96
84-2	4893620842	ARMATURE (9362N)	ARMATURE (9362N)	1	\$62.96
85	4893620850	BALL BEARING	ROULEMENT A BILLES	1	\$14.89
86	4893620860	BEARING COVER	COUVERCLE DU ROULEMENT	1	\$6.84
87	4893620870	LEFT HANDLE	POIGNEE GAUCHE	1	\$21.79
88	4893620880	WIND GUARD	PROTEGE-VENTILATEUR	1	\$11.10
89	4893620890	RD HD SCREW	VIS A TETE RONDE	2	\$3.28
90	4893620900	WASHER	RONDELLE	6	\$1.55
91	4893620910	FIELD COIL (9362)	BOBINE D'ENTRAINEMENT (9362)	1	\$56.18
91-2	4893620912	FIELD COIL (9362N)	BOBINE D'ENTRAINEMENT (9362N)	1	\$56.18
92	4893620920	FIELD COIL WIRE	FIL/BOBINE ENTRAINEMENT	2	\$4.54
93	4893620930	CORD HOLDER	ATTACHE CORDON	1	\$2.13
94	4893620940	WASHER	RONDELLE	7	\$1.55
95	4893620950	SPRING WASHER	RONDELLE A RESSORT	7	\$1.55
96	4893620960	POWER CORD	CORDON D'ALIMENTATION	1	\$27.54

*Pricing subject to change without prior notice. / Prix sujet à changement sans préavis.



Parts Pricing List / Liste de Prix des Pièces

9362(N)

Diag.	Order # Com.	English Description	Description Française	Qty./Qté.	Price/Prix
97	4893620970	CORD PROTECTOR	PROTECTEUR DE CORDON	1	\$3.39
100	4893621000	TRIGGER SWITCH (9362)	INTERRUPTEUR A GACHETTE (9362)	1	\$25.01
100-2	4893621002	TRIGGER SWITCH (9362N)	INTERRUPTEUR A GACHETTE (9362N)	1	\$25.01
103	4893621030	MOTOR HOUSING	BOITIER DU MOTEUR	1	\$44.56
104	4893621040	PAN HD SCREW	VIS A TETE BOMBEE	5	\$1.73
105	4893621050	CARBON BRUSH CAP	CAPUCHON DES BALAIS	2	\$2.59
106	4893621060	CARBON BRUSH SET (2)	JEU DE BALAI AU CARBONE (2)	1	\$16.04
108	4893621080	CARBON BRUSH HOLDER	PORTE-BALAI	2	\$4.43
109	4893621090	RUBBER PIECE	PIECE EN CAOUTCHOUC	2	\$2.82
110	4893621100	BACK COVER	COUVERCLE ARRIERE	1	\$19.95
111	4893621110	TAPPING SCREW	VIS AUTOTARAUDEUSE	2	\$1.67
112	4893621120	PAN HD SCREW	VIS A TETE BOMBEE	4	\$2.01
113	4893621130	WISE LOCKING KNOB	BOUTON DE VERR. DE L'ETAU	2	\$3.39
114	4893621140	"E" RETAINING RING	ANNEAU DE RETENU "E"	1	\$1.55
115	4893621150	WISE SHAFT	TIGE DE L'ETAU	1	\$6.61
116	4893621160	WISE HOLD FLANGE	BRIDE DE RETENUE DE L'ETAU	1	\$3.74
117	4893621170	WISE ARM	BRAS DE SUPPORT DE L'ETAU	1	\$5.69
117-1	4893621171	COMPLETE WISE ASSEMBLY	ETAU COMPLET ASSEMBLE	1	\$20.53
118	4893621180	WISE KNOB	BOUTON DE L'ETAU	1	\$7.76
119	4893621190	EXTENSION WING	RALLONGE D'EXTENSION	2	\$13.74
120	4893621200	SET SCREW	VIS SANS TETE	2	\$2.93
121	4893621210	CAP SCREW	BOULON A TETE CYLINDRIQUE	1	\$1.90
121-2	4893621212	SQUARE WASHER (SMALL)	RONDELLE CARRE (PETITE)	1	\$2.24
122	4893621220	PAN HD SCREW	VIS A TETE BOMBEE	2	\$1.73
123	4893621230	LASER GUIDE SYS. ASSEMBLY	GUIDE A LASER ASSEMBLE	1	\$22.94
124	4893621240	DUST BAG	SAC A POUSSIERE	1	\$17.19
125	4893621250	DEPTH STOP KNOB	BOUTON D'ARRET DE PROFONDEUR	1	\$4.89
126	4893621260	HEX. NUT	ECROU HEXAGONAL	1	\$1.61
127	4893621270	SPRING WASHER	RONDELLE A RESSORT	10	\$1.55
128	4893621280	BLADE ADJUSTMENT KEY	CLE D'AJUSTEMENT DE LA LAME	1	\$9.95
129	4893621290	6MM HEX. KEY	CLE HEXAGONALE (6MM)	1	\$2.93
130	4893621300	3MM HEX. KEY	CLE HEXAGONALE (3MM)	1	\$2.59
131	4893621310	HEX. NUT	ECROU HEXAGONAL	1	\$1.55
132	4893621320	NYLON HEX. NUT	ECROU HEXAGONAL AVEC NYLON	4	\$1.67
133	4893621330	PIN	GOUPILLE	1	\$3.39
134	4893621340	"E" RETAINING RING	ANNEAU DE RETENU ("E")	1	\$1.55
135	4893621350	RUBBER BUMPER	ARRET EN CAOUTCHOUC	2	\$2.59
136	4893621360	PIVOT SUPPORT	SUPPORT DU PIVOTEMENT	1	\$55.14
137	4893621370	HEX. KEY (2MM)	CLE HEXAGONALE (2MM)	1	\$3.39
138	4893621380	CARBON BRUSH WIRE	FIL DU BALAI	2	\$4.31
	489362MBIL	BILINGUAL MANUAL 9362N	MANUEL BILINGUE 9362N	1	\$15.00

*Pricing subject to change without prior notice. / Prix sujet à changement sans préavis.

Free Manuals Download Website

<http://myh66.com>

<http://usermanuals.us>

<http://www.somanuals.com>

<http://www.4manuals.cc>

<http://www.manual-lib.com>

<http://www.404manual.com>

<http://www.luxmanual.com>

<http://aubethermostatmanual.com>

Golf course search by state

<http://golfingnear.com>

Email search by domain

<http://emailbydomain.com>

Auto manuals search

<http://auto.somanuals.com>

TV manuals search

<http://tv.somanuals.com>