



# Service Manual / Manuel de Service

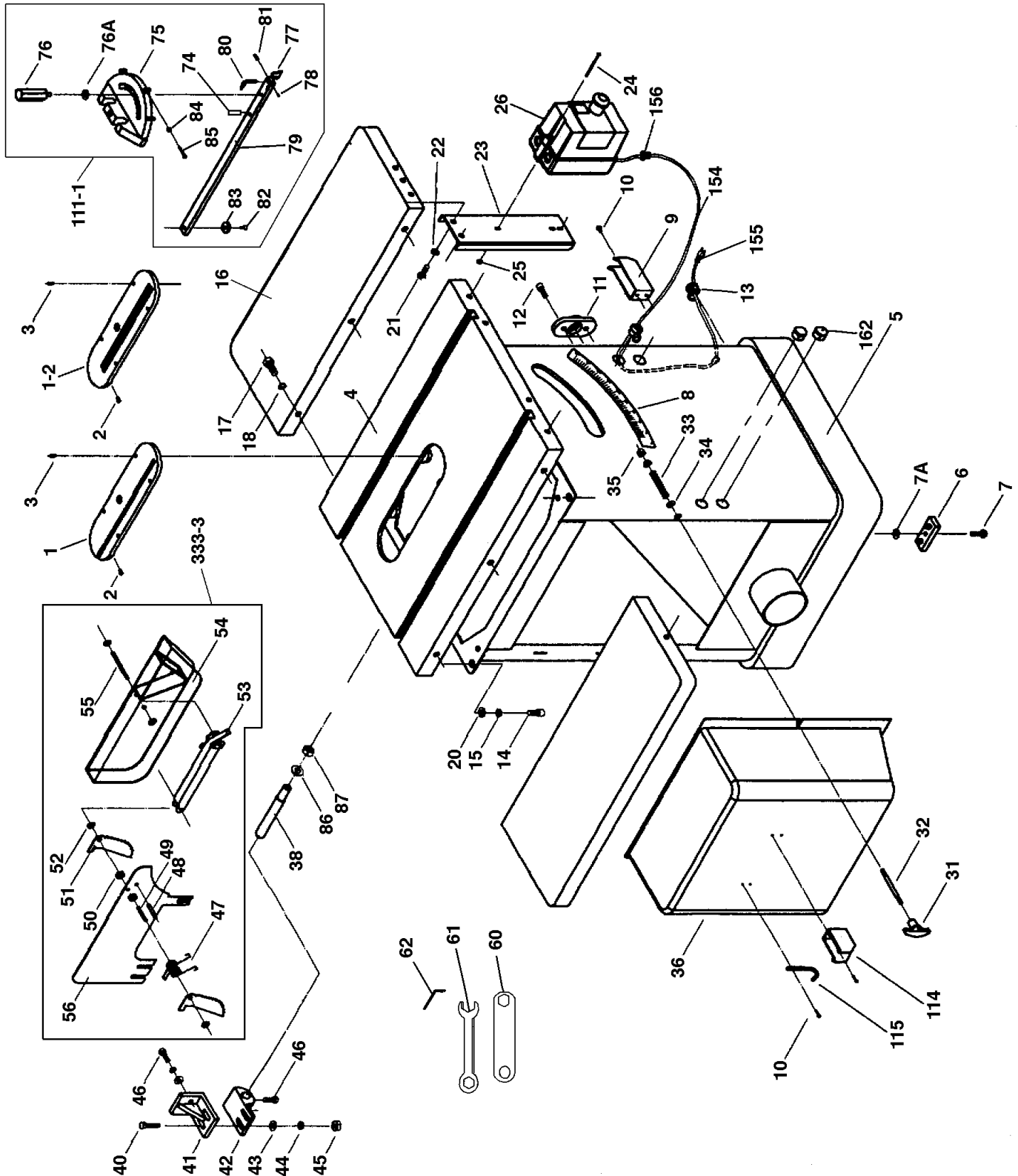
## 10" Tilting Arbor Heavy-Duty Table Saw Scie Industrielle Robuste 10" à Arbre Inclinable



Revised/Revisé 08/2008

### Main Diagram/Diagramme Principale

# KC-11FX





# Service Manual / Manuel de Service

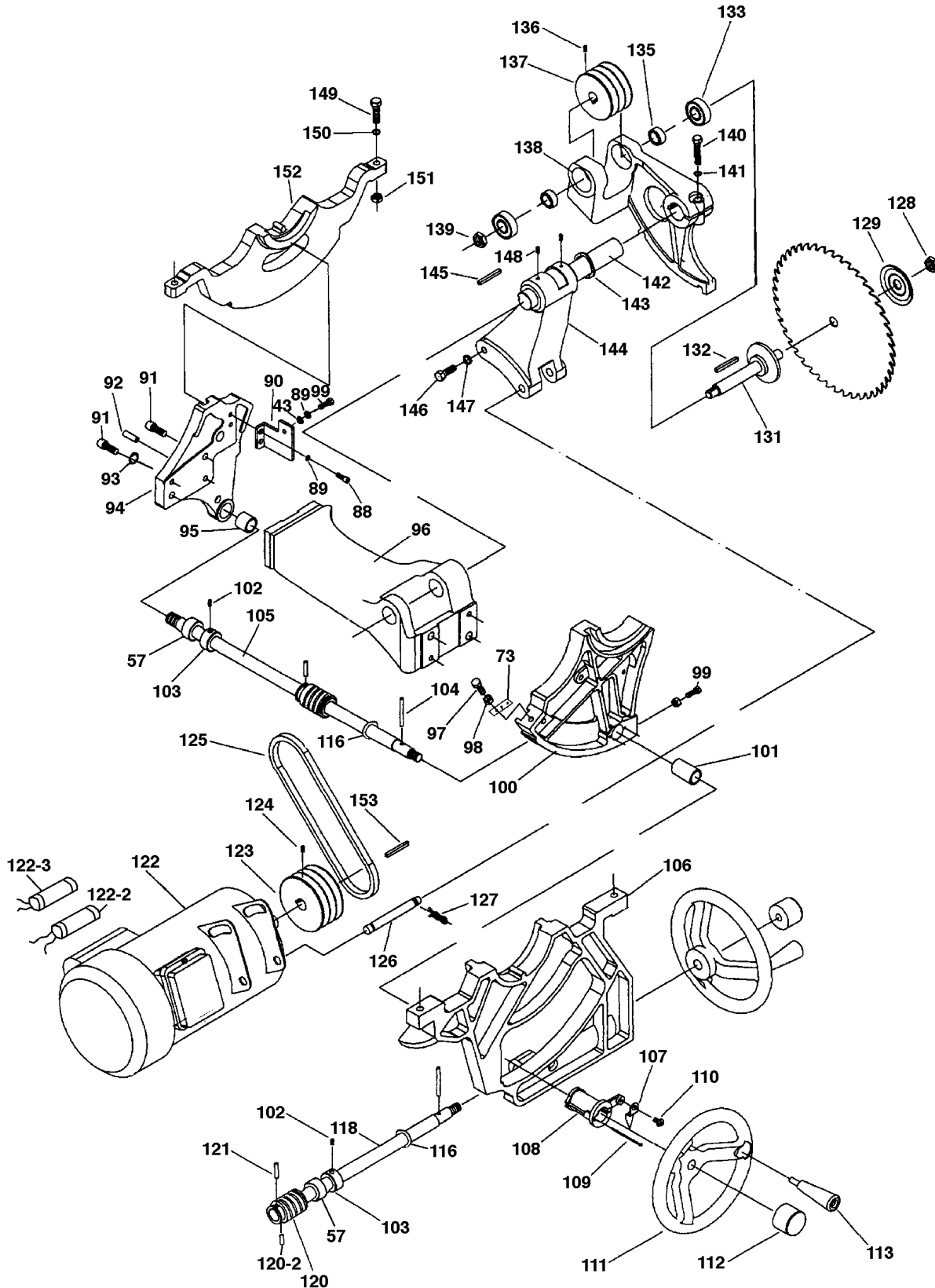
## 10" Tilting Arbor Heavy-Duty Table Saw Scie Industrielle Robuste 10" à Arbre Inclinable



Revised/Revisé 08/2008

### Internal Diagram/Diagramme Interne

# KC-11FX





# Parts Pricing List / Liste de Prix des Pièces **KC-11FX**

Diag.	Order # Com.	English Description	Description Française	Qty./Qté.	Price/Prix
1	KW-064	TABLE INSERT	INSERTION POUR TABLE	1	-
1-2	KW-065	TABLE DADO INSERT	INSERTION DADO POUR TABLE	1	-
2	1100110020	RUBBER PIN	GOUPILLE EN CAOUTCHOUC	2	\$1.67
3	1100110030	SET SCREW	VIS SANS TETE	4	\$1.55
4	1100110040	TABLE	TABLE	1	\$458.85
5	1100110050	CABINET	CABINET	1	\$396.75
6	1100110060	RUBBER FEET	PIED EN CAOUTCHOUC	4	\$3.16
7	1100110070	RD. HD. SCREW	VIS A TETE RONDE	4	\$1.67
7A	1100110071	WASHER	RONDELLE	4	\$1.61
8	1100110080	TILT SCALE	ECHELLE D'INCLINAISON	1	\$13.40
9	1100110090	RIP FENCE SUPPORT	SUPPORT DU GUIDE	2	\$6.15
10	1100110100	SCREW	VIS	8	\$1.55
11	1100110110	HANDWHEEL BRACKET	SUPPORT DE LA MANIVELLE	1	\$12.59
12	1100110120	CAP SCREW	BOULON A TETE CYLINDRIQUE	2	\$1.67
13	1100110130	STRAIN RELIEF	ATTACHE-CORDON	3	\$2.59
14	1100110140	CAP SCREW	BOULON A TETE CYLINDRIQUE	4	\$1.67
15	1100110150	SPRING WASHER	RONDELLE A RESSORT	4	\$1.61
16	EXT-10FX	EXTENSION TABLE	TABLE D'EXTENSION	2	-
17	1100110170	HEX. BOLT	BOULON HEXAGONAL	6	\$1.78
18	1100110180	SPRING WASHER	RONDELLE A RESSORT	6	\$1.78
20	1100110200	WASHER	RONDELLE	8	\$1.73
21	1100110210	HEX. BOLT	BOULON HEXAGONAL	2	\$1.61
22	1100110220	SPRING WASHER	RONDELLE A RESSORT	2	\$1.61
23	1100110230	SWITCH BRACKET	SUPPORT DE L'INTERRUPTEUR	1	\$15.81
24	1100110240	RD. HD. SCREW	VIS A TETE RONDE	2	\$1.55
25	1100110250	HEX. NUT	ECROU HEXAGONAL	2	\$1.55
26	1100110260	MAGNETIC SWITCH	INTERRUPTEUR MAGNETIQUE	1	\$183.94
31	1100110310	HANDLE	POIGNEE	1	\$9.60
32	1100110320	HANDLE SHAFT	TIGE DE LA POIGNEE	1	\$4.54
33	1100110330	SPRING	RESSORT	1	\$8.80
34	1100110340	WASHER	RONDELLE	2	\$1.67
35	1100110350	NYLON NUT	ECROU DE NYLON	1	\$1.61
36	1100110360	MOTOR COVER	COUVERCLE DU MOTEUR	1	\$205.85
38	1100110380	BLADE GUARD SHAFT	TIGE DU PROTEGE-LAME	1	\$12.59
40	1100110400	HEX. BOLT	BOULON HEXAGONAL	2	\$1.90
41	1100110410	SPLITTER BRACKET (UPPER)	SUPPORT DU SEPARATEUR (HAUT)	1	\$12.59
42	1100110420	SPLITTER BRACKET (LOWER)	SUPPORT DU SEPARATEUR (BAS)	1	\$14.55
43	1100110430	WASHER	RONDELLE	4	\$1.61
44	1100110440	SPRING WASHER	RONDELLE A RESSORT	4	\$1.61
45	1100110450	HEX. NUT	ECROU HEXAGONAL	2	\$1.55
46	1100110460	HEX. BOLT	BOULON HEXAGONAL	4	\$1.73
47	1100110470	ANTI-KICKBACK SPRING	RESSORT ANTI-RETOUR	1	\$3.16
48	1100110480	SPRING PIN	GOUPILLE A RESSORT	1	\$2.13
49	1100110490	PIN	GOUPILLE	1	\$2.47
50	1100110500	SPACER	ESPACEUR	2	\$2.13
51	1100110510	ANTI-KICKBACK FINGER	DOIGT ANTI-RETOUR	2	\$5.58
52	1100110520	SPECIAL LOCK NUT	ECROU DE VERROUILLAGE SPECIAL	4	\$2.01

Pricing subject to change without prior notice. / Prix sujet à changement sans préavis.



# Parts Pricing List / Liste de Prix des Pièces **KC-11FX**

Diag.	Order # Com.	English Description	Description Française	Qty./Qté.	Price/Prix
53	1100110530	SUPPORT ARM	BRAS SUPPORT	1	\$9.83
54	1100110540	BLADE GUARD	PROTEGE-LAME	1	\$38.81
55	1100110550	PIN	GOUPILLE	1	\$2.82
56	1100110560	SPLITTER	SEPARATEUR	1	\$26.05
57	1100110570	THRUST BEARING	ROULEMENT A BUTEE	2	\$76.88
60	1100110600	ARBOR WRENCH	CLE DE L'ARBRE	1	\$11.10
61	1100110610	OPEN & CLOSED KEY	CLE OUVERTE ET FERMEE	1	\$9.03
62	1100110620	HEX. KEY (M3)	CLE HEXAGONALE (M3)	1	\$2.59
73	1100110730	STEEL PLATE	PLAQUE EN ACIER	1	\$3.39
74	1100110740	PIN	GOUPILLE	1	\$2.59
75	1100110750	MITER GAUGE BODY	CORPS DU GUIDE A ONGLETS	1	\$37.55
76	1100110760	MITER GAUGE HANDLE	POIGNEE DU GUIDE A ONGLETS	1	\$12.59
76A	1100110761	FIBER WASHER	RONDELLE EN FIBRE	1	\$1.55
77	1100110770	LOCATING PLATE	PLAQUE D'ARRET	1	\$2.59
78	1100110780	ROLL PIN	GOUPILLE DE ROULEMENT	1	\$1.61
79	1100110790	MITER GAUGE BAR	BARRE DU GUIDE A ONGLETS	1	\$18.34
80	1100110800	POINTER	INDICATEUR	1	\$2.70
81	1100110810	SET SCREW	VIS SANS TETE	1	\$1.55
82	1100110820	SINKING HD. SCREW	VIS FRAISER	1	\$2.13
83	1100110830	SLIDING WASHER	RONDELLE DE GLISSEMENT	1	\$3.39
84	1100110840	HEX. NUT	ECROU HEXAGONAL	3	\$1.61
85	1100110850	RD. HD. SCREW	VIS A TETE RONDE	3	\$1.67
86	1100110860	WASHER	RONDELLE	1	\$1.90
87	1100110870	HEX. NUT	ECROU HEXAGONAL	1	\$2.01
88	1100110880	CAP SCREW	BOULON A TETE CYLINDRIQUE	2	\$1.90
89	1100110890	SPRING WASHER	RONDELLE A RESSORT	2	\$1.61
90	1100110900	MOUNTING PLATE	PLAQUE DE MONTAGE	1	\$4.31
91	1100110910	CAP SCREW	BOULON A TETE CYLINDRIQUE	4	\$2.24
92	1100110920	SPRING PIN	GOUPILLE A RESSORT	4	\$2.13
93	1100110930	SPRING WASHER	RONDELLE A RESSORT	2	\$1.55
94	1100110940	REAR TRUNNION	TOURILLON ARRIERE	1	\$67.45
95	1100110950	BUSHING	BAGUE	1	\$6.61
96	1100110960	ARBOR CENTRAL BRACKET	SUPPORT CENTRAL DE L'ARBRE	1	\$137.94
97	1100110970	HEX. BOLT	BOULON HEXAGONAL	1	\$2.13
98	1100110980	HEX. NUT	ECROU HEXAGONAL	2	\$1.55
99	1100110990	HEX. BOLT	BOULON HEXAGONAL	1	\$1.67
100	1100111000	FRONT TRUNNION	TOURILLON AVANT	1	\$113.10
101	1100111010	BUSHING	BAGUE	1	\$6.61
102	1100111020	SET SCREW	VIS SANS TETE	2	\$1.61
103	1100111030	COLLAR	COLLIER	2	\$6.84
104	1100111040	SPRING PIN	GOUPILLE A RESSORT	2	\$1.78
105	1100111050	ELEVATING SHAFT	TIGE D'ELEVATION	1	\$34.33
106	1100111060	FRONT BRACKET	SUPPORT AVANT	1	\$136.68
107	1100111070	TILTING POINTER	INDICATEUR D'INCLINAISON	1	\$4.89
108	1100111080	POINTER BRACKET	SUPPORT DE L'INDICATEUR	1	\$7.30
109	1100111090	RD. HD. SCREW	VIS A TETE RONDE	2	\$2.13
110	1100111100	HEX. BOLT	BOULON HEXAGONAL	1	\$1.61

Pricing subject to change without prior notice. / Prix sujet à changement sans préavis.



# Parts Pricing List / Liste de Prix des Pièces **KC-11FX**

Diag.	Order # Com.	English Description	Description Française	Qty./Qté.	Price/Prix
111	1100111110	HANDWHEEL	MANIVELLE	2	\$57.33
111-1	1100111111	MITER GAUGE ASS'Y	GUIDE A ONGLETS ASSEMBLE	1	\$85.85
112	1100111120	HANDWHEEL KNOB	BOUTON DE LA MANIVELLE	2	\$16.04
113	1100111130	HANDLE	POIGNEE	2	\$16.04
114	1100111140	MITER GAUGE SUPPORT	SUPPORT DU GUIDE A ONGLETS	1	\$5.69
115	1100111150	HOOK	CROCHET	1	\$3.05
116	1100111160	WASHER	RONDELLE	2	\$2.24
118	1100111180	WORM SHAFT	TIGE SANS FIN	1	\$31.80
120	1100111200	WORM GEAR	ENGRENAGE SANS FIN	2	\$38.81
120-2	1100111202	SET SCREW	VIS SANS TETE	1	\$1.55
121	1100111210	SPRING PIN	GOUPILLE A RESSORT	2	\$1.73
122	1100111220	MOTOR	MOTEUR	1	\$458.85
122-2	1100111222	STARTING CAPACITOR	CONDENSATEUR DE DEMARRAGE	1	\$29.61
122-3	1100111223	RUNNING CAPACITOR	CONDENSATEUR D'OPERATION	1	\$25.13
123	1100111230	MOTOR PULLEY	POULIE DU MOTEUR	1	\$48.70
124	1100111240	SET SCREW	VIS SANS TETE	2	\$1.67
125	1100111250	V-BELT	COURROIE EN V	3	\$17.08
126	1100111260	MOTOR ROD	TIGE DU MOTEUR	1	\$6.73
127	1100111270	COTTER PIN	GOUPILLE FENDUE	2	\$2.24
128	1100111280	FLANGE NUT	ECROU DE L'ARBRE	1	\$3.05
129	1100111290	FLANGE	RONDELLE DE L'ARBRE	1	\$7.88
131	1100111310	ARBOR	ARBRE	1	\$57.33
132	1100111320	KEY	CLE DE RETENUE	1	\$2.36
133	1100111330	BALL BEARING	ROULEMENT A BILLES	2	\$12.59
135	1100111350	ARBOR SPACER	BAGUE DE L'ARBRE	2	\$4.31
136	1100111360	SET SCREW	VIS SANS TETE	2	\$1.67
137	1100111370	ARBOR PULLEY	POULIE DE L'ARBRE	1	\$43.53
138	1100111380	ARBOR BRACKET	SUPPORT DE L'ARBRE	1	\$103.10
139	1100111390	HEX. NUT	ECROU HEXAGONAL	1	\$5.69
140	1100111400	CAP SCREW	BOULON A TETE CYLINDRIQUE	1	\$2.36
141	1100111410	SPRING WASHER	RONDELLE A RESSORT	1	\$1.55
142	1100111420	MOTOR BRACKET SHAFT	TIGE/SUPPORT DU MOTEUR	1	\$22.25
143	1100111430	RETAINING RING	ANNEAU DE RETENU	1	\$2.47
144	1100111440	MOTOR BRACKET	SUPPORT DU MOTEUR	1	\$76.53
145	1100111450	KEY	CLE DE RETENUE	1	\$2.70
146	1100111460	HEX. BOLT	BOULON HEXAGONAL	1	\$2.13
147	1100111470	WASHER	RONDELLE	1	\$1.90
148	1100111480	SET SCREW	VIS SANS TETE	2	\$1.67
149	1100111490	HEX. BOLT	BOULON HEXAGONAL	4	\$2.13
150	1100111500	WASHER	RONDELLE	4	\$1.61
151	1100111510	HEX. NUT	ECROU HEXAGONAL	4	\$1.55
152	1100111520	REAR BRACKET	SUPPORT ARRIERE	1	\$114.83
153	1100111530	KEY	CLE DE RETENUE	1	\$2.47
154	1100111540	SWITCH CORD	CORDON DE L'INTERRUPTEUR	1	\$20.53
155	1100111550	POWER CORD	CORDON D'ALIMENTATION	1	\$20.64
156	1100111560	STRAIN RELIEF	ATTACHE-CORDON	2	\$2.59
162	1100111620	RUBBER PLUG	BOUCHON EN CAOUTCHOUC	2	\$2.13

Pricing subject to change without prior notice. / Prix sujet à changement sans préavis.



## Parts Pricing List / Liste de Prix des Pièces **KC-11FX**

Diag.	Order # Com.	English Description	Description Française	Qty./Qté.	Price/Prix
333-3	1100113333	BLADE GUARD ASS'Y	PROTEGE-LAME ASS.	1	\$113.68
555-5	1100115555	COMPLETE HARDWARE BOX	BOITE DE QUINCAILLERIE ET ACC.	1	\$110.00
	110011MBIL	BILINGUAL MANUAL KC-11FX	MANUEL BILINGUE KC-11FX	1	\$15.00

Pricing subject to change without prior notice. / Prix sujet à changement sans préavis.

## Free Manuals Download Website

<http://myh66.com>

<http://usermanuals.us>

<http://www.somanuals.com>

<http://www.4manuals.cc>

<http://www.manual-lib.com>

<http://www.404manual.com>

<http://www.luxmanual.com>

<http://aubethermostatmanual.com>

Golf course search by state

<http://golfingnear.com>

Email search by domain

<http://emailbydomain.com>

Auto manuals search

<http://auto.somanuals.com>

TV manuals search

<http://tv.somanuals.com>