



# Service Manual / Manuel de Service

## 5" x 6" Metal Cutting Bandsaw

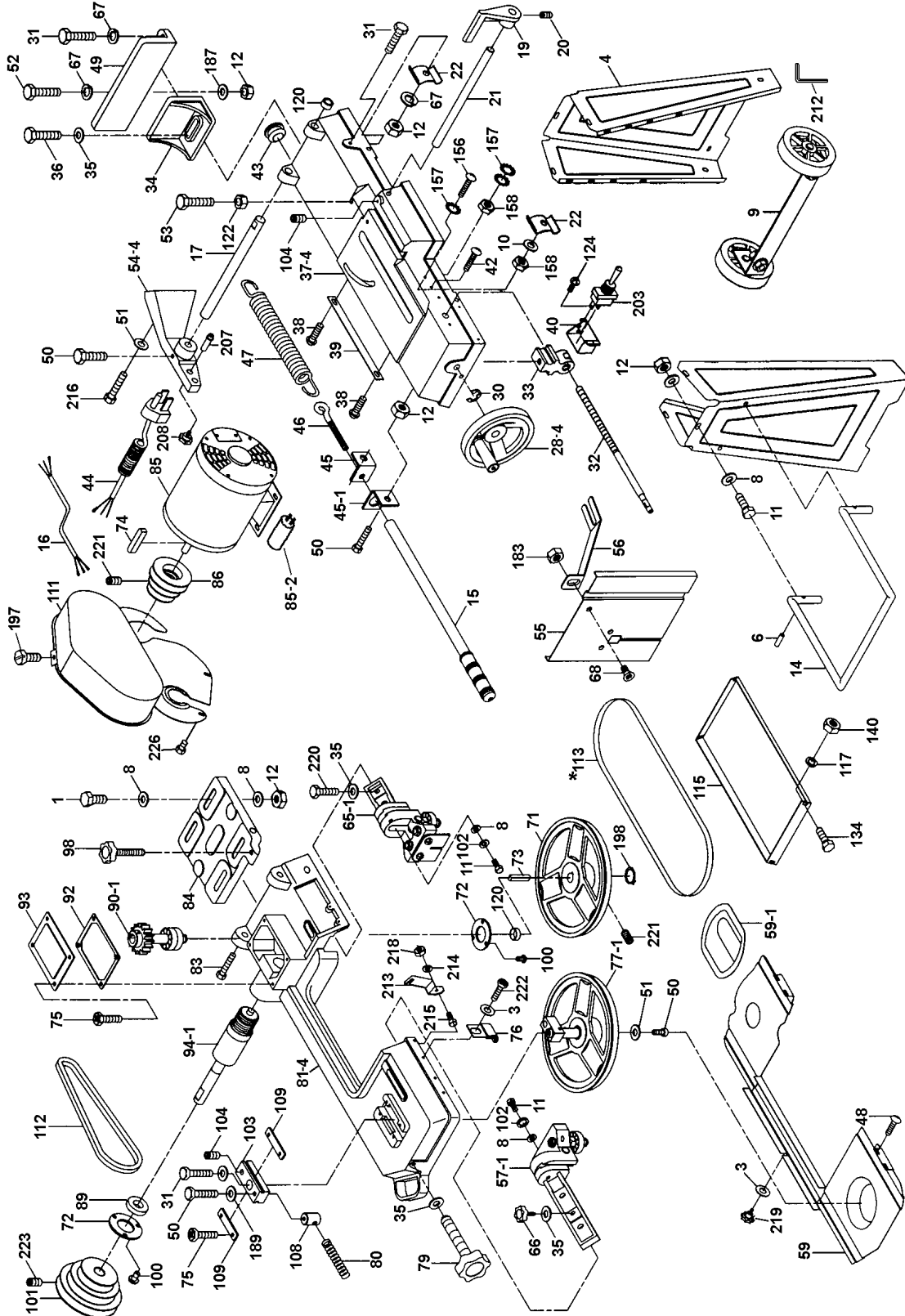
### Scie à Ruban pour Métal 5" x 6"



Revised/Revisé 08/2008

Main Diagram / Diagramme Principale

KC-128C-4





# Service Manual / Manuel de Service

## 5" x 6" Metal Cutting Bandsaw

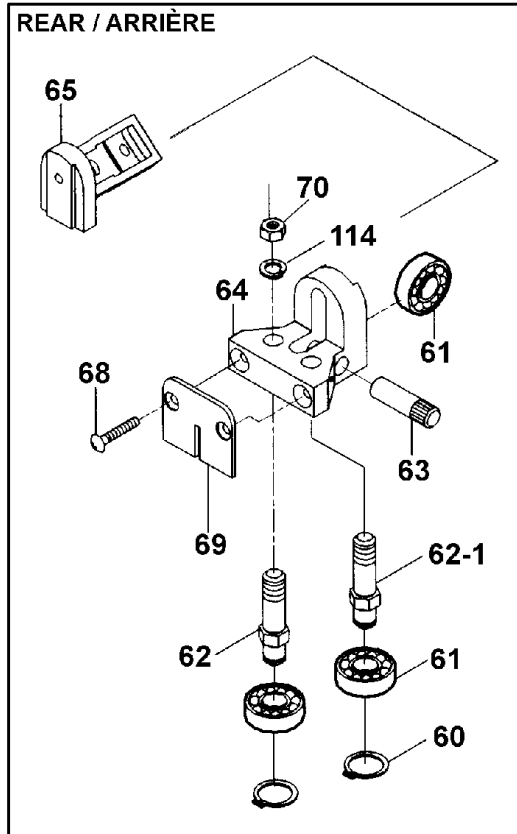
### Scie à Ruban pour Métal 5" x 6"



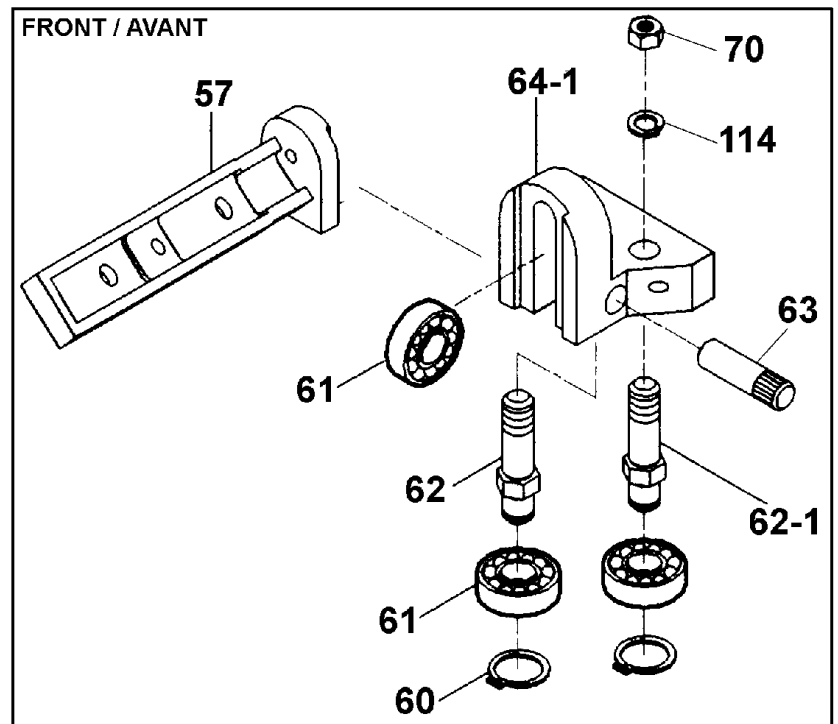
Revised/Revisé 08/2008

#### Blade Guides & Worm Gear Shaft Diagram / Diagramme des Guides de Lame et de la Tige du Pignon

### KC-128C-4

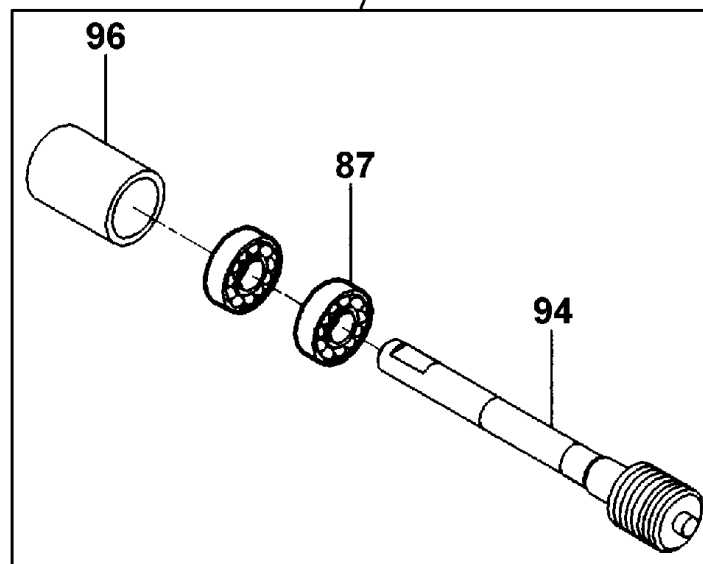


65-1



94-1

57-1





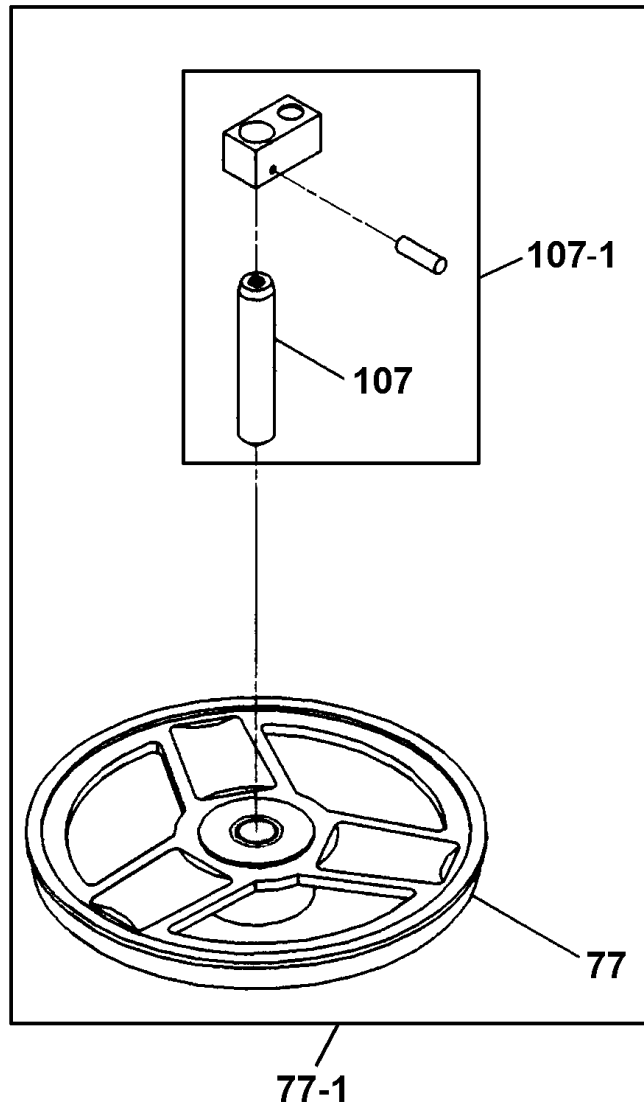
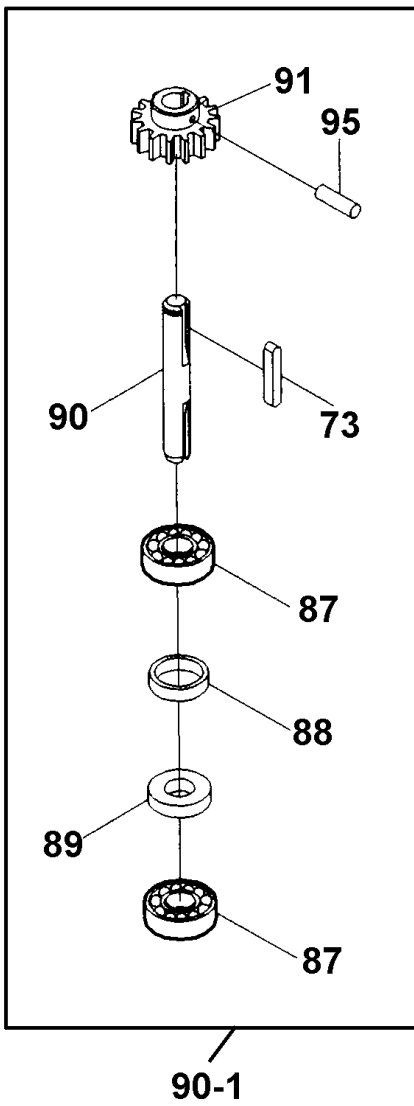
Service Manual / Manuel de Service  
5" x 6" Metal Cutting Bandsaw  
Scie à Ruban pour Métal 5" x 6"



Revised/Revisé 08/2008

Rear Blade Wheel &  
Transmission Shaft Diagram /  
Diagramme de la Roue de Lame Arrière et  
de la Tige de Transmission

KC-128C-4





## Parts Pricing List / Liste de Prix des Pièces

# KC-128C-4

Diag.	Order # Com.	English Description	Description Française	Qty./Qté.	Price/Prix
1	1201280010	HEX. BOLT	BOULON HEXAGONAL	4	\$1.73
3	1201280030	WASHER	RONDELLE	2	\$1.55
4	1201280040	FLOOR STAND (LEG)	BASE (PATTE)	2	\$63.19
6	1201280060	COTTER PIN	GOUPILLE FENDUE	2	\$2.59
8	1201280080	WASHER	RONDELLE	22	\$1.73
9	1201280090	WHEEL SET	ENSEMBLE DE ROULETTE	1	\$33.06
10	1201280100	WASHER	RONDELLE	1	\$1.55
11	1201280110	HEX. BOLT	BOULON HEXAGONAL	8	\$1.90
12	1201280120	HEX. NUT	ECROU HEXAGONAL	14	\$1.55
14	1201280140	LIFTING HANDLE	POIGNEE MANUTENTION	1	\$11.33
15	1201280150	ADJUST ROD & PLASTIC HANDLE	TIGE D'AJUSTEMEN/POIGNEE EN PLAS.	1	\$22.94
16	1201280160	MOTOR CABLE	CORDON DU MOTEUR	1	\$9.14
17	1201280170	PIVOTING ROD	TIGE DE PIVOTEMENT	1	\$17.19
19	1201280190	DISTANCE SET BRACKET	BUTEE DE COUPE	1	\$16.73
20	1201280200	SET SCREW	VIS SANS TETE	1	\$1.67
21	1201280210	STOCK STOP ROD	TIGE DE LA BUTEE	1	\$10.29
22	1201280220	WIRE RETAINER	ATTACHE FIL	2	\$1.90
28-4	1201280284	COMPLETE HANDWHEEL	MANIVELLE COMPLETE	1	\$26.28
30	1201280300	RETAINING RING ("E")	ANNEAU DE RETENU ("E")	1	\$1.55
31	1201280310	HEX. BOLT	BOULON HEXAGONAL	3	\$1.90
32	1201280320	LEAD SCREW	TIGE SANS FIN	1	\$28.69
33	1201280330	WISE NUT	ECROU (TIGE SANS FIN)	1	\$19.49
34	1201280340	MOVABLE VISE PLATE	PLAQUE DE L'ETAU	1	\$28.69
35	1201280350	WASHER	RONDELLE	4	\$1.84
36	1201280360	HEX. BOLT	BOULON HEXAGONAL	1	\$2.07
37-4	1201280374	CAST IRON BED	BASE EN FONTE D'ACIER	1	\$224.25
38	1201280380	FLANGE HD SCREW	VIS A TETE BRIDEE	2	\$1.67
39	1201280390	SCALE	EHELLE	1	\$3.05
40	1201280400	SWITCH BOX	BOITE DE L'INTERRUPTEUR	1	\$4.54
42	1201280420	PAN HD SCREW	VIS A TETE BOMBEE	2	\$1.67
43	1201280430	WIRE PROTECTOR	PROTEGE CORDON	1	\$1.84
44	1201280440	POWER CORD	CORDON D'ALIMENTATION	1	\$17.19
45	1201280450	SPRING HANDLE BRACKET	SUPPORT DU RESSORT	1	\$3.28
45-1	1201280451	SPRING HANDLE BRACKET	SUPPORT DU RESSORT	1	\$3.39
46	1201280460	SPRING ADJUSTING SCREW	VIS D'AJUSTEMENT	1	\$3.28
47	1201280470	SPRING	RESSORT	1	\$14.89
48	1201280480	PAN HD SCREW	VIS A TETE BOMBEE	4	\$1.55
49	1201280490	MITERING VISE PLATE	MACHOIRE D'ETAU/ONGLETS	1	\$57.44
50	1201280500	HEX. BOLT	BOULON HEXAGONAL	5	\$1.73
51	1201280510	WASHER	RONDELLE	3	\$2.93
52	1201280520	HEX. BOLT	BOULON HEXAGONAL	1	\$1.90
53	1201280530	HEX. BOLT	BOULON HEXAGONAL	1	\$2.24
54-4	1201280544	PIVOT	PIVOT	1	\$57.44
55	1201280550	VERTICAL TABLE	TABLE VERTICAL	1	\$40.19
56	1201280560	TABLE SUPPORTING PLATE	SUPPORT DE TABLE	1	\$7.99
57	1201280570	LEFT ADJUSTABLE BRACKET	SUPPORT ADJUST. GAUCHE	1	\$22.94
57-1	1201280571	FRONT BLADE GUIDE ASS'Y	GUIDE DE LAME AVANT ASSEMBLE	1	\$97.58

Pricing subject to change without prior notice. / Prix sujet à changement sans préavis.



## Parts Pricing List / Liste de Prix des Pièces

# KC-128C-4

Diag.	Order # Com.	English Description	Description Française	Qty./Qté.	Price/Prix
59	1201280590	SAFETY COVER	COUVERCLE DE SECURITE	1	\$57.10
59-1	1201280591	BLADE BACK SAFETY COVER	COUVERCLE DE SECURITE/LAME ARR.	1	\$11.10
60	1201280600	RETAINING RING / SHAFT	ANNEAU DE RETENU / TIGE	4	\$1.50
61	1201280610	BALL BEARING	ROULEMENT A BILLES	6	\$12.59
62	1201280620	BEARING SHAFT	TIGE DU GUIDE	2	\$4.20
62-1	1201280621	RIGHT PIVOT GUIDE	TIGE DU GUIDE DROIT	2	\$4.20
63	1201280630	BEARING PIN	GOUPILLE	2	\$5.46
64	1201280640	BEARING ADJ. BRACKET (REAR)	SUPPORT AJUSTABLE/ROULE. (ARR.)	1	\$26.28
64-1	1201280641	BEARING ADJ. BRACKET (FRONT)	SUPPORT AJUSTABLE/ROULE. (AV.)	1	\$26.28
65	1201280650	RIGHT ADJUSTABLE BRACKET	SUPPORT REGLABLE DROIT	1	\$18.34
65-1	1201280651	REAR BLADE GUIDE ASS'Y	GUIDE DE LAME ARRIERE ASSEMBLE	1	\$91.83
66	1201280660	LOCK KNOB	BOUTON DE SERRAGE	1	\$8.45
67	1201280670	SPRING WASHER	RONDELLE A RESSORT	3	\$1.67
68	1201280680	COUNTERSUNK SCREW	VIS FRAISER	3	\$2.24
69	1201280690	DEFLECTOR PLATE	GARDE DE LA LAME	1	\$4.20
70	1201280700	HEX. NUT	ECROU HEXAGONAL	4	\$1.61
71	1201280710	FRONT BLADE WHEEL W/SET SCREW	VOLANT DE LAME AV. A/ VIS SANS TETE	1	\$68.94
72	1201280720	BEARING COVER	COUVERCLE DU ROULEMENT	2	\$4.08
73	1201280730	KEY	CLE DE RETENUE	2	\$2.01
74	1201280740	KEY	CLE DE RETENUE	1	\$2.13
75	1201280750	SPEC. HEX. BOLT W/SPRING WASHER	BOULON HEX. SPEC. A/ RONDELLE RES.	8	\$2.01
76	1201280760	SWITCH CUT OFF TIP	PLAQUE INTERRUPTEUR	1	\$2.59
77	1201280770	REAR BLADE WHEEL W/BUSHING	VOLANT DE LAME ARRIERE A/ BAGUE	1	\$80.44
77-1	1201280771	REAR BLADE WHEEL ASS'Y	ROUE DE LAME ARRIERE ASSEMBLE	1	\$45.94
79	1201280790	BLADE TENSION KNOB	BOUTON DE TENSION	1	\$7.99
80	1201280800	SPRING	RESSORT	1	\$3.28
81-4	1201280814	BODY FRAME	CORPS	1	\$327.75
83	1201280830	HEX. BOLT	BOULON HEXAGONAL	2	\$2.59
84	1201280840	MOTOR MOUNT PLATE	PLAQUE DU MOTEUR	1	\$32.14
85	1201280850	MOTOR	MOTEUR	1	\$286.35
85-2	1201280852	STARTING CAPACITOR	CONDENSATEUR DE DEMARRAGE	1	\$38.93
86	1201280860	MOTOR PULLEY	POULIE DU MOTEUR	1	\$20.53
87	1201280870	BALL BEARING	ROULEMENT A BILLES	4	\$11.44
88	1201280880	BUSHING	BAGUE	1	\$1.78
89	1201280890	OIL SEAL	JOINT D'ETANCHEITE	2	\$14.66
90	1201280900	TRANSMISSION SHAFT	TIGE DE TRANSMISSION	1	\$22.94
90-1	1201280901	TRANSMISSION SHAFT ASS'Y	TIGE DE TRANSMISSION ASSEMBLEE	1	\$68.94
91	1201280910	WORM GEAR	PINION	1	\$42.15
92	1201280920	GEAR BOX GASKET	JOINT DU BOITIER	1	\$5.69
93	1201280930	GEAR BOX COVER	COUVERCLE DU BOITIER	1	\$14.89
94	1201280940	WORM GEAR SHAFT	TIGE DU PINION	1	\$57.44
94-1	1201280941	WORM GEAR SHAFT ASS'Y	TIGE DU PIGNON ASSEMBLE	1	\$52.84
95	1201280950	PIN	GOUPILLE	1	\$1.78
96	1201280960	BEARING BUSHING	BAGUE DU ROULEMENT	1	\$9.14
98	1201280980	THUMB SCREW	BOUTON	1	\$4.54
100	1201281000	COUNTERSUNK SCREW	VIS A TETE FRAISEE	6	\$1.55
101	1201281010	WORM GEAR PULLEY W/SET SCREW	POULIE DU PINION A/ VIS SANS TETE	1	\$68.94

Pricing subject to change without prior notice. / Prix sujet à changement sans préavis.



## Parts Pricing List / Liste de Prix des Pièces

# KC-128C-4

Diag.	Order # Com.	English Description	Description Française	Qty./Qté.	Price/Prix
102	1201281020	SPRING WASHER	RONDELLE A RESSORT	2	\$1.67
103	1201281030	TENSION SLIDING PLATE	PLAQUE DE GLISSEMENT	1	\$20.64
104	1201281040	SET SCREW	VIS SANS TETE	2	\$1.78
107	1201281070	BLADE WHEEL SHAFT	TIGE DE LA ROUE	1	\$10.29
107-1	1201281071	BLADEWHEEL BLOCK/SHAFT ASS'Y	TIGE ET BLOC DE LA ROUE ASS.	1	\$28.69
108	1201281080	SHAFT BLOCK	BLOC DE LA TIGE	1	\$8.80
109	1201281090	TENSION SLIDING GUIDE	GUIDES DE TENSION	2	\$5.58
111	1201281110	COMPLETE PULLEY COVER	COUVERCLE DES POULIES COMP.	1	\$103.44
112	1201281120	V-BELT	COURROIE EN "V"	1	\$10.29
113	KBB-115	BLADE	LAME	1	-
114	1201281140	SPRING WASHER	RONDELLE A RESSORT	4	\$1.55
115	1201281150	BUILT-IN SHELF	TABLETTE	1	\$34.33
117	1201281170	SPRING WASHER	RONDELLE A RESSORT	4	\$1.55
120	1201281200	BUSHING	BAGUE	2	\$4.20
122	1201281220	HEX. NUT	ECROU HEXAGONAL	1	\$2.24
124	1201281240	TAPPING SCREW (POINT)	VIS AUTOTARADEUSE POINTUE	2	\$1.67
134	1201281340	CARRIAGE BOLT	BOULON A CARROSSERIE	4	\$1.78
140	1201281400	HEX. NUT	ECROU HEXAGONAL	4	\$1.55
156	1201281560	PAN HD SCREW	VIS A TETE BOMBEE	1	\$1.67
157	1201281570	STAR WASHER	RONDELLE ETOILEE	3	\$1.73
158	1201281580	HEX. NUT	ECROU HEXAGONAL	2	\$1.55
183	1201281830	HEX. NUT	ECROU HEXAGONAL	1	\$1.55
187	1201281870	WASHER	RONDELLE	1	\$1.55
189	1201281890	WASHER	RONDELLE	2	\$1.55
197	1201281970	TAPPING SCREW	VIS AUTOTARADEUSE POINTUE	1	\$1.67
198	1201281980	RETAINING RING / SHAFT	ANNEAU DE RETENU / TIGE	1	\$1.55
203	1201282030	SWITCH WITH NUT	INTERRUPTEUR AVEC ECROU	1	\$14.89
207	1201282070	PIN	GOUPILLE	1	\$6.84
208	1201282080	LOCK KNOB	BOUTON DE SERRAGE	1	\$3.74
212	1201282120	HEX. KEY (4MM)	CLE HEXAGONALE (4MM)	1	\$2.70
213	1201282130	LOCKING LEVER	LEVIER DE VERROUILLAGE	1	\$5.69
214	1201282140	WASHER	RONDELLE	1	\$1.61
215	1201282150	HEX. BOLT	BOULON HEXAGONAL	1	\$1.73
216	1201282160	HEX. BOLT	BOULON HEXAGONAL	2	\$1.90
218	1201282180	NYLON HEX. NUT	ECROU HEXAGONAL AVEC NYLON	1	\$1.73
219	1201282190	LOCK KNOB	BOUTON DE SERRAGE	1	\$3.74
220	1201282200	HEX. NUT	BOULON HEXAGONAL	1	\$2.07
221	1201282210	SET SCREW	VIS SANS TETE	2	\$1.61
222	1201282220	SPEC. HEX. BOLT W/SPRING WASHER	VIS HEX. SPEC. A/ RONDELLE RES.	1	\$2.01
223	1201282230	SET SCREW	VIS SANS TETE	1	\$2.01
226	1201282260	PAN HD SCREW	VIS A TETE BOMBEE	2	\$1.61
555-5	1201285555	HARDWARE BAG	SAC DE QUINCAILLERIE	1	\$26.39
	120128MBIL	BILINGUAL MANUAL KC-128C-4	MANUEL BILINGUE KC-128C-4	1	\$15.00

Pricing subject to change without prior notice. / Prix sujet à changement sans préavis.

## Free Manuals Download Website

<http://myh66.com>

<http://usermanuals.us>

<http://www.somanuals.com>

<http://www.4manuals.cc>

<http://www.manual-lib.com>

<http://www.404manual.com>

<http://www.luxmanual.com>

<http://aubethermostatmanual.com>

Golf course search by state

<http://golfingnear.com>

Email search by domain

<http://emailbydomain.com>

Auto manuals search

<http://auto.somanuals.com>

TV manuals search

<http://tv.somanuals.com>