



# Service Manual / Manuel de Service

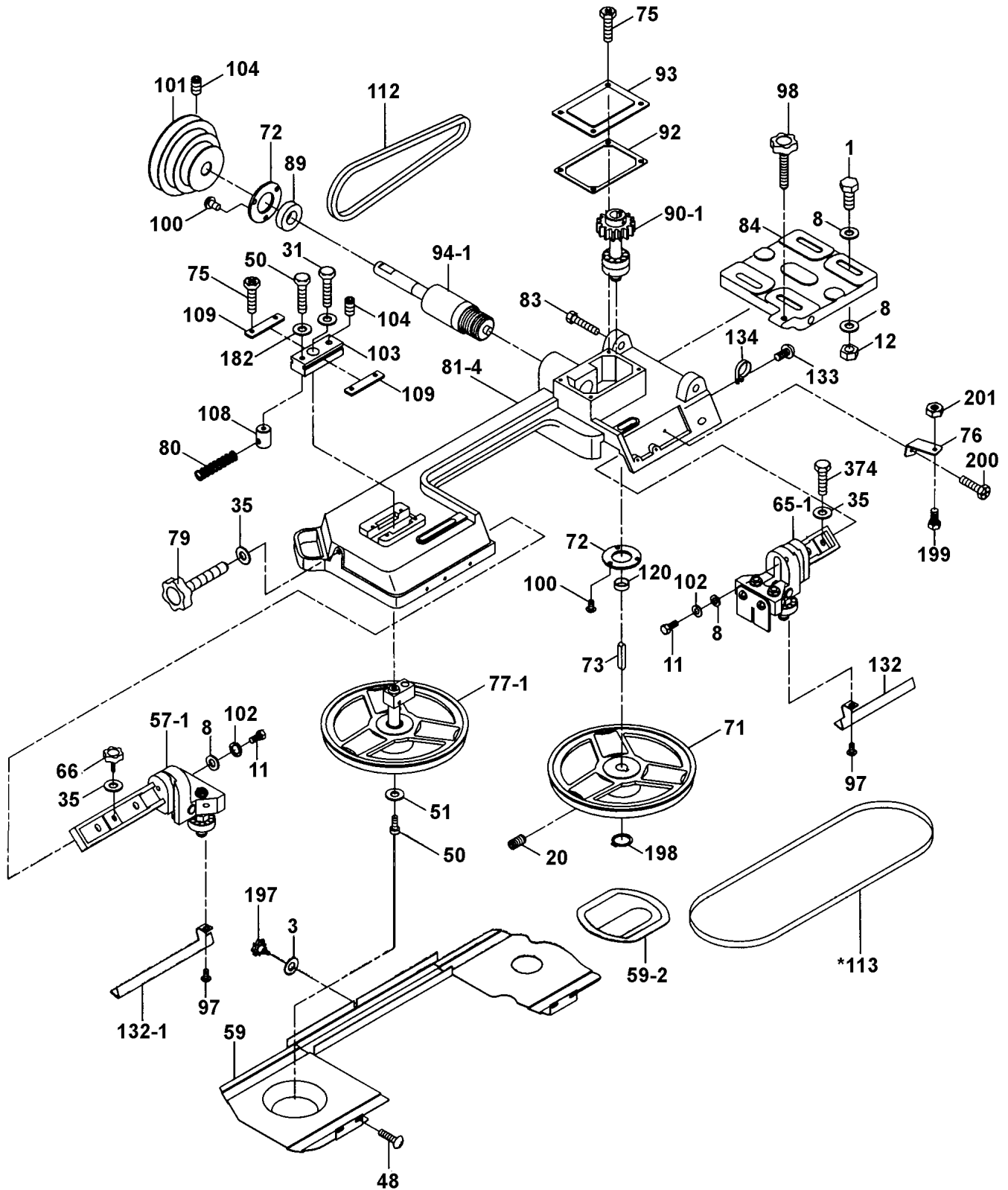
## 5" x 6" Metal Cutting Swivel Bandsaw Scie à Ruban Pivotante 5" x 6" pour Métal



Revised/Revisé 08/2008

### Head Diagram / Diagramme de la Tête

# KC-128CB-S-4





# Service Manual / Manuel de Service

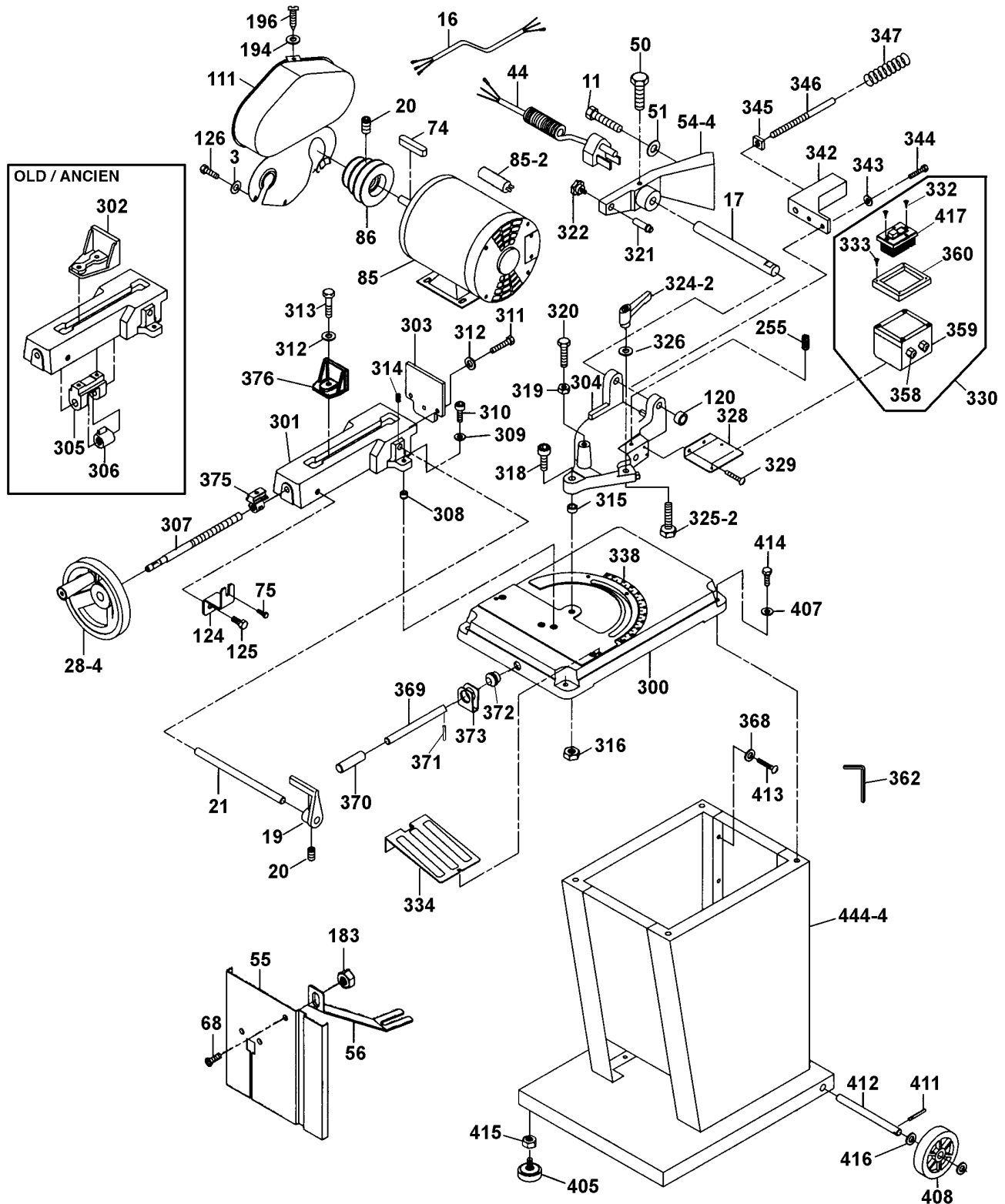
## 5" x 6" Metal Cutting Swivel Bandsaw Scie à Ruban Pivotante 5" x 6" pour Métal



Revised/Revisé 08/2008

### Motor & Base Diagram / Diagramme du Moteur et de la Base

# KC-128CB-S-4





# Service Manual / Manuel de Service

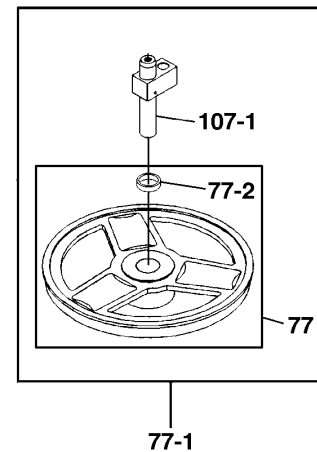
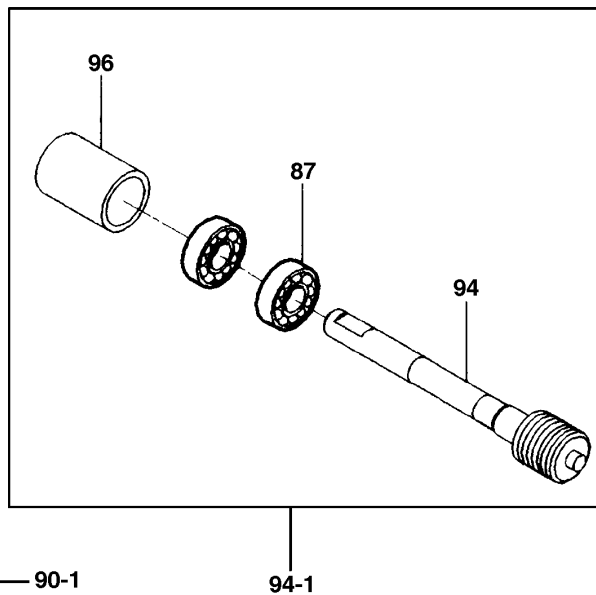
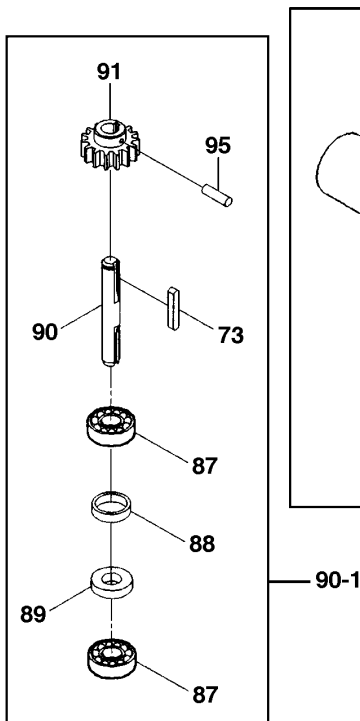
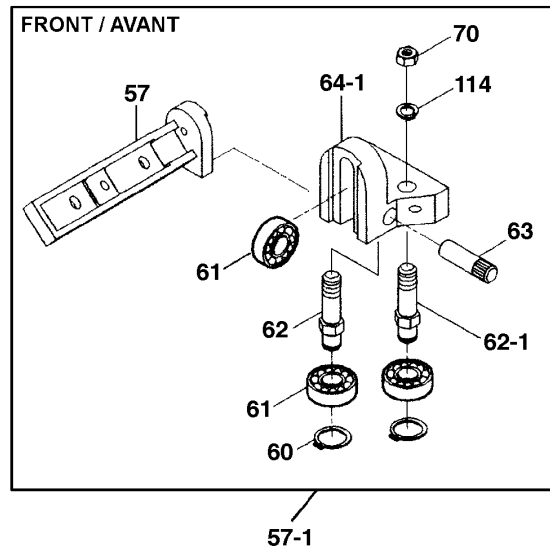
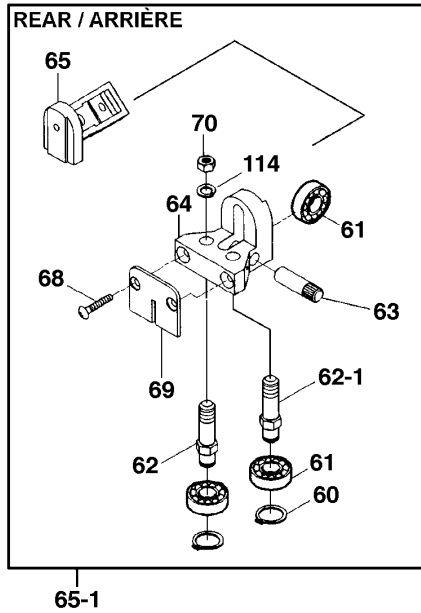
## 5" x 6" Metal Cutting Swivel Bandsaw Scie à Ruban Pivotante 5" x 6" pour Métal



Revised/Revisé 08/2008

### Gear & Blade Guide Diagram / Diagrammes des Engrenages et des Guides de Lame

# KC-128CB-S-4





# Parts Pricing List / Liste de Prix des Pièces **KC-128CB-S-4**

Diag.	Order # Com.	English Description	Description Française	Qty./Qté.	Price/Prix
1	1212800010	HEX. BOLT	BOULON HEXAGONAL	4	\$1.73
3	1212800030	WASHER	RONDELLE	3	\$1.55
8	1212800080	WASHER	RONDELLE	10	\$1.73
11	1212800110	HEX. BOLT	BOULON HEXAGONAL	4	\$1.90
12	1212800120	HEX. NUT	ECROU HEXAGONAL	4	\$1.55
16	1212800160	MOTOR CORD	CORDON DU MOTEUR	1	\$9.14
17	1212800170	PIVOTING ROD	TIGE DE PIVOTEMENT	1	\$17.19
19	1212800190	DISTANCE SET BRACKET	BUTEE DE COUPE	1	\$16.73
20	1212800200	SET SCREW	VIS SANS TETE	3	\$1.67
21	1212800210	STOCK STOP ROD	TIGE DE LA BUTEE	1	\$10.29
28-4	1212800284	COMPLETE HANDWHEEL	MANIVELLE COMPLETE	1	\$26.28
31	1212800310	HEX. BOLT	BOULON HEXAGONAL	1	\$1.73
35	1212800350	WASHER	RONDELLE	3	\$1.84
44	1212800440	POWER CORD	CORDON D'ALIMENTATION	1	\$17.19
48	1212800480	PAN HD SCREW	VIS A TETE BOMBEE	4	\$1.55
50	1212800500	HEX. BOLT	BOULON HEXAGONAL	3	\$1.90
51	1212800510	WASHER	RONDELLE	3	\$1.73
54-4	1212800544	PIVOT	PIVOT	1	\$57.44
55	1212800550	VERTICAL SAW TABLE	TABLE VERTICALE	1	\$41.00
56	1212800560	TABLE SUPPORTING PLATE	PLAQUE DE SUPPORT	1	\$7.99
57	1212800570	LEFT ADJUSTING BRACKET	SUPPORT AJUST. GAUCHE	1	\$22.94
57-1	1212800571	FRONT BLADE GUIDE ASS'Y	GUIDE DE LAME AVANT ASSEMBLEE	1	\$97.58
59	1212800590	BACK SAFETY COVER	COUVERCLE DE SECURITE	1	\$57.10
59-2	1212800592	BLADE BACK SAFETY COVER	PIECE COULISSANTE	1	\$11.10
60	1212800600	RETAINING RING/SHAFT	ANNEAU DE RETENU/TIGE	4	\$1.50
61	1212800610	BALL BEARING	ROULEMENT A BILLES	6	\$12.59
62	1212800620	BEARING SHAFT	TIGE DU ROULEMENT	2	\$4.20
62-1	1212800621	RIGHT PIVOT GUIDE	TIGE DE ROULEMENT DROITE	2	\$4.20
63	1212800630	BEARING PIN	GOUPILLE	2	\$5.46
64	1212800640	REAR BLADE ADJUST.	ADJUST. DE LAME ARRIERE	1	\$26.28
64-1	1212800641	BEARING ADJ. BRACKET (FRONT)	SUPPORT AJUST./ROULEMENTS (AV.)	1	\$26.28
65	1212800650	RIGHT ADJUSTABLE BRACKET	SUPPORT AJUST. DROIT	1	\$18.34
65-1	1212800651	REAR BLADE GUIDE ASS'Y	GUIDE DE LAME ASSEMBLEE	1	\$91.83
66	1212800660	LOCK KNOB	BOUTON	1	\$8.45
68	1212800680	COUNTERSUNK SCREW	VIS A TETE FRAISEE	3	\$2.24
69	1212800690	DEFLECTOR PLATE	PLAQUE DU ROULEMENT	1	\$6.15
70	1212800700	HEX. NUT	ECROU HEXAGONAL	4	\$1.61
71	1212800710	FRONT BLADE WHEEL W/SET SCREW	VOLANT DE LAME AV. A/VIS SANS TETE	1	\$68.94
72	1212800720	BEARING COVER	COUVERCLE DU ROULEMENT	2	\$7.53
73	1212800730	KEY	CLE DE RETENUE	2	\$2.01
74	1212800740	KEY	CLE DE RETENUE	1	\$2.13
75	1212800750	HEX. BOLT W/SPRING WASHER	BOULON HEX. A/RONDELLE RESSORT	9	\$2.01
76	1212800760	SWITCH CUT OFF TIP	PLAQUE D'INTERRUPTEUR	1	\$14.43
77	1212800770	REAR BLADE WHEEL	VOLANT ARRIERE	1	\$80.44
77-1	1212800771	REAR BLADE WHEEL ASS'Y	ROUE DE LAME ARRIERE ASS.	1	\$91.94
77-2	1212800772	BUSHING	BAGUE	1	\$28.69
79	1212800790	TENSION KNOB	BOUTON DE TENSION	1	\$7.99

Pricing subject to change without prior notice. / Prix sujet à changement sans préavis.



## Parts Pricing List / Liste de Prix des Pièces **KC-128CB-S-4**

Diag.	Order # Com.	English Description	Description Française	Qty./Qté.	Price/Prix
80	1212800800	SPRING	RESSORT	1	\$3.28
81-4	1212800814	BODY FRAME	CORPS	1	\$327.75
83	1212800830	HEX. BOLT	BOULON HEXAGONAL	2	\$2.59
84	1212800840	MOTOR MOUNT PLATE	PLAQUE DU MOTEUR	1	\$32.14
85	1212800850	MOTOR	MOTEUR	1	\$286.35
85-2	1212800852	STARTING CAPACITOR	CONDENSATEUR DE DEMARRAGE	1	\$38.93
86	1212800860	MOTOR PULLEY	POULIE DU MOTEUR	1	\$20.53
87	1212800870	BALL BEARING	ROULEMENT A BILLES	4	\$11.44
88	1212800880	BUSHING	BAGUE	1	\$1.78
89	1212800890	OIL SEAL	JOINT D'ETANCHEITE	2	\$14.66
90	1212800900	TRANSMISSION SHAFT	TIGE DE TRANSMISSION	1	\$22.94
90-1	1212800901	TRANSMISSION SHAFT ASS'Y	TIGE DE TRANSMISSION ASSEMBLEE	1	\$68.94
91	1212800910	WORM GEAR	ENGRENAGE SANS FIN	1	\$42.15
92	1212800920	GEAR BOX GASKET	JOINT DU BOITIER	1	\$5.69
93	1212800930	GEAR BOX COVER	COUVERCLE DU BOITIER	1	\$14.89
94	1212800940	WORM GEAR SHAFT	TIGE A ENGRENAGE SANS FIN	1	\$57.44
94-1	1212800941	WORM GEAR SHAFT ASS'Y	TIGE A ENGRENAGE SANS FIN ASS.	1	\$97.69
95	1212800950	SPRING PIN	GOUPILLE A RESSORT	1	\$1.78
96	1212800960	BEARING BUSHING	BAGUE DU ROULEMENT	1	\$9.14
97	1212800970	PAN HD SCREW	VIS A TETE BOMBEE	2	\$1.50
98	1212800980	THUMB SCREW	BOUTON	1	\$4.54
100	1212801000	COUNTERSUNK SCREW	VIS A TETE FRAISEE	6	\$1.55
101	1212801010	WORM GEAR PULLEY	POULIE DE L'ENGRENAGE SANS FIN	1	\$68.94
102	1212801020	SPRING WASHER	RONDELLE A RESSORT	2	\$1.67
103	1212801030	TENSION SLIDING PLATE	PLAQUE DE TENSION	1	\$20.64
104	1212801040	SET SCREW	VIS SANS TETE	2	\$1.90
107-1	1212801071	BLADE WHEEL BLOCK/SHAFT ASS'Y	TIGE ET BLOC DE LA ROUE ASS.	1	\$28.69
108	1212801080	SHAFT BLOCK	BLOC DE LA TIGE	1	\$8.80
109	1212801090	TENSION SLIDING GUIDE	GUIDE DE TENSION	2	\$5.58
111	1212801110	COMPLETE PULLEY COVER	COUVERCLE DES POULIES COMP.	1	\$103.44
112	1212801120	V-BELT	COURROIE EN "V"	1	\$10.29
113	KBB-115	BLADE	LAME	1	-
114	1212801140	SPRING WASHER	RONDELLE A RESSORT	4	\$1.55
120	1212801200	BUSHING	BAGUE	2	\$4.20
124	1212801240	LOCKING LEVER	LEVIER DE VERROUILLAGE	1	\$5.69
125	1212801250	HEX. BOLT	BOULON HEXAGONAL	1	\$1.73
126	1212801260	HEX. BOLT	BOULON HEXAGONAL	2	\$1.55
132	1212801320	RIGHT SAFETY GUARD	PROTECTEUR DROIT	1	\$14.89
132-1	1212801321	LEFT SAFETY GUARD	PROTECTEUR GAUCHE	1	\$14.89
133	1212801330	PAN HD SCREW	VIS A TETE BOMBEE	1	\$1.55
134	1212801340	CABLE CLAMP	ATTACHE POUR FIL	1	\$1.67
182	1212801820	WASHER	RONDELLE	2	\$1.73
183	1212801830	HEX. NUT	ECROU HEXAGONAL	1	\$1.55
194	1212801940	WASHER	RONDELLE	1	\$1.55
196	1212801960	TAPPING SCREW (POINT)	VIS AUTOTARADEUSE (POINTUE)	1	\$1.67
197	1212801970	LOCK KNOB	BOUTON DE VERROUILLAGE	1	\$3.74
198	1212801980	RETAINING RING/SHAFT	ANNEAU DE RETENU/TIGE	1	\$1.55

Pricing subject to change without prior notice. / Prix sujet à changement sans préavis.



## Parts Pricing List / Liste de Prix des Pièces **KC-128CB-S-4**

Diag.	Order # Com.	English Description	Description Française	Qty./Qté.	Price/Prix
199	1212801990	HEX. BOLT	BOULON HEXAGONAL	1	\$1.90
200	1212802000	HEX. BOLT W/SPRING WASHER	BOULON HEX. A/RONDELLE A RES.	1	\$2.01
201	1212802010	HEX. NUT	ECROU HEXAGONAL	1	\$1.55
255	1212802250	SET SCREW	VIS SANS TETE	1	\$1.55
300	1212803000	TABLE BASE	BASE DE LA TABLE	1	\$281.75
301	1212803010	WORKING TABLE	TABLE DE TRAVAIL	1	\$171.35
302	1212803020	FRONT VISE JAW BRACKET	MACHOIRE AVANT DE L'ETAU	1	\$52.84
303	1212803030	VISE JAW PLATE	PLAQUE ARRIERE DE L'ETAU	1	\$45.94
304	1212803040	UPPER SWIVEL BASE	BASE A ONGLETS	1	\$155.25
305	1212803050	BRACKET	SUPPORT	1	\$34.44
306	1212803060	ACME NUT	ECROU SANS FIN	1	\$28.46
307	1212803070	THREADED ROD	TIGE SANS FIN	1	\$52.84
308	1212803080	BUSHING	BAGUE	2	\$10.29
309	1212803090	SPRING WASHER	RONDELLE A RESSORT	2	\$1.55
310	1212803100	CAP SCREW	BOULON A TETE CYLINDRIQUE	2	\$1.90
311	1212803110	HEX. BOLT	BOULON HEXAGONAL	3	\$1.73
312	1212803120	WASHER	RONDELLE	5	\$1.55
313	1212803130	HEX. BOLT	BOULON HEXAGONAL	2	\$1.90
314	1212803140	SET SCREW	VIS SANS TETE	2	\$1.55
315	1212803150	POSITIONING RING	ANNEAU DE POSITIONNEMENT	1	\$7.99
316	1212803160	HEX. NUT	ECROU HEXAGONAL	1	\$2.01
318	1212803180	CAP SCREW	BOULON A TETE CYLINDRIQUE	1	\$3.16
319	1212803190	HEX. NUT	ECROU HEXAGONAL	1	\$1.61
320	1212803200	HEX. BOLT	BOULON HEXAGONAL	1	\$1.90
321	1212803210	POSITION PIN	GOUPILLE DE POSITIONNEMENT	1	\$6.84
322	1212803220	LOCK KNOB	BOUTON DE VERROUILLAGE	1	\$3.74
324-2	1212803242	LOCK HANDLE (FEMALE THREAD)	POIGNEE DE VERR. (FILETAGE INT.)	1	\$25.24
325-2	1212803252	HEX. BOLT	BOULON HEXAGONAL	1	\$2.24
326	1212803260	WASHER	RONDELLE	1	\$1.84
328	1212803280	SWITCH BASE	BASE D'INTERRUPTEUR	1	\$11.44
329	1212803290	PAN HD SCREW	VIS A TETE BOMBEE	2	\$1.55
330	1212803300	MAIN SWITCH ASSEMBLY	BOITE DE L'INTERRUPTEUR ASS.	1	\$86.19
332	1212803320	TAPPING SCREW (POINT)	VIS AUTOTARAUDEUSE (POINTUE)	2	\$1.67
333	1212803330	TAPPING SCREW (POINT)	VIS AUTOTARAUDEUSE (POINTUE)	4	\$1.67
334	1212803340	PROTECTIVE PLATE	PLAQUE PROTECTRICE	1	\$16.73
338	1212803380	SCALE	ECELLE	1	\$22.94
342	1212803420	BALANCING BRACKET	SUPPORT D'EQUILIBRAGE	1	\$45.94
343	1212803430	WASHER	RONDELLE	2	\$1.67
344	1212803440	HEX. BOLT	BOULON HEXAGONAL	2	\$2.07
345	1212803450	THREADED BLOCK	BLOC FILETE	1	\$18.34
346	1212803460	THREADED ROD	TIGE FILETEE	1	\$22.94
347	1212803470	BALANCING SPRING	RESSORT D'EQUILIBRAGE	1	\$11.44
358	1212803580	STRAIN RELIEF	ATTACHE FIL	2	\$2.59
359	1212803590	SWITCH BOX	BOITIER DE L'INTERRUPTEUR	1	\$12.59
360	1212803600	SWITCH COVER	COUVERCLE DE L'INTERRUPTEUR	1	\$22.94
362	1212803620	HEX. KEY (4MM)	CLE HEXAGONALE (4MM)	1	\$2.70
368	1212803680	WASHER	RONDELLE	16	\$1.55

Pricing subject to change without prior notice. / Prix sujet à changement sans préavis.



## Parts Pricing List / Liste de Prix des Pièces **KC-128CB-S-4**

Diag.	Order # Com.	English Description	Description Française	Qty./Qté.	Price/Prix
369	1212803690	SHAFT	TIGE	1	\$22.94
370	1212803700	KNOB	BOUTON	1	\$10.29
371	1212803710	COTTER PIN	GOUPILLE FENDUE	1	\$2.59
372	1212803720	HANDLE SHAFT STOPPER	ARRET DE LA TIGE	1	\$17.19
373	1212803730	SCREW PLATE	PLAQUE DE LA VIS	1	\$13.63
374	1212803740	HEX. BOLT	BOULON HEXAGONAL	1	\$2.07
375	1212803750	WISE NUT	ECROU (TIGE SANS FIN)	1	\$19.49
376	1212803760	MOVEABLE VISE PLATE	PLAQUE D'ETAU MOBILE	1	\$52.84
405	1212804050	RUBBER FOOT	PIED EN CAOUTCHOUC	4	\$11.44
407	1212804070	WASHER	RONDELLE	4	\$1.55
408	1212804080	WHEEL	ROUE	2	\$17.19
411	1212804110	COTTER PIN	GOUPILLE FENDUE	2	\$2.59
412	1212804120	WHEEL ROD	TIGE DES ROUES	1	\$33.06
413	1212804130	PAN HD SCREW	VIS A TETE BOMBEE	16	\$1.61
414	1212804140	HEX. BOLT	BOULON HEXAGONAL	4	\$1.90
415	1212804150	HEX. NUT	ECROU HEXAGONAL	4	\$1.61
416	1212804160	WASHER	RONDELLE	4	\$2.93
417	1212804170	SWITCH ONLY	INTERRUPTEUR SEULEMENT	1	\$68.94
444-4	1212804444	COMPLETE CABINET STAND	SUPPORT CABINET COMPLET	1	\$339.25
555-5	1212805555	HARDWARE BAG	SAC DE QUINCAILLERIE	1	\$22.94
	121280MBIL	BILINGUAL MANUAL KC-128CB-S-4	MANUEL BILINGUE KC-128CB-S-4	1	\$15.00

Pricing subject to change without prior notice. / Prix sujet à changement sans préavis.

## Free Manuals Download Website

<http://myh66.com>

<http://usermanuals.us>

<http://www.somanuals.com>

<http://www.4manuals.cc>

<http://www.manual-lib.com>

<http://www.404manual.com>

<http://www.luxmanual.com>

<http://aubethermostatmanual.com>

Golf course search by state

<http://golfingnear.com>

Email search by domain

<http://emailbydomain.com>

Auto manuals search

<http://auto.somanuals.com>

TV manuals search

<http://tv.somanuals.com>