



# Service Manual / Manuel de Service

## 5" x 6" Metal Cutting Bandsaw

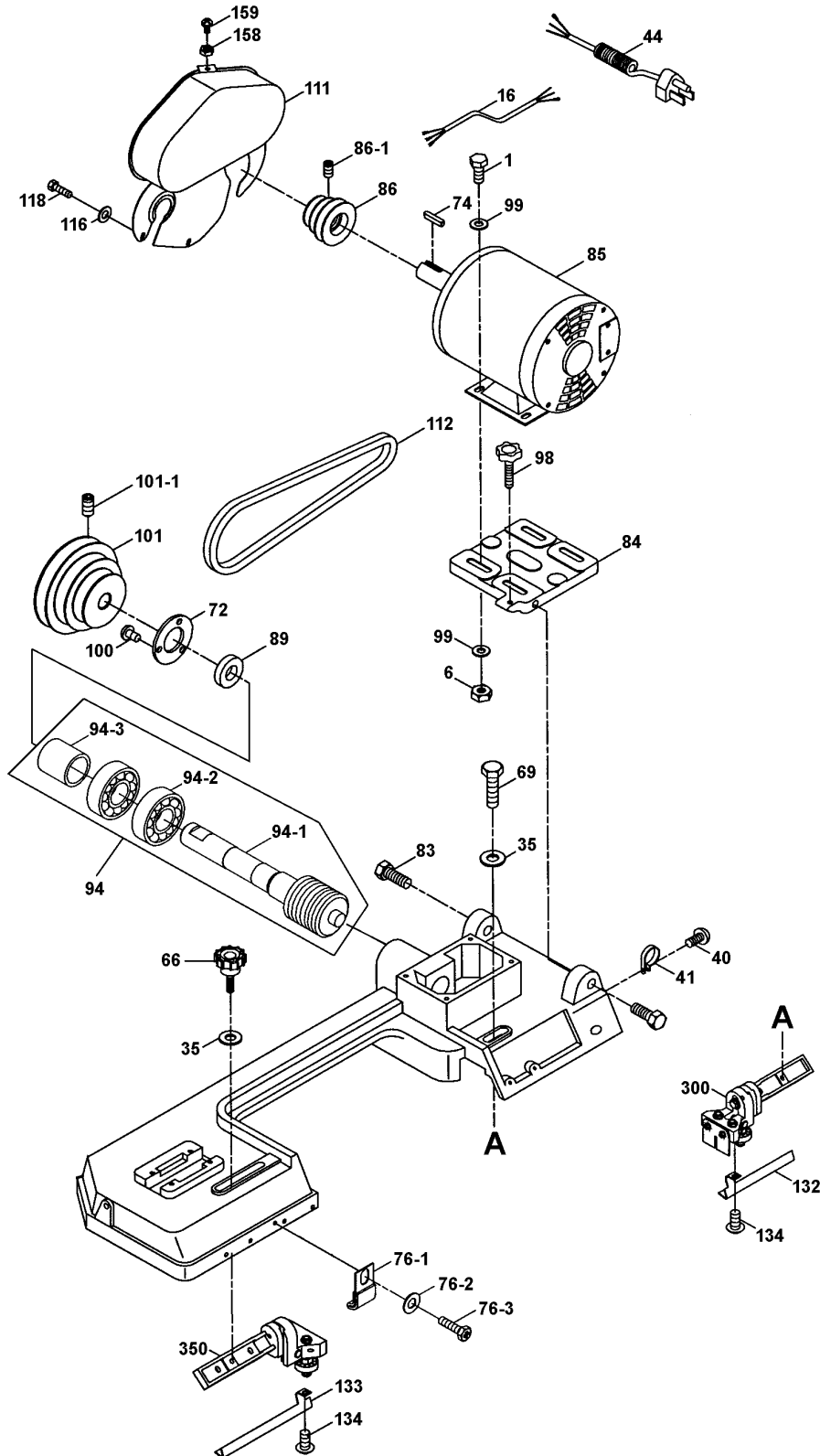
### Scie à Ruban 5" x 6" pour Métal



Revised/Revisé 08/2008

#### Motor Diagram / Diagramme du Moteur

### KC-129C





# Service Manual / Manuel de Service

## 5" x 6" Metal Cutting Bandsaw

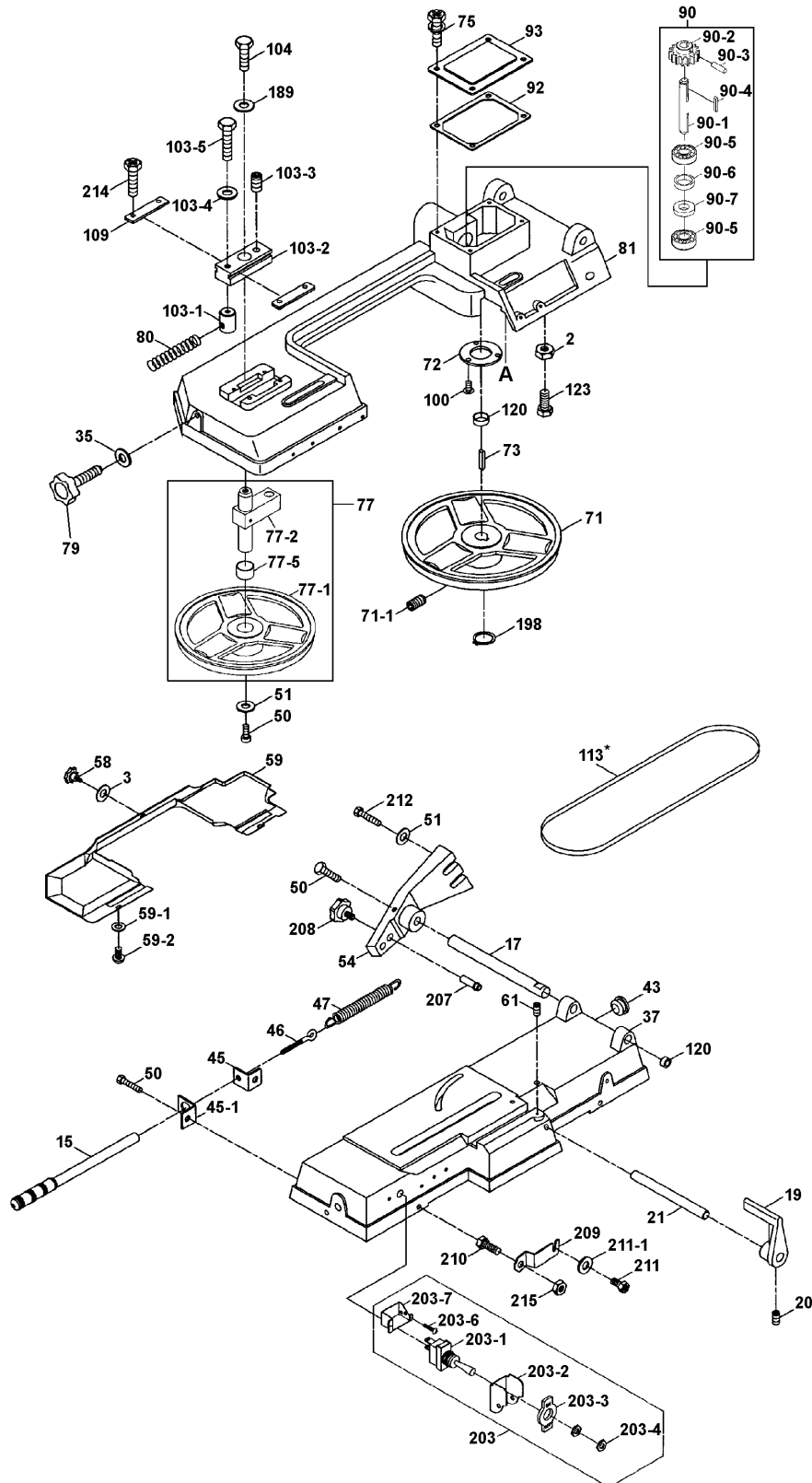
### Scie à Ruban 5" x 6" pour Métal



Revised/Revisé 08/2008

#### Head Diagram / Diagramme de la Tête

# KC-129C





# Service Manual / Manuel de Service

## 5" x 6" Metal Cutting Bandsaw

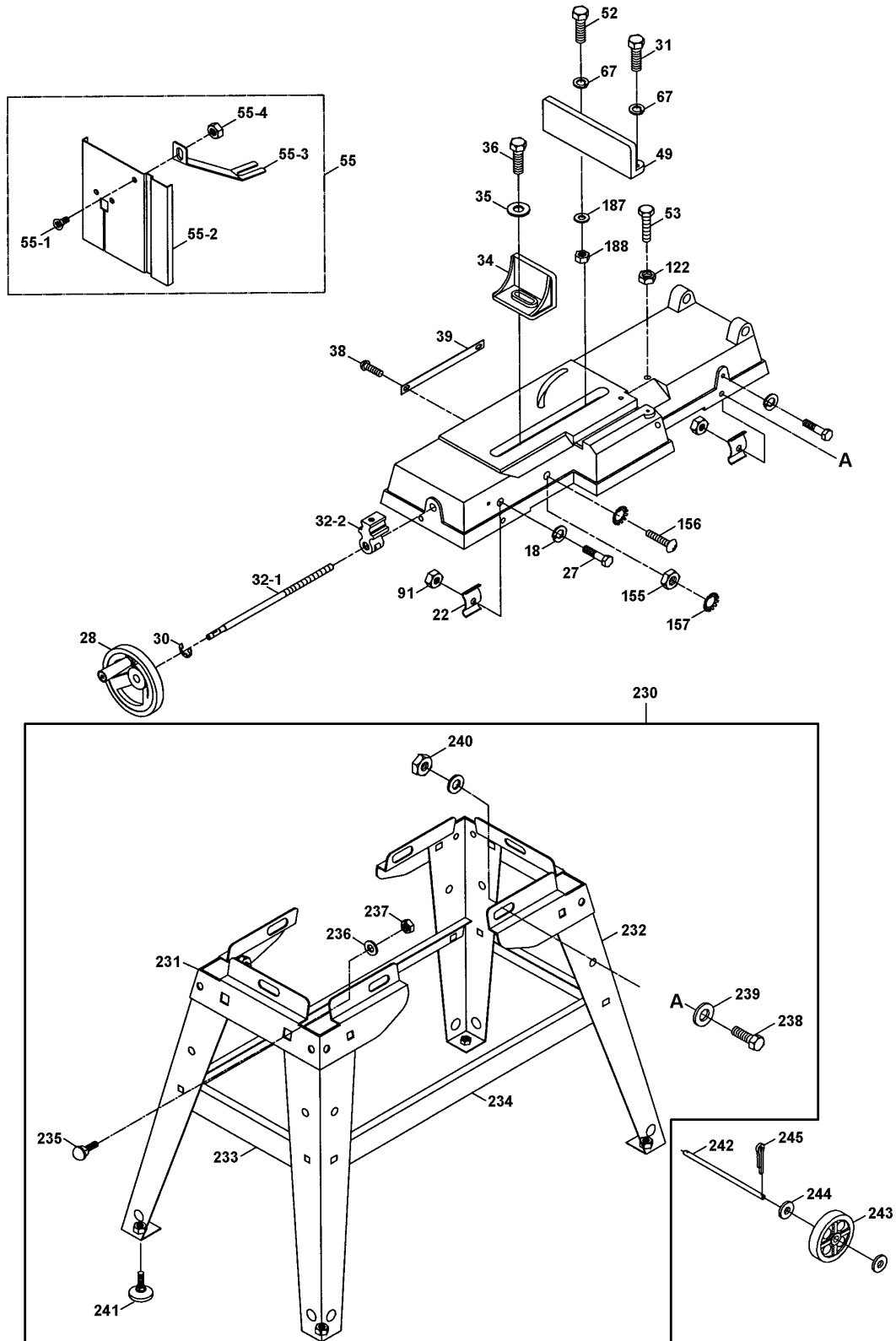
### Scie à Ruban 5" x 6" pour Métal



Revised/Revisé 08/2008

#### Base Diagram / Diagramme de la Base

# KC-129C





# Service Manual / Manuel de Service

## 5" x 6" Metal Cutting Bandsaw

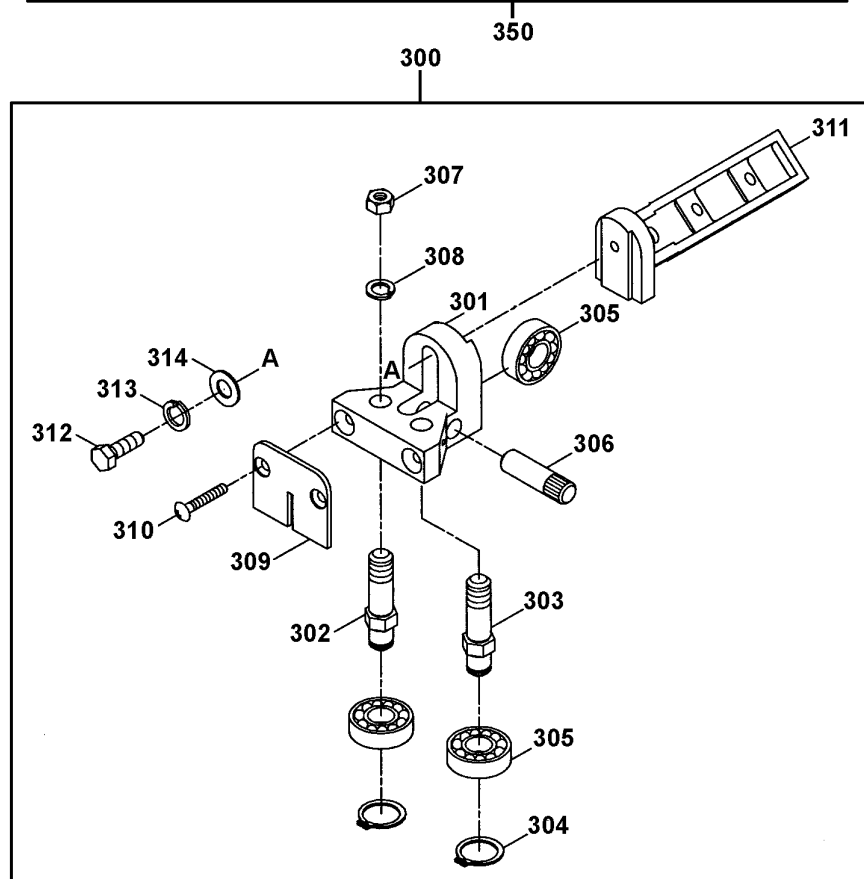
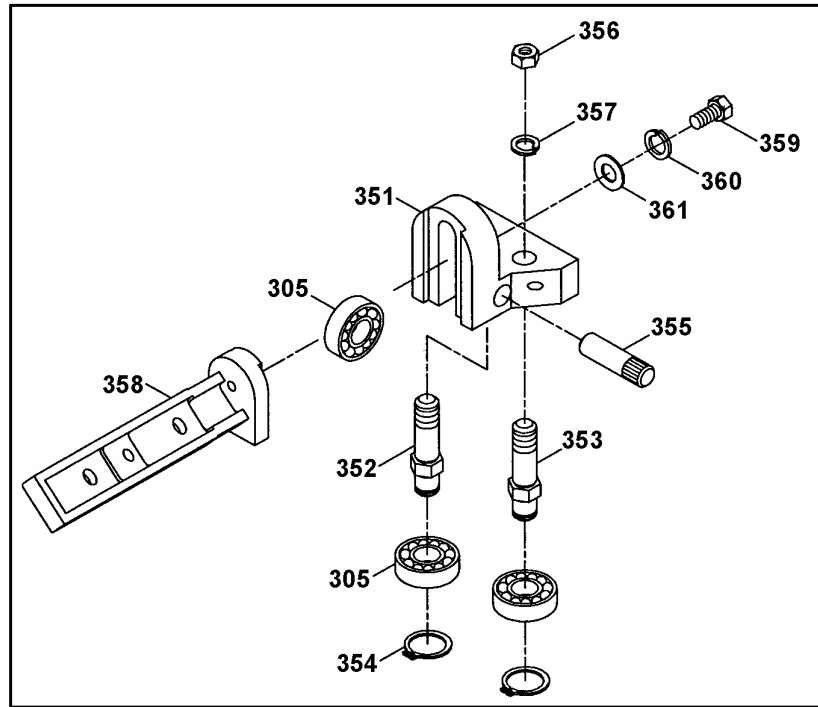
### Scie à Ruban 5" x 6" pour Métal



Revised/Revisé 08/2008

#### Blade Guides Diagram / Diagramme des Guides de Lame

**KC-129C**





## Parts Pricing List / Liste de Prix des Pièces

# KC-129C

Diag.	Order # Com.	English Description	Description Française	Qty./Qté.	Price/Prix
1	1201290010	HEX. BOLT	BOULON HEXAGONAL	4	\$1.55
2	1201290020	HEX. NUT	ECROU HEXAGONAL	1	\$1.55
3	1201290030	WASHER	RONDELLE	1	\$1.55
6	1201290060	HEX. NUT	ECROU HEXAGONAL	4	\$1.55
15	1201290150	ADJUST. ROD & PLASTIC HANDLE	TIGE D'AJUST. & POIGNEE EN PLAS.	1	\$22.94
16	1201290160	MOTOR CABLE	CORDON DU MOTEUR	1	\$16.04
17	1201290170	PIVOTING ROD	TIGE DE PIVOTEMENT	1	\$17.19
18	1201290180	SPRING WASHER	RONDELLE A RESSORT	2	\$1.67
19	1201290190	DISTANCE SET BRACKET	BUTEE DE COUPE	1	\$16.73
20	1201290200	SET SCREW	BUTEE DE COUPE	1	\$1.67
21	1201290210	STOCK STOP ROD	TIGE DE LA BUTEE	1	\$10.29
22	1201290220	WIRE RETAINER	ATTACHE FIL	2	\$1.55
27	1201290270	HEX. BOLT	BOULON HEXAGONAL	2	\$1.90
28	1201290280	COMPLETE HAND WHEEL	MANIVELLE COMPLETE	1	\$28.69
30	1201290300	RETAINING RING ("E")	ANNEAU DE RETENU ("E")	1	\$1.55
31	1201290310	HEX. BOLT	BOULON HEXAGONAL	1	\$1.90
32-1	1201290321	LEAD SCREW	TIGE SANS FIN	1	\$28.69
32-2	1201290322	WISE NUT	ECROU (TIGE SANS FIN)	1	\$19.49
34	1201290340	MOVABLE VISE PLATE	PLAQUE DE L'ETAU	1	\$28.69
35	1201290350	WASHER	RONDELLE	4	\$1.61
36	1201290360	HEX. BOLT	BOULON HEXAGONAL	1	\$2.07
37	1201290370	CAST IRON BED	BASE EN FONTE D'ACIER	1	\$281.75
38	1201290380	PAN HD SCREW	VIS A TETE BOMBEE	2	\$1.55
39	1201290390	SCALE	EHELLE	1	\$6.84
40	1201290400	PAN HD SCREW	VIS A TETE BOMBEE	1	\$1.55
41	1201290410	WIRE RING	BAGUE DE FIL	1	\$2.24
43	1201290430	WIRE PROTECTOR	PROTEGE CORDON	1	\$1.84
44	1201290440	POWER CORD	CORDON D'ALIMENTATION	1	\$22.94
45	1201290450	SPRING HANDLE BRACKET	SUPPORT DU RESSORT	1	\$3.28
45-1	1201290451	SPRING HANDLE BRACKET	SUPPORT DU RESSORT	1	\$3.39
46	1201290460	SPRING ADJUSTING SCREW	VIS D'AJUSTEMENT DU RESSORT	1	\$3.28
47	1201290470	SPRING	RESSORT	1	\$14.89
49	1201290490	MITERING VISE PLATE	MACHOIRE D'ETAU/ONGLETS	1	\$57.44
50	1201290500	HEX. BOLT	BOULON HEXAGONAL	4	\$1.73
51	1201290510	WASHER	RONDELLE	3	\$1.73
52	1201290520	HEX. BOLT	BOULON HEXAGONAL	1	\$1.90
53	1201290530	HEX. BOLT	BOULON HEXAGONAL	1	\$2.24
54	1201290540	PIVOT	PIVOT	1	\$57.44
55	1201290550	VERTICAL SAW TABLE ASSEMBLY	TABLE VERTICALE ASSEMBLEE	1	\$68.94
55-1	1201290551	COUNTERSUNK HD SCREW	VIS A TETE FRAISEE	1	\$2.24
55-2	1201290552	VERTICAL TABLE	TABLE VERTICALE	1	\$56.29
55-3	1201290553	TABLE SUPPORTING PLATE	SUPPORT DE TABLE	1	\$7.99
55-4	1201290554	HEX. NUT	ECROU HEXAGONAL	1	\$1.55
58	1201290580	LOCK KNOB	BOUTON DE SERRAGE	1	\$3.74
59	1201290590	SAFETY COVER	COUVERCLE DE SECURITE	1	\$80.44
59-1	1201290591	WASHER	RONDELLE	2	\$1.55
59-2	1201290592	PAN HD SCREW	VIS A TETE BOMBEE	2	\$1.61

Pricing subject to change without prior notice. / Prix sujet à changement sans préavis.



## Parts Pricing List / Liste de Prix des Pièces

# KC-129C

Diag.	Order # Com.	English Description	Description Française	Qty./Qté.	Price/Prix
61	1201290610	SET SCREW	VIS SANS SANS TETE	1	\$2.01
66	1201290660	LOCK KNOB	BOUTON DE SERRAGE	1	\$8.45
67	1201290670	SPRING WASHER	RONDELLE A RESSORT	2	\$1.50
69	1201290690	HEX. BOLT	BOULON HEXAGONAL	1	\$2.07
71	1201290710	FRONT BLADE WHEEL	VOLANT DE LAME AVANT	1	\$68.94
71-1	1201290711	SET SCREW	VIS SANS TETE	1	\$1.67
72	1201290720	BEARING COVER	COUVERCLE DE ROULEMENT	2	\$7.53
73	1201290730	KEY	CLE DE RETENUE	1	\$2.01
74	1201290740	KEY	CLE DE RETENUE	1	\$2.13
75	1201290750	SPEC. HEX. BOLT W/SPRING WASHER	BOULON HEX. SPEC. A/RONDELLE RES.	4	\$2.01
76-1	1201290761	SWITCH CUT OFF TIP	PLAQUE D'INTERRUPTION	1	\$2.59
76-2	1201290762	WASHER	RONDELLE	1	\$1.55
76-3	1201290763	SPEC. HEX. BOLT W/SPRING WASHER	BOULON HEX. SPEC. A/RONDELLE RES.	1	\$2.01
77	1201290770	REAR BLADE WHEEL ASSEMBLY	ROUE DE LAME ARRIERE ASS.	1	\$91.94
77-1	1201290771	REAR BLADE WHEEL	VOLANT DE LAME ARRIERE	1	\$80.44
77-2	1201290772	BLADE WHEEL BLOCK/SHAFT ASS.	TIGE ET BLOC DE LA ROUE ASS.	1	\$28.69
77-5	1201290775	BUSHING	BAGUE	1	\$3.39
79	1201290790	BLADE TENSION KNOB	BOUTON DE TENSION	1	\$11.44
80	1201290800	SPRING	RESSORT	1	\$3.28
81	1201290810	BODY FRAME	CORPS	1	\$327.75
83	1201290830	HEX. BOLT	BOULON HEXAGONAL	2	\$2.24
84	1201290840	MOTOR MOUNT PLATE	PLAQUE DU MOTEUR	1	\$32.14
85	1201290850	MOTOR	MOTEUR	1	\$286.35
86	1201290860	MOTOR PULLEY	POULIE DU MOTEUR	1	\$57.44
86-1	1201290861	SET SCREW	VIS SANS TETE	1	\$1.67
89	1201290890	OIL SEAL	JOINT D'ETANCHEITE	1	\$14.66
90	1201290900	TRANSMISSION SHAFT ASSEMBLY	TIGE DE TRANSMISSION ASSEMBLEE	1	\$103.44
90-1	1201290901	TRANSMISSION SHAFT	TIGE DE TRANSMISSION	1	\$22.94
90-2	1201290902	WORM GEAR	PIGNON	1	\$57.44
90-3	1201290903	PIN	GOUPILLE	1	\$1.78
90-4	1201290904	KEY	CLE DE RETENUE	1	\$2.01
90-5	1201290905	BALL BEARING	ROULEMENT A BILLES	2	\$11.44
90-6	1201290906	BUSHING	BAGUE	1	\$1.78
90-7	1201290907	OIL SEAL	JOINT D'ETANCHEITE	1	\$14.66
91	1201290910	HEX. NUT	ECROU HEXAGONAL	2	\$1.55
92	1201290920	GEAR BOX GASKET	JOINT DU BOITIER D'ENGRENAGE	1	\$6.73
93	1201290930	GEAR BOX COVER	COUVERCLE DU BOITIER D'ENG.	1	\$14.89
94	1201290940	WORM GEAR SHAFT ASS.	TIGE DU PIGNON ASSEMBLEE	1	\$97.69
94-1	1201290941	WORM GEAR SHAFT	TIGE DU PIGNON	1	\$57.44
94-2	1201290942	BALL BEARING	ROULEMENT A BILLES	2	\$11.44
94-3	1201290943	BEARING BUSHING	BAGUE DE ROULEMENT	1	\$9.14
98	1201290980	KNOB	BOUTON	1	\$4.54
99	1201290990	WASHER	RONDELLE	8	\$1.73
100	1201291000	COUNTERSUNK HD SCREW	VIS A TETE FRAISEE	6	\$1.55
101	1201291010	WORM GEAR PULLEY	POULIE DU PIGNON	1	\$68.94
101-1	1201291011	SET SCREW	VIS SANS TETE	1	\$2.13
103-1	1201291031	SHAFT BLOCK	BLOC DE LA TIGE	1	\$8.80

Pricing subject to change without prior notice. / Prix sujet à changement sans préavis.



## Parts Pricing List / Liste de Prix des Pièces

# KC-129C

Diag.	Order # Com.	English Description	Description Française	Qty./Qté.	Price/Prix
103-2	1201291032	TENSION SLIDING PLATE	PLAQUE DE GLISSEMENT	1	\$20.64
103-3	1201291033	SET SCREW	VIS SANS TETE	1	\$2.01
103-4	1201291034	WASHER	RONDELLE	1	\$1.73
103-5	1201291035	HEX. BOLT	BOULON HEXAGONAL	1	\$2.01
104	1201291040	HEX. BOLT	BOULON HEXAGONAL	1	\$1.90
109	1201291090	TENSION SLIDING GUIDE	GUIDES DE TENSION	2	\$5.58
111	1201291110	COMPLETE PULLY COVER	COUVERCLE DES POULIES COMP.	1	\$103.44
112	1201291120	V-BELT	COURROIE EN "V"	1	\$10.29
113	KBB-155	BLADE	LAME	1	-
116	1201291160	WASHER	RONDELLE	2	\$1.55
118	1201291180	HEX. BOLT	BOULON HEXAGONAL	2	\$1.55
120	1201291200	BUSHING	BAGUE	2	\$4.54
122	1201291220	HEX. NUT	ECROU HEXAGONAL	1	\$1.67
123	1201291230	HEX. BOLT	BOULON HEXAGONAL	1	\$1.73
132	1201291320	SAFETY GUARD (RIGHT)	PROTECTEUR DROIT	1	\$14.89
133	1201291330	SAFETY GUARD (LEFT)	PROTECTEUR GAUCHE	1	\$14.89
134	1201291340	PAN HD SCREW	VIS A TETE BOMBEE	2	\$1.50
155	1201291550	HEX. NUT	ECROU HEXAGONAL	1	\$1.55
156	1201291560	PAN HD SCREW	VIS A TETE BOMBEE	1	\$1.67
157	1201291570	STAR WASHER	RONDELLE ETOILEE	2	\$1.73
158	1201291580	HEX. NUT	ECROU HEXAGONAL	1	\$1.55
159	1201291590	COUNTERSUNK HD SCREW	VIS A TETE FRAISEE	1	\$1.55
187	1201291870	WASHER	RONDELLE	1	\$1.55
188	1201291880	HEX. NUT	ECROU HEXAGONAL	1	\$1.55
189	1201291890	WASHER	RONDELLE	1	\$1.55
198	1201291980	RETAINING RING/SHAFT	ANNEAU DE RETENU/TIGE	1	\$1.55
203	1201292030	TOGGLE SWITCH ASSEMBLY	INTERRUPTEUR A BASCULE ASS.	1	\$68.94
203-1	1201292031	TOGGLE SWITCH	INTERRUPTEUR A BASCULE	1	\$22.94
203-2	1201292032	SWITCH COVER	COUVRE-INTERRUPTEUR	1	\$11.44
203-3	1201292033	SWITCH INDICATOR	INDICATEUR DE L'INTERRUPTEUR	1	\$2.59
203-4	1201292034	SPECIAL HEX. NUT	ECROU HEXAGONAL SPECIAL	2	\$2.47
203-6	1201292036	PAN HD SCREW	VIS A TETE BOMBEE	2	\$1.67
203-7	1201292037	ELECTRIC CORD BOX	BOITIER DU CORDON ELECTRIQUE	1	\$4.54
207	1201292070	PIN	GOUPILLE	1	\$6.84
208	1201292080	LOCK KNOB	BOUTON DE SERRAGE	1	\$3.74
209	1201292090	LOCKING LEVER	LEVIER DE VERROUILLAGE	1	\$5.69
210	1201292100	HEX. BOLT	BOULON HEXAGONAL	1	\$1.55
211	1201292110	HEX. BOLT	BOULON HEXAGONAL	1	\$1.67
211-1	1201292111	WASHER	RONDELLE	1	\$1.55
212	1201292120	HEX. BOLT	BOULON HEXAGONAL	2	\$1.90
214	1201292140	HEX. BOLT	BOULON HEXAGONAL	4	\$2.01
215	1201292150	HEX. NUT	ECROU HEXAGONAL	1	\$1.73
230	1201292300	STAND ASSEMBLY	SUPPORT ASSEMBLE	1	\$224.25
231	1201292310	TOP CROSS BRACE	SUPPORT DU RENFORT DU HAUT	2	\$40.19
232	1201292320	STAND LEG	JAMBE DU SUPPORT	4	\$34.44
233	1201292330	SHORT BOTTOM BRACKET	SUPPORT DU BAS COURTE	2	\$22.94
234	1201292340	LONG BOTTOM BRACKET	SUPPORT DU BAS LONGUE	2	\$28.69

Pricing subject to change without prior notice. / Prix sujet à changement sans préavis.



## Parts Pricing List / Liste de Prix des Pièces

# KC-129C

Diag.	Order # Com.	English Description	Description Française	Qty./Qté.	Price/Prix
235	1201292350	CARRIAGE BOLT	BOULON DE CARROSSERIE	16	\$1.84
236	1201292360	WASHER	RONDELLE	16	\$1.73
237	1201292370	HEX. NUT	ECROU HEXAGONAL	16	\$1.55
238	1201292380	HEX. BOLT	BOULON HEXAGONAL	6	\$1.90
239	1201292390	WASHER	RONDELLE	12	\$1.73
240	1201292400	HEX. NUT	ECROU HEXAGONAL	6	\$1.55
241	1201292410	RUBBER FOOT	PIED EN CAOUTCHOUC	4	\$5.69
242	1201292420	WHEEL SHAFT	TIGE DE ROUE	1	\$45.94
243	1201292430	WHEEL	ROUE	2	\$17.19
244	1201292440	WASHER	RONDELLE	4	\$2.93
245	1201292450	COTTER PIN	GOUPILLE FENDUE	2	\$2.24
300	1201293000	REAR BLADE GUIDE ASS'Y	GUIDE DE LAME ARRIERE ASSEMBLE	1	\$91.83
301	1201293010	BEARING ADJ. BRACKET (REAR)	SUPPORT AJUSTABLE/ROUE (ARR.)	1	\$26.28
302	1201293020	BEARING SHAFT	TIGE DE ROULEMENT	1	\$4.20
303	1201293030	RIGHT PIVOT GUIDE	TIGE DU GUIDE DROIT	1	\$4.20
304	1201293040	RETAINING RING/SHAFT	ANNEAU DE RETENU/TIGE	2	\$1.50
305	1201293050	BALL BEARING	ROULEMENT A BILLES	6	\$12.59
306	1201293060	BEARING PIN	GOUPILLE DE ROULEMENT	1	\$5.46
307	1201293070	HEX. NUT	ECROU HEXAGONAL	2	\$1.61
308	1201293080	SPRING WASHER	RONDELLE A RESSORT	2	\$1.55
309	1201293090	DEFLECTOR PLATE	PLAQUE DU DEFLECTEUR	1	\$6.15
310	1201293100	COUNTERSUNK HD SCREW	VIS A TETE FRAISEE	2	\$2.24
311	1201293110	RIGHT ADJUSTABLE BRACKET	SUPPORT REGLABLE DROIT	1	\$18.34
312	1201293120	HEX. BOLT	BOULON HEXAGONAL	1	\$1.90
313	1201293130	SPRING WASHER	RONDELLE A RESSORT	1	\$1.67
314	1201293140	WASHER	RONDELLE	1	\$1.73
350	1201293500	FRONT BLADE GUIDE ASS'Y	GUIDE DE LAME AVANT ASSEMBLE	1	\$97.58
351	1201293510	BEARING ADJ. BRACKET (FRONT)	SUPPORT AJUSTABLE/ROULE. (AV.)	1	\$26.28
352	1201293520	BEARING SHAFT	TIGE DE ROULEMENT	1	\$4.20
353	1201293530	RIGHT PIVOT GUIDE	TIGE DU GUIDE DROIT	1	\$4.20
354	1201293540	RETANING RING/SHAFT	ANNEAU DE RETENU/TIGE	2	\$1.50
355	1201293550	BEARING PIN	GOUPILLE	1	\$3.85
356	1201293560	HEX. NUT	ECROU HEXAGONAL	2	\$1.61
357	1201293570	SPRING WASHER	RONDELLE A RESSORT	2	\$1.55
358	1201293580	LEFT ADJUSTABLE BRACKET	SUPPORT ADJUST. GAUCHE	1	\$22.94
359	1201293590	HEX. BOLT	BOULON HEXAGONAL	1	\$1.90
360	1201293600	SPRING WASHER	RONDELLE A RESSORT	1	\$1.67
361	1201293610	WASHER	RONDELLE	1	\$1.73
	120129MBIL	BILINGUAL MANUAL KC-129C	MANUEL BILINGUE KC-129C	1	\$15.00

Pricing subject to change without prior notice. / Prix sujet à changement sans préavis.



## Free Manuals Download Website

<http://myh66.com>

<http://usermanuals.us>

<http://www.somanuals.com>

<http://www.4manuals.cc>

<http://www.manual-lib.com>

<http://www.404manual.com>

<http://www.luxmanual.com>

<http://aubethermostatmanual.com>

Golf course search by state

<http://golfingnear.com>

Email search by domain

<http://emailbydomain.com>

Auto manuals search

<http://auto.somanuals.com>

TV manuals search

<http://tv.somanuals.com>