



Service Manual / Manuel de Service

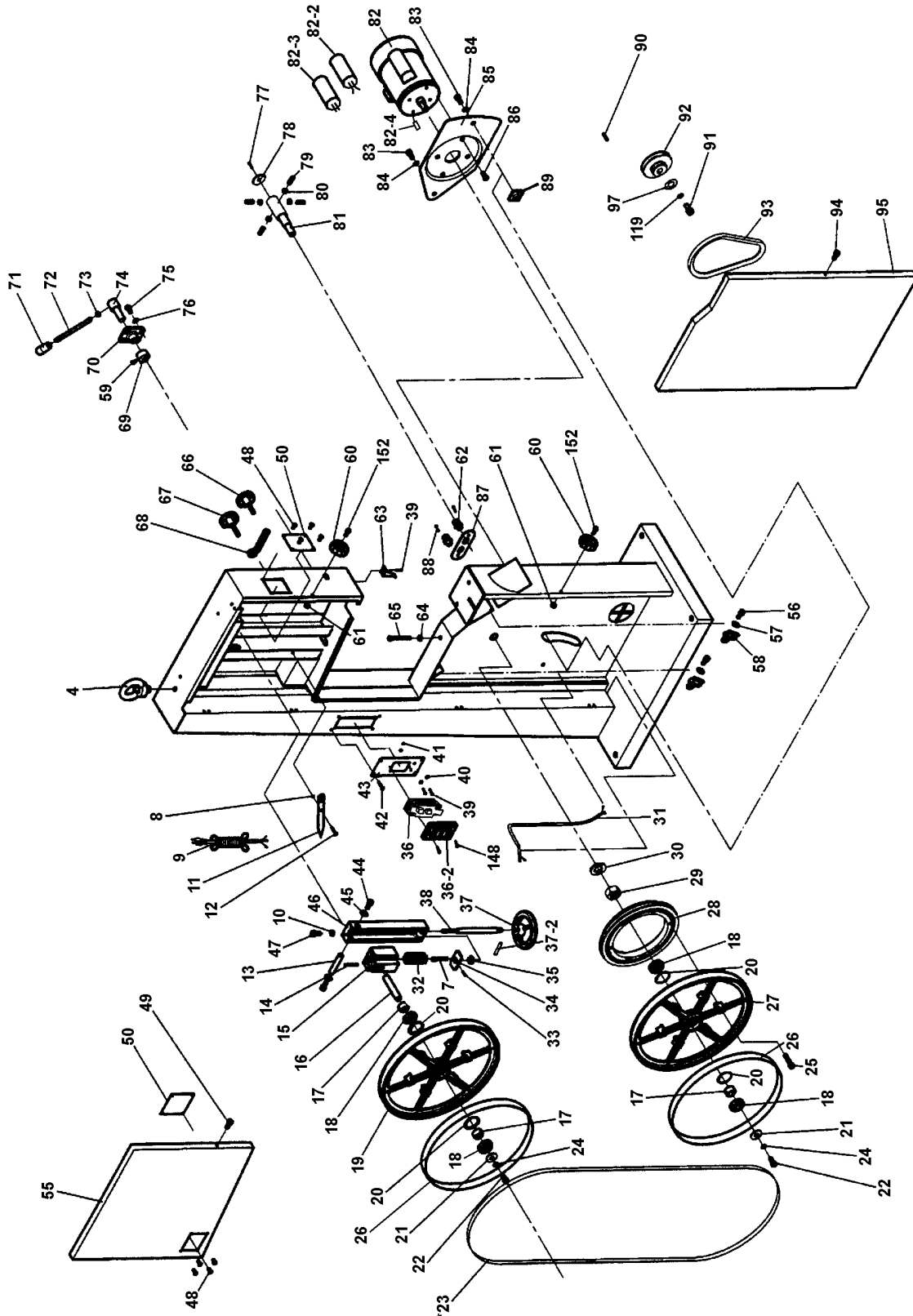
21" Wood Bandsaw Scie à Ruban pour Bois 21"



Revised/Revisé 08/2008

Main Diagram / Diagramme Principale

KC-2102C





Service Manual / Manuel de Service

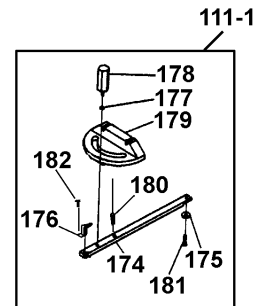
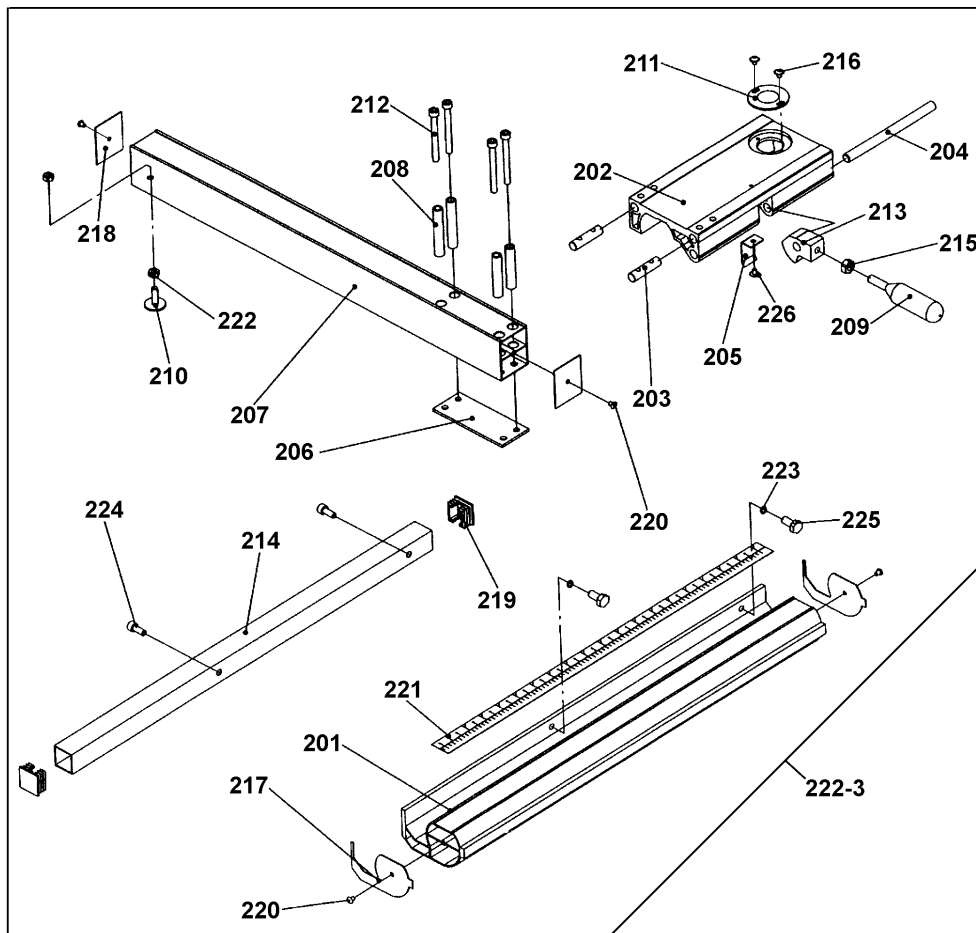
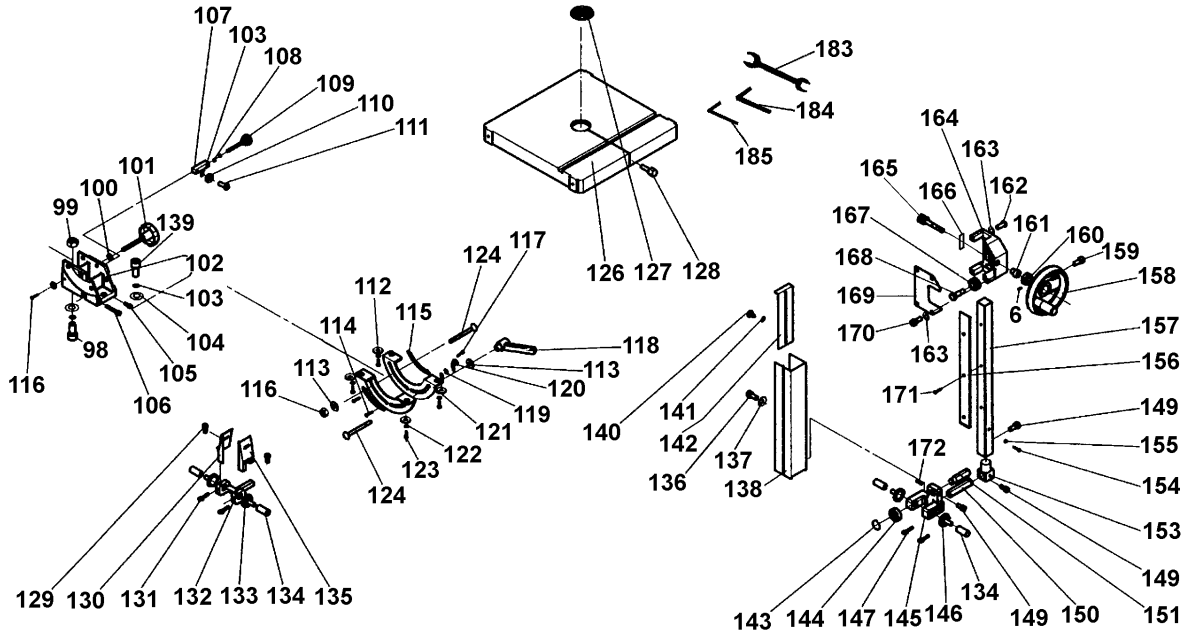
21" Wood Bandsaw Scie à Ruban pour Bois 21"



Revised/Revisé 08/2008

Table & Fence Diagram / Diagramme de la Table et du Guide

KC-2102C





Parts Pricing List / Liste de Prix des Pièces **KC-2102C**

Diag.	Order # Com.	English Description	Description Française	Qty./Qté.	Price/Prix
4	1321020040	LIFTING HOOK	CROCHET DE LEVAGE	1	\$6.73
6	1321020060	SET SCREW	VIS SANS TETE	1	\$1.55
7	1321020070	BUSHING	BAGUE	1	\$4.43
8	1321020080	WASHER	RONDELLE	1	\$1.55
9	1321020090	POWER CORD	CORDON D'ALIMENTATION	1	\$32.03
10	1321020100	HEX. NUT	ECROU HEXAGONAL	1	\$1.61
11	1321020110	POINTER	INDICATEUR	1	\$3.85
12	1321020120	SHOULDER SCREW	VIS A EPAULEMENT	1	\$2.59
13	1321020130	UPPER SHAFT	TIGE SUPERIEURE	1	\$6.04
14	1321020140	SPRING PIN	GOUPILLE A RESSORT	1	\$1.67
15	1321020150	UPPER WHEEL SHAFT HINGE	CHARNIERE DE LA TIGE	1	\$20.53
16	1321020160	UPPER WHEEL SHAFT	TIGE DE LA ROUE	1	\$9.60
17	1321020170	BUSHING	BAGUE	3	\$4.89
18	1321020180	BALL BEARING	ROULEMENT A BILLES	4	\$22.94
19	1321020190	UPPER WHEEL	ROUE DU HAUT	1	\$148.35
20	1321020200	RETAINING RING/BORE	ANNEAU DE RETENU/ALESAGE	4	\$3.16
21	1321020210	WASHER	RONDELLE	2	\$2.13
22	1321020220	CAP SCREW	BOULON A TETE CYLINDRIQUE	2	\$1.73
23	KBB-21**	BLADE	LAME	1	-
24	1321020240	SPRING WASHER	RONDELLE A RESSORT	2	\$1.67
25	1321020250	CAP SCREW	BOULON A TETE CYLINDRIQUE	6	\$2.76
26	1321020260	WHEEL PROTECTOR	PROTECTEUR DE ROUE	2	\$22.94
27	1321020270	LOWER WHEEL	ROUE DU BAS	1	\$281.75
28	1321020280	IDLE PULLEY	POULIE LIBRE	1	\$64.00
29	1321020290	HEX. NUT	ECROU HEXAGONAL	1	\$5.58
30	1321020300	SPRING WASHER	RONDELLE A RESSORT	1	\$2.70
31	1321020310	MOTOR CORD	CORDON DU MOTEUR	1	\$13.28
32	1321020320	SPRING	RESSORT	1	\$9.83
33	1321020330	SPRING PIN	GOUPILLE A RESSORT	1	\$2.01
34	1321020340	LOCATING PLATE	PLAQUE DE LOCALISATION	1	\$4.43
35	1321020350	THRUST BEARING	ROULEMENT A BUTEE	1	\$22.83
36	1321020360	LRG. BUTTON START-STOP SWITCH	INTERRUPTEUR A BOUTON LARGE	1	\$34.44
36-2	1321020362	SQ. BUTTON (LRG.) SWITCH COVER	PLAQUE D'INTERRUPTEUR	1	\$18.34
37	1321020370	TENSION HANDWHEEL	MANIVELLE DE TENSION	1	\$21.79
37-2	1321020372	SET SCREW	VIS SANS TETE	1	\$1.55
38	1321020380	ADJUSTING BOLT	BOULON D'AJUSTEMENT	1	\$25.13
39	1321020390	FLANGE HD. SCREW	VIS A TETE BRIDEE	3	\$1.67
40	1321020400	TOOTH WASHER	RONDELLE DENTELEE	4	\$1.67
41	1321020410	HEX. NUT	ECROU HEXAGONAL	2	\$1.55
42	1321020420	FLANGE HD. SCREW	VIS A TETE BRIDEE	4	\$1.67
43	1321020430	METAL SWITCH PLATE	PLAQUE EN METAL POUR L'INTERR.	1	\$6.73
44	1321020440	CAP SCREW	BOULON A TETE CYLINDRIQUE	2	\$1.78
45	1321020450	WASHER	RONDELLE	2	\$1.61
46	1321020460	UPPER WHEEL SLIDING BRACKET	SUPPORT COULISSANT POUR ROUE	1	\$27.54
47	1321020470	CAP SCREW	BOULON A TETE CYLINDRIQUE	1	\$2.76
48	1321020480	RIVET	RIVET	8	\$1.55
49	1321020490	CAP SCREW	BOULON A TETE CYLINDRIQUE	1	\$2.24

Pricing subject to change without prior notice. / Prix sujet à changement sans préavis.



Parts Pricing List / Liste de Prix des Pièces **KC-2102C**

Diag.	Order # Com.	English Description	Description Française	Qty./Qté.	Price/Prix
50	1321020500	TENSION WINDOW	FENETRE DE VISUALISATION	2	\$3.85
55	1321020550	UPPER WHEEL DOOR	PORTE DU HAUT	1	\$101.20
56	1321020560	CAP SCREW	BOULON A TETE CYLINDRIQUE	2	\$2.70
57	1321020570	WASHER	RONDELLE	2	\$1.55
58	1321020580	BRUSH	BROSSE	2	\$5.58
59	1321020590	CAP SCREW	BOULON A TETE CYLINDRIQUE	1	\$2.70
60	1321020600	LOCK DOOR KNOB	BOUTON DE VERROUILLAGE	2	\$4.43
61	1321020610	NYLON HEX. NUT	ECROU HEXAGONAL AVEC NYLON	2	\$2.13
62	1321020620	STRAIN RELIEF (M16 HOLE)	ATTACHE CORDON (TROU 16MM)	2	\$2.59
63	1321020630	HEIGHT POINTER	INDICATEUR DE HAUTEUR	1	\$2.82
64	1321020640	HEX. NUT	ECROU HEXAGONAL	1	\$1.61
65	1321020650	HEX. BOLT	BOULON HEXAGONAL	1	\$3.74
66	1321020660	SCREW KNOB	BOUTON DE SERRAGE	1	\$4.31
67	1321020670	SCREW KNOB	BOUTON DE SERRAGE	1	\$5.00
68	1321020680	LOCK HANDLE	POIGNEE DE VERROUILLAGE	1	\$4.54
69	1321020690	CAM	CAME	1	\$5.69
70	1321020700	HOLDER BRACKET	SUPPORT DE RETENUE	1	\$21.68
71	1321020710	LEVER ROD KNOB	BOUTON DU LEVIER	1	\$4.54
72	1321020720	LEVER ROD	TIGE DE LEVIER	1	\$4.43
73	1321020730	HEX. NUT	ECROU HEXAGONAL	1	\$1.78
74	1321020740	SHAFT	TIGE	1	\$15.93
75	1321020750	PAN HD. ALLEN SCREW	VIS TETE BOMBEE A DOUILLE HEX.	4	\$2.13
76	1321020760	SPRING WASHER	RONDELLE A RESSORT	4	\$1.67
77	1321020770	FLANGE HD. SCREW	VIS A TETE BRIDEE	1	\$1.67
78	1321020780	LARGE WASHER	RONDELLE LARGE	1	\$3.05
79	1321020790	SET SCREW	VIS SANS TETE	4	\$2.01
80	1321020800	HEX. NUT	ECROU HEXAGONAL	4	\$1.61
81	1321020810	LOWER WHEEL SHAFT	TIGE DE LA ROUE DU BAS	1	\$38.93
82	1321020820	MOTOR	MOTEUR	1	\$516.35
82-2	1321020822	STARTING CAPACITOR	CONDENSATEUR DE DEMARRAGE	1	\$38.93
82-3	1321020823	RUNNING CAPACITOR	CONDENSATEUR D'OPERATION	1	\$25.13
82-4	1321020824	KEY	CLE DE RETENUE	1	\$2.13
83	1321020830	CAP SCREW	BOULON A TETE CYLINDRIQUE	2	\$1.96
84	1321020840	SPRING WASHER	RONDELLE A RESSORT	2	\$1.55
85	1321020850	MOTOR BRACKET	SUPPORT DU MOTEUR	1	\$32.95
86	1321020860	PAN HD. ALLEN SCREW	VIS A TETE BOMBEE A DOUILLE HEX.	4	\$2.13
87	1321020870	ELECTRICAL PLATE	PLAQUE ELECTRIQUE	1	\$3.28
88	1321020880	FLANGE HD. SCREW	VIS A TETE BRIDEE	2	\$1.67
89	1321020890	ADJUSTING BRACKET	SUPPORT POUR AJUSTEMENT	1	\$3.28
90	1321020900	KEY	CLE DE RETENUE	1	\$2.24
91	1321020910	HEX. BOLT (LEFT)	BOULON HEXAGONAL (GAUCHE)	1	\$2.70
92	1321020920	MOTOR PULLEY	POULIE DU MOTEUR	1	\$22.83
93	1321020930	V-BELT	COURROIE EN V	1	\$14.89
94	1321020940	CAP SCREW	BOULON A TETE CYLINDRIQUE	1	\$2.24
95	1321020950	LOWER WHEEL DOOR	PORTE DU BAS	1	\$136.85
97	1321020970	SPECIAL FLAT WASHER	RONDELLE SPECIALE	1	\$2.13
98	1321020980	CAP SCREW	BOULON A TETE CYLINDRIQUE	1	\$2.24

Pricing subject to change without prior notice. / Prix sujet à changement sans préavis.



Parts Pricing List / Liste de Prix des Pièces **KC-2102C**

Diag.	Order # Com.	English Description	Description Française	Qty./Qté.	Price/Prix
99	1321020990	HEX. NUT	ECROU HEXAGONAL	1	\$1.73
100	1321021000	GEAR (SMALL)	ENGRENAGE (PETITE)	2	\$4.43
101	1321021010	LOCK KNOB	BOUTON DE VERROUILLAGE	1	\$10.75
102	1321021020	TRUNNION SUPPORT BRACKET	SUPPORT DU TOURILLON	1	\$33.75
103	1321021030	SPRING WASHER	RONDELLE A RESSORT	3	\$1.55
104	1321021040	WASHER	RONDELLE	2	\$1.55
105	1321021050	CAP SCREW	BOULON A TETE CYLINDRIQUE	1	\$2.47
106	1321021060	CAP SCREW	BOULON A TETE CYLINDRIQUE	1	\$2.93
107	1321021070	ADJUSTING BRACKET	SUPPORT D'AJUSTEMENT	1	\$6.84
108	1321021080	HEX. NUT	ECROU HEXAGONAL	2	\$1.61
109	1321021090	ADJUSTING BOLT	BOULON D'AJUSTEMENT	1	\$3.74
110	1321021100	BALL BEARING	ROULEMENT A BILLES	1	\$12.59
111	1321021110	PAN HD. ALLEN SCREW	VIS A TETE BOMBEE A DOUILLE HEX.	1	\$2.47
111-1	1321021111	COMPLETE MITER GAUGE ASS'Y	GUIDE A ONGLET COMPLET ASS.	1	\$41.34
112	1321021120	WASHER	RONDELLE	4	\$1.61
113	1321021130	WASHER	RONDELLE	2	\$1.61
114	1321021140	PAN HD. SCREW	VIS A TETE BOMBEE	4	\$1.55
115	1321021150	GEAR PLATE	ENGRENAGE PLAT	2	\$5.58
116	1321021160	NYLON HEX. NUT	ECROU HEXAGONAL AVEC NYLON	1	\$1.67
117	1321021170	PAN HD. SCREW	VIS A TETE BOMBEE	1	\$1.55
118	1321021180	HANDLE	POIGNEE	1	\$9.60
119	1321021190	WASHER	RONDELLE	2	\$1.55
120	1321021200	POINTER	INDICATEUR	1	\$2.01
121	1321021210	TRUNNION PLATE	PLAQUE DU TOURILLON	2	\$10.75
122	1321021220	SPRING WASHER	RONDELLE A RESSORT	4	\$1.67
123	1321021230	HEX. BOLT	BOULON HEXAGONAL	4	\$1.67
124	1321021240	CARRIAGE BOLT	BOULON DE CARROSSERIE	2	\$2.82
126	1321021260	TABLE	TABLE	1	\$297.85
127	1321021270	TABLE INSERT	INSERTION DE TABLE	1	\$4.20
128	1321021280	TABLE PIN	GOUPILLE DE LA TABLE	1	\$3.85
129	1321021290	CAP SCREW	BOULON A TETE CYLINDRIQUE	2	\$1.67
130	1321021300	LEFT COVER	COUVERCLE GAUCHE	1	\$4.31
131	1321021310	THUMB SCREW	VIS A AILLETES	4	\$2.70
132	1321021320	LOWER BLADE GUIDE SUPPORT	SUPPORT DE GUIDE DE LAME	1	\$10.75
133	1321021330	GUIDE BLADE	GUIDE DE LAME	2	\$4.20
134	1321021340	BLADE GUIDE BUSHING	BAGUE DU GUIDE DE LAME	4	\$4.54
135	1321021350	RIGHT COVER	COUVERCLE DROIT	1	\$4.31
136	1321021360	CAP SCREW	BOULON A TETE CYLINDRIQUE	2	\$1.78
137	1321021370	FLAT WASHER	RONDELLE	2	\$1.55
138	1321021380	PROTECT COVER	COUVERCLE DE SECURITE	1	\$36.74
139	1321021390	CAP SCREW	BOULON A TETE CYLINDRIQUE	1	\$2.24
140	1321021400	SHOULDER SCREW	VIS AVEC EPAULEMENT	1	\$2.59
141	1321021410	PLASTIC WASHER	RONDELLE EN PLASTIQUE	1	\$1.55
142	1321021420	SLIDING PLATE	PLAQUE COULISSANTE	1	\$7.76
143	1321021430	RETAINING RING/SHAFT	ANNEAU DE RETENU/TIGE	1	\$1.55
144	1321021440	BALL BEARING	ROULEMENT A BILLES	1	\$11.44
145	1321021450	UPPER BLADE GUIDE SUPPORT	SUPPORT DE GUIDE DE LAME	1	\$16.04

Pricing subject to change without prior notice. / Prix sujet à changement sans préavis.



Parts Pricing List / Liste de Prix des Pièces **KC-2102C**

Diag.	Order # Com.	English Description	Description Française	Qty./Qté.	Price/Prix
146	1321021460	BLADE GUIDE	GUIDE DE LAME	2	\$4.20
147	1321021470	THUMB SCREW	VIS PAPILLON	2	\$2.70
148	1321021480	PAN HD. SCREW	VIS A TETE BOMBEE	2	\$1.67
149	1321021490	CAP SCREW	BOULON A TETE CYLINDRIQUE	3	\$2.24
150	1321021500	ADJUSTING BAR	BARRE D'AJUSTEMENT	1	\$4.89
151	1321021510	UPPER SPACING SLEEVE	MANCHON D'ESPACEMENT	1	\$5.35
152	1321021520	CAP SCREW	BOULON A TETE CYLINDRIQUE	2	\$2.47
153	1321021530	UPPER GUIDE SUPPORT BLOCK	BLOC SUPPPORT DU GUIDE	1	\$11.21
154	1321021540	PAN HD. SCREW	VIS A TETE BOMBEE	1	\$1.55
155	1321021550	HEX. NUT	ECROU HEXAGONAL	1	\$1.55
156	1321021560	RACK	CREMAILLERE	1	\$15.93
157	1321021570	UPPER GUIDE POST	TIGE DU GUIDE	1	\$17.19
158	1321021580	HANDWHEEL WITH HANDLE	MANIVELLE AVEC POIGNEE	1	\$45.83
159	1321021590	CAP SCREW	BOULON A TETE CYLINDRIQUE	1	\$2.70
160	1321021600	BUSHING	BAGUE	1	\$3.28
161	1321021610	SHOULDER BUSHING	BAGUE AVEC EPAULEMENT	1	\$3.28
162	1321021620	PAN HD. ALLEN SCREW	VIS TETE BOMBEE A DOUILLE HEX.	4	\$2.13
163	1321021630	SPRING WASHER	RONDELLE A RESSORT	8	\$1.67
164	1321021640	GUIDE BRACKET	SUPPORT DU GUIDE	1	\$27.43
165	1321021650	WORM GEAR SHAFT	TIGE A ENGRENAGE SANS FIN	1	\$15.81
166	1321021660	FIXED PLATE	PLAQUE DE FIXATION	1	\$3.74
167	1321021670	GEAR	ENGRENAGE	1	\$12.48
168	1321021680	SHOULDER BOLT	BOULON AVEC EPAULEMENT	1	\$3.74
169	1321021690	GUIDE BRACKET COVER	COUVERCLE DU SUPPORT DU GUIDE	1	\$4.54
170	1321021700	PAN HD. ALLEN SCREW	VIS TETE BOMBEE A DOUILLE HEX.	4	\$2.13
171	1321021710	COUNTERSUNK SCREW	VIS A TETE FRAISEE	3	\$1.67
172	1321021720	SET SCREW	VIS SANS TETE	1	\$1.67
174	1321021740	GUIDE BAR	BARRE DU GUIDE A ONGLETS	1	\$11.44
175	1321021750	GUIDE WASHER (T-SLOT)	RONDELLE GUIDE EN "T"	1	\$3.39
176	1321021760	POINTER	INDICATEUR	1	\$2.70
177	1321021770	NYLON WASHER	RONDELLE EN NYLON	1	\$2.01
178	1321021780	LOCK HANDLE	POIGNEE DE VERROUILLAGE	1	\$7.88
179	1321021790	MITER GAUGE BODY	CORPS DU GUIDE A ONGLETS	1	\$21.56
180	1321021800	STRAIGHT PIN	GOUPILLE DROITE	1	\$2.70
181	1321021810	COUNTERSUNK SCREW	VIS A TETE FRAISEE	1	\$2.24
182	1321021820	FLANGE HD. SCREW	VIS A TETE BRIDEE	1	\$1.90
183	1321021830	OPEN END KEY 10-13	CLE OUVERTE 10-13	1	\$11.21
184	1321021840	HEX. KEY M8	CLE HEXAGONALE M8	1	\$3.05
185	1321021850	HEX. KEY M5	CLE HEXAGONALE M5	1	\$2.82
201	1321022010	FIXED BASE RAIL	BARRE DE FIXATION DU GUIDE	1	\$75.15
202	1321022020	ADJUST BASE	SOCLE D'AJUSTEMENT DU GUIDE	1	\$57.33
203	1321022030	FIXED SHAFT	TIGE DE FIXATION	2	\$5.00
204	1321022040	LOCKING CLAMP SHOE SHAFT	TIGE DE VERROUILLAGE DU SABOT	1	\$6.61
205	1321022050	SPRING BLADE	LAME A RESSORT	1	\$3.74
206	1321022060	FENCE PLATE	PLAQUE DU GUIDE	1	\$4.54
207	1321022070	TUBULAR FENCE	GUIDE TUBULAIRE	1	\$61.93
208	1321022080	FENCE SLEEVE	MANCHON DU GUIDE	4	\$3.28

Pricing subject to change without prior notice. / Prix sujet à changement sans préavis.



® Parts Pricing List / Liste de Prix des Pièces **KC-2102C**

Diag.	Order # Com.	English Description	Description Française	Qty./Qté.	Price/Prix
209	1321022090	CLAMP SHOE HANDLE	POIGNEE DU SABOT DE VERR.	1	\$10.29
210	1321022100	ADJUSTABLE FOOT	PIED AJUSTABLE	1	\$3.97
211	1321022110	MAGNIFYING GLASS	LOUPE	1	\$5.35
212	1321022120	CAP SCREW	BOULON A TETE CYLINDRIQUE	4	\$3.16
213	1321022130	CLAMP SHOE	SABOT DE VERROUILLAGE	1	\$9.03
214	1321022140	SQUARE TUBE (REAR)	TUBULAIRE CARRE (ARRIERE)	1	\$20.53
215	1321022150	HEX. NUT	ECROU HEXAGONAL	1	\$1.61
216	1321022160	FLANGE HD. SCREW	VIS A TETE FRAISEE	2	\$1.67
217	1321022170	RAIL END PLATE	PLAQUE DE BOUT DE LA BARRE	2	\$5.00
218	1321022180	FENCE END PLATE	PLAQUE DE BOUT DU GUIDE	2	\$3.16
219	1321022190	PLASTIC END CAP	CAPUCHON DE BOUT EN PLASTIQUE	2	\$2.70
220	1321022200	TAPPING SCREW	VIS AUTOTARAUDEUSE	4	\$1.67
221	1321022210	MEASURING TAPE	RUBAN A MESURER	1	\$7.88
222	1321022220	HEX. NUT	ECROU HEXAGONAL	2	\$1.61
222-3	1321022223	COMP. RIP FENCE/RAILS SYSTEM	SYSTEME GUIDE A REFENDRE COM.	1	\$217.35
223	1321022230	SPRING WASHER	RONDELLE A RESSORT	2	\$1.55
224	1321022240	CAP SCREW	BOULON A TETE CYLINDRIQUE	2	\$2.24
225	1321022250	HEX. BOLT	BOULON HEXAGONAL	2	\$1.78
226	1321022260	FLANGE HD. SCREW	VIS A TETE FRAISEE	1	\$1.55
	132102MBIL	BILINGUAL MANUAL KC-2102C	MANUEL BILINGUE KC-2102C	1	\$15.00

Pricing subject to change without prior notice. / Prix sujet à changement sans préavis.

Free Manuals Download Website

<http://myh66.com>

<http://usermanuals.us>

<http://www.somanuals.com>

<http://www.4manuals.cc>

<http://www.manual-lib.com>

<http://www.404manual.com>

<http://www.luxmanual.com>

<http://aubethermostatmanual.com>

Golf course search by state

<http://golfingnear.com>

Email search by domain

<http://emailbydomain.com>

Auto manuals search

<http://auto.somanuals.com>

TV manuals search

<http://tv.somanuals.com>