



Service Manual / Manuel de Service

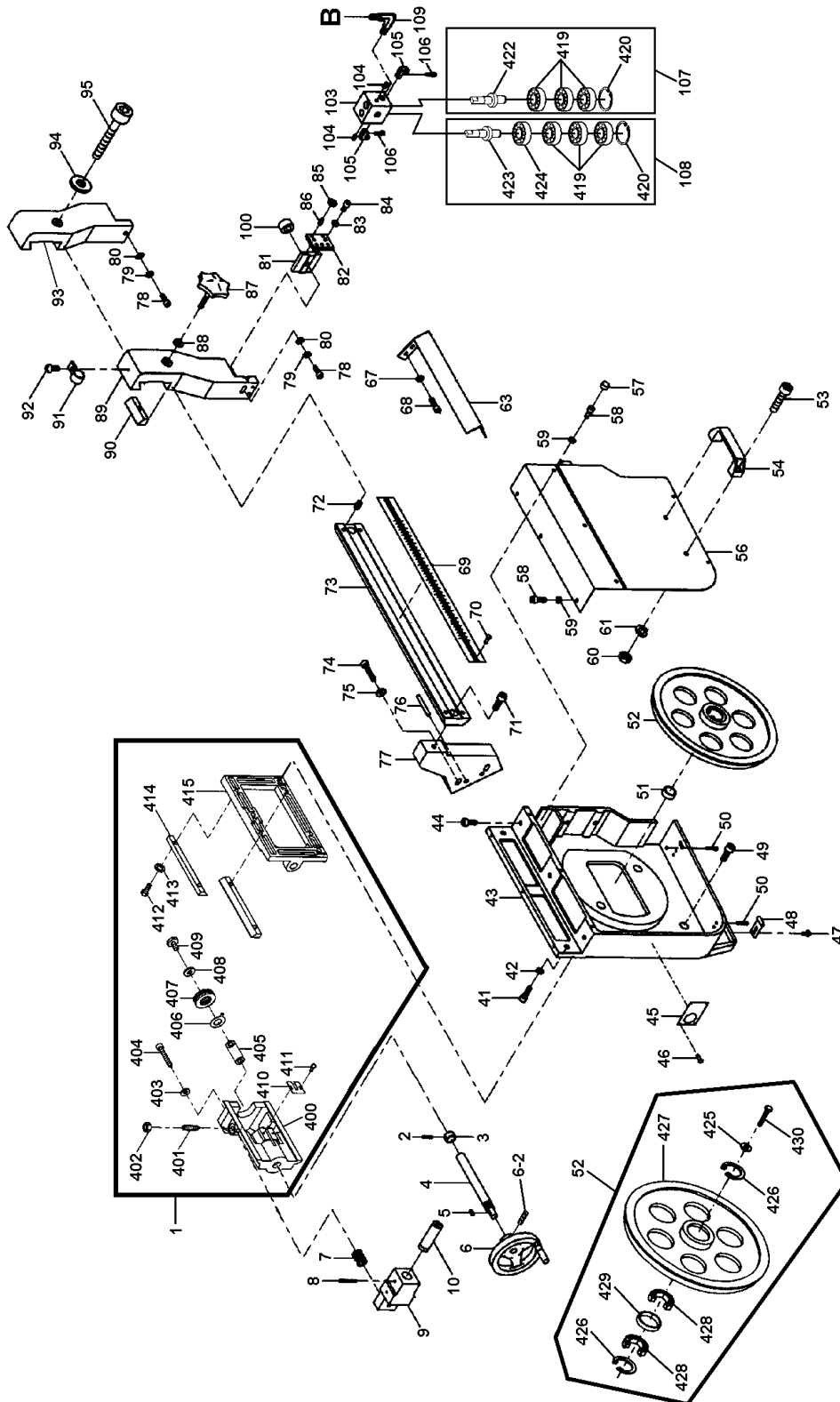
10" x 16" Metal Cutting Bandsaw Scie à Ruban pour Métal 10" x 16"



Revised/Revisé 08/2008

Head Diagram 1 / Diagramme de la Tête 1

KC-226





Service Manual / Manuel de Service

10" x 16" Metal Cutting Bandsaw

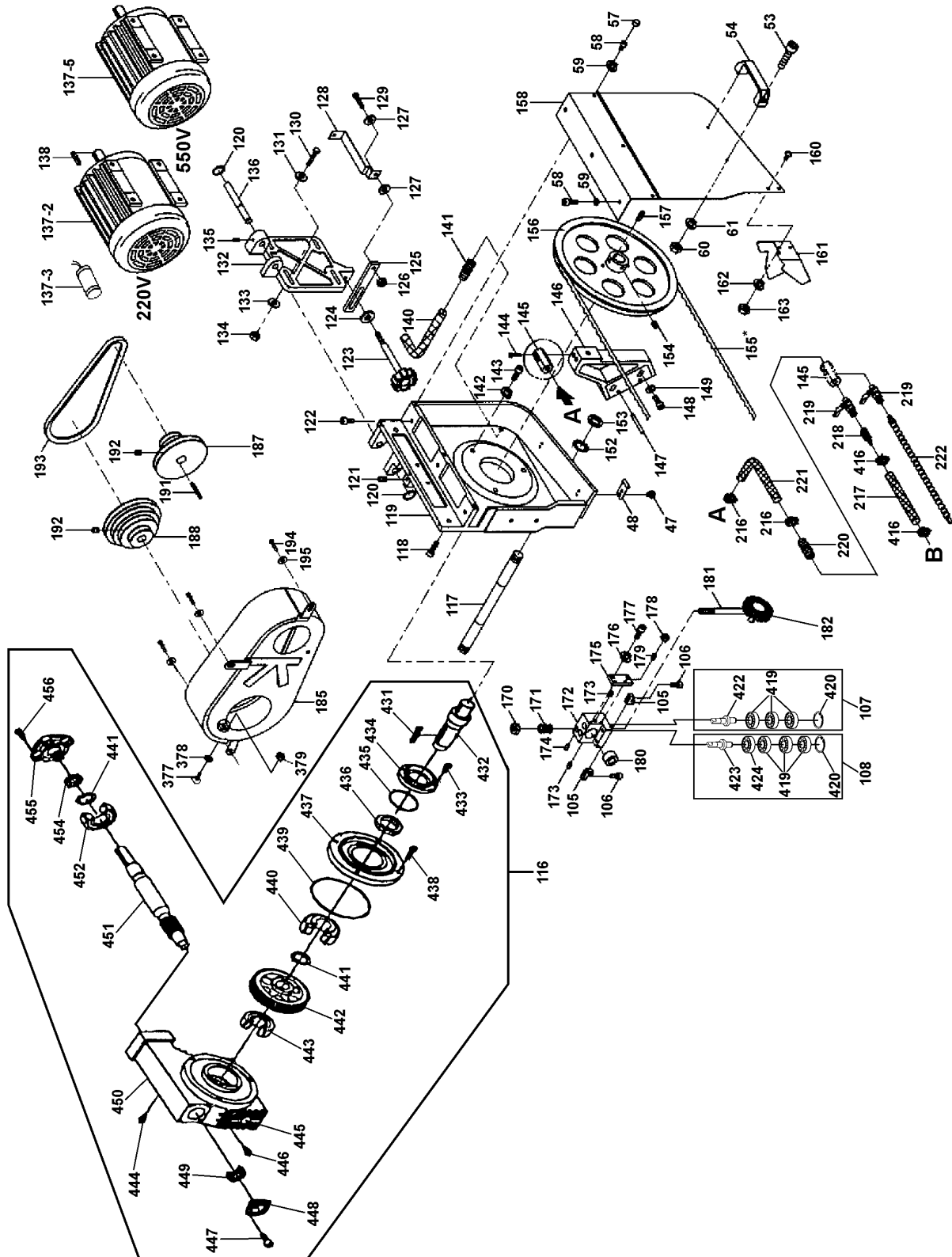
Scie à Ruban pour Métal 10" x 16"



Revised/Revisé 08/2008

Head Diagram 2 / Diagramme de la Tête 2

KC-226





Service Manual / Manuel de Service

10" x 16" Metal Cutting Bandsaw

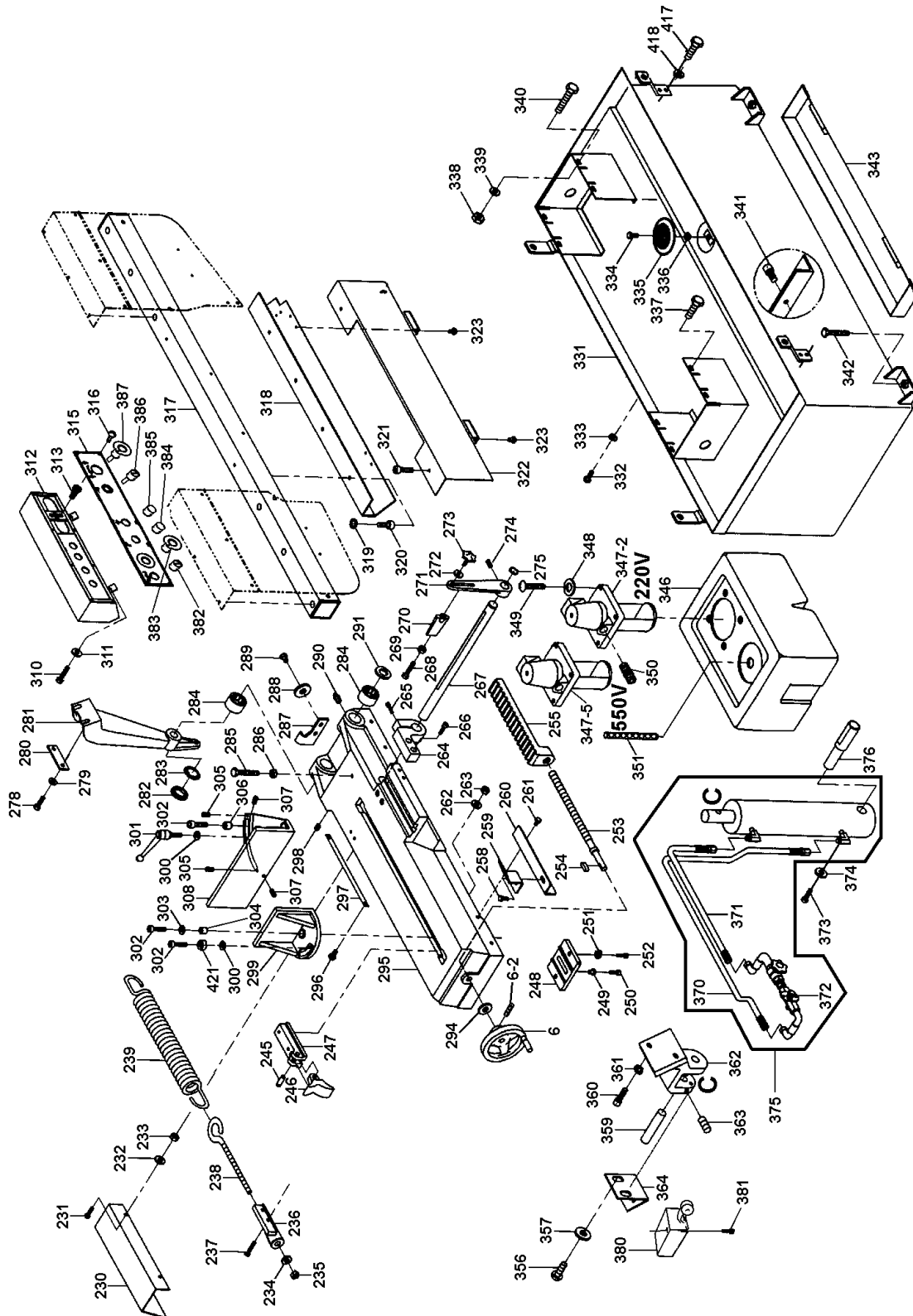
Scie à Ruban pour Métal 10" x 16"



Revised/Revisé 08/2008

Base Diagram / Diagramme de la Base

KC-226





Parts Pricing List / Liste de Prix des Pièces

KC-226

Diag.	Order # Com.	English Description	Description Française	Qty./Qté.	Price/Prix
1	1202260010	BLADE TENSION ADJUSTMENT ASS.	AJUST. POUR TENSION DE LA LAME ASS.	1	\$378.35
2	1202260020	SPRING PIN	GOUPILLE A RESSORT	1	\$1.90
3	1202260030	COLLAR	BAGUE	1	\$7.30
4	1202260040	LEAD SCREW	TIGE FILETEE	1	\$44.68
5	1202260050	KEY	CLE DE RETENUE	1	\$1.90
6	1202260060	COMPLETE HANDWHEEL	MANIVELLE COMPLETE	2	\$61.93
6-2	1202260062	SET SCREW	VIS SANS TETE	2	\$1.67
7	1202260070	SPRING	RESSORT	1	\$5.58
8	1202260080	SPRING PIN	GOUPILLE A RESSORT	1	\$2.13
9	1202260090	WHEEL SHAFT BRACKET	SUPPORT DE TIGE POUR ROUE	1	\$57.33
10	1202260100	WHEEL SHAFT	TIGE DE LA ROUE	1	\$16.04
41	1202260410	CAP SCREW	BOULON A TETE CYLINDRIQUE	2	\$2.13
42	1202260420	SPRING WASHER	RONDELLE A RESSORT	2	\$1.55
43	1202260430	IDLER WHEEL BOX	BOITIER DE LA ROUE FOLLE	1	\$424.35
44	1202260440	CAP SCREW	BOULON A TETE CYLINDRIQUE	3	\$1.78
45	1202260450	TENSION INDICATOR PLATE	PLAQUE INDICATRICE DE TENSION	1	\$8.80
46	1202260460	RIVET	RIVET	4	\$1.32
47	1202260470	PAN HD SCREW	VIS A TETE BOMBEE	4	\$1.55
48	1202260480	BRACKET PLATE	PLAQUE SUPPORT	4	\$6.84
49	1202260490	CAP SCREW	BOULON A TETE CYLINDRIQUE	3	\$2.24
50	1202260500	CAP SCREW	BOULON A TETE CYLINDRIQUE	2	\$1.90
51	1202260510	SPACER BUSHING	BAGUE D'ESPACEMENT	1	\$6.73
52	1202260520	COMPLETE IDLER WHEEL	ROUE FOLLE COMPLETE	1	\$227.70
53	1202260530	CAP SCREW	BOULON A TETE CYLINDRIQUE	4	\$1.78
54	1202260540	COVER HANDLE	POIGNEE DU COUVERCLE	2	\$14.66
56	1202260560	IDLER WHEEL COVER (LEFT)	COUVERCLE DE LA ROUE (GAUCHE)	1	\$103.33
57	1202260570	PLASTIC CAP	CAPUCHON EN PLASTIQUE	6	\$2.59
58	1202260580	CAP SCREW	BOULON A TETE CYLINDRIQUE	12	\$1.67
59	1202260590	SPRING WASHER	RONDELLE A RESSORT	12	\$1.55
60	1202260600	HEX. NUT	ECROU HEXAGONAL	4	\$1.61
61	1202260610	SPRING WASHER	RONDELLE A RESSORT	4	\$1.67
63	1202260630	BLADE GUARD	PROTEGE-LAME	1	\$30.88
67	1202260670	SPRING WASHER	RONDELLE A RESSORT	2	\$1.55
68	1202260680	CAP SCREW	BOULON A TETE CYLINDRIQUE	2	\$1.67
69	1202260690	SCALE	ECHELLE	1	\$57.44
70	1202260700	RIVET	RIVET	2	\$1.55
71	1202260710	CAP SCREW	BOULON A TETE CYLINDRIQUE	2	\$2.24
72	1202260720	SET SCREW	VIS SANS TETE	4	\$2.01
73	1202260730	ARM COLUMN	COLONNE DES BRAS	1	\$281.75
74	1202260740	CAP SCREW	BOULON A TETE CYLINDRIQUE	2	\$2.24
75	1202260750	WASHER	RONDELLE	2	\$1.67
76	1202260760	SPRING PIN	GOUPILLE A RESSORT	2	\$1.90
77	1202260770	LEFT COLUMN SUPPORT	SUPPORT DE LA COLONNE (GAUCHE)	1	\$153.93
78	1202260780	CAP SCREW	BOULON A TETE CYLINDRIQUE	2	\$3.05
79	1202260790	SPRING WASHER	RONDELLE A RESSORT	2	\$1.67
80	1202260800	WASHER	RONDELLE	2	\$1.61
81	1202260810	SUPPORT SEAT	SIEGE DU SUPPORT	1	\$34.10

Pricing subject to change without prior notice. / Prix sujet à changement sans préavis.



Parts Pricing List / Liste de Prix des Pièces

KC-226

Diag.	Order # Com.	English Description	Description Française	Qty./Qté.	Price/Prix
82	1202260820	ADJUSTABLE FIXING PLATE (LEFT)	PLAQUE DE FIXATION AJUST. (GAUCHE)	1	\$21.56
83	1202260830	SPRING WASHER	RONDELLE A RESSORT	3	\$1.55
84	1202260840	CAP SCREW	BOULON A TETE CYLINDRIQUE	3	\$2.47
85	1202260850	HEX. NUT	ECROU HEXAGONAL	4	\$1.61
86	1202260860	SET SCREW	VIS SANS TETE	4	\$2.01
87	1202260870	ARM LOCK KNOB	BOUTON DE VERROUILLAGE DU BRAS	1	\$21.79
88	1202260880	WASHER	RONDELLE	1	\$1.67
89	1202260890	BLADE GUIDE ARM (LEFT)	BRAS GUIDE DE LAME (GAUCHE)	1	\$170.20
90	1202260900	GIB	GLISSIERE	2	\$40.19
91	1202260910	HOSE CLIP	ATTACHE DE BOYAU	1	\$2.59
92	1202260920	PAN HD SCREW	VIS A TETE BOMBEE	1	\$1.55
93	1202260930	BLADE GUIDE ARM (RIGHT)	BRAS GUIDE DE LAME (DROIT)	1	\$170.20
94	1202260940	WASHER	RONDELLE	1	\$1.67
95	1202260950	CAP SCREW	BOULON A TETE CYLINDRIQUE	1	\$2.70
100	1202261000	SPACER BUSHING	BAGUE D'ESPACEMENT	1	\$5.69
103	1202261030	BEARING SHAFT BRACKET (LEFT)	SUP/TIGES DE ROULEMENTS (GAUCHE)	1	\$55.03
104	1202261040	SET SCREW	VIS SANS TETE	2	\$1.90
105	1202261050	CARBIDE BLADE GUIDE SET (2)	JEU DE GUIDE DE LAME/CARBURE (2)	4	\$45.94
106	1202261060	CAP SCREW	BOULON A TETE CYLINDRIQUE	4	\$2.01
107	1202261070	ECCENTRIC SHAFT & BEARINGS ASS.	TIGE EXCENTRIQUE/ROULEMENTS ASS.	2	\$84.93
108	1202261080	STRAIGHT SHAFT & BEARINGS ASS.	TIGE DROITE ET ROULEMENT ASS.	2	\$107.81
109	1202261090	ELBOW	COUDE	1	\$7.99
116	1202261160	COMPLETE GEAR BOX ASS'Y	BOITIER D'ENGRENAGE COMP. ASS.	1	\$856.75
117	1202261170	PIVOT SHAFT	TIGE DE PIVOTEMENT	1	\$67.68
118	1202261180	CAP SCREW	BOULON A TETE CYLINDRIQUE	2	\$2.13
119	1202261190	DRIVE WHEEL BOX	BOITIER DE LA ROUE	1	\$500.25
120	1202261200	RETAINING RING/SHAFT	ANNEAU EN DE RETENU/TIGE	2	\$1.55
121	1202261210	SET SCREW	VIS SANS TETE	1	\$2.01
122	1202261220	CAP SCREW	BOULON A TETE CYLINDRIQUE	3	\$1.78
123	1202261230	LOCK HANDLE	POIGNEE DE VERROUILLAGE	1	\$27.20
124	1202261240	WASHER	RONDELLE	1	\$1.67
125	1202261250	MOTOR ADJUSTABLE PLATE	PLAQUE D'AJUSTEMENT DU MOTEUR	1	\$21.68
126	1202261260	HEX. NUT	ECROU HEXAGONAL	1	\$1.61
127	1202261270	WASHER	RONDELLE	2	\$1.73
128	1202261280	BRACKET	SUPPORT	1	\$15.81
129	1202261290	HEX. BOLT	BOULON HEXAGONAL	1	\$2.01
130	1202261300	HEX. BOLT	BOULON HEXAGONAL	4	\$2.01
131	1202261310	WASHER	RONDELLE	4	\$1.73
132	1202261320	MOTOR MOUNTING PLATE	PLAQUE DE MONTAGE DU MOTEUR	1	\$91.60
133	1202261330	WASHER	RONDELLE	4	\$1.73
134	1202261340	HEX. NUT	ECROU HEXAGONAL	4	\$1.61
135	1202261350	SET SCREW	VIS SANS TETE	1	\$1.55
136	1202261360	PIVOT SHAFT	TIGE DE PIVOTEMENT	1	\$10.29
137-2	1202261372	MOTOR (220V)	MOTEUR (220V)	1	\$730.25
137-3	1202261373	STARTING CAPACITOR (220V)	CONDENSATEUR DE DEMAR. (220V)	1	\$73.31
137-5	1202261375	MOTOR (550V)	MOTEUR (550V)	1	\$764.75
138	1202261380	KEY	CLE DE RETENUE	1	\$2.70

Pricing subject to change without prior notice. / Prix sujet à changement sans préavis.



Parts Pricing List / Liste de Prix des Pièces

KC-226

Diag.	Order # Com.	English Description	Description Française	Qty./Qté.	Price/Prix
140	1202261400	REINFORCED HOSE	BOYAU RENFORCE	1	\$45.83
141	1202261410	HOSE FITTING	RACCORD DE BOYAU	1	\$9.03
142	1202261420	SPRING WASHER	RONDELLE A RESSORT	3	\$1.55
143	1202261430	CAP SCREW	BOULON A TETE CYLINDRIQUE	3	\$1.90
144	1202261440	CAP SCREW	BOULON A TETE CYLINDRIQUE	2	\$2.70
145	1202261450	CONNECTOR BRACKET	JOINT DE RACCORDEMENT	1	\$28.58
146	1202261460	RIGHT COLUMN SUPPORT	SUPPORT DE LA COLONNE (DROIT)	1	\$114.71
147	1202261470	SPRING PIN	GOUPILLE A RESSORT	2	\$1.90
148	1202261480	CAP SCREW	BOULON A TETE CYLINDRIQUE	2	\$2.24
149	1202261490	WASHER	RONDELLE	2	\$1.67
152	1202261520	LOCKING STAR WASHER	RONDELLE ETOILEE DE VERROUILLAGE	1	\$5.00
153	1202261530	LOCKING NUT	ECROU DE VERROUILLAGE	1	\$12.36
154	1202261540	SET SCREW	VIS SANS TETE	1	\$1.90
155	KBB-226	BLADE	LAME	1	-
156	1202261560	DRIVE BLADE WHEEL	ROUE D'ENTRAINEMENT	1	\$212.69
157	1202261570	KEY	CLE DE RETENUE	1	\$2.70
158	1202261580	DRIVE WHEEL COVER	COUV. DE ROUE D'ENTRAINEMENT	1	\$103.33
160	1202261600	PAN HD SCREW	VIS A TETE BOMBEE	2	\$1.55
161	1202261610	BRUSH COVER	COUVERCLE DE LA BROSSSE	1	\$38.93
162	1202261620	SPRING WASHER	RONDELLE A RESSORT	2	\$1.55
163	1202261630	HEX. NUT	ECROU HEXAGONAL	2	\$1.61
170	1202261700	HEX. NUT	ECROU HEXAGONAL	1	\$1.78
171	1202261710	SPRING	RESSORT	1	\$4.08
172	1202261720	BEARING BRACKET (RIGHT)	SUPPORT DES ROULEMENTS (DROIT)	1	\$67.68
173	1202261730	SET SCREW	VIS SANS TETE	2	\$1.90
174	1202261740	SPRING PIN	GOUPILLE A RESSORT	1	\$1.90
175	1202261750	ADJUSTABLE FIXING PLATE (RIGHT)	PLAQUE DE FIXATION AJUST. (DROIT)	1	\$17.08
176	1202261760	SPRING WASHER	RONDELLE A RESSORT	1	\$1.55
177	1202261770	CAP SCREW	BOULON A TETE CYLINDRIQUE	1	\$2.47
178	1202261780	HEX. NUT	ECROU HEXAGONAL	1	\$1.61
179	1202261790	SET SCREW	VIS SANS TETE	1	\$2.01
180	1202261800	SPACER BUSHING	BAGUE D'ESPACEMENT	1	\$5.69
181	1202261810	RD BRUSH & SHAFT ASS'Y	BROSSE RONDE ET TIGE ASS.	1	\$74.69
182	1202261820	ROUND BRUSH (ONLY)	BROSSE RONDE (SEUL)	1	\$41.34
185	1202261850	COMPLETE PULLEY COVER	COUVERCLE DES POULIES COMP.	1	\$178.25
187	1202261870	GEAR BOX PULLEY	POULIE DU BOITIER D'ENGRENAGE	1	\$79.06
188	1202261880	MOTOR PULLEY	POULIE DU MOTEUR	1	\$91.94
191	1202261910	KEY	CLE DE RETENUE	1	\$2.47
192	1202261920	SET SCREW	VIS SANS TETE	4	\$2.01
193	1202261930	V-BELT	COURROIE EN "V"	1	\$12.59
194	1202261940	PAN HD SCREW	VIS A TETE RONDE	3	\$1.78
195	1202261950	WASHER	RONDELLE	3	\$1.73
216	1202262160	HOSE CLAMP	ATTACHE-BOYAU	2	\$2.59
217	1202262170	VINYL HOSE	BOYAU DE VYNILE	1	\$19.49
218	1202262180	HOSE FITTING	RACCORD DE BOYAU	1	\$5.69
219	1202262190	VALVE	VALVE	2	\$19.95
220	1202262200	HOSE FITTING	RACCORD DE BOYAU	1	\$7.53

Pricing subject to change without prior notice. / Prix sujet à changement sans préavis.



Parts Pricing List / Liste de Prix des Pièces

KC-226

Diag.	Order # Com.	English Description	Description Française	Qty./Qté.	Price/Prix
221	1202262210	VINYL HOSE	BOYAU DE VYNILE	1	\$27.54
222	1202262220	LUBRICANT FLEXIBLE HOSE	BOYAU FLEXIBLE DE LUBRIFICATION	1	\$29.73
230	1202262300	SPRING COVER	COUVERCLE DU RESSORT	1	\$36.40
231	1202262310	HEX. BOLT	BOULON HEXAGONAL	2	\$1.90
232	1202262320	WASHER	RONDELLE	2	\$1.73
233	1202262330	HEX. NUT	ECROU HEXAGONAL	2	\$1.61
234	1202262340	WASHER (THICK)	RONDELLE (EPAISSE)	2	\$2.70
235	1202262350	HEX. NUT	ECROU HEXAGONAL	1	\$2.01
236	1202262360	SPRING BRACKET	SUPPORT DU RESSORT	1	\$13.40
237	1202262370	HEX. BOLT	BOULON HEXAGONAL	2	\$2.01
238	1202262380	EYE BOLT	BOULON A OEIL	1	\$14.78
239	1202262390	EXTENSION SPRING	RESSORT A EXTENSION	1	\$114.83
245	1202262450	PIN	GOUPILLE	1	\$3.16
246	1202262460	RACK HOOK	VERROU DE LA CREMAILLE	1	\$25.13
247	1202262470	RACK HOOK BRACKET	SUPPORT DE VERROU	1	\$61.70
248	1202262480	RACK SUPPORT	SUPPORT DE LA CREMAILLE	2	\$57.33
249	1202262490	SHOULDER BUSHING	BAGUE A EPAULEMENT	2	\$5.69
250	1202262500	CAP SCREW	BOULON A TETE CYLINDRIQUE	2	\$2.70
251	1202262510	SPRING WASHER	RONDELLE A RESSORT	4	\$1.67
252	1202262520	CAP SCREW	BOULON A TETE CYLINDRIQUE	4	\$1.90
253	1202262530	THREADED SHAFT	TIGE FILETEE	1	\$61.81
254	1202262540	KEY	CLE DE RETENUE	1	\$1.90
255	1202262550	RACK	CREMAILLE	1	\$96.31
258	1202262580	HEX. BOLT	BOULON HEXAGONAL	1	\$1.67
259	1202262590	FIXED PLATE	PLAQUE DE FIXATION	1	\$14.66
260	1202262600	FIXED PLATE	PLAQUE DE FIXATION	1	\$16.85
261	1202262610	HEX. BOLT	BOULON HEXAGONAL	2	\$1.67
262	1202262620	WASHER	RONDELLE	2	\$1.73
263	1202262630	HEX. NUT	ECROU HEXAGONAL	2	\$1.61
264	1202262640	ROD BRACKET	SUPPORT DE TIGE	1	\$43.07
265	1202262650	CAP SCREW	BOULON A TETE CYLINDRIQUE	2	\$2.82
266	1202262660	CAP SCREW	BOULON A TETE CYLINDRIQUE	2	\$2.01
267	1202262670	SETTING ROD	TIGE D'AJUSTEMENT	1	\$38.93
268	1202262680	HEX. BOLT	BOULON HEXAGONAL	1	\$2.01
269	1202262690	HEX. NUT	ECROU HEXAGONAL	1	\$1.73
270	1202262700	SETTING BRACKET	SUPPORT D'AJUSTEMENT	1	\$13.51
271	1202262710	STOP BRACKET	SUPPORT D'ARRET	1	\$34.10
272	1202262720	SPRING WASHER	RONDELLE A RESSORT	1	\$1.55
273	1202262730	LOCK KNOB	BOUTON DE RETENUE	1	\$5.69
274	1202262740	SET SCREW	VIS SANS TETE	1	\$1.55
275	1202262750	RETAINING RING/SHAFT	ANNEAU DE RETENU/TIGE	1	\$2.24
278	1202262780	HEX. BOLT	BOULON HEXAGONAL	2	\$2.13
279	1202262790	SPRING WASHER	RONDELLE A RESSORT	2	\$1.55
280	1202262800	RETAINING PLATE	PLAQUE DE RETENUE	1	\$5.69
281	1202262810	REAR PIVOT BRACKET	SUPPORT DE PIVOTEMENT (ARR.)	1	\$212.75
282	1202262820	LOCKING NUT	ECROU DE VERROUILLAGE	1	\$12.36
283	1202262830	LOCKING STAR WASHER	RONDELLE ETOILEE DE VERR.	1	\$5.00

Pricing subject to change without prior notice. / Prix sujet à changement sans préavis.



Parts Pricing List / Liste de Prix des Pièces

KC-226

Diag.	Order # Com.	English Description	Description Française	Qty./Qté.	Price/Prix
284	1202262840	BALL BEARING	ROULEMENT A BILLES	2	\$83.78
285	1202262850	HEX. BOLT	BOULON HEXAGONAL	1	\$3.39
286	1202262860	HEX. NUT	ECROU HEXAGONAL	1	\$1.78
287	1202262870	POSITION SET BRACKET	SUPPORT DE POSITIONNEMENT	1	\$34.44
288	1202262880	WASHER	RONDELLE	2	\$1.73
289	1202262890	CAP SCREW	BOULON A TETE CYLINDRIQUE	2	\$1.84
290	1202262900	GREASE NIPPLE	ORIFICE A GRAISSAGE	2	\$3.05
291	1202262910	WASHER SPACER	ESPACEUR RONDELLE	1	\$9.60
294	1202262940	WASHER	RONDELLE	1	\$1.90
295	1202262950	WISE TABLE (SPECIAL ORDER)	TABLE DE L'ETAU	1	\$948.75
296	1202262960	PAN HD SCREW	VIS A TETE BOMBEE	2	\$1.55
297	1202262970	DEGREE SCALE	EHELLE EN DEGRES	1	\$10.75
298	1202262980	SET SCREW	VIS SANS TETE	1	\$2.01
299	1202262990	WISE JAW BRACKET (FRONT)	MACHOIRE DE L'ETAU (AVANT)	1	\$109.25
300	1202263000	WASHER	RONDELLE	2	\$1.84
301	1202263010	WISE LOCK HANDLE	POIGNEE DE VERR. DE L'ETAU	2	\$45.94
302	1202263020	CAP SCREW	BOULON A TETE CYLINDRIQUE	3	\$2.24
303	1202263030	WASHER	RONDELLE	1	\$1.55
304	1202263040	BUSHING	BAGUE	1	\$5.69
305	1202263050	SET SCREW	VIS SANS TETE	2	\$1.55
306	1202263060	WISE JAW BUSHING	BAGUE DE LA MACHOIRE DE L'ETAU	1	\$14.89
307	1202263070	SET SCREW	VIS SANS TETE	2	\$2.01
308	1202263080	WISE JAW BRACKET (REAR)	MACHOIRE DE L'ETAU (ARRIERE)	1	\$224.25
310	1202263100	HEX. BOLT	BOULON HEXAGONAL	2	\$1.67
311	1202263110	SPRING WASHER	RONDELLE A RESSORT	2	\$1.55
312	1202263120	CONTROL BOX (ONLY)	BOITE DE CONTROLE (SEUL)	1	\$159.85
313	1202263130	COUNTERSUNK HD SCREW	VIS A TETE FRAISEE	2	\$1.67
315	1202263150	CONTROL BOX PLATE	PLAQUE DE LA BOITE DE CONTROLE	1	\$68.83
316	1202263160	PAN HD SCREW	VIS A TETE BOMBEE	8	\$1.55
317	1202263170	SQUARE COLUMN	COLONNE CARREE	1	\$247.25
318	1202263180	LOWER BLADE PROTECTOR	PROTEGE-LAME INFERIEUR	1	\$172.33
319	1202263190	SPRING WASHER	RONDELLE A RESSORT	4	\$1.67
320	1202263200	HEX. BOLT	BOULON HEXAGONAL	4	\$1.67
321	1202263210	CAP SCREW	BOULON A TETE CYLINDRIQUE	2	\$1.67
322	1202263220	UPPER BLADE COVER	COUVERCLE DE LAME DU HAUT	1	\$89.53
323	1202263230	PAN HD SCREW	VIS TETE BOMBEE	4	\$1.55
331	1202263310	CABINET STAND (SPECIAL ORDER)	CABINET SUPPORT INDUSTRIEL	1	\$1,374.25
332	1202263320	PAN HD SCREW	VIS A TETE BOMBEE	6	\$1.55
333	1202263330	SPRING WASHER	RONDELLE A RESSORT	6	\$1.55
334	1202263340	HEX. BOLT	BOULON HEXAGONAL	1	\$1.67
335	1202263350	FILTER	FILTRE	1	\$11.44
336	1202263360	HEX. NUT	ECROU HEXAGONAL	7	\$1.61
337	1202263370	HEX. BOLT	BOULON HEXAGONAL	7	\$1.90
338	1202263380	HEX. NUT	ECROU HEXAGONAL	8	\$1.61
339	1202263390	WASHER	RONDELLE	8	\$1.73
340	1202263400	CAP SCREW	BOULON A TETE CYLINDRIQUE	1	\$2.59
341	1202263410	CAP SCREW	BOULON A TETE CYLINDRIQUE	1	\$2.93

Pricing subject to change without prior notice. / Prix sujet à changement sans préavis.



Parts Pricing List / Liste de Prix des Pièces

KC-226

Diag.	Order # Com.	English Description	Description Française	Qty./Qté.	Price/Prix
342	1202263420	HEX. BOLT	BOULON HEXAGONAL	4	\$2.70
343	1202263430	CHIP TRAY	PLATEAU DE RECUPERATION	1	\$68.83
346	1202263460	COOLANT TANK	RESERVOIR A LIQUIDE	1	\$43.07
347-2	1202263472	COOLANT PUMP (220V)	POMPE A LIQUIDE (220V)	1	\$332.35
347-5	1202263475	COOLANT PUMP (550V)	POMPE A LIQUIDE (550V)	1	\$385.25
348	1202263480	WASHER	RONDELLE	4	\$1.55
349	1202263490	PAN HD SCREW	VIS A TETE BOMBEE	4	\$1.67
350	1202263500	90 DEGREE CONNECTOR	RACCORD 90 DEGRES	1	\$17.19
351	1202263510	REINFORCED COOLANT HOSE	BOYAU RENFORCE POUR LIQUIDE	1	\$18.34
356	1202263560	PAN HD SCREW	VIS A TETE BOMBEE	2	\$1.55
357	1202263570	SPRING WASHER	RONDELLE A RESSORT	2	\$1.55
359	1202263590	PIVOT PIN	GOUPILLE DE PIVOTEMENT	1	\$11.10
360	1202263600	CAP SCREW	BOULON A TETE CYLINDRIQUE	3	\$2.01
361	1202263610	SPRING WASHER	RONDELLE A RESSORT	3	\$1.67
362	1202263620	UPPER CYLINDER BRACKET	SUPPORT DU CYLINDRE (HAUT)	1	\$55.03
363	1202263630	SET SCREW	VIS SANS TETE	1	\$1.44
364	1202263640	LIMIT SWITCH BRACKET	SUPPORT/INTERRUPTEUR CONTACT	1	\$20.53
370	1202263700	HOSE W/TUBE FITTING	BOYAU AVEC RACCORD	1	\$56.18
371	1202263710	HOSE W/TUBE FITTING	BOYAU AVEC RACCORD	1	\$44.45
372	1202263720	COMPLETE VALVE ASS'Y	VALVE COMPLETE ASSEMBLE	1	\$112.30
373	1202263730	HEX. BOLT	BOULON HEXAGONAL	1	\$1.67
374	1202263740	WASHER	RONDELLE	1	\$1.73
375	1202263750	COMP. CYLINDER W/CONTROL ASS.	CYLINDRE COMPLET ET VALVE ASS.	1	\$626.75
376	1202263760	CYLINDER SUPPORT SHAFT	TIGE SUPPORT DU CYLINDRE	1	\$34.10
377	1202263770	LOCK KNOB	BOUTON DE VERROUILLAGE	1	\$4.43
378	1202263780	WASHER	RONDELLE	1	\$1.73
379	1202263790	HEX. NUT	ECROU HEXAGONAL	1	\$1.67
380	1202263800	LIMIT SWITCH	INTERRUPTEUR DE CONTACT	1	\$178.19
381	1202263810	PAN HD SCREW	VIS A TETE BOMBEE	2	\$1.90
382	1202263820	COOLANT PUMP SWITCH	INTERR. DE LA POMPE A LIQUIDE	1	\$57.10
383	1202263830	EMERGENCY SAFETY SWITCH	INTERRUPTEUR ARRET D'URGENCE	1	\$78.95
384	1202263840	START BUTTON (GREEN)	BOUTON DE DEMARRAGE (VERT)	1	\$68.94
385	1202263850	INDICATING LIGHT	LAMPE TEMOIN	1	\$32.95
386	1202263860	FEED RATE ADJUST KNOB	BOUTON D'AJUSTEMENT	1	\$39.04
387	1202263870	FEED STOP KNOB	BOUTON D'ARRET DE L'ABAISSEMENT	1	\$34.33
400	1202264000	ADJUSTING SLIDE BRACKET	SUP. D'AJUSTEMENT COULISSANT	1	\$143.75
401	1202264010	POINTED SET SCREW W/SLOT	VIS SANS TETE PAINTUE A/ RAINURE	2	\$6.84
402	1202264020	HEX. NUT	ECROU HEXAGONAL	2	\$1.78
403	1202264030	WASHER	RONDELLE	1	\$1.67
404	1202264040	CAP SCREW	BOULON A TETE CYLINDRIQUE	1	\$2.47
405	1202264050	DISC WASHER SPRING	DISQUE RONDELLE A RESSORT	14	\$11.33
406	1202264060	INDICATOR DIAL	INDICATEUR	1	\$6.84
407	1202264070	THRUST BEARING	ROULEMENT A BUTEES	1	\$45.48
408	1202264080	WASHER (THICK)	RONDELLE (EPAISSE)	1	\$2.70
409	1202264090	SPECIAL HEX. BOLT	BOULON HEXAGONAL SPECIAL	1	\$10.29
410	1202264100	SCALE	REGLE	1	\$9.60
411	1202264110	PAN HD SCREW	VIS A TETE BOMBEE	2	\$1.55

Pricing subject to change without prior notice. / Prix sujet à changement sans préavis.



Parts Pricing List / Liste de Prix des Pièces

KC-226

Diag.	Order # Com.	English Description	Description Française	Qty./Qté.	Price/Prix
412	1202264120	HEX. BOLT	BOULON HEXAGONAL	4	\$2.01
413	1202264130	SPRING WASHER	RONDELLE A RESSORT	4	\$1.55
414	1202264140	GIB	GLISSIERE	2	\$41.00
415	1202264150	SLIDE BRACKET	SUPPORT DU COULISSANT	1	\$90.68
416	1202264160	HOSE CLAMP	ATTACHE-BOYAU	2	\$2.59
417	1202264170	HEX. BOLT	BOULON HEXAGONAL	8	\$1.84
418	1202264180	WASHER	RONDELLE	8	\$1.67
419	1202264190	BALL BEARING	ROULEMENT A BILLES	12	\$14.89
420	1202264200	RETAINING RING/SHAFT	ANNEAU DE RETENU/TIGE	4	\$1.50
421	1202264210	HEX. NUT	ECROU HEXAGONAL	1	\$1.73
422	1202264220	ECCENTRIC SHAFT	TIGE EXCENTRIQUE	2	\$52.84
423	1202264230	STRAIGHT SHAFT	TIGE DROITE	2	\$62.04
424	1202264240	THRUST BEARING	ROULEMENT A BUTEES	2	\$22.94
425	1202264250	WASHER	RONDELLE	1	\$1.67
426	1202264260	RETAINING RING/BORE	ANNEAU DE RETENU/ALESAGE	2	\$3.28
427	1202264270	IDLER WHEEL	ROUE FOLLE	1	\$189.75
428	1202264280	BALL BEARING	ROULEMENT A BILLES	2	\$33.29
429	1202264290	BEARING SPACER	ESPACEUR DE ROULEMENT	1	\$6.27
430	1202264300	CAP SCREW	BOULON A TETE CYLINDRIQUE	1	\$1.90
431	1202264310	KEY	CLE DE RETENUE	1	\$2.70
432	1202264320	WHEEL SHAFT	TIGE DE LA ROUE	1	\$114.60
433	1202264330	CAP SCREW	BOULON A TETE CYLINDRIQUE	4	\$2.24
434	1202264340	OIL SEAL CAP	COUV. DU JOINT D'ETANCHEITE	1	\$43.30
435	1202264350	O-RING	ANNEAU D'ETANCHEITE	1	\$5.58
436	1202264360	OIL SEAL	JOINT D'ETANCHEITE	1	\$12.59
437	1202264370	GEAR BOX COVER	COUV. DU BOITIER D'ENGRENAGE	1	\$107.81
438	1202264380	CAP SCREW	BOULON A TETE CYLINDRIQUE	4	\$1.84
439	1202264390	O-RING	ANNEAU D'ETANCHEITE	1	\$6.15
440	1202264400	TAPER ROLLER BEARING	ROULEMENT CONIQUE	1	\$113.45
441	1202264410	RETAINING RING/SHAFT	ANNEAU DE RETENU/TIGE	2	\$2.36
442	1202264420	WORM GEAR	ENGRENAGE SANS FIN	1	\$373.75
443	1202264430	TAPER ROLLER BEARING	ROULEMENT CONIQUE	1	\$98.61
444	1202264440	DRAIN PLUG	BOUCHON DE DRAINAGE	1	\$4.54
445	1202264450	OIL SIGHT GLASS	OEIL DU NIVEAU D'HUILE	1	\$4.54
446	1202264460	OIL PLUG	BOUCHON A L'HUILE	1	\$5.58
447	1202264470	CAP SCREW	BOULON A TETE CYLINDRIQUE	4	\$2.24
448	1202264480	COVER (BACK)	COUVERCLE (ARRIERE)	1	\$34.33
449	1202264490	BALL BEARING	ROULEMENT A BILLES	1	\$21.79
450	1202264500	GEAR BOX (ONLY)	BOITIER D'ENGRENAGE (SEUL)	1	\$327.75
451	1202264510	WORM SHAFT	TIGE A ENGRENAGE SANS FIN	1	\$339.25
452	1202264520	BALL BEARING	ROULEMENT A BILLES	1	\$29.84
454	1202264540	OIL SEAL	JOINT D'ETANCHEITE	1	\$21.79
455	1202264550	GEAR BOX COVER (FRONT)	COUV. DE LA BOITE D'ENGRENAGE (AV.)	1	\$38.70
456	1202264560	CAP SCREW	BOULON A TETE CYLINDRIQUE	4	\$1.78
	120226MBIL	KC-226 BILINGUAL MANUAL	KC-226 MANUEL BILINGUE	1	\$15.00

Pricing subject to change without prior notice. / Prix sujet à changement sans préavis.

Free Manuals Download Website

<http://myh66.com>

<http://usermanuals.us>

<http://www.somanuals.com>

<http://www.4manuals.cc>

<http://www.manual-lib.com>

<http://www.404manual.com>

<http://www.luxmanual.com>

<http://aubethermostatmanual.com>

Golf course search by state

<http://golfingnear.com>

Email search by domain

<http://emailbydomain.com>

Auto manuals search

<http://auto.somanuals.com>

TV manuals search

<http://tv.somanuals.com>