



Service Manual / Manuel de Service

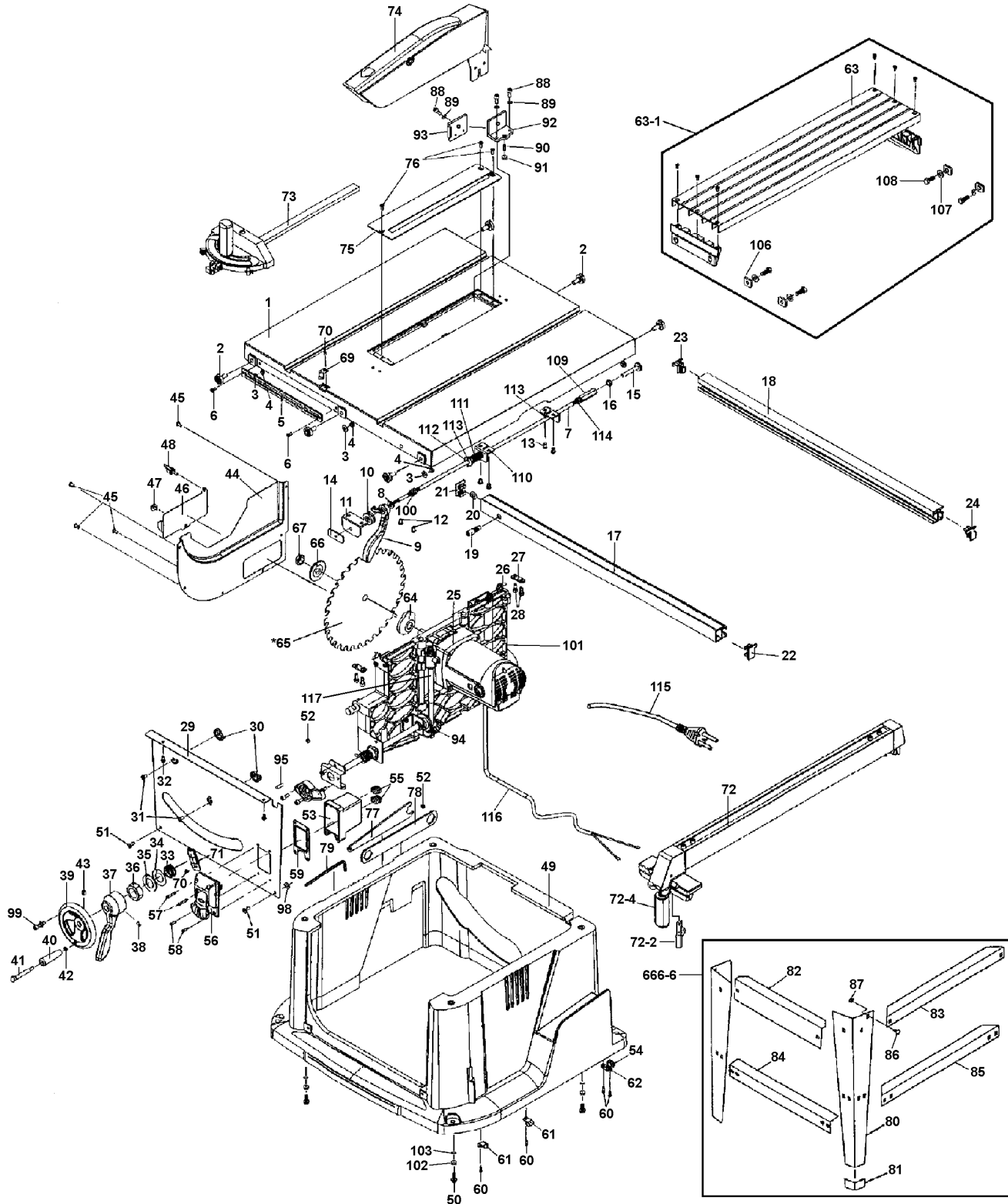
10" Table Saw Banc de Scie 10"



Revised/Revisé 08/2008

Main Diagram / Diagramme Principale

KC-5010





Service Manual / Manuel de Service

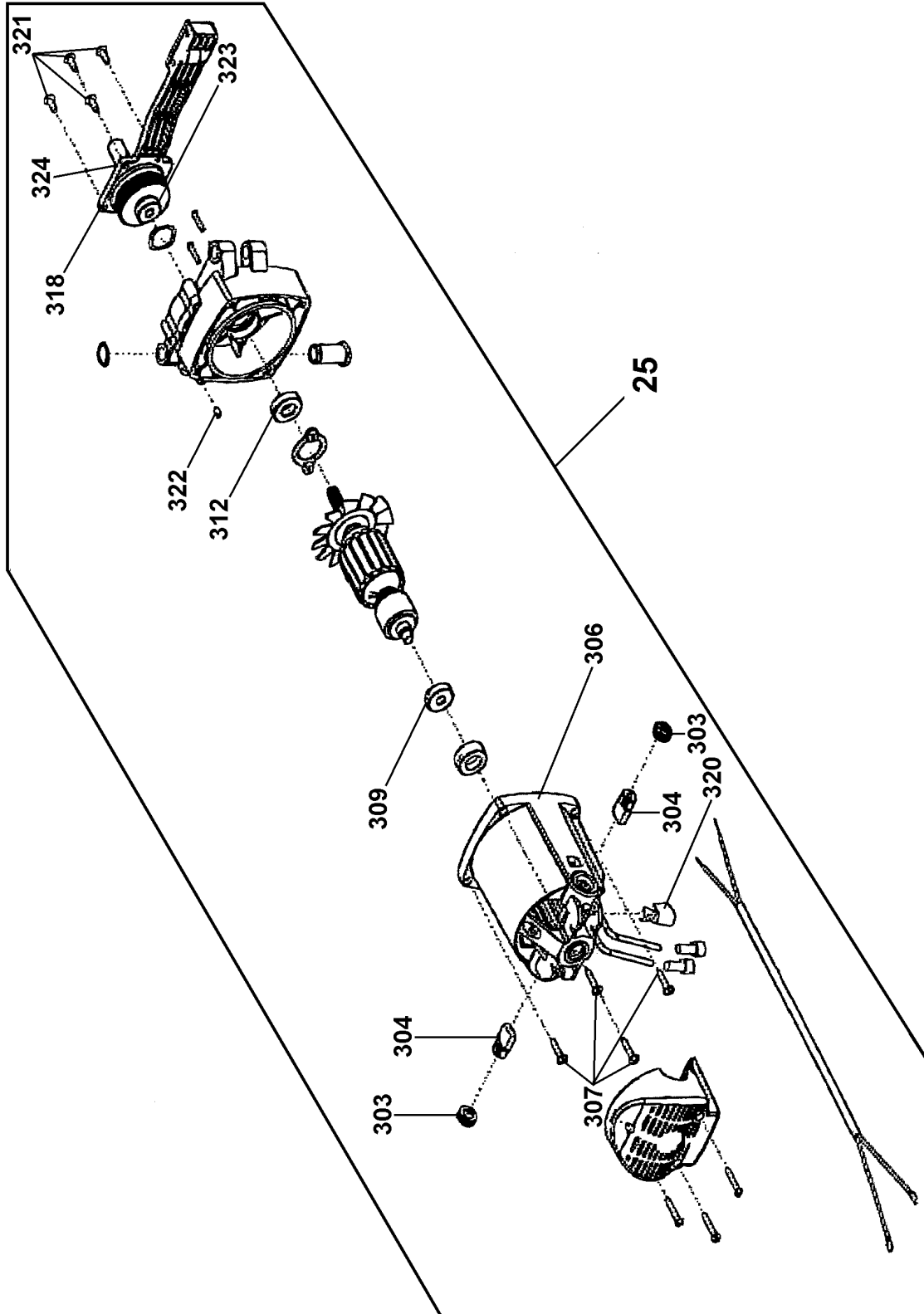
10" Table Saw Banc de Scie 10"



Revised/Revisé 08/2008

Motor Diagram / Diagramme du Moteur

KC-5010





Parts Pricing List / Liste de Prix des Pièces

KC-5010

Diag.	Order # Com.	English Description	Description Française	Qty./Qté.	Price/Prix
1	5050100010	WORK TABLE	TABLE DE TRAVAIL	1	\$227.70
2	5050100020	SLIDING BAR ROLLER	ROULEAU DES BARRES COULISSANTE	6	\$14.89
3	5050100030	WASHER	RONDELLE	6	\$1.50
4	5050100040	HEX. NUT	ECROU HEXAGONAL	6	\$1.61
5	5050100050	SLIDING SUPPORT	SUPPORT COULISSANT	1	\$6.50
6	5050100060	PAN HD SCREW	VIS A TETE BOMBEE	2	\$1.55
7	5050100070	LOCK SHAFT	TIGE DE VERROUILLAGE	1	\$7.42
8	5050100080	WASHER	RONDELLE	2	\$1.50
9	5050100090	ADJUSTMENT LEVER	LEVIER D'AJUSTEMENT	1	\$5.00
10	5050100100	LOCK CAM	EXCENTRIQUE DE VERROUILLAGE	2	\$4.43
11	5050100110	BRACKET	SUPPORT	1	\$6.50
12	5050100120	FLAT HEAD SCREW	VIS A TETE PLATE	2	\$2.13
13	5050100130	FLAT HEAD SCREW	VIS A TETE PLATE	4	\$2.24
14	5050100140	PLATE	PLAQUE	1	\$2.70
15	5050100150	ROLLER SHAFT	TIGE DU ROULEAU	1	\$4.31
16	5050100160	HEX. NUT	ECROU HEXAGONAL	1	\$1.61
17	5050100170	FRONT SLIDING BAR	RAIL COULISSANTE AVANT	1	\$33.06
18	5050100180	REAR SLIDING BAR	RAIL COULISSANTE ARRIERE	1	\$33.98
19	5050100190	CAP SCREW	BOULON A TETE CYLINDRIQUE	1	\$2.13
20	5050100200	SPRING WASHER	RONDELLE A RESSORT	1	\$1.55
21	5050100210	END CAP	CAPUCHON	1	\$2.70
22	5050100220	END CAP	CAPUCHON	1	\$2.70
23	5050100230	END CAP	CAPUCHON	1	\$2.70
24	5050100240	END CAP	CAPUCHON	1	\$2.70
25	5050100250	MOTOR ASSEMBLY	MOTEUR ASSEMBLE	1	\$274.85
26	5050100260	PIN	GOUPILLE	2	\$2.93
27	5050100270	FIXING PLATE	PLAQUE DE FIXATION	2	\$3.74
28	5050100280	SCREW W/ LOCK WASHER	VIS AVEC RONDELLE	4	\$2.01
29	5050100290	FRONT PLATE	PLAQUE AVANT	1	\$33.75
30	5050100300	BLADE ANGLE STOP	ARRET D'ANGLE DE LA LAME	2	\$3.39
31	5050100310	SET SCREW	VIS SANS TETE	2	\$2.01
32	5050100320	SCREW W/ LOCK WASHER	VIS AVEC RONDELLE	2	\$2.01
33	5050100330	SPRING	RESSORT	1	\$4.54
34	5050100340	SHIM	ESPACEUR	1	\$2.24
35	5050100350	SHIM	ESPACEUR	1	\$2.24
36	5050100360	HEX. NUT	ECROU HEXAGONAL	1	\$2.93
37	5050100370	BLADE ANGLE LEVER	LEVIER D'ANGLE DE LA LAME	1	\$11.33
38	5050100380	SET SCREW	VIS SANS TETE	1	\$1.67
39	5050100390	HANDWHEEL	MANIVELLE	1	\$15.58
40	5050100400	HANDLE	POIGNEE	1	\$4.20
41	5050100410	HANDLE SCREW	VIS DE LA POIGNEE	1	\$3.74
42	5050100420	SPRING WASHER	RONDELLE A RESSORT	1	\$1.50
43	5050100430	SET SCREW	VIS SANS TETE	1	\$2.01
44	5050100440	BLADE COVER	COUVERCLE DE LA LAME	1	\$18.34
45	5050100450	SCREW	VIS	4	\$1.78
46	5050100460	ACCESS COVER	COUVERCLE D'ACCES	1	\$4.89
47	5050100470	SCREW	VIS	1	\$1.90

Pricing subject to change without prior notice. / Prix sujet à changement sans préavis.



Parts Pricing List / Liste de Prix des Pièces

KC-5010

Diag.	Order # Com.	English Description	Description Française	Qty./Qté.	Price/Prix
48	5050100480	WING NUT	ECROU PAPILLON	1	\$2.59
49	5050100490	BASE	BASE	1	\$79.06
50	5050100500	HEX. BOLT	BOULON HEXAGONAL	4	\$1.96
51	5050100510	SCREW W/ LOCK WASHER	VIS AVEC RONDELLE	2	\$2.01
52	5050100520	NYLON NUT	ECROU AVEC NYLON	2	\$2.01
53	5050100530	SWITCH BOX	BOITIER DE L'INTERRUPTEUR	1	\$10.18
54	5050100540	GROMMET	GROMMET	4	\$2.70
55	5050100550	STRAIN RELIEF	ATTACHE-FIL	2	\$2.59
56	5050100560	PADDLE SWITCH	INTERRUPTEUR	1	\$30.99
57	5050100570	SCREW	VIS	2	\$1.90
58	5050100580	TAPPING SCREW	VIS AUTOTARAUDEUSE	2	\$2.01
59	5050100590	SWITCH PLATE	PLAQUE DE L'INTERRUPTEUR	1	\$3.28
60	5050100600	TAPPING SCREW	VIS AUTOTARAUDEUSE	4	\$2.01
61	5050100610	WIRE HOLDER	RETENEUR DE FIL	2	\$2.24
62	5050100620	FIXING PLATE	PLAQUE DE FIXATION	1	\$2.82
63	5050100630	TABLE EXTENSION	EXTENSION DE TABLE	1	\$78.60
63-1	5050100631	TABLE EXTENSION ASS'Y	EXTENSION DE TABLE ASSEMBLE	1	\$87.34
64	5050100640	INTERIOR BLADE WASHER	RONDELLE INTERIEURE POUR LAME	1	\$6.50
65	KSC-1024T	BLADE	LAME	1	-
66	5050100660	EXTERIOR BLADE WASHER	RONDELLE EXTERIEURE POUR LAME	1	\$6.15
67	5050100670	BLADE FIXING NUT	ECROU DE LA LAME	1	\$3.16
69	5050100690	POINTER	INDICATEUR	1	\$3.05
70	5050100700	PAN HD SCREW	VIS A TETE BOMBEE	2	\$1.55
71	5050100710	TILT INDICATOR	INDICATEUR D'INCLINAISON	1	\$3.16
72	5050100720	RIP FENCE ASSEMBLY	GUIDE A REFENDRE ASSEMBLE	1	\$110.11
72-2	5050100722	CLAMP SHOE	SABOT	1	\$6.38
72-4	5050100724	FENCE HANDLE	POIGNEE POUR GUIDE A REFFENDRE	1	\$9.60
73	5050100730	MITER GAUGE ASSEMBLY	GUIDE A ONGLETS ASSEMBLE	1	\$57.10
74	5050100740	BLADE GUARD ASSEMBLY	PROTEGE-LAME ASSEMBLE	1	\$55.03
75	5050100750	TABLE INSERT	INSERTION DE TABLE	1	\$13.05
76	5050100760	COUNTERSUNK HEAD SCREW	VIS A TETE FRAISEE	3	\$1.55
77	5050100770	OPEN WRENCH	CLE OUVERTE	1	\$6.84
78	5050100780	WRENCH	CLE	1	\$6.15
79	5050100790	HEX. KEY (5MM)	CLE HEXAGONALE (5MM)	1	\$2.82
80	5050100800	LEG	JAMBE	4	\$22.83
81	5050100810	CORNER SUPPORT	SUPPORT DE COIN	4	\$4.43
82	5050100820	SHORT TOP SUPPORT	PETIT SUPPORT DU HAUT	2	\$10.75
83	5050100830	LONG TOP SUPPORT	LONG SUPPORT DU HAUT	2	\$12.02
84	5050100840	SHORT BOTTOM SUPPORT	PETIT SUPPORT DU BAS	2	\$12.25
85	5050100850	LONG BOTTOM SUPPORT	LONG SUPPORT DU BAS	2	\$12.59
86	5050100860	CARRIAGE BOLT	BOULON A CARROSSERIE	24	\$2.13
87	5050100870	FLANGE HEX. NUT	ECROU A TETE BRIDEE	24	\$1.55
88	5050100880	CAP SCREW	BOULON A TETE CYLINDRIQUE	3	\$2.24
89	5050100890	SPRING WASHER	RONDELLE A RESSORT	3	\$1.55
90	5050100900	SET SCREW	VIS SANS TETE	1	\$1.67
91	5050100910	HEX. NUT	ECROU HEXAGONAL	1	\$1.67
92	5050100920	SUPPORT BRACKET	SUPPORT DE RETENU	1	\$9.72

Pricing subject to change without prior notice. / Prix sujet à changement sans préavis.



Parts Pricing List / Liste de Prix des Pièces

KC-5010

Diag.	Order # Com.	English Description	Description Française	Qty./Qté.	Price/Prix
93	5050100930	FIXING PLATE	PLAQUE DE FIXATION	1	\$6.15
94	5050100940	PLASTIC GEAR	ENGRENAGE EN PLASTIQUE	2	\$10.18
95	5050100950	LOCK PIN	GOUPILLE A RESSORT	1	\$1.90
98	5050100980	WASHER	RONDELLE	2	\$1.50
99	5050100990	SCREW W/ LOCK WASHER	VIS AVEC RONDELLE	1	\$1.90
100	5050101000	HEX. NUT	ECROU HEXAGONAL	2	\$1.61
101	5050101010	MOTOR FRAME	SUPPORT DU MOTEUR	1	\$112.30
102	5050101020	HEX. NUT	ECROU HEXAGONAL	4	\$1.61
103	5050101030	WASHER	RONDELLE	4	\$1.61
106	5050101060	SQUARE NUT	ECROU CARRE	4	\$3.39
107	5050101070	WASHER	RONDELLE	4	\$1.61
108	5050101080	HEX. BOLT	BOULON HEXAGONAL	4	\$1.78
109	5050101090	THREADED NUT	ECROU FILETE	1	\$3.74
110	5050101100	SHAFT SUPPORT	SUPPORT DE LA TIGE	2	\$4.43
111	5050101110	SPRING	RESSORT	1	\$4.43
112	5050101120	WASHER	RONDELLE	1	\$1.73
113	5050101130	SPRING PIN	GOUPILLE A RESSORT	2	\$1.67
114	5050101140	HEX. NUT	ECROU HEXAGONAL	1	\$1.61
115	5050101150	POWER CORD W/PLUG	CORDON D'ALIMENTATION AVEC FICHE	1	\$16.04
116	5050101160	MOTOR CORD	CORDON ELECTRIQUE DU MOTEUR	1	\$10.98
117	5050101170	THREADED SHAFT	TIGE FILETEE	1	\$17.19
303	5050103030	BRUSH CAP	COUVERCLE POUR BALAI	2	\$2.86
304	5050103040	CARBON BRUSH SET (2)	JEU DE BALAI AU CARBONE (2)	1	\$16.04
306	5050103060	FIELD COIL/MOTOR HOUSING ASS'Y	BOBINE D'ENTRAINEMENT A/ BOITIER	1	\$89.53
307	5050103070	PAN HD SCREW	VIS A TETE BOMBEE	4	\$2.01
309	5050103090	BALL BEARING	ROULEMENT A BILLES	1	\$10.29
312	5050103120	BALL BEARING	ROULEMENT A BILLES	1	\$12.25
318	5050103180	GEAR & BRACKET ASS'Y	ENGRENAGE ET SUPPORT ASS.	1	\$67.33
320	5050103200	STRAIN RELIEF	ATTACHE-FIL	1	\$2.59
321	5050103210	PAN HD SCREW	VIS A TETE BOMBEE	4	\$2.01
322	5050103220	SET SCREW	VIS SANS TETE	1	\$1.67
323	5050103230	BALL BEARING	ROULEMENT A BILLES	1	\$14.89
324	5050103240	BALL BEARING	ROULEMENT A BILLES	1	\$12.25
555-4	5050105554	ACCESSORY BAG (4 PIECE)	SAC DE QUINCAILLERIE (4 MORCEAUX)	1	\$18.34
555-5	5050105555	HARDWARE BAG FOR STAND	SAC DE QUINCAILLERIE POUR LE SUP.	1	\$22.94
666-6	5050106666	COMPLETE STAND ASS'Y	SUPPORT COMPLET ASSEMBLE	1	\$143.69
	505010MBIL	BILINGUAL MANUAL KC-5010	MANUEL BILINGUE KC-5010	1	\$15.00

Pricing subject to change without prior notice. / Prix sujet à changement sans préavis.

Free Manuals Download Website

<http://myh66.com>

<http://usermanuals.us>

<http://www.somanuals.com>

<http://www.4manuals.cc>

<http://www.manual-lib.com>

<http://www.404manual.com>

<http://www.luxmanual.com>

<http://aubethermostatmanual.com>

Golf course search by state

<http://golfingnear.com>

Email search by domain

<http://emailbydomain.com>

Auto manuals search

<http://auto.somanuals.com>

TV manuals search

<http://tv.somanuals.com>