



Service Manual / Manuel de Service

14" Wood Bandsaw

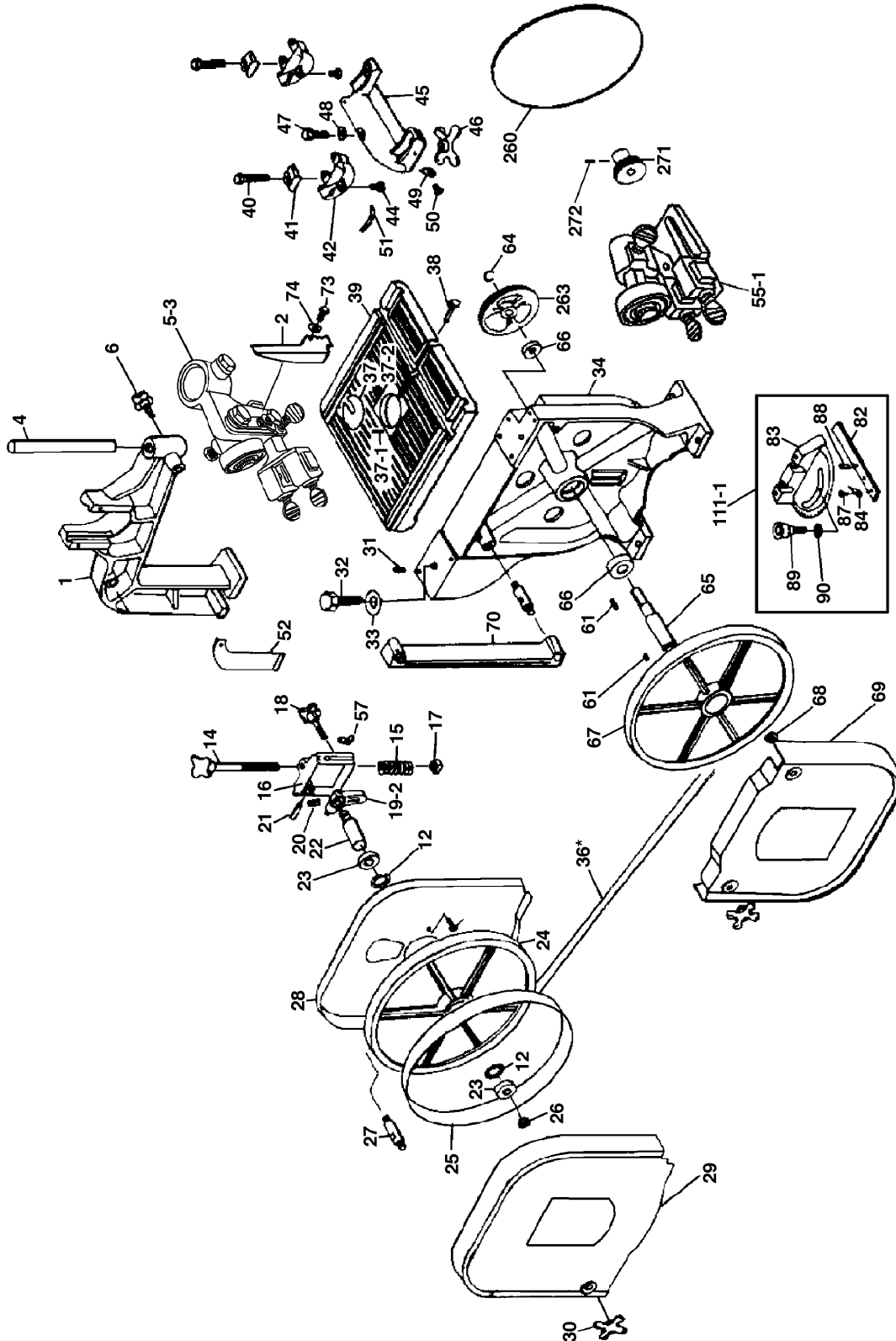
Scie à Ruban pour Bois 14"



Revised/Revisé 08/2008

Main Diagram / Diagramme Principale

KC-514B/C





Service Manual / Manuel de Service

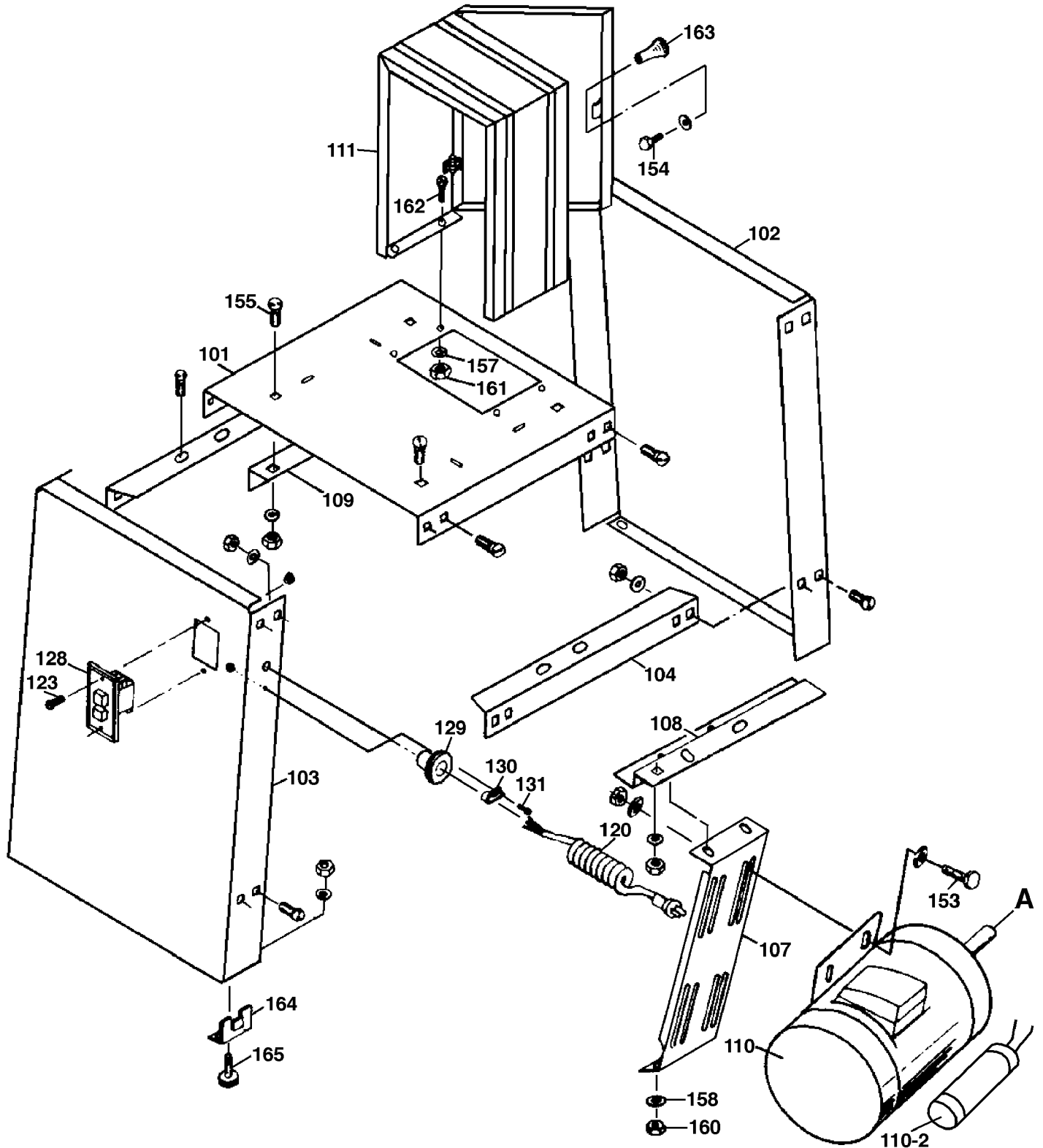
14" Wood Bandsaw Scie à Ruban pour Bois 14"



Revised/Revisé 08/2008

Stand Diagram / Diagramme du Support

KC-514B/C





Service Manual / Manuel de Service

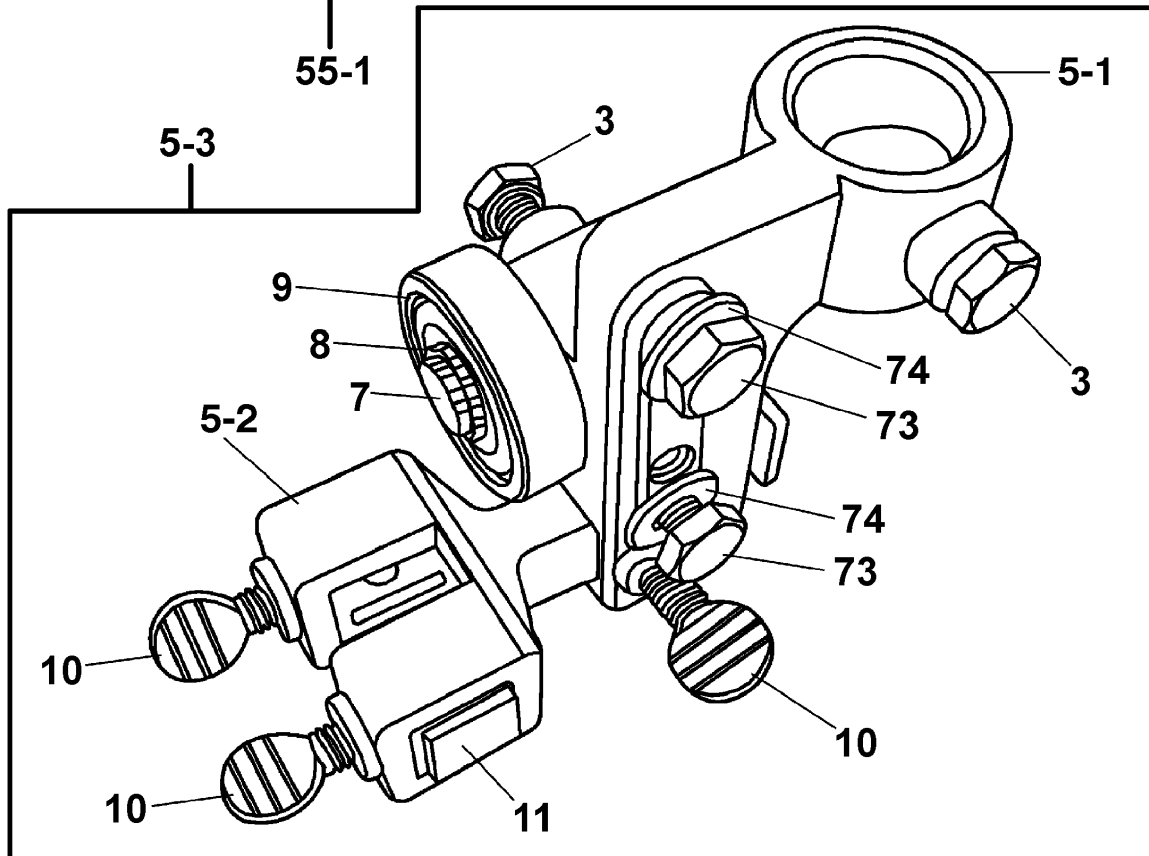
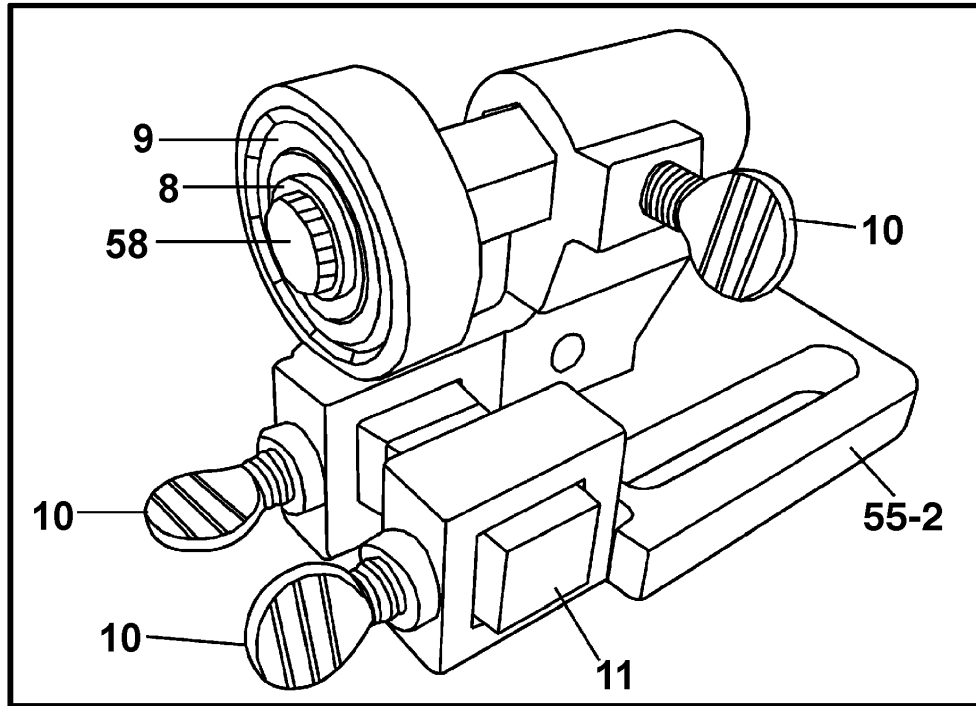
14" Wood Bandsaw
Scie à Ruban pour Bois 14"



Revised/Revisé 08/2008

Blade Guides Diagram /
Diagrammes des Guides de Lame

KC-514B/C





Parts Pricing List / Liste de Prix des Pièces

KC-514B/C

Diag.	Order # Com.	English Description	Description Française	Qty./Qté.	Price/Prix
1	1305140010	UPPER FRAME ARM	BRAS DU CHASSIS (HAUT)	1	\$143.75
2	1305140020	UPPER WHEEL SAW GUARD	GARDE-LAME A GLISSIERE	1	\$11.21
3	1305140030	HEX. BOLT	BOULON HEXAGONAL	2	\$1.67
4	1305140040	GUIDE POST	TIGE DU GUIDE	1	\$17.19
5-1	1305140051	UPPER SUPPORT BRACKET	SUPPORT GUIDE-LAME (HAUT)	1	\$18.23
5-2	1305140052	SUPPORT BRACKET UPPER GUIDE	FOURCHETTE DU GUIDE DE LAME	2	\$10.75
5-3	1305140053	COMP. UPPER BLADE GUIDE ASS'Y	GUIDE DE LAME ASSEMBLEE (HAUT)	1	\$52.73
6	1305140060	KNOB	BOUTON	1	\$4.54
7	1305140070	UPPER SPACING SLEEVE	TIGE DE ROULEMENT	2	\$6.15
8	1305140080	RETAINING RING/SHAFT	ANNEAU DE RETENU/TIGE	2	\$1.55
9	1305140090	BALL BEARING	ROULEMENT A BILLES	2	\$10.29
10	1305140100	THUMB SCREW	VIS A PAPILLON	6	\$2.47
11	1305140110	BLADE GUIDE	GUIDE DE LAME	4	\$3.39
12	1305140120	RETAINING RING/BORE	ANNEAU DE RETENU/ALESAGE	2	\$2.70
14	1305140140	BLADE ADJUSTING HANDLE	POIGNEE D'AJUSTEMENT/LAME	1	\$21.79
15	1305140150	COIL SPRING	RESSORT A COMPRESSION	1	\$4.89
16	1305140160	UPPER WHEEL SLIDING BRACKET	SUPPORT COULISSANT/ROUE HAUT	1	\$18.23
17	1305140170	SQUARE NUT	ECROU CARRE	1	\$2.59
18	1305140180	KNOB SCREW	BOUTON ET VIS	1	\$6.27
19-2	1305140192	HINGE/SHAFT ASS'Y (UP. WH.)	PENTURE/TIGE ASS. (ROUE DE HAUT)	1	\$21.10
20	1305140200	SPRING PIN	GOUPILLE A RESSORT	1	\$1.90
21	1305140210	STEEL PIN	GOUPILLE DE LA CHARNIERE	2	\$3.05
22	1305140220	UPPER WHEEL SHAFT	TIGE DE LA ROUE (HAUT)	1	\$8.45
23	1305140230	BALL BEARING	ROULEMENT A BILLES	2	\$11.44
24	1305140240	UPPER WHEEL	ROUE DU HAUT	1	\$83.95
25	1305140250	WHEEL PROTECTOR	PROTECTEUR DE ROUE	2	\$7.99
26	1305140260	WHEEL NUT	ECROU POUR LA ROUE	1	\$2.70
27	1305140270	STUD	ESPACEUR DU COUVERCLE	4	\$5.58
28	1305140280	UPPER WHEEL GUARD (INNER)	COUVERCLE ROUE INTERIEUR	1	\$48.30
29	1305140290	UPPER WHEEL GUARD (OUTER)	COUVERCLE ROUE EXTERIEUR	1	\$56.35
30	1305140300	INNER THREADED KNOB	POIGNEE FILETEE INTERIEUR	4	\$5.58
31	1305140310	DOWEL PIN	GOUPILLE A GOUJON	4	\$2.70
32	1305140320	HEX. BOLT	BOULON HEXAGONAL	1	\$3.05
33	1305140330	WASHER	RONDELLE	1	\$2.70
34	1305140340	BASE	SOCLE	1	\$304.75
36	KBB-14**	BLADE	LAME	1	-
37	1305140370	PLASTIC TABLE INSERT	INSERTION DE TABLE (PLASTIQUE)	1	\$4.20
37-1	1305140371	SPRING PIN	GOUPILLE A RESSORT	1	\$1.78
37-2	1305140372	METAL TABLE INSERT	INSERTION DE TABLE (METAL)	1	\$5.58
38	1305140380	TABLE PIN	GOUPILLE DE TABLE	1	\$3.85
39	1305140390	TABLE	TABLE	1	\$166.75
40	1305140400	HEX. BOLT	BOULON HEXAGONAL	2	\$2.19
41	1305140410	TRUNNION CLAMP SHOE	ATTACHE DE PIVOTEMENT	2	\$5.00
42	1305140420	TRUNNION	TOURILLON	2	\$14.78
44	1305140440	HEX. BOLT	BOULON HEXAGONAL	6	\$1.55
45	1305140450	TRUNNION SUPPORT BRACKET	SUPPORT DU TOURILLON	1	\$37.66
46	1305140460	KNOB NUT	POIGNEE	2	\$5.58

Pricing subject to change without prior notice. / Prix sujet à changement sans préavis.



Parts Pricing List / Liste de Prix des Pièces

KC-514B/C

Diag.	Order # Com.	English Description	Description Française	Qty./Qté.	Price/Prix
47	1305140470	HEX. BOLT	BOULON HEXAGONAL	2	\$1.90
48	1305140480	SPRING WASHER	RONDELLE A RESSORT	2	\$1.67
49	1305140490	POINTER	INDICATEUR	1	\$2.59
50	1305140500	PAN HD SCREW	VIS A TETE BOMBEE	1	\$1.67
51	1305140510	SCALE	REGLE DE MESURE	1	\$3.39
52	1305140520	ARM COVER	COUVERCLE DU BRAS	1	\$15.93
55-1	1305140551	COMP. LOWER BLADE GUIDE ASS'Y	GUIDE DE LAME ASSEMBLEE (BAS)	1	\$57.44
55-2	1305140552	BLADE GUIDE BRACKET (LOWER)	SUP. DES GUIDES DE LAME (BAS)	1	\$17.65
57	1305140570	HEX. NUT	ECROU HEXAGONAL	1	\$1.61
58	1305140580	BEARING SHAFT	TIGE DE ROULEMENT	1	\$6.15
61	1305140610	KEY	CLE DE RETENUE	2	\$1.90
64	1305140640	RETAINING RING/SHAFT	ANNEAU DE RETENU/TIGE	1	\$2.24
65	1305140650	LOWER WHEEL SHAFT	AXE DE LA ROUE DU BAS	1	\$44.79
66	1305140660	BALL BEARING	ROULEMENT A BILLES	2	\$17.19
67	1305140670	LOWER WHEEL	ROUE DU BAS	1	\$83.95
68	1305140680	SPECIAL LEFT H. BOLT	BOULON SPECIAL FILET GAUCHE	1	\$3.28
69	1305140690	LOWER WHEEL GUARD	COUVERCLE DE LA ROUE DU BAS	1	\$56.35
70	1305140700	BLADE GUARD	GARDE-LAME	1	\$12.48
73	1305140730	HEX. BOLT	BOULON HEXAGONAL	2	\$1.61
74	1305140740	WASHER	RONDELLE	2	\$1.55
82	1305140820	MITER GAUGE BAR	TIGE DU GUIDE A ONGLETS	1	\$8.45
83	1305140830	MITER GAUGE BODY	BOITIER DU GUIDE A ONGLETS	1	\$12.48
84	1305140840	POINTER	INDICATEUR	1	\$2.59
87	1305140870	PAN HD SCREW	VIS A TETE BOMBEE	1	\$1.50
88	1305140880	SPRING PIN	GOUPILLE A RESSORT	1	\$1.78
89	1305140890	KNOB	BOUTON	1	\$2.93
90	1305140900	WASHER	RONDELLE	1	\$1.61
101	1305141010	STAND TOP PLATE	PLAQUE DU DESSUS DU SUPPORT	1	\$28.46
102	1305141020	STAND LEG (A)	JAMBAGE (A)	1	\$34.10
103	1305141030	STAND LEG (B)	JAMBAGE (B)	1	\$34.10
104	1305141040	STIFFENING BRACKET	SUPPORT DE RENFORCEMENT	2	\$10.29
107	1305141070	MOTOR FASTENING PLATE	PLAQUE SUPPORT DU MOTEUR	1	\$22.60
108	1305141080	ANGLE STIFFENING BRACKET	SUPPORT DE RENFOR. EN ANGLE	1	\$10.75
109	1305141090	MOTOR PLATE BRACKET	SUPPORT DE LA PLAQUE DU MOTEUR	1	\$10.29
110	1305141100	MOTOR	MOTEUR	1	\$281.75
110-2	1305141102	STARTING CAPACITOR	CONDENSATEUR DE DEMARRAGE	1	\$38.93
111	1305141110	PULLEY BOX	BOITE DE LA POULIE	1	\$34.21
111-1	1305141111	COMPLETE MITER GAUGE ASS'Y	GUIDE A ONGLETS COMPLET ASS.	1	\$27.54
120	1305141200	POWER CORD	CORDON D'ALIMENTATION	1	\$22.94
123	1305141230	PAN HD SCREW	VIS A TETE BOMBEE	2	\$1.67
128	1305141280	SWITCH (4 PRONG)	INTERRUPTEUR (4 PATTES)	1	\$11.49
129	1305141290	PROTECTIVE BUSHING	BAGUE DE PROTECTION	1	\$2.70
130	1305141300	CORD HOLDER	ATTACHE-CORDON	1	\$2.13
131	1305141310	PAN HD SCREW	VIS A TETE BOMBEE	1	\$1.55
153	1305141530	HEX. BOLT	BOULON HEXAGONAL	4	\$1.78
154	1305141540	HEX. BOLT	BOULON HEXAGONAL	4	\$1.67
155	1305141550	CARRIAGE BOLT	BOULON A CARROSSERIE	28	\$1.90

Pricing subject to change without prior notice. / Prix sujet à changement sans préavis.



Parts Pricing List / Liste de Prix des Pièces

KC-514B/C

Diag.	Order # Com.	English Description	Description Française	Qty./Qté.	Price/Prix
157	1305141570	TOOTH WASHER	RONDELLE DENTELEE	4	\$1.67
158	1305141580	WASHER	RONDELLE	49	\$1.61
160	1305141600	HEX. NUT	ECROU HEXAGONAL	1	\$1.61
161	1305141610	HEX. NUT	ECROU HEXAGONAL	4	\$1.55
162	1305141620	PAN HD SCREW	VIS A TETE BOMBEE	4	\$1.67
163	1305141630	COVER KNOB	BOUTON DU COUVERCLE	1	\$3.16
164	1305141640	"L" SHAPED FIXED PLATE	PLAQUE DE RETENUE	4	\$3.05
165	1305141650	ADJUSTING FOOT	PIED D'AJUSTEMENT	4	\$2.59
260	1305142600	V-BELT	COURROIE EN "V"	1	\$15.81
263	1305142630	PULLEY	POULIE	1	\$29.73
271	1305142710	MOTOR PULLEY	POULIE DU MOTEUR	1	\$17.19
272	1305142720	SET SCREW	VIS SANS TETE	1	\$1.55
	130514MENG	ENGLISH MANUAL KC-514B/C	MANUEL ANGLAIS KC-514B/C	1	\$15.00
	130514MFRE	FRENCH MANUAL KC-514B/C	MANUEL FRANCAIS KC-514B/C	1	\$15.00

Pricing subject to change without prior notice. / Prix sujet à changement sans préavis.

Free Manuals Download Website

<http://myh66.com>

<http://usermanuals.us>

<http://www.somanuals.com>

<http://www.4manuals.cc>

<http://www.manual-lib.com>

<http://www.404manual.com>

<http://www.luxmanual.com>

<http://aubethermostatmanual.com>

Golf course search by state

<http://golfingnear.com>

Email search by domain

<http://emailbydomain.com>

Auto manuals search

<http://auto.somanuals.com>

TV manuals search

<http://tv.somanuals.com>