



Service Manual / Manuel de Service

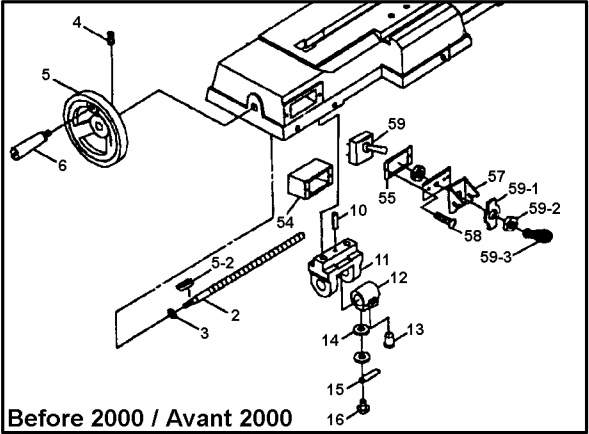
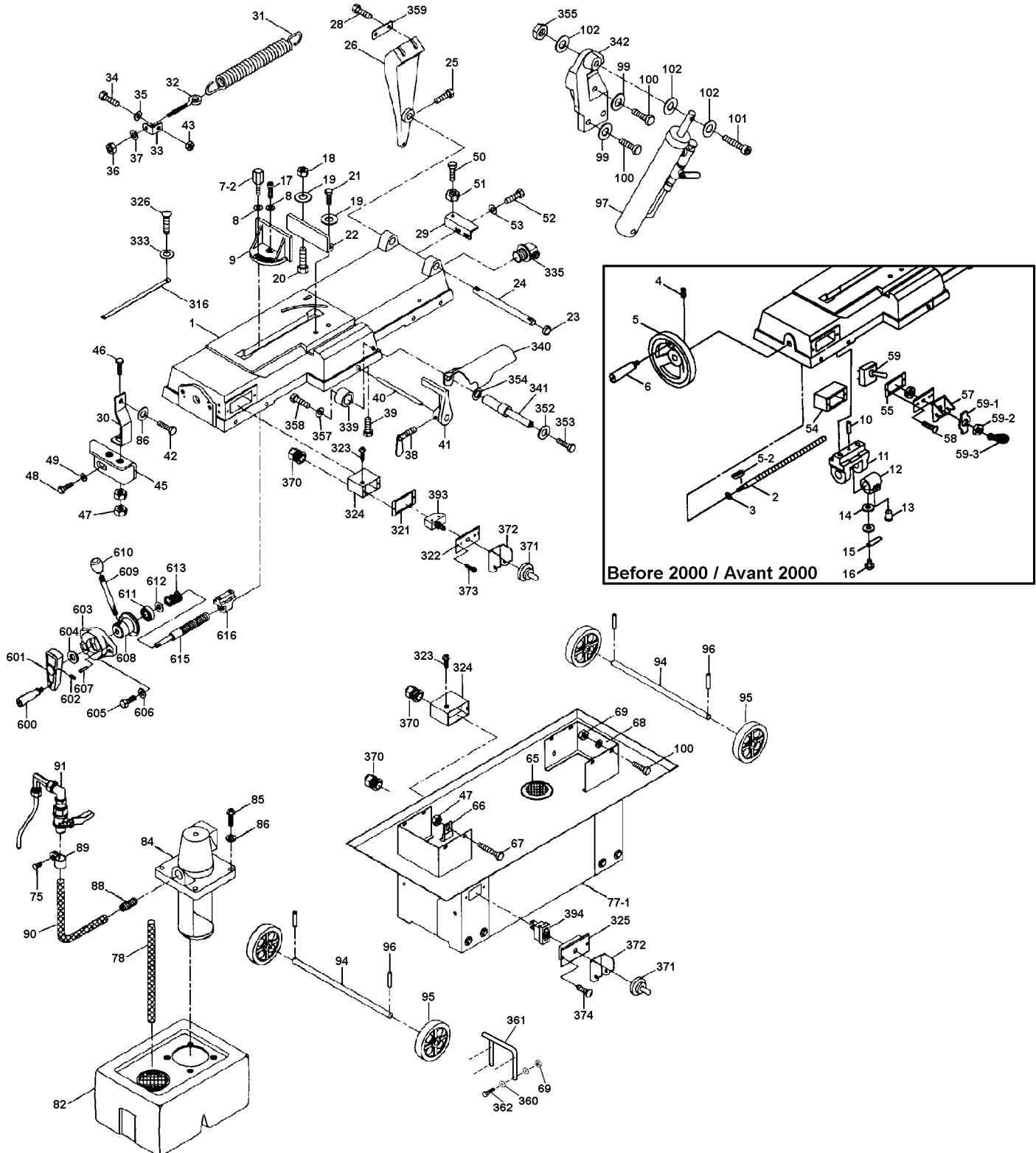
7" x 12" Metal Cutting Bandsaw Scie à Ruban 7" x 12" pour Métal



Revised/Revisé 08/2008

Table and Base Diagram / Diagramme de la Table et de la Base

KC-712BC





Service Manual / Manuel de Service

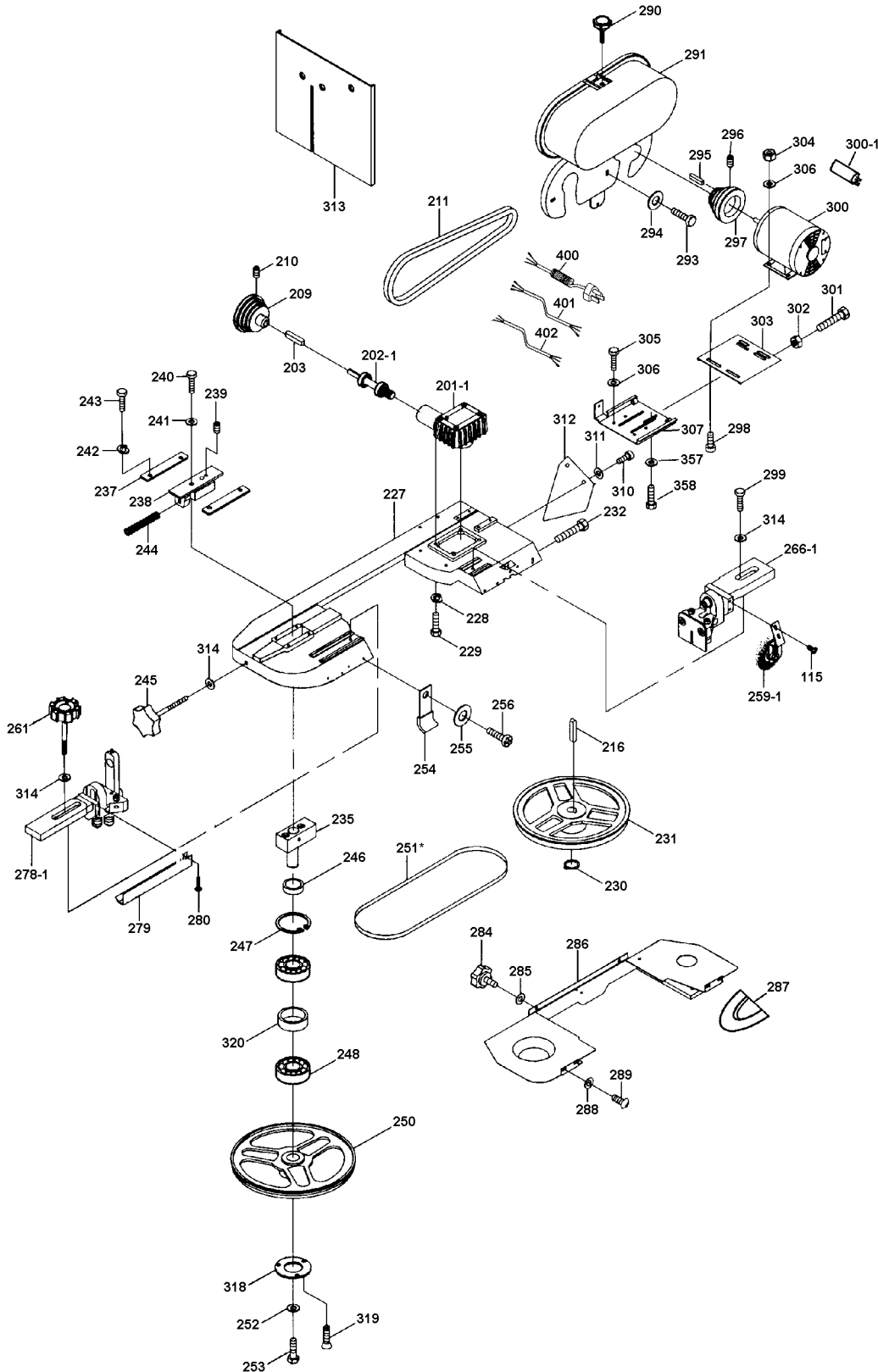
7" x 12" Metal Cutting Bandsaw Scie à Ruban 7" x 12" pour Métal



Revised/Revisé 08/2008

Head Diagram / Diagramme de la Tête

KC-712BC





Service Manual / Manuel de Service

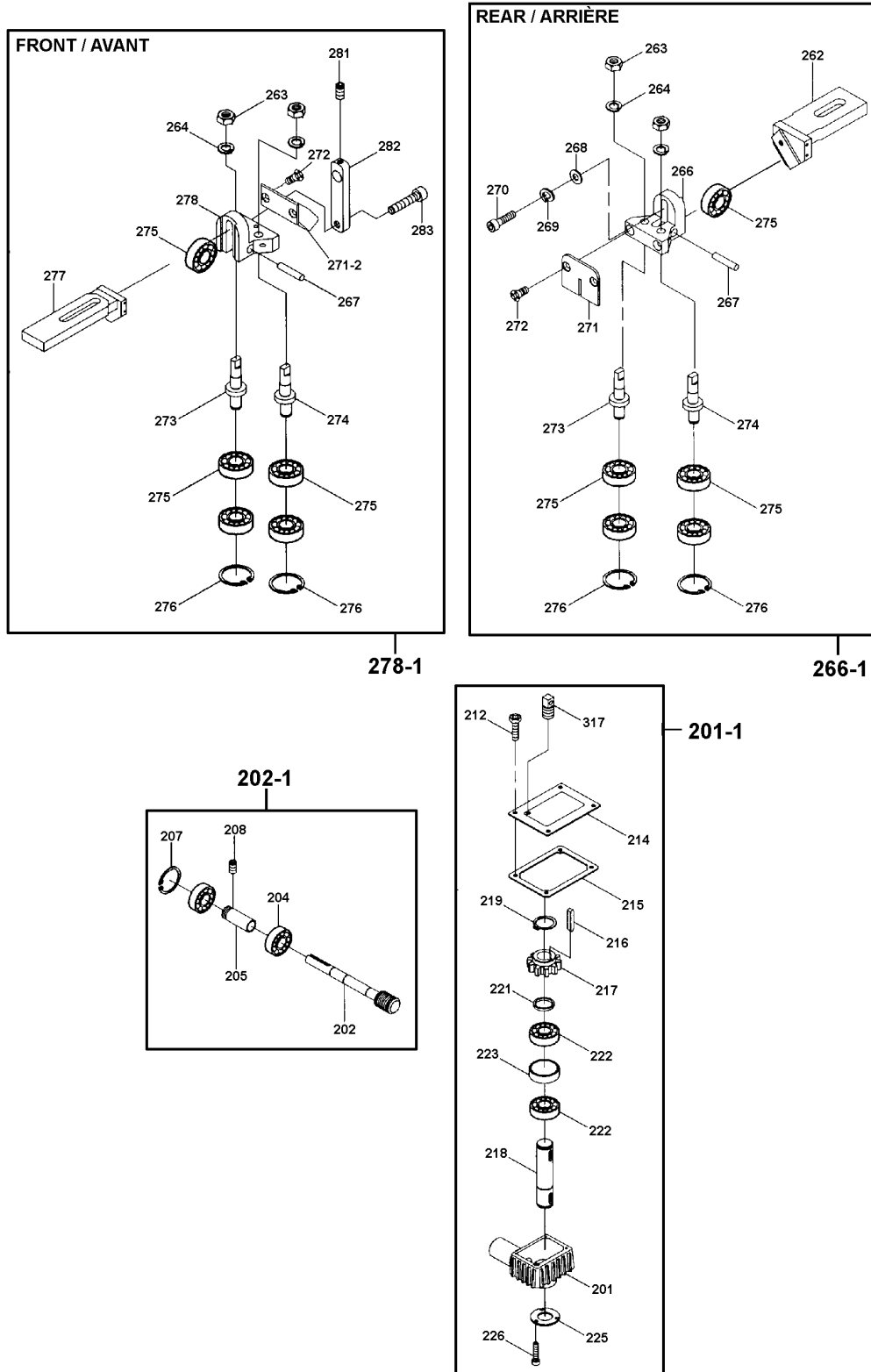
7" x 12" Metal Cutting Bandsaw Scie à Ruban 7" x 12" pour Métal



Revised/Revisé 08/2008

Gear & Bracket Diagram / Diagramme des Engrenages et des Supports

KC-712BC





Parts Pricing List / Liste de Prix des Pièces **KC-712BC**

Diag.	Order # Com.	English Description	Description Française	Qty./Qté.	Price/Prix
1	1277120010	CAST IRON TABLE	TABLE EN FONTE	1	\$569.25
2	1277120020	ACME SCREW (PRE 2000)	TIGE VISSEE "ACME" (AVANT 2000)	1	\$67.56
3	1277120030	WASHER (PRE 2000)	RONDELLE (AVANT 2000)	1	\$1.67
4	1277120040	SET SCREW (PRE 2000)	VIS SANS TETE (AVANT 2000)	1	\$1.67
5	1277120050	HANDWHEEL (PRE 2000)	MANIVELLE (AVANT 2000)	1	\$38.70
5-2	1277120052	KEY (PRE 2000)	CLE DE RETENUE (AVANT 2000)	1	\$1.90
6	1277120060	HANDLE (PRE 2000)	POIGNEE/MANIVELLE (AVANT 2000)	1	\$12.59
7-2	1277120072	HEX. BOLT	BOULON HEXAGONAL	1	\$28.69
8	1277120080	WASHER	RONDELLE	2	\$1.67
9	1277120090	WISE JAW BRACKET (FRONT)	MACHOIRE DE L'ETAU (AVANT)	1	\$67.45
10	1277120100	SPRING PIN (PRE 2000)	GOUPILLE A RESSORT (AVANT 2000)	1	\$1.90
11	1277120110	BRACKET (PRE 2000)	SUPPORT DE L'ECROU (AVANT 2000)	1	\$39.96
12	1277120120	ACME NUT (PRE 2000)	ECROU RAPIDE (AVANT 2000)	1	\$32.60
13	1277120130	LOCKING BUTTON (PRE 2000)	BOULTON DE VERROU. (AVANT 2000)	1	\$5.00
14	1277120140	SPRING WASHER (PRE 2000)	RONDELLE A RESSORT (AVANT 2000)	1	\$1.55
15	1277120150	RETAINER (PRE 2000)	PLAQUE DE RETENUE (AVANT 2000)	1	\$3.39
16	1277120160	PAN HEAD SCREW (PRE 2000)	VIS A TETE BOMBEE (AVANT 2000)	1	\$1.55
17	1277120170	HEX. BOLT	BOULON HEXAGONAL	1	\$2.13
18	1277120180	HEX. NUT	ECROU HEXAGONAL	1	\$1.67
19	1277120190	WASHER	RONDELLE	2	\$1.90
20	1277120200	CARRIAGE BOLT	BOULON DE CARROSSERIE	1	\$3.05
21	1277120210	HEX. BOLT	BOULON HEXAGONALE	1	\$2.59
22	1277120220	WISE JAW BRACKET (REAR)	MACHOIRE DE L'ETAU (ARRIERE)	1	\$90.68
23	1277120230	BUSHING	ESPACEUR	1	\$7.30
24	1277120240	SUPPORT ROD	TIGE DE SUPPORT	1	\$27.54
25	1277120250	HEX. BOLT	BOULON HEXAGONAL	1	\$1.90
26	1277120260	PIVOT BRACKET	SUPPORT DE PIVOTEMENT	1	\$107.81
28	1277120280	HEX. BOLT	BOULON HEXAGONALE	2	\$2.13
29	1277120290	SUPPORT PLATE	PLAQUE DE SUPPORT	1	\$10.75
30	1277120300	FIX PLATE	PLAQUE FIXE	1	\$11.33
31	1277120310	EXTENSION SPRING	RESSORT A EXTENSION	1	\$68.94
32	1277120320	SPRING TENSION SCREW	OEILLET DE TENSION POUR RESSORT	1	\$10.75
33	1277120330	SPRING SCREW BRACKET	SUPPORT POUR OEILLET DU RESSORT	1	\$5.00
34	1277120340	HEX. BOLT	BOULON HEXAGONAL	1	\$1.73
35	1277120350	WASHER	RONDELLE	1	\$1.61
36	1277120360	HEX. NUT	ECROU HEXAGONAL	1	\$1.61
37	1277120370	WASHER	RONDELLE	1	\$1.84
38	1277120380	THUMB SCREW	VIS A AILETTE	1	\$5.58
39	1277120390	HEX. BOLT	BOULON HEXAGONAL	1	\$1.90
40	1277120400	STOCK STOP ROD	TIGE DU SUPPORT D'ARRET	1	\$11.44
41	1277120410	STOP BLOCK	SUPPORT D'ARRET	1	\$16.96
42	1277120420	HEX. BOLT W/WASHER	BOULON HEXAGONAL A/RONDELLE	1	\$2.01
43	1277120430	HEX. NUT	ECROU HEXAGONAL	1	\$1.55
45	1277120450	SUPPORT PLATE	PLAQUE DE SUPPORT	1	\$11.44
46	1277120460	HEX. BOLT	BOULON HEXAGONAL	1	\$2.59
47	1277120470	HEX. NUT	ECROU HEXAGONAL	3	\$1.61
48	1277120480	HEX. BOLT	BOULON HEXAGONAL	2	\$1.73

Pricing subject to change without prior notice. / Prix sujet à changement sans préavis.



Parts Pricing List / Liste de Prix des Pièces **KC-712BC**

Diag.	Order # Com.	English Description	Description Française	Qty./Qté.	Price/Prix
49	1277120490	WASHER	RONDELLE	2	\$1.61
50	1277120500	HEX. BOLT	BOULON HEXAGONAL	1	\$2.59
51	1277120510	HEX. NUT	ECROU HEXAGONAL	1	\$1.61
52	1277120520	HEX. BOLT	BOULON HEXAGONAL	2	\$1.73
53	1277120530	WASHER	RONDELLE	2	\$1.61
55	1277120550	RUBBER PLATE (PRE 2000)	JOINT D'ETANCHEITE (AVANT 2000)	1	\$4.43
57	1277120570	SWITCH SAFETY BRACKET (PRE 2000)	GARDE DE SECURITE (AVANT 2000)	1	\$4.54
58	1277120580	PAN HEAD SCREW (PRE 2000)	VIS A TETE BOMBEE (AVANT 2000)	2	\$1.55
59	1277120590	TOGGLE SWITCH (PRE 2000)	INTERR. A BASCULE (AVANT 2000)	1	\$25.24
59-1	1277120591	INDICATING PLATE (PRE 2000)	PLAQUE INDICATRICE (AVANT 2000)	1	\$2.82
59-2	1277120592	RETAINING NUT (PRE 2000)	ECROU DE RETENU (AVANT 2000)	2	\$2.70
59-3	1277120593	TOGGLE SWITCH CAP (PRE 2000)	CAPUCHON PROTECTEUR (AVANT 2000)	1	\$5.69
65	1277120650	FILTER/SCREEN	FILTRE/PASSOIRE	1	\$11.33
66	1277120660	SWITCH CUT-OFF TIP	PLAQUE D'ARRET DE L'INTERRUPTEUR	1	\$4.54
67	1277120670	HEX. BOLT	BOULON HEXAGONAL	8	\$1.90
68	1277120680	WASHER	RONDELLE	8	\$1.73
69	1277120690	HEX. NUT	ECROU HEXAGONAL	12	\$1.55
75	1277120750	PAN HD SCREW	VIS A TETE BOMBEE	2	\$1.55
77-1	1277120771	COMPLETE BASE ASS'Y (SPEC. ORD.)	SOCLE COMPLET ASS. (COMM. SPEC.)	1	\$569.25
78	1277120780	VINYL HOSE	BOYAU EN VYNILE	1	\$11.44
82	1277120820	COOLANT TANK	RESERVOIR DU LIQUIDE	1	\$87.23
84	1277120840	COOLANT PUMP 110/220V	POMPE A LIQUIDE REFROID. 110/220V	1	\$332.35
85	1277120850	PAN HD SCREW	VIS A TETE RONDE	4	\$1.67
86	1277120860	WASHER	RONDELLE	5	\$1.55
88	1277120880	HOSE FITTING	ADAPTATEUR DE BOYAU	1	\$10.18
89	1277120890	HOSE CLIP	ATTACHE BOYAU	2	\$2.59
90	1277120900	VINYL HOSE	BOYAU RENFORCE EN VINYLE	1	\$26.28
91	1277120910	VALVE AND FITTING ASS'Y	SOUPAPE ET RACCORD ASSEMBLE	1	\$45.48
94	1277120940	STAND WHEEL ROD	TIGE POUR ROUES DU SOCLE	2	\$21.68
95	1277120950	STAND WHEEL	ROUE DU SOCLE	4	\$17.19
96	1277120960	COTTER PIN	GOUPILLE FENDUE	4	\$2.59
97	1277120970	COMPLETE CYLINDER ASS'Y	CYLINDRE COMPLET ASSEMBLE	1	\$309.35
99	1277120990	WASHER	RONDELLE	3	\$1.61
100	1277121000	HEX. BOLT	BOULON HEXAGONAL	7	\$1.73
101	1277121010	CAP SCREW	BOULON A TETE CYLINDRIQUE	1	\$2.47
102	1277121020	WASHER	RONDELLE	3	\$1.73
115	1277121150	PAN HD SCREW	VIS A TETE BOMBEE	1	\$1.55
201	1277122010	GEAR BOX HOUSING	BOITIER DE LA BOITE D'ENGRENAGE	1	\$107.93
201-1	1277122011	COMP. GEAR BOX ASS'Y (SPEC. ORD.)	BOITE D'ENGR. COMP. (COMM. SPEC.)	1	\$316.25
202	1277122020	WORM SHAFT	TIGE A VIS SANS FIN	1	\$80.44
202-1	1277122022	WORM GEAR SHAFT ASS'Y	TIGE D'ENGRENAGE SANS FIN ASS.	1	\$130.93
203	1277122030	KEY	CLE DE RETENUE	1	\$1.78
204	1277122040	BALL BEARING	ROULEMENT A BILLES	2	\$12.59
205	1277122050	BEARING BUSHING	ESPACEUR DE ROULEMENT	1	\$21.79
207	1277122070	RETAINING RING/SHAFT	ANNEAU DE RETENU/TIGE	1	\$1.55
208	1277122080	SET SCREW	VIS SANS TETE	1	\$1.78
209	1277122090	PULLEY FOR GEAR BOX	POULIE DU BOITIER D'ENGRENAGE	1	\$80.44

Pricing subject to change without prior notice. / Prix sujet à changement sans préavis.



Parts Pricing List / Liste de Prix des Pièces **KC-712BC**

Diag.	Order # Com.	English Description	Description Française	Qty./Qté.	Price/Prix
210	1277122100	SET SCREW	VIS SANS TETE	2	\$1.55
211	1277122110	V-BELT	COURROIE EN "V"	1	\$9.83
212	1277122120	HEX. BOLT W/WASHER	BOULON HEXAGONAL A/RONDELLE	4	\$2.01
214	1277122140	HOUSING COVER	COUVERCLE DU BOITIER	1	\$10.75
215	1277122150	COVER GASKET	JOINT D'ETANCHEITE DU COUV.	1	\$6.73
216	1277122160	KEY	CLE DE RETENUE	2	\$2.01
217	1277122170	WORM GEAR	ENGRENAGE SANS FIN	1	\$57.44
218	1277122180	TRANSMISSION SHAFT	ARBRE DE TRANSMISSION	1	\$44.45
219	1277122190	RETAINING RING/SHAFT	ANNEAU DE RETENU/TIGE	1	\$2.24
221	1277122210	BUSHING	BAGUE	1	\$6.04
222	1277122220	BALL BEARING	ROULEMENT A BILLES	2	\$33.29
223	1277122230	BEARING BUSHING	BAGUE DU ROULEMENT	1	\$7.30
225	1277122250	BEARING COVER	COUVERCLE DE ROULEMENT	1	\$9.14
226	1277122260	PAN HD SCREW	VIS A TETE BOMBEE	3	\$1.55
227	1277122270	WHEEL BODY FRAME	BRAS PRINCIPAL DES ROUES	1	\$500.25
228	1277122280	SPRING WASHER	RONDELLE A RESSORT	4	\$1.55
229	1277122290	HEX. BOLT	BOULON HEXAGONAL	4	\$2.13
230	1277122300	RETAINING RING/SHAFT	ANNEAU DE RETENU/TIGE	1	\$2.24
231	1277122310	DRIVE BLADE WHEEL	ROUE DE COMMANDEMENT	1	\$100.91
232	1277122320	HEX. BOLT	BOULON HEXAGONAL	1	\$1.90
235	1277122350	WHEEL SHAFT ASS'Y	TIGE DE LA ROUE ASSEMBLEE	1	\$34.33
237	1277122370	SLIDING PLATE	PLAQUE COULISSANTE	2	\$7.53
238	1277122380	TENSION SLIDING BLOCK	BLOC DE TENSION COULISSANT	1	\$45.71
239	1277122390	SET SCREW	VIS SANS TETE	1	\$2.13
240	1277122400	HEX. BOLT	BOULON HEXAGONAL	2	\$1.90
241	1277122410	WASHER	RONDELLE	2	\$1.61
242	1277122420	SPRING WASHER	RONDELLE A RESSORT	4	\$1.67
243	1277122430	HEX. BOLT	BOULON HEXAGONAL	4	\$1.90
244	1277122440	COMPRESSION SPRING	RESSORT A COMPRESSION	1	\$6.84
245	1277122450	BLADE TENSION KNOB	POIGNEE DE TENSION DE LA LAME	1	\$17.54
246	1277122460	BEARING BUSHING	BAGUE DU ROULEMENT	1	\$4.89
247	1277122470	RETAINER RING/BORE	ANNEAU DE RETENU/ALESAGE	1	\$2.47
248	1277122480	BALL BEARING	ROULEMENT A BILLES	2	\$11.44
250	1277122500	IDLER BLADE WHEEL	ROUE FOLLE	1	\$96.54
251	KBB-712	BLADE	LAME	1	-
252	1277122520	WASHER	RONDELLE	1	\$1.73
253	1277122530	HEX. BOLT	BOULON HEXAGONAL	1	\$1.73
254	1277122540	SWITCH CUT-OFF TIP	PLAQUE D'ARRET DE L'INTERR.	1	\$5.69
255	1277122550	WASHER	RONDELLE	1	\$1.55
256	1277122560	HEX. BOLT W/WASHER	BOULON HEXAGONAL A/RONDELLE	1	\$2.01
259-1	1277122591	ROUND BRUSH & BRACKET ASS'Y	BROSSE RONDE ET SUPPORT ASS.	1	\$78.03
261	1277122610	GUIDE ADJUSTMENT KNOB	POIGNEE D'AJUSTEMENT DU GUIDE	1	\$8.45
262	1277122620	ADJUSTABLE BRACKET (REAR)	SUPPORT AJUSTABLE (ARRIERE)	1	\$38.93
263	1277122630	HEX. NUT	ECROU HEXAGONAL	4	\$1.61
264	1277122640	SPRING WASHER	RONDELLE A RESSORT	4	\$1.55
266	1277122660	BEARING ADJUST. BRACKET (REAR)	SUPPORT AJUST./ROULEMENTS (ARR.)	1	\$26.28
266-1	1277122661	BEARING ADJ. BRACKET ASS'Y	SUPP. AJUST./ROULEMENTS ASS. (ARR.)	1	\$91.83

Pricing subject to change without prior notice. / Prix sujet à changement sans préavis.



Parts Pricing List / Liste de Prix des Pièces **KC-712BC**

Diag.	Order # Com.	English Description	Description Française	Qty./Qté.	Price/Prix
267	1277122670	BEARING PIN	GOUPILLE POUR ROULEMENT	2	\$5.46
268	1277122680	WASHER	RONDELLE	1	\$1.61
269	1277122690	SPRING WASHER	RONDELLE A RESSORT	1	\$1.67
270	1277122700	CAP SCREW	BOULON A TETE CYLINDRIQUE	1	\$1.90
271	1277122710	DEFLECTOR PLATE (BACK)	PLAQUE DEFLECTRICE (ARRIERE)	1	\$6.15
271-2	1277122712	DEFLECTOR PLATE (FRONT)	PLAQUE DEFLECTRICE (AVANT)	1	\$29.84
272	1277122720	COUNTERSUNK HD SCREW	VIS A TETE FRAISEE	4	\$1.67
273	1277122730	BEARING SHAFT	TIGE DES ROULEMENTS	2	\$12.25
274	1277122740	BEARING ECCENTRIC SHAFT	TIGE EXCENTRIQUE/ROULEMENTS	2	\$13.74
275	1277122750	BALL BEARING	ROULEMENT A BILLES	10	\$12.59
276	1277122760	RETAINING RING/SHAFT	ANNEAU DE RETENU/TIGE	4	\$1.50
277	1277122770	ADJUSTABLE BRACKET (FRONT)	SUPPORT AJUSTABLE (AVANT)	1	\$57.10
278	1277122780	BEARING ADJ. BRACKET (FRONT)	SUPPORT AJUST./ROULEMENTS (AV.)	1	\$26.28
278-1	1277122781	BEARING ADJ. BRACKET ASS. (FRONT)	SUPP. AJUST./ROULEMENTS ASS. (AV.)	1	\$87.34
279	1277122790	BLADE GUIDE PROTECTOR (FRONT)	PROTEGE LAME DU GUIDE (AVANT)	1	\$10.29
280	1277122800	PAN HD SCREW	VIS TETE BOMBEE	2	\$1.67
281	1277122810	SET SCREW	VIS SANS TETE	1	\$1.55
282	1277122820	NOZZLE COCK SUPPORT	SUPP. DU JET DU LIQUIDE DE COUPE	1	\$11.44
283	1277122830	CAP SCREW	BOULON A TETE CYLINDRIQUE	1	\$1.90
284	1277122840	LOCKING KNOB	BOUTON DE VERROUILLAGE	2	\$5.69
285	1277122850	WASHER	RONDELLE	2	\$1.55
286	1277122860	BLADE BACK COVER	COUVERCLE DE LA LAME (ARRIERE)	1	\$132.25
287	1277122870	WHEEL COVER	COUVERCLE DE ROUE	1	\$56.06
288	1277122880	WASHER	RONDELLE	4	\$1.55
289	1277122890	PAN HD SCREW	VIS A TETE BOMBEE	4	\$1.67
290	1277122900	LOCK KNOB	BOUTON DE SERRAGE	1	\$3.74
291	1277122910	PULLEY COVER	COUVERCLE DES POULIES	1	\$57.10
293	1277122930	HEX. BOLT W/WASHER	BOULON HEXAGONAL A/RONDELLE	2	\$2.01
294	1277122940	WASHER	RONDELLE	2	\$1.55
295	1277122950	KEY	CLE DE RETENUE	1	\$2.13
296	1277122960	SET SCREW	VIS SANS TETE	1	\$1.67
297	1277122970	MOTOR PULLEY	POULIE DU MOTEUR	1	\$45.71
298	1277122980	CARRIAGE BOLT	BOULON A CARROSSERIE	4	\$2.13
299	1277122990	HEX. BOLT	BOULON HEXAGONAL	4	\$2.13
300	1277123000	MOTOR	MOTEUR	1	\$385.25
300-1	1277123001	STARTING CAPACITOR	CONDENSATEUR DE DEMARRAGE	1	\$45.94
301	1277123010	HEX. BOLT	BOULON HEXAGONAL	2	\$2.13
302	1277123020	HEX. NUT	ECROU HEXAGONAL	2	\$1.55
303	1277123030	MOTOR MOUNT PLATE	PLAQUE DE MONTAGE DU MOTEUR	1	\$34.21
304	1277123040	HEX. NUT	ECROU HEXAGONAL	4	\$1.55
305	1277123050	HEX. BOLT	BOULON HEXAGONAL	4	\$1.73
306	1277123060	WASHER	RONDELLE	8	\$1.73
307	1277123070	MOTOR MOUNT BRACKET	SUPPORT DE MONTAGE DU MOTEUR	1	\$44.45
310	1277123100	HEX. BOLT W/WASHER	BOULON HEXAGONAL A/RONDELLE	2	\$2.01
311	1277123110	WASHER	RONDELLE	2	\$1.55
312	1277123120	SUPPORT PLATE	PLAQUE DE SUPPORT	1	\$9.95
313	1277123130	VERTICAL CUTTING TABLE	TABLE DE COUPE VERTICALE	1	\$41.00

Pricing subject to change without prior notice. / Prix sujet à changement sans préavis.



Parts Pricing List / Liste de Prix des Pièces **KC-712BC**

Diag.	Order # Com.	English Description	Description Française	Qty./Qté.	Price/Prix
314	1277123140	WASHER	RONDELLE	5	\$1.67
316	1277123160	SCALE	REGLE DE MESURE	1	\$9.60
317	1277123170	VENT PLUG	BOUCHON D'AERATION	1	\$4.20
318	1277123180	BEARING COVER	COUVERCLE DE ROULEMENT	1	\$7.53
319	1277123190	COUNTERSUNK HD SCREW	VIS A TETE FRAISEE	3	\$1.55
320	1277123200	BEARING BUSHING	BAGUE DU ROULEMENT	1	\$7.99
321	1277123210	RUBBER PLATE	PLAQUE EN JOINT D'ETANCHEITE	1	\$4.43
322	1277123220	ELECTRICAL BOX COVER (PLASTIC)	COUV. DE LA BOITE ELECT. (PLAS.)	1	\$6.50
323	1277123230	PAN HD SCREW	VIS A TETE BOMBEE	4	\$1.50
324	1277123240	ELECTRICAL SWITCH BOX (PLASTIC)	BOITE ELECT. DE L'INTERR. (PLAS.)	2	\$6.84
325	1277123250	ELECTRICAL BOX COVER (PLASTIC)	COUV. DE LA BOITE ELECT. (PLAS.)	1	\$6.84
326	1277123260	PAN HD SCREW	VIS A TETE BOMBEE	2	\$1.55
333	1277123330	WASHER	RONDELLE	2	\$1.55
335	1277123350	STRAIN RELIEF	ATTACHE FIL	1	\$2.59
339	1277123390	BUSHING	BAGUE	1	\$9.03
340	1277123400	CYLINDER GUARD	GARDE PROTECTEUR DU CYLINDRE	1	\$25.13
341	1277123410	CYLINDER LOWER SHAFT	TIGE DU BAS POUR CYLINDRE	1	\$25.13
342	1277123420	CYLINDER UPPER BRACKET	SUPPORT DU HAUT POUR CYLINDRE	1	\$37.89
352	1277123520	WASHER	RONDELLE	3	\$1.61
353	1277123530	HEX. BOLT	BOULON HEXAGONAL	3	\$1.61
354	1277123540	WASHER	RONDELLE	1	\$2.93
355	1277123550	HEX. NUT	ECROU HEXAGONAL	1	\$1.61
357	1277123570	WASHER	RONDELLE	2	\$1.73
358	1277123580	HEX. BOLT	BOULON HEXAGONAL	2	\$1.73
359	1277123590	FIXING PLATE	PLAQUE DE FIXATION	1	\$13.74
360	1277123600	WASHER	RONDELLE	12	\$1.55
361	1277123610	CARRYING HANDLE	POIGNEE DE TRANSPORT	1	\$45.94
362	1277123620	HEX. BOLT	BOULON HEXAGONAL	4	\$1.90
370	1277123700	STRAIN RELIEF	ATTACHE FIL	5	\$2.59
371	1277123710	RUBBER PROTECTOR	PROTECTEUR EN CAOUTCHOUC	2	\$5.69
372	1277123720	SWITCH SAFETY BRACKET	GARDE DE SECURITE POUR INTERR.	2	\$4.54
373	1277123730	PAN HD SCREW	VIS A TETE BOMBEE	4	\$1.55
374	1277123740	SCREW	VIS	4	\$1.55
393	1277123930	TOGGLE SWITCH	INTERRUPTEUR A BASCULE	1	\$25.24
394	1277123940	TOGGLE SWITCH	INTERRUPTEUR A BASCULE	1	\$18.11
400	1277124000	POWER CORD	CORDON D'ALIMENTATION	1	\$27.54
401	1277124010	MOTOR CORD	CORDON DU MOTEUR	1	\$23.98
402	1277124020	SWITCH PUMP WIRE	FIL D'INTERRUPTEUR DE LA POMPE	1	\$34.44
600	1277126000	CRANK HANDLE	POIGNEE DE L'EXCENTRIQUE	1	\$12.59
601	1277126010	CRANK ARM	BRAS EXCENTRIQUE	1	\$32.03
602	1277126020	SET SCREW	VIS SANS TETE	1	\$1.67
603	1277126030	CRANK ARM BRACKET	SUPPORT DU BRAS EXCENTRIQUE	1	\$63.19
604	1277126040	WASHER	RONDELLE	1	\$1.90
605	1277126050	HEX. BOLT	BOULON HEXAGONAL	2	\$2.13
606	1277126060	WASHER	RONDELLE	2	\$1.67
607	1277126070	SPRING PIN	GOUPILLE A RESSORT	1	\$2.13
608	1277126080	PRESSURE FLANGE	BRIDE DE PRESSION	1	\$57.44

Pricing subject to change without prior notice. / Prix sujet à changement sans préavis.



Parts Pricing List / Liste de Prix des Pièces **KC-712BC**

Diag.	Order # Com.	English Description	Description Française	Qty./Qté.	Price/Prix
609	1277126090	FLANGE HANDLE	POIGNEE DE LA BRIDE	1	\$28.69
610	1277126100	KNOB	BOUTON	1	\$4.20
611	1277126110	THRUST BEARING	ROULEMENT A BUTEE	1	\$25.24
612	1277126120	WASHER	RONDELLE	1	\$1.90
613	1277126130	SPRING	RESSORT	1	\$10.29
615	1277126150	WISE SCREW	TIGE VISSEE DE L'ETAU	1	\$57.44
616	1277126160	WISE SCREW NUT	ECROU DE LA TIGE VISSEE	1	\$40.19
	127712MBIL	BILINGUAL MANUAL KC-712BC	MANUEL BILINGUE KC-712BC	1	\$15.00

Pricing subject to change without prior notice. / Prix sujet à changement sans préavis.

Free Manuals Download Website

<http://myh66.com>

<http://usermanuals.us>

<http://www.somanuals.com>

<http://www.4manuals.cc>

<http://www.manual-lib.com>

<http://www.404manual.com>

<http://www.luxmanual.com>

<http://aubethermostatmanual.com>

Golf course search by state

<http://golfingnear.com>

Email search by domain

<http://emailbydomain.com>

Auto manuals search

<http://auto.somanuals.com>

TV manuals search

<http://tv.somanuals.com>