



# Service Manual / Manuel de Service

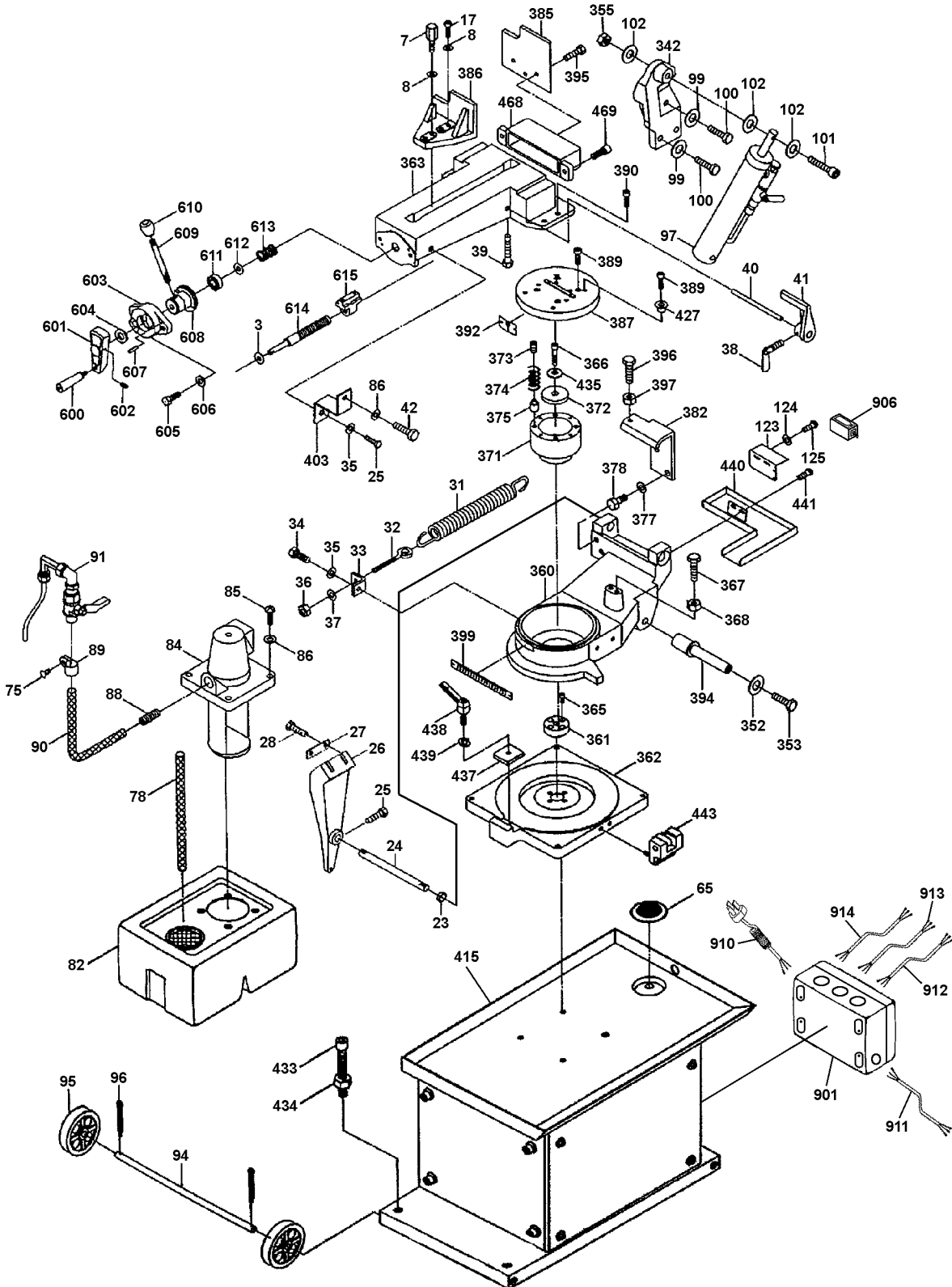
7" x 12" Dual Swivel Metal Cutting Bandsaw  
Scie à Ruban 7" x 12" à Double Pivot pour Métal



Revised/Revisé 08/2008

## Table and Base Diagram / Diagramme de la Table et de la Base

# KC-712DS





# Service Manual / Manuel de Service

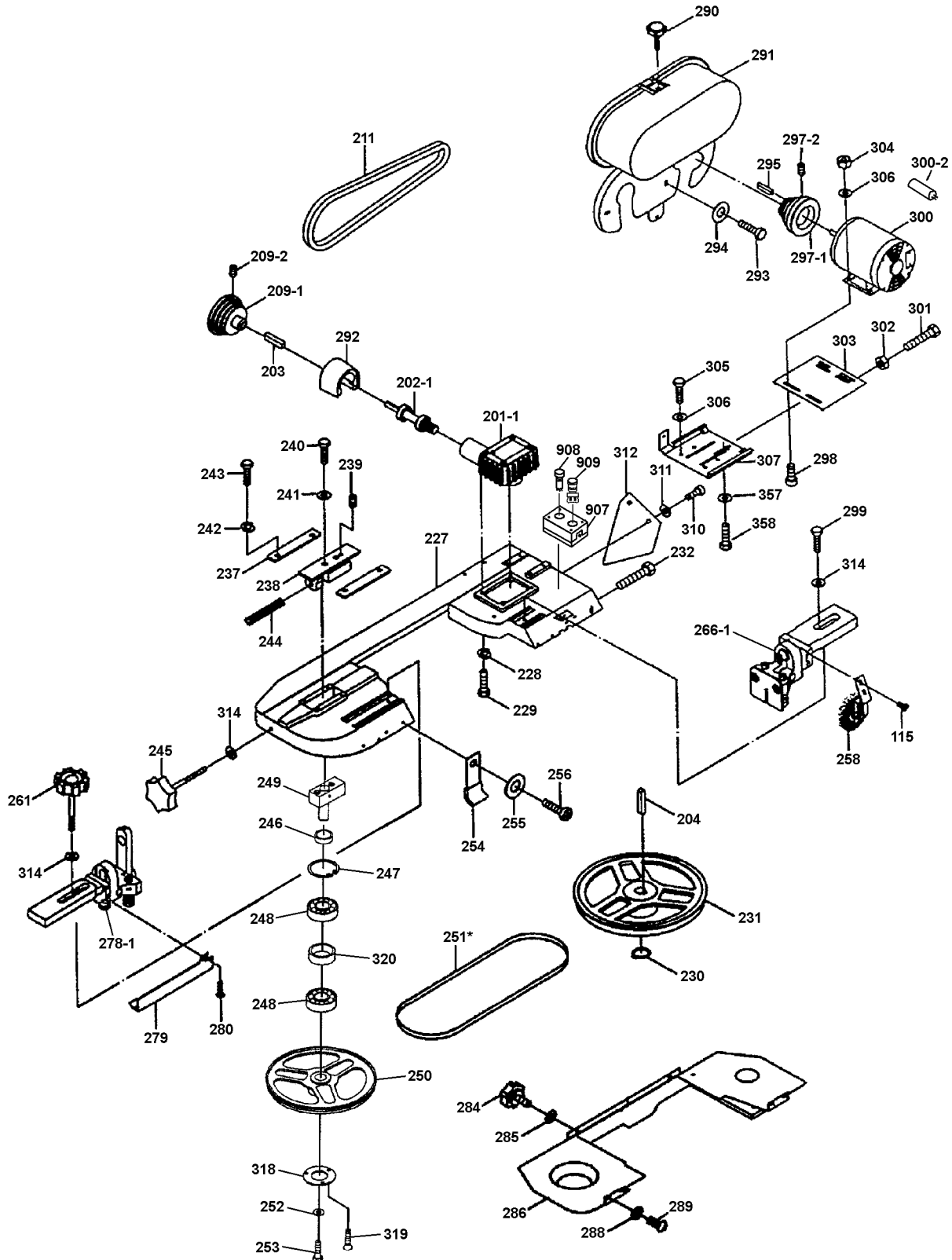
## 7" x 12" Dual Swivel Metal Cutting Bandsaw Scie à Ruban 7" x 12" à Double Pivot pour Métal



Revised/Revisé 08/2008

### Head Diagram / Diagramme de la Tête

# KC-712DS





# Service Manual / Manuel de Service

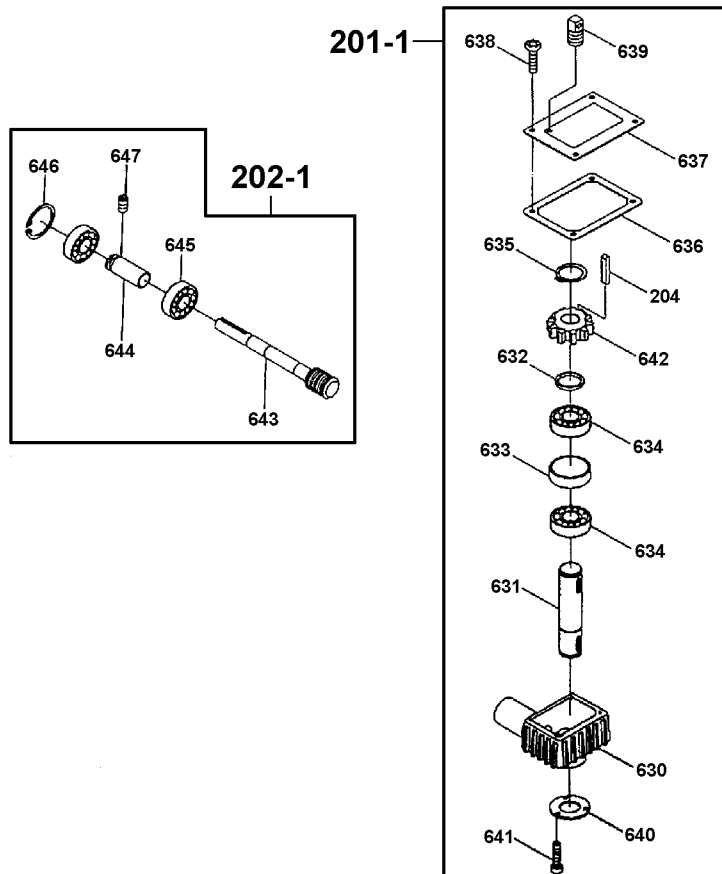
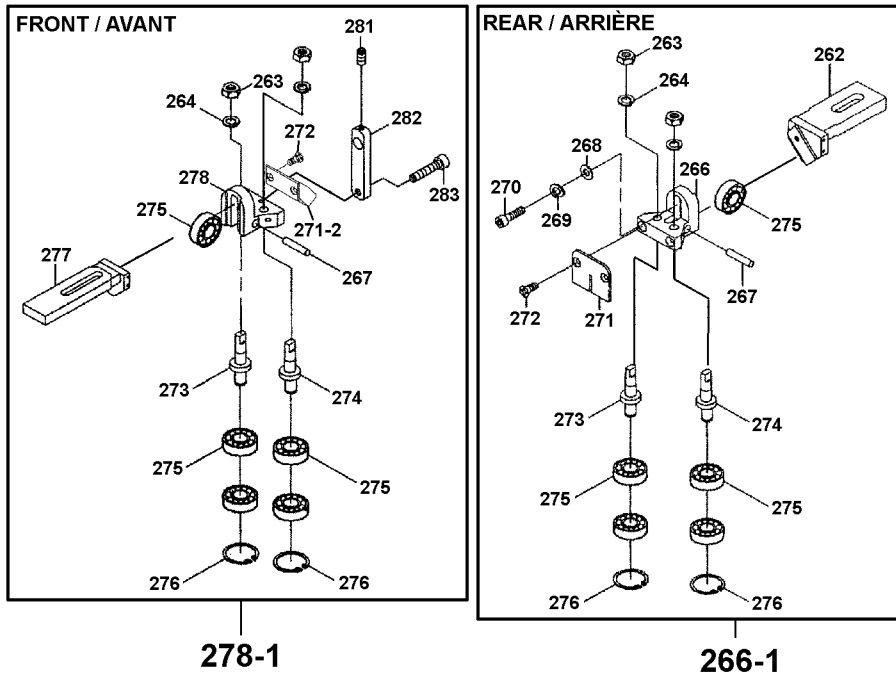
## 7" x 12" Dual Swivel Metal Cutting Bandsaw Scie à Ruban 7" x 12" à Double Pivot pour Métal



Revised/Revisé 08/2008

### Gear & Bracket Diagram / Diagramme des Engrenages et des Supports

# KC-712DS





## Parts Pricing List / Liste de Prix des Pièces **KC-712DS**

Diag.	Order # Com.	English Description	Description Française	Qty./Qté.	Price/Prix
3	1271240030	WASHER	RONDELLE	1	\$1.67
7	1271240070	WISE FIXED BOLT	BOULON FIXATION DE L'ETAU	1	\$28.69
8	1271240080	WASHER	RONDELLE	2	\$1.67
17	1271240170	HEX. BOLT	BOULON HEXAGONAL	1	\$2.13
23	1271240230	BUSHING	BAGUE	1	\$7.30
24	1271240240	SUPPORT ROD	TIGE DU SUPPORT	1	\$27.54
25	1271240250	HEX. BOLT	BOULON HEXAGONAL	2	\$1.90
26	1271240260	PIVOT BRACKET	SUPPORT DE PIVOTEMENT	1	\$107.81
27	1271240270	FIXING PLATE	PLAQUE DE FIXATION	1	\$13.74
28	1271240280	HEX. BOLT	BOULON HEXAGONAL	2	\$2.13
31	1271240310	EXTENSION SPRING (210MM)	RESSORT EXTENSION (210MM)	1	\$38.93
32	1271240320	SPRING ADJUSTING SCREW	VIS D'AJUSTEMENT DU RESSORT	1	\$10.75
33	1271240330	SPRING SCREW BRACKET	SUPPORT POUR L'OEILLET DU RESSORT	1	\$5.00
34	1271240340	HEX. BOLT	BOULON HEXAGONAL	1	\$1.73
35	1271240350	WASHER	RONDELLE	2	\$1.61
36	1271240360	HEX. NUT	ECROU HEXAGONAL	1	\$1.61
37	1271240370	WASHER	RONDELLE	1	\$1.84
38	1271240380	THUMB SCREW	VIS A AILETTE	1	\$5.58
39	1271240390	HEX. BOLT	BOULON HEXAGONAL	1	\$1.90
40	1271240400	STOCK STOP ROD	TIGE D'ARRET DE TRAVAIL	1	\$11.44
41	1271240410	STOP BLOCK	SUPPORT D'ARRET DE TRAVAIL	1	\$16.96
42	1271240420	HEX. BOLT	BOULON HEXAGONAL	1	\$2.01
65	1271240650	FILTER	FILTRE	1	\$11.33
75	1271240750	PAN HD SCREW	VIS A TETE BOMBEE	2	\$1.55
78	1271240780	VINYL HOSE (200MM)	BOYAU EN VYNILE (200MM)	1	\$11.21
82	1271240820	COOLANT TANK	RESERVOIR DU LIQUIDE	1	\$87.23
84	1271240840	COOLANT PUMP 110/220V	POMPE A LIQUIDE REFROID. 110/220V	1	\$332.35
85	1271240850	PAN HD SCREW	VIS A TETE BOMBEE	4	\$1.67
86	1271240860	WASHER	RONDELLE	5	\$1.55
88	1271240880	HOSE FITTING	ADAPTATEUR DE BOYAU	1	\$10.18
89	1271240890	HOSE CLIP	ATTACHE-BOYAU	2	\$2.59
90	1271240900	HOSE (200CM)	BOYAU RENFORCE (200CM)	1	\$26.28
91	1271240910	VALVE & FITTING	SOUPAPE ET RACCORD	1	\$45.48
94	1271240940	STAND WHEEL ROD	TIGE POUR ROUES	2	\$26.16
95	1271240950	WHEEL	ROUE	4	\$17.19
96	1271240960	COTTER PIN	GOUPILLE	4	\$2.59
97	1271240970	CYLINDER ASSEMBLY	CYLINDRE ASSEMBLE	1	\$297.85
99	1271240990	WASHER	RONDELLE	3	\$1.61
100	1271241000	HEX. BOLT	BOULON HEXAGONAL	3	\$1.73
101	1271241010	CAP SCREW	BOULON A TETE CYLINDRIQUE	1	\$2.47
102	1271241020	WASHER	RONDELLE	3	\$1.73
115	1271241150	PAN HD SCREW	VIS A TETE BOMBEE	2	\$1.55
123	1271241230	POWER CUTTING BRACKET	SUPPORT DU COUPE-COURANT	1	\$22.94
124	1271241240	WASHER	RONDELLE	2	\$1.50
125	1271241250	CROSS ROUND HD SCREW	VIS A TETE BOMBEE	2	\$1.55
201-1	1271242011	GEAR BOX ASS'Y (SPECIAL ORDER)	BOITIER D'ENGR. ASS. (COMM. SPEC.)	1	\$316.25
202-1	1271242021	WORM GEAR SHAFT ASSEMBLY	TIGE D'ENGRENAGE ASSEMBLEE	1	\$130.93

Pricing subject to change without prior notice. / Prix sujet à changement sans préavis.



## Parts Pricing List / Liste de Prix des Pièces **KC-712DS**

Diag.	Order # Com.	English Description	Description Française	Qty./Qté.	Price/Prix
203	1271242030	KEY	CLE DE RETENUE	1	\$1.78
204	1271242040	KEY	CLE DE RETENUE	2	\$2.01
209-1	1271242091	GEAR BOX PULLEY	POULIE DU BOITIER D'ENGRENAGE	1	\$67.56
209-2	1271242092	SET SCREW	VIS SANS TETE	2	\$1.67
211	1271242110	V-BELT	COURROIE EN "V"	1	\$9.83
227	1271242270	WHEEL BODY FRAME	CHASSIS DES ROUES	1	\$500.25
228	1271242280	SPRING WASHER	RONDELLE A RESSORT	4	\$1.55
229	1271242290	HEX. BOLT	BOULON HEXAGONAL	4	\$2.13
230	1271242300	RETAINING RING/SHAFT	ANNEAU DE RETENU/TIGE	1	\$2.24
231	1271242310	DRIVE BLADE WHEEL	ROUE DE COMMANDEMENT	1	\$100.91
232	1271242320	HEX. BOLT	BOULON HEXAGONAL	2	\$1.90
237	1271242370	SLIDING PLATE	PLAQUE COULISSANTE	2	\$7.53
238	1271242380	BLADE TENSION SLIDING BLOCK	BLOC DE TENSION COULISSANT	1	\$45.71
239	1271242390	SET SCREW	VIS SANS TETE	1	\$2.13
240	1271242400	HEX. BOLT	BOULON HEXAGONAL	2	\$1.90
241	1271242410	WASHER	RONDELLE	2	\$1.61
242	1271242420	SPRING WASHER	RONDELLE A RESSORT	4	\$1.67
243	1271242430	HEX. BOLT	BOULON HEXAGONAL	4	\$1.90
244	1271242440	COMPRESSION SPRING	RESSORT A COMPRESSION	1	\$6.84
245	1271242450	BLADE TENSION KNOB	BOUTON DE TENSION DE LA LAME	1	\$17.54
246	1271242460	BEARING BUSHING	BAGUE DU ROULEMENT	1	\$4.89
247	1271242470	RETAINING RING/BORE	ANNEAU DE RETENU/ALESAGE	1	\$2.47
248	1271242480	BALL BEARING	ROULEMENT A BILLES	2	\$11.44
249	1271242490	WHEEL SHAFT ASSEMBLY	TIGE DE LA ROUE ASSEMBLEE	1	\$34.33
250	1271242500	IDLER BLADE WHEEL	ROUE FOLLE	1	\$96.54
251	KBB-712	BLADE	LAME	1	-
252	1271242520	WASHER	RONDELLE	1	\$1.73
253	1271242530	HEX. BOLT	BOULON HEXAGONAL	1	\$1.73
254	1271242540	SWITCH CUT-OFF TIP	PLAQUE D'ARRET DE L'INTERR.	1	\$5.69
255	1271242550	WASHER	RONDELLE	1	\$1.55
256	1271242560	CAP SCREW	BOULON A TETE CYLINDRIQUE	1	\$1.90
258	1271242580	ROUND BRUSH & BRACKET ASS'Y	BROSSE RONDE ET SUPPORT ASS.	1	\$78.03
261	1271242610	GUIDE ADJUSTMENT KNOB	BOUTON D'AJUSTEMENT DU GUIDE	1	\$8.45
262	1271242620	ADJUSTABLE BRACKET (REAR)	SUPPORT AJUSTABLE (ARRIERE)	1	\$38.93
263	1271242630	HEX. NUT	ECROU HEXAGONAL	4	\$1.61
264	1271242640	SPRING WASHER	RONDELLE A RESSORT	4	\$1.55
266	1271242660	BEARING ADJUST. BRACKET (REAR)	SUP. AJUST. DES ROULEMENTS (ARR.)	1	\$26.28
266-1	1271242661	BEARING ADJ. BRACKET ASS'Y (REAR)	SUP. AJUST./ROULEMENTS ASS. (ARR.)	1	\$91.83
267	1271242670	BEARING PIN	GOUPILLE POUR ROULEMENT	2	\$5.46
268	1271242680	WASHER	RONDELLE	1	\$1.61
269	1271242690	SPRING WASHER	RONDELLE A RESSORT	1	\$1.67
270	1271242700	CAP SCREW	BOULON A TETE CYLINDRIQUE	1	\$1.90
271	1271242710	DEFLECTOR PLATE	PLAQUE DEFLECTRICE	1	\$6.15
271-2	1271242712	DEFLECTOR PLATE (FRONT)	PLAQUE DEFLECTRICE (AVANT)	1	\$29.84
272	1271242720	COUNTERSUNK HD SCREW	VIS A TETE FRAISEE	4	\$1.67
273	1271242730	BEARING SHAFT	TIGE DES ROULEMENTS	2	\$12.25
274	1271242740	BEARING ECCENTRIC SHAFT	TIGE EXCENTRIQUE DES ROULEMENTS	2	\$13.74

Pricing subject to change without prior notice. / Prix sujet à changement sans préavis.



## Parts Pricing List / Liste de Prix des Pièces **KC-712DS**

Diag.	Order # Com.	English Description	Description Française	Qty./Qté.	Price/Prix
275	1271242750	BALL BEARING	ROULEMENT A BILLES	10	\$12.59
276	1271242760	RETAINING RING/SHAFT	ANNEAU DE RETENU/TIGE	4	\$1.50
277	1271242770	ADJUSTABLE BRACKET (FRONT)	SUPPORT AJUSTABLE (AVANT)	1	\$57.10
278	1271242780	ADJUST. BEARING BRACKET (FRONT)	SUP. AJUST. DES ROULEMENTS (AV.)	1	\$26.28
278-1	1271242781	BEARING ADJ. BRACKET ASS. (FRONT)	SUP. AJUST./ROULEMENTS ASS. (AV.)	1	\$87.34
279	1271242790	BLADE GUIDE PROTECTOR (FRONT)	COUVERCLE DE LA LAME (AVANT)	1	\$10.29
280	1271242800	PAN HD SCREW	VIS A TETE RONDE	2	\$1.67
281	1271242810	SET SCREW	VIS SANS TETE	1	\$1.67
282	1271242820	NOZZLE COCK SUPPORT	SUPPORT/JET DU LIQUIDE DE COUPE	1	\$11.44
283	1271242830	CAP SCREW	BOULON A TETE CYLINDRIQUE	1	\$1.90
284	1271242840	LOCKING KNOB	BOUTON DE VERROUILLAGE	2	\$5.69
285	1271242850	WASHER	RONDELLE	2	\$1.55
286	1271242860	BLADE BACK COVER	COUVERCLE DE LA LAME (ARRIERE)	1	\$132.25
288	1271242880	WASHER	RONDELLE	4	\$1.55
289	1271242890	PAN HD SCREW	VIS A TETE BOMBEE	4	\$1.67
290	1271242900	LOCKING KNOB	BOUTON DE VERROUILLAGE	1	\$3.74
291	1271242910	PULLEY COVER	COUVERCLE DES POULIES	1	\$57.10
292	1271242920	GEAR BOX COVER	COUV./BOITIER DE L'ENGRENAGE	1	\$9.60
293	1271242930	CAP SCREW	BOULON A TETE CYLINDRIQUE	2	\$1.55
294	1271242940	WASHER	RONDELLE	2	\$1.55
295	1271242950	KEY	CLE DE RETENUE	1	\$2.13
297-1	1271242971	MOTOR PULLEY	POULIE DU MOTEUR	1	\$45.71
297-2	1271242972	SET SCREW	VIS SANS TETE	1	\$1.67
298	1271242980	CARRIAGE BOLT	BOULON A CARROSSERIE	4	\$2.13
299	1271242990	HEX. BOLT	BOULON HEXAGONAL	1	\$2.13
300	1271243000	MOTOR	MOTEUR	1	\$412.85
300-2	1271243002	STARTING CAPACITOR	CONDENSATEUR DE DEMARRAGE	1	\$45.94
301	1271243010	HEX. BOLT	BOULON HEXAGONAL	2	\$2.13
302	1271243020	HEX. NUT	ECROU HEXAGONAL	2	\$1.55
303	1271243030	MOTOR MOUNT PLATE	PLAQUE DE MONTAGE DU MOTEUR	1	\$34.21
304	1271243040	HEX. NUT	ECROU HEXAGONAL	4	\$1.55
305	1271243050	HEX. BOLT	BOULON HEXAGONAL	4	\$1.73
306	1271243060	WASHER	RONDELLE	8	\$1.73
307	1271243070	MOTOR MOUNT BRACKET	SUPPORT DE MONTAGE DU MOTEUR	1	\$44.45
310	1271243100	CAP SCREW	BOULON A TETE CYLINDRIQUE	2	\$1.90
311	1271243110	WASHER	RONDELLE	2	\$1.55
312	1271243120	SUPPORT PLATE	PLAQUE DE SUPPORT	1	\$9.95
314	1271243140	WASHER	RONDELLE	3	\$1.67
318	1271243180	BEARING COVER	COUVERCLE DU ROULEMENT	1	\$7.53
319	1271243190	COUNTERSUNK HD SCREW	VIS A TETE FRAISEE	3	\$1.55
320	1271243200	BEARING BUSHING	BAGUE DU ROULEMENT	1	\$7.99
342	1271243420	CYLINDER UPPER SUPPORT	SUPPORT DU HAUT POUR CYLINDRE	1	\$45.83
352	1271243520	WASHER	RONDELLE	1	\$1.61
353	1271243530	HEX. BOLT	BOULON HEXAGONAL	1	\$1.61
355	1271243550	HEX. NUT	ECROU HEXAGONAL	1	\$1.61
357	1271243570	WASHER	RONDELLE	1	\$1.73
358	1271243580	HEX. BOLT	BOULON HEXAGONAL	1	\$1.73

Pricing subject to change without prior notice. / Prix sujet à changement sans préavis.





## Parts Pricing List / Liste de Prix des Pièces **KC-712DS**

Diag.	Order # Com.	English Description	Description Française	Qty./Qté.	Price/Prix
360	1271243600	SWIVEL ARM	BRAS PIVOTANT	1	\$454.25
361	1271243610	THREADED SEAT FLANGE	BRIDE-SIEGE FILETEE	1	\$84.81
362	1271243620	SWIVEL BASE	BASE DE PIVOTEMENT	1	\$286.35
363	1271243630	WISE BASE	SOCLE DE L'ETAU	1	\$408.25
365	1271243650	CAP SCREW	BOULON A TETE CYLINDRIQUE	4	\$1.84
366	1271243660	CAP SCREW	BOULON A TETE CYLINDRIQUE	1	\$3.74
367	1271243670	HEX. BOLT	BOULON HEXAGONAL	1	\$2.70
368	1271243680	HEX. NUT	ECROU HEXAGONAL	1	\$1.67
371	1271243710	PIVOTING ARM CROWN	COURONNE DU BRAS PIVOTANT	1	\$212.75
372	1271243720	ROUND CROWN PLATE	PLAQUE RONDE DE LA COURONNE	1	\$28.46
373	1271243730	SET SCREW	VIS SANS TETE	4	\$2.47
374	1271243740	COMPRESSION SPRING	RESSORT A COMPRESSION	4	\$3.05
375	1271243750	SPECIAL PIN	GOUPILLE SPECIALE	4	\$3.16
377	1271243770	WASHER	RONDELLE	2	\$1.61
378	1271243780	HEX. BOLT	BOULON HEXAGONAL	2	\$1.73
382	1271243820	BRACKET	SUPPORT	1	\$31.57
385	1271243850	WISE JAW BRACKET (REAR)	MACHOIRE DE L'ETAU (ARRIERE)	1	\$34.44
386	1271243860	WISE JAW BRACKET (FRONT)	MACHOIRE DE L'ETAU (AVANT)	1	\$68.60
387	1271243870	SWIVEL ARM COVER	COUVERCLE DU BRAS PIVOTANT	1	\$80.44
389	1271243890	CAP SCREW	BOULON A TETE CYLINDRIQUE	6	\$1.90
390	1271243900	CAP SCREW	BOULON A TETE CYLINDRIQUE	4	\$2.24
392	1271243920	METER INDICATOR	INDICATEUR DE DEGREE	1	\$3.39
394	1271243940	CYLINDER LOWER SUPPORT	SUPPORT INFERIEUR DU CYLINDRE	1	\$17.19
395	1271243950	HEX. BOLT	BOULON HEXAGONAL	3	\$2.01
396	1271243960	HEX. BOLT	BOULON HEXAGONAL	1	\$2.01
397	1271243970	HEX. NUT	ECROU HEXAGONAL	1	\$1.55
399	1271243990	DEGREE SCALE	ECHELLE DE DEGREE	1	\$3.74
403	1271244030	ANGLE FIXED BRACKET	PLAQUE SUPPORT EN ANGLE FIXE	1	\$9.95
415	1271244150	COMPLETE STAND (SPECIAL ORDER)	SUPPORT COMPLET (COMM. SPEC.)	1	\$672.75
427	1271244270	"T" SHAPED SUPPORT	SUPPORT DE RETENU EN "T"	2	\$11.44
433	1271244330	CAP SCREW	BOULON A TETE CYLINDRIQUE	4	\$3.39
434	1271244340	HEX. NUT	ECROU HEXAGONAL	4	\$1.78
435	1271244350	SPRING WASHER	RONDELLE A RESSORT	1	\$2.01
437	1271244370	SWIVEL ARM LOCK PLATE	PLAQUE DE VERROUILLAGE	1	\$19.26
438	1271244380	LOCK HANDLE	POIGNEE DE VERROUILLAGE	1	\$44.45
439	1271244390	SPRING WASHER	RONDELLE A RESSORT	1	\$1.55
440	1271244400	SPLASH TRAY	PLATEAU ANTI-ECLAT	1	\$52.73
441	1271244410	PAN HD SCREW	VIS A TETE BOMBEE	2	\$1.78
443	1271244430	PIVOTING STOP BRACKET	SUPPORT D'ARRET DU PIVOTEMENT	1	\$34.33
468	1271244680	EXTENSION BASE	EXTENSION D'ETAU	1	\$79.98
469	1271244690	CAP SCREW	BOULON A TETE CYLINDRIQUE	2	\$2.47
600	1271246000	CAM HANDLE	POIGNEE DE L'EXCENTRIQUE	1	\$12.59
601	1271246010	CRANK ARM	BRAS EXCENTRIQUE	1	\$32.03
602	1271246020	SET SCREW	VIS SANS TETE	1	\$1.67
603	1271246030	CRANK ARM BRACKET	SUPPORT DU BRAS EXCENTRIQUE	1	\$63.19
604	1271246040	WASHER	RONDELLE	1	\$1.90
605	1271246050	HEX. BOLT	BOULON HEXAGONAL	2	\$2.13

Pricing subject to change without prior notice. / Prix sujet à changement sans préavis.



## ® Parts Pricing List / Liste de Prix des Pièces **KC-712DS**

Diag.	Order # Com.	English Description	Description Française	Qty./Qté.	Price/Prix
606	1271246060	WASHER	RONDELLE	2	\$1.67
607	1271246070	SPRING PIN	GOUPILLE A RESSORT	2	\$2.13
608	1271246080	PRESSURE FLANGE	BRIDE DE PRESSION	1	\$57.44
609	1271246090	FLANGE HANDLE	POIGNEE DE LA BRIDE	1	\$28.69
610	1271246100	HANDLE KNOB	BOUTON DE LA POIGNEE	1	\$4.20
611	1271246110	THRUST BEARING	ROULEMENT A BUTEE	1	\$25.24
612	1271246120	WASHER	RONDELLE	1	\$1.90
613	1271246130	COMPRESSION SPRING	RESSORT A COMPRESSION	1	\$10.29
614	1271246140	WISE SCREW	TIGE VISSEE DE L'ETAU	1	\$57.10
615	1271246150	WISE SCREW NUT	ECROU DE LA TIGE VISSEE	1	\$40.19
630	1271246300	GEAR BOX HOUSING	BOITIER DE LA BOITE D'ENGRENAGE	1	\$107.93
631	1271246310	TRANSMISSION WHEEL SHAFT	ARBRE DE TRANSMISSION	1	\$44.45
632	1271246320	BUSHING	BAGUE	1	\$6.04
633	1271246330	BEARING BUSHING	BAGUE DU ROULEMENT	1	\$7.30
634	1271246340	BALL BEARING	ROULEMENT A BILLES	2	\$33.29
635	1271246350	RETAINING RING/SHAFT	ANNEAU DE RETENU/TIGE	1	\$2.24
636	1271246360	COVER GASKET	JOINT D'ETANCHEITE DU COUV.	1	\$6.73
637	1271246370	HOUSING COVER	COUVERCLE DU BOITIER	1	\$10.75
638	1271246380	CAP SCREW	BOULON A TETE CYLINDRIQUE	4	\$1.90
639	1271246390	VENT PLUG	BOUCHON D'AERATION	1	\$4.20
640	1271246400	BEARING COVER	COUVERCLE DU ROULEMENT	1	\$9.14
641	1271246410	PAN HD SCREW	VIS A TETE BOMBEE	3	\$1.55
642	1271246420	WORM GEAR	ENGRENAGE SANS FIN	1	\$57.44
643	1271246430	WORM SHAFT	TIGE A ENGRENAGE SANS FIN	1	\$80.44
644	1271246440	BEARING BUSHING	BAGUE DU ROULEMENT	1	\$21.79
645	1271246450	BALL BEARING	ROULEMENT A BILLES	2	\$12.59
646	1271246460	RETAINING RING/SHAFT	ANNEAU DE RETENU/TIGE	1	\$1.55
647	1271246470	SET SCREW	VIS SANS TETE	1	\$1.78
649	1271246490	HEX. NUT	ECROU HEXAGONAL	1	\$1.55
650	1271246500	CARRIAGE BOLT	BOULON A CARROSSERIE	1	\$2.19
901	1271249010	ELECTRICAL CONTROL BOX (ONLY)	BOITE DE CONTROLE ELECTRIQUE	1	\$53.88
906	1271249060	LIMIT SWITCH	INTERRUPTEUR DE CONTACT	1	\$166.69
907	1271249070	SWITCH BOX (ONLY)	BOITE INTERRUPTEUR (SEULEMENT)	1	\$68.94
908	1271249080	START BUTTON (GREEN)	BOUTON DE DEMARRAGE (VERT)	1	\$68.94
909	1271249090	EMERGENCY SAFETY SWITCH	INTERRUPTEUR ARRET D'URGENCE	1	\$78.95
910	1271249100	POWER CORD	CORDON D'ALIMENTATION	1	\$21.79
911	1271249110	PUMP CORD	CORDON DE LA POMPE	1	\$10.29
912	1271249120	MOTOR CORD	CORDON DU MOTEUR	1	\$16.04
913	1271249130	SWITCH CORD	CORDON DE L'INTERRUPTEUR	1	\$18.34
914	1271249140	LIMIT SWITCH CORD	CORDON DE L'INTERR. DE CONTACT	1	\$13.74
	127124MBIL	BILINGUAL MANUAL KC-712DS	MANUEL BILINGUE KC-712DS	1	\$15.00

Pricing subject to change without prior notice. / Prix sujet à changement sans préavis.



## Free Manuals Download Website

<http://myh66.com>

<http://usermanuals.us>

<http://www.somanuals.com>

<http://www.4manuals.cc>

<http://www.manual-lib.com>

<http://www.404manual.com>

<http://www.luxmanual.com>

<http://aubethermostatmanual.com>

Golf course search by state

<http://golfingnear.com>

Email search by domain

<http://emailbydomain.com>

Auto manuals search

<http://auto.somanuals.com>

TV manuals search

<http://tv.somanuals.com>