



Service Manual / Manuel de Service

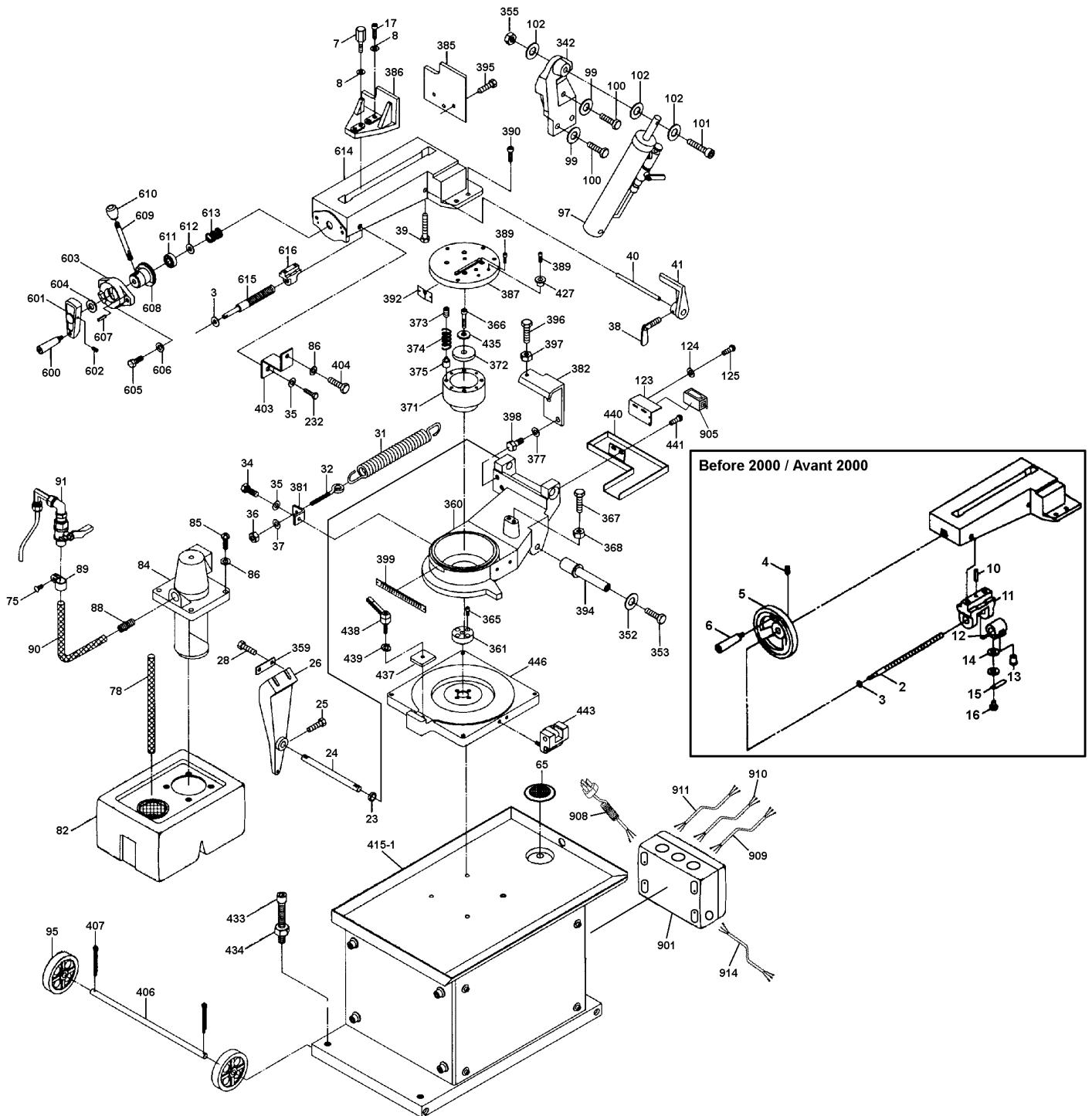
7" x 12" Metal Cutting Swivel Bandsaw Scie à Ruban Pivotante pour Métal 7" x 12"



Revised/Revisé 08/2008

Table and Base Diagram / Diagramme de la Table et de la Base

KC-712S





Service Manual / Manuel de Service

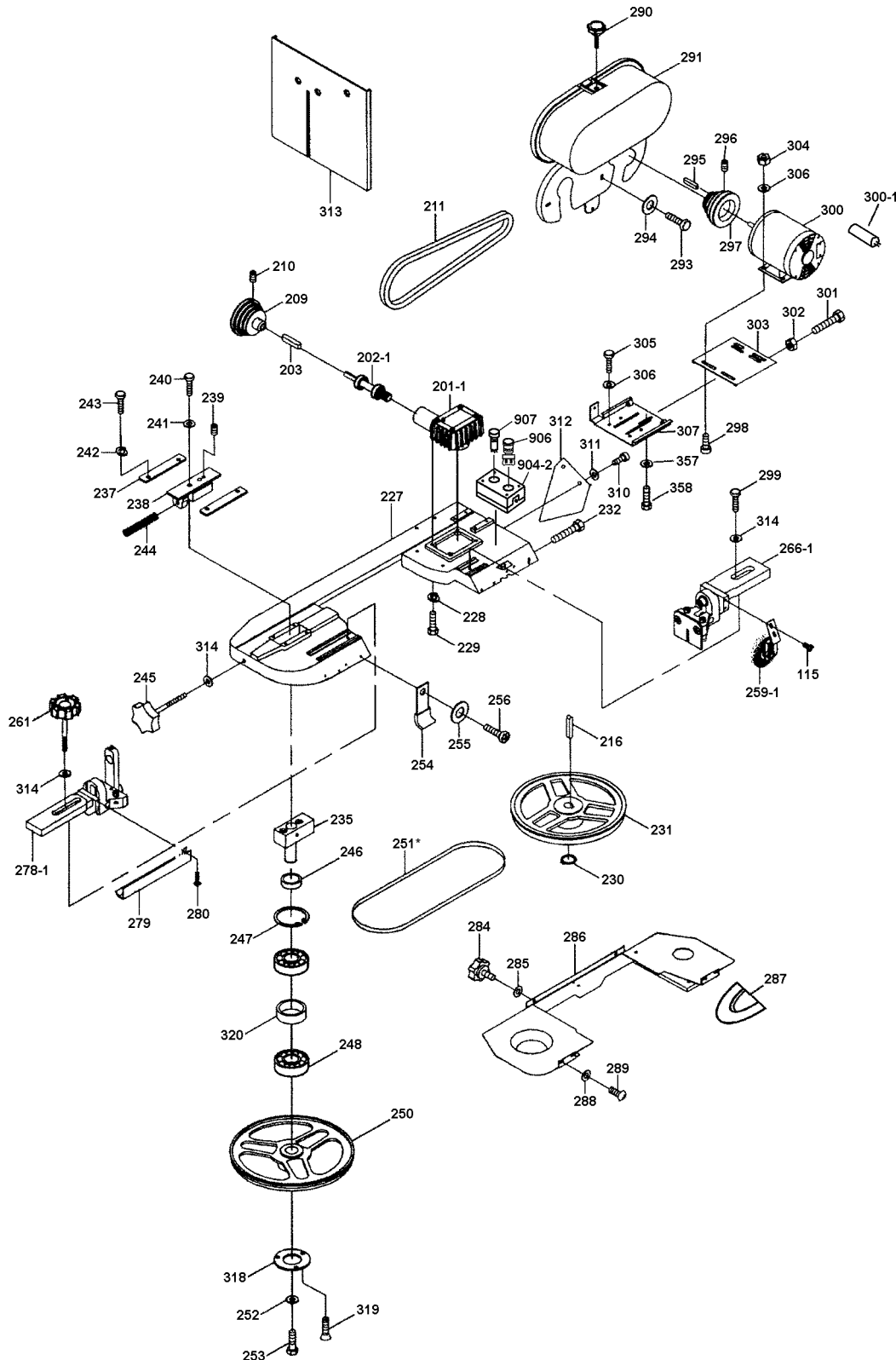
7" x 12" Metal Cutting Swivel Bandsaw Scie à Ruban Pivotante pour Métal 7" x 12"



Revised/Revisé 08/2008

Head Diagram / Diagramme de la Tête

KC-712S





Service Manual / Manuel de Service

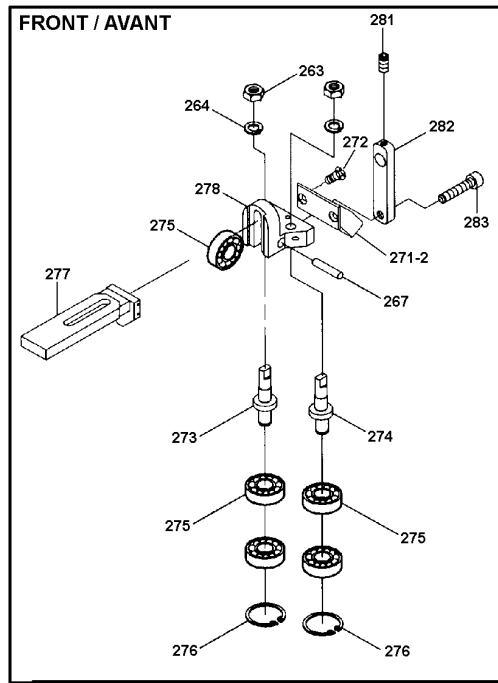
7" x 12" Metal Cutting Swivel Bandsaw Scie à Ruban Pivotante pour Métal 7" x 12"



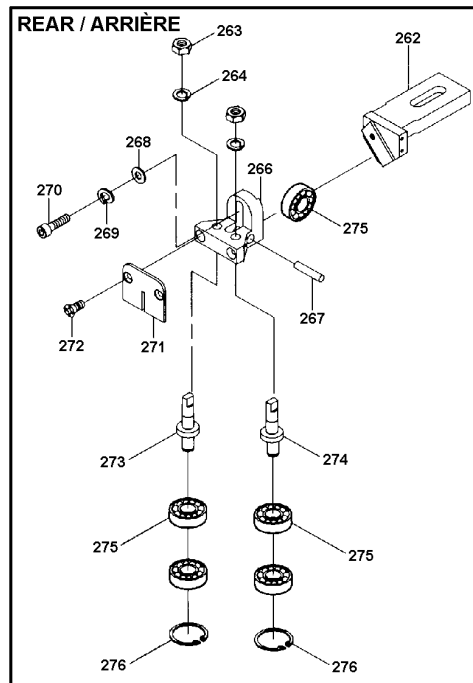
Revised/Revisé 08/2008

Gear & Bracket Diagram / Diagramme des Engrenages et des Supports

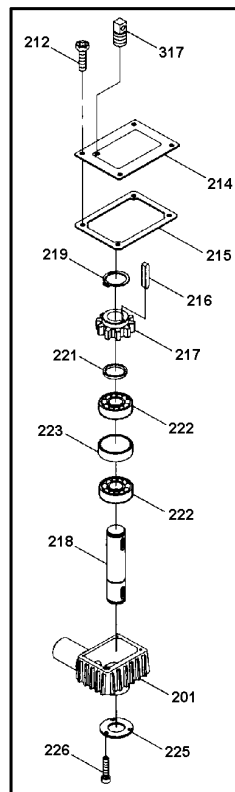
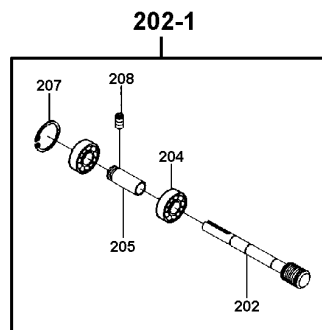
KC-712S



278-1



266-1





Parts Pricing List / Liste de Prix des Pièces **KC-712S**

Diag.	Order # Com.	English Description	Description Française	Qty./Qté.	Price/Prix
2	1271200020	ACME SCREW (PRE 2000)	TIGE VISSEE "ACME"	1	\$61.93
3	1271200030	WASHER	RONDELLE	1	\$1.67
4	1271200040	SET SCREW (PRE 2000)	VIS SANS TETE	1	\$1.67
5	1271200050	HAND WHEEL (PRE 2000)	MANIVELLE	1	\$38.70
6	1271200060	HANDLE (PRE 2000)	POIGNEE DE LA MANIVELLE	1	\$12.59
7	1271200070	WISE FIXED BOLT	BOULON DE FIXATION DE L'ETAU	1	\$28.69
8	1271200080	WASHER	RONDELLE	2	\$1.67
10	1271200100	SPRING PIN (PRE 2000)	GOUPILLE A RESSORT	1	\$1.90
11	1271200110	NUT BRACKET (PRE 2000)	SUPPORT DE L'ECROU	1	\$39.96
12	1271200120	ACME NUT (PRE 2000)	ECROU RAPIDE	1	\$32.60
13	1271200130	LOCKING BUTTON (PRE 2000)	BOUTON DE VERROUILLAGE	1	\$5.00
14	1271200140	SPRING WASHER (PRE 2000)	RONDELLE A RESSORT	2	\$1.55
15	1271200150	RETAINER (PRE 2000)	PLAQUE DE RETENUE	1	\$3.39
16	1271200160	PAN HD SCREW (PRE 2000)	VIS A TETE BOMBEE	1	\$1.55
17	1271200170	HEX. BOLT	BOULON HEXAGONAL	1	\$2.13
23	1271200230	BUSHING	BAGUE	1	\$7.30
24	1271200240	SUPPORT ROD	TIGE DU SUPPORT	1	\$27.54
25	1271200250	HEX. BOLT	BOULON HEXAGONAL	2	\$1.90
26	1271200260	PIVOT BRACKET	SUPPORT DE PIVOTEMENT	1	\$107.81
28	1271200280	HEX. BOLT	BOULON HEXAGONAL	2	\$2.13
31	1271200310	EXTENSION SPRING	RESSORT EXTENSION	1	\$38.93
32	1271200320	SPRING TENSION SCREW	OUILLET DE TENSION POUR RESSORT	1	\$10.75
34	1271200340	HEX. BOLT	BOULON HEXAGONAL	1	\$1.73
35	1271200350	WASHER	RONDELLE	2	\$1.61
36	1271200360	HEX. NUT	ECROU HEXAGONAL	1	\$1.61
37	1271200370	WASHER	RONDELLE	1	\$1.84
38	1271200380	THUMB SCREW	VIS A AILETTE	1	\$5.58
39	1271200390	HEX. BOLT	BOULON HEXAGONAL	1	\$1.90
40	1271200400	STOCK STOP ROD	TIGE DU SUPPORT D'ARRET	1	\$11.44
41	1271200410	STOP BLOCK	SUPPORT D'ARRET	1	\$16.96
65	1271200650	FILTER	FILTREUR	1	\$11.33
75	1271200750	PAN HD SCREW	VIS A TETE BOMBEE	2	\$1.55
78	1271200780	VINYL HOSE (200MM)	BOYAU EN VYNILE (200MM)	1	\$11.21
82	1271200820	COOLANT TANK	RESERVOIR DU LIQUIDE	1	\$87.23
84	1271200840	COOLANT PUMP 110/220V	POMPE A LIQUIDE REFROID. 110/220V	1	\$332.35
85	1271200850	PAN HD SCREW	VIS A TETE RONDE	4	\$1.67
86	1271200860	WASHER	RONDELLE	5	\$1.55
88	1271200880	HOSE FITTING	ADAPTATEUR DE BOYAU	1	\$10.18
89	1271200890	HOSE CLIP	ATTACHE BOYAU	2	\$2.59
90	1271200900	HOSE (200CM)	BOYAU RENFORCE (200CM)	1	\$26.28
91	1271200910	VALVE AND FITTING ASS'Y	SOUPAPE ET RACCORD ASSEMBLE	1	\$45.48
95	1271200950	WHEEL	ROUE	4	\$17.19
97	1271200970	CYLINDER ASS'Y	CYLINDRE ASSEMBLE	1	\$297.85
99	1271200990	WASHER	RONDELLE	3	\$1.61
100	1271201000	HEX. BOLT	BOULON HEXAGONAL	3	\$1.73
101	1271201010	CAP SCREW	BOULON A TETE CYLINDRIQUE	1	\$2.47
102	1271201020	WASHER	RONDELLE	3	\$1.73

Pricing subject to change without prior notice. / Prix sujet à changement sans préavis.



Parts Pricing List / Liste de Prix des Pièces **KC-712S**

Diag.	Order # Com.	English Description	Description Française	Qty./Qté.	Price/Prix
115	1271201150	PAN HD SCREW	VIS A TETE BOMBEE	2	\$1.55
123	1271201230	POWER CUTTING BRACKET	SUPPORT DU COUPE-COURANT	1	\$22.94
124	1271201240	WASHER	RONDELLE	1	\$1.50
125	1271201250	PAN HD SCREW	VIS A TETE BOMBEE	2	\$1.55
201	1271202010	GEAR BOX HOUSING	BOITIER DE LA BOITE D'ENGRENAGE	1	\$107.93
201-1	1271202011	COMP. GEAR BOX ASS'Y (SPEC. ORD.)	BOITE D'ENGRENAGE COMPLETE ASS.	1	\$316.25
202	1271202020	WORM SHAFT	TIGE A ENGRENAGE SANS FIN	1	\$80.44
202-1	1271202021	WORM GEAR SHAFT ASS'Y	TIGE ENGRENAGE SANS FIN ASS.	1	\$130.93
203	1271202030	KEY	CLE DE RETENUE	1	\$1.78
204	1271202040	BALL BEARING	ROULEMENT A BILLES	3	\$12.59
205	1271202050	BEARING BUSHING	BAGUE DU ROULEMENT	1	\$21.79
207	1271202070	RETAINING RING/SHAFT	ANNEAU DE RETENU/TIGE	1	\$1.55
208	1271202080	SET SCREW	VIS SANS TETE	1	\$1.78
209	1271202090	GEAR BOX PULLEY	POULIE DU BOITIER D'ENGRENAGE	1	\$67.56
210	1271202100	SET SCREW	VIS SANS TETE	2	\$1.67
211	1271202110	V-BELT	COURROIE EN "V"	1	\$9.83
212	1271202120	ROUND HD SCREW	VIS A TETE RONDE	4	\$2.01
214	1271202140	HOUSING COVER	COUVERCLE DU BOITIER	1	\$10.75
215	1271202150	COVER GASKET	JOINT D'ETANCHEITE DU COUVERCLE	1	\$6.73
216	1271202160	KEY	CLE DE RETENUE	2	\$2.01
217	1271202170	WORM GEAR	ENGRENAGE SANS FIN	1	\$57.44
218	1271202180	TRANSMISSION SHAFT	ARBRE DE TRANSMISSION	1	\$44.45
219	1271202190	RETAINING RING/SHAFT	ANNEAU DE RETENU/TIGE	1	\$2.24
221	1271202210	BUSHING	BAGUE	1	\$6.04
222	1271202220	BALL BEARING	ROULEMENT A BILLES	2	\$33.29
223	1271202230	BEARING BUSHING	BAGUE DU ROULEMENT	1	\$7.30
225	1271202250	BEARING COVER	COUVERCLE DU ROULEMENT	1	\$9.14
226	1271202260	PAN HD SCREW	VIS A TETE BOMBEE	3	\$1.55
227	1271202270	WHEEL BODY FRAME	BRAS PRINCIPALE DES ROUES	1	\$500.25
228	1271202280	SPRING WASHER	RONDELLE A RESSORT	4	\$1.55
229	1271202290	HEX. BOLT	BOULON HEXAGONAL	4	\$2.13
230	1271202300	RETAINING RING/SHAFT	ANNEAU DE RETENU/ARBRE	1	\$2.24
231	1271202310	DRIVE BLADE WHEEL	ROUE DE COMMANDEMENT	1	\$100.91
232	1271202320	HEX. BOLT	BOULON HEXAGONAL	2	\$1.90
235	1271202350	WHEEL SHAFT ASS'Y	TIGE DE LA ROUE ASSEMBLE	1	\$34.33
237	1271202370	SLIDING PLATE	PLAQUE COULISSANTE	2	\$7.53
238	1271202380	TENSION SLIDING BLOCK	BLOC DE TENSION COULISSANT	1	\$45.71
239	1271202390	SET SCREW	VIS SANS TETE	1	\$2.13
240	1271202400	HEX. BOLT	BOULON HEXAGONAL	2	\$1.90
241	1271202410	WASHER	RONDELLE	2	\$1.61
242	1271202420	SPRING WASHER	RONDELLE A RESSORT	4	\$1.67
243	1271202430	HEX. BOLT	BOULON HEXAGONAL	4	\$1.90
244	1271202440	COMPRESSION SPRING	RESSORT A COMPRESSION	1	\$6.84
245	1271202450	BLADE TENSION KNOB	BOUTON DE TENSION DE LA LAME	1	\$17.54
246	1271202460	BEARING BUSHING	BAGUE DU ROULEMENT	1	\$4.89
247	1271202470	RETAINER RING/BORE	ANNEAU DE RETENU/ALESAGE	1	\$2.47
248	1271202480	BALL BEARING	ROULEMENT A BILLES	2	\$11.44

Pricing subject to change without prior notice. / Prix sujet à changement sans préavis.



Parts Pricing List / Liste de Prix des Pièces **KC-712S**

Diag.	Order # Com.	English Description	Description Française	Qty./Qté.	Price/Prix
250	1271202500	IDLER BLADE WHEEL	ROUE FOLLE	1	\$96.54
251	KBB-712	BLADE	LAME	1	-
252	1271202520	WASHER	RONDELLE	1	\$1.73
253	1271202530	HEX. BOLT	BOULON HEXAGONAL	1	\$1.73
254	1271202540	SWITCH CUT OFF TIP	PLAQUE D'ARRET DE L'INTERR.	1	\$5.69
255	1271202550	WASHER	RONDELLE	1	\$1.55
256	1271202560	CAP SCREW	BOULON A TETE CYLINDRIQUE	1	\$1.90
259-1	1271202591	ROUND BRUSH & BRACKET ASS'Y	BROSSE RONDE ET SUPPORT ASS.	1	\$78.03
261	1271202610	GUIDE ADJUSTMENT KNOB	BOUTON D'AJUSTEMENT DU GUIDE	1	\$8.45
262	1271202620	ADJUSTABLE BRACKET (REAR)	SUPPORT AJUSTABLE (ARRIERE)	1	\$38.93
263	1271202630	HEX. NUT	ECROU HEXAGONAL	4	\$1.61
264	1271202640	SPRING WASHER	RONDELLE A RESSORT	4	\$1.55
266	1271202660	BEARING ADJUST. BRACKET (REAR)	SUPPORT AJUST./ROULEMENTS (ARR.)	1	\$26.28
266-1	1271202661	BEARING ADJ BRACKET ASS'Y (REAR)	SUPPORT AJUST./ROULEM. ASS. (ARR.)	1	\$91.83
267	1271202670	BEARING PIN	GOUPILLE POUR ROULEMENT	2	\$5.46
268	1271202680	WASHER	RONDELLE	1	\$1.61
269	1271202690	SPRING WASHER	RONDELLE A RESSORT	1	\$1.67
270	1271202700	CAP SCREW	BOULON A TETE CYLINDRIQUE	1	\$1.90
271	1271202710	PLATE (BACK)	PLAQUE (ARRIERE)	1	\$6.15
271-2	1271202712	DEFLECTOR PLATE (FRONT)	PLAQUE DEFLECTRICE (AVANT)	1	\$29.84
272	1271202720	COUNTERSUNK HD SCREW	VIS A TETE FRAISEE	4	\$1.67
273	1271202730	BEARING SHAFT	TIGE DES ROULEMENTS	2	\$12.25
274	1271202740	BEARING ECCENTRIC SHAFT	TIGE EXCENTRIQUE/ROULEMENTS	2	\$13.74
275	1271202750	BALL BEARING	ROULEMENT A BILLES	10	\$12.59
276	1271202760	RETAINING RING/SHAFT	ANNEAU DE RETENU/TIGE	4	\$1.50
277	1271202770	ADJUSTABLE BRACKET (FRONT)	SUPPORT AJUSTABLE (AVANT)	1	\$57.10
278	1271202780	BEARING ADJUST. BRACKET (FRONT)	SUPPORT AJUST./ROULEMENTS (AV.)	1	\$26.28
278-1	1271202781	BEARING ADJ. BRACKET ASS'Y (FR.)	SUPPORT AJUST./ROULEM. ASS. (AV.)	1	\$87.34
279	1271202790	BLADE GUIDE PROTECTOR (FRONT)	PROTEGE LAME DU GUIDE (AVANT)	1	\$10.29
280	1271202800	PAN HD SCREW	VIS A TETE BOMBEE	2	\$1.67
281	1271202810	SET SCREW	VIS SANS TETE	1	\$1.67
282	1271202820	NOZZLE COCK SUPPORT	SUPPORT DU JET DU LIQUIDE/COUPE	1	\$11.44
283	1271202830	COUNTERSUNK HD SCREW	VIS A TETE FRAISEE	1	\$1.67
284	1271202840	LOCKING KNOB	BOUTON DE VERROUILLAGE	2	\$5.69
285	1271202850	WASHER	RONDELLE	2	\$1.55
286	1271202860	BLADE BACK COVER	COUVERCLE DE LAME (ARRIERE)	1	\$132.25
287	1271202870	WHEEL COVER	COUVERCLE DE ROUE	1	\$56.06
288	1271202880	WASHER	RONDELLE	4	\$1.55
289	1271202890	PAN HD SCREW	VIS A TETE BOMBEE	4	\$1.67
290	1271202900	LOCK KNOB	BOUTON DE SERRAGE	1	\$3.74
291	1271202910	PULLEY COVER	COUVERCLE DES POULIES	1	\$57.10
293	1271202930	HEX. BOLT W/WASHER	BOULON HEXAGONAL A/RONDELLE	2	\$2.01
294	1271202940	WASHER	RONDELLE	2	\$1.55
295	1271202950	KEY	CLE DE RETENUE	1	\$2.13
296	1271202960	SET SCREW	VIS SANS TETE	1	\$1.67
297	1271202970	MOTOR PULLEY	POULIE DU MOTEUR	1	\$45.71
298	1271202980	CARRIAGE BOLT	BOULON DE CARROSSERIE	4	\$2.13

Pricing subject to change without prior notice. / Prix sujet à changement sans préavis.



Parts Pricing List / Liste de Prix des Pièces **KC-712S**

Diag.	Order # Com.	English Description	Description Française	Qty./Qté.	Price/Prix
299	1271202990	HEX. BOLT	BOULON HEXAGONAL	4	\$2.13
300	1271203000	MOTOR	MOTEUR	1	\$385.25
300-1	1271203001	STARTING CAPACITOR	CONDENSATEUR DE DEMARRAGE	1	\$45.94
301	1271203010	HEX. BOLT	BOULON HEXAGONAL	2	\$2.13
302	1271203020	HEX. NUT	ECROU HEXAGONAL	2	\$1.55
303	1271203030	MOTOR MOUNT PLATE	PLAQUE DE MONTAGE DU MOTEUR	1	\$34.21
304	1271203040	HEX. NUT	ECROU HEXAGONAL	4	\$1.55
305	1271203050	HEX. BOLT	BOULON HEXAGONAL	4	\$1.73
306	1271203060	WASHER	RONDELLE	8	\$1.73
307	1271203070	MOTOR MOUNT BRACKET	SUPPORT DE MONTAGE DU MOTEUR	1	\$44.45
310	1271203100	HEX. BOLT W/WASHER	BOULON HEXAGONAL A/RONDELLE	2	\$2.02
311	1271203110	WASHER	RONDELLE	2	\$1.55
312	1271203120	SUPPORT PLATE	PLAQUE DE SUPPORT	1	\$9.95
313	1271203130	VERTICAL CUTTING TABLE	TABLE DE COUPE VERTICAL	1	\$41.00
314	1271203140	WASHER	RONDELLE	5	\$1.67
317	1271203170	VENT-PLUG	BOUCHON D'AERATION	1	\$4.20
318	1271203180	BEARING COVER	COUVERCLE DU ROULEMENT	1	\$7.53
319	1271203190	COUNTERSUNK HD SCREW	VIS A TETE FRAISEE	3	\$1.55
320	1271203200	BEARING BUSHING	BAGUE DU ROULEMENT	1	\$7.99
342	1271203420	CYLINDER UPPER SUPPORT	SUPPORT DU HAUT POUR CYLINDRE	1	\$45.83
352	1271203520	WASHER	RONDELLE	1	\$1.61
353	1271203530	HEX. BOLT	BOULON HEXAGONAL	1	\$1.73
355	1271203550	HEX. NUT	ECROU HEXAGONAL	1	\$1.61
357	1271203570	WASHER	RONDELLE	1	\$1.73
358	1271203580	HEX. BOLT	BOULON HEXAGONAL	1	\$1.73
359	1271203590	FIXING PLATE	PLAQUE DE FIXATION	1	\$13.74
360	1271203600	SWIVEL ARM	BRAS DE PIVOTEMENT	1	\$454.25
361	1271203610	THREADED SEAT FLANGE	BRIDE-SIEGE FILETEE	1	\$84.81
365	1271203650	CAP SCREW	BOULON A TETE CYLINDRIQUE	4	\$1.84
366	1271203660	CAP SCREW	BOULON A TETE CYLINDRIQUE	4	\$3.74
367	1271203670	HEX. BOLT	BOULON HEXAGONAL	1	\$2.70
368	1271203680	HEX. NUT	ECROU HEXAGONAL	1	\$1.67
371	1271203710	PIVOTING ARM CROWN	COURRONNE DU BRAS PIVOTANT	1	\$212.75
372	1271203720	ROUND CROWN PLATE	PLAQUE RONDE DE LA COURONNE	1	\$28.46
373	1271203730	SET SCREW	VIS SANS TETE	8	\$2.47
374	1271203740	COMPRESSION SPRING	RESSORT A COMPRESSION	4	\$3.05
375	1271203750	SPECIAL PIN	GOUPILLE SPECIALE	4	\$3.16
377	1271203770	WASHER	RONDELLE	2	\$1.61
381	1271203810	SPRING SCREW BRACKET	SUPPORT POUR L'OEILLET DU RESSORT	1	\$5.00
382	1271203820	BRACKET	SUPPORT	1	\$31.57
385	1271203850	WISE JAW BRACKET (REAR)	MACHOIRE DE L'ETAU (ARRIERE)	1	\$34.44
386	1271203860	WISE JAW BRACKET (FRONT)	MACHOIRE DE L'ETAU (AVANT)	1	\$68.60
387	1271203870	SWIVEL ARM COVER	COUVERCLE DU BRAS PIVOTANT	1	\$80.44
389	1271203890	CAP SCREW	BOULON A TETE CYLINDRIQUE	6	\$1.90
390	1271203900	CAP SCREW	BOULON A TETE CYLINDRIQUE	4	\$2.24
392	1271203920	DEGREE INDICATOR	INDICATEUR DE DEGREE	1	\$3.39
394	1271203940	CYLINDER LOWER SUPPORT	SUPPORT DU BAS DU CYLINDRE	1	\$17.19
395	1271203950	HEX. BOLT	ECROU HEXAGONAL	3	\$2.01

Pricing subject to change without prior notice. / Prix sujet à changement sans préavis.



Parts Pricing List / Liste de Prix des Pièces

KC-712S

Diag.	Order # Com.	English Description	Description Française	Qty./Qté.	Price/Prix
396	1271203960	HEX. BOLT	BOULON HEXAGONAL	1	\$2.01
397	1271203970	HEX. NUT	ECROU HEXAGONAL	1	\$1.55
398	1271203980	HEX. BOLT	BOULON HEXAGONAL	2	\$1.73
399	1271203990	DEGREE SCALE	ECHELLE DE DEGREE	1	\$3.74
403	1271204030	ANGLE FIXED BRACKET	SUPPORT EN ANGLE FIXE	1	\$9.95
404	1271204040	HEX. BOLT W/WASHER	BOULON HEXAGONAL A/RONDELLE	1	\$2.01
406	1271204060	STAND WHEEL ROD	TIGE POUR ROUES	2	\$26.16
407	1271204070	COTTER PIN	GOUPILLE FENDUE	4	\$2.59
415-1	1271204151	COMPLETE STAND (SPEC. ORDER)	COMPLETE BASE (COMM. SPECIAL)	1	\$672.75
427	1271204270	"T" SHAPED SUPPORT	SUPPORT DE RETENU EN "T"	1	\$11.44
433	1271204330	HEX. BOLT	BOULON HEXAGONAL	4	\$3.39
434	1271204340	HEX. NUT	ECROU HEXAGONAL	4	\$1.78
435	1271204350	SPRING WASHER	RONDELLE	1	\$2.01
437	1271204370	SWIVEL ARM LOCK PLATE	PLAQUE DE VERROUILLAGE	1	\$19.26
438	1271204380	LOCKING HANDLE	POIGNEE DE VERROUILLAGE	1	\$44.45
439	1271204390	SPRING WASHER	RONDELLE A RESSORT	1	\$1.55
440	1271204400	SPLASH TRAY	PLATEAU ANTI-ECLAT	1	\$52.73
441	1271204410	PAN HD SCREW	VIS A TETE BOMBEE	2	\$1.78
443	1271204430	PIVOTING STOP BRACKET	SUPPORT D'ARRET DU PIVOTEMENT	1	\$34.33
446	1271204460	SWIVEL BASE	BASE DE PIVOTEMENT	1	\$286.35
600	1271206000	CRANK HANDLE	POIGNEE DE L'EXCENTRIQUE	1	\$12.59
601	1271206010	CRANK ARM	BRAS EXCENTRIQUE	1	\$32.03
602	1271206020	SET SCREW	VIS SANS TETE	1	\$1.67
603	1271206030	CRANK ARM BRACKET	SUPPORT DU BRAS EXCENTRIQUE	1	\$63.19
604	1271206040	WASHER	RONDELLE	1	\$1.90
605	1271206050	HEX. BOLT	BOULON HEXAGONAL	2	\$2.13
606	1271206060	WASHER	RONDELLE	2	\$1.67
607	1271206070	SPRING PIN	GOUPILLE A RESSORT	1	\$2.13
608	1271206080	PRESSURE FLANGE	BRIDE DE PRESSION	1	\$57.44
609	1271206090	FLANGE HANDLE	POIGNEE DE LA BRIDE	1	\$28.69
610	1271206100	HANDLE KNOB	BOUTON DE LA POIGNEE	1	\$4.20
611	1271206110	THRUST BEARING	ROULEMENT A BUTEE	1	\$25.24
612	1271206120	WASHER	RONDELLE	1	\$1.90
613	1271206130	COMPRESSION SPRING	RESSORT A COMPRESSION	1	\$10.29
614	1271206140	WISE BASE (SPECIAL ORDER)	SOCLE DE L'ETAU (COMM. SPEC.)	1	\$385.25
615	1271206150	WISE SCREW	TIGE VISSEE DE L'ETAU	1	\$57.10
616	1271206160	WISE SCREW NUT	ECROU DE LA TIGE VISSEE	1	\$40.19
901	1271209010	ELECTRICAL CONTROL BOX (ONLY)	BOITE ELECTRIQUE/CONT. (SEULEMENT)	1	\$53.88
904-2	1271209042	SWITCH BOX (ONLY)	BOITE D'INTERRUPTEUR (SEULEMENT)	1	\$68.94
905	1271209050	SQUARE LIMIT SWITCH	INTERRUPTEUR DE CONTACT (CARRE)	1	\$74.58
906	1271209060	EMERGENCY SAFETY SWITCH	INTERRUPTEUR ARRET D'URGENCE	1	\$78.95
907	1271209070	START BUTTON (GREEN)	BOUTON DE DEMARRAGE (VERT)	1	\$68.94
908	1271209080	POWER CORD W/PLUG (220V)	CORDON D'ALIMENT. A/ FICHE (220V)	1	\$21.79
909	1271209090	MOTOR CORD	CORDON DU MOTEUR	1	\$16.04
910	1271209100	SWITCH CORD	CORDON DE L'INTERRUPTEUR	1	\$18.34
911	1271209110	LIMIT SWITCH CORD	CORDON DE L'INTERR./CONTACT	1	\$13.74
914	1271209140	PUMP CORD	CORDON DE LA POMPE	1	\$10.29
	127120MBIL	BILINGUAL MANUAL KC-712S	MANUEL BILINGUE KC-712S	1	\$15.00

Pricing subject to change without prior notice. / Prix sujet à changement sans préavis.

Free Manuals Download Website

<http://myh66.com>

<http://usermanuals.us>

<http://www.somanuals.com>

<http://www.4manuals.cc>

<http://www.manual-lib.com>

<http://www.404manual.com>

<http://www.luxmanual.com>

<http://aubethermostatmanual.com>

Golf course search by state

<http://golfingnear.com>

Email search by domain

<http://emailbydomain.com>

Auto manuals search

<http://auto.somanuals.com>

TV manuals search

<http://tv.somanuals.com>