



# Service Manual / Manuel de Service

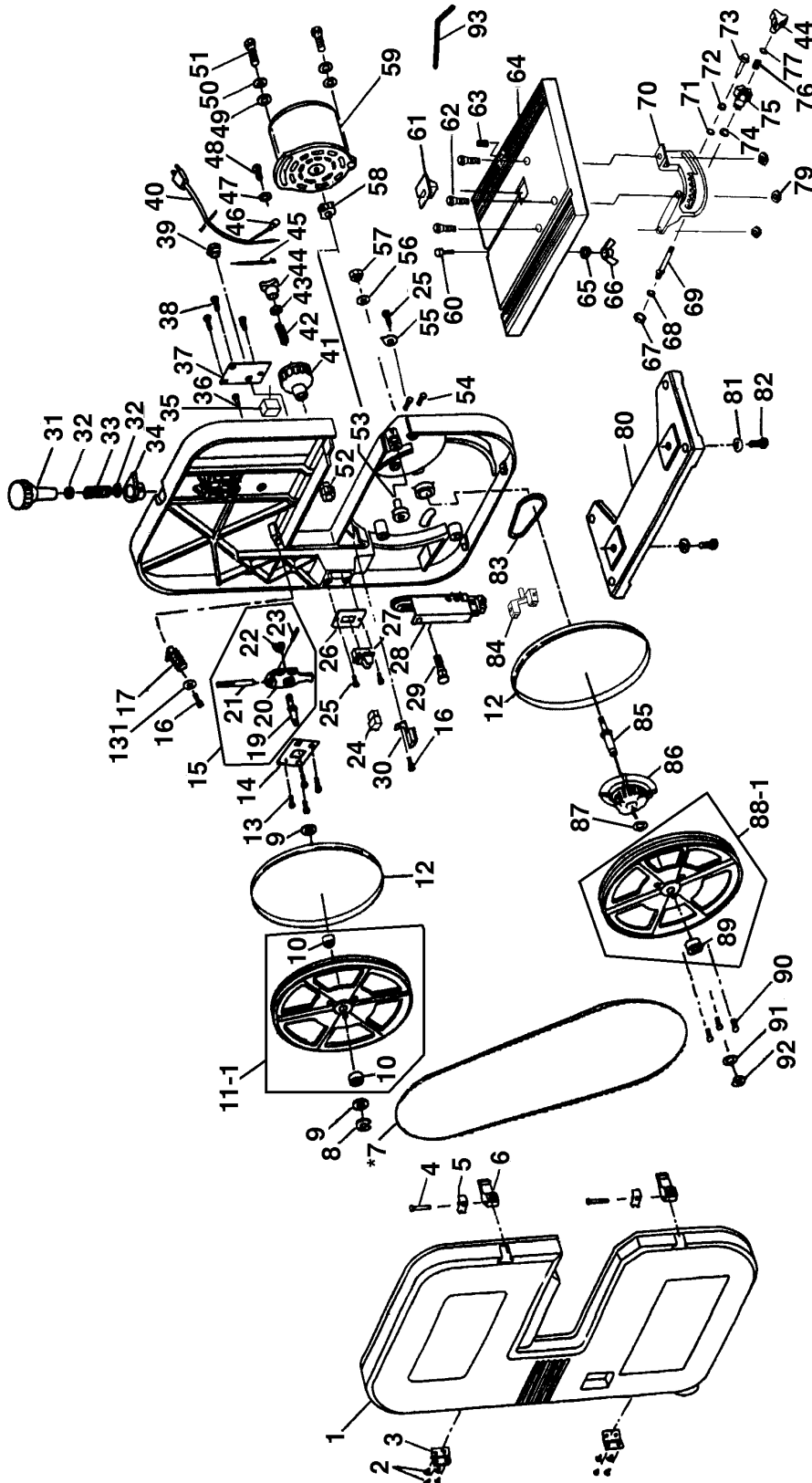
## 9" Wood Bandsaw Scie à Ruban pour Bois 9"



Revised/Revisé 08/2008

### Main Diagram / Diagramme Principale

# KC-901C





# Service Manual / Manuel de Service

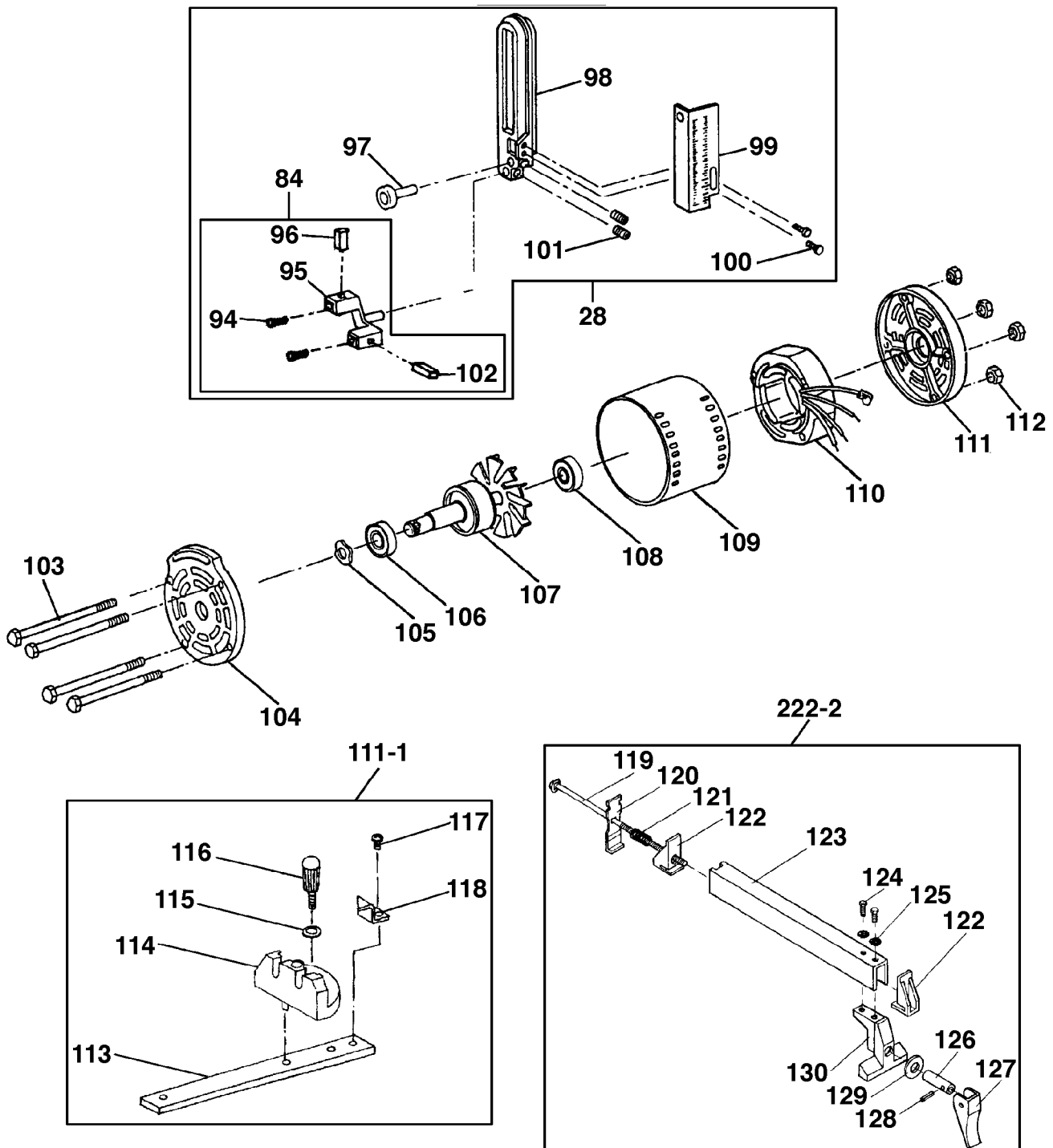
## 9" Wood Bandsaw Scie à Ruban pour Bois 9"



Revised/Revisé 08/2008

### Motor, Guard, Miter Gauge and Rip Fence Diagram / Diagramme du Moteur, Garde, Guide à Onglets et du Guide à Refendre

**KC-901C**





## Parts Pricing List / Liste de Prix des Pièces

# KC-901C

Diag.	Order # Com.	English Description	Description Française	Qty./Qté.	Price/Prix
1	0509010010	FRONT DOOR	PORTE AVANT	1	\$38.93
2	0509010020	RIVET	RIVET	8	\$2.01
3	0509010030	HINGE	PENTURE	2	\$2.59
4	0509010040	PIN	GOUPILLE	2	\$2.01
5	0509010050	SPRING PLATE	PLAQUE A RESSORT	2	\$2.24
6	0509010060	COVER LOCKING LATCH	LOQUET DE VERROUILLAGE	2	\$4.20
7	KBB-9	BLADE	LAME	1	-
8	0509010080	RETAINING RING/SHAFT	ANNEAU DE RETENU/TIGE	1	\$1.50
9	0509010090	NYLON WASHER	RONDELLE EN NYLON	2	\$2.13
10	0509010100	BALL BEARING	ROULEMENT A BILLES	2	\$12.59
11-1	0509010111	IDLER WHEEL/BEARING ASS'Y	ROUE DE HAUT ASS. A/ ROULEMENT	1	\$56.29
12	0509010120	WHEEL TIRE	PROTECTEUR DE ROUE	2	\$6.84
13	0509010130	PAN HD. SCREW	VIS A TETE BOMBEE	4	\$1.67
14	0509010140	PLATE	PLAQUE	1	\$5.58
15	0509010150	WHEEL SUPPORT ASS'Y	SUPPORT DE LA ROUE DU HAUT ASS.	1	\$22.94
16	0509010160	PAN HD. SCREW	VIS A TETE BOMBEE	2	\$1.55
17	0509010170	UPPER BRUSH	BROSSE DU HAUT	1	\$6.38
19	0509010190	UPPER SHAFT	TIGE DE LA ROUE (HAUT)	1	\$10.29
20	0509010200	WHEEL SUPPORT	SUPPORT DE LA ROUE	1	\$10.75
21	0509010210	THREADED SHAFT	TIGE FILETEE	1	\$3.16
22	0509010220	HEX. NUT	ECROU HEXAGONAL	1	\$1.55
23	0509010230	SPRING PIN	GOUPILLE A RESSORT	1	\$2.01
24	0509010240	SWITCH KEY	CLE DE SECURITE	1	\$3.39
25	0509010250	PAN HD. SCREW	VIS A TETE BOMBEE	3	\$1.55
26	0509010260	SWITCH COVER	COUVERCLE DE L'INTERRUPTEUR	1	\$3.16
27	0509010270	SWITCH (2 PRONG)	INTERRUPTEUR (2 PATTES)	1	\$7.65
28	0509010280	SLIDE, BLADE GUARD & SCALE ASS'Y	GUIDE DE LAME, GARDE ET ECHELLE	1	\$38.70
29	0509010290	CARRIAGE BOLT	BOULON A CARROSSERIE	1	\$1.90
30	0509010300	LOWER BRUSH	BROSSE INFERIEURE	1	\$6.61
31	0509010310	ADJUSTMENT KNOB	BOUTON D'AJUSTEMENT	1	\$7.76
32	0509010320	WASHER	RONDELLE	2	\$1.61
33	0509010330	COMPRESSION SPRING	RESSORT A COMPRESSION	1	\$3.74
34	0509010340	KNOB COVER	COUVERCLE DU BOUTON	1	\$2.70
35	0509010350	CAPACITOR	CONDENSATEUR	1	\$14.55
36	0509010360	SET SCREW	VIS SANS TETE	1	\$1.67
37	0509010370	PLATE COVER	COUVERCLE DE LA PLAQUE	1	\$4.20
38	0509010380	PAN HD. SCREW	VIS A TETE BOMBEE	3	\$1.55
39	0509010390	STRAIN RELIEF	ATTACHE FIL	1	\$2.59
40	0509010400	POWER CORD	CORDON D'ALIMENTATION	1	\$17.19
41	0509010410	DRIVE KNOB	BOUTON D'OPERATION	1	\$7.53
42	0509010420	COMPRESSION SPRING	RESSORT A COMPRESSION	1	\$3.39
43	0509010430	WASHER	RONDELLE	1	\$1.55
44	0509010440	LOCKING KNOB	BOUTON DE VERROUILLAGE	2	\$3.97
45	0509010450	CONNECTOR WIRE	FIL DE CONNECTION	1	\$3.28
46	0509010460	CONNECTOR WIRE	FIL DE CONNECTION	1	\$3.28
47	0509010470	TOOTH WASHER	RONDELLE DENTELEE	1	\$1.67
48	0509010480	PAN HD. SCREW	VIS A TETE BOMBEE	1	\$1.55

Pricing subject to change without prior notice. / Prix sujet à changement sans préavis.



## Parts Pricing List / Liste de Prix des Pièces

# KC-901C

Diag.	Order # Com.	English Description	Description Française	Qty./Qté.	Price/Prix
49	0509010490	WASHER	RONDELLE	2	\$1.61
50	0509010500	SPRING WASHER	RONDELLE A RESSORT	2	\$1.67
51	0509010510	HEX. BOLT	BOULON HEXAGONAL	2	\$1.90
52	0509010520	PLASTIC GEAR	ENGRENAGE EN PLASTIQUE	1	\$6.15
53	0509010530	BEARING & SHAFT	TIGE & ROULEMENT A BILLES	1	\$12.36
54	0509010540	CAP SCREW	BOULON A TETE CYLINDRIQUE	2	\$1.67
55	0509010550	BEVEL INDICATOR	INDICATEUR D'ANGLE	1	\$2.24
56	0509010560	SPRING WASHER	RONDELLE A RESSORT	1	\$1.67
57	0509010570	HEX. NUT	ECROU HEXAGONAL	1	\$1.55
58	0509010580	DRIVE TOOTH PULLEY	POULIE DENTELEE D'ENTRAINEMENT	1	\$9.95
59	0509010590	MOTOR ASSEMBLY	MOTEUR ASSEMBLE	1	\$114.83
60	0509010600	HEX. BOLT	BOULON HEXAGONAL	1	\$1.55
61	0509010610	TABLE INSERT	INSERTION DE TABLE	1	\$3.74
62	0509010620	COUNTERSUNK SCREW	VIS A TETE FRAISEE	3	\$1.78
63	0509010630	SET SCREW	VIS SANS TETE	1	\$1.67
64	0509010640	TABLE	TABLE	1	\$57.44
65	0509010650	WASHER	RONDELLE	1	\$1.55
66	0509010660	WING NUT	ECROU PAPILLON	1	\$2.01
67	0509010670	FLANGE HD. NUT	ECROU A TETE BRIDEE	1	\$2.01
68	0509010680	SPRING WASHER	RONDELLE A RESSORT	1	\$1.55
69	0509010690	TRUNNION THREADED SHAFT	TIGE FILETEE DU TOURILLON	1	\$12.59
70	0509010700	TRUNNION	TOURILLON	1	\$20.53
71	0509010710	WASHER	RONDELLE	1	\$1.55
72	0509010720	WAVE WASHER	RONDELLE ONDULEE	1	\$1.67
73	0509010730	FLANGE HD. BOLT	BOULON A TETE BRIDEE	1	\$2.59
74	0509010740	SPECIAL WASHER	RONDELLE SPECIALE	1	\$2.01
75	0509010750	ADJUSTING KNOB	BOUTON D'AJUSTEMENT	1	\$5.69
76	0509010760	SPRING	RESSORT	1	\$2.70
77	0509010770	WASHER	RONDELLE	1	\$1.55
79	0509010790	HEX. NUT	ECROU HEXAGONAL	3	\$1.55
80	0509010800	BASE	SOCLE	1	\$34.33
81	0509010810	SPRING WASHER	RONDELLE A RESSORT	2	\$1.55
82	0509010820	HEX. BOLT	BOULON HEXAGONAL	2	\$1.67
83	0509010830	TOOTH BELT	COURROIE DENTELEE	1	\$14.78
84	0509010840	COMPLETE SUPPORT GUIDE ASS.	GUIDE DE LAME COMPLET ASS.	1	\$11.21
85	0509010850	LOWER SHAFT	TIGE DE LA ROUE (BAS)	1	\$14.66
86	0509010860	IDLER TOOTH PULLEY	POULIE DENTELEE NEUTRE	1	\$12.48
87	0509010870	NYLON WASHER	RONDELLE EN NYLON	1	\$1.67
88-1	0509010881	DRIVE WHEEL/BUSHING ASS'Y	ROUE DU BAS AVEC BAGUE ASS.	1	\$50.43
89	0509010890	COPPER BUSHING	BAGUE EN CUIVRE	1	\$7.53
90	0509010900	TAPPING SCREW	VIS AUTOTARAUDEUSE	3	\$1.67
91	0509010910	NYLON WASHER	RONDELLE EN NYLON	1	\$1.67
92	0509010920	RETAINING RING/SHAFT	ANNEAU DE RETENU/TIGE	1	\$1.55
93	0509010930	HEX. KEY	CLE HEXAGONALE	1	\$2.59
94	0509010940	CAP SCREW	BOULON A TETE CYLINDRIQUE	2	\$1.67
95	0509010950	GUIDE SUPPORT	SUPPORT DU GUIDE	1	\$8.80
96	0509010960	GUIDE BLOCK (ANGLE TIP)	BLOC DU GUIDE (BOUT EN ANGLE)	2	\$2.59

Pricing subject to change without prior notice. / Prix sujet à changement sans préavis.



## Parts Pricing List / Liste de Prix des Pièces

# KC-901C

Diag.	Order # Com.	English Description	Description Française	Qty./Qté.	Price/Prix
97	0509010970	BEARING & SHAFT	TIGE ET ROULEMENT A BILLES	1	\$11.33
98	0509010980	UPPER SLIDE	GLISSIERE SUPERIEURE	1	\$14.43
99	0509010990	BLADE GUARD/DEPTH SCALE	GARDE DE LA LAME/EHELLE	1	\$8.45
100	0509011000	PAN HD. SCREW	VIS A TETE BOMBEE	2	\$1.55
101	0509011010	SET SCREW	VIS SANS TETE	2	\$1.67
102	0509011020	GUIDE BLOCK (SQUARE TIP)	BLOC DU GUIDE (BOUT CARRE)	2	\$1.67
103	0509011030	HEX. BOLT	BOULON HEXAGONAL	4	\$3.16
104	0509011040	REAR MOTOR COVER	COUVERCLE DU MOTEUR ARRIERE	1	\$13.74
105	0509011050	WAVE WASHER	RONDELLE ONDULEE	1	\$2.01
106	0509011060	BALL BEARING	ROULEMENT A BILLES	1	\$11.44
107	0509011070	ARMATURE	ARMATURE	1	\$41.11
108	0509011080	BALL BEARING	ROULEMENT A BILLES	1	\$10.29
109	0509011090	MOTOR HOUSING	BOITIER DU MOTEUR	1	\$14.55
110	0509011100	FIELD COIL	BOBINE D'ENTRAINEMENT	1	\$91.94
111	0509011110	FRONT MOTOR COVER	COUVERCLE DU MOTEUR AVANT	1	\$13.74
111-1	0509011111	MITER GAUGE ASSEMBLY	GUIDE A ONGLETS ASSEMBLE	1	\$21.33
112	0509011120	HEX. NUT	ECROU HEXAGONAL	4	\$1.55
113	0509011130	MITER GAUGE BAR	BARRE DU GUIDE A ONGLETS	1	\$8.80
114	0509011140	MITER GAUGE BODY	CORPS DU GUIDE A ONGLETS	1	\$10.75
115	0509011150	WASHER	RONDELLE	1	\$1.67
116	0509011160	MITER GAUGE HANDLE	POIGNEE DU GUIDE A ONGLETS	1	\$2.93
117	0509011170	PAN HD. SCREW	VIS A TETE BOMBEE	1	\$1.55
118	0509011180	POINTER	INDICATEUR	1	\$2.47
119	0509011190	CLAMP ROD	TIGE FILETEE POUR GUIDE	1	\$7.30
120	0509011200	REAR CLAMP	ATTACHE ARRIERE	1	\$3.74
121	0509011210	COMPRESSION SPRING	RESSORT A COMPRESSION	1	\$2.70
122	0509011220	GUIDE	GUIDE	2	\$3.85
123	0509011230	RIP FENCE BODY	CORPS DU GUIDE	1	\$12.59
124	0509011240	HEX. BOLT	BOULON HEXAGONAL	2	\$1.55
125	0509011250	TOOTH WASHER	RONDELLE DENTELEE	2	\$1.73
126	0509011260	TENSION CYLINDER	CYLINDRE DE TENSION	1	\$4.54
127	0509011270	RIP FENCE TENSION LOCK	VERROU DU GUIDE A REFENDRE	1	\$7.88
128	0509011280	ROLL PIN	GOUPILLE	1	\$2.01
129	0509011290	WASHER	RONDELLE	1	\$1.61
130	0509011300	FRONT CLAMP	SUPPORT DU GUIDE/TABLE	1	\$12.13
131	0509011310	WASHER	RONDELLE	1	\$1.55
222-2	0509012222	COMPLETE RIP FENCE ASSEMBLY	GUIDE A REFENDRE COMPLET ASS.	1	\$41.34
555-5	0509015555	HARDWARE BAG	SAC DE QUINCAILLERIE	1	\$16.04
	050901MBIL	BILINGUAL MANUAL KC-901C	MANUEL BILINGUE KC-901C	1	\$15.00

Pricing subject to change without prior notice. / Prix sujet à changement sans préavis.

## Free Manuals Download Website

<http://myh66.com>

<http://usermanuals.us>

<http://www.somanuals.com>

<http://www.4manuals.cc>

<http://www.manual-lib.com>

<http://www.404manual.com>

<http://www.luxmanual.com>

<http://aubethermostatmanual.com>

Golf course search by state

<http://golfingnear.com>

Email search by domain

<http://emailbydomain.com>

Auto manuals search

<http://auto.somanuals.com>

TV manuals search

<http://tv.somanuals.com>