



Service Manual / Manuel de Service

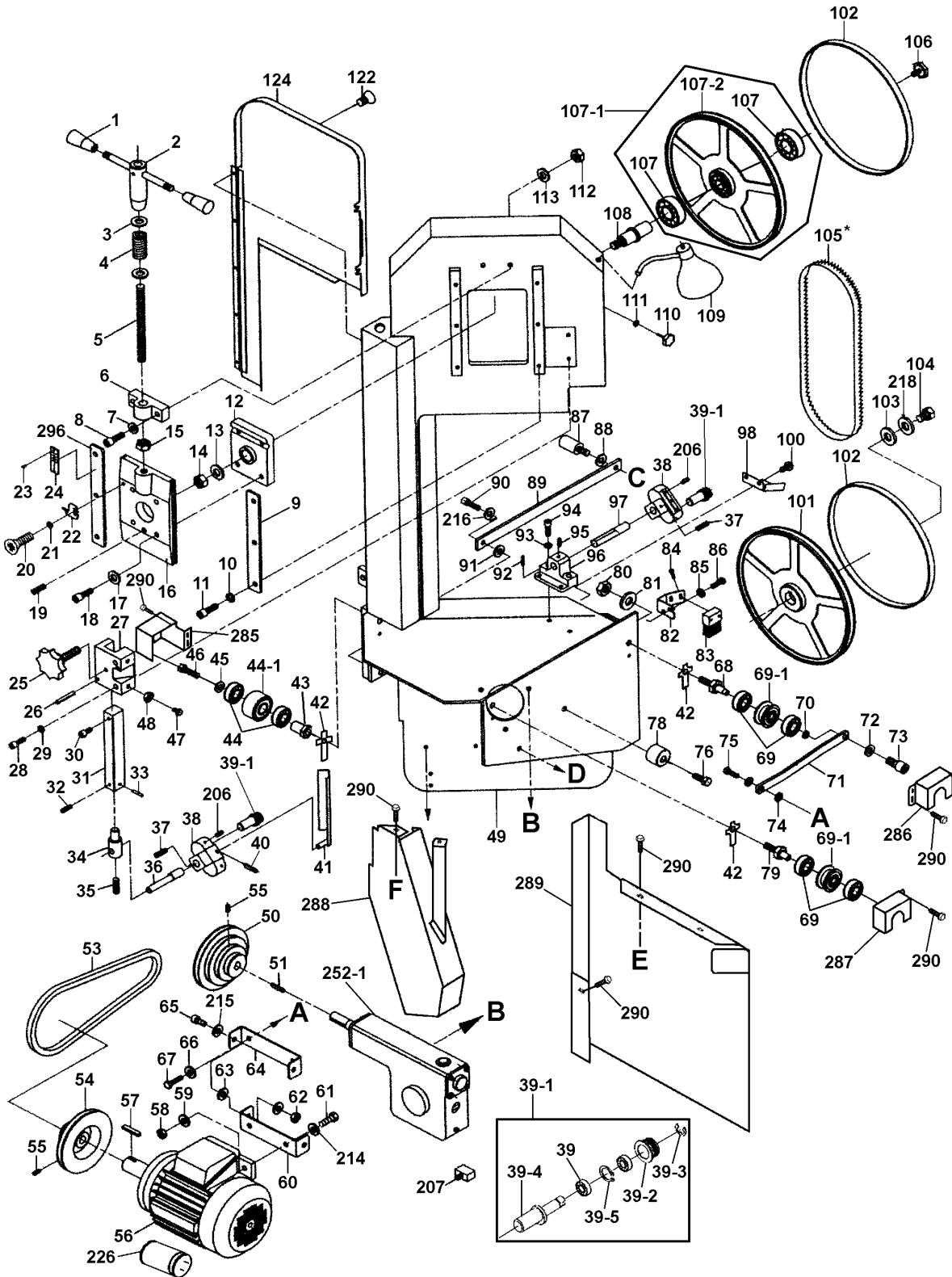
14" Self-Feed Vertical Metal Cutting Bandsaw
Scie à Ruban Verticale 14" pour Métal à Auto-Alimentation



Revised/Revisé 08/2008

Head Diagram / Diagramme de la Tête

KC-914H





Service Manual / Manuel de Service

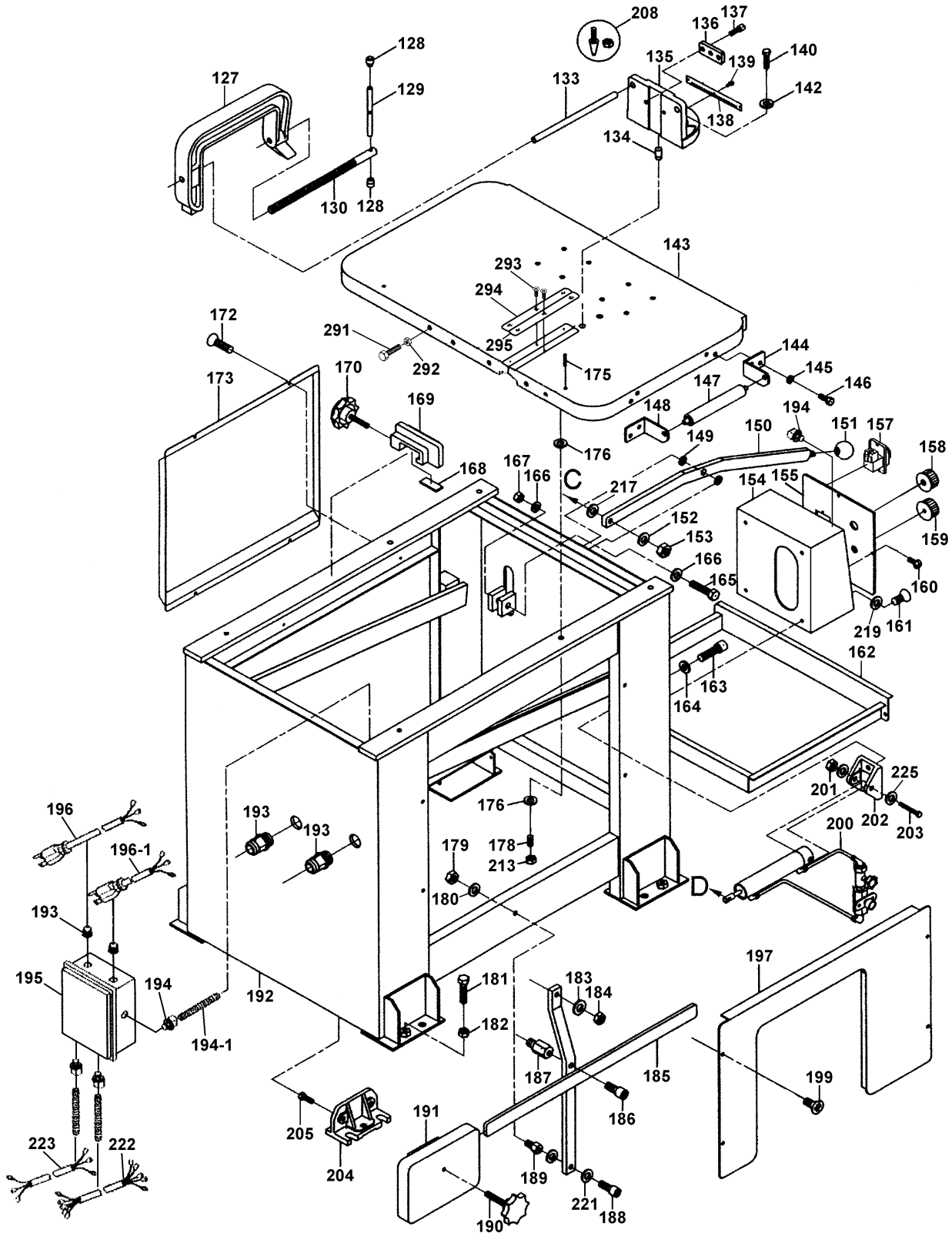
14" Self-Feed Vertical Metal Cutting Bandsaw
Scie à Ruban Verticale 14" pour Métal à Auto-Alimentation



Revised/Revisé 08/2008

Cabinet Diagram / Diagramme du Cabinet

KC-914H





Service Manual / Manuel de Service

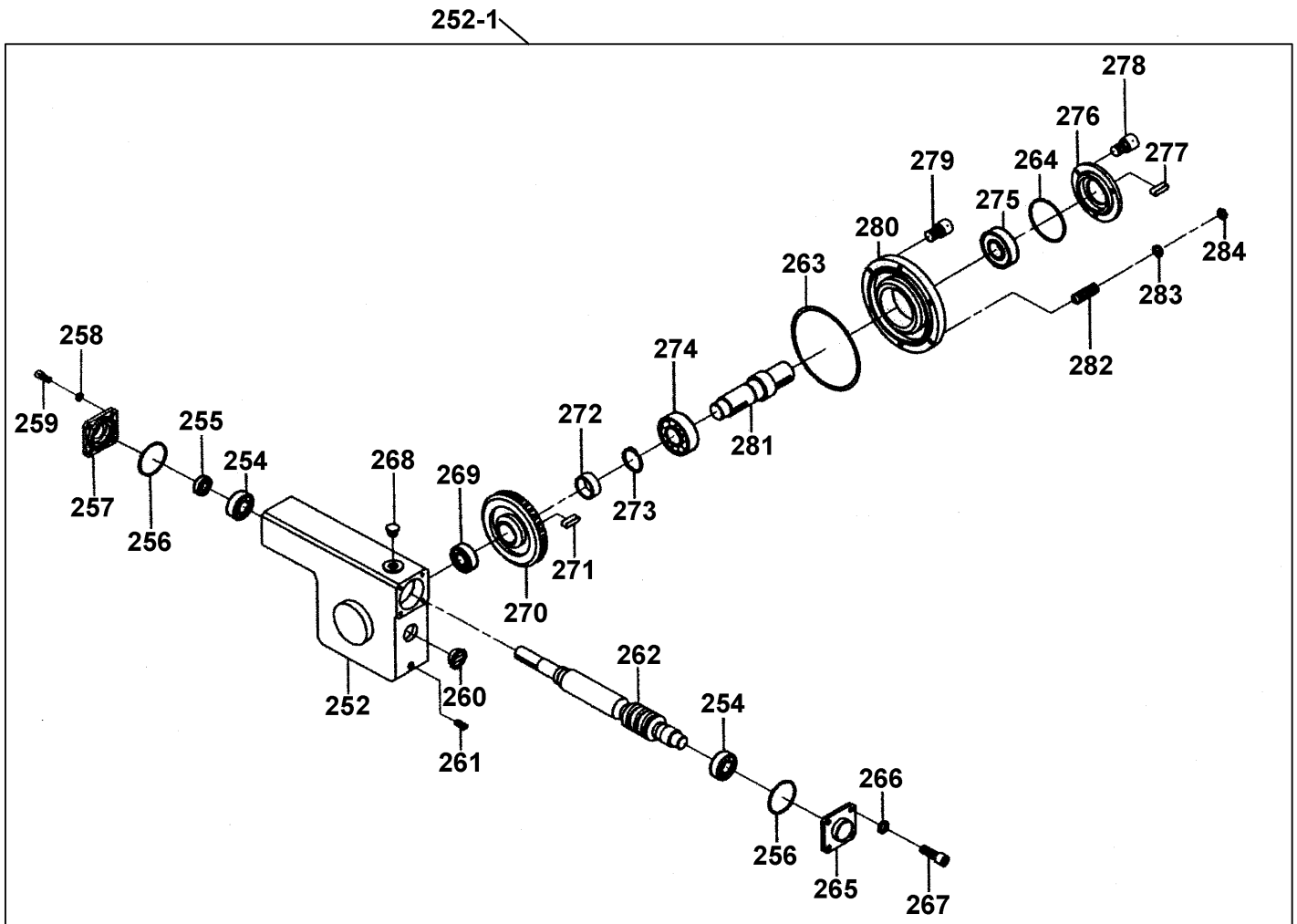
14" Self-Feed Vertical Metal Cutting Bandsaw
Scie à Ruban Verticale 14" pour Métal à Auto-Alimentation



Revised/Revisé 08/2008

Gear Box Diagram / Diagramme du Boîtier D'Engrenage

KC-914H





Parts Pricing List / Liste de Prix des Pièces **KC-914H**

Diag.	Order # Com.	English Description	Description Française	Qty./Qté.	Price/Prix
1	1209140010	HANDLE KNOB	BOUTON DE POIGNEE	2	\$7.53
2	1209140020	"T" ADJUSTING HANDLE	POIGNEE D'AJUSTEMENT EN "T"	1	\$68.83
3	1209140030	WASHER	RONDELLE	2	\$2.47
4	1209140040	SPRING	RESSORT	1	\$7.99
5	1209140050	THREADED ROD	TIGE FILETEE	1	\$21.79
6	1209140060	BRACKET	SUPPORT	1	\$45.60
7	1209140070	WASHER	RONDELLE	2	\$2.13
8	1209140080	CAP SCREW	BOULON A TETE CYLINDRIQUE	2	\$2.24
9	1209140090	GIB	GLISSIERE	1	\$34.10
10	1209140100	SPRING WASHER	RONDELLE A RESSORT	6	\$1.55
11	1209140110	CAP SCREW	BOULON A TETE CYLINDRIQUE	6	\$2.24
12	1209140120	DRIVE SHAFT HOLDER	SUPPORT POUR TIGE DE LA ROUE	1	\$79.18
13	1209140130	WASHER	RONDELLE	1	\$2.93
14	1209140140	HEX. NUT	ECROU HEXAGONAL	1	\$2.13
15	1209140150	HEX. NUT	ECROU HEXAGONAL	1	\$2.13
16	1209140160	SLIDING BRACKET	SUPPORT COULISSANT	1	\$114.71
17	1209140170	WASHER	RONDELLE	4	\$2.13
18	1209140180	CAP SCREW	BOULON A TETE CYLINDRIQUE	4	\$2.24
19	1209140190	SET SCREW	VIS SANS TETE	1	\$1.78
20	1209140200	COUNTERSUNK SCREW	VIS A TETE FRAISEE	1	\$1.67
21	1209140210	WASHER	RONDELLE	1	\$1.55
22	1209140220	TENSION POINTER	INDICATEUR DE TENSION	1	\$4.54
23	1209140230	RIVET	RIVET	2	\$1.55
24	1209140240	TENSION SCALE	EHELLE DE TENSION	1	\$6.73
25	1209140250	LOCK KNOB	BOUTON DE VERROUILLAGE	1	\$13.63
26	1209140260	SPRING PIN	GOUPILLE A RESSORT	2	\$2.01
27	1209140270	SLIDING BLOCK	BLOC DE COULISSEMENT	1	\$91.60
28	1209140280	CAP SCREW	BOULON A TETE CYLINDRIQUE	2	\$2.59
29	1209140290	WASHER	RONDELLE	2	\$2.13
30	1209140300	CAP SCREW	BOULON A TETE CYLINDRIQUE	1	\$1.67
31	1209140310	DRIVE EXPANSION POST	POTEAU D'EXTENSION	1	\$91.71
32	1209140320	SET SCREW	VIS SANS TETE	1	\$1.55
33	1209140330	SPRING PIN	GOUPILLE A RESSORT	1	\$2.13
34	1209140340	HOLDER BRACKET	SUPPORT DE RETENU	1	\$34.10
35	1209140350	SET SCREW	VIS SANS TETE	1	\$1.78
36	1209140360	UPPER SHAFT	TIGE DU HAUT	1	\$54.45
37	1209140370	SET SCREW	VIS SANS TETE	2	\$1.78
38	1209140380	GUIDE BRACKET	SUPPORT GUIDE	2	\$67.33
39	1209140390	BALL BEARING	ROULEMENT A BILLES	8	\$14.43
39-1	1209140391	BEARINGS & SHAFT ASS'Y	TIGE & ROULEMENTS ASSEMBLEE	4	\$183.83
39-2	1209140392	BLADE WHEEL	ROUE POUR LAME	4	\$68.94
39-3	1209140393	"E" RETAINING RING	ANNEAU DE RETENU EN "E"	4	\$1.55
39-4	1209140394	BEARING SHAFT	ARBRE POUR ROULEMENTS	4	\$22.94
39-5	1209140395	RETAINING RING/SHAFT	ANNEAU DE RETENU/TIGE	4	\$2.24
40	1209140400	SET SCREW	VIS SANS TETE	1	\$1.55
41	1209140410	BLADE GUARD	PROTECTEUR DE LAME	1	\$34.33
42	1209140420	RETAINING CROSS PLATE	CROIX DE RETENUE	3	\$6.84

Pricing subject to change without prior notice. / Prix sujet à changement sans préavis.



Parts Pricing List / Liste de Prix des Pièces **KC-914H**

Diag.	Order # Com.	English Description	Description Française	Qty./Qté.	Price/Prix
43	1209140430	ECCENTRIC SHAFT	TIGE EXCENTRIQUE	1	\$44.45
44	1209140440	BALL BEARING	ROULEMENT A BILLES	2	\$22.94
44-1	1209140441	BEARINGS & ROLLER ASS'Y	ROULEMENTS & ROULEAU ASS.	1	\$73.43
45	1209140450	WASHER	RONDELLE	1	\$1.90
46	1209140460	HEX. BOLT	BOULON HEXAGONAL	1	\$2.70
47	1209140470	CAP SCREW	BOULON A TETE CYLINDRIQUE	2	\$2.24
48	1209140480	HEX. NUT	ECROU HEXAGONAL	2	\$1.61
49	1209140490	BODY FRAME (SPECIAL ORDER)	CHASSIS DU HAUT (COMM. SPEC.)	1	\$1,017.75
50	1209140500	GEAR BOX PULLEY	POULIE DU BOITIER D'ENGRENAGE	1	\$84.58
51	1209140510	KEY	CLE DE RETENUE	1	\$2.13
53	1209140530	V-BELT	COURROIE EN "V"	1	\$29.61
54	1209140540	MOTOR PULLEY	POULIE DU MOTEUR	1	\$84.58
55	1209140550	SET SCREW	VIS SANS TETE	2	\$1.55
56	1209140560	MOTOR	MOTEUR	1	\$569.25
57	1209140570	KEY	CLE DE RETENUE	1	\$2.36
58	1209140580	HEX. NUT	ECROU HEXAGONAL	2	\$1.61
59	1209140590	SPRING WASHER	RONDELLE A RESSORT	2	\$1.55
60	1209140600	MOTOR MOUNT BRACKET	SUPPORT DE MONTAGE DU MOTEUR	1	\$29.84
61	1209140610	HEX. BOLT	BOULON HEXAGONAL	2	\$1.90
62	1209140620	HEX. NUT	ECROU HEXAGONAL	2	\$1.61
63	1209140630	WASHER	RONDELLE	4	\$1.67
64	1209140640	MOTOR HOLDER BRACKET	RONDELLE DE RETENU DU MOTEUR	1	\$29.84
65	1209140650	CAP SCREW	BOULON A TETE CYLINDRIQUE	2	\$2.01
66	1209140660	SPRING WASHER	RONDELLE A RESSORT	2	\$1.55
67	1209140670	HEX. BOLT	BOULON HEXAGONAL	2	\$1.67
68	1209140680	ECCENTRIC SHAFT	TIGE EXCENTRIQUE	1	\$52.61
69	1209140690	BALL BEARING	ROULEMENT A BILLES	4	\$11.10
69-1	1209140691	BEARINGS & ROLLER ASS'Y	ROULEMENTS & ROULEAU ASS.	2	\$114.60
70	1209140700	SPACER BUSHING	BAGUE D'ESPACEMENT	1	\$5.35
71	1209140710	WEIGHT BALANCE BAR	BARRE DU CONTREPOIDS	1	\$21.33
72	1209140720	WASHER	RONDELLE	1	\$1.55
73	1209140730	CAP SCREW	BOULON A TETE CYLINDRIQUE	1	\$1.90
74	1209140740	WASHER	RONDELLE	2	\$1.67
75	1209140750	HEX. BOLT	BOULON HEXAGONAL	1	\$2.13
76	1209140760	HEX. BOLT	BOULON HEXAGONAL	1	\$2.59
78	1209140780	ECCENTRIC ROLLER	ROULEAU EXCENTRIQUE	1	\$33.06
79	1209140790	ECCENTRIC SHAFT	TIGE EXCENTRIQUE	1	\$38.93
80	1209140800	HEX. NUT	ECROU HEXAGONAL	2	\$1.67
81	1209140810	WASHER	RONDELLE	2	\$2.13
82	1209140820	BRUSH HOLDER	PORTE-BROSSE	1	\$14.43
83	1209140830	SQUARE NYLON BRUSH	BROSSE CARREE EN NYLON	1	\$37.78
84	1209140840	PAN HD SCREW	VIS A TETE BOMBEE	2	\$1.61
85	1209140850	WASHER	RONDELLE	2	\$1.55
86	1209140860	PAN HD SCREW	VIS A TETE BOMBEE	2	\$1.61
87	1209140870	THREADED STUD	GOUJON FILETE	1	\$19.95
88	1209140880	WASHER	RONDELLE	1	\$1.67
89	1209140890	LEVER BAR	BARRE DU LEVIER	1	\$32.83

Pricing subject to change without prior notice. / Prix sujet à changement sans préavis.



Parts Pricing List / Liste de Prix des Pièces **KC-914H**

Diag.	Order # Com.	English Description	Description Française	Qty./Qté.	Price/Prix
90	1209140900	CAP SCREW	BOULON A TETE CYLINDRIQUE	1	\$2.24
91	1209140910	WASHER	RONDELLE	2	\$1.67
92	1209140920	SPRING PIN	GOUPILLE A RESSORT	2	\$1.90
93	1209140930	SPRING WASHER	RONDELLE A RESSORT	2	\$1.55
94	1209140940	CAP SCREW	BOULON A TETE CYLINDRIQUE	2	\$2.36
95	1209140950	SET SCREW	VIS SANS TETE	1	\$1.55
96	1209140960	DOWN HOLDER BRACKET	SUPPORT DE RETENU DU BAS	1	\$57.10
97	1209140970	DOWN SHAFT	TIGE DU BAS	1	\$57.33
98	1209140980	CHIP DEFLECTION PLATE	DEFLECTEUR DE COPEAUX	1	\$17.65
100	1209141000	PAN HD SCREW	VIS A TETE BOMBEE	2	\$1.61
101	1209141010	LOWER DRIVE WHEEL	ROUE D'ENTRAINEMENT DU BAS	1	\$251.85
102	1209141020	WHEEL TIRE	PROTECTEUR DE ROUE	2	\$34.33
103	1209141030	FLANGE	BRIDE	1	\$7.88
104	1209141040	HEX. BOLT	BOULON HEXAGONAL	1	\$1.90
105	KBB-914	BLADE	LAME	1	-
106	1209141060	HEX. BOLT (LARGE HEAD)	BOULON HEXAGONAL (TETE LARGE)	1	\$13.28
107	1209141070	BALL BEARING	ROULEMENT A BILLES	2	\$33.29
107-1	1209141071	UPPER WHEEL & BEARINGS ASS'Y	ROUE DU HAUT & ROULEMENTS ASS.	1	\$281.75
107-2	1209141072	UPPER WHEEL	ROUE DU HAUT	1	\$247.25
108	1209141080	UPPER WHEEL SHAFT	TIGE DE ROUE D'ENTRAINEMENT	1	\$61.81
109	1209141090	WORK LIGHT	LAMPE DE TRAVAIL	1	\$114.83
110	1209141100	LOCK KNOB	BOUTON DE VERROUILLAGE	2	\$4.20
111	1209141110	WASHER	RONDELLE	2	\$1.55
112	1209141120	HEX. NUT	ECROU HEXAGONAL	2	\$1.61
113	1209141130	WASHER	RONDELLE	2	\$1.67
122	1209141220	PAN HD SCREW	VIS A TETE BOMBEE	5	\$1.61
124	1209141240	WHEEL COVER	COUVERCLE DE LA ROUE	1	\$194.35
127	1209141270	C-CLAMP VISE	ETAU EN "C"	1	\$52.73
128	1209141280	BUSHING	BAGUE	2	\$2.59
129	1209141290	PIVOT PIN	GOUPILLE DE PIVOTEMENT	1	\$8.34
130	1209141300	LEAD SCREW	TIGE FILETEE	1	\$57.10
133	1209141330	VISE ROD	TIGE DE L'ETAU	1	\$19.49
134	1209141340	PIVOT PIN	GOUPILLE DE PIVOTEMENT	1	\$6.73
135	1209141350	JAW BRACKET	MACHOIRE DE L'ETAU	1	\$107.47
136	1209141360	BRACKET	SUPPORT TROUE	1	\$12.25
137	1209141370	CAP SCREW	BOULON A TETE CYLINDRIQUE	2	\$2.07
138	1209141380	ANGLE SCALE	ECHELLE DES ANGLES	1	\$7.88
139	1209141390	RIVET	RIVET	3	\$1.44
140	1209141400	HEX. BOLT	BOULON HEXAGONAL	1	\$2.13
142	1209141420	SPECIAL (THICK) WASHER	RONDELLE SPECIALE (EPAISSE)	1	\$4.54
143	1209141430	TABLE (SPECIAL ORDER)	TABLE (COMMANDE SPECIALE)	1	\$688.85
144	1209141440	ANGLE BRACKET (RIGHT)	SUPPORT EN ANGLE (DROITE)	1	\$13.63
145	1209141450	SPRING WASHER	RONDELLE A RESSORT	4	\$1.61
146	1209141460	HEX. BOLT	BOULON HEXAGONAL	4	\$1.73
147	1209141470	TABLE ROLLER	ROULEAU DE LA TABLE	1	\$45.60
148	1209141480	ANGLE BRACKET (LEFT)	SUPPORT EN ANGLE (GAUCHE)	1	\$13.63
149	1209141490	WASHER	RONDELLE	2	\$1.67

Pricing subject to change without prior notice. / Prix sujet à changement sans préavis.



Parts Pricing List / Liste de Prix des Pièces **KC-914H**

Diag.	Order # Com.	English Description	Description Française	Qty./Qté.	Price/Prix
150	1209141500	DRIVING LEVER BAR	BARRE DU LEVIER	1	\$89.30
151	1209141510	PLASTIC KNOB	BOUTON EN PLASTIQUE	1	\$10.06
152	1209141520	WASHER	RONDELLE	2	\$1.67
153	1209141530	NYLON HEX. NUT	ECROU HEXAGONAL AVEC NYLON	1	\$1.78
154	1209141540	ELECTRICAL CONTROL BOX	BOITE DE CONTROLE ELECTRIQUE	1	\$212.75
155	1209141550	ELECTRICAL PLATE	PLAQUE ELECTRIQUE	1	\$40.08
157	1209141570	PUSH SWITCH	INTERRUPTEUR A BOUTON	1	\$102.06
158	1209141580	HYDRAULIC SYSTEM CONTROL	CONTROLE DU SYSTEME HYDR.	1	\$57.33
159	1209141590	FEED RATE CONTROL	CONTROLE VITESSE D'ALIMENTATION	1	\$45.71
160	1209141600	PAN HD SCREW	VIS A TETE BOMBEE	4	\$1.55
161	1209141610	PAN HD SCREW	VIS A TETE BOMBEE	4	\$1.67
162	1209141620	CHIP TRAY	PLATEAU DE RECUPERATION	1	\$270.25
163	1209141630	CAP SCREW	BOULON A TETE CYLINDRIQUE	2	\$2.01
164	1209141640	SPRING WASHER	RONDELLE A RESSORT	2	\$1.55
165	1209141650	HEX. BOLT	BOULON HEXAGONAL	1	\$2.70
166	1209141660	WASHER	RONDELLE	2	\$1.67
167	1209141670	NYLON HEX. NUT	ECROU HEXAGONAL AVEC NYLON	1	\$2.01
168	1209141680	INDICATOR GLASS	VITRE DE VISIONNEMENT	1	\$12.48
169	1209141690	BRACKET	SUPPORT	1	\$52.50
170	1209141700	LOCK KNOB	BOUTON DE VERROUILLAGE	1	\$11.44
172	1209141720	PAN HD SCREW	VIS A TETE BOMBEE	4	\$1.61
173	1209141730	CABINET SIDE PANEL	PANNEAU DE COTE	1	\$171.35
175	1209141750	SPRING PIN	GOUPILLE A RESSORT	2	\$2.36
176	1209141760	WASHER	RONDELLE	8	\$1.67
178	1209141780	SET SCREW	VIS SANS TETE	4	\$2.24
179	1209141790	NYLON HEX. NUT	ECROU HEXAGONAL AVEC NYLON	1	\$1.78
180	1209141800	WASHER	RONDELLE	2	\$1.67
181	1209141810	HEX. BOLT	BOULON HEXAGONAL	4	\$2.70
182	1209141820	HEX. NUT	ECROU HEXAGONAL	4	\$1.67
183	1209141830	WASHER	RONDELLE	1	\$1.67
184	1209141840	NYLON HEX. NUT	ECROU HEXAGONAL AVEC NYLON	1	\$2.13
185	1209141850	WEIGHT BALANCE LEVER	LEVIER DU CONTRE-POID	1	\$109.08
186	1209141860	CAP SCREW	BOULON A TETE CYLINDRIQUE	1	\$2.07
187	1209141870	THREADED ADAPTER	ADAPTATEUR FILETE	1	\$21.10
188	1209141880	CAP SCREW	BOULON A TETE CYLINDRIQUE	1	\$1.90
189	1209141890	THREADED ADAPTER	ADAPTATEUR FILETE	1	\$19.15
190	1209141900	LOCK KNOB	BOUTON DE VERROUILLAGE	1	\$11.44
191	1209141910	COUNTERWEIGHT	CONTREPOIDS	1	\$142.31
192	1209141920	CABINET STAND (SPECIAL ORDER)	CABINET SUPPORT (COMM. SPEC.)	1	\$1,144.25
193	1209141930	STRAIN RELIEF	ATTACHE FIL	4	\$2.93
194	1209141940	COUPLER	RACCORDEMENT	4	\$17.19
194-1	1209141941	PROTECTING HOSE	BOYAU DE PROTECTION	3	\$11.44
195	1209141950	ELECTRICAL WIRE BOX	BOITE POUR FILS ELECTRIQUES	1	\$263.35
196	1209141960	LIGHT POWER CORD	CORDON D'ALIMENTATION/LUMIERE	1	\$17.19
196-1	1209141961	MAIN POWER CORD	CORDON D'ALIMENTATION	1	\$27.54
197	1209141970	LEFT SUPPORT PLATE	PLAQUE DE SUPPORT (GAUCHE)	1	\$148.06
199	1209141990	PAN HD SCREW	VIS A TETE BOMBEE	4	\$1.61

Pricing subject to change without prior notice. / Prix sujet à changement sans préavis.



Parts Pricing List / Liste de Prix des Pièces **KC-914H**

Diag.	Order # Com.	English Description	Description Française	Qty./Qté.	Price/Prix
200	1209142000	COMP. HYDRAULIC CYLINDER ASS.	CYLINDRE HYDRAULIQUE COMP. ASS.	1	\$626.75
201	1209142010	HEX. NUT	ECROU HEXAGONAL	1	\$1.61
202	1209142020	CYLINDER LOWER SUPPORT	SUPPORT DU CYLINDRE (BAS)	1	\$50.43
203	1209142030	HEX. BOLT	BOULON HEXAGONAL	1	\$2.59
204	1209142040	FLOOR MOUNT BRACKET	SUPPORT DE FIXATION	4	\$50.31
205	1209142050	CAP SCREW	BOULON A TETE CYLINDRIQUE	8	\$2.01
206	1209142060	SET SCREW	VIS SANS TETE	4	\$1.67
207	1209142070	SAFETY RESET	RELAIS DE SECURITE	1	\$19.49
208	1209142080	TAPER PIN	GOUPILLE CONIQUE	1	\$7.99
213	1209142130	HEX. NUT	ECROU HEXAGONAL	4	\$1.61
214	1209142140	WASHER	RONDELLE	2	\$1.67
215	1209142150	WASHER	RONDELLE	2	\$1.67
216	1209142160	WASHER	RONDELLE	1	\$1.67
217	1209142170	WASHER	RONDELLE	1	\$1.67
218	1209142180	WASHER	RONDELLE	1	\$1.67
219	1209142190	WASHER	RONDELLE	4	\$1.55
221	1209142210	WASHER	RONDELLE	2	\$1.55
222	1209142220	SWITCH CORD	CORDON DE L'INTERRUPTEUR	1	\$27.31
223	1209142230	MOTOR CORD	CORDON DU MOTEUR	1	\$14.78
225	1209142250	WASHER	RONDELLE	2	\$1.67
226	1209142260	STARTING CAPACITOR	CONDENSATEUR DE DEMARRAGE	1	\$45.94
252	1209142520	GEAR BOX HOUSING (SPEC. ORD.)	BOITIER D'ENGRENAGE (COMM. SPEC.)	1	\$262.20
252-1	1209142521	COMP. GEAR BOX ASS'Y (SPEC. ORD.)	BOITIER D'ENGRENAGE ASSEMBLEE	1	\$638.25
254	1209142540	BALL BEARING	ROULEMENT A BILLES	2	\$22.94
255	1209142550	OIL SEAL	JOINT D'ETANCHEITE POUR L'HUILE	1	\$11.10
256	1209142560	O-RING	JOINT TORIQUE	2	\$8.45
257	1209142570	GEAR BOX COVER	COUVERCLE DU BOITIER	1	\$34.33
258	1209142580	SPRING WASHER	RONDELLE A RESSORT	4	\$1.50
259	1209142590	CAP SCREW	BOULON A TETE CYLINDRIQUE	4	\$1.78
260	1209142600	OIL LEVEL GAUGE	JAUGE DU NIVEAU D'HUILE	1	\$10.06
261	1209142610	OIL STOPPER	BOUCHON POUR L'HUILE	1	\$3.74
262	1209142620	WORM SHAFT	TIGE AVEC ENGRENAGE SANS FIN	1	\$194.35
263	1209142630	O-RING	JOINT TORIQUE	1	\$11.33
264	1209142640	O-RING	JOINT TORIQUE	1	\$8.91
265	1209142650	END SEAL COVER	COUVERCLE DU BOUT	1	\$34.33
266	1209142660	SPRING WASHER	RONDELLE A RESSORT	4	\$1.50
267	1209142670	CAP SCREW	BOULON A TETE CYLINDRIQUE	4	\$1.78
268	1209142680	VENTILATION BOLT	BOULON DE VENTILATION	1	\$9.14
269	1209142690	BALL BEARING	ROULEMENT A BILLES	1	\$33.29
270	1209142700	HELICAL GEAR	ENGRENAGE HELICOIDALE	1	\$270.25
271	1209142710	KEY	CLE DE RETENUE	1	\$3.28
272	1209142720	BUSHING	BAGUE	1	\$7.30
273	1209142730	RETAINING RING/SHAFT	ANNEAU DE RETENU/TIGE	1	\$2.82
274	1209142740	BALL BEARING	ROULEMENT A BILLES	1	\$29.84
275	1209142750	OIL SEAL	JOINT D'ETANCHEITE	1	\$15.70
276	1209142760	MAIN OIL SEAL COVER	COUV. PRINCIPALE POUR L'HUILE	1	\$34.33
277	1209142770	KEY	CLE DE RETENUE	1	\$3.28

Pricing subject to change without prior notice. / Prix sujet à changement sans préavis.



® Parts Pricing List / Liste de Prix des Pièces **KC-914H**

Diag.	Order # Com.	English Description	Description Française	Qty./Qté.	Price/Prix
278	1209142780	CAP SCREW	BOULON A TETE CYLINDRIQUE	3	\$1.90
279	1209142790	CAP SCREW	BOULON A TETE CYLINDRIQUE	3	\$1.78
280	1209142800	MAIN SHAFT COVER	COUVERCLE PRINCIPALE DE LA TIGE	1	\$85.04
281	1209142810	SHAFT	TIGE	1	\$98.50
282	1209142820	SET SCREW	VIS SANS TETE	3	\$2.59
283	1209142830	SPRING WASHER	RONDELLE A RESSORT	2	\$1.55
284	1209142840	HEX. NUT	ECROU HEXAGONAL	3	\$1.67
285	1209142850	WALKING WHEEL COVER (RIGHT)	PROTECTEUR ROUE D'AVANCEMENT	1	\$66.53
286	1209142860	WALKING WHEEL COV. (FRONT LEFT)	PROTECTEUR ROUE D'AVANCEMENT	1	\$62.96
287	1209142870	WALKING WHEEL COVER (BACK LEFT)	PROTECTEUR ROUE D'AVANCEMENT	1	\$62.96
288	1209142880	MOTOR PULLEY COVER	PROTECTEUR DE POULIE	1	\$132.08
289	1209142890	WHEEL COVER	PROTECTEUR DE LA ROUE	1	\$160.94
290	1209142900	FLANGE HD SCREW	VIS A TETE BRIDEE	11	\$1.67
291	1209142910	HEX. BOLT	BOULON HEXAGONAL	1	\$2.59
292	1209142920	HEX. NUT	ECROU HEXAGONAL	1	\$1.61
293	1209142930	COUNTERSUNK SCREW	VIS A TETE FRAISEE	6	\$1.55
294	1209142940	NYLON TABLE INSERT (RIGHT)	INSERTION DE TABLE EN NYLON (DR.)	1	\$25.24
295	1209142950	NYLON TABLE INSERT (LEFT)	INSERTION DE TABLE EN NYLON (GAU.)	1	\$25.24
296	1209142960	GIB (FOR SCALE)	GLISSIERE (POUR ECHELLE)	1	\$34.44
	120914MBIL	BILINGUAL MANUAL KC-914H	MANUEL BILINGUE KC-914H	1	\$15.00

Pricing subject to change without prior notice. / Prix sujet à changement sans préavis.

Free Manuals Download Website

<http://myh66.com>

<http://usermanuals.us>

<http://www.somanuals.com>

<http://www.4manuals.cc>

<http://www.manual-lib.com>

<http://www.404manual.com>

<http://www.luxmanual.com>

<http://aubethermostatmanual.com>

Golf course search by state

<http://golfingnear.com>

Email search by domain

<http://emailbydomain.com>

Auto manuals search

<http://auto.somanuals.com>

TV manuals search

<http://tv.somanuals.com>