



# Service Manual / Manuel de Service

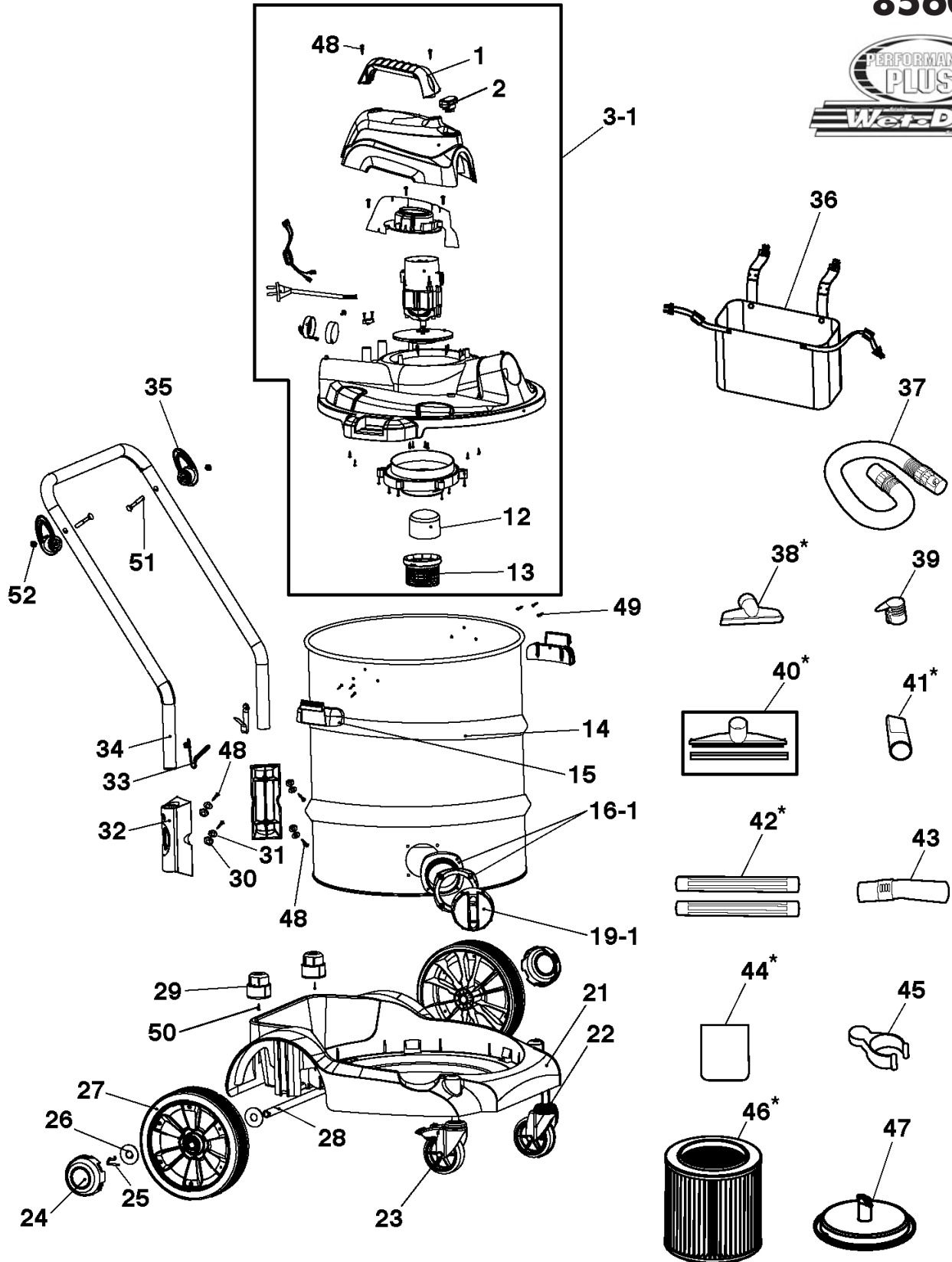
## 16 Gallon Wet-Dry Vacuum

### Aspirateur de Matériaux Secs-Humides 16 Gallons



Revised/Revisé 08/2008

# 8560LST





## Parts Pricing List / Liste de Prix des Pièces

# 8560LST

Diag.	Order # Com.	English Description	Description Française	Qty./Qté.	Price/Prix
1	5885600010	HANDLE	POIGNEE	1	\$9.14
2	5885600020	SWITCH	INTERRUPTEUR	1	\$17.19
3-1	5885600031	MOTOR ASSEMBLY	MOTEUR ASSEMBLE	1	\$109.19
12	5885600120	FLOAT CUP	GODET FLOTTANT	1	\$5.69
13	5885600130	FILTERING CAGE	CAGE FILTRANTE	1	\$6.84
14	5885600140	TANK	RESERVOIR	1	\$103.44
15	5885600150	LATCH	LOQUET	2	\$7.99
16-1	5885600161	DRAINAGE OUTLET ASS'Y	SORTIE DU DRAIN ASSEMBLE	1	\$5.69
19-1	5885600191	COMPLETE DRAINAGE CAP	BOUCHON DE DRAIN COMPLET	1	\$6.84
21	5885600210	BASE	BASE	1	\$34.44
22	5885600220	CASTER	ROULETTE	1	\$14.89
23	5885600230	CASTER WITH LOCK	ROULETTE A VERROUILLAGE	1	\$17.19
24	5885600240	WHEEL HUB	COUVRE MOYEU	2	\$4.54
25	5885600250	LOCKING PIN	GOUPILLE DE VERROUILLAGE	2	\$2.59
26	5885600260	WASHER	RONDELLE	4	\$1.67
27	5885600270	LARGE WHEEL	GRANDE ROUE	2	\$22.94
28	5885600280	AXLE	ESSIEU	1	\$13.74
29	5885600290	ACCESSORY STORAGE POST	POTEAU D'ENTREPOSAGE DES ACC.	2	\$4.54
30	5885600300	NYLON WASHER	RONDELLE EN NYLON	4	\$1.78
31	5885600310	WASHER	RONDELLE	4	\$1.55
32	5885600320	HANDLE HOLDER	SUPPORT DE POIGNEE	2	\$5.69
33	5885600330	SPRING PINCHLOCK	VERROU RESSORT A Pincer	2	\$3.39
34	5885600340	CARRYING HANDLE	POIGNEE DE TRANSPORT	1	\$28.69
35	5885600350	CORD WRAP POST	TIGE D'ENROULEMENT DU CORDON	2	\$5.69
36	5885600360	BAG FOR ACCESSORIES	SAC POUR ACCESSOIRES	1	\$11.44
37	5885600370	8' X 2-1/2" FLEX HOSE	BOYAU FLEXIBLE DE 8' X 2-1/2"	1	\$28.69
38	KVAC-1104	GULPER TOOL	EMBOUT GOBEUR	1	-
39	5885600390	NOISE DIFFUSER	DIFFUSEUR DE BRUIT	1	\$4.54
40	KVAC-1108	WIDE NOZZLE W/BRUSH/SQUEEGEE	EMBOUT LARGE A/BROSSE ET BALAI	1	-
41	KVAC-1106	CREVICE TOOL	EMBOUT A BEC	1	-
42	KVAC-1115	2 PC PLASTIC EXTENSION TUBE	TUBE D'EXTENSION EN PLAS. 2 MCX	1	-
43	5885600430	AIR CONTROL HANDLE	POIGNEE DE CONTROLE/DEBIT D'AIR	1	\$6.84
44	KVAC-1040	FOAM SLEEVE	MANCHON EN MOUSSE	1	-
45	5885600450	EXTENSION TUBE HOLDER	SUPPORT DU TUBE D'EXTENSION	1	\$3.39
46	KVAC-1075	CARTRIDGE FILTER	FILTRE-CARTOUCHE	1	-
47	5885600470	FILTER RETAINER	SUPPORT DU FILTRE	1	\$4.54
48	5885600480	SELF-TAPPING SCREW	VIS AUTOTARAUDEUSE	4	\$2.70
49	5885600490	SELF-TAPPING SCREW	VIS AUTOTARAUDEUSE	6	\$2.70
50	5885600500	SELF-TAPPING SCREW	VIS AUTOTARAUDEUSE	4	\$2.70
51	5885600510	CARRIAGE BOLT	BOULON A CARROSSERIE	2	\$2.82
52	5885600520	HEX. NUT	ECROU HEXAGONAL	2	\$2.24
	588560MBIL	BILINGUAL MANUAL 8560LST	MANUEL BILINGUE 8560LST	1	\$15.00

Pricing subject to change without prior notice. / Prix sujet à changement sans préavis.

## Free Manuals Download Website

<http://myh66.com>

<http://usermanuals.us>

<http://www.somanuals.com>

<http://www.4manuals.cc>

<http://www.manual-lib.com>

<http://www.404manual.com>

<http://www.luxmanual.com>

<http://aubethermostatmanual.com>

Golf course search by state

<http://golfingnear.com>

Email search by domain

<http://emailbydomain.com>

Auto manuals search

<http://auto.somanuals.com>

TV manuals search

<http://tv.somanuals.com>