

# PARTS LIST

for

# **KitchenAid®**

## **FOOD PROCESSOR**

### **12 CUP – WIDE MOUTH/METALLIC**

**MODELS:**

**KFPM770NK0 – Brushed Nickel**

**4KFPM770NK0 – Brushed Nickel**

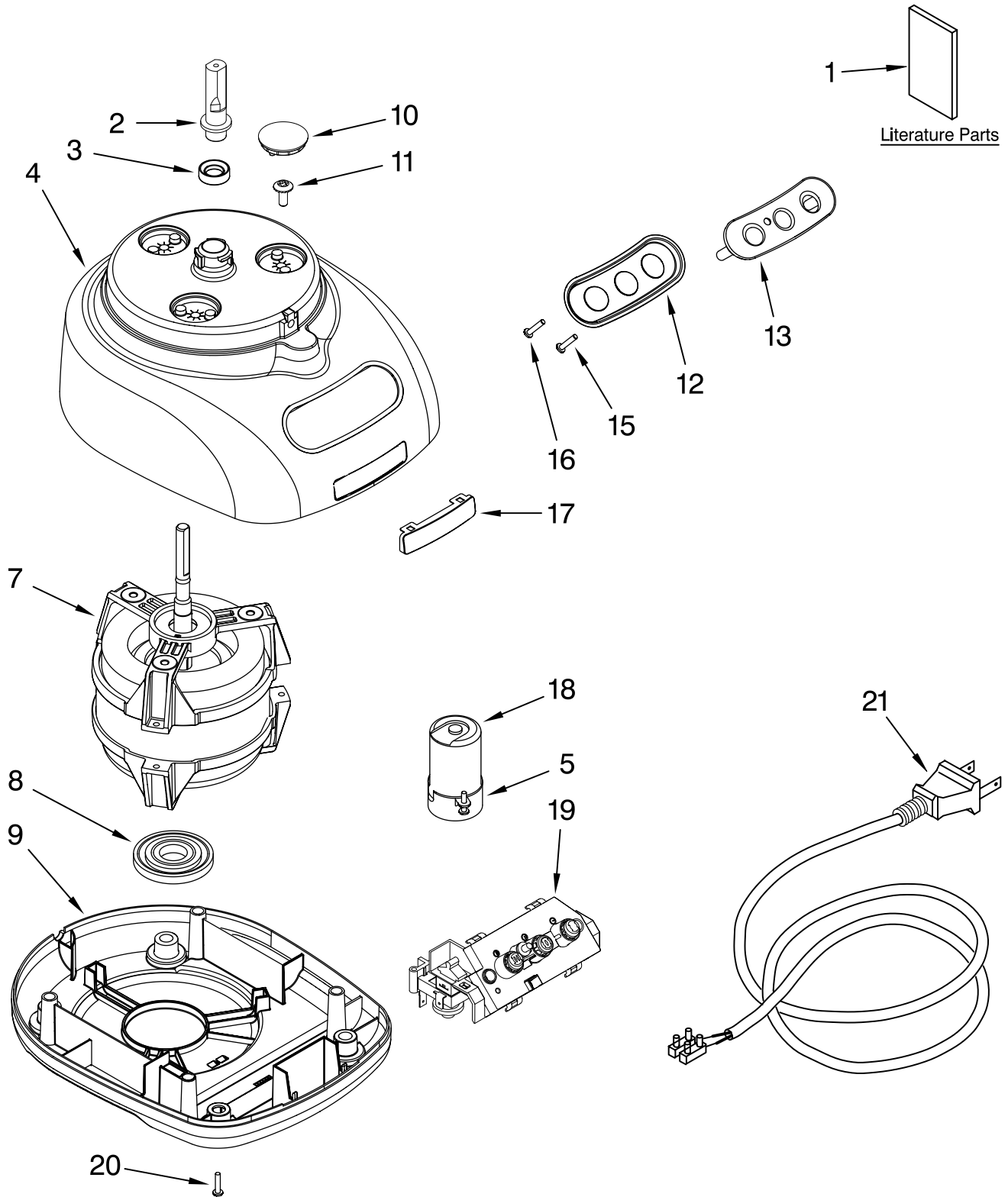


FOR CUSTOMER SATISFACTION ALWAYS USE  
FACTORY SPECIFICATION PARTS



# MOTOR AND HOUSING PARTS

For Models: KFPM770\_\_0, 4KFPM770\_\_0



FOR ORDERING INFORMATION REFER TO PARTS PRICE LIST

# MOTOR AND HOUSING PARTS

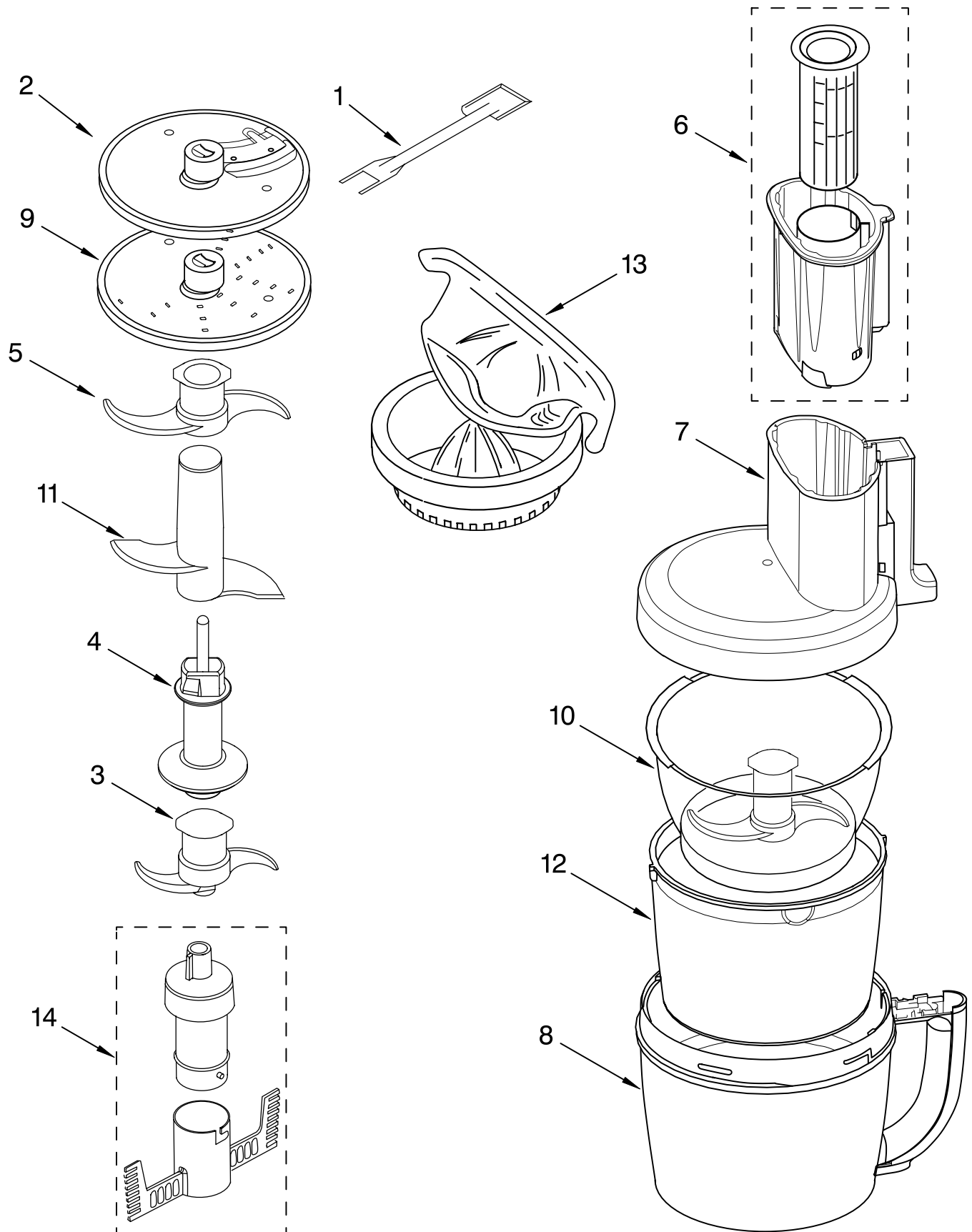
For Models: KFPM770\_\_0, 4KFPM770\_\_0

<b>Illus. No.</b>	<b>Part No.</b>	<b>DESCRIPTION</b>
1		Literature Parts
	8211864	Use & Care Guide
	8212060	Repair Parts List
2	8211849	Sleeve, Motor Shaft
3	8211828	Seal, Oil
4	8211823	Housing, Motor
5	8211607	Clip, Capacitor
7	8211837	Motor
8	8211843	Grommet, Motor
9	8212190	Base, Housing
10	8211827	Cover, Screw
11	8211586	Screw, Motor Locking
12	8211848	Bezel, Switch Panel
13	8211846	Overlay & Cover
15	8211870	Screw, Torx
16	8211812	Screw, Switch Panel
17	8211842	Nameplate
18	8211608	Capacitor
19	8212011	Relay & Switch Assembly
20	8211845	Foot
21	8211857	Cord, Power

FOR ORDERING INFORMATION REFER TO PARTS PRICE LIST

# ATTACHMENT PARTS

For Models: KFPM770\_\_0, 4KFPM770\_\_0



FOR ORDERING INFORMATION REFER TO PARTS PRICE LIST

# ATTACHMENT PARTS

For Models: KFPM770\_\_0, 4KFPM770\_\_0

<b>Illus. No.</b>	<b>Part No.</b>	<b>DESCRIPTION</b>
1	8211760	Spatula
2		Disc, Slicing
	8211929	2 mm
	8211930	4 mm
3	8212012	Mini Blade
4	8211858	Adapter, Shaft & Disc
5	8212014	Blade, Multipurpose
6	8212020	Pusher, Food
7	8212024	Cover, Work Bowl
8	8212019	Bowl, Work
9		Disc, Shredding
	8211933	4 mm
10	8211926	Bowl, Mini
11	8212016	Blade, Dough
12	8211928	Bowl, Chef's
13	8212025	Extractor, Citrus
14	8212033	Whip, Egg

---

## OPTIONAL PARTS NOT ILLUSTRATED

---

8212034 Accessory Box  
8211927 Lid, Mini Bowl  
Disc, Slicing  
8211931 6 mm  
Disc, Shredding  
8211932 2 mm  
8211934 6 mm  
8211935 Disc, Julienne  
8211936 Disc, Grating  
Parmesan/Ice  
8211937 Disc, Cutting  
French Fry  
8211938 Rack, Disc

FOR ORDERING INFORMATION REFER TO PARTS PRICE LIST

## Free Manuals Download Website

<http://myh66.com>

<http://usermanuals.us>

<http://www.somanuals.com>

<http://www.4manuals.cc>

<http://www.manual-lib.com>

<http://www.404manual.com>

<http://www.luxmanual.com>

<http://aubethermostatmanual.com>

Golf course search by state

<http://golfingnear.com>

Email search by domain

<http://emailbydomain.com>

Auto manuals search

<http://auto.somanuals.com>

TV manuals search

<http://tv.somanuals.com>