

KitchenAid® Service Manual



MODELS
Australian Series
5KSB55AAC (Almond Creme)
5KSB55AER (Empire Red)
5KSB55AGR (Imperial Grey)
5KSB55AOB (Onyx Black)
5KSB55AWH (White)
Britain Series
5KSB55BAC (Almond Creme)
5KSB55BER (Empire Red)
5KSB55BMY (Majestic Yellow)
5KSB55BOB (Onyx Black)
5KSB55BWH (White)
5KSB55BBU (Cobalt Blue)
5KSB55BPK (Pink)
5KSB55BNK (Brushed Nickel)
5KSB55BPM (Pearl Metallic)
European Series
5KSB55EAC (Almond Creme)
5KSB55EER (Empire Red)
5KSB55EGR (Imperial Grey)
5KSB55EOB (Onyx Black)
5KSB55EWH (White)
5KSB55EBU (Cobalt Blue)
5KSB55ECR (Chrome)
5KSB55EMY (Majestic Yellow)
5KSB55ENK (Brushed Nickel)
5KSB55EPM (Pearl Metallic)
5KSB55ETG (Tangerine)
5KSB55EPK (Pink)
Swiss Series
5KSB55SWH (White)
5KSB55SER (Empire Red)
5KSB55SGR (Imperial Grey)
5KSB55SOB (Onyx Black)

SAFETY GUIDELINES

Your safety and the safety of others are very important.

We have provided many important safety messages in this manual and on your appliance. Always read and obey all safety messages.



This is the safety alert symbol.

This symbol alerts you to potential hazards that can kill or hurt you and others.

All safety messages will follow the safety alert symbol and either the word "DANGER" or "WARNING." These words mean:

⚠ DANGER

You can be killed or seriously injured if you don't immediately follow instructions.

⚠ WARNING

You can be killed or seriously injured if you don't follow instructions.

All safety messages will tell you what the potential hazard is, tell you how to reduce the chance of injury, and tell you what can happen if the instructions are not followed.

⚠ WARNING

Electrical Shock Hazard

Disconnect power before servicing.

Replace all parts and panels before operating.

Failure to do so can result in death or electrical shock.

This service manual is written for the professional service technician who is familiar with the KitchenAid blender. The following guidelines should be adhered to when servicing this product.

Service Environment

- The workplace will be dry and sanitary at all times and all units should be inspected for cleanliness before any work is started.
- Visually inspect the unit requiring service in a well-illuminated area.
- A mild, non-abrasive dishwashing soap solution and clean towel can be used to wash any unit requiring attention.
- The hands of the Service Technician should be clean at all times during the service procedure.

Electrical Considerations

- The work place for the blender must have properly grounded AC outlets that adhere to all local electrical codes that are applicable at the time of the repair.
- The blender power cord should always be inspected first before testing the blender operation. Do not run the blender if the power cord is damaged. Replace a damaged power cord.
- All disassembly and assembly procedures discussed in this manual should be conducted with the unit disconnected from power.
- Do not leave the blender unattended while running for extended periods. Always unplug the blender immediately after conducting your tests.

Technician

- The service technician should wear protective eyewear at all times when conducting a repair on the KitchenAid blender.
- Loose fitting sweaters, shirt sleeves or bracelets should not be worn while servicing the KitchenAid blender.

BLENDER REPAIR MANUAL

SUBJECT	PAGE
SAFETY GUIDELINES.....	2
PRODUCT FEATURES.....	4
PREPARING THE BLENDER FOR USE	4
PRELIMINARY INSPECTION OF BLENDER	6
OPERATING THE KITCHENAID BLENDER.....	6
BLENDER SERVICE PROCEDURES	7
MODEL AND SERIAL NUMBERS.....	9
PARTS LIST	10

FOREWORD:

The KitchenAid blender is a high-quality appliance. All KitchenAid blenders are well designed and built. Normally they will give continual use year-after-year without service attention. Records have been maintained over a period of years to determine and correct, through improved design, any troubles that might possibly develop. An effort has been made in preparation of this manual to cover all service issues.

Product Features

The following are some of the KitchenAid Blender's unique product features (Fig. 1):



Figure 1

1. **Stay-Put Lid with Clear, 60 ml Ingredient Cup:** Provides a strong seal. The flexible lid will maintain its tight seal throughout the life of the blender. The lid incorporates a removable 60 ml cup for convenience in measuring and adding ingredients.
2. **Easy Pour 1.5 L Glass Pitcher:** Glass pitcher resists scratches, stains, and odors. Pitcher is removable from locking collar for easy cleaning, and withstands a range of extreme temperatures. Easy pour spout provides smooth, drip-free pouring.
3. **Locking Collar and Blade Assembly:** Durable, one-piece blade design is built into the locking collar for easy handling and cleaning. Dishwasher-safe assembly keeps the blades from rotating until the pitcher is properly attached to the collar and put on the blender base.
4. **Patented Stainless Steel Blade:** Sharp oversized blade tines are positioned on four different planes for fast, thorough, and consistent blending.
5. **Durable Steel-Reinforced Couplers:** Commercial-quality couplers with 12 interlocking teeth provide direct transfer of motor power to the blade. Pitcher coupler is coated for quiet operation.

6. **Die-Cast Metal Base:** Heavy, die-cast metal base ensures stable, quiet operation when blending a full pitcher of ingredients. Four rubber feet on wide, solid base provide a no-slip, non-marring grip. Smooth and rounded, the base is easy to clean and features cord storage underneath.
7. **Robust Motor:** Rugged 0.9-horsepower motor supplies the power for superb performance with all blending tasks – from pureeing sauces to making chunky salsas, or uniformly crushing a pitcher of ice or frozen fruit within seconds for silky smoothies.
8. **Intelli-Speed™ Motor Control:** Exclusive Intelli-Speed™ control automatically works to keep speed constant – even through density changes when ingredients are added. This advanced KitchenAid design maintains an optimal blending speed for each culinary task and control setting.
9. **Clean Touch Control Panel:** Wipes clean in an instant. Smooth control pad has no crevices or cracks to trap ingredients.
10. **Soft Start Blending Feature:** The blender starts at a slower speed to pull food into the blade then quickly increases to selected speed setting. This design feature reduces start-up kick and allows hands-free operation.
11. **Speed Selection Buttons:** Create frozen drinks and puree sauces or soups in seconds. Blend with confidence, control, and consistency at all speed settings: STIR (☺), CHOP (☹), MIX (☺), PUREE (☺), and LIQUEFY (☺). The PULSE (☺) mode works with all five speeds. The CRUSH ICE (☺) feature is designed specifically for crushing ice and will automatically pulse at staggered intervals for optimal results.

Preparing the Blender for Use

Before First Use

Before using your blender for the first time, wipe blender base with a warm sudsy cloth, then wipe clean with a damp cloth. Dry with a soft cloth. Wash pitcher, lid, locking collar and blade assembly, sealing ring and ingredient cup in warm, sudsy water. Rinse parts and wipe dry.

Blender Assembly

1. Put locking collar with blades pointing up on a sturdy surface (Fig. 2).



Figure 2

2. Put sealing ring (1), flat side down, around the blades and into the groove within the locking collar (2) (Fig. 3).

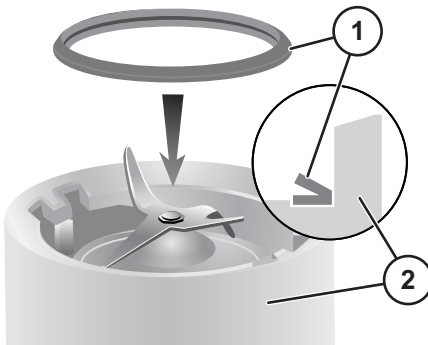


Figure 3

3. Align the pitcher tabs with the slots of the locking collar (Fig. 4).



Figure 4

4. Press down and rotate pitcher clockwise, approximately ¼ turn until two clicks are heard (Fig. 5).



Figure 5

5. Adjust the length of the blender power cord (Fig.6).



Figure 6

6. Put pitcher assembly onto the blender base (Fig. 7).



Figure 7

NOTE: When properly positioned, pitcher assembly will rest completely on blender base. If not, repeat steps 3 and 4.

7. Put lid on pitcher.

⚠ WARNING



Electrical Shock Hazard

Plug into grounded outlet.

Do not use an adapter.

Do not use an extension cord.

Failure to follow these instructions can result in death, fire or electrical shock.

8. Plug power cord into a grounded outlet. Blender is now ready for operation.
9. Before removing the pitcher assembly from the base, always press "O" and unplug the power cord.

Preliminary Inspection of Blender

Before servicing the blender, the following inspection should be performed. All service should be performed on a clean, dry surface with good illumination.

- **Lid and Ingredient Cap:** Place the lid on top of the jar and push securely on the jar with the ingredient cap in place.
- **Power Base:** Inspect the blender power base. Make sure the coupling at the end of the motor shaft moves freely. Make sure the four rubber feet are level. Make sure that all of the base assembly screws under the rubber feet are intact and secure.
- **Clean Touch Pad:** Make sure the blender’s clean touch pad is clean and not distorted.
- **Power Cord (Stored in Base) (Fig. 8):** Before any operation of the blender is performed, check the power cord for cuts or tears. If any damage to the power cord is found, replace the entire power cord before attempting operation.



Figure 8

⚠ WARNING
Electrical Shock Hazard
<p>Plug into grounded outlet.</p> <p>Do not use an adapter.</p> <p>Do not use an extension cord.</p> <p>Failure to follow these instructions can result in death, fire or electrical shock.</p>

You are now ready to check the operation of the blender. Plug the power cord into a grounded AC outlet.

Operating the KitchenAid Blender

The KitchenAid blender will operate in two different operating modes: Continuous mode and pulse mode.

Continuous Operation

Continuous operation of the blender is accomplished by pushing a “MODE” pad on the blender’s control panel.

Place one of your hands on top of the jar lid and press one of the speed pads with your other hand.

NOTE: A short delay reaching the selected speed is normal due to the soft start feature. The blender should run and an indicator light for the selected speed will come on.

You can check all the speeds by pressing either a higher or lower speed, without stopping the Motor.

To turn the blender off, press the “O” pad. The “O” pad will stop any speed and deactivate the blender at the same time.

Always deactivate the blender by pressing the “O” pad and unplugging the power cord before removing the blender jar.

Pulse Operation

Activate the “Pulse At Any Speed” feature by pressing the “PULSE” pad. You will hear a click, and the indicator light above the pad will blink, indicating that the blender is activated.


Place one of your hands on top of the jar lid and press one of the desired speed pads with your other hand for the desired pulse time.

NOTE: A short delay reaching the selected speed is normal due to the soft start feature.

To turn the pulse feature off, just press the “O” pad. The blender is now ready for continuous operation.

Blender Service Procedures

⚠ WARNING



Electrical Shock Hazard

Disconnect power before servicing.

Replace all parts and panels before operating.

Failure to do so can result in death or electrical shock.

Unplug blender or disconnect power before servicing.

Before starting any service procedure, review the "Safety Guidelines" in the front of this manual.

Perform any blender disassembly on a clean surface and provide a cushion for the power base to avoid scratching the surface of the product.

Power Base Access (Fig. 9)

To access the power base (1), remove four rubber feet (2) on the bottom of the power base (1). Remove four Phillips head screws (3) with a clean, medium-sized Phillips screwdriver.

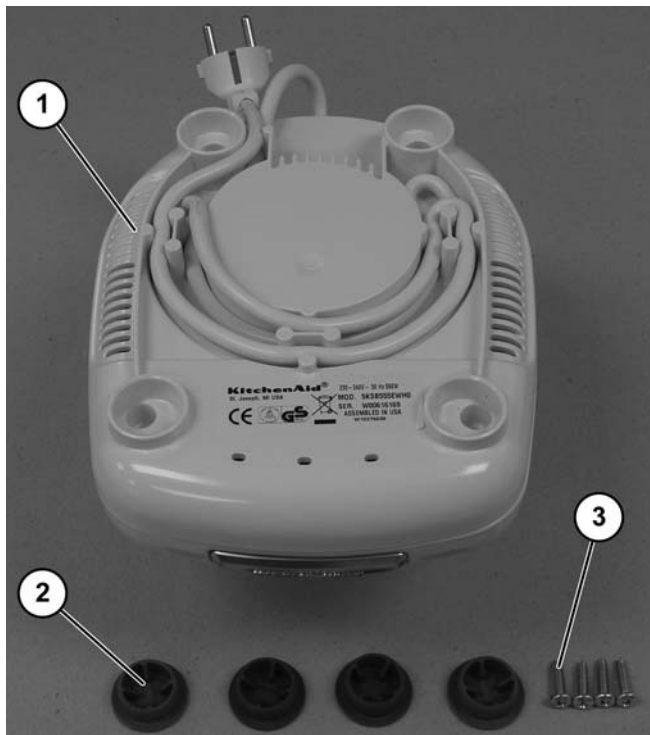


Figure 9

If any of the rubber feet (2) are heavily soiled or cracked, you should replace all four of them.

When replacing or installing the rubber feet (2), make sure that they are all inserted equally into the power base (1) so that the blender will sit level on the work surface.

Power Cord Replacement (Fig. 10)

Always be sure to inspect the condition of the blender's power cord (4) before running the unit.

Replace the power cord (4) when heavily soiled, cut, or damaged in any way.

Once the four screws (3) on the bottom of the power base (1) are removed, the upper housing (5) and base (6) can be easily separated for power cord (4) and component inspection.

Note the orientation of the power cord so that the proper orientation can be repeated when installing the new cord assembly.

To replace the power cord (4), disconnect filter connector (7) and remove ground screw (8) with a Phillips screwdriver.

Remove the original power cord (4) by sliding the power cord strain relief from the upper housing (5).

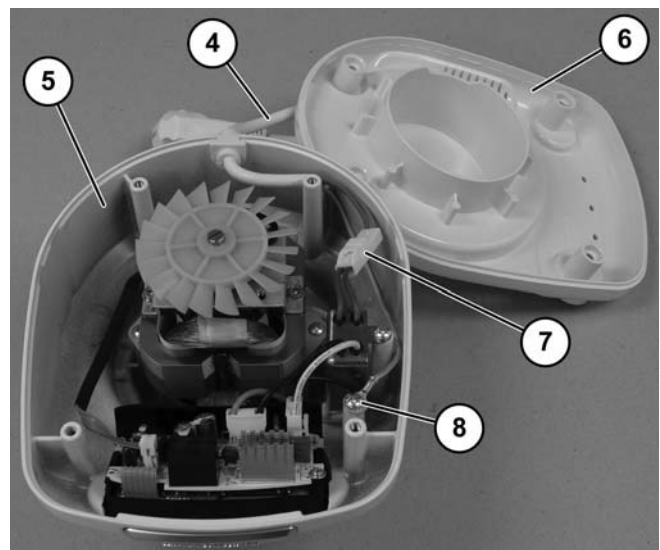


Figure 10

Before installing the new power cord (4), remove any soil from the base (6) using a mild dishwashing soap.

If the base (6) is contaminated or stained, replace the base (6).

Electronic Speed Control Board Replacement (Fig. 11)

To replace the electronic speed control board (9), disconnect filter connector (10), motor connector (11), and hall effect connector (12) from the electronic speed control board (9).

Using a flathead screwdriver, press tabs (13) on each side of control board (9) to remove from upper housing (5).

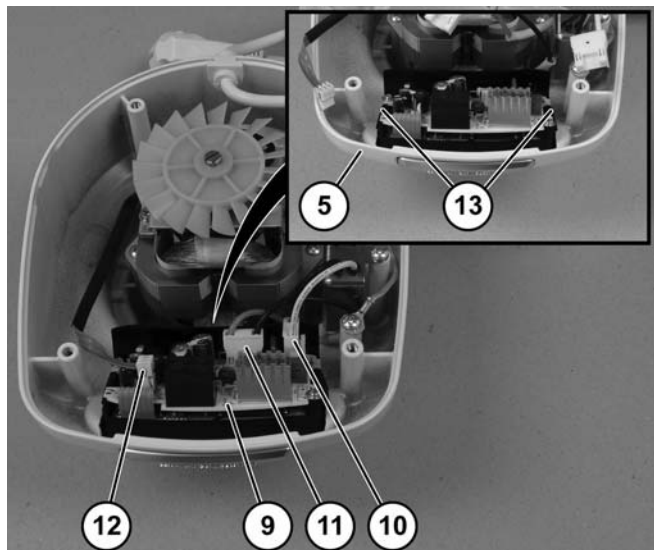


Figure 11

To install the control board (9), snap into upper housing (5) and connect all connectors.

Coupler Replacement (Fig. 12)

The coupler (14), in the upper housing (5), can be removed by using a flathead screwdriver and a large pair of pliers. Place the screwdriver in the slot of the motor shaft (15). Hold the coupler (14) with the pliers. Turn the shaft clockwise to remove the coupler.

The coupler (14) is threaded in a left-hand manner on the end of the motor shaft. To install a new coupler, you will use a counterclockwise rotation. Avoid damage to the new coupler when installing by placing tape over the jaws of the pliers.

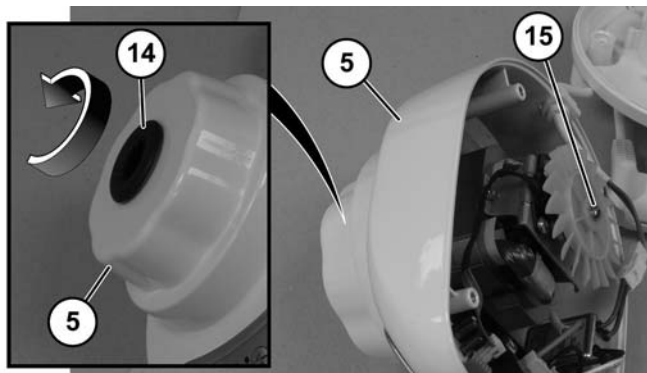


Figure 12

Motor Replacement (Fig. 13)

After the coupler (14) has been removed, disconnect the motor connector (11) and the hall effect connector (12) from the control board (9). Remove the two Phillips screws (16) and motor (17) from the upper housing (5).

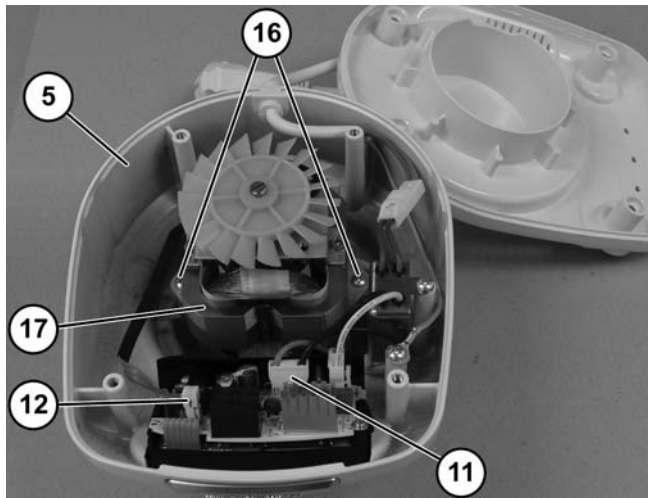


Figure 13

EMI Filter Replacement (Fig. 14)

To remove the EMI filter (18), disconnect connector (7) from the power cord (4) and disconnect connector (10) from the electronic speed control board (9). Remove a Phillips screw (19) and EMI filter (18) from the upper housing (5).

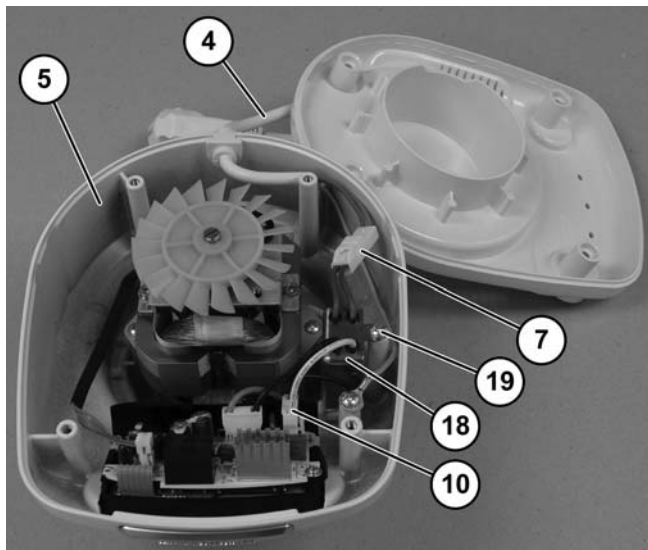


Figure 14

Hall Effect Sensor (Fig. 15)

The various speeds of the blender are maintained under varying load conditions with a hall effect sensor (20), located at the bottom of the motor (17).

To remove the hall effect sensor (20), use a flathead screwdriver to open two tabs (21) that hold the hall effect sensor (20) to the motor (17). Disconnect connector (12) from the control board (9).

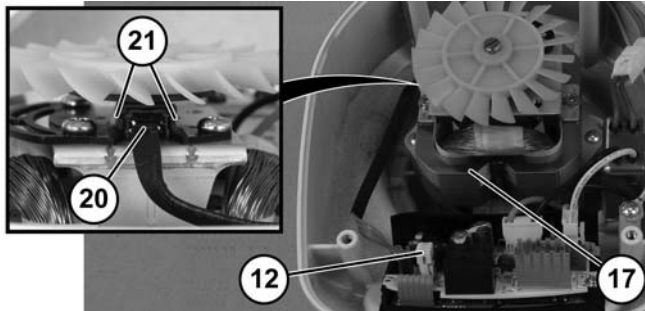


Figure 15

Final Inspection

Always test the unit for proper operation after you have completed a service procedure.

⚠ WARNING

Electrical Shock Hazard

Plug into grounded outlet.

Do not use an adapter.

Do not use an extension cord.

Failure to follow these instructions can result in death, fire or electrical shock.

Always check the blender for the presence of soil from earlier food preparation and clean it before repackaging. The blender power base and lid can be cleaned with a mild soap solution applied to a damp cloth and wiped dry with a soft towel. The blender jar can easily be cleaned by placing it in an automatic dishwasher.

You can also fill the jar half full of warm water and add a few drops of liquid dishwasher detergent. Cover the jar and blend the mixture in the "STIR" position for 10 - 20 seconds. Shut the blender off and unplug the unit from the AC outlet. Rinse the blender jar with clean water and dry with a clean towel.

Model and Serial Numbers

KITCHENAID MODEL NUMBER DESIGNATIONS

MODEL NUMBER	5	K	SB	555	A	ER	0
MANUFACTURER	K = KitchenAid						
PRODUCT GROUP	SB = Standard Blender						
MODEL SERIES							
ELECTRICAL CODE	A = Australian		E = European				
	B = Britain		S = Swiss				
COLOR CODE	AC = Almond Creme		BU = Cobalt Blue				
	ER = Empire Red		PK = Pink				
	GR = Imperial Grey		NK = Brushed Nickel				
	OB = Onyx Black		PM = Pearl Metallic				
	WH = White		CR = Chrome				
	MY = Majestic Yellow		TG = Tangerine				
ENGINEERING CHANGE (0, 1, 2, 3, ETC.)							

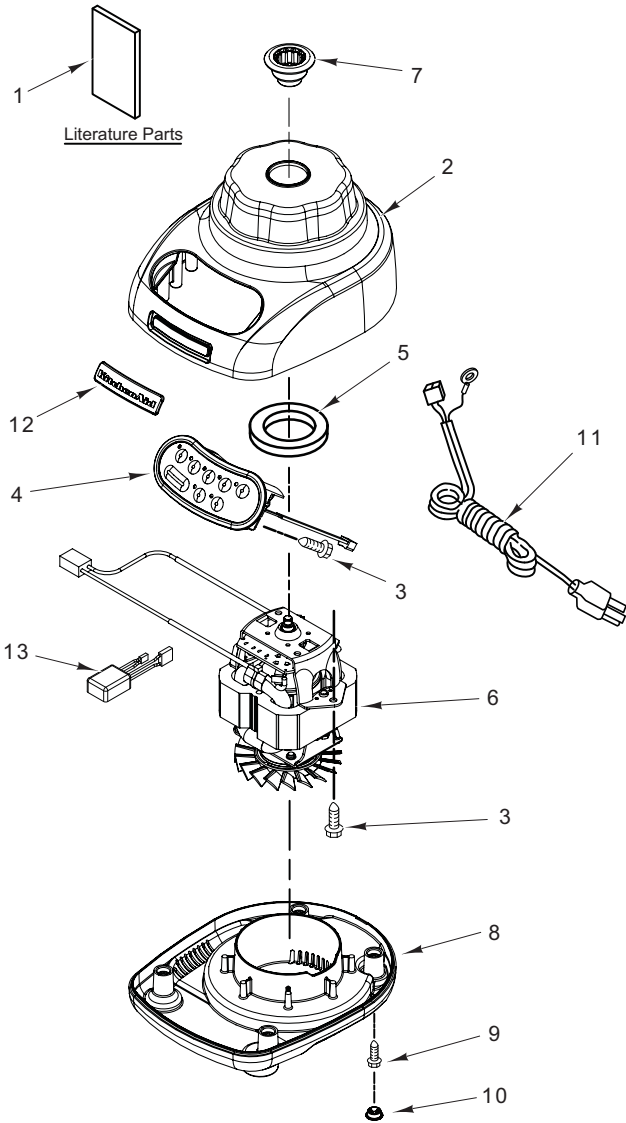
KITCHENAID SERIAL NUMBER DESIGNATIONS

SERIAL NUMBER	W	S	25	XXXXX
MANUFACTURING SITE	W = Greenville			
YEAR OF PRODUCTION	P = 2003 R = 2004 S = 2005			
WEEK OF PRODUCTION				
PRODUCT SEQUENCE NUMBER				

Parts List

Unit Parts

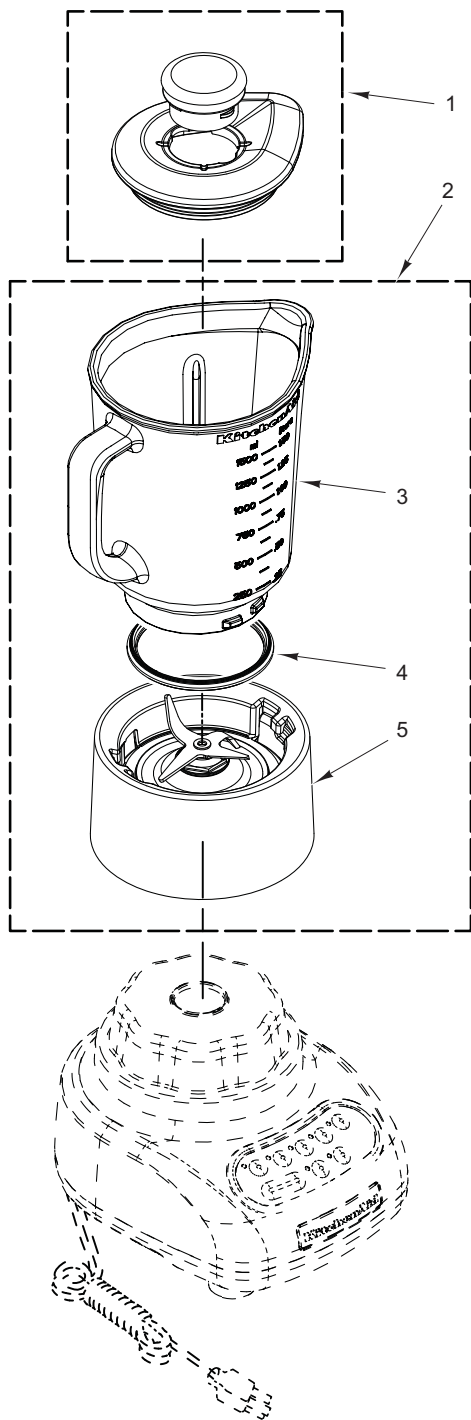
For Variations of Model 5KSB555A



Item No.	Part No.	Description
1	Literature Parts	
	W10236556	Use & Care Guide
	W10285042	Repair Parts List
2	Upper Housing	
	W10153370	Almond Creme
	9709259	Empire Red
	9709226	Onyx Black
	9709499	Imperial Grey
	9708896	White
3	W10068250	Screw
4	Control Assembly (Includes Overlay)	
	W10202144	Silver
5	9709366	Motor Seal
6	W10249833	Motor, 240V, 5sp
7	W10279256	Drive Coupling
8	Base	
	W10153630	Almond Creme
	9709917	Empire Red
	9708937	Onyx Black
	9708890	White
9	W10001200	Screw
10	Rubber Foot	
	9708927	Grey
11	Power Cord	
	9708920	White
	9708933	Black
12	W10283470	Nameplate
13	W10269237	EMI Filter

Attachment Parts

For Variations of Model 5KSB555A

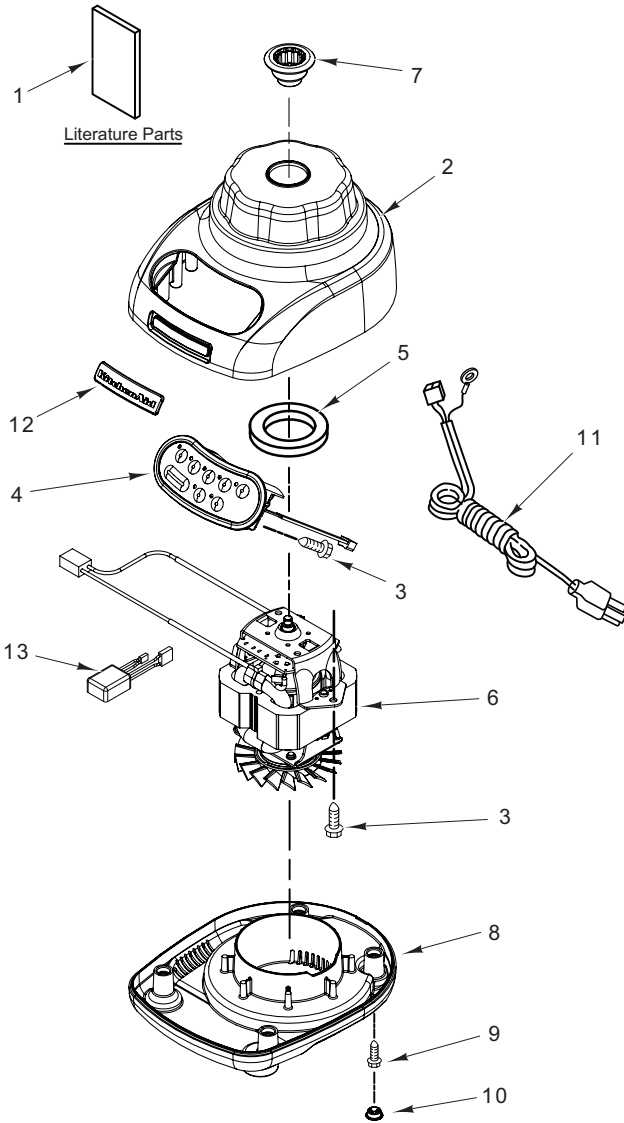


Item No.	Part No.	Description
1	Lid Assembly (Includes Cap)	
	W10236600	Almond Creme
	W10236597	Empire Red
	9709363	Onyx Black
	9709362	White
2	Jar Assembly	
	W10279537	Almond Creme
	W10279533	Empire Red
	W10279534	Onyx Black
	W10279528	White
3	W10221782	Jar, Glass
4	W10292571	Gasket, Jar
5	Collar, w/Blades	
	W10279521	Almond Creme
	W10279517	Empire Red
	W10279518	Onyx Black
	W10279516	White

Parts List

Unit Parts

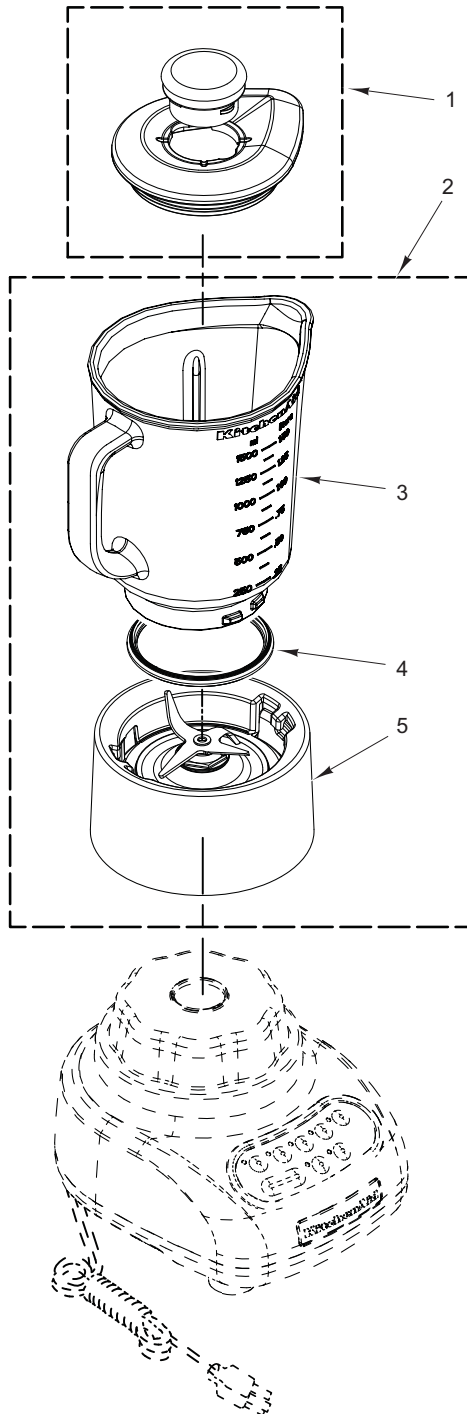
For Variations of Model 5KSB555B



Item No.	Part No.	Description
1	Literature Parts	
	W10236556	Use & Care Guide
	W10285046	Repair Parts List
2	Upper Housing	
	W10153370	Almond Creme
	9709259	Empire Red
	9709226	Onyx Black
	9708896	White
	W10153368	Cobalt Blue
	W10153367	Majestic Yellow
	9709257	Brushed Nickel
	W10153369	Pearl Metallic
9709497	Pink	
3	W10068250	Screw
4	Control Assembly (Includes Overlay)	
	W10291857	Silver
5	9709366	Motor Seal
6	W10249833	Motor, 240V, 5sp
7	W10279256	Drive Coupling
8	Base	
	W10153630	Almond Creme
	9709917	Empire Red
	9708937	Onyx Black
	9708890	White
	W10153582	Cobalt Blue
	W10153962	Majestic Yellow
9709504	Pink	
9	W10001200	Screw
10	Rubber Foot	
	9708927	Grey
11	Power Cord	
	9708918	White
	9708929	Black
12	W10283470	Nameplate
13	W10269237	EMI Filter

Attachment Parts

For Variations of Model 5KSB555B

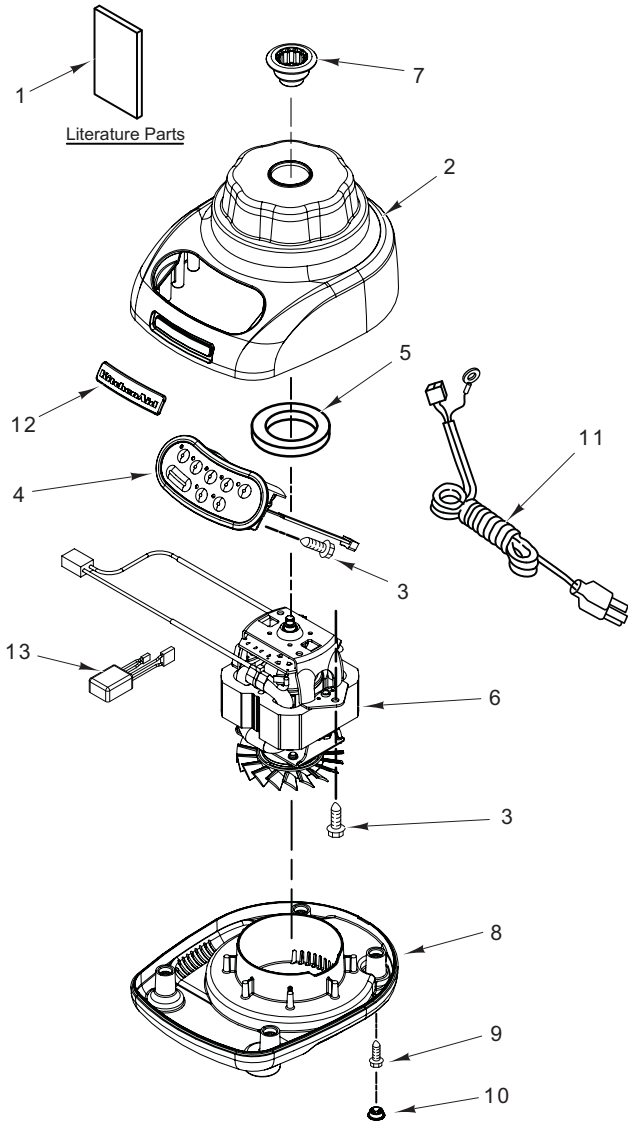


Item No.	Part No.	Description
1	Lid Assembly (Includes Cap)	
	W10236600	Almond Creme
	W10236597	Empire Red
	9709363	Onyx Black
	9709362	White
	W10236601	Cobalt Blue
	W10236599	Majestic Yellow
	W10236598	Pink
2	Jar Assembly	
	W10279537	Almond Creme
	W10279533	Empire Red
	W10279534	Onyx Black
	W10279528	White
	W10279538	Cobalt Blue
	W10279536	Majestic Yellow
	W10279535	Pink
3	W10221782	Jar, Glass
4	W10292571	Gasket, Jar
5	Collar, w/Blades	
	W10279521	Almond Creme
	W10279517	Empire Red
	W10279518	Onyx Black
	W10279516	White
	W10279522	Cobalt Blue
	W10279520	Majestic Yellow
	W10279519	Pink

Parts List

Unit Parts

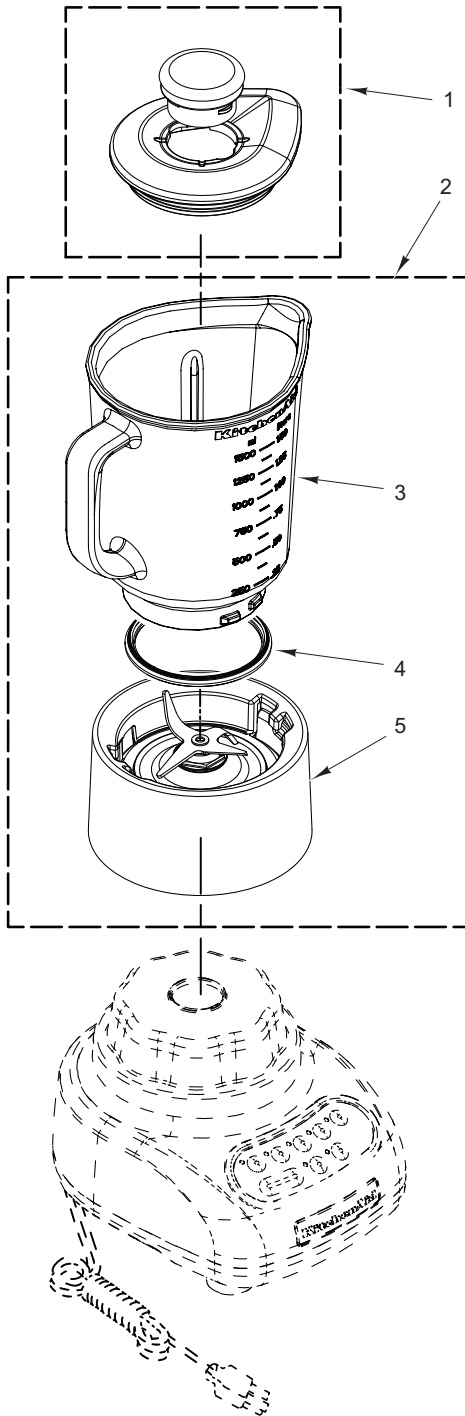
For Variations of Model 5KSB555E



Item No.	Part No.	Description
1	Literature Parts	
	W10236556	Use & Care Guide
	W10285048	Repair Parts List
2	Upper Housing	
	W10153370	Almond Creme
	9709259	Empire Red
	9709226	Onyx Black
	9709499	Imperial Grey
	9708896	White
	W10153368	Cobalt Blue
	9709500	Chrome
	W10153367	Majestic Yellow
	9709257	Brushed Nickel
	W10153369	Pearl Metallic
	9709496	Tangerine
	9709497	Pink
3	W10068250	Screw
4	Control Assembly (Includes Overlay)	
	W10291857	Silver
5	9709366	Motor Seal
6	W10249833	Motor, 240V, 5sp
7	W10279256	Drive Coupling
8	Base	
	W10153630	Almond Creme
	9709917	Empire Red
	9708937	Onyx Black
	9708890	White
	W10153582	Cobalt Blue
	W10153962	Majestic Yellow
	9709503	Tangerine
	9709504	Pink
9	W10001200	Screw
10	Rubber Foot	
	9708927	Grey
11	Power Cord	
	9708919	White
	9708931	Black
12	W10283470	Nameplate
13	W10269237	EMI Filter

Attachment Parts

For Variations of Model 5KSB555E

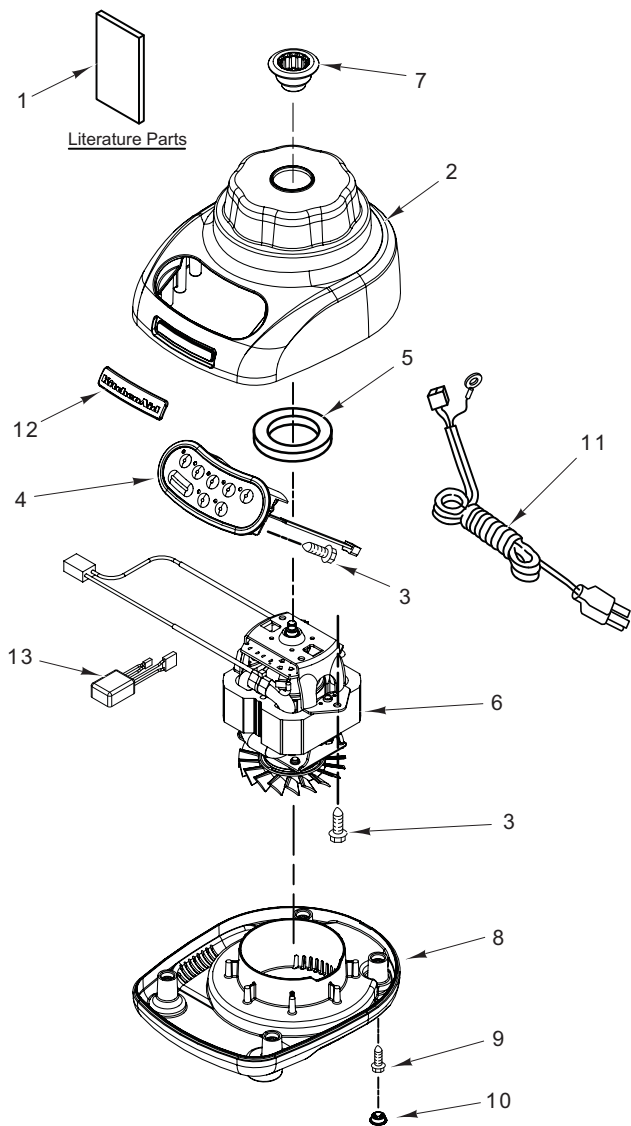


Item No.	Part No.	Description
1	Lid Assembly (Includes Cap)	
	W10236600	Almond Creme
	W10236597	Empire Red
	9709363	Onyx Black
	9709362	White
	W10236601	Cobalt Blue
	W10236599	Majestic Yellow
	W10236602	Tangerine
	W10236598	Pink
2	Jar Assembly	
	W10279537	Almond Creme
	W10279533	Empire Red
	W10279534	Onyx Black
	W10279528	White
	W10279538	Cobalt Blue
	W10279536	Majestic Yellow
	W10279539	Tangerine
	W10279535	Pink
3	W10221782	Jar, Glass
4	W10292571	Gasket, Jar
5	Collar, w/Blades	
	W10279521	Almond Creme
	W10279517	Empire Red
	W10279518	Onyx Black
	W10279516	White
	W10279522	Cobalt Blue
	W10279520	Majestic Yellow
	W10279523	Tangerine
	W10279519	Pink

Parts List

Unit Parts

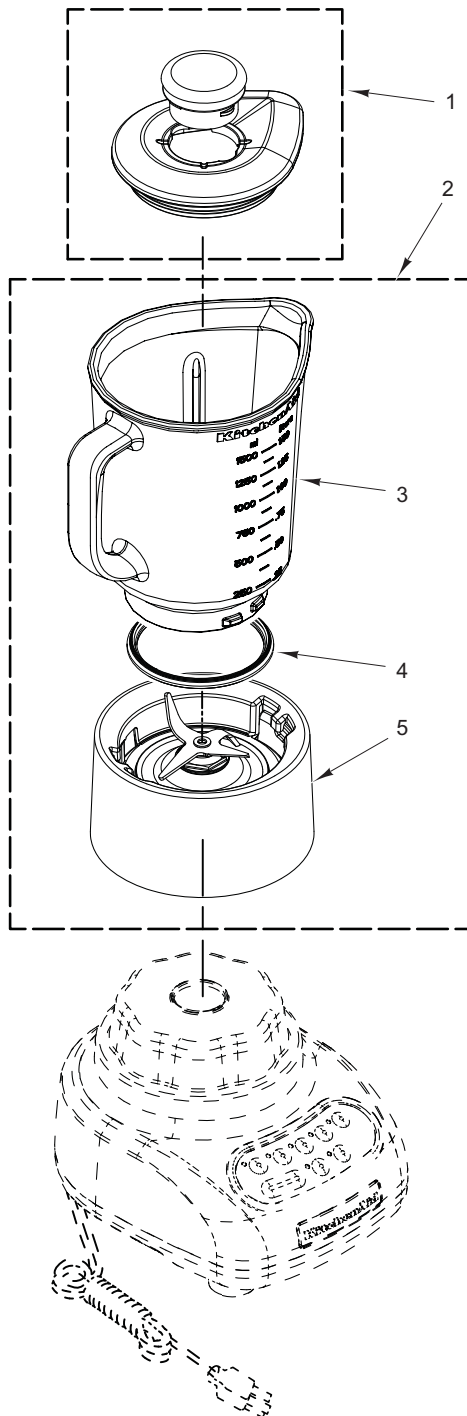
For Variations of Model 5KSB555S



Item No.	Part No.	Description
1	Literature Parts	
	W10236556	Use & Care Guide
	W10285050	Repair Parts List
2	Upper Housing	
	9709259	Empire Red
	9709226	Onyx Black
	9709499	Imperial Grey
	9708896	White
3	W10068250	Screw
4	Control Assembly (Includes Overlay)	
	W10291857	Silver
5	9709366	Motor Seal
6	W10249833	Motor, 240V, 5sp
7	W10279256	Drive Coupling
8	Base	
	9709917	Empire Red
	9708937	Onyx Black
	9708890	White
9	W10001200	Screw
10	Rubber Foot	
	9708927	Grey
11	Power Cord	
	9708921	White
	9708935	Black
12	W10283470	Nameplate
13	W10269237	EMI Filter

Attachment Parts

For Variations of Model 5KSB555S



Item No.	Part No.	Description
1	Lid Assembly (Includes Cap)	
	W10236597	Empire Red
	9709363	Onyx Black
	9709362	White
2	Jar Assembly	
	W10279533	Empire Red
	W10279534	Onyx Black
	W10279528	White
3	W10221782	Jar, Glass
4	W10292571	Gasket, Jar
5	Collar, w/Blades	
	W10279517	Empire Red
	W10279518	Onyx Black
	W10279516	White

KitchenAid[®]
FOR THE WAY IT'S MADE. [™]

KitchenAid Countertop Appliances
St. Joseph, Michigan 49085 U.S.A.

Free Manuals Download Website

<http://myh66.com>

<http://usermanuals.us>

<http://www.somanuals.com>

<http://www.4manuals.cc>

<http://www.manual-lib.com>

<http://www.404manual.com>

<http://www.luxmanual.com>

<http://aubethermostatmanual.com>

Golf course search by state

<http://golfingnear.com>

Email search by domain

<http://emailbydomain.com>

Auto manuals search

<http://auto.somanuals.com>

TV manuals search

<http://tv.somanuals.com>