



OUTDOOR BUILT-IN SEAR BURNER

Installation Instructions and Use & Care Guide

For questions about features, operation/performance, parts, accessories or service, call: **1-800-422-1230**
or visit our website at www.kitchenaid.com

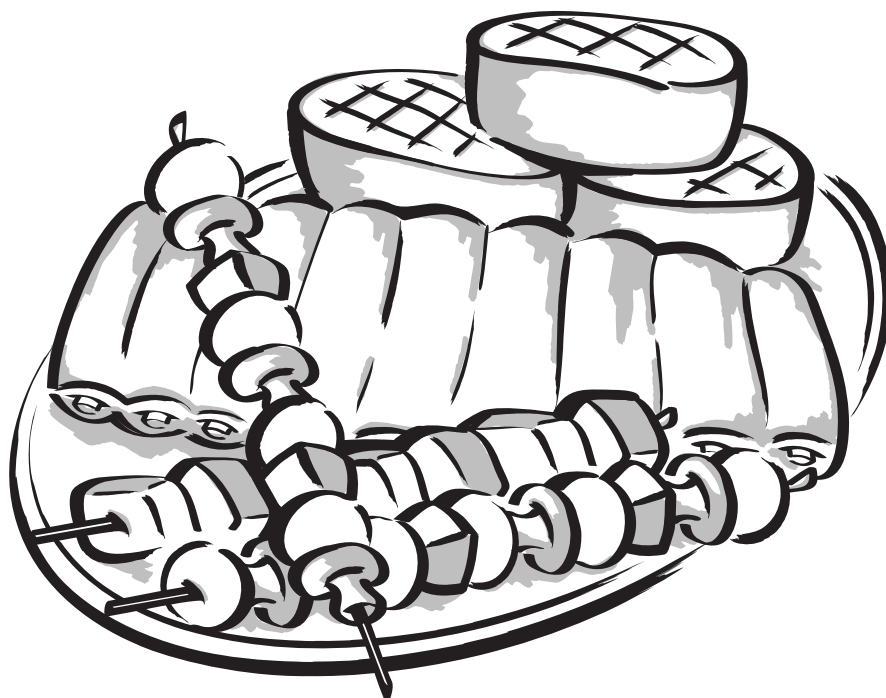
In Canada, call for assistance, installation and service, call: **1-800-807-6777**
or visit our website at www.KitchenAid.ca

BRÛLEUR À INFRAROUGE ENCASTRÉ POUR USAGE EXTÉRIEUR

Instructions d'installation et Guide d'utilisation et d'entretien

Au Canada, pour assistance, installation ou service composez le **1-800-807-6777** ou visitez notre site web à...
www.KitchenAid.ca

Table of Contents/Table des matières..... 2



IMPORTANT:

Save for local electrical inspector's use.

Installer: Leave installation instructions with the homeowner.

Homeowner: Keep installation instructions for future reference.

IMPORTANT :

À conserver pour consultation par l'inspecteur local des installations électriques.

Installateur : Remettre les instructions d'installation au propriétaire.

Propriétaire : Conserver les instructions d'installation pour référence ultérieure.

Models/Modèles KBEU121T

W10117506B

TABLE OF CONTENTS

OUTDOOR BUILT-IN SEAR BURNER SAFETY	3
INSTALLATION REQUIREMENTS	5
Tools and Parts	5
Location Requirements	5
Product Dimensions	5
Cabinet Dimensions	5
Electrical Requirements	6
Gas Supply Requirements	7
INSTALLATION INSTRUCTIONS	8
Outdoor Sear Burner Installation	8
Check and Adjust the Burners	9
OUTDOOR SEAR BURNER USE	9
Lighting the Infrared Sear Burner.....	9
Using Your Infrared Sear Burner.....	10
OUTDOOR SEAR BURNER CARE	10
General Cleaning.....	10
TROUBLESHOOTING	11
ASSISTANCE OR SERVICE	12
In the U.S.A.	12
Accessories	12
In Canada	12
WARRANTY	12

TABLE DES MATIÈRES

SÉCURITÉ DU BRÛLEUR À INFRAROUGE ENCASTRÉ D'EXTÉRIEUR	14
EXIGENCES D'INSTALLATION	16
Outillage et pièces	16
Exigences d'emplacement.....	16
Dimensions du produit	16
Dimensions du placard	16
Spécifications électriques	17
Spécifications de l'alimentation en gaz	18
INSTRUCTIONS D'INSTALLATION	19
Installation du brûleur à infrarouge d'extérieur	19
Contrôle et réglage des brûleurs.....	20
UTILISATION DU BRÛLEUR À INFRAROUGE D'EXTÉRIEUR	20
Allumage du brûleur à infrarouge.....	20
Utilisation du brûleur à infrarouge.....	21
ENTRETIEN DU BRÛLEUR À INFRAROUGE D'EXTÉRIEUR	21
Nettoyage général	21
DÉPANNAGE	23
ASSISTANCE OU SERVICE	23
Accessoires	23
GARANTIE	23

OUTDOOR BUILT-IN SEAR BURNER SAFETY

Your safety and the safety of others are very important.

We have provided many important safety messages in this manual and on your appliance. Always read and obey all safety messages.



This is the safety alert symbol.

This symbol alerts you to potential hazards that can kill or hurt you and others.

All safety messages will follow the safety alert symbol and either the word "DANGER" or "WARNING."

These words mean:

⚠ DANGER

You can be killed or seriously injured if you don't immediately follow instructions.

⚠ WARNING

You can be killed or seriously injured if you don't follow instructions.

All safety messages will tell you what the potential hazard is, tell you how to reduce the chance of injury, and tell you what can happen if the instructions are not followed.

⚠ DANGER

If you smell gas:

1. Shut off gas to the appliance.
2. Extinguish any open flame.
3. Open lid.
4. If odor continues, keep away from the appliance and immediately call your gas supplier or your fire department.

⚠ WARNING

1. Do not store or use gasoline or other flammable liquids or vapors in the vicinity of this or any other appliance.
2. An LP cylinder not connected for use shall not be stored in the vicinity of this or any other appliance.

The California Safe Drinking Water and Toxic Enforcement Act requires the Governor of California to publish a list of substances known to the State of California to cause cancer, birth defects, or other reproductive harm, and requires businesses to warn of potential exposure to such substances.

WARNING: This product contains a chemical known to the State of California to cause cancer, birth defects, or other reproductive harm.

This appliance can cause low-level exposure to some of the substances listed, including benzene, formaldehyde, carbon monoxide, toluene, and soot.

In the State of Massachusetts, the following installation instructions apply:

- Installations and repairs must be performed by a qualified or licensed contractor, plumber, or gasfitter qualified or licensed by the State of Massachusetts.
- If using a ball valve, it shall be a T-handle type.
- A flexible gas connector, when used, must not exceed 3 feet.

IMPORTANT: This sear burner is manufactured for outdoor use only. For sear burners that are to be used at elevations above 2000 ft (609.6 m) orifice conversion is required. See “Gas Supply Requirements” section. It is the responsibility of the installer to comply with the minimum installation clearances specified on the model/serial rating plate. The model/serial rating plate can be found on the right-hand side panel.

Copies of the standards listed may be obtained from:

National Fire Protection Association
One Batterymarch Park
Quincy, Massachusetts 02269

CSA International
8501 East Pleasant Valley Rd.
Cleveland, Ohio 44131-5575

IMPORTANT SAFETY INSTRUCTIONS

WARNING: To reduce the risk of fire, electrical shock, injury to persons, or damage when using the outdoor cooking gas appliance, follow basic precautions, including the following:

- Do not install portable or built-in outdoor cooking gas appliances in or on a recreational vehicle, portable trailer, boat or in any other moving installation.
 - Always maintain minimum clearances from combustible construction, see “Location Requirements” section.
 - The outdoor cooking gas appliance shall not be located under overhead unprotected combustible construction.
 - This outdoor cooking gas appliance shall be used only outdoors and shall not be used in a building, garage, or any other enclosed area.
 - Keep any electrical supply cord and fuel supply hose away from any heated surfaces.
 - Keep outdoor cooking gas appliance area clear and free from combustible materials, gasoline and other flammable vapors and liquids.
 - Do not obstruct the flow of combustion and ventilation air. Keep the ventilation openings of the cylinder enclosure free and clear from debris.
 - Inspect the gas cylinder supply hose before each use of the outdoor cooking gas appliance. If the hose shows excessive abrasion or wear, or is cut, it **MUST** be replaced before using the outdoor cooking gas appliance. Contact your dealer and use only replacement hoses specified for use with the outdoor cooking gas appliance.
 - Visually check the burner flames. They should be blue. Slight yellow tipping is normal for LP gas.
 - Check and clean burner/venturi tube for insects and insect nest. A clogged tube can lead to fire under the outdoor cooking gas appliance.
 - The LP gas supply cylinder to be used must be:
 - constructed and marked in accordance with the Specification for LP Gas Cylinders of the U.S. Department of Transportation (DOT) or the National Standard of Canada, CAN/CSA-B339, Cylinders, Spheres, and Tubes for Transportation of Dangerous Goods; and Commission.
 - provided with a listed overfilling prevention device.
 - provided with a cylinder connection device compatible with the connection for outdoor cooking gas appliances.
 - Always check connections for leaks each time you connect and disconnect the LP gas supply cylinder. See “Installation Instructions” section.
 - When the outdoor cooking gas appliance is not in use, the gas must be turned off at the supply cylinder.
 - Storage of an outdoor cooking gas appliance indoors is permissible only if the cylinder is disconnected and removed from the outdoor cooking gas appliance.
 - Cylinders must be stored outdoors and out of the reach of children and must not be stored in a building, garage, or any other enclosed area.
 - The pressure regulator and hose assembly supplied with the outdoor cooking gas appliance must be used. A replacement pressure regulator and hose assembly specific to your model is available from your outdoor cooking gas appliance dealer.
 - Gas cylinder must include a collar to protect the cylinder valve.
 - For appliances designed to use a CGA791 Connection: Place a dust cap on cylinder valve outlet whenever the cylinder is not in use. Only install the type of dust cap on the cylinder valve outlet that is provided with the cylinder valve. Other types of caps or plugs may result in leakage of propane.
- If the following information is not followed exactly, a fire causing death or serious injury may occur.
- Do not store a spare LP gas cylinder under or near this outdoor cooking gas appliance.
 - Never fill the cylinder beyond 80 percent full.

SAVE THESE INSTRUCTIONS

INSTALLATION REQUIREMENTS

Tools and Parts

Gather the required tools and parts before starting installation. Read and follow the instructions provided with any tools listed here.

Tools Needed

- Tape measure
- Small, flat-blade screwdriver
- Flat-blade screwdriver
- #2 and #3 Phillips screwdriver
- Level
- Wrench or pliers
- Pipe wrench
- Scissors or cutting pliers (to remove tiedowns)
- Noncorrosive leak detection solution

Parts Needed

- Gas line shutoff valve
- 1/2" male pipe thread nipple for connection to pressure regulator
- LP gas-resistant pipe-joint compound
- CSA design-certified outdoor flexible stainless steel appliance connector (4-5 ft [1.2-1.5 m]) or rigid gas supply line as needed.

Parts Supplied

- Convertible regulator set for 4" WCP Natural gas.
- Single-prong plug/5,000 mA transformer assembly

Location Requirements

Select a location that provides minimum exposure to wind and traffic paths. The location should be away from strong draft areas.

Do not obstruct flow of combustion and ventilation air.

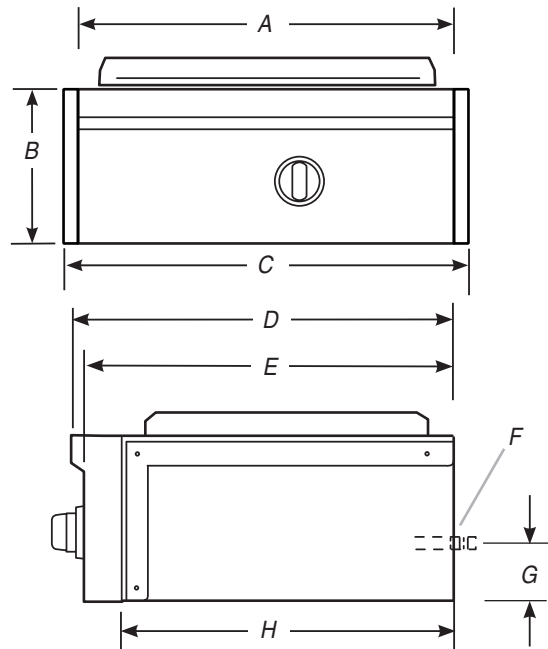
Clearance to combustible construction for built-in outdoor sear burners:

- A minimum of 24" (58 cm) must be maintained between the sides and back and any combustible construction.
- A 24" (58 cm) minimum clearance must also be maintained below the cooking surface and any combustible construction.

Ignition

A grounded, 3-prong outdoor outlet located to the left of the sear burner is required. See "Electrical Requirements" section.

Product Dimensions



A. 13" (33 cm)

B. 12 3/4" (32.4 cm)

C. 17" (43.2 cm)

D. 26 3/8" (67 cm)

E. 25 3/8" (64.5 cm)

F. Manifold pipe

G. 2 1/2" (6.4 cm)

H. 22 3/4" (57.8 cm)

Built-In Outdoor Sear Burner Enclosure

The enclosure for the built-in outdoor sear burner is to be a minimum of 11" (28.0 cm) high x 23" (58.4 cm) deep x 14" (35.6 cm) wide.

Cabinet Dimensions

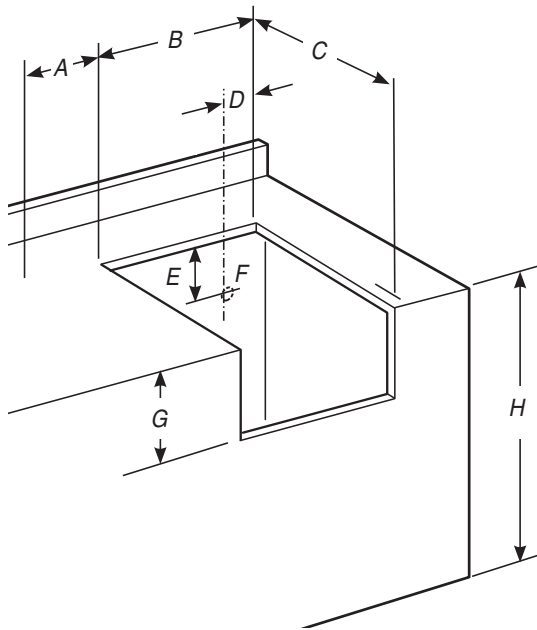
Enclosure and clearance dimensions that are shown must be used. Given dimensions provide required clearances.

Counter or support surfaces must be level.

The installation of this sear burner must conform with local codes or, in the absence of local codes, with either the National Fuel Gas Code, ANSI Z223.1/NPFA 54, Natural Gas and Propane Installation Code, CSA B149.1, or Propane Storage and Handling Code, B149.2.

Copies of the standards listed may be obtained from:
CSA International
8501 East Pleasant Valley Rd.
Cleveland, Ohio 44131-5575

NOTE: The outdoor sear burner drops into the enclosure opening and is supported by its side flanges. No bottom support is needed.



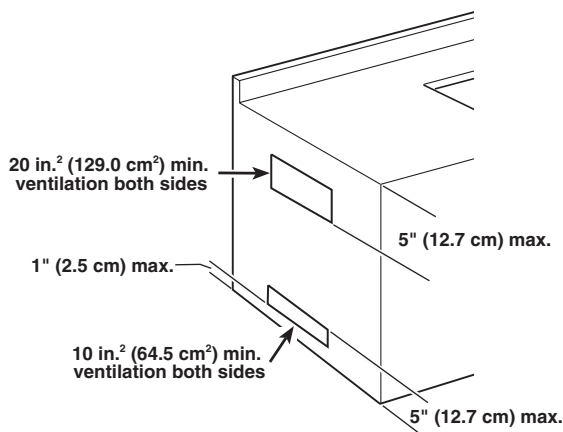
- | | |
|----------------------------------------------------------|---------------------------------------------|
| A. 12" (30.5 cm) minimum to sear burner or any accessory | E. 7 $\frac{1}{8}$ " (18.1 cm) |
| B. 13 $\frac{1}{2}$ " (34.3 cm) | F. Gas line location at rear of sear burner |
| C. 22 $\frac{11}{16}$ " (57.6 cm) | G. 10 $\frac{5}{8}$ " (27.0 cm) |
| D. 2 $\frac{1}{4}$ " (5.7 cm) | H. 35 $\frac{1}{2}$ " (90.2 cm) |

Built-in Outdoor Sear Burner Enclosure Ventilation for LP Gas:

An enclosure for an LP gas fuel tank is to be ventilated by openings at both the top and lower levels of the enclosure.

If converting to LP gas these vents are to be in the enclosure:

An enclosure for use with an LP gas fuel tank for built-in installation is to have at least one ventilation opening on an exposed exterior side located within 5" (12.7 cm) of the top and is to be a minimum of 20 in.² (129.0 cm²). One ventilation opening within 1" (2.5 cm) of the bottom of the enclosure and the bottom opening is to be a minimum of 10 in.² (64.5 cm²). All vent openings are to be unobstructed. Every opening is to be a minimum of $\frac{1}{8}$ " (0.32 cm) wide.



Electrical Requirements

⚠ WARNING



Electrical Shock Hazard

- Plug into a grounded 3 prong outlet.**
- Do not remove ground prong.**
- Do not use an adapter.**
- Do not use an extension cord.**
- Failure to follow these instructions can result in death, fire, or electrical shock.**

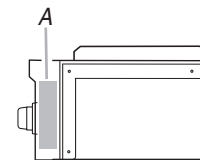
If codes permit and a separate ground wire is used, it is recommended that a qualified electrician determine that the ground path is adequate.

Check with a qualified electrician if you are not sure whether the infrared sear burner is properly grounded.

A 120-volt, 60-Hz, AC-only, 15-amp, fused electrical supply is required.

It is recommended that a separate circuit servicing only this sear burner be provided.

The model/serial number rating plate is located on the right-hand side panel. See the following illustration.



A. Model/serial number plate

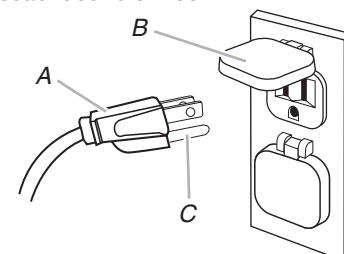
Recommended Ground Method

The outdoor infrared sear burner, when installed, must be electrically grounded in accordance with local codes or, in the absence of local codes, with the National Electrical Code ANSI/NFPA 70, or Canadian Electrical Code, CSA C22.1.

Copies of the standards listed above may be obtained from:

CSA International
8501 East Pleasant Valley Rd.
Cleveland, Ohio 44131-5575

National Fire Protection Association
One Batterymarch Park
Quincy, Massachusetts 02269



- A. 3 prong ground plug
- B. 3-prong polarized type outdoor outlet
- C. Ground prong

Gas Supply Requirements

⚠ WARNING



Explosion Hazard

Use a new CSA International approved "outdoor" gas supply line.

Securely tighten all gas connections.

If connected to LP, have a qualified person make sure gas pressure does not exceed 11" (28 cm) water column.

Examples of a qualified person include:
licensed heating personnel,
authorized gas company personnel, and
authorized service personnel.

Failure to do so can result in death, explosion, or fire.

Observe all governing codes and ordinances.

IMPORTANT: This installation must conform with all local codes and ordinances. In the absence of local codes, installation must conform with American National Standard, National Fuel Gas Code ANSI Z223.1 - latest edition or CAN/CGA B149.1 - latest edition.

IMPORTANT: The infrared sear burner must be connected to a regulated gas supply.

Refer to the model/serial rating plate for information on the type of gas that can be used. If this information does not agree with the type of gas available, check with your local gas supplier.

Gas Conversion:

No attempt shall be made to convert the infrared sear burner from the gas specified on the model/serial rating plate for use with a different gas type without consulting the serving gas supplier. The conversion kits specified must be used.

Gas Pressure Regulator

The gas pressure regulator supplied with this infrared sear burner must be used. The inlet (supply) pressure to the regulator should be as follows for proper operation:

LP Gas:

Set pressure: 11" (27.9 cm) WCP

Inlet (supply) pressure: 11" to 14" (27.9 cm to 35.5 cm) WCP

Natural Gas:

Set pressure: 4" (10.2 cm) WCP

Inlet (supply) pressure: 7" to 14" (17.8 cm to 35.5 cm) WCP maximum.

Contact local gas supplier if you are not sure about the inlet (supply) pressure.

Burner Requirements for High Altitude

Input ratings shown on the model/serial rating plate are for elevations up to 2,000 ft (609.6 m).

For elevations above 2,000 ft (609.6 m), ratings are reduced at a rate of 4% for each 1,000 ft (304.8 m) above sea level. Orifice conversion is required. See "Assistance or Service" section to order.

Gas Supply Line Pressure Testing

Testing above ½ psi (3.5 kPa) or 14" (35.5 cm) WCP (gauge):

The infrared sear burner and its individual shutoff valve must be disconnected from the gas supply piping system during any pressure testing of that system at test pressures greater than ½ psig (3.5 kPa).

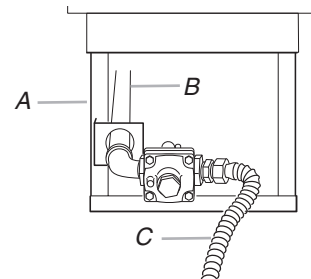
Testing below ½ psi (3.5 kPa) or 14" (35.5 cm) WCP (gauge) or lower:

The infrared sear burner must be isolated from the gas supply piping system by closing its individual manual shutoff valve during any pressure testing of the gas supply piping system at test pressures equal to or less than ½ psig (3.5 kPa).

Natural Gas:

Infrared sear burners are equipped for use with Natural gas. They are design-certified by CSA International for LP (propane or butane) gases with appropriate conversion.

Infrared sear burners are set for Natural gas use and have a pressure regulator with ½" (1.3 cm) female pipe threads.

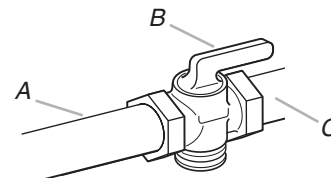


A. Rear side of burner

B. ½" (1.3 cm) sear burner gas pipe

C. New CSA approved outdoor flexible gas supply line

The supply line shall be equipped with an approved shutoff valve. This valve should be located in the same area as the burner and should be in a location that allows ease of opening and closing. Do not block access to the shutoff valve. The valve is for turning on or shutting off gas to the appliance.



A. Gas supply line

B. Open position of shutoff valve

C. To sear burner

LP gas conversion from a local LP gas supply:

Conversion must be made by a qualified person. A qualified Natural gas technician shall provide the LP gas supply to the selected sear burner location in accordance with the National Fuel Gas Code ANSI Z223.1/NFPA54 latest edition, and local codes.

To convert to LP gas, the LP Gas Conversion Kit Number W10118099 must be used. Follow Instructions included with kit.

LP gas conversion using a 20 lb LP fuel tank:

To convert to LP gas, the LP Gas Conversion Kit Number W10118099 must be used. Follow Instructions included with kit.

A 20 lb (9.1 kg) LP gas fuel tank must be purchased separately.

INSTALLATION INSTRUCTIONS

Outdoor Sear Burner Installation

! WARNING

Excessive Weight Hazard

Use two or more people to move and install built-in sear burner.

Failure to do so can result in back or other injury.

- Unpack sear burner. Remove all packaging materials and remove sear burner from carton.
- Move sear burner close to desired outdoor location.

Make Gas Connection

Natural Gas Use

This installation must conform with local codes and ordinances. In the absence of local codes, installations must conform with either the National Fuel Gas Code ANSI Z223.1 - latest edition, or CAN/CGA-B149.1 Natural Gas and Propane installation code.

1. Place sear burner into outdoor enclosure, but leave enough room in back to connect to gas supply and plug in electrical single-prong plug to sear burner.

! WARNING



Explosion Hazard

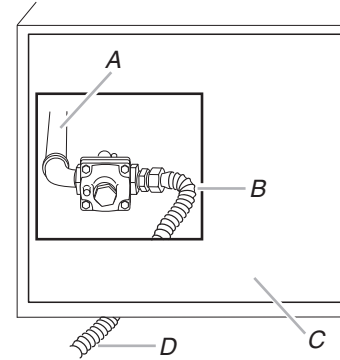
Use a new CSA International approved "outdoor" gas supply line.

Securely tighten all gas connections.

Failure to do so can result in death, explosion, or fire.

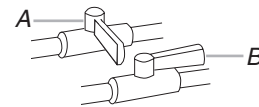
2. A combination of pipe fittings must be used to connect the sear burner to the existing gas line. If local codes permit, use an outdoor flexible stainless steel tubing gas connector, design-certified by CSA International, to connect the sear burner to the rigid gas supply line. A $\frac{5}{8}$ " diameter line is recommended. Pipe-joint compounds suitable for use with Natural gas must be used. Do not use TEFLON[†] tape.

3. Using a wrench to tighten, connect the gas supply to the sear burner. Use pipe-joint compound on all non-flared male threads. Do not kink or damage the flexible connector when moving the sear burner.



A. $\frac{1}{2}$ " (1,3 cm) sear burner gas pipe
B. New CSA International approved "outdoor" flexible gas supply line
C. Rear of sear burner
D. To Natural gas supply

4. Open the manual shutoff valve in the gas supply line. The valve is open when the handle is parallel to the gas pipe.

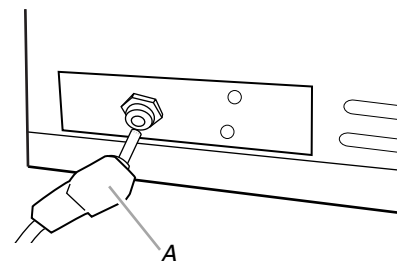


A. Closed valve
B. Open valve

5. Test all connections by brushing on an approved noncorrosive leak-detection solution. Bubbles will show a leak. Correct any leak found.

Plug in Sear Burner

1. This built-in outdoor sear burner comes with a 5,000 mAmp power transformer plug assembly for the igniter system. Plug in the single-prong plug in the receptacle on the lower left-hand side of the sear burner.



A. Single-prong plug

[†]TEFLON is a registered trademark of E.I. Du Pont De Nemours and Company.

⚠ WARNING



Electrical Shock Hazard

Plug into a grounded 3 prong outlet.

Do not remove ground prong.

Do not use an adapter.

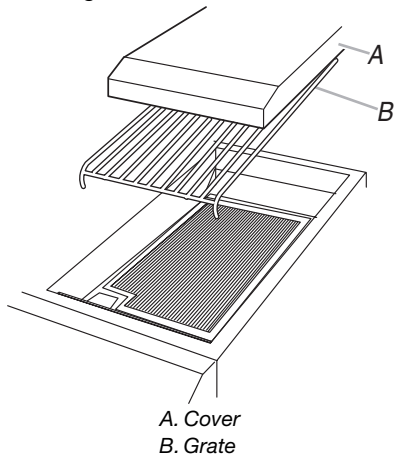
Do not use an extension cord.

Failure to follow these instructions can result in death, fire, or electrical shock.

2. Plug into a grounded 3 prong outlet.
3. Gently slide sear burner completely into outdoor enclosure.

Assemble Cooking Area

1. Lift off cover and grate and set aside.



2. Remove packing from around burners.
3. Reinstall grate.

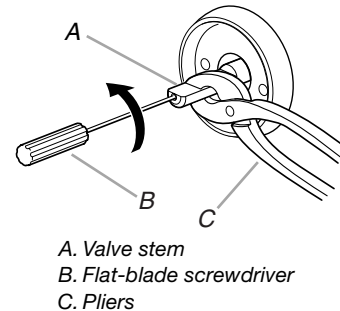
Check and Adjust the Burners

The burners are tested and factory-set for most efficient operation. However, variations in gas supply and other conditions may make minor adjustments to low flame setting necessary. It is recommended that adjustments be made by a qualified person.

Checking and adjusting the burner flames requires removing the grate.

If flame goes out on the LO setting, the low flame setting must be adjusted.

1. Light the burner and turn control knob to its lowest setting and remove knob.
2. Hold the valve stem with pliers and insert a thin flat blade screwdriver into the shaft.
3. Watch the flame and slowly turn screwdriver counterclockwise.
4. Adjust flame to the minimum stable flame.



5. Replace control knob and turn off the burner.
6. Reassemble grate.

OUTDOOR SEAR BURNER USE

Lighting the Infrared Sear Burner

⚠ WARNING

Food Poisoning Hazard

Do not let food sit for more than one hour before or after cooking.

Doing so can result in food poisoning or sickness.

1. Remove the outdoor sear burner cover.
2. Make sure control knobs are turned to OFF.
3. Turn the gas supply on:

Natural gas or LP gas from a local supply

- Using gas supply source other than 20 lb LP gas fuel tank:

Turn the shutoff valve to open position from the front of gas supply line.

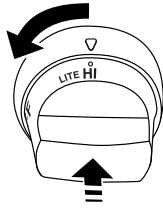
20 lb LP gas fuel tank, if converted

See the "Gas Supply Requirements" section.

- Using a 20 lb LP gas fuel tank:
Slowly open the tank valve.

NOTE: If flow limiting device activates, your grill may not light. If your grill does light, the flames will be low and will not heat properly. Turn tank valve and all control knobs off and wait 30 seconds. After shutting off the tank, very slowly open tank valve and wait 5 seconds before lighting.

4. Do not lean over the sear burner. Push in and turn the sear burner control knob to LITE/HI, while continuing to hold it in.

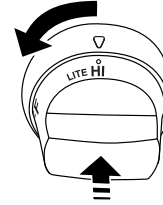


5. You will see the igniter glow. When burner is lit, release the knob. Turn knob to desired setting.

IMPORTANT: If burner does not light immediately, turn the burner knob to OFF and wait 5 minutes before relighting.

- Preheat sear burner on high for 5 minutes. Preheating provides the high heat needed to brown and seal the juices.
- Shorten the preheat time when grilling high-fat cuts of meat or poultry, such as chicken thighs. This will help reduce flare-ups.

5. Do not lean over the sear burner. Push in and turn the burner knob to LITE/HI. The burner will light immediately. When burner is lit, turn knob to desired setting.



6. Remove match and replace manual lighting extension inside its holder.

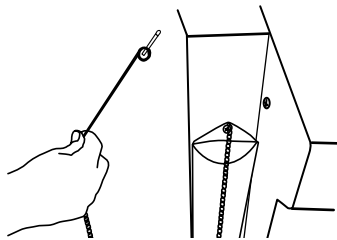
IMPORTANT:

If burner does not light immediately, turn the burner knob to OFF and wait 5 minutes before relighting.

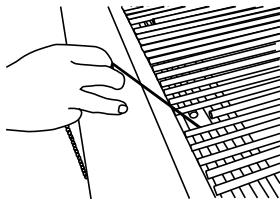
If any burners do not light after attempting to manually light them, contact the KitchenAid Customer eXperience Center. See the "Assistance or Service" section.

Manually Lighting Infrared Sear Burners

1. Remove the outdoor sear burner cover.
2. Remove the manual lighting extension (see following illustration) and attach a match to the split ring.



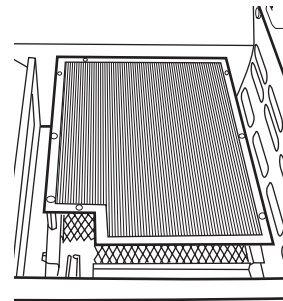
3. Strike the match to light it.
4. Guide the lit match between the grate and the burner cover.



Using Your Infrared Sear Burner

Infrared grilling produces intense heat which quickly sears the meat. Searing locks in flavor and juices while allowing the outer surface to absorb smoke and food aroma that is produced as grease and drippings are vaporized by the burner. The result is a crisp, flavorful outside with a tender, juicy inside.

- Preheat the infrared sear burner for 5 minutes.
- Ensure that meats are fully thawed and that all excess fat is trimmed away prior to grilling.
- Leave the burner set to HI when placing food on the grill to sear.
- Use the sear burner to sear meat 1 to 2 minutes on each side, then move the meat to the main grill cooking surface to finish grilling to the desired doneness.



NOTE: View is shown with grate removed. Grate is to be in place when using the infrared sear burner.

OUTDOOR SEAR BURNER CARE

General Cleaning

IMPORTANT: Before cleaning, make sure all controls are off and the sear burner is cool. Always follow label instructions on cleaning products.

For routine cleaning, wash with soap and water using a soft cloth or sponge. Rinse with clean water and dry at once with a soft, lint-free cloth to avoid spots and streaks.

Do not use steel wool to clean the sear burner, as it will scratch the surface.

To avoid weather damage to finish, use stainless steel sear burner cover.

STAINLESS STEEL

IMPORTANT: Do not use soap-filled scouring pads, abrasive cleaners, Cooktop Polishing Creme, steel wool, gritty wash cloths or paper towels.

To avoid damage to the finish, cleaners should not contain chlorine.

Food spills should be cleaned as soon as entire sear burner is cool. Spills may cause permanent discoloration.

Cleaning Method:

- Rub in direction of grain to avoid scratching or damaging the surface.
- KitchenAid® Stainless Steel Cleaner and Polish Part Number 4396920 (not included) or KitchenAid Stainless Steel Wipes Part Number 8212510 (not included): See “Assistance or Service” section to order.
- Liquid detergent or all-purpose cleaner:
- Rinse with clean water and dry with soft, lint-free cloth.
- Vinegar to remove hard water spots.
- Glass cleaner to remove fingerprints.

EXTERIOR

The quality of this material resists most stains and pitting, providing that the surface is kept clean and is maintained.

- Apply stainless steel polish to all non-cooking areas before first use. Reapply after each cleaning to avoid permanent damage to surface.
- Cleaning should always be followed by rinsing with clean warm water.
- Wipe the surface completely dry with a soft cloth.
- For tough spots or baked-on grease, use Kitchen and BBQ Grill Degreaser Part Number 31617, a commercial degreaser designed for stainless steel. See “Assistance or Service” section to order.

INTERIOR

Discoloration of stainless steel on these parts is to be expected, due to intense heat from the burners. Always rub in the direction of the grain. Cleaning should always be followed by rinsing with clean, warm water.

Cleaning Method:

- Liquid detergent or all-purpose cleaner.
- Rinse with clean water and dry completely with a soft, lint-free cloth.
- A heavy-duty scrub sponge can be used with mild cleaning products.
- For small, difficult-to-clean areas, use Kitchen and BBQ Grill Degreaser Part Number 31617, a commercial degreaser designed for stainless steel. See “Assistance or Service” section to order.

SEAR BURNER GRATE

Cleaning Method:

- Clean with a brass bristle brush.
- Wash grate using mild detergent, warm water and degreaser.
- Rinse with clean water and dry with soft, lint-free cloth.
- KitchenAid® Stainless Steel Cleaner and Polish Part Number 4396920 (not included) or KitchenAid® Stainless Steel Wipes Part Number 8212510 (not included): See “Assistance or Service” section to order.

KNOB AND FLANGE AREA AROUND KNOBS

IMPORTANT: Do not use steel wool, abrasive cleaners, or oven cleaner.

Do not soak knobs.

Cleaning Method:

- Mild detergent, a soft cloth and warm water.
- Rinse and dry.

CONTROL PANEL GRAPHICS

IMPORTANT: Do not use steel wool, abrasive cleaners or oven cleaner.

Do not spray cleaner directly onto panel.

Cleaning Method:

- Clean around the burner labels gently; scrubbing may remove printing.
- Mild detergent, soft cloth and warm water.
- Rinse and dry.

INFRARED SEAR BURNERS

Cleaning Method:

1. Light the infrared sear burner. See the “Lighting the Infrared Sear Burner” in the “Outdoor Sear Burner Use” section.
2. Turn knob to HI.
3. Leave the burner on high for approximately 30 minutes.
4. Turn knob to OFF and let cool completely.
5. Remove the grate and brush off ash particles from the sear burner cover plate.
6. Replace the grate.

DRIP TRAY

IMPORTANT: The drip tray should only be removed when sear burner is completely cool.

The drip tray collects grease and food particles that fall through the sear burner. Clean often to avoid grease buildup.

Cleaning Method:

- Remove tray and set on a flat surface.
- Wipe excess grease with paper towels.
- Mild detergent and warm water. Rinse and dry thoroughly.
- Replace tray.

TROUBLESHOOTING

Try the solutions suggested here first in order to avoid the cost of an unnecessary service call.

Nothing will operate

- **Is the main or regulator gas shutoff valve in the off position?**
See the Installation Instructions.
- **Is the gas supply properly connected?**
Contact a trained repair specialist or see Installation Instructions.

ASSISTANCE OR SERVICE

Before calling for assistance or service, please check "Troubleshooting." It may save you the cost of a service call. If you still need help, follow the instructions below.

When calling, please know the purchase date and the complete model and serial number of your appliance. This information will help us to better respond to your request.

If you need replacement parts

If you need to order replacement parts, we recommend that you use only factory specified parts. These factory specified parts will fit right and work right because they are made with the same precision used to build every new KITCHENAID® appliance.

To locate factory specified parts in your area, call us or your nearest KitchenAid designated service center.

In the U.S.A.

Call the KitchenAid Customer eXperience Center toll free: **1-800-422-1230**.

Our consultants provide assistance with:

- Features and specifications on our full line of appliances.
- Installation information.
- Use and maintenance procedures.
- Accessory and repair parts sales.
- Specialized customer assistance (Spanish speaking, hearing impaired, limited vision, etc.).
- Referrals to local dealers, repair parts distributors and service companies. KitchenAid designated service technicians are trained to fulfill the product warranty and provide after-warranty service, anywhere in the United States.

To locate the KitchenAid designated service company in your area, you can also look in your telephone directory Yellow Pages.

For further assistance

If you need further assistance, you can write to KitchenAid with any questions or concerns at:

KitchenAid Brand Home Appliances
Customer eXperience Center
553 Benson Road
Benton Harbor, MI 49022-2692

Please include a daytime phone number in your correspondence.

Accessories

Kitchen and BBQ Grill Degreaser

Order Part Number 31617

KitchenAid® Stainless Steel Cleaner and Polish

Order Part Number 4396920

KitchenAid® Stainless Steel Wipes

Order Part Number 8212510

In Canada

Call the KitchenAid Canada Customer eXperience Centre toll free: **1-800-807-6777**.

Our consultants provide assistance with:

- Features and specifications on our full line of appliances.
- Use and maintenance procedures.
- Accessory and repair parts sales.
- Referrals to local dealers, repair parts distributors and service companies. KitchenAid Canada designated service technicians are trained to fulfill the product warranty and provide after-warranty service, anywhere in Canada.

For further assistance

If you need further assistance, you can write to KitchenAid Canada with any questions or concerns at:

Customer eXperience Centre
KitchenAid Canada
1901 Minnesota Court
Mississauga, Ontario L5N 3A7

Please include a daytime phone number in your correspondence.

KITCHENAID® OUTDOOR PRODUCT WARRANTY

LIMITED WARRANTY

For one year from the date of purchase, when this outdoor product is operated and maintained according to instructions attached to or furnished with the product, KitchenAid brand of Whirlpool Corporation or Whirlpool Canada LP (hereafter "KitchenAid") will pay for Factory Specified Parts and repair labor to correct defects in materials or workmanship. Service must be provided by a KitchenAid designated service company. This limited warranty is valid only in the United States or Canada and applies only when the outdoor product is used in the country in which it was purchased. Outside the 50 United States and Canada, this limited warranty does not apply. Proof of original purchase date is required to obtain service under this limited warranty.

SECOND THROUGH FIFTH YEAR LIMITED WARRANTY ON PARTS ON GRILLS ONLY

In the second through fifth years from the date of purchase when this grill is operated and maintained according to instructions attached to or furnished with the product, KitchenAid will pay for Factory Specified Parts to correct defects in materials or workmanship.

LIFETIME LIMITED WARRANTY ON STAINLESS STEEL COMPONENTS ON GRILLS ONLY

For the life of the product, when this grill is operated and maintained according to instructions attached to or furnished with the product, KitchenAid will pay for replacement of the stainless steel body housing due to defective materials or workmanship. For the life of the product, when this grill is operated and maintained according to instructions attached to or furnished with the product, KitchenAid will pay for replacement parts for the stainless steel grill burners.

ITEMS EXCLUDED FROM WARRANTY

This limited warranty does not cover:

1. Service calls to correct the installation of your outdoor product, to instruct you on how to use your outdoor product, to replace or repair house fuses, or to correct house wiring or plumbing.
2. Cosmetic damage, including scratches, dents, chips or other damage to the finish of your outdoor product, unless such damage results from defects in materials or workmanship and is reported to KitchenAid within 30 days from the date of purchase.
3. Repairs when your outdoor product is used for other than normal, single-family household use or when it is used in a manner that is contrary to published user or operator instructions and/or installation instructions.
4. Damage resulting from accident, alteration, misuse, abuse, fire, flood, acts of God, improper installation, installation not in accordance with electrical or plumbing codes, or use of consumables or cleaning products not approved by KitchenAid.
5. Conversion kit or service call for the conversion of your outdoor product from natural gas to L.P./propane or from L.P./propane to natural gas.
6. Costs associated with the removal from your home of your outdoor product for repairs. This outdoor product is designed to be repaired in the home and only in-home service is covered by this warranty.
7. Repairs to parts or systems resulting from unauthorized modifications made to the outdoor product.
8. Expenses for travel and transportation for product service if your outdoor product is located in a remote area where service by an authorized KitchenAid servicer is not available.
9. The removal and reinstallation of your outdoor product if it is installed in an inaccessible location or is not installed in accordance with published installation instructions.
10. Damage resulting from normal wear and tear of your outdoor product.
11. Outdoor products with original model/serial numbers that have been removed, altered or cannot be easily determined. This warranty is void if the factory applied serial number has been altered or removed from your outdoor product.

The cost of repair or replacement under these excluded circumstances shall be borne by the customer.

DISCLAIMER OF IMPLIED WARRANTIES; LIMITATION OF REMEDIES

CUSTOMER'S SOLE AND EXCLUSIVE REMEDY UNDER THIS LIMITED WARRANTY SHALL BE PRODUCT REPAIR AS PROVIDED HEREIN. IMPLIED WARRANTIES, INCLUDING WARRANTIES OF MERCHANTABILITY OR FITNESS FOR A PARTICULAR PURPOSE, ARE LIMITED TO ONE YEAR OR THE SHORTEST PERIOD ALLOWED BY LAW. KITCHENAID SHALL NOT BE LIABLE FOR INCIDENTAL OR CONSEQUENTIAL DAMAGES. SOME STATES AND PROVINCES DO NOT ALLOW THE EXCLUSION OR LIMITATION OF INCIDENTAL OR CONSEQUENTIAL DAMAGES, OR LIMITATIONS ON THE DURATION OF IMPLIED WARRANTIES OF MERCHANTABILITY OR FITNESS, SO THESE EXCLUSIONS OR LIMITATIONS MAY NOT APPLY TO YOU. THIS WARRANTY GIVES YOU SPECIFIC LEGAL RIGHTS, AND YOU MAY ALSO HAVE OTHER RIGHTS WHICH VARY FROM STATE TO STATE OR PROVINCE TO PROVINCE.

If outside the 50 United States and Canada, contact your authorized KitchenAid dealer to determine if another warranty applies.

If you need service, first see the "Troubleshooting" section of the Use & Care Guide. After checking "Troubleshooting," you may find additional help by checking the "Assistance or Service" section or by calling KitchenAid. In the U.S.A., call **1-800-422-1230**. In Canada, call **1-800-807-6777**.

9/07

Keep this book and your sales slip together for future reference. You must provide proof of purchase or installation date for in-warranty service.

Write down the following information about your major appliance to better help you obtain assistance or service if you ever need it. You will need to know your complete model number and serial number. You can find this information on the model and serial number label located on the product.

Dealer name _____

Address _____

Phone number _____

Model number _____

Serial number _____

Purchase date _____

SÉCURITÉ DU BRÛLEUR À INFRAROUGE ENCASTRÉ D'EXTÉRIEUR

Votre sécurité et celle des autres est très importante.

Nous donnons de nombreux messages de sécurité importants dans ce manuel et sur votre appareil ménager. Assurez-vous de toujours lire tous les messages de sécurité et de vous y conformer.



Voici le symbole d'alerte de sécurité.

Ce symbole d'alerte de sécurité vous signale les dangers potentiels de décès et de blessures graves à vous et à d'autres.

Tous les messages de sécurité suivront le symbole d'alerte de sécurité et le mot "DANGER" ou "AVERTISSEMENT". Ces mots signifient :

 **DANGER**

Risque possible de décès ou de blessure grave si vous ne suivez pas immédiatement les instructions.

 **AVERTISSEMENT**

Risque possible de décès ou de blessure grave si vous ne suivez pas les instructions.

Tous les messages de sécurité vous diront quel est le danger potentiel et vous disent comment réduire le risque de blessure et ce qui peut se produire en cas de non-respect des instructions.

DANGER

En cas de détection d'une odeur de gaz :

- 1. Fermer l'arrivée de gaz de l'appareil.**
- 2. Éteindre toute flamme nue.**
- 3. Ouvrir le couvercle.**
- 4. Si l'odeur persiste, s'éloigner de l'appareil et appeler immédiatement le fournisseur en gaz ou les pompiers.**

AVERTISSEMENT

- 1. Ne pas remiser ou utiliser de l'essence ou tout autre liquide ou vapeur inflammable à proximité de cet appareil ou de tout autre appareil.**
- 2. Ne pas remiser une bouteille de gaz de pétrole liquéfié non raccordée à proximité de cet appareil ou de tout autre appareil.**

IMPORTANT : Ce brûleur à infrarouge est conçu pour un usage à l'extérieur uniquement. Pour les brûleurs à infrarouge destinés à être utilisés à des altitudes supérieures à 2000 pi (609,6 m), il est nécessaire de convertir le gicleur. Voir la section "Spécifications de l'alimentation en gaz". C'est à l'installateur qu'incombe la responsabilité de respecter les dégagements de séparation minimums, spécifiés sur la plaque signalétique de l'appareil. La plaque signalétique se trouve sur le côté droit du brûleur à infrarouge.

On peut obtenir des exemplaires des normes mentionnées aux adresses suivantes :

National Fire Protection Association
One Batterymarch Park
Quincy, Massachusetts 02269

CSA International
8501 East Pleasant Valley Rd.
Cleveland, Ohio 44131-5575

IMPORTANTES INSTRUCTIONS DE SÉCURITÉ

AVERTISSEMENT : Pour réduire le risque d'incendie, de choc électrique, de blessures corporelles ou de dommages lors de l'utilisation de l'appareil de cuisson à gaz d'extérieur, il convient d'observer certaines précautions fondamentales, notamment :

- Ne pas installer les appareils de cuisson à gaz d'extérieur (portatifs ou encastrés) dans ou sur un véhicule récréatif, une remorque portative, un bateau ou toute autre installation mobile.
- Toujours respecter les distances de séparation minimales entre l'appareil et les constructions combustibles; voir la section "Exigences d'emplacement".
- L'appareil de cuisson à gaz d'extérieur ne doit pas être situé sous une construction combustible non protégée.
- Cet appareil de cuisson à gaz d'extérieur doit être utilisé à l'extérieur uniquement; ne pas l'utiliser dans un bâtiment, un garage ou tout autre endroit clos.
- Conserver le cordon d'alimentation électrique et le tuyau d'alimentation en combustible à l'écart des surfaces chauffées.
- Maintenir la zone de l'appareil de cuisson à gaz d'extérieur à l'abri des matériaux combustibles, essence ou autres vapeurs ou liquides inflammables.
- Ne pas obstruer le flux de combustion et la ventilation. Conserver les ouvertures de ventilation de l'enceinte de la bouteille de gaz libre et dépourvues de débris.
- Inspecter le tuyau d'alimentation de la bouteille de gaz avant chaque utilisation de l'appareil de cuisson à gaz d'extérieur. Si le tuyau présente d'importants signes d'abrasion ou d'usure ou s'il est coupé, il DOIT être remplacé avant toute nouvelle utilisation de l'appareil de cuisson à gaz d'extérieur. Contacter votre marchand et utiliser uniquement les tuyaux de rechange spécifiés pour utilisation avec l'appareil de cuisson à gaz d'extérieur.
- Inspecter visuellement les flammes du brûleur. Elles doivent être bleues. Avec du gaz de pétrole liquéfié, il est normal d'observer une légère pointe jaune.
- Nettoyer le tube du brûleur/de la buse et vérifier l'absence d'insectes ou de nids d'insectes. Un tube obstrué peut entraîner un feu sous l'appareil de cuisson à gaz d'extérieur.

- La bouteille d'alimentation au gaz de pétrole liquéfié utilisée doit être :
 - construite et marquée conformément aux spécifications pour les bouteilles de gaz de pétrole liquéfié du U.S. Department of Transportation (DOT) ou de la Norme nationale du Canada, CAN/CSA-B339, Bouteilles, tubes et autres récipients pour le transport des marchandises dangereuses; et de la Commission.
 - fournie avec un dispositif de prévention de remplissage excessif.
 - fournie avec un dispositif de connexion de la bouteille de gaz compatible avec la connexion pour les appareils de cuisson à gaz d'extérieur.
 - Toujours vérifier les connexions pour identifier des fuites à chaque branchement et débranchement de la bouteille d'alimentation en gaz de pétrole liquéfié. Voir la section "Instructions d'installation".
 - Lorsque l'appareil de cuisson à gaz d'extérieur n'est pas utilisé, l'arrivée de gaz doit être fermée au niveau de la bouteille de gaz.
 - Le remisage d'un appareil de cuisson à gaz d'extérieur est autorisé seulement en cas de débranchement et de retrait de la bouteille de gaz de l'appareil.
 - Les bouteilles de gaz doivent être remises à l'extérieur et hors de portée des enfants; elles ne doivent pas être remises dans un bâtiment, un garage ou tout endroit clos.
 - Il est nécessaire d'utiliser le détendeur et le tuyau fournis avec l'appareil de cuisson à gaz d'extérieur. Un détendeur et un tuyau de rechange spécifiques à votre modèle sont disponibles auprès de votre marchand d'appareils de cuisson à gaz d'extérieur.
 - La bouteille de gaz doit comporter un manchon destiné à protéger le robinet de la bouteille.
 - Pour les appareils conçus pour utiliser une connexion CGA791: Placer un capuchon protecteur sur le robinet de la bouteille de gaz lorsqu'elle n'est pas utilisée. Installer uniquement le type de capuchon protecteur sur le conduit d'évacuation fourni avec la bouteille de gaz. D'autres types de capuchons ou obturateurs pourraient provoquer des fuites de propane.
- Le non-respect des instructions suivantes peut entraîner un incendie causant la mort ou des blessures graves.
- Ne pas remiser une bouteille de gaz de pétrole liquéfié de secours sous l'appareil de cuisson à gaz d'extérieur ou à proximité de celui-ci.
 - Ne jamais remplir la bouteille au-delà de 80 % de sa capacité de remplissage.

CONSERVEZ CES INSTRUCTIONS

EXIGENCES D'INSTALLATION

Outillage et pièces

Rassembler les outils et pièces nécessaires avant de commencer l'installation. Lire et suivre les instructions fournies avec les outils indiqués ici.

Outillage nécessaire

- Mètre ruban
- Petit tournevis à lame plate
- Tournevis à lame plate
- Tournevis Phillips n° 2 et n° 3
- Niveau
- Clé ou pince
- Clé à tuyauterie
- Ciseaux ou pince coupante (pour couper les attaches)
- Solution non-corrosive de détection des fuites

Pièces nécessaires

- Robinet d'arrêt de gaz manuel
- Raccord droit mâle fileté, 1/2", pour raccordement au détendeur
- Composé d'étanchéité des tuyauteries résistant à l'action du gaz propane
- Conduit de raccordement flexible (longueur de 4 à 5 pi [1,2 à 1,5 m], acier inoxydable, homologation CSA), ou canalisation de gaz rigide, selon le cas.

Pièces fournies

- Détendeur convertible pour gaz naturel sous pression de 4" (colonne d'eau)
- Ensemble transformateur de 5000 mA/prise à une broche

Exigences d'emplacement

Sélectionner un emplacement où l'exposition au vent est faible et les passages peu nombreux. L'emplacement ne doit pas se trouver dans une zone à forts courants d'air.

Ne pas obstruer le flux de combustion et la ventilation.

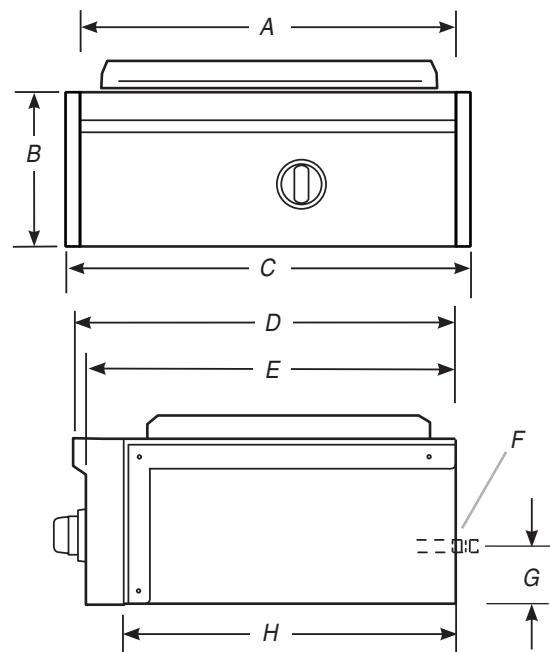
Distance de séparation entre les constructions combustibles et le brûleur à infrarouge encastré :

- Un minimum de 24" (58 cm) doit être maintenu entre, les côtés et l'arrière et toute construction combustible.
- Un dégagement minimum de 24" (58 cm) doit également être maintenu entre le dessous de la surface de cuisson et toute construction combustible.

Allumage

On doit disposer à proximité sur le côté gauche du brûleur à infrarouge d'une prise de courant polarisée d'extérieur reliée à la terre, à 3 alvéoles. Voir la section "Spécifications électriques".

Dimensions du produit



A. 13" (33 cm)

B. 12 3/4" (32,4 cm)

C. 17" (43,2 cm)

D. 26 3/8" (67 cm)

E. 25 3/8" (64,5 cm)

F. Tuyau de distribution

G. 2 1/2" (6,4 cm)

H. 22 3/4" (57,8 cm)

Enceinte du brûleur à infrarouge d'extérieur encastré

L'enceinte du brûleur à infrarouge d'extérieur encastré doit comporter les dimensions minimales suivantes : 11" (28,0 cm) de hauteur x 23" (58,4 cm) de profondeur x 14" (35,6 cm) de largeur.

Dimensions du placard

Respecter les dimensions indiquées pour l'enceinte et les dégagements de séparation; ces dimensions tiennent compte des dégagements requis.

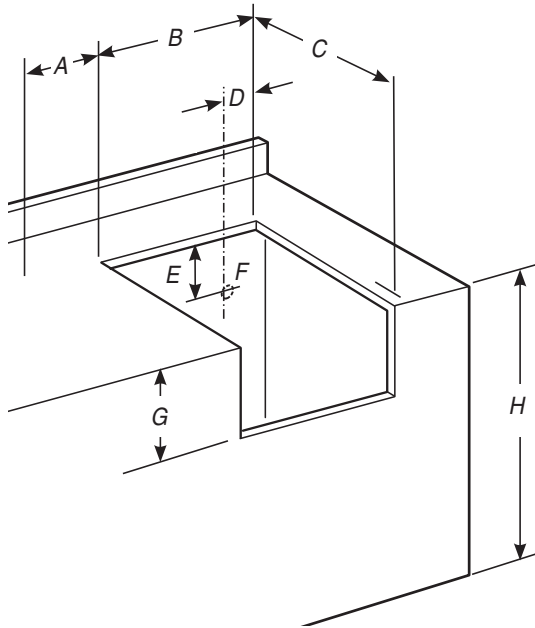
Les surfaces de comptoir ou de support doivent être d'aplomb.

L'installation de ce brûleur à infrarouge doit être conforme aux codes locaux ou, en l'absence de tels codes, au Code national d'alimentation en gaz, ANSI Z223.1/NPFA 54, au Code des installations au gaz naturel ou au propane, CSA B149.1 ou au Code d'entreposage et de manutention du propane, B149.2.

On peut obtenir des exemplaires des normes mentionnées à l'adresse suivante :

CSA International
8501 East Pleasant Valley Rd.
Cleveland, Ohio 44131-5575

REMARQUE : Le brûleur à infrarouge se glisse dans l'ouverture et est soutenu par ses rebords latéraux. Ne pas utiliser de support pour la partie inférieure.



- A. 12" (30,5 cm) - distance minimale entre brûleur à infrarouge et tout accessoire
- B. 13½" (34,3 cm)
- C. 22¼" (57,6 cm)
- D. 2¼" (5,7 cm)

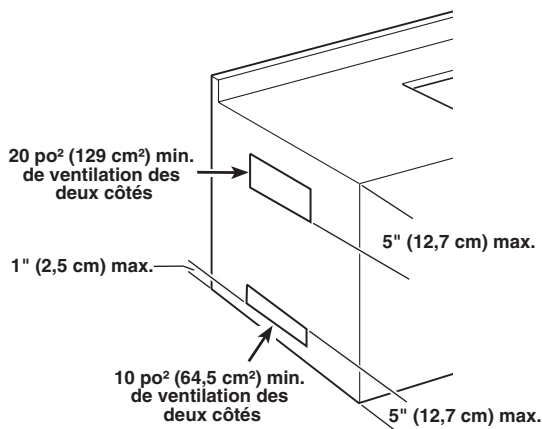
- E. 7⅞" (18,1 cm)
- F. Position de la canalisation de gaz à l'arrière du brûleur
- G. 10⅞" (27,0 cm)
- H. 35½" (90,2 cm)

Évacuation de l'enceinte du brûleur à infrarouge encastré d'extérieur pour le gaz propane :

Une enceinte pour la bouteille de gaz propane doit être aérée par des ouvertures aux niveaux supérieurs et inférieurs.

En cas de conversion pour utilisation du propane, ces ouvertures d'aération doivent se trouver dans l'enceinte :

L'enceinte pour utilisation avec une bouteille de gaz propane pour installation encastrée doit comporter au moins une ouverture d'aération sur le côté extérieur exposé. L'ouverture d'aération doit être située à 5" (12,7 cm) maximum de la partie supérieure et doit être de 20 po² (129 cm²) minimum. Une ouverture d'aération située à 1" (2,5 cm) max. de la partie inférieure de l'enceinte avec partie inférieure de l'ouverture de 10 po² (64,5 cm²) minimum. Aucune ouverture d'aération ne doit être obstruée. Chaque ouverture doit comporter une largeur de ⅛" (0,32 cm) minimum.



Spécifications électriques

⚠ AVERTISSEMENT



Risque de choc électrique

Brancher sur une prise à 3 alvéoles reliée à la terre.

Ne pas enlever la broche de liaison à la terre.

Ne pas utiliser un adaptateur.

Ne pas utiliser un câble de rallonge.

Le non-respect de ces instructions peut causer un décès, un incendie ou un choc électrique.

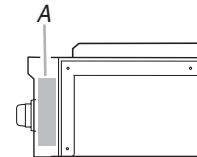
Si les codes le permettent et si on utilise un conducteur distinct de liaison à la terre, il est recommandé qu'un électricien qualifié vérifie la qualité de la liaison à la terre.

Consulter un électricien qualifié en cas de doute sur la qualité de la liaison à la terre du brûleur à infrarouge.

L'appareil doit être alimenté par un circuit de 120 V, CA seulement, 60 Hz, 15 ampères, protégé par fusible.

Il est recommandé de raccorder le brûleur à infrarouge sur un circuit distinct exclusif à cet appareil.

La plaque signalétique est située sur le panneau du côté droit. Voir l'illustration ci-dessous.



A. Plaque signalétique des numéros de modèle et de série

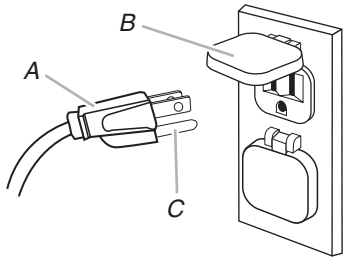
Méthode recommandée de mise à la terre

Le brûleur à infrarouge d'extérieur, une fois installé, doit être correctement relié à la terre conformément aux codes locaux en vigueur ou, en l'absence de tels codes, au National Electrical Code, ANSI/NFPA 70 ou au Code canadien de l'électricité, CSA C22.1.

On peut obtenir des exemplaires des normes mentionnées ci-dessus aux adresses suivantes :

CSA International
8501 East Pleasant Valley Rd.
Cleveland, Ohio 44131-5575

National Fire Protection Association
One Batterymarch Park
Quincy, Massachusetts 02269



A. Prise à 3 broches reliée à la terre
B. Prise murale polarisée d'extérieur à 3 alvéoles
C. Broche de liaison à la terre

Spécifications de l'alimentation en gaz

⚠ AVERTISSEMENT



Risque d'explosion

Utiliser une canalisation neuve d'arrivée de gaz pour utilisation à l'extérieur approuvée par la CSA International.

Bien serrer chaque organe de connexion de la canalisation de gaz.

En cas de connexion au gaz propane, demander à une personne qualifiée de s'assurer que la pression de gaz ne dépasse pas 11 po (28 cm) de la colonne d'eau.

Par personne qualifiée, on comprend :

le personnel autorisé de chauffage,
le personnel autorisé d'une compagnie de gaz, et
le personnel d'entretien autorisé.

Le non-respect de ces instructions peut causer un décès, une explosion ou un incendie.

Observer les dispositions de tous les codes et règlements en vigueur.

IMPORTANT : L'installation doit satisfaire aux critères de tous les codes et règlements locaux. En l'absence de code local, l'installation doit satisfaire aux prescriptions de la plus récente édition du code national en vigueur : National Fuel Gas Code ANSI Z223.1 ou CAN/CGA B149.1.

IMPORTANT : Le brûleur à infrarouge doit être raccordé à une source d'alimentation en gaz régulée.

Le type de gaz utilisable est indiqué sur la plaque signalétique de l'appareil; si celui-ci ne correspond pas au type de gaz disponible, consulter le fournisseur de gaz local.

Conversion pour changement de gaz :

Ne pas entreprendre de convertir le brûleur à infrarouge pour l'utilisation d'un gaz différent de celui indiqué sur la plaque signalétique sans d'abord consulter le fournisseur de gaz. Dans un tel cas on doit utiliser l'ensemble de conversion spécifié.

Détendeur

Le détendeur fourni avec ce brûleur à infrarouge doit être utilisé. Pour un fonctionnement correct, la pression à l'entrée (alimentation) du détendeur doit être comme suit :

Gaz propane :

Pression de service : 11" (27,9 cm) (colonne d'eau)

Pression à l'entrée (alimentation) : 11" à 14" (27,9 cm à 35,5 cm) (colonne d'eau)

Gaz naturel :

Pression de service : 4" (10,2 cm) (colonne d'eau)

Pression de service (alimentation) : 7" à 14" (17,8 cm à 35,5 cm) (colonne d'eau) maximum.

En cas d'incertitude quant à la pression à l'entrée (alimentation), contacter le fournisseur de gaz local.

Puissance thermique des brûleurs en altitude

Les débits thermiques indiqués sur la plaque signalétique correspondent à une altitude d'utilisation inférieure à 2000 pi (609,6 m).

Lorsque l'appareil est utilisé à une altitude supérieure à 2000 pi (609,6 m), on doit réduire le débit thermique indiqué de 4 % pour chaque tranche de 1000 pi (304,8 m) au-dessus du niveau de la mer. Le remplacement du gicleur du brûleur peut être nécessaire. Voir la section "Assistance ou service" pour commander.

Test de pressurisation de la canalisation de gaz

Test de pressurisation à une pression relative supérieure à ½ lb/po² (3,5 kPa) ou 14" (35,5 cm) (colonne d'eau) :

Pour tout test de pressurisation du système à une pression supérieure à ½ lb/po² (3,5 kPa), on doit déconnecter le brûleur à infrarouge et son robinet d'arrêt de la canalisation à pressuriser.

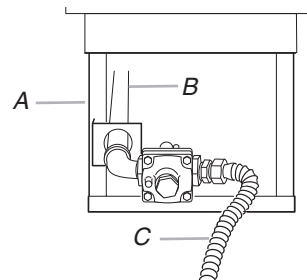
Test de pressurisation à une pression relative inférieure à ½ lb/po² (3,5 kPa) ou 14" (35,5 cm) (colonne d'eau) :

Le brûleur à infrarouge devra être isolé de la canalisation de gaz par la fermeture du robinet d'arrêt manuel individuel durant tout test de pressurisation de la canalisation de gaz à une pression égale ou inférieure à ½ lb/po² (3,5 kPa).

Gaz naturel

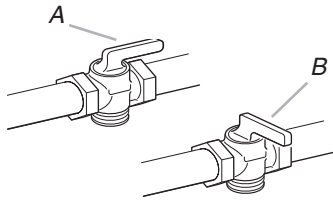
Les brûleur à infrarouge encastrés sont configurés pour l'alimentation au gaz naturel. Leur conception est homologuée par CSA International pour l'alimentation au gaz de pétrole liquéfié (propane ou butane), après conversion appropriée.

Les brûleur à infrarouge encastrés sont configurés pour l'alimentation au gaz naturel; ils comportent un détendeur avec un raccord à filetage femelle à ½" (1,3 cm).



A. Arrière du brûleur
B. Tuyau d'admission de gaz du brûleur à infrarouge (½" [1,3 cm])
C. Conduit de raccordement flexible neuf, pour l'utilisation à l'extérieur (homologation CSA International)

La canalisation d'alimentation doit comporter un robinet d'arrêt approuvé. Le robinet d'arrêt doit être installé au voisinage du brûleur latéral/à infrarouge et être facilement accessible pour les manœuvres d'ouverture/fermeture. Ne pas entraver l'accès au robinet d'arrêt. Le robinet d'arrêt contrôle l'alimentation en gaz de l'appareil.



A. Canalisation de gaz
B. Robinet d'arrêt - position d'ouverture
C. Vers le brûleur à infrarouge

Conversion pour l'alimentation au propane (source de propane locale)

L'opération de conversion doit être exécutée par un technicien qualifié. Le technicien qualifié pour gaz naturel doit installer la canalisation de propane jusqu'à l'emplacement choisi pour l'installation du brûleur à infrarouge, en conformité avec les prescriptions de la plus récente édition du National Fuel Gas Code ANSI Z223.1/NFPA 54 et des codes locaux.

Pour l'alimentation au propane, on doit utiliser l'ensemble de conversion pour propane (pièce n° W10118099). Suivre les instructions fournies avec l'ensemble.

Conversion pour l'alimentation au propane (bouteille de propane de 20 lb)

Pour l'alimentation au propane, on doit utiliser l'ensemble de conversion pour propane (pièce n° W10118099). Suivre les instructions fournies avec l'ensemble. On doit disposer d'une bouteille de propane de 20 lb (9,1 kg) (acquisition séparée).

INSTRUCTIONS D'INSTALLATION

Installation du brûleur à infrarouge d'extérieur

⚠ AVERTISSEMENT

Risque du poids excessif

Utiliser deux ou plus de personnes pour déplacer et installer le brûleur pour roussir encastré.

Le non-respect de cette instruction peut causer une blessure au dos ou d'autre blessure.

- Déballer le brûleur à infrarouge. Enlever tous les matériaux d'emballage et retirer le brûleur à infrarouge du carton.
- Déplacer le brûleur à infrarouge jusqu'à l'emplacement d'installation désiré à l'extérieur.

Raccordement au gaz

Alimentation au gaz naturel

L'installation doit satisfaire aux critères des codes et règlements locaux. En l'absence de code local, l'installation doit être conforme aux critères de la plus récente édition du National Fuel Gas Code ANSI Z223.1, ou de la norme CAN/CGA-B149.1 Code des installations pour gaz naturel ou propane.

1. Placer le brûleur à infrarouge dans son enceinte d'installation à l'extérieur, mais laisser suffisamment d'espace à l'arrière pour le raccordement à la source de gaz et le branchement du câble à une seule broche sur le brûleur à infrarouge.

⚠ AVERTISSEMENT



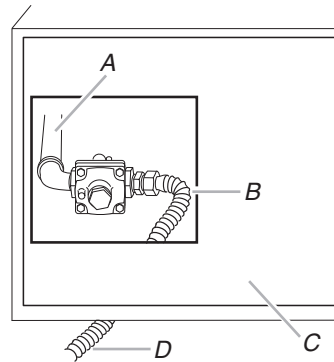
Risque d'explosion

Utiliser une canalisation neuve d'arrivée de gaz pour utilisation à l'extérieur approuvée par la CSA International.

Bien serrer chaque organe de connexion de la canalisation de gaz.

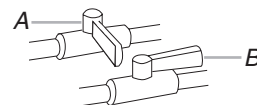
Le non-respect de ces instructions peut causer un décès, une explosion ou un incendie.

2. On doit employer une combinaison de raccords pour raccorder le brûleur à infrarouge à la canalisation de gaz existante. Si le code local le permet, pour le raccordement du brûleur à infrarouge à la canalisation de gaz rigide, utiliser un conduit de raccordement flexible en acier inoxydable, homologué par CSA International pour l'utilisation à l'extérieur. On recommande l'emploi d'une canalisation de diamètre 5/8". Pour l'étanchéité des jointures, utiliser un composé d'étanchéité pour tuyauterie compatible avec le gaz naturel. Ne pas utiliser de ruban adhésif TEFLON®†.
3. À l'aide d'une clé pour serrer, raccorder l'alimentation en gaz au brûleur à infrarouge. Utiliser un composé d'étanchéité des tuyauteries sur tous les filets mâles non évasés. Veiller à ne pas écraser/déformer/endommager le conduit de raccordement flexible lors d'un déplacement du brûleur à infrarouge.



A. Tuyau d'admission de gaz du brûleur à infrarouge de 1/2" (1,3 cm)
B. Conduit de raccordement flexible neuf, pour l'utilisation à l'extérieur (homologation CSA International)
C. Arrière du brûleur à infrarouge
D. Vers canalisation locale de gaz naturel

4. Ouvrir le robinet d'arrêt manuel sur la canalisation de gaz. Le robinet est ouvert lorsque la manette est parallèle à la canalisation.



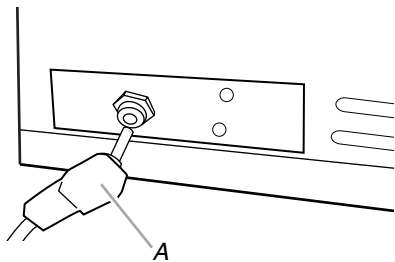
A. Robinet fermé
B. Robinet ouvert

5. Vérifier tous les raccordements en les badigeonnant d'une solution de détection des fuites non corrosive approuvée. L'apparition de bulles indique une fuite. Réparer toute fuite éventuelle.

†TEFLON est une marque déposée de E.I. Du Pont De Nemours et Compagnie.

Branchement du brûleur à infrarouge

1. Ce brûleur à infrarouge d'extérieur encastré est fourni avec un transformateur de 5000 mA pour l'alimentation des lampes. Brancher la prise à une broche dans la prise située sur la partie inférieure gauche du brûleur à infrarouge.



A. Prise à une broche

⚠ AVERTISSEMENT



Risque de choc électrique

Brancher sur une prise à 3 alvéoles reliée à la terre.

Ne pas enlever la broche de liaison à la terre.

Ne pas utiliser un adaptateur.

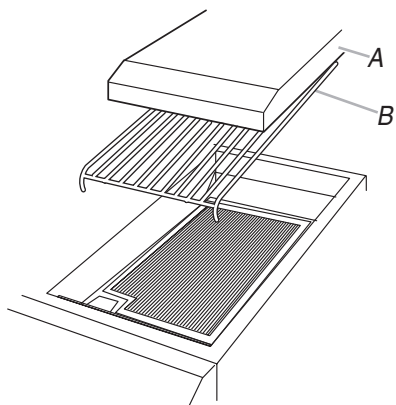
Ne pas utiliser un câble de rallonge.

Le non-respect de ces instructions peut causer un décès, un incendie ou un choc électrique.

2. Brancher sur une prise d'extérieur à 3 alvéoles reliée à la terre.
3. Faire glisser doucement le brûleur à infrarouge jusqu'à sa position finale dans l'enceinte d'encastrement d'extérieur.

Installation de la zone de cuisson

1. Soulever le couvercle et la grille et les mettre de côté.



A. Couvercle
B. Grille

2. Retirer l'emballage autour des brûleurs.
3. Réinstaller la grille.

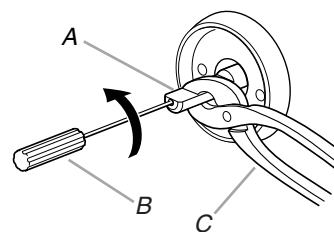
Contrôle et réglage des brûleurs

Les brûleurs ont été testés et réglés à l'usine pour un fonctionnement efficace. Cependant de légères modifications du réglage de l'admission d'air et du débit thermique minimum peuvent être nécessaires du fait de variations de la pression de distribution du gaz disponible et d'autres conditions. Il est recommandé que ces réglages soient effectués par une personne qualifiée.

Pour contrôler et régler les flammes sur les brûleurs, on doit enlever la grille.

Si le brûleur s'éteint lorsqu'il est réglé pour le débit thermique minimum (position LO), on doit effectuer un réglage du débit thermique minimum.

1. Allumer le brûleur et tourner le bouton de commande au réglage le plus faible; puis, retirer le bouton.
2. Immobiliser la tige de réglage du robinet avec une pince et insérer un petit tournevis à lame plate dans la tige creuse.
3. Observer les flammes sur le brûleur et faire tourner doucement le tournevis dans le sens antihoraire.
4. Régler pour obtenir des flammes stables de taille minimum.



A. Tige de réglage du robinet
B. Tournevis à lame plate
C. Pince

5. Réinstaller le bouton sur le robinet et éteindre le brûleur.
6. Réinstaller la grille.

UTILISATION DU BRÛLEUR À INFRAROUGE D'EXTÉRIEUR

Allumage du brûleur à infrarouge

⚠ AVERTISSEMENT

Risque d'empoisonnement alimentaire

Ne pas laisser des aliments reposer plus d'une heure avant ou après la cuisson.

Le non-respect de cette instruction peut causer un empoisonnement alimentaire ou une maladie.

1. Retirer le capot de protection du brûleur à infrarouge d'extérieur. Ne jamais allumer un brûleur lorsque le capot est en place.
2. Vérifier que le bouton de commande est à la position de fermeture OFF.
3. Rétablir l'alimentation au gaz :

Gaz naturel ou gaz propane - Source locale

- Alimentation à partir d'une source de gaz autre qu'une bouteille de propane de 20 lb :
Ouvrir le robinet d'arrêt de la canalisation de gaz.

Bouteille de propane de 20 lb (après conversion)

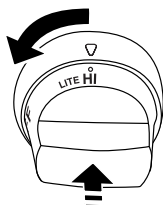
Voir la section "Spécifications de l'alimentation en gaz".

- Utilisation d'une bouteille de propane de 20 lb :

Ouvrir lentement le robinet de bouteille.

REMARQUE : En cas d'activation d'un dispositif de limitation du débit, le brûleur de gril peut ne pas s'allumer; s'il peut s'allumer, la taille des flammes sera réduite et le débit thermique sera insuffisant. Fermer le robinet de la bouteille et tous les robinets d'alimentation du gril et attendre 30 secondes. Après la fermeture de la bouteille, ouvrir très lentement le robinet de la bouteille et attendre 5 secondes avant de tenter l'allumage.

4. Ne pas se pencher au-dessus du brûleur à infrarouge. Enfoncer et tourner le bouton de commande à la position LITE/HI (allumage/élevée); le maintenir enfoncé.



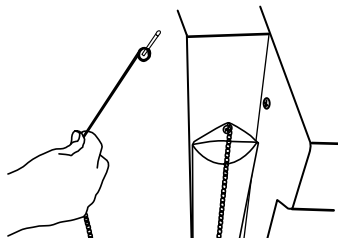
5. On doit percevoir le crépitement généré par l'allumeur. Lorsque le brûleur est allumé, lâcher le bouton; tourner le bouton de commande au réglage désiré.

IMPORTANT : Si un brûleur ne s'allume pas immédiatement, ramener le bouton de commande à la position d'arrêt OFF et attendre 5 minutes avant une nouvelle tentative.

- Préchauffer le brûleur à infrarouge à température élevée pendant 5 minutes. Le préchauffage fournit la température élevée nécessaire pour brunir et saisir les jus.
- Réduire le temps de préchauffage lorsqu'on grille des morceaux de viande ou de volaille à forte teneur en graisse, tels que les cuisses de poulet. Cela aidera à éviter les flammes intempestives.

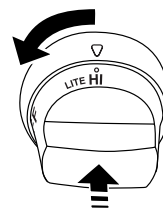
Allumage manuel des brûleurs à infrarouge

1. Retirer le capot de protection du brûleur à infrarouge d'extérieur.
2. Prendre le porte-allumette manuel (voir l'illustration ci-dessous) et fixer une allumette dans la boucle.
3. Frotter l'allumette pour l'allumer.
4. Guider l'allumette allumée entre la grille et le capot du brûleur.



5. Ne pas se pencher au-dessus du brûleur à infrarouge. Enfoncer et faire tourner le bouton du brûleur jusqu'à la position LITE/HI. Le brûleur s'allume immédiatement.

Lorsque le brûleur est allumé, tourner le bouton jusqu'au réglage désiré.



6. Retirer l'allumette; réinstaller le porte-allumette à l'intérieur de son rangement.

IMPORTANT :

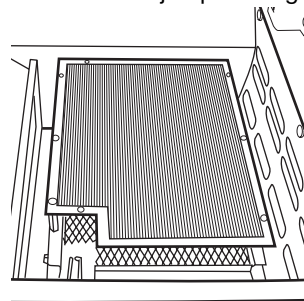
Si un brûleur ne s'allume pas immédiatement, ramener le bouton de commande à la position d'arrêt OFF et attendre 5 minutes avant une nouvelle tentative.

Si un brûleur ne s'allume pas après une tentative d'allumage manuel, contacter le centre pour l'eXpérience de la clientèle KitchenAid. Voir la section "Assistance ou service".

Utilisation du brûleur à infrarouge

Le brûleur à infrarouge produit une chaleur intense qui saisit rapidement une pièce de viande. Ceci permet une meilleure rétention de la saveur et des jus, tandis que la surface extérieure de la pièce de viande absorbe des composés présents dans la fumée et des arômes générés par la vaporisation des gouttes de graisse qui tombent sur le brûleur. On obtient ainsi une pièce de viande croustillante à l'extérieur, mais tendre et juteuse à l'intérieur.

- Préchauffer le brûleur à infrarouge pendant 5 minutes.
- Vérifier que chaque pièce de viande est complètement décongelée; enlever tout excès de graisse avant de procéder à la cuisson au brûleur à infrarouge.
- Laisser le brûleur fonctionner au débit thermique maximum (position HI) et placer les aliments sur la grille du brûleur à infrarouge.
- Utiliser la chaleur du brûleur à infrarouge pour saisir la viande (exposition de chaque face pendant 1 à 2 minutes) puis transférer la pièce de viande et la grille de cuisson principale pour la finition de la cuisson jusqu'au degré désiré.



REMARQUE : L'illustration présente l'appareil sans la grille. La grille doit être en place lors de l'utilisation du brûleur à infrarouge.

ENTRETIEN DU BRÛLEUR À INFRAROUGE D'EXTÉRIEUR

Nettoyage général

IMPORTANT : Avant le nettoyage, s'assurer que toutes les commandes sont éteintes et que le brûleur à infrarouge a refroidi. Toujours suivre les instructions figurant sur les étiquettes des produits de nettoyage.

Pour le nettoyage de routine, laver à l'eau savonneuse à l'aide d'un chiffon doux ou d'une éponge. Rincer à l'eau propre et sécher immédiatement à l'aide d'un chiffon doux, sans charpie, afin d'éviter les taches et rayures.

Ne pas utiliser de laine d'acier pour nettoyer le brûleur à infrarouge, car ceci égratignera la surface.

Utiliser le couvercle de protection en acier inoxydable du brûleur à infrarouge afin d'éviter que le fini ne subisse de dommages liés aux intempéries.

ACIER INOXYDABLE

IMPORTANT : Ne pas utiliser de tampons de récurage savonneux, de nettoyeurs abrasifs, de crème à polir pour table de cuisson, de laine d'acier, de chiffons de lavage rugueux ou d'essuie-tout.

Les produits de nettoyage ne doivent pas contenir de chlore. Des dommages peuvent survenir.

Les renversements d'aliments doivent être nettoyés dès que le brûleur à infrarouge a entièrement refroidi. Les renversements peuvent causer une décoloration permanente.

Méthode de nettoyage :

- Frotter dans la direction du grain pour éviter d'égratigner ou d'endommager la surface.
- Nettoyant et poli pour acier inoxydable KitchenAid - Pièce n° 4396920 (non incluse) ou chiffons pour acier inoxydable KitchenAid - Pièce n° 8212510 (non incluse) : Voir la section "Assistance ou service" pour commander.
- Détergent liquide ou nettoyant tout-usage
- Rincer à l'eau propre et sécher avec un chiffon doux sans charpie.
- Vinaigre pour éliminer les taches d'eau dure.
- Nettoyant à vitre pour éliminer les traces de doigts.

EXTÉRIEUR

La qualité de ce matériau résiste à la plupart des taches et piqûres de corrosion dès lors que la surface est entretenue et maintenue propre.

- Appliquer le poli pour acier inoxydable sur toutes les zones non dédiées à la cuisson avant la première utilisation. Appliquer de nouveau après chaque nettoyage pour éviter les dommages permanents à la surface.
- Le nettoyage doit toujours être suivi d'un rinçage à l'eau tiède propre.
- Essuyer complètement la surface à l'aide d'un chiffon doux.
- Pour les taches tenaces et la graisse incrustée, utiliser le produit de dégraissage pour cuisine et barbecue, pièce n° 31617, un produit de dégraissage commercial conçu pour l'acier inoxydable.
Voir la section "Assistance ou service" pour commander.

INTÉRIEUR

On doit s'attendre à une décoloration de l'acier inoxydable sur ces pièces, du fait de la chaleur intense provenant des brûleurs. Toujours frotter dans la direction du grain. Le nettoyage doit toujours être suivi d'un rinçage à l'eau tiède propre.

Méthode de nettoyage :

- Détergent liquide ou nettoyant tout-usage.
- Rincer à l'eau propre et sécher complètement avec un chiffon doux sans charpie.

- Une éponge à gratter robuste peut être utilisée avec des produits détergents doux.
- Pour les petites zones, difficiles à nettoyer, utiliser le produit dégraissant pour grille de barbecue et de cuisine, pièce n° 31617, un produit conçu pour l'acier inoxydable. Voir la section "Assistance ou service" pour commander.

GRILLE DE BRÛLEUR À INFRAROUGE

Méthode de nettoyage :

- Nettoyer à l'aide d'une brosse en laiton.
- Laver la grille à l'aide d'un détergent doux, d'eau tiède et d'un produit de dégraissage.
- Rincer à l'eau propre et sécher avec un chiffon doux sans charpie.
- Nettoyant et poli pour acier inoxydable KitchenAid® - Pièce n° 4396920 (non incluse) ou chiffons pour acier inoxydable KitchenAid - Pièce n° 8212510 (non incluse) : Voir la section "Assistance ou service" pour commander.

BOUTONS ET REBORD DES BOUTONS

IMPORTANT : Ne pas utiliser de laine d'acier, de produits de nettoyage abrasifs ou de nettoyant pour four.

Ne pas immerger les boutons de commande.

Méthode de nettoyage :

- Détergent doux, chiffon doux et eau tiède.
- Rincer et sécher.

ILLUSTRATIONS DU TABLEAU DE COMMANDE

IMPORTANT : Ne pas utiliser de laine d'acier, de produits de nettoyage abrasifs ou de nettoyant pour four.

Ne pas vaporiser le nettoyant directement sur le tableau.

Méthode de nettoyage :

- Nettoyer doucement autour des étiquettes des brûleurs; le frottement pourrait effacer les indications.
- Détergent doux, chiffon doux et eau tiède.
- Rincer et sécher.

BRÛLEURS À INFRAROUGE

Méthode de nettoyage :

1. Allumer le brûleur à infrarouge. Voir "Allumage du brûleur à infrarouge" dans la section "Utilisation du gril d'extérieur".
2. Tourner le bouton à HI (élevée).
3. Laisser le brûleur à la puissance élevée pendant environ 30 minutes.
4. Éteindre le brûleur et le laisser refroidir complètement.
5. Ôter la grille du gril et éliminer à l'aide d'une brosse les particules de cendres accumulées sur la plaque du brûleur à infrarouge.
6. Réinstaller la grille.

PLATEAU D'ÉGOUTTEMENT

IMPORTANT : Le plateau d'égouttement ne doit être retiré que lorsque le brûleur à infrarouge a refroidi complètement.

Le plateau d'égouttement recueille la graisse et les particules alimentaires qui tombent à travers le brûleur à infrarouge. Le nettoyer souvent pour empêcher l'accumulation de graisse.

Méthode de nettoyage :

- Ôter le plateau et le poser sur une surface plane.
 - Retirer l'excès de graisse avec de l'essuie-tout.
 - Détergent doux et eau tiède. Rincer et sécher complètement.
 - Réinstaller le plateau.
-

DÉPANNAGE

Essayer les solutions suggérées ici d'abord afin d'éviter le coût d'une visite de service non nécessaire.

Rien ne fonctionne

- **Le robinet principal d'arrêt ou de réglage du gaz est-il à la position fermée?**
Voir les Instructions d'installation.
 - **Le brûleur à infrarouge est-il bien raccordé à la canalisation de gaz?**
Contacter un technicien de réparation qualifié ou voir les Instructions d'installation.
-

ASSISTANCE OU SERVICE

Avant de faire un appel pour assistance ou service, consulter la section "Dépannage". Ce guide peut vous faire économiser le coût d'une visite de service. Si vous avez encore besoin d'aide, suivre les instructions ci-dessous.

Lors d'un appel, veuillez connaître la date d'achat, le numéro de modèle et le numéro de série au complet de l'appareil. Ces renseignements nous aideront à mieux répondre à votre demande.

Si vous avez besoin de pièces de rechange

Si vous avez besoin de commander des pièces de rechange, nous vous recommandons d'employer uniquement des pièces spécifiées par l'usine. Les pièces spécifiées par l'usine fonctionneront bien parce qu'elles sont fabriquées avec la même précision que celle utilisée dans la fabrication de chaque nouvel appareil KITCHENAID®.

Pour localiser des pièces spécifiées par l'usine dans votre région, nous appeler ou contacter le centre de service désigné KitchenAid le plus proche.

Accessoires

Produit dégraissant pour gril de barbecue et de cuisine

Commander la pièce n° 31617

Nettoyant et poli pour acier inoxydable KitchenAid®

Commander la pièce n° 4396920

Chiffons pour acier inoxydable KitchenAid®

Commander la pièce n° 8212510

Veuillez appeler sans frais le Centre pour l'eXpérience de la clientèle de KitchenAid Canada au : **1-800-807-6777**.

Nos consultants vous renseigneront sur les sujets suivants :

- Caractéristiques et spécifications sur toute notre gamme d'appareils électroménagers.
- Consignes d'utilisation et d'entretien.
- Ventes d'accessoires et de pièces de rechange.
- Références aux marchands locaux, aux distributeurs de pièces de rechange et aux compagnies de service. Les techniciens de service désignés par KitchenAid Canada sont formés pour remplir la garantie des produits et fournir un service après la garantie, partout au Canada.

Pour plus d'assistance

Si vous avez besoin de plus d'assistance, vous pouvez soumettre par écrit toute question ou préoccupation à KitchenAid Canada à l'adresse suivante :

Centre pour l'eXpérience de la clientèle
KitchenAid Canada
1901 Minnesota Court
Mississauga, Ontario L5N 3A7

Veuillez inclure dans votre correspondance un numéro de téléphone où l'on peut vous joindre dans la journée.

GARANTIE DES PRODUITS POUR USAGE EXTÉRIEUR KITCHENAID®

GARANTIE LIMITÉE

Pendant un an à compter de la date d'achat, lorsque ce produit pour usage extérieur est utilisé et entretenu conformément aux instructions jointes à ou fournies avec le produit, la marque KitchenAid de Whirlpool Corporation ou Whirlpool Canada LP (ci-après désignées "KitchenAid") paiera pour les pièces spécifiées par l'usine et la main-d'œuvre pour corriger les vices de matériaux ou de fabrication. Le service doit être fourni par une compagnie de service désignée par KitchenAid. Cette garantie limitée est valide uniquement aux États-Unis ou au Canada et s'applique exclusivement lorsque l'appareil pour usage extérieur est utilisé dans le pays où il a été acheté. À l'extérieur du Canada et des 50 États des États-Unis, cette garantie limitée ne s'applique pas. Une preuve de la date d'achat original est exigée pour obtenir un service dans le cadre de la présente garantie limitée.

GARANTIE LIMITÉE DE LA DEUXIÈME À LA CINQUIÈME ANNÉE INCLUSIVEMENT SUR LES PIÈCES POUR LES GRILS UNIQUEMENT

De la deuxième à la cinquième année inclusivement à compter de la date d'achat, lorsque ce gril est utilisé et entretenu conformément aux instructions jointes à ou fournies avec le produit, KitchenAid paiera pour les pièces spécifiées par l'usine pour corriger les vices de matériaux ou de fabrication.

GARANTIE LIMITÉE À VIE SUR LES COMPOSANTS EN ACIER INOXYDABLE POUR LES GRILS UNIQUEMENT

Pour la durée de vie du produit, lorsque ce gril est utilisé et entretenu conformément aux instructions jointes à ou fournies avec le produit, KitchenAid remplacera la structure en acier inoxydable en cas de vices de matériaux ou de fabrication. Pour la durée de vie du produit, lorsque ce gril est utilisé et entretenu conformément aux instructions jointes à ou fournies avec le produit, KitchenAid paiera pour les pièces de rechange des brûleurs du gril en acier inoxydable.

ARTICLES EXCLUS DE LA GARANTIE

La présente garantie limitée ne couvre pas :

1. Les visites de service pour rectifier l'installation du produit pour usage extérieur, montrer à l'utilisateur comment utiliser l'appareil pour usage extérieur, remplacer ou réparer des fusibles ou rectifier le câblage ou la plomberie du domicile.
2. Les défauts apparents, notamment les éraflures, les bosses, fissures ou tout autre dommage au fini du produit pour usage extérieur, à moins que ces dommages soient dus à des vices de matériaux ou de fabrication et soient signalés à KitchenAid dans les 30 jours suivant la date d'achat.
3. Les réparations lorsque le produit pour usage extérieur est utilisé à des fins autres que l'usage unifamilial normal ou lorsque les instructions d'installation et/ou les instructions de l'opérateur ou de l'utilisateur fournies ne sont pas respectées.
4. Les dommages imputables à : accident, modification, usage impropre ou abusif, incendie, inondation, actes de Dieu, installation fautive ou installation non conforme aux codes d'électricité ou de plomberie, ou l'utilisation de pièces consommables ou de produits nettoyants non approuvés par KitchenAid.
5. L'ensemble de conversion ou l'appel de service pour la conversion de produit pour usage extérieur de gaz naturel à propane ou de propane à gaz naturel.
6. Les coûts associés au transport du produit pour usage extérieur du domicile pour réparation. Ce produit pour usage extérieur est conçu pour être réparé à domicile et seul le service à domicile est couvert par la présente garantie.
7. Les réparations aux pièces ou systèmes résultant d'une modification non autorisée faite à l'appareil pour usage extérieur.
8. Les frais de transport pour le service d'un produit si votre appareil pour usage extérieur est situé dans une région éloignée où un service d'entretien KitchenAid autorisé n'est pas disponible.
9. La dépose et la réinstallation de votre appareil pour usage extérieur si celui-ci est installé dans un endroit inaccessible ou n'est pas installé conformément aux instructions d'installation fournies.
10. Les dommages résultant de l'usure normale du produit pour usage extérieur.
11. Les appareils pour usage extérieur dont les numéros de série et de modèle originaux ont été enlevés, modifiés ou qui ne peuvent pas être facilement identifiés. La présente garantie est nulle si le numéro de série d'usine a été modifié ou enlevé du produit pour usage extérieur.

Le coût d'une réparation ou des pièces de rechange dans le cadre de ces circonstances exclues est à la charge du client.

CLAUSE D'EXONÉRATION DE RESPONSABILITÉ AU TITRE DES GARANTIES IMPLICITES; LIMITATION DES RECOURS

LE SEUL ET EXCLUSIF RECOURS DU CLIENT DANS LE CADRE DE LA PRÉSENTE GARANTIE LIMITÉE CONSISTE EN LA RÉPARATION PRÉVUE CI-DESSUS. LES GARANTIES IMPLICITES, Y COMPRIS LES GARANTIES APPLICABLES DE QUALITÉ MARCHANDE ET D'APTITUDE À UN USAGE PARTICULIER, SONT LIMITÉES À UN AN OU À LA PLUS COURTE PÉRIODE AUTORISÉE PAR LA LOI. KITCHENAID N'ASSUME AUCUNE RESPONSABILITÉ POUR LES DOMMAGES FORTUITS OU INDIRECTS. CERTAINES JURIDICTIONS NE PERMETTENT PAS L'EXCLUSION OU LA LIMITATION DES DOMMAGES FORTUITS OU INDIRECTS, OU LES LIMITATIONS DE LA DURÉE DES GARANTIES IMPLICITES DE QUALITÉ MARCHANDE OU D'APTITUDE À UN USAGE PARTICULIER, DE SORTE QUE CES EXCLUSIONS OU LIMITATIONS PEUVENT NE PAS S'APPLIQUER DANS VOTRE CAS. CETTE GARANTIE VOUS CONFÈRE DES DROITS JURIDIQUES SPÉCIFIQUES ET VOUS POUVEZ ÉGALEMENT JOUIR D'AUTRES DROITS QUI PEUVENT VARIER D'UNE JURIDICTION À UNE AUTRE.

Si vous résidez à l'extérieur du Canada et des 50 États des États-Unis, contactez votre marchand KitchenAid autorisé pour déterminer si une autre garantie s'applique.

Si vous avez besoin de service, voir d'abord la section "Dépannage" du Guide d'utilisation et d'entretien. Après avoir vérifié la section "Dépannage", de l'aide supplémentaire peut être trouvée en vérifiant la section "Assistance ou service" ou en appelant KitchenAid. Aux É.-U., composer le **1-800-422-1230**. Au Canada, composer le **1-800-807-6777**. 4/08

Conservez ce manuel et votre reçu de vente ensemble pour référence ultérieure. Pour le service sous garantie, vous devez présenter un document prouvant la date d'achat ou d'installation.

Inscrivez les renseignements suivants au sujet de votre gros appareil ménager pour mieux vous aider à obtenir assistance ou service en cas de besoin. Vous devrez connaître le numéro de modèle et le numéro de série au complet. Vous trouverez ces renseignements sur la plaque signalétique située sur le produit.

Nom du marchand _____

Adresse _____

Numéro de téléphone _____

Numéro de modèle _____

Numéro de série _____

Date d'achat _____

W10117506B

© 2008. All rights reserved.
Tous droits réservés.

® Registered Trademark/TM Trademark of KitchenAid, U.S.A., KitchenAid Canada licensee in Canada
® Marque déposée/TM Marque de commerce de KitchenAid, U.S.A., Emploi sous licence par KitchenAid Canada au Canada

4/08
Printed in China
Imprimé en Chine

Free Manuals Download Website

<http://myh66.com>

<http://usermanuals.us>

<http://www.somanuals.com>

<http://www.4manuals.cc>

<http://www.manual-lib.com>

<http://www.404manual.com>

<http://www.luxmanual.com>

<http://aubethermostatmanual.com>

Golf course search by state

<http://golfingnear.com>

Email search by domain

<http://emailbydomain.com>

Auto manuals search

<http://auto.somanuals.com>

TV manuals search

<http://tv.somanuals.com>