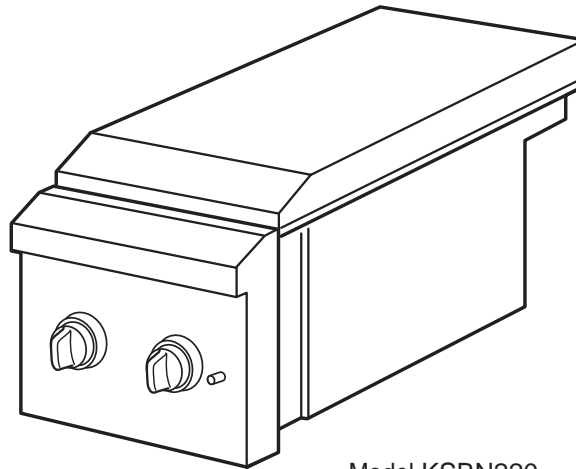


Installation Instructions and Use and Care Guide Outdoor Built-In Side Burner



Model KSBN220



IMPORTANT: Read and save these instructions.

IMPORTANT:

Installer: Leave Installation Instructions with the consumer.

Homeowner: Keep Installation Instructions for future reference.
Save Installation Instructions for local electrical inspector's use.

Write the model and serial numbers in space provided below before installing or using outdoor Side Burner. The numbers are stamped on the identification label, located on bottom flange of the control panel. they are also located on the model/serial number plate, located on the side panel.

Model # _____

Serial # _____

Quick Reference

Table of Contents:

Pages

- 2** - **3** Before you start
- 4** Product dimensions
- 4** Cutout dimensions
- 5** Gas supply requirements
- 6** Installation steps
- 6** Checking/adjusting burners
- 7** - **8** Use and Care Information
- 9** Warranty
- 10** - **11** Requesting Assistance or Service

KitchenAid®
FOR THE WAY IT'S MADE®

Part No. 8190046

Before you start...

Your safety and the safety of others are very important.

We have provided many important safety messages in this manual and on your appliance. Always read and obey all safety messages.



This is the safety alert symbol.

This symbol alerts you to potential hazards that can kill or hurt you and others.

All safety messages will follow the safety alert symbol and either the word "DANGER" or "WARNING".

These words mean:

DANGER

You can be killed or seriously injured if you don't immediately follow instructions.

WARNING

You can be killed or seriously injured if you don't follow instructions.

All safety messages will tell you what the potential hazard is, tell you how to reduce the chance of injury, and tell you what can happen if the instructions are not followed.

FOR YOUR SAFETY

IF YOU SMELL GAS:

- Shut off gas to the appliance.
- Extinguish any open flame.
- Open lid.
- If odor continues, immediately call your gas supplier or your fire department.

FOR YOUR SAFETY

- Do not store or use gasoline or other flammable vapors and liquids in the vicinity of this or any other appliances.
- An LP cylinder not connected for use shall not be stored in the vicinity of this or any other appliance.

IMPORTANT SAFETY INSTRUCTIONS

1. Do not install outdoor cooking appliance in or on a recreational vehicle, portable trailer, boat or in any other moving installation.
2. Always maintain minimum clearances from combustible construction, see "Location requirements" section.
3. The outdoor cooking gas appliance shall not be located under overhead combustible construction.
4. This outdoor cooking gas appliance shall be used only outdoors and shall not be used in a building, garage, or any other enclosed area.
5. Keep any electrical supply cord and fuel supply hose away from any heated surfaces.
6. Keep outdoor cooking and appliance area clear and free from combustible materials, gasoline and other flammable vapors and liquids.
7. Do not obstruct the flow of combustion and ventilation air. Keep the ventilation openings of the cylinder enclosure free and clear from debris.
8. Inspect the gas cylinder supply hose before each use of the side burner. If the hose shows excessive abrasion or wear, or is cut, it **MUST** be replaced before using the side burner. Contact your dealer and use only replacement hoses specified for use with the side burner.
9. Visually check the burner flames. They should be blue. Slight yellow tipping is normal for L.P. gas.
10. Check and clean burner/venturi tube for insects and insect nest. A clogged tube can lead to fire under the side burner.
11. The L.P. gas supply cylinder to be used must be:
 - constructed and marked in accordance with the Specification for L.P. Gas Cylinders of the U.S. Department of Transportation (DOT) or the National Standard of Canada, CAN/CSA-B339, Cylinders, Spheres, and Tubes for Transportation of Dangerous Goods; and Commission.
 - provided with a listed overfilling prevention device.
 - provided with a cylinder connection device compatible with the connection for outdoor side burner appliances.
12. Always check connections for leaks each time you connect and disconnect the L.P. gas supply cylinder. See "Installation Instructions" section.
13. When the outdoor cooking gas appliance is not in use, the gas must be turned off at the supply cylinder.
14. Storage of an outdoor gas side burner appliance indoors is permissible only if the cylinder is disconnected and removed from the outdoor gas side burner.
15. Cylinders must be stored outdoors and out of the reach of children and must not be stored in a building, garage, or any other enclosed area.
16. The pressure regulator and hose assembly supplied with the outdoor gas side burner must be used. Replacement pressure regulator and hose assembly part number listed in the "Installation Instructions" section.
17. The cylinder supply system must be arranged for proper vapor withdrawal.
18. Gas cylinder must include a collar to protect the cylinder valve.

WARNING: If the information in this manual is not followed exactly, a fire or explosion may result causing property damage, personal injury or death.

If the following information is not followed exactly, a fire causing death or serious injury may occur.

- Do not store a spare LP-gas cylinder under or near this side burner.
- Never fill the cylinder beyond 80 percent full.

**IMPORTANT:
This side burner is
manufactured for outdoor
use only.**

For side burners that are to be used at elevations above 2000 feet, orifice conversion is required. See “Gas supply requirements” section.

It is the responsibility of the installer to comply with the minimum installation clearances specified on the model/serial rating plate. The model/serial rating plate can be found on the side panel.

Copies of the standards listed may be obtained from:

**National Fire Protection Association
One Batterymarch Park
Quincy, Massachusetts 02269**

**CSA International
8501 East Pleasant Valley Rd.
Cleveland, Ohio 44131-5575**

The California Safe Drinking Water and Toxic Enforcement Act requires the Governor of California to publish a list of substances known to the State of California to cause cancer, birth defects, or other reproductive harm, and requires businesses to warn of potential exposure to such substances.

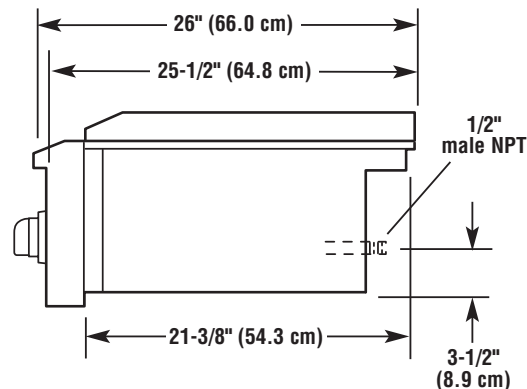
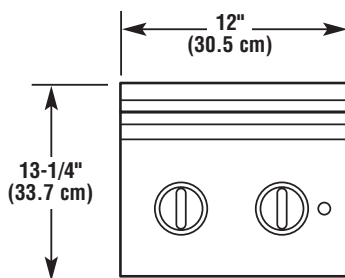
WARNING: This product contains a chemical known to the State of California to cause cancer, birth defects, or other reproductive harm.

This appliance can cause low-level exposure to some of the substances listed, including benzene, crystalline silica, carbon monoxide, toluene, and soot.

In the State of Massachusetts, the following installation instructions apply:

- Installations and repairs must be performed by a qualified or licensed contractor, plumber, or gasfitter qualified or licensed by the State of Massachusetts.
- If using a ball valve, it shall be a T-handle type.
- A flexible gas connector, when used, must not exceed 3 feet.

Product Dimensions



Enclosure Cutout Dimensions

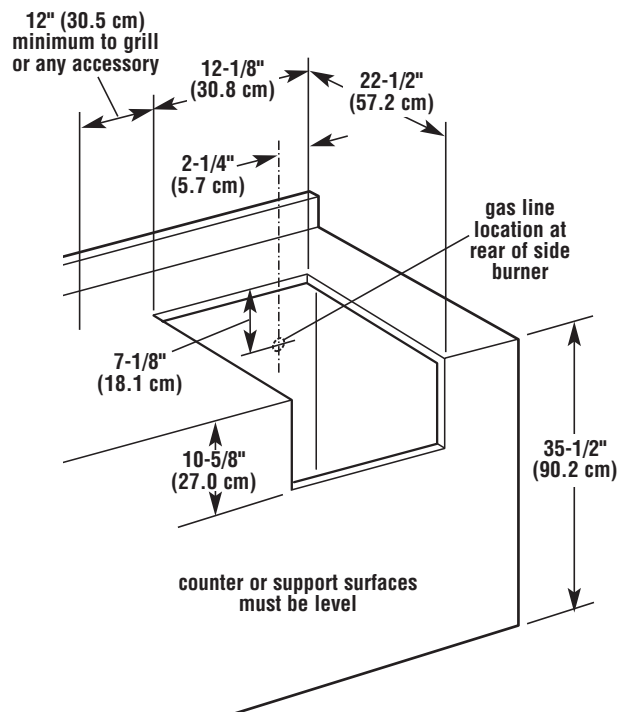
Enclosure and clearance dimensions that are shown must be used. Given dimensions provide required clearances.

The installation of this Side Burner must conform with the current standards CSA-Z21.58a-1998*, or with local codes.

The side burner drops into the enclosure opening and is supported by its side flanges. No bottom support is needed.

Copies of the standards listed may be obtained from:

* CSA International
8501 East Pleasant Valley Rd.
Cleveland, Ohio 44131-5575



Tools and parts

Tools needed:

- level
- small flat-blade screwdriver
- flat-blade screwdriver
- Phillips screwdriver
- tape measure or ruler
- slip-joint pliers
- pipe wrench

Parts needed:

- gas line shutoff valve
- 1/2" male pipe thread nipple for connection to pressure regulator
- L.P. gas-resistant pipe-joint compound
- AGA or CSA design-certified outdoor flexible stainless steel appliance connector [4-5 ft. (1.2-1.5 m)] or rigid gas supply line as needed
- non-corrosive leak detection solution

Parts supplied

- convertible regulator set for 4" W.C. natural gas

Location requirements

Select a location that provides minimum exposure to wind and traffic paths. The location should be away from strong draft areas.

Do not obstruct flow of combustion and ventilation air.

Gas supply requirements

Observe all governing codes and ordinances.

Important: Side burner must be connected to a regulated gas supply.

- Input ratings shown on the model/serial rating plate are for elevations up to 2,000 feet (610 m). For elevations above 2,000 feet (610 m), ratings are reduced at a rate of 4% for each 1,000 feet (305 m) above sea level. Orifice conversion is required. Contact KitchenAid Assistance Center.

- Refer to the model/serial rating plate for information on the type of gas that can be used. If this information does not agree with the type of gas available, check with your local gas supplier.

No attempt shall be made to convert the side burner from the gas specified on the model/serial rating plate for use with a different gas type without consulting the serving gas supplier. The conversion kits specified must be used.

Line pressure testing:

Testing above 1/2 psi (3.5 kPa) or 14 inches (35.5 cm) W.C. (gauge)

The side burner and its individual shutoff valve must be disconnected from the gas supply piping system during any pressure testing of that system at test pressures greater than 1/2 psig (3.5 kPa).

Testing below 1/2 psi (3.5 kPa) or 14 inches (35.5 cm) W.C. (gauge) or lower

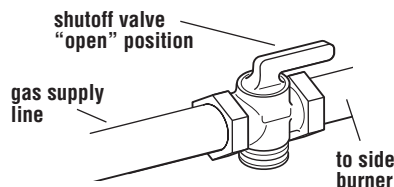
The side burner must be isolated from the gas supply piping system by closing its individual manual shutoff valve during any pressure testing of the gas supply piping system at test pressures equal to or less than 1/2 psig (3.5 kPa).

Built-in Side Burners –

Natural Gas:

Side burner are equipped for use with Natural gas. They are design-certified by CSA International for L.P. (propane or butane) gases with appropriate conversion.

Side burners are set for natural gas use and have a pressure regulator with 1/2" female pipe threads.



The supply line shall be equipped with an approved shutoff valve. This valve should be located in the same area as the side burner and should be in a location that allows ease of opening and closing. Do not block access to the shutoff valve. The valve is for turning on or shutting off gas to the appliance.

L.P. Gas Conversion

L.P. gas conversion from a local L.P. gas supply:

Conversion must be made by a qualified gas technician. The qualified natural gas technician shall provide the L.P. gas supply to the selected side burner location in accordance with the National Fuel Gas Code NFPA 54 and local codes. To convert to L.P. gas, the L.P. Gas Conversion Kit No. 4396312 must be used. Follow Instructions included with kit.

L.P. gas conversion using a L.P. fuel tank:

To convert to L.P. gas, the L.P. Gas Conversion Kit No. 4396312 must be used. Follow Instructions included with kit.

A L.P. gas cylinder, not larger than 20 pounds, must be purchased separately.

NATURAL GAS:

**Set pressure 4 inches (10.2 cm) W.C.
Supply pressure 7-14 inches
(17.8 cm to 35.5 cm) W.C. maximum.**

L.P. GAS:

**Operating pressure:
11 inches (28 cm) W.C.**

**Supply pressure: 11 to 14 inches
(28 to 35.5 cm) W.C.**

Side Burner Installation

⚠ WARNING

Excessive Weight Hazard

Use two or more people to move and install side burner.

Failure to do so can result in back or other injury.

Natural Gas

This installation must conform with local codes and ordinances**. In the absence of local codes, installations must conform with either the National Fuel Gas Code ANSI Z223.1, or CAN/CGA-B149.1* Natural Gas and Propane installation code.

1. Place side burner into outdoor enclosure, but leave enough room in back to connect to gas supply.

⚠ WARNING



Explosion Hazard

Use a new AGA or CSA approved "outdoor" gas supply line.

Securely tighten all gas connections.

If connected to LP, have a qualified person make sure gas pressure does not exceed 11" (28 cm) water column.

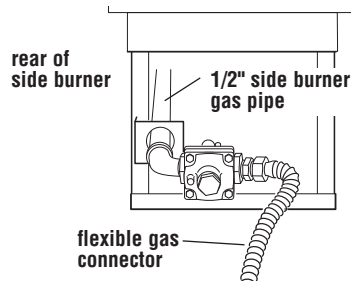
Examples of a qualified person included:

licensed heating personnel,
authorized gas company personnel,
and
authorized service personnel.

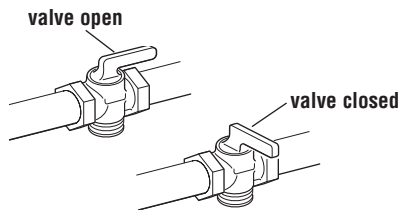
Failure to do so can result in death, explosion, or fire.

2. Make gas connections.

A combination of pipe fittings must be used to connect the side burner to the existing gas line.

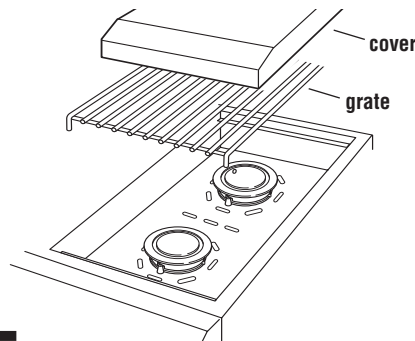


- If local codes permit, use a flexible stainless steel tubing gas connector, design-certified and marked "outdoor" by AGA or CSA International, to connect the side burner to the rigid gas supply line. 5/8" diameter line is recommended. Using a wrench to tighten, connect the gas supply to the side burner. Use pipe joint compound on all non-flared male threads. Do not kink or damage the flexible connector when moving the side burner.
- Pipe-joint compounds suitable for use with L.P. gas must be used. Do not use Teflon® tape.



3. Open shutoff valve in the gas supply line. The valve is open when the handle is parallel to the gas pipe.

4. Test all connections by brushing on an approved non-corrosive leak-detection solution. Bubbles will show a leak. Correct any leak found.



5. Carefully lift off cover and grate and set aside. Remove packing from around burners. Reinstall grate.

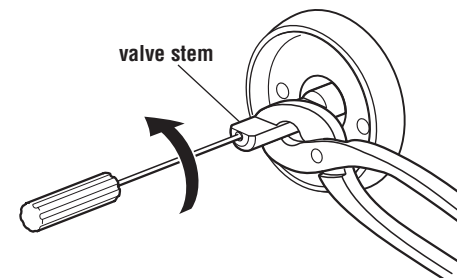
6. Carefully move Side Burner completely into enclosure.

7. Go to "Checking and adjusting the burners".

Checking and adjusting the burners

The burners are tested and factory-set for most efficient operation. However, variations in gas supply and other conditions may make minor adjustments to low flame setting necessary. Adjustments must be done by a qualified service technician.

Checking and adjusting the burner flames requires removing the grate.



Low flame adjustment:

If flame goes out on the LO setting, the low flame setting must be adjusted.

Light the burner and turn control knob to its lowest setting and remove knob. Hold the valve stem with pliers and insert a thin flat blade screwdriver into the shaft. Watch the flame and slowly turn screwdriver counterclockwise. Adjust flame to the minimum stable flame. Replace control knob.

Reassemble grate.

Copies of the standards listed may be obtained from:

* **CSA International**
8501 East Pleasant Valley Rd.
Cleveland, Ohio 44131-5575

** for local codes, contact your local building inspector

® Teflon is a registered trademark of E.I. Du Pont de Nemours and Company.

Use and Care of your Side Burner

Using your Side Burner

⚠ WARNING



Burn Hazard

Do not let the burner flame extend beyond the edge of the pan. Doing so can result in burns.

⚠ WARNING

Food Poisoning Hazard

Do not let food sit for more than one hour before or after cooking. Doing so can result in food poisoning or sickness.

1. Remove side burner cover. Do not light burners with the cover on.
2. Make sure control knobs are turned to OFF.
3. Turn the gas supply on:

Natural gas or L.P. gas from a local supply.

- Using gas supply source other than L.P. gas cylinder:

Turn the shutoff valve to open position from the front of gas supply line.

L.P. gas cylinder, if converted (see "Gas Supply Requirements").

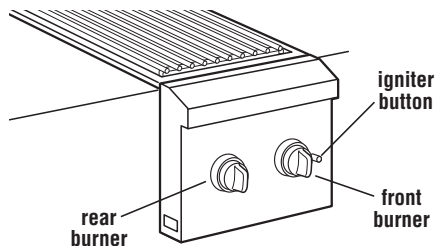
- Using an L.P./ propane gas cylinder: Slowly open the cylinder valve; do not "snap" open.

NOTE: When using an L.P. gas cylinder, the flow limiting device may activate and your side burner may not light. If your side burner does light, the flames will be low and will not heat properly. Turn cylinder valve and all control knobs off and wait 30 seconds. After shutting off the cylinder, very slowly open cylinder valve and wait 5 seconds before lighting.

Lighting the side burner

IMPORTANT: Light only one burner at a time.

1. Do not lean over burners. Push in and turn to "LITE" the control knob for the burner you wish to use.



2. Push in the burner igniter button. You will hear the "snapping" sound of the spark. Keep the burner igniter button pushed in until burner lights. Make sure burner is lit. Repeat for the other burner as needed.

IMPORTANT:

If burner does not light immediately, turn the burner knob to "OFF" and wait 5 minutes before relighting.

Manually lighting the burners

1. Strike a match to light it.
2. Carefully guide the lit match to the burner you wish to light.
3. Push in and turn the burner knob to "LITE" for the burner closest to the lit match. The burner will light immediately.
4. Repeat steps 1 through 3 for each burner.

IMPORTANT:

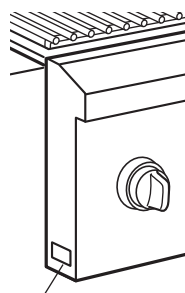
If burner does not light immediately, turn the burner knob to "OFF" and wait 5 minutes before relighting.

If any burners do not light after attempting to manually light them, contact the KitchenAid Assistance Center (see "Requesting Assistance or Service" section).

Replacing the Igniter battery

If igniters stop sparking, the battery should be replaced.

1. Lift up at bottom of battery tray and slide battery tray out.
2. Remove battery and replace with alkaline 9-volt battery.
3. Slide battery tray back into compartment.



lift up and slide out tray

Cleaning

General Tips

IMPORTANT: Before cleaning, make sure all controls are off and the burners are cool. Always follow label instructions on cleaning products.

For routine cleaning, wash with soap and water using a soft cloth or sponge. Rinse with clean water and dry at once with a soft, lint-free cloth to avoid spots and streaks.

Never use steel wool to clean the side burner, as it will scratch the surface.

Stainless Steel

IMPORTANT: Do not use soap-filled scouring pads, abrasive cleaners, Cooktop Polishing Creme, steel wool, gritty wash cloths or paper towels.

Cleaners should not contain chlorine. Damage may occur to the product finish.

Rub in direction of grain to avoid scratching or damaging the surface.

Food spills should be cleaned as soon as entire Side Burner is cool. Spills may cause permanent discoloration.

- Use Stainless Steel Cleaner & Polish (Part #4396095). See "Requesting Assistance or Service" section to order.
- Use a mild liquid detergent or all-purpose cleaner according to label instructions.
- Rinse with clean water and dry at once with soft, lint-free cloth to avoid spots and streaks.
- Use vinegar to remove hard water spots. Rinse with water and dry thoroughly.
- Use a glass cleaner to remove fingerprints.

IMPORTANT: Make sure gas supply is off and all control knobs are in the “OFF” position. Make sure the Side Burner is cool.

Exterior

The quality of this material resists most stains and pitting, providing that the surface is kept clean and protected.

- Apply stainless steel polish to all non-cooking areas before first use. Re-apply after each cleaning to prevent permanent damage to surface.
- Cleaning should always be followed by rinsing with clean warm water.
- Wipe the surface completely dry with a soft cloth.
- For tough spots or baked-on grease, use Whirlpool Degreaser (Part No. 31552), a commercial degreaser designed for stainless steel. See “Requesting Assistance or Service” section to order.

Interior

- Cleaning should always be followed by rinsing with clean, warm water.
- Use a mild liquid detergent or all-purpose cleaner, following label instructions. Rinse with clean water and dry completely with a soft, lint-free cloth.
- A heavy-duty scrub sponge can be used with mild cleaning products. Always rub in the direction of the grain.
- For small, difficult-to-clean areas, use Whirlpool Degreaser (Part No. 31552), a commercial degreaser designed for stainless steel. See “Requesting Assistance or Service” section to order.

Burner caps and grate

- Clean with a brass bristle brush.
- Wash grate using mild detergent, warm water and degreaser.
- Rinse with clean water and dry with soft, lint-free cloth.
- Use Stainless Steel Cleaner & Polish (Part No. 4396095). See “Requesting Assistance or Service” section to order.

Knobs, plastic and flange area around knobs

IMPORTANT: Do not use steel wool, abrasive cleaners, or oven cleaner.

Do not soak knobs.

- Wash with mild detergent, using a soft cloth and warm water. Rinse and dry.

Control panel graphics

IMPORTANT: Do not use steel wool, abrasive cleaners or oven cleaner.

Do not spray cleaner directly onto panel.

Clean around the burner labels gently; scrubbing may remove printing.

- Wash with mild detergent, using a soft cloth and warm water. Rinse and dry.

Warranty

KitchenAid® Gas Side Burner Warranty	
LENGTH OF WARRANTY	KitchenAid WILL PAY FOR:
FULL ONE-YEAR WARRANTY From Date of Purchase	Factory Specified Parts and Repair Labor to correct defects in materials OR workmanship. Service must be provided by a Service Company designated by KitchenAid.
Limited Five-Year Warranty Second through Fifth Year from Date of Purchase, parts only	For five years from the date of purchase, when this gas side burner is used in accordance with instructions attached or furnished with product, KitchenAid will pay for Factory Specified Parts to correct defects in materials or workmanship. KitchenAid also warrants that the structural integrity of the gas side burner is free from defects in materials or workmanship, under normal recommended use for a period of five years from the date of purchase.
Limited Lifetime Warranty On all Stainless Steel components	KitchenAid warrants that the stainless steel body housings will be free from defects in material and workmanship when subjected to normal domestic use and service for the lifetime of the appliance. This warranty excludes damage to the finish, such as scratches or discoloration, which may occur during regular use. The above warranty is limited to the replacement costs of the above component parts.
KitchenAid WILL NOT PAY FOR:	
<p>A. Installation of your gas side burner or damage caused by improper installation or failure to comply with local code requirements.</p> <p>B. Shipping, pickup and delivery, removal or re-installation, as your gas side burner is designed to be repaired in the home.</p> <p>C. Service calls to:</p> <ol style="list-style-type: none"> 1. Correct the installation of your KitchenAid gas side burner. 2. Instruct you how to use your KitchenAid gas side burner. 3. Replace house fuses or correct house wiring. 4. Perform normal maintenance, including periodic replacement of seals, fittings, etc. <p>D. Conversion kit or service call for the conversion of your gas side burner from natural gas to LP/propane or from LP/propane to natural gas.</p> <p>E. Repairs when your gas side burner is used in other than normal, single-family household use.</p> <p>F. Damage to your gas side burner caused by negligence, accident, misuse, fire, flood, acts of God, or use of products, including cleaning products, not approved by KitchenAid or KitchenAid Canada.</p> <p>G. Repairs to parts or system resulting from unauthorized modifications to your gas side burner.</p> <p>H. In Canada, travel or transportation expenses for customers who reside in remote areas.</p> <p>I. Replacement parts or repair labor costs for units operated outside the United States and Canada.</p> <p>J. Any labor costs during limited warranty period</p> <p>K. Deterioration due to normal wear and tear of your gas side burner.</p>	

Notice Regarding All KitchenAid gas side burner installations. Access must be provided to the side burner's gas source. Install and operate each gas side burner according to instructions provided with product.

KitchenAid and KitchenAid Canada Shall Not be Liable for Incidental or Consequential Damages. Any implied warranty or merchantability or fitness for a particular purpose is limited in duration to the duration of this warranty. Some states do not allow the exclusion or limitation of incidental or consequential damages, or allow limitations on how long an implied warranty lasts, so these exclusions or limitations may not apply to you. This warranty gives you specific legal rights, and you may also have other rights, which vary, from state to state or province to province.

Outside the 50 United States and Canada, this warranty does not apply. Contact your authorized KitchenAid dealer to determine if another warranty applies.

If you need customer or technical assistance, first see the "Using your Side Burner" section of the book. Additional help can be found by calling the KitchenAid Customer Interaction Center at 1-800-422-1230, from anywhere in the U.S.A. , and 1-800-807-6777, from anywhere in Canada.

Requesting Assistance or Service

To avoid unnecessary service calls, please check the "Use and Care of your Side Burner" section. It may save you the cost of a service call. If you still need help, follow the instructions below.

If you need assistance or service in U.S.A.

Call toll-free at 1-800-422-1230, our consultants are available to assist you.

When calling: Please know the purchase date, and the complete model and serial number of your appliance. This information will help us better respond to your request.



Our consultants provide assistance with:

- Features and specifications on our full line of appliances
- Installation information

- Use and maintenance procedures
- Accessory and repair parts sales
- Specialized customer assistance (Spanish speaking, hearing impaired, limited vision, etc.)
- Referrals to local dealers, service companies, and repair parts distributors

KitchenAid designated service technicians are trained to fulfill the product warranty and provide after-warranty service, anywhere in the United States.

To locate the designated KitchenAid service company in your area, you can also look in your telephone directory Yellow Pages.

If you need replacement parts

If you need to order replacement parts, we recommend that you only use factory-authorized parts. These parts will fit right and work right, because they are made to the same exacting specifications used to build every new KitchenAid appliance.

To locate factory-authorized parts in your area, call 1-800-422-1230 for your nearest authorized service center, or KitchenAid Factory Service at 1-800-442-1111.

For further assistance

If you need further assistance, you can write to KitchenAid with any questions or concerns at:

KitchenAid Brand Home Appliances
Customer Interaction Center
c/o Correspondence Dept.
2000 North M-63
Benton Harbor, MI 49022-2692

Please include a daytime phone number in your correspondence.

Requesting Assistance or Service

Before calling for assistance or service, please check the "Use and Care of your Side Burner" section. It may save you the cost of a service call. If you still need help, follow the instructions below.

If you need assistance or service in Canada

1. If the problem is not due to one of the items listed in "Check Operation"†...



Contact the dealer from whom you purchased your appliance or call toll-free, 1-800-422-1230.

2. If you need service†...

Contact your nearest KitchenAid Canada Appliance Service branch or authorized servicing outlet to service your appliance. (See list below.) Make sure the service company you contact is authorized to service your appliance during the warranty period.

†When asking for assistance or service, please provide a detailed description of the problem, your appliance's complete model and serial numbers, and the purchase date. This information will help us respond properly to your request.

KitchenAid Canada Appliance Service – Consumer Services

Direct service branches:

BRITISH COLUMBIA		1-800-665-6788
ALBERTA		1-800-661-6291
ONTARIO (except 807 area code)	Ottawa area	1-800-267-3456
	Outside the Ottawa area	1-800-807-6777
MANITOBA, SASKATCHEWAN and 807 area code in ONTARIO		1-800-665-1683
QUEBEC	Montreal (except South Shore)	1-800-361-3032
	South Shore Montreal	1-800-361-0950
	Quebec City	1-800-463-1523
	Sherbrooke	1-800-567-6966
ATLANTIC PROVINCES		1-800-565-1598

For further assistance

If you need further assistance, you can write to KitchenAid Canada with any questions or concerns at:

Consumer Relations Department
KitchenAid Canada
1901 Minnesota Court
Mississauga, Ontario L5N 3A7

Please include a daytime phone number in your correspondence.

Part No. 8190046

© 2003 KitchenAid.

® Registered Trademark/Trademark of
KitchenAid U.S.A., KitchenAid
Canada licensee in Canada

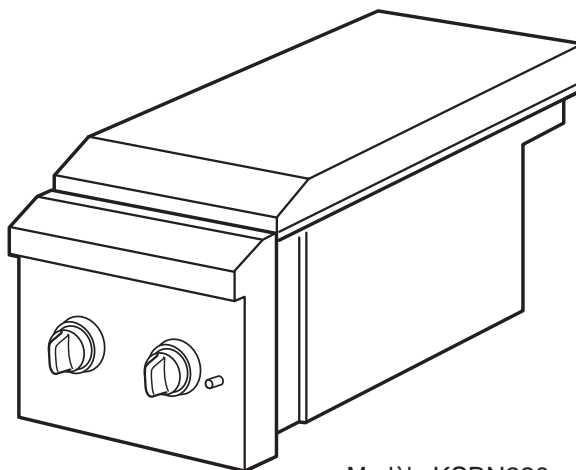
KitchenAid®
HOME APPLIANCES

Prepared by KitchenAid, Benton Harbor, Michigan 49022
Download from [Www.Somanuals.com](http://www.Somanuals.com). All Manuals Search And Download.

Printed in U.S.A.

Instructions d'installation et Guide d'utilisation et d'entretien

Brûleur latéral encastré pour extérieur



Modèle KSBN220



IMPORTANT : **Lire et conserver ces instructions.**

IMPORTANT :

Installateur : Remettre les instructions d'installation au propriétaire.

Propriétaire : Conserver les instructions d'installation pour consultation ultérieure.

Conserver les instructions d'installation pour consultation par l'inspecteur local des installations électriques.

Avant d'installer ou d'utiliser le brûleur latéral pour extérieur, inscrire ci-dessous le numéro de modèle et le numéro de série. On trouve ces numéros sur l'étiquette d'identification située sur le rebord inférieur du tableau de commande. Ceci est également signalé sur la plaque signalétique, située sur le panneau latéral.

Numéro de modèle : _____

Numéro de série : _____

Consultation rapide :

Table des matières :

Pages

2	-	3	Avant de commencer
4			Dimensions du produit
4			Dimensions pour l'installation du produit
5			Alimentation en gaz - Spécifications
6			Étapes de l'installation
6			Contrôle/réglage des brûleurs
7	-	8	Utilisation et entretien
9			Garantie
10	-	11	Demande d'assistance ou de service

KitchenAid®
BIEN PENSÉ, BIEN FABRIQUÉ®

Article n° 8190046

Avant de commencer...

Votre sécurité et celle des autres, c'est très important.

Nous donnons de nombreux messages de sécurité importants dans ce manuel, et sur votre appareil ménager. Veuillez à toujours lire tous les messages de sécurité et à vous y conformer.



Voici le symbole d'alerte de sécurité

Ce symbole d'alerte de sécurité vous signale un risque potentiel de décès et de blessures graves pour vous et d'autres personnes.

Tous les messages de sécurité suivront le symbole d'alerte de sécurité et le mot « DANGER » ou « AVERTISSEMENT ». Ces mots signifient :

! DANGER

Risque possible de décès ou de blessure grave si vous ne suivez pas immédiatement les instructions.

! AVERTISSEMENT

Risque possible de décès ou de blessure grave si vous ne suivez pas les instructions.

Chaque message de sécurité identifie le danger potentiel et indique comment réduire le risque de blessure et ce qui peut se produire en cas de non-respect des instructions.

POUR VOTRE SÉCURITÉ SI UNE ODEUR DE GAZ EST PERCEPTIBLE :

- **Fermer l'arrivée de gaz de l'appareil.**
- **Éteindre toute flamme nue.**
- **Ouvrir le capot.**
- **Si l'odeur persiste, contacter immédiatement le fournisseur de gaz ou les pompiers.**

POUR VOTRE SÉCURITÉ

- **Ne pas remiser ou utiliser de l'essence ou un autre produit liquide ou gazeux inflammable à proximité de cet appareil ou de tout autre appareil ménager.**
- **Une bouteille de propane qui n'est pas connectée pour l'utilisation ne doit pas être remise à proximité de cet appareil ou de tout autre appareil ménager.**

INSTRUCTIONS DE SÉCURITÉ IMPORTANTES

1. Ne pas installer les brûleurs latéraux dans un véhicule récréatif, une remorque, un bateau ou autre équipement mobile.
2. Veiller à toujours respecter les distances de séparation minimales entre l'appareil et les matières combustibles; voir la section « Emplacement d'installation ».
3. L'appareil de cuisson à gaz pour extérieur ne doit pas être installé au-dessous d'une construction en matériaux combustibles.
4. Cet appareil de cuisson à gaz pour extérieur ne doit être utilisé qu'à l'extérieur, et ne doit pas être utilisé dans un bâtiment, un garage ou tout autre espace fermé.
5. Veiller à ne pas approcher le cordon d'alimentation électrique et les canalisations de combustible des surfaces chaudes.
6. Veiller à ne jamais avoir de matière combustible, essence ou autre produit inflammable liquide ou gazeux à proximité de l'appareil de cuisson à gaz pour extérieur.
7. Ne pas entraver la circulation d'air de combustion et de ventilation. Veiller à ce que les ouvertures de ventilation du logement de la bouteille de gaz ne soient jamais obstruées.
8. Inspecter le tuyau raccordant la bouteille de gaz au brûleur latéral avant chaque utilisation de l'appareil. En cas de coupure, usure ou abrasion excessive, on DOIT remplacer le tuyau de raccordement avant d'utiliser le brûleur latéral. Consulter le revendeur – utiliser uniquement un tuyau de remplacement spécifié pour l'utilisation avec le brûleur latéral pour extérieur.
9. Inspecter visuellement les flammes sur les brûleurs. On doit observer des flammes bleues; une petite zone jaunâtre à l'extrémité des flammes est normale lors de l'alimentation au propane.
10. Inspecter les brûleurs et le tube venturi pour y rechercher des accumulations d'insectes ou nids d'insectes. Une obstruction du tube peut provoquer un feu sous le brûleur latéral.
11. La bouteille de gaz utilisée doit :
 - être fabriquée conformément aux spécifications applicables aux bouteilles de propane, et être marquée comme telle (spécifications du ministère des Transports des É.-U., ou de la norme canadienne CAN/CSA-B339 – récipients pour le transport de matières dangereuses); et Commission.
 - comporter un dispositif homologué empêchant un remplissage excessif
 - comporter un dispositif de raccordement compatible avec le raccord d'alimentation du brûleur latéral pour extérieur.
12. Inspecter toujours les connexions pour rechercher les fuites lors de chaque raccordement/déconnexion de la bouteille de propane. Voir la section « Instructions d'installation ».
13. Lorsque le gril pour extérieur n'est pas utilisé, fermer le robinet de la bouteille de gaz.
14. Le remisage du brûleur latéral pour extérieur n'est permis que si la bouteille de gaz a été déconnectée et séparée du brûleur latéral pour extérieur.
15. Une bouteille de gaz doit être remise à l'extérieur, hors d'atteinte des enfants; on ne doit jamais remiser une bouteille de gaz dans un bâtiment ou garage, ou dans un local fermé.
16. On doit utiliser le détendeur et le tuyau de raccordement fournis avec le brûleur latéral pour extérieur. Le détendeur et le tuyau de raccordement spécifiés pour le modèle acheté sont identifiés à la section « Instructions d'installation ».
17. La configuration du système d'alimentation par une bouteille de gaz doit permettre l'extraction adéquate du produit gazeux.
18. La bouteille de gaz doit inclure un chapeau de protection du robinet.

AVERTISSEMENT : Si les instructions de ce manuel ne sont pas scrupuleusement respectées, il pourrait se produire un incendie ou une explosion susceptibles de provoquer des dommages matériels ou corporels, voire un décès.

Si les directives suivantes ne sont pas scrupuleusement observées, il peut se produire un incendie qui susciterait des dommages corporels graves ou mortels.

- Ne pas remiser une bouteille de gaz sous le brûleur latéral ou à proximité.
- Ne jamais remplir une bouteille de gaz à plus de 80 %.

Important :

Ce brûleur latéral est fabriqué pour une utilisation à l'extérieur seulement.

Pour les brûleurs latéraux utilisés à une altitude supérieure à 2000 pieds, on doit remplacer le gicleur d'admission de gaz. Voir la section Alimentation en gaz - Spécifications.

C'est à l'installateur qu'incombe la responsabilité du respect des distances de séparation minimales spécifiées sur la plaque signalétique. On trouve la plaque signalétique sur le panneau latéral.

On peut se procurer un exemplaire des normes mentionnées aux adresses suivantes :

**National Fire Protection Association
One Batterymarch Park
Quincy, Massachusetts 02269**

**CSA International
8501 East Pleasant Valley Rd.
Cleveland, Ohio 44131-5575**

La loi californienne Safe Drinking Water and Toxic Enforcement Act oblige le Gouverneur de la Californie à publier une liste des substances qui, à la connaissance de l'État de la Californie, causent le cancer, des défauts congénitaux ou sont autrement nuisibles à la reproduction, et elle oblige aussi les entreprises à mettre en garde contre l'exposition potentielle à de telles substances.

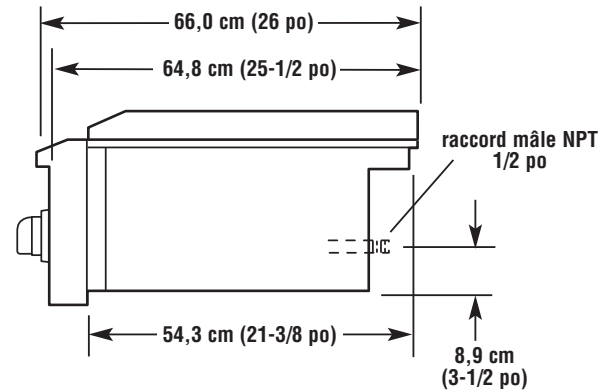
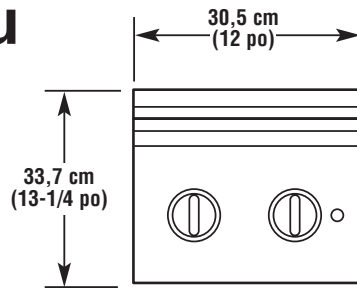
AVERTISSEMENT : Ce produit contient un produit chimique qui, à la connaissance de l'État de la Californie, cause le cancer, des défauts congénitaux ou est autrement nuisible à la reproduction.

Cet appareil peut causer une exposition de faible intensité à certaines des substances énumérées y compris le benzène, la silice cristalline, le monoxyde de carbone, le toluène et la suie.

Dans l'État du Massachusetts, les instructions d'installation suivantes s'appliquent :

- Les installations et réparations doivent être effectuées par un entrepreneur ou plombier qualifié ou agréé ou par un monteur d'installations au gaz qualifié ou agréé par l'État du Massachusetts.
- Si on utilise un clapet à bille, il doit être du type à manche en forme de T.
- Un raccord flexible pour gaz, lorsque utilisé, ne doit pas dépasser 3 pieds.

Dimensions du produit



Dimensions pour l'installation du produit encastré

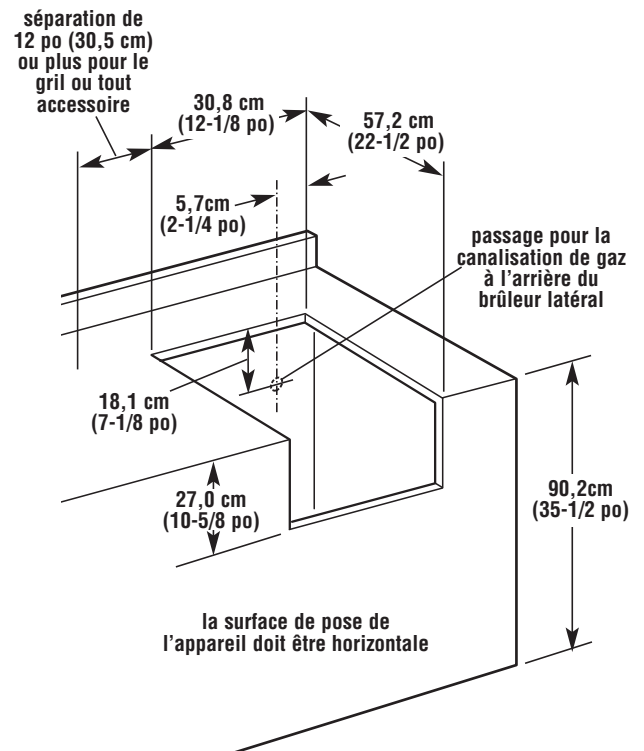
On doit respecter toutes les dimensions indiquées pour le module recevant l'appareil, et pour toutes les distances de séparation.

L'installation de ce brûleur latéral doit satisfaire les prescriptions de la version en vigueur de la norme CSA-Z21.58a-1998* ou de tout code local applicable.

Le brûleur latéral s'encastre dans l'ouverture de l'enceinte et est soutenu par ses rebords latéraux. Aucun soutien n'est nécessaire en bas.

On peut se procurer un exemplaire des normes mentionnées à l'adresse suivante :

*CSA International
8501 East Pleasant Valley Rd.
Cleveland, Ohio 44131-5575



Outillage et pièces

Outils nécessaires :

- niveau
- petit tournevis à lame plate
- tournevis à lame plate
- tournevis Phillips
- mètre-ruban ou règle
- pince multiprise/articulation mobile
- clé à tuyauterie

Pièces nécessaires :

- robinet d'arrêt pour la canalisation de gaz
- raccord fileté mâle 1/2 po pour le raccordement au détendeur
- composé d'étanchéité des jointures résistant au propane
- raccord flexible d'acier inoxydable (homologation AGA ou CSA) [4-5 pi (1,2-1,5 m)] ou canalisation de gaz rigide, selon le besoin
- solution de détection des fuites, non corrosive

Pièces fournies

- détendeur convertible réglé pour une pression de 4 po (col. d'eau) pour le gaz naturel

Emplacement d'installation

Choisir un emplacement qui minimise l'exposition au vent et à la circulation des personnes. L'emplacement ne devrait pas être exposé à de forts courants d'air.

Ne pas entraver l'arrivée d'air de ventilation ni d'évacuation des gaz de combustion.

Alimentation en gaz — Spécifications

Respecter les prescriptions des codes et règlements en vigueur.

Important : Le brûleur latéral doit être raccordé à une source de gaz sous pression régulée.

- Les puissances thermiques indiquées sur la plaque signalétique ont été déterminées pour une altitude de 2000 pieds (610 m). À une altitude supérieure à 2000 pieds (610 m), la puissance thermique diminue à raison de 4 % pour chaque tranche de 1000 pieds (305 m) au-dessus du niveau de la mer. Un remplacement du gicleur est nécessaire. Contacter le centre d'assistance à la clientèle KitchenAid.
- La plaque signalétique indique le type de gaz à utiliser. Si le gaz spécifié ne correspond pas au type de gaz disponible, consulter le fournisseur local de gaz.

Ne jamais entreprendre de convertir le brûleur latéral pour l'alimentation avec un gaz autre que celui qui est spécifié sur la plaque signalétique sans avoir consulté le fournisseur de gaz local. On devra utiliser l'ensemble de conversion spécifié.

Test de pressurisation de la canalisation :

Test à plus de 1/2 lb/po² (3,5 kPa) (relative) ou colonne d'eau de 14 po (35,5 cm)

Lors de tout test de pressurisation de la canalisation de gaz à une pression relative supérieure à 1/2 lb/po² (3,5 kPa), il faut que le brûleur latéral et son robinet d'arrêt individuel soient déconnectés de la canalisation d'arrivée de gaz.

Test à une pression de 1/2 lb/po² (3,5 kPa) (relative) ou colonne d'eau de 14 po (35,5 cm) ou moins

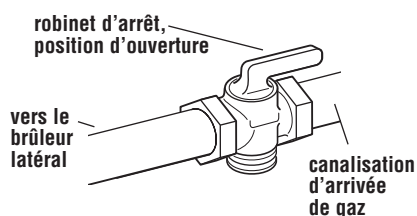
Lors de tout test de pressurisation de la canalisation de gaz à une pression égale ou inférieure à 1/2 lb/po² (3,5 kPa), on doit fermer le robinet d'arrêt individuel pour isoler le brûleur latéral de la canalisation d'arrivée de gaz.

Brûleurs latéraux encastrés –

Gaz naturel :

Les modèles de brûleurs latéraux sont configurés pour l'alimentation au gaz naturel. Leur conception est homologuée par CSA International pour l'alimentation au propane ou butane, après conversion appropriée.

Le brûleurs latéraux sont réglés pour l'utilisation au gaz naturel; le détendeur pour gaz naturel comporte un filetage femelle de 1/2 po.



La canalisation d'arrivée de gaz doit être dotée d'un robinet d'arrêt homologué. Ce robinet devrait être au voisinage du brûleur latéral, à un endroit où on peut y accéder facilement pour les manœuvres d'ouverture et de fermeture. Ne pas entraver l'accès au robinet d'arrêt. Le robinet permet d'ouvrir ou de fermer l'alimentation en gaz de l'appareil.

Conversion au gaz propane

Conversion pour l'alimentation au propane, depuis une source locale de propane :

L'opération de conversion doit être exécutée par un technicien qualifié.

Un technicien qualifié pour le gaz naturel doit installer une canalisation de propane jusqu'au point d'installation du brûleur latéral en conformité avec les prescriptions du Code national du gaz NFPA 54 et des codes locaux.

Pour la conversion pour l'alimentation au propane, on doit utiliser l'ensemble de conversion no 4396312. Suivre les instructions fournies avec l'ensemble.

Conversion pour l'alimentation au propane, depuis une bouteille de propane :

Pour la conversion pour l'alimentation au propane, on doit utiliser l'ensemble de conversion no 4396312. Suivre les instructions fournies avec l'ensemble.

On doit acquérir séparément une bouteille de propane (pas plus de 20 lb).

GAZ NATUREL :

Pression de service : 4 po (10,2 cm) (colonne d'eau)

Pression d'alimentation 7-14 po maximum (17,8 cm à 35,5 cm) (colonne d'eau)

GAZ PROPANE :

Pression de service :

11 po (28 cm) (colonne d'eau)

Pression d'alimentation : 11 à 14 po (28 à 35,5 cm) colonne d'eau

Installation du brûleur latéral

⚠ AVERTISSEMENT

Risque de poids excessif

Deux personnes ou plus sont nécessaires pour déplacer et installer le brûleur latéral.

Le non-respect de cette instruction peut causer une blessure au dos ou une autre blessure.

Alimentation au gaz naturel

Le circuit de gaz doit satisfaire les prescriptions des codes et règlements locaux**. En l'absence de codes locaux, les installations doivent satisfaire soit les prescriptions du Code national du gaz ANSI Z223.1, soit celles du code d'installation de gaz naturel et propane CAN/CGA-B149.1*.

1.

Placer le brûleur latéral sur le module d'installation; laisser suffisamment d'espace à l'arrière pour pouvoir raccorder l'appareil à la source de gaz.

⚠ AVERTISSEMENT



Risque d'explosion

Utiliser une canalisation de gaz neuve (agrément AGA ou CSA) "pour l'extérieur".

Bien serrer toutes les connexions de la canalisation de gaz.

Si le brûleur à gaz est alimenté au propane, demander à une personne qualifiée de vérifier que la

pression du gaz ne dépasse pas 28 cm (11 po) (colonne d'eau). Exemples de personnes qualifiées :

chauffagiste professionnel, personnel autorisé d'un fournisseur de gaz, et technicien d'entretien agréé.

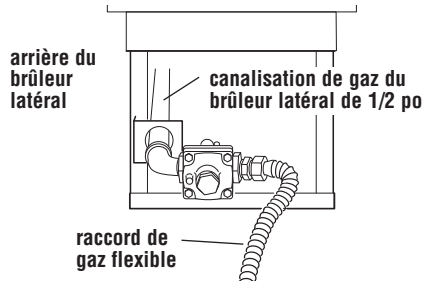
Le non-respect de ces instructions peut causer un décès, une explosion ou un incendie.

2.

Réaliser toutes les connexions du circuit de gaz.

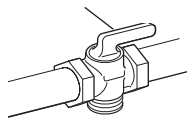
Il faut utiliser différents raccords pour la connexion du gril à la canalisation de gaz existante.

6

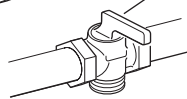


- Si les codes locaux le permettent, utiliser un tuyau en acier inoxydable flexible homologué par l'AGA ou CSA International pour raccorder le brûleur latéral à la canalisation de gaz rigide. Une canalisation de 5/8 po de diamètre est recommandée. Connecter l'alimentation de gaz au brûleur latéral et serrer les raccords avec une clé. Utiliser un composé d'étanchéité des jointures sur tous les filetages mâles non évasés. Ne pas déformer ni endommager le raccord flexible lors du déplacement du brûleur latéral.
- Il faut utiliser des composés d'étanchéité des jointures résistant au propane. Ne pas utiliser de ruban de Teflon®.

robinet ouvert



robinet fermé

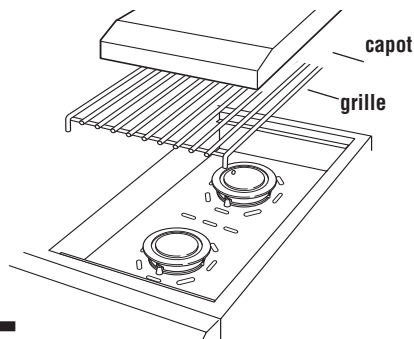


3.

Ouvrir le robinet d'arrêt de la canalisation de gaz. Le robinet est ouvert lorsque la poignée est parallèle à la canalisation de gaz.

4.

Effectuer un test de recherche des fuites sur chaque connexion à l'aide d'une solution de détection des fuites, non corrosive. La formation de bulles indique une fuite. Rectifier chaque connexion manifestant une fuite.



5.

Soulever prudemment le capot et la grille pour les conserver à part. Enlever l'emballage autour des brûleurs. Réinstaller la grille.

6.

Insérer complètement et avec précaution le brûleur latéral dans l'enceinte d'installation.

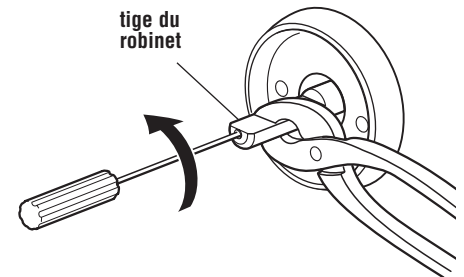
7.

Passer à la section « Contrôle et réglage des brûleurs ».

Contrôle et réglage des brûleurs

Les brûleurs ont été testés et réglés à l'usine pour le fonctionnement au niveau d'efficacité optimum. Cependant, des variations des caractéristiques de la source de gaz et d'autres paramètres peuvent nécessiter un réglage mineur de l'admission d'air au niveau des brûleurs ou du débit thermique minimum. Tout réglage doit être exécuté par un technicien qualifié.

Les opérations de contrôle et de réglage des flammes sur le brûleur nécessitent la dépose de la grille.



Réglage de la puissance de chauffage minimale :

Si les flammes d'un brûleur s'éteignent alors qu'il est réglé pour la puissance de chauffage minimale, on doit effectuer un réglage.

Allumer le brûleur et tourner le bouton de commande à la position correspondant à la puissance de chauffage minimale, et ôter le bouton. Immobiliser la tige du robinet avec une pince, et insérer un tournevis à lame plate mince dans la tige creuse. Observer les flammes; faire tourner lentement le tournevis dans le sens inverse des aiguilles d'une montre. Trouver la position qui permet le maintien des plus petites flammes stables. Réinstaller le bouton de commande. Réinstaller la grille.

On peut se procurer un exemplaire des normes mentionnées à l'adresse suivante :

* CSA International
8501 East Pleasant Valley Rd.
Cleveland, Ohio 44131-5575

** au sujet des codes locaux, contacter l'inspecteur local des bâtiments.

®Teflon est une marque de commerce déposée de E.I. Du Pont de Nemours and Company.

Utilisation et entretien du brûleur latéral

Utilisation du brûleur latéral

⚠ AVERTISSEMENT



Risque de brûlure

Ne pas laisser la flamme du brûleur dépasser le bord de la poêle.

Le non-respect de cette instruction peut causer des brûlures.

⚠ AVERTISSEMENT

Risque d'empoisonnement alimentaire

Ne pas laisser des aliments en attente pendant plus d'une heure avant ou après la cuisson.

Le non-respect de ces instructions peut causer une intoxication alimentaire ou une maladie.

1. Enlever le capot du brûleur latéral. Ne pas allumer les brûleurs avec le capot rabattu.
2. Vérifier que chaque bouton de commande est à la position de fermeture.
3. Ouvrir l'arrivée de gaz :

Gaz naturel ou gaz propane d'un fournisseur local

- Utilisation d'une source d'alimentation de gaz autre qu'une bouteille de gaz propane

Tourner le robinet d'arrêt à la position ouverte de la canalisation d'alimentation de gaz.

Bouteille de propane, s'il y a conversion (voir "Alimentation en gaz - Spécifications").

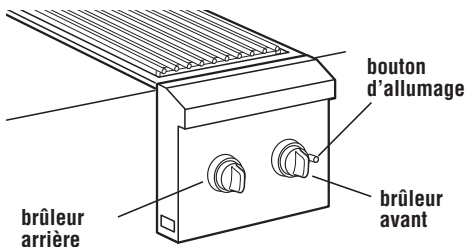
- Utilisation d'une bouteille de propane :
Ouvrir lentement (pas brusquement) le robinet de la bouteille de gaz.

NOTE : En cas d'activation du dispositif de limitation du débit, il peut être impossible d'allumer le gril. S'il demeure possible d'allumer le gril, la taille des flammes et le débit thermique seront insuffisants. Dans ce cas, fermer le robinet de la bouteille de gaz et tous les robinets de commande des brûleurs, et attendre 30 secondes. Après cela, ouvrir très lentement le robinet de la bouteille de gaz et attendre 5 secondes avant d'entreprendre l'allumage.

Allumage du brûleur latéral

IMPORTANT : Allumer un seul brûleur à la fois.

1. L'utilisateur ne doit pas se pencher au-dessus des brûleurs. Enfoncer/faire tourner le bouton de commande du brûleur choisi jusqu'à la position du débit thermique minimum (LITE).



2. Appuyer sur le bouton d'allumage du brûleur. On doit percevoir le bruit de déclic du module d'étincelage. Maintenir le bouton d'allumage du brûleur enfoncé jusqu'à ce que le brûleur soit allumé. Vérifier la présence des flammes sur le brûleur. Répéter pour chacun des autres brûleurs, selon le besoin.

IMPORTANT :

Si un brûleur ne peut s'allumer en 5 secondes, fermer le robinet de ce brûleur et attendre 5 minutes avant une autre tentative.

Allumage manuel des brûleurs

1. Frotter l'allumette pour l'allumer.
2. Guider soigneusement l'allumette allumée au brûleur que vous souhaitez allumer.
3. Enfoncer le bouton du brûleur le plus proche de l'allumette et le tourner à « LITE ». Le brûleur s'allumera immédiatement.
4. Répéter les étapes 1 à 3 inclusivement pour chaque brûleur principal.

IMPORTANT :

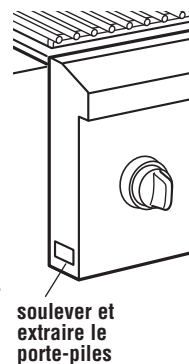
Si le brûleur ne s'allume pas immédiatement, tourner le bouton du brûleur à « OFF » et attendre 5 minutes avant de le rallumer.

Si certains brûleurs ne s'allument pas après une tentative d'allumage manuel, contacter le Centre d'assistance KitchenAid. (Voir la section "Demande d'assistance ou de service".)

Remplacement de la pile de l'allumeur

Si un allumeur ne produit pas d'étincelles, on doit remplacer la pile.

1. Soulever en bas du logement des piles et extraire le porte-piles.
2. Remplacer la pile par une pile alcaline de 9 volts.
3. Réinstaller le porte-piles dans le compartiment.



Nettoyage

Conseils généraux

IMPORTANT : Avant le nettoyage, vérifier que chaque robinet de gaz est en position de fermeture et que tous les brûleurs ont refroidi. Appliquer les instructions qui accompagnent les produits de nettoyage.

Pour un nettoyage de routine, laver avec eau et savon – utiliser une éponge ou un linge doux. Rincer avec de l'eau propre puis sécher immédiatement avec un linge doux non pelucheux pour éviter de laisser des marques et des taches.

Ne jamais utiliser de la laine d'acier pour nettoyer le brûleur latéral; ceci laisserait des éraflures sur la surface.

Acier inoxydable

IMPORTANT : Ne pas utiliser de tampon de récurage savonneux, produit de nettoyage abrasif, crème de polissage de table de cuisson, laine d'acier, lavette abrasive ou d'essuie-tout en papier.

Ne pas utiliser un produit de nettoyage contenant du chlore, qui pourrait endommager la finition.

Frotter dans la direction du grain pour éviter d'endommager la surface.

Après un renversement de produit alimentaire, nettoyer dès que le brûleur latéral a refroidi. Les produits alimentaires renversés peuvent laisser des taches indélébiles.

- Utiliser le produit de polissage Stainless Steel Cleaner & Polish (article n° 4396095). Pour la commande, voir la section « Demande d'assistance ou de service ».
- Utiliser un détergent liquide doux ou un produit de nettoyage polyvalent en suivant les instructions fournies avec le produit.
- Rincer avec de l'eau propre puis sécher immédiatement avec un linge doux non pelucheux pour éviter de laisser des marques et des taches.
- Utiliser du vinaigre pour éliminer les taches laissées par de l'eau dure. Rincer avec de l'eau et bien sécher.
- Utiliser un produit de nettoyage du verre pour éliminer les traces de doigt.

IMPORTANT : S'assurer que l'alimentation en gaz est fermée et que tous les boutons de commande sont à la position « OFF » (arrêt). S'assurer que le brûleur latéral est froid.

Extérieur

Ce matériau de qualité peut résister à la plupart des produits susceptibles de former des taches ou des piqûres de corrosion d'autres matériaux, sous réserve que la surface soit maintenue propre et protégée.

- Avant la première utilisation, appliquer un produit de polissage de l'acier inoxydable sur toutes les surfaces qui n'interviennent pas pendant la cuisson. Effectuer une autre application après chaque opération de nettoyage, pour éviter que la surface subisse des dommages irréversibles.
- Chaque nettoyage devrait être suivi d'un rinçage avec de l'eau tiède propre.
- Pour le séchage, essuyer complètement la surface avec un linge doux.
- Pour les taches tenaces ou de graisse carbonisée, utiliser le dégraissant Whirlpool (article no 31552); il s'agit d'un dégraissant commercial pour acier inoxydable. Voir la section « Demande d'assistance et de service » pour commander.

Intérieur

- Chaque nettoyage devrait être suivi d'un rinçage avec de l'eau tiède propre.
- Utiliser un détergent liquide doux (détergent à vaisselle) ou un produit de nettoyage polyvalent en suivant les instructions fournies avec le produit. Rincer avec de l'eau propre et sécher avec un linge doux non pelucheux.
- On peut utiliser une éponge à récurer (service rigoureux) avec un produit de nettoyage doux. Toujours frotter dans la direction du grain.
- Pour une zone de petite taille et difficile à nettoyer, utiliser le dégraissant Whirlpool (article no 31552); il s'agit d'un dégraissant commercial pour acier inoxydable. Voir la section « Demande d'assistance et de service » pour commander.

Grille et chapeaux du brûleur latéral

- Nettoyer avec une brosse à soies de laiton.
- Laver la grille avec un détergent doux, de l'eau tiède et un dégraissant.
- Rincer à l'eau propre et essuyer avec un chiffon doux non pelucheux.
- Utiliser le produit de polissage Stainless Steel Cleaner & Polish (article n° 4396095). Pour la commande, voir la section « Demande d'assistance ou de service ».

Boutons, matière plastique et rebord de l'appareil autour des boutons

IMPORTANT : Ne pas utiliser de laine d'acier, produit de nettoyage abrasif ou produit de nettoyage de four.

Ne pas faire tremper les boutons.

- Laver avec un détergent doux et de l'eau tiède, avec un chiffon doux. Rincer et faire sécher.

Éléments graphiques du panneau de commande

IMPORTANT : Ne pas utiliser de laine d'acier, produit de nettoyage abrasif ou produit de nettoyage de four.

Ne pas pulvériser le produit de nettoyage directement sur le panneau.

Nettoyer délicatement autour des étiquettes des brûleurs; le lavage peut effacer les éléments imprimés.

- Laver avec un détergent doux et de l'eau tiède, avec un chiffon doux. Rincer et faire sécher.

Garantie

Brûleur latéral à gaz KitchenAid® - Garantie

DURÉE DE LA GARANTIE	KitchenAid PAIERA POUR :
GARANTIE TOTALE D'UNE ANNÉE À compter de la date d'achat	Pièces spécifiées par l'usine et main-d'œuvre d'intervention pour l'élimination des vices de matériau OU de fabrication. Le travail doit être exécuté par une entreprise de service après-vente agréée par KitchenAid.
Garantie limitée de cinq ans De la seconde à la cinquième année année inclusivement à compter de la date d'achat, pièces seulement	Pendant cinq ans à compter de la date d'achat, lorsque le brûleur latéral est utilisé conformément aux instructions fournies avec le produit, KitchenAid paiera le coût des pièces spécifiées par l'usine pour l'élimination des vices de matériaux et de fabrication. KitchenAid garantit également qu'aucun vice de matériau ou de fabrication n'affecte l'intégrité structurale du brûleur latéral à gaz utilisé dans les conditions normales recommandées, pendant une période de cinq ans à compter de la date d'achat.
Garantie limitée à vie sur tous les composants en acier inoxydable	KitchenAid garantit que le carénage d'acier inoxydable du grill utilisé dans les conditions normales d'utilisation familiale est exempt de vice de matériau ou de fabrication, pendant toute la durée de vie utile de l'appareil. Ceci ne couvre pas les détériorations de la finition, comme éraflures ou changement de couleur, qui peuvent survenir dans le cadre de l'utilisation régulière. La garantie ci-dessus ne couvre que le coût de remplacement des composants cités ci-dessous.
KitchenAid NE PAIERA PAS POUR :	
A. Installation du brûleur latéral ou réparation de dommages imputables à une installation incorrecte, ou au non-respect des exigences du code local. B. Expédition, livraison, dépose et réinstallation du brûleur latéral – le brûleur latéral est conçu pour être réparé sur place. C. Intervention pour : 1. Correction de l'installation du brûleur latéral à gaz KitchenAid. 2. Instruction de l'utilisateur pour l'utilisation du brûleur latéral à gaz KitchenAid. 3. Remplacement des fusibles ou modification du câblage électrique de la résidence. 4. Travaux d'entretien de routine, ceci incluant le remplacement périodique de joints, raccords, etc. D. Ensemble des composants de conversion ou intervention de conversion du brûleur latéral pour changement de combustible (gaz naturel/propane). E. Réparations, lorsque le brûleur à gaz est utilisé autrement que dans le cadre du service normal d'une résidence unifamiliale. F. Dommages imputables à une négligence, un accident, un emploi impropre, un incendie, une inondation, une catastrophe, un désastre naturel, ou l'utilisation d'un produit non approuvé par KitchenAid ou KitchenAid Canada. G. Réparations sur des composants ou l'ensemble, imputables à une modification non autorisée du brûleur latéral à gaz. H. Au Canada, frais de déplacement lorsque le client réside en un lieu éloigné. I. Pièces de rechange et frais de réparation pour un appareil utilisé hors des États-Unis ou du Canada. J. Frais de main-d'œuvre durant la période de garantie limitée. K. Détériorations imputables à l'usure normale du brûleur latéral à gaz.	

Avis concernant l'installation d'un brûleur latéral à gaz KitchenAid. Un accès à la source de gaz doit être disponible. Installer et utiliser chaque brûleur latéral à gaz conformément aux instructions fournies avec le produit.

KitchenAid et KitchenAid Canada déclinent toute responsabilité au titre de dommages secondaires ou indirects. Toute garantie implicite de qualité marchande ou d'aptitude du produit pour une application particulière est limitée dans le temps à la durée de validité de cette garantie.

Certaines provinces ne permettent pas l'exclusion ou la limitation des dommages secondaires ou indirects, ou la limitation de la durée de validité des garanties implicites; par conséquent ces exclusions ou limitations peuvent ne pas vous être applicables. Cette garantie vous confère des droits juridiques spécifiques; vous pouvez également jouir d'autres droits, variables d'une province à une autre.

Hors des États-Unis et du Canada, cette garantie ne s'applique pas. Contactez votre revendeur KitchenAid agréé pour déterminer si une autre garantie s'applique.

Pour tout besoin d'assistance, consulter d'abord la section « Utilisation du brûleur latéral » dans cette brochure. Pour obtenir une aide supplémentaire, contacter le centre d'interaction avec la clientèle KitchenAid au 1-800-422-1230 aux É.-U. ou au 1-800-807-6777 au Canada.

Demande d'assistance ou de service

Pour éviter des interventions de dépannage non nécessaires, veuillez consulter la section « Utilisation et entretien du brûleur latéral ». Ceci pourrait vous éviter le coût d'une intervention de dépannage. Si une assistance demeure nécessaire, procéder selon les instructions ci-dessous.

Si vous avez besoin d'assistance ou de service aux É.-U.

Composez le numéro sans frais 1-800-422-1230. Nos consultants sont prêts à vous aider.



Lors d'un appel, veuillez connaître la date d'achat et les numéros complets de modèle et de série de votre appareil. Ces renseignements nous aideront à mieux répondre à votre demande.

Nos consultants vous renseigneront sur les sujets suivants :

- Caractéristiques et spécifications de notre gamme complète d'appareils électroménagers
- Renseignements sur l'installation

- Méthodes d'utilisation et d'entretien
- Vente de pièces de rechange et d'accessoires
- Assistance spécialisée à la clientèle (langue espagnole, malentendants, malvoyants, etc.)
- Coordonnées des revendeurs, compagnies de service et distributeurs locaux de pièces de rechange

Les techniciens de service désignés par KitchenAid ont reçu une formation qui leur permet d'effectuer les travaux de réparation sous garantie et le service après-garantie partout aux États-Unis.

Vous pouvez également consulter les Pages jaunes de l'annuaire téléphonique pour identifier une compagnie de service agréée KitchenAid dans votre région.

Si vous avez besoin de pièces de rechange

Si vous devez commander des pièces de rechange, nous vous recommandons d'utiliser seulement les pièces de rechange d'origine. Ces pièces de rechange fonctionneront bien parce qu'elles sont fabriquées selon les mêmes spécifications précises appliquées lors de la fabrication de chaque nouvel appareil ménager KitchenAid.

Pour localiser des pièces de rechange d'origine dans votre région, composer le 1-800-422-1230 pour obtenir l'adresse du plus proche centre de service agréé, ou contacter le département de service après-vente de KitchenAid au 1-800-442-1111.

Pour plus d'assistance

Si vous avez besoin de plus d'assistance, vous pouvez nous écrire en soumettant toute question ou problème à :

KitchenAid Brand Home Appliances
Customer Interaction Center
c/o Correspondence Dept.
2000 North M-63
Benton Harbor, MI 49022-2692

Veuillez indiquer dans votre correspondance un numéro de téléphone où l'on peut vous joindre durant la journée.

Demande d'assistance ou de service

Avant de nous contacter pour de l'assistance ou un service, veuillez consulter la section « Utilisation et entretien du brûleur latéral ». Ceci pourrait vous éviter le coût d'une intervention de dépannage. Si une assistance demeure nécessaire, procéder selon les instructions ci-dessous.

Si vous avez besoin d'assistance ou de service au Canada

1. Si le problème n'est pas attribuable à l'une des causes indiquées dans « Dépannage/Contrôle du fonctionnement »†...



Communiquer avec le commerçant qui a vendu l'appareil électroménager, ou téléphoner sans frais au 1-800-422-1230.

2. Si vous avez besoin de service† ...

Communiquer avec la plus proche succursale ou le plus proche établissement de service agréé de KitchenAid Canada (voir la liste ci-dessous). S'assurer que la société de service contactée est agréée pour effectuer l'entretien de votre appareil pendant la période de garantie.

† Lorsque vous demandez de l'assistance ou une intervention, veuillez fournir une description détaillée du problème, les numéros complets de modèle et de série de l'appareil, et la date d'achat. Ces renseignements nous aideront à mieux répondre à votre demande.

Service pour les appareils KitchenAid Canada — Service à la clientèle

Succursales «service en direct» :

COLUMBIE - BRITANNIQUE		1-800-665-6788
ALBERTA		1-800-661-6291
ONTARIO (à l'exception de l'indicatif régional 807))	Région d'Ottawa En dehors de la région d'Ottawa	1-800-267-3456 1-800-807-6777
MANITOBA, SASKATCHEWAN et indicatif régional 807 en Ontario		1-800-665-1683
QUÉBEC	Montréal (à l'exception de la rive Sud) Montréal - Rive Sud Quebec Sherbrooke	1-800-361-3032 1-800-361-0950 1-800-463-1523 1-800-567-6966
PROVINCES DE L'ATLANTIQUE		1-800-565-1598

Pour plus d'assistance

Si vous avez besoin de plus d'assistance, vous pouvez nous écrire en soumettant toute question ou problème à KitchenAid Canada à :

Service des relations avec la clientèle

KitchenAid Canada
1901 Minnesota Court
Mississauga, Ontario L5N 3A7

Veuillez indiquer dans votre correspondance un numéro de téléphone où l'on peut vous joindre dans la journée.

Article n° 8190046

© 2003 KitchenAid.

® Marque déposée / Marque de commerce
de KitchenAid U.S.A., KitchenAid Canada
porteur de licence au Canada.

KitchenAid®
HOME APPLIANCES

Préparé par KitchenAid, Benton Harbor, Michigan 49022
Download from [Www.Somanuals.com](http://www.Somanuals.com). All Manuals Search And Download.

Imprimé aux É.-U.

Free Manuals Download Website

<http://myh66.com>

<http://usermanuals.us>

<http://www.somanuals.com>

<http://www.4manuals.cc>

<http://www.manual-lib.com>

<http://www.404manual.com>

<http://www.luxmanual.com>

<http://aubethermostatmanual.com>

Golf course search by state

<http://golfingnear.com>

Email search by domain

<http://emailbydomain.com>

Auto manuals search

<http://auto.somanuals.com>

TV manuals search

<http://tv.somanuals.com>