

# **KitchenAid®**

---

## **PRO LINE™ FRONT-LOADING GAS DRYER**

### **Use & Care Guide**

For questions about features, operation/performance, parts, accessories or service, call: **1-800-422-1230**

In Canada, call: **1-800-807-6777** or visit our website at...

**www.kitchenaid.com** or **www.KitchenAid.ca**

---

## **SÉCHEUSE ÉLECTRIQUE PRO LINE™ À CHARGEMENT À L'AVANT**

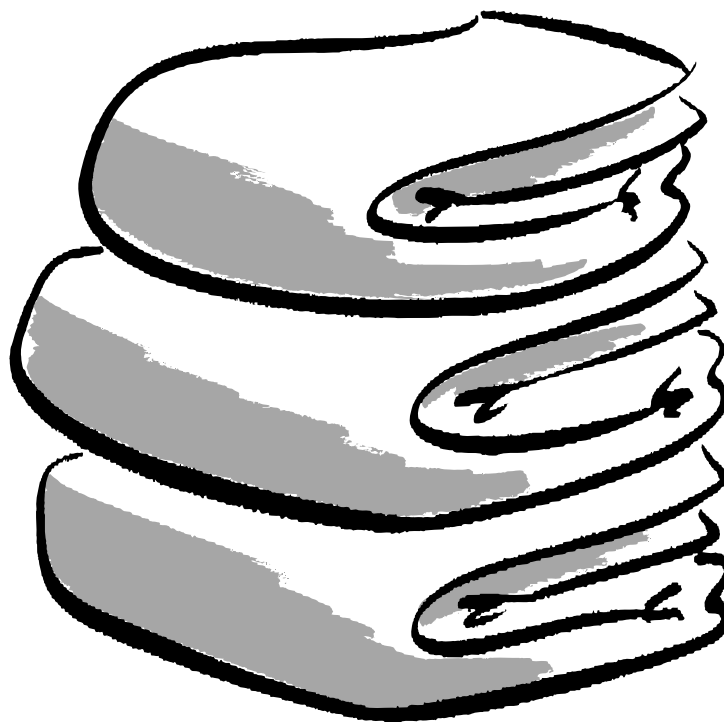
### **Guide d'utilisation et d'entretien**

Au Canada, composez le **1-800-807-6777**

ou visitez notre site web à... **www.KitchenAid.ca**

---

Table of Contents/Table des matières..... 2



# TABLE OF CONTENTS

<b>DRYER SAFETY</b> .....	<b>3</b>
<b>INSTALLATION INSTRUCTIONS</b> .....	<b>5</b>
Tools and Parts.....	5
Options.....	5
Location Requirements.....	6
Electrical Requirements.....	7
Gas Supply Requirements.....	8
Venting Requirements.....	9
Plan Vent System.....	10
Install Vent System.....	11
Make Gas Connection.....	11
Connect Vent.....	12
Level Dryer.....	12
Complete Installation.....	12
<b>DRYER USE</b> .....	<b>13</b>
Starting Your Dryer.....	13
Stopping Your Dryer.....	14
Pausing or Restarting.....	14
Control Locked.....	14
Drying and Cycle Tips.....	14
Status Display.....	14
Cycles.....	15
Additional Features.....	16
Temperature.....	17
Drying Rack.....	17
<b>DRYER CARE</b> .....	<b>18</b>
Cleaning the Dryer Location.....	18
Cleaning the Lint Screen.....	18
Cleaning the Dryer Interior.....	18
Cleaning the Dryer Exterior.....	18
Removing Accumulated Lint.....	19
Vacation and Moving Care.....	19
<b>TROUBLESHOOTING</b> .....	<b>19</b>
<b>ASSISTANCE OR SERVICE</b> .....	<b>21</b>
<b>WARRANTY</b> .....	<b>22</b>

# TABLE DES MATIÈRES

<b>SÉCURITÉ DE LA SÈCHEUSE</b> .....	<b>23</b>
<b>INSTRUCTIONS D'INSTALLATION</b> .....	<b>25</b>
Outillage et pièces.....	25
Options.....	25
Exigences d'emplacement.....	26
Spécifications électriques.....	27
Spécifications de l'alimentation en gaz.....	28
Exigences concernant l'évacuation.....	29
Planification du système d'évacuation.....	31
Installation du système d'évacuation.....	32
Raccordement au gaz.....	32
Raccordement du conduit d'évacuation.....	33
Mise à niveau de la sècheuse.....	33
Achever l'installation.....	33
<b>UTILISATION DE LA SÈCHEUSE</b> .....	<b>34</b>
Mise en marche de la sècheuse.....	34
Arrêt de la sècheuse.....	35
Pause ou remise en marche.....	35
Verrouillage des commandes.....	35
Conseils pour le séchage et les programmes.....	35
Témoins de l'état d'avancement.....	36
Programmes.....	36
Caractéristiques supplémentaires.....	37
Température.....	38
Grille de séchage.....	38
<b>ENTRETIEN DE LA SÈCHEUSE</b> .....	<b>39</b>
Nettoyage de l'emplacement de la sècheuse.....	39
Nettoyage du filtre à charpie.....	39
Nettoyage de l'intérieur de la sècheuse.....	40
Nettoyage de l'extérieur de la sècheuse.....	40
Retrait de la charpie accumulée.....	40
Précautions à prendre pour les vacances et avant un déménagement.....	40
<b>DÉPANNAGE</b> .....	<b>41</b>
<b>ASSISTANCE OU SERVICE</b> .....	<b>42</b>
<b>GARANTIE</b> .....	<b>43</b>

# DRYER SAFETY

## Your safety and the safety of others are very important.

We have provided many important safety messages in this manual and on your appliance. Always read and obey all safety messages.



This is the safety alert symbol.

This symbol alerts you to potential hazards that can kill or hurt you and others.

All safety messages will follow the safety alert symbol and either the word "DANGER" or "WARNING."

These words mean:

**⚠ DANGER**

You can be killed or seriously injured if you don't immediately follow instructions.

**⚠ WARNING**

You can be killed or seriously injured if you don't follow instructions.

All safety messages will tell you what the potential hazard is, tell you how to reduce the chance of injury, and tell you what can happen if the instructions are not followed.

**WARNING: For your safety, the information in this manual must be followed to minimize the risk of fire or explosion, or to prevent property damage, personal injury, or death.**

- Do not store or use gasoline or other flammable vapors and liquids in the vicinity of this or any other appliance.
- **WHAT TO DO IF YOU SMELL GAS:**
  - Do not try to light any appliance.
  - Do not touch any electrical switch; do not use any phone in your building.
  - Clear the room, building, or area of all occupants.
  - Immediately call your gas supplier from a neighbor's phone. Follow the gas supplier's instructions.
  - If you cannot reach your gas supplier, call the fire department.
- Installation and service must be performed by a qualified installer, service agency, or the gas supplier.

In the State of Massachusetts, the following installation instructions apply:

- Installations and repairs must be performed by a qualified or licensed contractor, plumber, or gasfitter qualified or licensed by the State of Massachusetts.
- If using a ball valve, it shall be a T-handle type.
- A flexible gas connector, when used, must not exceed 3 feet.

## IMPORTANT SAFETY INSTRUCTIONS

**WARNING:** To reduce the risk of fire, electric shock, or injury to persons when using the dryer, follow basic precautions, including the following:

- Read all instructions before using the dryer.
- Do not place items exposed to cooking oils in your dryer. Items contaminated with cooking oils may contribute to a chemical reaction that could cause a load to catch fire.
- Do not dry articles that have been previously cleaned in, washed in, soaked in, or spotted with gasoline, dry-cleaning solvents, or other flammable or explosive substances as they give off vapors that could ignite or explode.
- Do not allow children to play on or in the dryer. Close supervision of children is necessary when the dryer is used near children.
- Before the dryer is removed from service or discarded, remove the door to the drying compartment.
- Do not reach into the dryer if the drum is moving.
- Do not install or store the dryer where it will be exposed to the weather.
- Do not tamper with controls.
- Do not repair or replace any part of the dryer or attempt any servicing unless specifically recommended in this Use and Care Guide or in published user-repair instructions that you understand and have the skills to carry out.
- Do not use fabric softeners or products to eliminate static unless recommended by the manufacturer of the fabric softener or product.
- Do not use heat to dry articles containing foam rubber or similarly textured rubber-like materials.
- Clean lint screen before or after each load.
- Keep area around the exhaust opening and adjacent surrounding areas free from the accumulation of lint, dust, and dirt.
- The interior of the dryer and exhaust vent should be cleaned periodically by qualified service personnel.
- See installation instructions for grounding requirements.

## SAVE THESE INSTRUCTIONS

**IMPORTANT:** The gas installation must conform with local codes, or in the absence of local codes, with the National Fuel Gas Code, ANSI Z223.1/NFPA 54 or the Canadian Natural Gas and Propane Installation Code, CSA B149.1.

The dryer must be electrically grounded in accordance with local codes, or in the absence of local codes, with the National Electrical Code, ANSI/NFPA 70 or Canadian Electrical Code, CSA C22.1.

# INSTALLATION INSTRUCTIONS

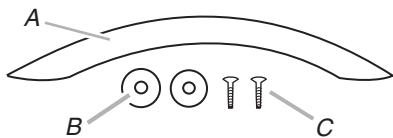
## Tools and Parts

Gather the required tools and parts before starting installation. Read and follow the instructions provided with any tools listed here.

- Flat-blade screwdriver
- #3 Phillips screwdriver
- 8" or 10" pipe wrench
- 8" or 10" adjustable wrench (for gas connections)
- 3/16" (14 mm) open-end wrench (for adjusting dryer feet)
- Level
- Vent clamps
- Caulking gun and compound (for installing new exhaust vent)
- Tin snips (new vent installations)
- 1/4" nut driver or socket wrench (recommended)
- Pipe-joint compound resistant to LP gas
- Pliers
- Tape measure

## Parts Supplied

Remove parts packages from dryer drum. Check that all parts are included.



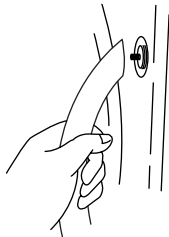
- A. Door handle
- B. Plastic washers (2)
- C. Screws (2)

## Remove Decorative Mat

Remove the optional decorative mat (included) from the top of the dryer and set aside.

## Attach Door Handle

1. Insert the 2 screws through the holes in the door.
2. Place the plastic washers onto the screws.
3. Attach the handle by hand tightening the screws, first the top then the bottom.



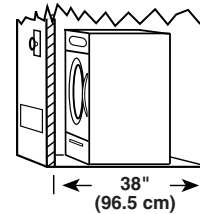
4. Push the handle against the door. Using a Phillips screwdriver, tighten the screws.

**NOTE:** Do not overtighten.

## Parts needed

Check local codes and with gas supplier. Check existing gas supply, electrical supply and venting. Read "Electrical Requirements," "Gas Supply Requirements" and "Venting Requirements" before purchasing parts.

- For close-clearance installations between 33" (83.8 cm) and 38" (96.5 cm), see "Plan Vent System" section for venting requirements.



Mobile home installations require metal exhaust system hardware available for purchase from the dealer from whom you purchased your dryer. For further information, please refer to the "Assistance or Service" section of this manual.

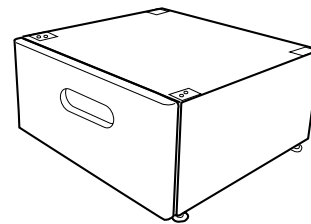
- Mobile Home Installation Kit. Ask for Part Number 346764.
- Metal exhaust system hardware.

## Options

### Pedestal

Are you placing the dryer on a pedestal? You may purchase a pedestal separately for this dryer. This pedestal will add about 11" (27.9 cm) to the height of your dryer for a total height of approximately 53" (134.6 cm).

For a garage installation, you will need to place the pedestal at least 7" (17.8 cm) above the floor.



Optional pedestal

To order, call the dealer from whom you purchased your dryer or refer to the "Assistance or Service" section of this manual. Ask for Part Number LAV2701RSS.

### Door Reversal Kit

Would you like to change your dryer door swing from a right-side opening to a left-side opening? To do so, you will need to purchase a Door Reversal Kit.

To order, call the dealer from whom you purchased your dryer or refer to the "Assistance or Service" section of this manual. Ask for Part Number 8182652.

## Location Requirements

### **⚠ WARNING**



#### Explosion Hazard

Keep flammable materials and vapors, such as gasoline, away from dryer.

Place dryer at least 18 inches (46 cm) above the floor for a garage installation.

Failure to do so can result in death, explosion, or fire.

#### You will need

- A location that allows for proper exhaust installation. Clothes dryers must be exhausted to the outdoors. See "Venting Requirements."
- A grounded electrical outlet located within 2 ft (61 cm) of either side of the dryer. See "Electrical Requirements."
- A sturdy floor to support the total dryer weight of 250 lbs (113.4 kg). The combined weight of accessories, clothes loads and companion appliances should also be considered.
- A level floor with a maximum slope of 1" (2.5 cm) under entire dryer. Clothes may not tumble properly and automatic sensor cycles may not operate correctly if dryer is not level.
- For a garage installation, you will need to place the dryer at least 18" (46 cm) above the floor. If using a pedestal, you will need an additional 7" (17.8 cm).

Do not operate your dryer at temperatures below 45°F (7°C). At lower temperatures, the dryer might not shut off at the end of an automatic cycle. This can result in longer drying times.

The dryer must not be installed or stored in an area where it will be exposed to water and/or weather.

Check code requirements. Some codes limit, or do not permit, installation of the dryer in garages, closets, mobile homes or sleeping quarters. Contact your local building inspector.

**NOTE:** No other fuel-burning appliance can be installed in the same closet as a dryer.

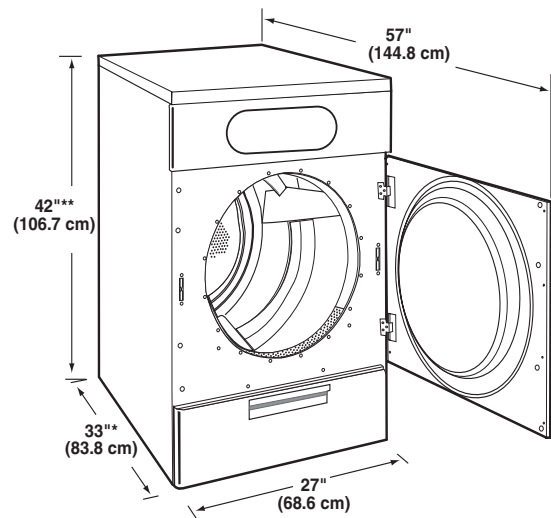
#### Installation spacing

The following spacing dimensions are recommended for this dryer. This dryer has been tested for spacing of 0" (0 cm) clearance on the sides, front and rear. Recommended spacing should be considered for the following reasons:

- The location must be large enough to allow the dryer door to open fully.
- Additional spacing should be considered for ease of installation and servicing.
- Additional clearances might be required for wall, door and floor moldings.
- Additional spacing should be considered on all sides of the dryer to reduce noise transfer.
- Companion appliance spacing should also be considered.

**NOTE:** This dryer cannot be stacked on the washer.

#### Dryer Dimensions

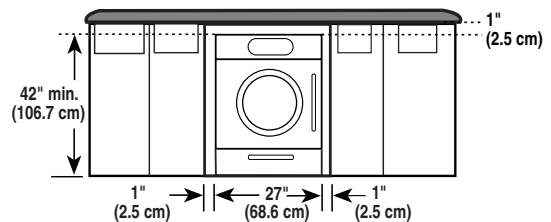


\*Includes the door handle

\*\*Includes the feet extended 1" (2.5 cm). The optional decorative mat (included) will add approximately 1/2" (1.3 cm) to the height.

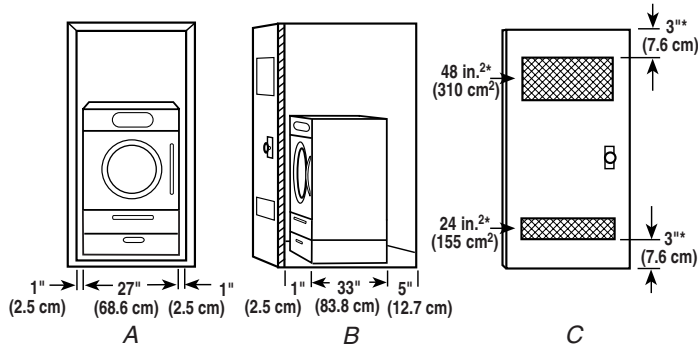
**NOTE:** Most installations require a minimum 5" (12.7 cm) clearance behind the dryer for the exhaust vent with elbow. See "Venting Requirements."

#### Recommended installation spacing for custom undercounter installation, dryer only



### Recommended installation spacing for recessed or closet installation, with or without a pedestal

- For closet installation, with a door, minimum ventilation openings in the top and bottom of the door are required. Louvered doors with equivalent ventilation openings are acceptable.

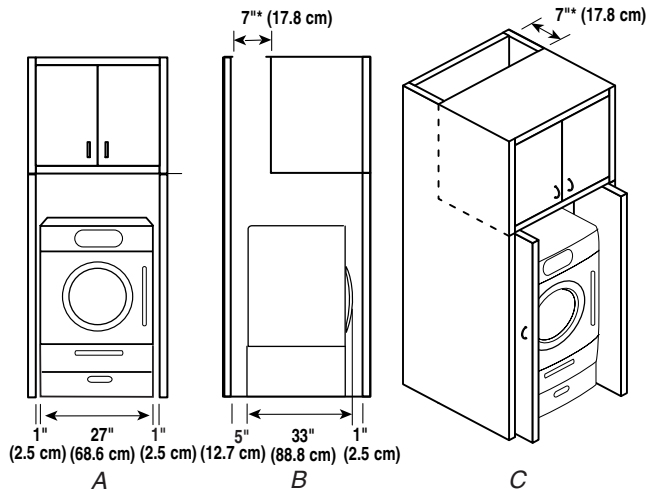


A. Front view  
B. Side view - closet or confined area  
C. Closet door with vents

\*Required spacing

### Recommended installation spacing for cabinet installation, with or without a pedestal

- For cabinet installation, with a door, minimum ventilation openings in the top of the cabinet are required.



A. Front view  
B. Side view  
C. Cabinet with vents

\*Required spacing

### Mobile home - Additional installation requirements

This dryer is suitable for mobile home installations. The installation must conform to the Manufactured Home Construction and Safety Standard, Title 24 CFR, Part 3280 (formerly the Federal Standard for Mobile Home Construction and Safety, Title 24, HUD Part 280) or Standard CAN/CSA-Z240 MH.

### Mobile home installations require:

- Metal exhaust system hardware, which is available for purchase from your dealer.
- Mobile home Installation Kit Part Number 346764. See "Tools and Parts" section for ordering information.
- Special provisions must be made in mobile homes to introduce outside air into the dryer. The opening (such as a nearby window) should be at least twice as large as the dryer exhaust opening.

## Electrical Requirements

### ! WARNING



### Electrical Shock Hazard

Plug into a grounded 3 prong outlet.

Do not remove ground prong.

Do not use an adapter.

Do not use an extension cord.

Failure to follow these instructions can result in death, fire, or electrical shock.

- 120 Volt, 60 Hz., AC only, 15- or 20-amp fused electrical supply is required. A time-delay fuse or circuit breaker is recommended. It is also recommended that a separate circuit serving only this dryer be provided.

### GROUNDING INSTRUCTIONS

- For a grounded, cord-connected dryer:  
This dryer must be grounded. In the event of malfunction or breakdown, grounding will reduce the risk of electric shock by providing a path of least resistance for electric current. This dryer is equipped with a cord having an equipment-grounding conductor and a grounding plug. The plug must be plugged into an appropriate outlet that is properly installed and grounded in accordance with all local codes and ordinances.

**WARNING:** Improper connection of the equipment-grounding conductor can result in a risk of electric shock. Check with a qualified electrician or service representative or personnel if you are in doubt as to whether the dryer is properly grounded. Do not modify the plug provided with the dryer: if it will not fit the outlet, have a proper outlet installed by a qualified electrician.

### SAVE THESE INSTRUCTIONS

## Gas Supply Requirements

### **! WARNING**



#### **Explosion Hazard**

**Use a new CSA International approved gas supply line.**

**Install a shut-off valve.**

**Securely tighten all gas connections.**

**If connected to LP, have a qualified person make sure gas pressure does not exceed 13" (33 cm) water column.**

**Examples of a qualified person include:**

**licensed heating personnel,  
authorized gas company personnel, and  
authorized service personnel.**

**Failure to do so can result in death, explosion, or fire.**

- Must include a shutoff valve:

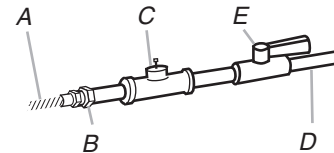
#### **In the U.S.A.:**

An individual manual shutoff valve must be installed within six (6) feet (1.8 m) of the dryer in accordance with the National Fuel Gas Code, ANSI Z223.1.

#### **In Canada:**

An individual manual shutoff valve must be installed in accordance with the B149.1, Natural Gas and Propane Installation Code. It is recommended that an individual manual shutoff valve be installed within six (6) feet (1.8 m) of the dryer.

The location should be easy to reach for opening and closing.



- A.  $\frac{3}{8}$ " flexible gas connector
- B.  $\frac{3}{8}$ " pipe to flare adapter fitting
- C.  $\frac{1}{8}$ " NPT minimum plugged tapping
- D.  $\frac{1}{2}$ " NPT gas supply line
- E. Gas shutoff valve

### **Gas Type**

#### **Natural gas:**

This dryer is equipped for use with Natural gas. It is design-certified by CSA International for LP (propane or butane) gases with appropriate conversion.

- Your dryer must have the correct burner for the type of gas in your home. Burner information is located on the rating plate in the door well of your dryer. If this information does not agree with the type of gas available, contact your dealer or call the phone numbers referenced in the "Assistance or Service" section of this manual.

#### **LP gas conversion:**

**Conversion must be made by a qualified technician.**

No attempt shall be made to convert the appliance from the gas specified on the model/serial rating plate for use with a different gas without consulting your gas company.

### **Gas supply line**

- Must include  $\frac{1}{8}$ " NPT minimum plugged tapping accessible for test gauge connection, immediately upstream of the gas connection to the dryer (see illustration).
- $\frac{1}{2}$ " IPS pipe is recommended.
- $\frac{3}{8}$ " approved aluminum or copper tubing is acceptable for lengths under 20 ft (6.1 m) if local codes and gas supplier permit.
- If you are using Natural gas, do not use copper tubing.
- Lengths over 20 ft (6.1 m) should use larger tubing and a different size adapter fitting.
- If your dryer has been converted to use LP gas,  $\frac{3}{8}$ " LP compatible copper tubing can be used. If the total length of the supply line is more than 20 ft (6.1 m), use larger pipe.

**NOTE:** Pipe-joint compounds that resist the action of LP gas must be used. Do not use TEFLON<sup>®†</sup> tape.

### **Gas supply connection requirements**

- Use an elbow and a  $\frac{3}{8}$ " flare x  $\frac{3}{8}$ " NPT adapter fitting between the flexible gas connector and the dryer gas pipe, as needed to avoid kinking.
- Use only pipe-joint compound. Do not use TEFLON<sup>®†</sup> tape.
- This dryer must be connected to the gas supply line with a listed flexible gas connector that complies with the standard for connectors for gas appliances, ANSI Z21.24.

### **Burner input requirements**

#### **Elevations above 2,000 ft (600 m):**

- When installed above 2,000 ft (600 m) a 4% reduction of the burner Btu rating shown on the model/serial number plate is required for each 1,000 ft (300 m) above sea level.

### **Gas supply pressure testing**

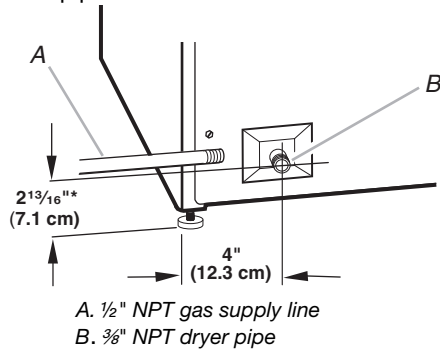
- The dryer must be disconnected from the gas supply piping system during pressure testing at pressures greater than  $\frac{1}{2}$  psi.

†TEFLON is a registered trademark of E.I. Du Pont De Nemours and Company.



## Dryer gas pipe

- The gas pipe that comes out through the rear of your dryer has a  $\frac{3}{8}$ " male pipe thread.



**\*NOTE:** If the dryer is mounted on a pedestal, the gas pipe height must be an additional 11" (28 cm) from the floor. For a garage installation, the gas pipe height must be an additional 18" (46 cm) from the floor.

## Venting Requirements

### ⚠ WARNING



#### Fire Hazard

**Use a heavy metal vent.**

**Do not use a plastic vent.**

**Do not use a metal foil vent.**

**Failure to follow these instructions can result in death or fire.**

**WARNING:** To reduce the risk of fire, this dryer **MUST BE EXHAUSTED OUTDOORS.**

**IMPORTANT:** Observe all governing codes and ordinances.

The dryer exhaust must not be connected into any gas vent, chimney, wall, ceiling or a concealed space of a building.

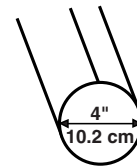
### If using an existing vent system

- Clean lint from the entire length of the system and make sure exhaust hood is not plugged with lint.
- Replace any plastic or metal foil vent with rigid metal vent.
- Review Vent system charts. Modify existing vent system if necessary to achieve the best drying performance.

### If this is a new vent system

#### Vent material

- Use a heavy metal vent. Do not use plastic or metal foil vent.
- 4" (10.2 cm) heavy metal exhaust vent and clamps must be used. DURASAFE™ venting products are recommended.



4" (10.2 cm) heavy metal exhaust vent

DURASAFE™ vent products can be purchased from your dealer or by calling Whirlpool Parts and Accessories. For more information, see the "Assistance or Service" section of this manual.

#### Rigid metal vent

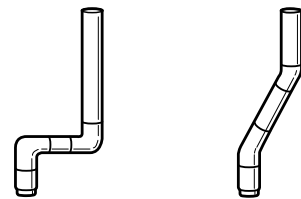
- For best drying performance, rigid metal vents are recommended.
- Rigid metal vent is recommended to avoid crushing and kinking.

#### Flexible metal vent

- Flexible metal vents are acceptable only if accessible for cleaning and the total length does not exceed 8 ft (2.4 m).
- Flexible metal vent must be fully extended and supported when the dryer is in its final location.
- Remove excess flexible metal vent to avoid sagging and kinking that may result in reduced airflow and poor performance.
- Do not install flexible metal vent in enclosed walls, ceilings or floors.

#### Elbows

45° elbows provide better airflow than 90° elbows.

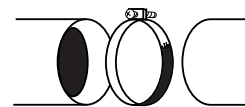


Good

Better

#### Clamps

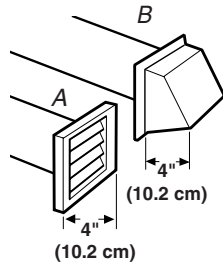
- Use clamps to seal all joints.
- Exhaust vent must not be connected or secured with screws or other fastening devices that extend into the interior of the duct. Do not use duct tape.



Clamp

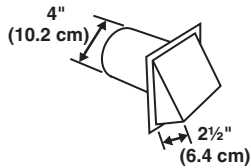
## Exhaust

Recommended hood styles are shown here.



A. Louvered hood style  
B. Box hood style

The angled hood style (shown here) is acceptable.



- An exhaust hood should cap the vent to keep rodents and insects from entering the home.
- Exhaust hood must be at least 12" (30.5 cm) from the ground or any object that may be in the path of the exhaust (such as flowers, rocks or bushes, snow line, etc.).
- Do not use an exhaust hood with a magnetic latch.

### Improper venting can cause moisture and lint to collect indoors, which may result in:

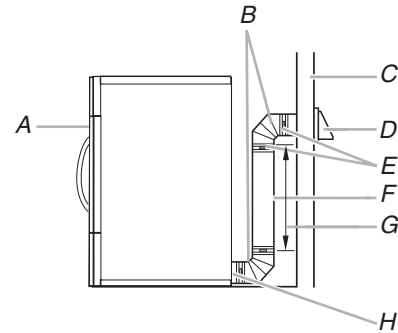
- Moisture damage to woodwork, furniture, paint, wallpaper, carpets, etc.
- Housecleaning problems and health problems.

## Plan Vent System

### Choose your exhaust installation type

#### Recommended exhaust installations

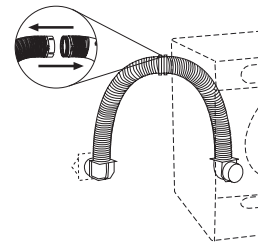
This dryer vents from the rear of the dryer.



A. Dryer  
B. Elbow  
C. Wall  
D. Exhaust hood  
E. Clamps  
F. Rigid metal or flexible metal vent  
G. Vent length necessary to connect elbows  
H. Exhaust outlet

#### Alternate installations for close clearances

Venting systems come in many varieties. Select the type best for your installation. One close-clearance installation is shown. Refer to the manufacturer's instructions. Refer to Vent system chart 2 for vent length and elbows needed for best drying performance.



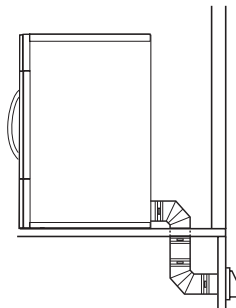
Over-the-top installation (also available with one offset elbow)

**NOTE:** The following kit for close clearance alternate installations is available for purchase. Please see the "Assistance or Service" section of this manual to order.

- Over-the-Top Installation:  
Part Number 4396028

#### Special provisions for mobile home installations

The exhaust vent must be securely fastened to a noncombustible portion of the mobile home structure and must not terminate beneath the mobile home. Terminate the exhaust vent outside.



## Determine vent path

- Select the route that will provide the straightest and most direct path outdoors.
- Plan the installation to use the fewest number of elbows and turns.
- When using elbows or making turns, allow as much room as possible.
- Bend vent gradually to avoid kinking.
- Use the fewest 90° turns possible.

## Determine vent length and elbows needed for best drying performance

- Use one of the following Vent system charts to determine type of vent material and hood combinations acceptable to use.

**NOTE:** Do not use vent runs longer than those specified in the Vent system charts. Exhaust systems longer than those specified will:

- Shorten the life of the dryer.
- Reduce performance, resulting in longer drying times and increased energy usage.

The Vent system charts provide venting requirements that will help to achieve the best drying performance.

### Vent system chart 1 - rigid metal vent only

Number of 90° turns or elbows	Type of vent	Box or louvered hoods	Angled hoods
0	Rigid metal	174 ft (53.0 m)	168 ft (51.2 m)
1	Rigid metal	164 ft (50.0 m)	158 ft (48.0 m)
2	Rigid metal	154 ft (46.9 m)	148 ft (45.1 m)
3	Rigid metal	145 ft (44.2 m)	139 ft (42.4 m)
4	Rigid metal	137 ft (41.8 m)	131 ft (39.9 m)

### Vent system chart 2 - rigid metal vent used with a maximum of 8 ft (2.4 m) flexible metal vent

Number of 90° turns or elbows	Type of vent	Box or louvered hoods	Angled hoods
0	Rigid metal	144 ft (43.9 m)	138 ft (42.1 m)
1	Rigid metal	134 ft (40.8 m)	128 ft (39.0 m)
2	Rigid metal	125 ft (38.1 m)	119 ft (36.3 m)
3	Rigid metal	117 ft (35.7 m)	111 ft (33.8 m)

## Install Vent System

### ⚠ WARNING

#### Excessive Weight Hazard

**Use two or more people to move and install dryer.  
Failure to do so can result in back or other injury.**

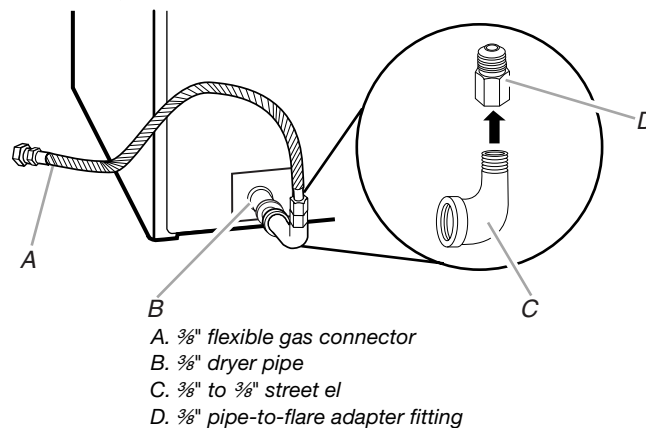
1. Position the dryer so that the rear of the dryer is within 4 ft (1.2 m) of its final location.
2. Install exhaust hood. Use caulking compound to seal exterior wall opening around exhaust hood.
3. Connect vent to exhaust hood. Vent must fit inside exhaust hood. Secure vent to exhaust hood with 4" (10.2 cm) clamp.
4. Run vent to dryer location. Use the straightest path possible. See "Determine vent path" in "Plan Vent System." Avoid 90° turns. Use clamps to seal all joints. Do not use duct tape, screws or other fastening devices that extend into the interior of the vent to secure vent.

## Make Gas Connection

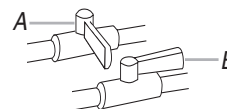
1. Remove the blue cap from the gas pipe. Move the dryer close to its final location.
2. Using a wrench to tighten, connect the gas supply to the dryer. Use pipe-joint compound on all non-flared male threads. If flexible metal tubing is used, be sure there are no kinks.

**NOTE:** For LP gas connections, you must use pipe-joint compound resistant to the action of LP gas. Do not use TEFLON<sup>®†</sup> tape.

A combination of pipe fittings must be used to connect the dryer to the existing gas line. Shown following is a recommended connection. Your connection may be different, according to the supply line type, size and location.



3. Open the shutoff valve in the supply line. The valve is open when the handle is parallel to the gas pipe.



A. Closed valve  
B. Open valve

4. Test all connections by brushing on an approved noncorrosive leak-detection solution. Bubbles will show a leak. Correct any leak found.

†TEFLON is a registered trademark of E.I. Du Pont De Nemours and Company.

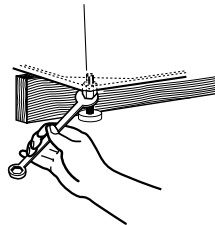
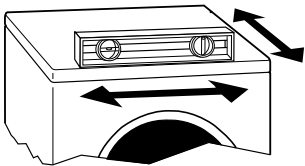
## Connect Vent

1. Using a 4" (10.2 cm) clamp, connect vent to exhaust outlet in dryer. If connecting to existing vent, make sure the vent is clean. The dryer vent must fit over the dryer exhaust outlet and inside the exhaust hood. Check that the vent is secured to exhaust hood with a 4" (10.2 cm) clamp.
2. Move dryer into its final location. Do not crush or kink vent.
3. Check that there are no kinks in the flexible gas line.

## Level Dryer

All four dryer feet were preset to the same height at the factory.

1. Using a  $\frac{9}{16}$ " (14 mm) open-end wrench, verify that the nuts on the two rear preset feet are tightened against the cabinet.
2. Slide the dryer to its final location.
3. Check the levelness of the dryer. Check levelness first side to side, then front to back.



4. If the dryer is not level, move the dryer slightly away from the wall and first prop the front with a wood block and adjust the feet as necessary; then prop the back and adjust feet as necessary. Repeat this step until dryer is level.
5. After the dryer is level, use a  $\frac{9}{16}$ " (14 mm) open-end wrench to turn the nuts on the feet tightly against the dryer cabinet.

## Complete Installation

1. Check that all parts are now installed. If there is an extra part, go back through the steps to see which step was skipped.
2. Check that you have all of your tools.
3. Check the dryer's final location. Be sure the vent is not crushed or kinked.
4. Check that the dryer is level. See "Level Dryer."

### **⚠ WARNING**



#### **Electrical Shock Hazard**

**Plug into a grounded 3 prong outlet.**

**Do not remove ground prong.**

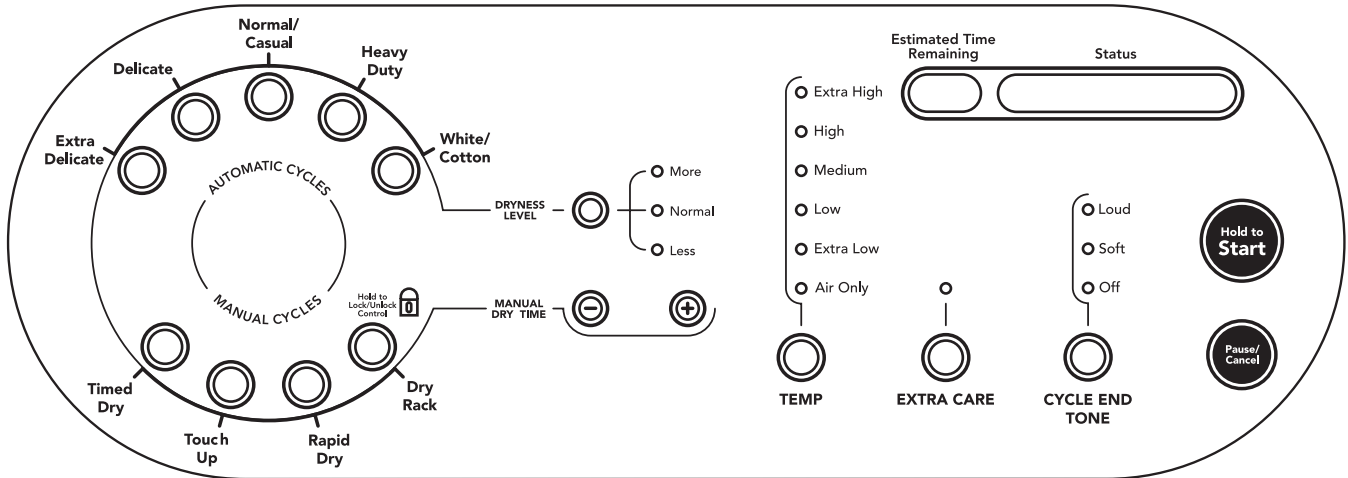
**Do not use an adapter.**

**Do not use an extension cord.**

**Failure to follow these instructions can result in death, fire, or electrical shock.**

5. Plug into a grounded 3 prong outlet. Turn on power.
6. Remove any protective film or tape remaining on the dryer.
7. Dispose of/recycle all packaging materials.
8. Set the decorative mat in place on top of the dryer, if desired.  
**NOTE:** Check that the top of the dryer and the bottom of the mat are clean.
9. Read "Dryer Use."
10. Wipe the dryer drum interior thoroughly with a damp cloth to remove any dust.
11. Select a Timed Dry heated cycle, and start the dryer. Do not select the Air Only Temperature setting.  
**If the dryer will not start, check the following:**
  - Dryer is plugged into a grounded 3 prong outlet.
  - Electrical supply is connected.
  - Household fuse is intact and tight, or circuit breaker has not tripped.
  - Dryer door is closed.
12. When the dryer has been running for 5 minutes, open the dryer door and feel for heat. If you feel heat, cancel cycle and close door. If you do not feel heat, turn off the dryer and check that the gas supply line shutoff valve is open.
  - If the gas supply line shutoff valve is closed, open it, then repeat the 5-minute test as outlined above.
  - If the gas supply line shutoff valve is open, contact a qualified technician.

# DRYER USE



## Starting Your Dryer

### ⚠ WARNING



#### Explosion Hazard

Keep flammable materials and vapors, such as gasoline, away from dryer.

Do not dry anything that has ever had anything flammable on it (even after washing).

Failure to follow these instructions can result in death, explosion, or fire.

### ⚠ WARNING



#### Fire Hazard

No washer can completely remove oil.

Do not dry anything that has ever had any type of oil on it (including cooking oils).

Items containing foam, rubber, or plastic must be dried on a clothesline or by using an Air Cycle.

Failure to follow these instructions can result in death or fire.

Follow these basic steps to start your dryer. Please refer to specific sections of this manual for more detailed information.

1. Clean lint screen before each load. See "Cleaning the Lint Screen."
2. Place laundry into dryer and shut door.
3. Select either an Automatic or Manual cycle by pressing the desired cycle button. The preset settings and drying time for the chosen cycle will be displayed.

#### To use an Automatic Cycle

- Select an Automatic Cycle.
- Select DRYNESS LEVEL to adjust how dry you want the load. As the cycle runs, the control senses the dryness of the load and adjusts the time automatically for the selected dryness level.

#### To make changes during an Automatic Cycle:

- Press PAUSE/CANCEL once.
- Adjust Dryness Level.

**NOTE:** Dryness Level selections can be made only while using Automatic Cycles. Selecting More or Less automatically adjusts the sensed time needed.



## To use a Manual Cycle

- Select a Manual Cycle.
- Press the plus (+) or minus (-) key until the desired drying time is displayed. Press plus (+) or minus (-) and the time will change by 1-minute intervals. Press and hold plus (+) or minus (-) and the time will change by 5-minute intervals.

**NOTE:** The plus (+) or minus (-) features can be used only with Manual Cycles.



- Press TEMP until the desired temperature illuminates.

**NOTE:** During a Manual Cycle, you can change the settings for Time, Temperature, Extra Care and Cycle End Tone signal. Press PAUSE/CANCEL twice to stop the dryer and clear the settings. Select another cycle or option.

- (OPTIONAL STEP) If desired, set the Cycle End Tone signal. Select LOUD or SOFT to alert you when a cycle ends.
- Press and hold START for approximately 3 seconds until dryer starts. Be sure the door is closed.
  - If you do not press Start within 5 minutes of selecting the cycle, the dryer automatically shuts off.
  - If you wish to end your drying cycle after pressing Start, press PAUSE/CANCEL twice.

## Stopping Your Dryer

### To stop your dryer at any time

Press PAUSE/CANCEL twice or open the door.

## Pausing or Restarting

### To pause the dryer at any time

Open the door or press PAUSE/CANCEL once.

### To restart the dryer

Close the door. Press and hold START until dryer starts.

**NOTE:** Drying will continue from where the cycle was interrupted if you close the door and press Start within 5 minutes. If the cycle is interrupted for more than 5 minutes, the dryer will shut off. Select new cycle settings before restarting the dryer.

## Control Locked

This feature allows you to lock your settings to avoid unintended use of the dryer. You can also use the Control Locked feature to avoid unintended cycle or option changes during dryer operation.

### To enable the Control Locked feature when dryer is running:

Press and hold the DRY RACK button for 3 seconds. The control is locked when a single beep is heard and the Control Locked icon is displayed in the status window. The icon is located next to the Dry Rack button and will illuminate when control locked.

- When the dryer is off, it is not necessary to turn the control on before activating the Control Locked feature.

### To unlock:

Press and hold the DRY RACK button for 3 seconds to turn off this feature.

**NOTE:** When the dryer is running and Control Locked is on, the dryer can be stopped by pressing the PAUSE/CANCEL button, but can't be restarted until the control is unlocked.

## Drying and Cycle Tips

Select the correct cycle and dryness level or temperature for your load. If an Automatic Cycle is running, the display shows the estimated cycle time when your dryer is automatically sensing the dryness level of your load. If a Manual Cycle is running, the display shows the exact number of minutes remaining in the cycle.

Cool Down tumbles the load without heat during the last few minutes of all cycles. Cool Down makes the loads easier to handle and reduces wrinkling. The length of the Cool Down depends on the load size and dryness level.

### Drying tips

- Follow care label directions when they are available.
- Remove the load from the dryer as soon as tumbling stops to reduce wrinkling. This is especially important for permanent press, knits and synthetic fabrics.
- Avoid drying heavy work clothes with lighter fabrics. This could cause overdrying of lighter fabrics, leading to increased shrinkage or wrinkling.

### Cycle tips

- Dry most loads using the preset cycle settings.
- Refer to the Automatic or Manual Preset Cycle Settings chart (in the "Cycles" section) for a guide to drying various loads.
  - Drying temperature and Dryness Level are preset when you choose an Automatic Cycle. You can choose a different dryness level, depending on your load by pressing the DRYNESS LEVEL button to select MORE or LESS.
  - If you wish to adjust the cycle length of a Manual Cycle, you must press plus (+) or minus (-) buttons. Adjust the temperature of a Manual Cycle by pressing TEMP until the desired temperature is selected.

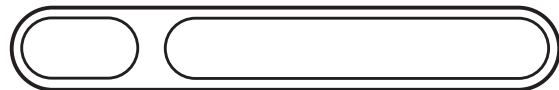
**NOTE:** You cannot choose a Dryness Level with Manual Cycles.

## Status Display

Messages on the status display help you to follow the progress of your dryer.

Estimated Time Remaining

Status



### Wet

WET is displayed at the beginning of the Automatic or Manual Cycle if a wet item is detected.

- In an Automatic Cycle, if a wet item is not detected after 5 minutes, the dryer goes directly into Cool Down. COOL DOWN will be displayed, along with EXTRA CARE, if selected.
- In a Manual Cycle, if a wet item is not detected, the dryer will continue to run for the length of time selected, but WET will not be displayed.

### Damp

DAMP is displayed if the load has reached the damp dry level.

**NOTE:** DAMP will not be displayed with Manual Cycles.

## Cool Down

COOL DOWN is displayed during the cool down part of the cycle. Laundry cools for ease in handling.

## Cycle Complete

CYCLE COMPLETE is displayed when a drying cycle is finished. If the Extra Care feature is selected, EXTRA CARE will also be displayed.

The Cycle Complete display turns off 1 hour after the end of a drying cycle, when PAUSE/CANCEL is pressed, or when the door is opened. If the Extra Care feature is selected, the Cycle Complete display will remain on 1 hour after the Extra Care cycle stops.

## Extra Care

EXTRA CARE is displayed when this option is selected. This display stays on with the Cycle Complete display. See "Additional Features."

## Check Lint Screen

The Check Lint Screen display reminds you to check the lint screen. CHECK LINT SCREEN is displayed when the machine is turned on. The message turns off when the lint screen is opened and cleaned, Start is pressed, or after 5 minutes have elapsed.

## Control Locked

A lock icon will be displayed in the Status window when this option is enabled.

## Indicator lights

Other indicator lights on the control panel show Cycle, Temperature and Cycle End Tone settings selected.

The Status display shows the estimated or actual time remaining in a cycle.

## Insert Lint Screen

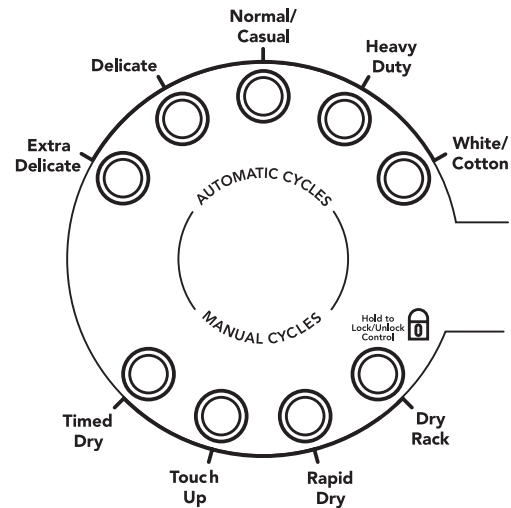
If the lint screen is opened while the dryer is running, the dryer will pause and the message INSERT LINT SCREEN will be displayed. Once the lint screen is inserted, PRESS START will be displayed.

## Insert Dry Rack

After selecting the Dry Rack cycle, if no drying rack is in the dryer, the machine will beep three times and INSERT DRY RACK will be displayed.

## Cycles

Select the drying cycle that matches the type of load you are drying. See Automatic or Manual Preset Cycle Settings charts.



## AUTOMATIC CYCLES

Automatic Cycles allow you to match the cycle to the load you are drying. See the following "Automatic Preset Cycle Settings" chart. Each cycle dries certain fabrics at the recommended temperature. A sensor detects the moisture in the load and automatically adjusts the drying time for optimal drying.

### White/Cotton

Use this cycle to get High heat for cotton towels, sheets or work clothes.

### Heavy Duty

Use this cycle to get High heat for heavyweight mixed loads, as well as bulky items including bedspreads.

### Normal/Casual

Use this cycle to get Medium heat for drying sturdy fabrics such as sport shirts, casual business clothes and permanent press blends.

### Delicate

Use this cycle to get Low heat for drying synthetic fabrics, washable knit fabrics and no-iron finishes.

### Extra Delicate

Use this cycle to get Extra Low heat to gently dry items such as lingerie, exercise wear or sheer curtains.

## Automatic Preset Cycle Settings

Automatic Cycles Load Type	Temp.	Time* (Minutes)
<b>WHITE/COTTON</b> Towels, sheets, work clothes	High	41
<b>HEAVY DUTY</b> Heavyweight mixed loads, bulky items	High	44
<b>NORMAL/CASUAL</b> Corduroys, permanent press	Medium	36
<b>DELICATE</b> Lingerie, blouses	Low	32
<b>EXTRA DELICATE</b> Exercise wear, sheer curtains, lace	Extra Low	22

\*Estimated Time with Automatic Level (Normal) setting.

## MANUAL CYCLES

Use Manual Cycles to select a specific amount of drying time and a drying temperature. When a Manual Cycle is selected, the Estimated Time Remaining display shows the actual time remaining in your cycle. You can change the actual time in the cycle by pressing plus (+) or minus (-). See "Starting Your Dryer."

### Timed Dry

Use this cycle to complete drying if items are still damp after an Automatic Cycle. Timed Dry is also useful for drying heavyweight and bulky items such as bedspreads and work clothes.

### Touch Up

Use this cycle to help smooth out wrinkles from such items as clothes packed in a suitcase or items wrinkled from being left in the dryer too long.

### Rapid Dry

Use this cycle for drying small loads or loads that need a short drying time.

### Dry Rack

Use this cycle with the drying rack to dry clothes without tumbling. See "Drying Rack."

## Manual Preset Cycle Settings

Manual Cycles Load Type	Temp.	Default Time (Minutes)
<b>TIMED DRY</b> Heavyweight, bulky items, bedspreads, work clothes	High	40
<b>TOUCH UP</b> Remove wrinkles	Medium	20
<b>RAPID DRY</b> Small loads	Medium	27
<b>DRY RACK</b> Dry without tumbling	Low*	60

\*Use Air Only for items that require drying without heat such as rubber, plastic and heat-sensitive fabrics.

## Additional Features

### Extra Care

Extra Care helps keep wrinkles from forming when you cannot unload the dryer promptly at the end of a cycle. During this option, the dryer stops tumbling and then tumbles again for a brief period. A signal will sound periodically when the Extra Care feature is on, if the Cycle End Tone option is selected.

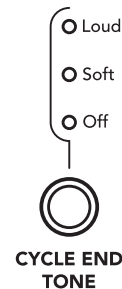
- Press Extra Care to get up to 2.5 hours of heat-free, periodic tumbling at the end of a cycle.
- Stop Extra Care at any time by pressing Extra Care or opening the dryer door.
- For the Normal/Casual Automatic Cycle, Extra Care is preset to on. The other Automatic Cycles will retain the Extra Care setting. For example, if you select Extra Care in the Delicate cycle, Extra Care will be on the next time you select the Delicate cycle.

**NOTE:** If you do not select Extra Care, the dryer stops after cool down.

### Cycle End Tone

If the Cycle End Tone option is selected, a signal will sound when a cycle is complete. If the Extra Care feature is selected, the signal sounds every few minutes. The signal stops when you open the door.

Press the CYCLE END TONE key to select a Soft or Loud signal or to turn the signal off.



### Sound System

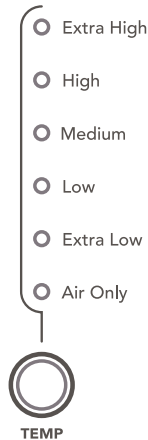
The WHISPER QUIET™ sound insulation system helps to maintain a quiet home environment during dryer operation.

**NOTE:** If you do not load clothes properly, the quiet operation of your dryer could be affected.



## Temperature

Use these settings to select temperatures for the Manual Cycles. Press the TEMP key until the desired temperature setting glows. Temperature settings cannot be used with the Automatic Cycles.



### Air Only

Use Air Only for items that require drying without heat such as rubber, plastic and heat-sensitive fabrics. This table shows examples of items that can be dried using Air Only.

Type of Load	Time* (Minutes)
Foam rubber - pillows, padded bras, stuffed toys	20 - 30
Plastic - Shower curtains, tablecloths	20 - 30
Rubber-backed rugs	40 - 50
Olefin, polypropylene, sheer nylon	10 - 20

\*Reset cycle to complete drying, if needed.

### When using Air Only

- Check that coverings are securely stitched.
- Shake and fluff pillows by hand periodically during the cycle.
- Dry item completely. Foam rubber pillows are slow to dry.

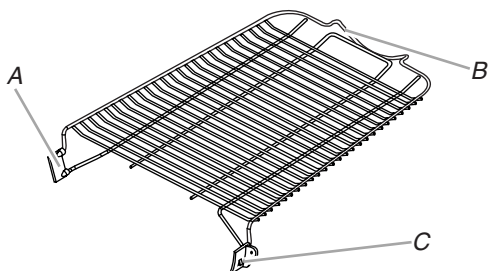
**NOTE:** Air Only is not available with Automatic Cycles.

## Drying Rack

The drying rack is useful for drying items you would not necessarily want to tumble dry or that you would normally line dry (for example, sweaters). The drying rack can be used only with the Dry Rack cycle. During this cycle, the dryer drum will not rotate.

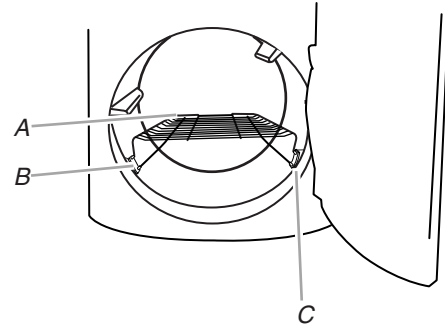
### To use the drying rack

1. Open dryer door.



A. Front feet  
B. Back wire  
C. Locator tabs

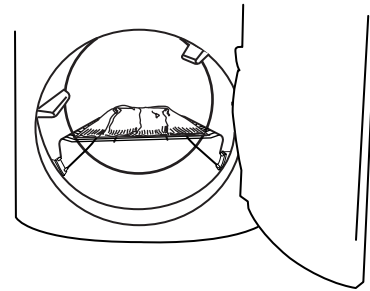
2. Place drying rack inside dryer drum, positioning the back wire on the ledge of the inner dryer back panel. Push down on front feet of drying rack, at the same time, aligning the locator tabs with the locator indentations in the dryer drum.



A. Dryer back panel  
B. Locator tabs  
C. Locator indentations (inside dryer drum)

3. Put the wet items on top of the rack. Leave space between the items so air can reach all the surfaces.

**NOTE:** Do not allow items to hang over the edge of the rack.



4. Close the door.
5. Select Dry Rack cycle. Items containing foam, rubber or plastic must be dried on a clothesline or by using the Air Only temperature setting.
6. You must select a time by pressing the MANUAL DRY TIME (- or +) buttons. Reset time as needed to complete drying. Refer to the following table.
7. Press and hold START button (about 1 second).

**NOTE:** You must remove rack for normal tumbling. Do not use automatic cycles with the drying rack.

This chart shows examples of items that can be rack dried and the suggested temperature setting and drying time. Actual drying time will depend on the amount of moisture items hold.

Rack Dry	Temp.	Time*
<b>Wool Sweaters</b> Block to shape and lay flat on the rack	Low	60
<b>Stuffed toys or pillows</b> Cotton or polyester fiber filled	Low	60
<b>Stuffed toys or pillows</b> Foam rubber filled	Air Only (no heat)	90
<b>Sneakers or canvas shoes</b>	Air Only (no heat)	90

\*(Minutes) Reset time to complete drying, if needed.

# DRYER CARE

## Cleaning the Dryer Location

Keep dryer area clear and free from items that would obstruct the flow of combustion and ventilation air.

### **! WARNING**



#### Explosion Hazard

Keep flammable materials and vapors, such as gasoline, away from dryer.

Place dryer at least 18 inches (46 cm) above the floor for a garage installation.

Failure to do so can result in death, explosion, or fire.

## Cleaning the Lint Screen

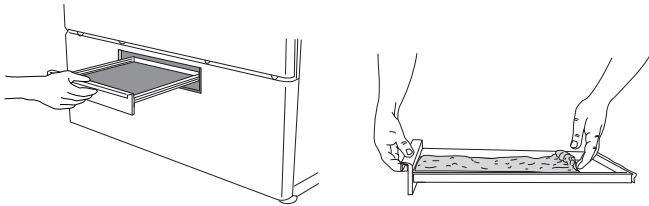
### Every load cleaning

The lint screen is located on the front of the dryer, below the door. A reminder to CLEAN LINT SCREEN is displayed in the status display window. A screen blocked by lint can increase drying time.

### To clean

1. Pull the lint screen straight out. Roll lint off the screen with your fingers. Do not rinse or wash screen to remove lint. Wet lint is hard to remove.

**NOTE:** To completely remove the lint screen, depress the tab.



2. Push the lint screen firmly back into place.

### IMPORTANT:

- Do not run the dryer with the lint screen loose, damaged, blocked, or missing. Doing so can cause overheating and damage to both the dryer and fabrics.
- If lint falls off the screen into the dryer during removal, check the exhaust hood and remove the lint. See "Venting Requirements."

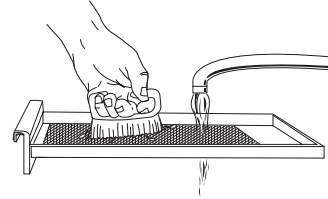
### As needed cleaning

Laundry detergent and fabric softener residue can build up on the lint screen. This buildup can cause longer drying times for your clothes, or cause the dryer to stop before your load is completely dry. The screen is probably clogged if lint falls off the screen.

Clean the lint screen with a nylon brush every 6 months, or more frequently, if it becomes clogged due to a residue buildup.

### To wash

1. Roll lint off the screen with your fingers.
2. Wet both sides of lint screen with hot water.
3. Wet a nylon brush with hot water and liquid detergent. Scrub lint screen with the brush to remove residue buildup.



4. Rinse screen with hot water.
5. Thoroughly dry lint screen with a clean towel. Replace screen in dryer.

## Cleaning the Dryer Interior

### To clean dryer drum

1. Make a paste with powdered laundry detergent and very warm water.
2. Apply paste to a soft cloth.

### OR

Apply a liquid, nonflammable household cleaner to the stained area and rub with a soft cloth until all excess dye is removed.

3. Wipe drum thoroughly with a damp cloth.
4. Tumble a load of clean cloths or towels to dry drum.

**NOTE:** Garments that contain unstable dyes, such as denim blue jeans or brightly colored cotton items, may discolor the dryer interior. These stains are not harmful to your dryer and will not stain future loads of clothes. Dry unstable dye items inside out to avoid dye transfer.

## Cleaning the Dryer Exterior

To avoid damaging the exterior finish, do not use soap-filled scouring pads, abrasive cleaners, steel-wool pads, gritty washcloths or some paper towels on stainless steel surfaces.

- To clean the stainless steel surfaces of the dryer, use the stainless steel wipes. Rub in the direction of the grain.
- To clean the optional decorative mat, remove it from the top of the dryer, and clean both sides with an all-purpose cleaner. Rinse with water and dry with a soft, lint-free cloth. Place it back on the top of the dryer.

---

## Removing Accumulated Lint

### From Inside the Dryer Cabinet

Lint should be removed every 2 years, or more often, depending on dryer usage. Cleaning should be done by a qualified person.

### From the Exhaust Vent

Lint should be removed every 2 years, or more often, depending on dryer usage.

---

## Vacation and Moving Care

### Vacation care

Operate your dryer only when you are at home. If you will be on vacation or not using your dryer for an extended period of time, you should:

1. Unplug dryer or disconnect power.
2. Close shutoff valve in gas supply line.
3. Wash lint screen.

### Moving care

1. Unplug the power supply cord.
2. Close shutoff valve in gas supply line.
3. Disconnect gas supply line pipe and remove fittings attached to dryer pipe.
4. Cap the open fuel supply line.
5. Use masking tape to secure dryer door and lint screen door.

---

# TROUBLESHOOTING

First try the solutions suggested here and possibly avoid the cost of a service call...

---

## Dryer Operation

---

### Dryer will not run

- **Has a household fuse blown, or has a circuit breaker tripped?**  
Replace the fuse or reset the circuit breaker. If the problem continues, call an electrician.
- **Was a regular fuse used?**  
Use a time-delay fuse.
- **Is the dryer door firmly closed?**
- **Was the Start button firmly pressed?**  
Large loads may require pressing and holding the Start button for at least 1 second.

---

### No heat

- **Has a household fuse blown, or has a circuit breaker tripped?**  
The drum may be turning, but you may not have heat. Replace the fuse or reset the circuit breaker. If the problem continues, call an electrician.
- **Is the valve open on the gas supply line?**

---

### Unusual sounds

- **Has the dryer had a period of non-use?**  
If the dryer hasn't been used for a while, there may be a thumping sound during the first few minutes of operation.
- **Is it a gas dryer?**  
The gas valve clicking is a normal operating sound.
- **Is a coin, button, or paper clip caught between the drum and front or rear of the dryer?**  
Check the front and rear edges of the drum for small objects. Clean out pockets before laundering.
- **Are the four legs installed, and is the dryer level front to back and side to side?**  
The dryer may vibrate if not properly installed. See the Installation Instructions.

- **Is the clothing knotted or balled up?**  
When balled up, the load will bounce, causing the dryer to vibrate. Separate the load items and restart the dryer.

---

### Dryer displaying code message

- **"PF" (power failure), check the following:**  
Was the drying cycle interrupted by a power failure? Press and hold START to restart the dryer.
- **"E" Variable (E1, E2, E3) service codes:**  
Call for service.

---

## Dryer Results

---

### Clothes are not drying satisfactorily, drying times are too long, or load is too hot

- **Is the lint screen clogged with lint?**  
Lint screen should be cleaned before each load.

## WARNING



### Fire Hazard

**Use a heavy metal vent.**

**Do not use a plastic vent.**


**Do not use a metal foil vent.**

**Failure to follow these instructions can result in death or fire.**

- **Is the exhaust vent or outside exhaust hood clogged with lint, restricting air movement?**  
Run the dryer for 5-10 minutes. Hold your hand under the outside exhaust hood to check air movement. If you do not feel air movement, clean exhaust system of lint or replace exhaust vent with heavy metal vent. See the Installation Instructions.

- **Are fabric softener sheets blocking the grille?**  
Use only one fabric softener sheet, and use it only once.
- **Is the exhaust vent the correct length?**  
Check that the exhaust vent is not too long or has too many turns. Long venting will increase drying times. See the Installation Instructions.
- **Is the exhaust vent diameter the correct size?**  
Use 4" (10.2 cm) diameter vent material.

**! WARNING**



**Explosion Hazard**

Keep flammable materials and vapors, such as gasoline, away from dryer.

Place dryer at least 18 inches (46 cm) above the floor for a garage installation.

Failure to do so can result in death, explosion, or fire.

- **Is the dryer located in a room with temperature below 45°F (7°C)?**  
Proper operation of dryer cycles requires temperatures above 45°F (7°C).
- **Is the dryer located in a closet?**  
Closet doors must have ventilation openings at the top and bottom of the door. The rear of the dryer requires 5" (12.7 cm) clearance. See the Installation Instructions.
- **Has an air dry cycle been selected?**  
Select the right cycle for the types of garments being dried. See "Cycles."
- **Is the load too large and heavy to dry quickly?**  
Separate the load to tumble freely.

---

### Cycle time too short

---

## ! WARNING

### Excessive Weight Hazard

**Use two or more people to move and install dryer.  
Failure to do so can result in back or other injury.**

- **Is the automatic cycle ending early?**  
The load may not be contacting the sensor strips. Level the dryer.  
  
Change the dryness level setting on Automatic Cycles. Increasing or decreasing the dryness level will change the amount of drying time in a cycle.

---

### Lint on load

---

- **Is the lint screen clogged?**  
Clean lint screen. Check for air movement.

---

### Stains on load or drum

---

- **Was dryer fabric softener properly used?**  
Add dryer fabric softener sheets at the beginning of the cycle. Fabric softener sheets added to a partially dried load can stain your garments.  
  
Drum stains are caused by dyes in clothing (usually blue jeans). This will not transfer to other clothing.

---

### Loads are wrinkled

---

- **Was the load removed from dryer at the end of the cycle?**
- **Was the dryer overloaded?**  
Dry smaller loads that can tumble freely.

---

### Odors

---

- **Have you recently been painting, staining or varnishing in the area where your dryer is located?**  
If so, ventilate the area. When the odors or fumes are gone from the area, rewash and dry the clothing.

---

# ASSISTANCE OR SERVICE

---

Before calling for assistance or service, please check "Troubleshooting." It may save you the cost of a service call. If you still need help, follow the instructions below.

When calling, please know the purchase date and the complete model and serial number of your appliance. This information will help us to better respond to your request.

## If you need replacement parts

If you need to order replacement parts, we recommend that you use only factory specified parts. Factory specified parts will fit right and work right because they are made with the same precision used to build every new KITCHENAID® appliance.

To locate factory specified parts in your area, call our Customer eXperience Center telephone number or your nearest designated service center.

---

## In the U.S.A.

Call the KitchenAid Customer eXperience Center toll free: **1-800-422-1230**.

### Our consultants provide assistance with:

- Features and specifications on our full line of appliances.
- Installation information.
- Use and maintenance procedures.
- Accessory and repair parts sales.
- Specialized customer assistance (Spanish speaking, hearing impaired, limited vision, etc.).
- Referrals to local dealers, repair parts distributors and service companies. KitchenAid designated service technicians are trained to fulfill the product warranty and provide after-warranty service, anywhere in the United States.

To locate the KitchenAid designated service company in your area, you can also look in your telephone directory Yellow Pages.

### For further assistance

If you need further assistance, you can write to KitchenAid with any questions or concerns at:

KitchenAid Brand Home Appliances  
Customer eXperience Center  
553 Benson Road  
Benton Harbor, MI 49022-2692

Please include a daytime phone number in your correspondence.

---

## In Canada

Call the KitchenAid Canada Customer Interaction Centre toll free: **1-800-807-6777**.

### Our consultants provide assistance with:

- Features and specifications on our full line of appliances.
- Use and maintenance procedures.
- Accessory and repair parts sales.
- Referrals to local dealers, repair parts distributors and service companies. KitchenAid Canada designated service technicians are trained to fulfill the product warranty and provide after-warranty service, anywhere in Canada.

### For further assistance

If you need further assistance, you can write to KitchenAid Canada with any questions or concerns at:

Customer Interaction Centre  
KitchenAid Canada  
1901 Minnesota Court  
Mississauga, Ontario L5N 3A7

Please include a daytime phone number in your correspondence.

---

# KITCHENAID® PRO LINE™ DRYER WARRANTY

---

## FIVE-YEAR PARTS AND LABOR LIMITED WARRANTY

For five years from the date of purchase, when this major appliance is operated and maintained according to instructions attached to or furnished with the product, KitchenAid or KitchenAid Canada (hereafter "KitchenAid") will pay for factory specified replacement parts and repair labor to correct defects in materials or workmanship. Service must be provided by a KitchenAid designated service company.

---

## LIFETIME LIMITED WARRANTY ON THE STAINLESS STEEL EXTERIOR FINISH AND THE STAINLESS STEEL DRYER DRUM

For the lifetime of your major appliance, when your major appliance is operated and maintained according to instructions attached to or furnished with the product, KitchenAid will pay for factory specified replacement parts for the stainless steel exterior and the stainless steel dryer drum should they chip or rust due to defects in materials or workmanship.

---

## ITEMS KITCHENAID WILL NOT PAY FOR

1. Service calls to correct the installation of your major appliance, to instruct you how to use your major appliance, to replace or repair house fuses or to correct house wiring or plumbing.
2. Service calls to repair or replace appliance light bulbs, air filters or water filters. Those consumable parts are excluded from warranty coverage.
3. Repairs when your major appliance is used for other than normal, single-family household use.
4. Damage resulting from accident, alteration, misuse, abuse, fire, flood, acts of God, improper installation, installation not in accordance with electrical or plumbing codes, or use of products not approved by KitchenAid.
5. Replacement parts or repair labor costs for units operated outside the United States or Canada.
6. Pickup and delivery. This major appliance is designed to be repaired in the home.
7. Repairs to parts or systems resulting from unauthorized modifications made to the appliance.
8. Expenses for travel and transportation for product service in remote locations.
9. The removal and reinstallation of your appliance if it is installed in an inaccessible location or is not installed in accordance with published installation instructions.

---

## DISCLAIMER OF IMPLIED WARRANTIES; LIMITATION OF REMEDIES

CUSTOMER'S SOLE AND EXCLUSIVE REMEDY UNDER THIS LIMITED WARRANTY SHALL BE PRODUCT REPAIR AS PROVIDED HEREIN. IMPLIED WARRANTIES, INCLUDING WARRANTIES OF MERCHANTABILITY OR FITNESS FOR A PARTICULAR PURPOSE, ARE LIMITED TO ONE YEAR OR THE SHORTEST PERIOD ALLOWED BY LAW. KITCHENAID SHALL NOT BE LIABLE FOR INCIDENTAL OR CONSEQUENTIAL DAMAGES. SOME STATES AND PROVINCES DO NOT ALLOW THE EXCLUSION OR LIMITATION OF INCIDENTAL OR CONSEQUENTIAL DAMAGES, OR LIMITATIONS ON THE DURATION OF IMPLIED WARRANTIES OF MERCHANTABILITY OR FITNESS, SO THESE EXCLUSIONS OR LIMITATIONS MAY NOT APPLY TO YOU. THIS WARRANTY GIVES YOU SPECIFIC LEGAL RIGHTS AND YOU MAY ALSO HAVE OTHER RIGHTS, WHICH VARY FROM STATE TO STATE OR PROVINCE TO PROVINCE.

Outside the 50 United States and Canada, this warranty does not apply. Contact your authorized KitchenAid dealer to determine if another warranty applies.

If you need service, first see the "Troubleshooting" section of the Use & Care Guide. After checking "Troubleshooting," additional help can be found by checking the "Assistance or Service" section or by calling KitchenAid. In the U.S.A., call **1-800-422-1230**. In Canada, call **1-800-807-6777**.

1/06

---

**Keep this book and your sales slip together for future reference. You must provide proof of purchase or installation date for in-warranty service.**

Write down the following information about your major appliance to better help you obtain assistance or service if you ever need it. You will need to know your complete model number and serial number. You can find this information on the model and serial number label located on the product.

Dealer name \_\_\_\_\_

Address \_\_\_\_\_

Phone number \_\_\_\_\_

Model number \_\_\_\_\_

Serial number \_\_\_\_\_

Purchase date \_\_\_\_\_

# SÉCURITÉ DE LA SÈCHEUSE

## Votre sécurité et celle des autres est très importante.

Nous donnons de nombreux messages de sécurité importants dans ce manuel et sur votre appareil ménager. Assurez-vous de toujours lire tous les messages de sécurité et de vous y conformer.



Voici le symbole d'alerte de sécurité.

Ce symbole d'alerte de sécurité vous signale les dangers potentiels de décès et de blessures graves à vous et à d'autres.

Tous les messages de sécurité suivront le symbole d'alerte de sécurité et le mot "DANGER" ou "AVERTISSEMENT". Ces mots signifient :

**⚠ DANGER**

Risque possible de décès ou de blessure grave si vous ne suivez pas immédiatement les instructions.

**⚠ AVERTISSEMENT**

Risque possible de décès ou de blessure grave si vous ne suivez pas les instructions.

Tous les messages de sécurité vous diront quel est le danger potentiel et vous disent comment réduire le risque de blessure et ce qui peut se produire en cas de non-respect des instructions.

**AVERTISSEMENT : Pour votre sécurité, les renseignements dans ce manuel doivent être observés pour réduire au minimum les risques d'incendie ou d'explosion ou pour éviter des dommages au produit, des blessures ou un décès.**

- Ne pas entreposer ou utiliser de l'essence ou d'autres vapeurs ou liquides inflammables à proximité de cet appareil ou de tout autre appareil électroménager.
- QUE FAIRE DANS LE CAS D'UNE ODEUR DE GAZ :
  - Ne pas tenter d'allumer un appareil.
  - Ne pas toucher à un commutateur électrique; ne pas utiliser le téléphone se trouvant sur les lieux.
  - Évacuer tous les gens de la pièce, de l'édifice ou du quartier.
  - Appeler immédiatement le fournisseur de gaz d'un téléphone voisin. Suivre ses instructions.
  - À défaut de joindre votre fournisseur de gaz, appeler les pompiers.
- L'installation et l'entretien doivent être effectués par un installateur qualifié, une agence de service ou le fournisseur de gaz.

## IMPORTANTES INSTRUCTIONS DE SÉCURITÉ

**AVERTISSEMENT :** Pour réduire le risque d'incendie, de choc électrique ou de blessure lors de l'utilisation de la sècheuse, il convient d'observer certaines précautions élémentaires dont les suivantes :

- Lire toutes les instructions avant d'utiliser la sècheuse.
- Ne pas placer des articles exposés aux huiles de cuisson dans votre sècheuse. Les articles contaminés par des huiles de cuisson peuvent contribuer à une réaction chimique qui pourrait causer à la charge de s'enflammer.
- Ne pas faire sécher dans la machine des articles qui ont déjà été nettoyés, lavés, imbibés, ou tachés d'essence, de solvants pour nettoyage à sec, d'autres substances inflammables, ou de substances explosives puisqu'elles dégagent des vapeurs qui peuvent provoquer un incendie ou une explosion.
- Ne pas permettre à des enfants de jouer sur ou à l'intérieur de la sècheuse. Une surveillance étroite est nécessaire lorsque la sècheuse est utilisée près d'eux.
- Avant d'enlever la sècheuse du service ou la jeter, enlever la porte du compartiment de séchage.
- Ne pas mettre la main dans la sècheuse si le tambour est en mouvement.
- Ne pas installer ni entreposer la sècheuse où elle sera exposée aux intempéries.
- Ne pas jouer avec les commandes.
- Ne pas réparer ni remplacer une pièce de la sècheuse ou essayer d'en faire l'entretien à moins d'une recommandation spécifique dans le guide d'utilisation et d'entretien, ou publiée dans les instructions de réparation par l'utilisateur que vous comprenez et pouvez exécuter avec compétence.
- Ne pas utiliser un produit assouplissant de tissu ou des produits pour éliminer la statique à moins qu'ils ne soient recommandés par le fabricant du produit assouplissant de tissu ou du produit.
- Ne pas utiliser la chaleur pour faire sécher des articles fabriqués avec du caoutchouc mousse ou des matériaux semblables.
- Nettoyer le filtre à charpie avant et après chaque charge.
- Ne pas laisser la charpie, la poussière, ou la saleté s'accumuler autour du système d'évacuation ou autour de l'appareil.
- Un nettoyage périodique de l'intérieur de la sècheuse et du conduit d'évacuation doit être effectué par une personne qualifiée.
- Voir les instructions d'installation pour les exigences de liaison de l'appareil à la terre.

### CONSERVEZ CES INSTRUCTIONS

**IMPORTANT :** L'installation du gaz doit se conformer aux codes locaux, ou en l'absence de codes locaux, au code canadien d'installation B149.1 du gaz naturel ou du propane.

La sècheuse doit être électriquement reliée à la terre conformément aux codes locaux, ou en l'absence de codes locaux, au Code canadien de l'électricité, CSA C22.1.



# INSTRUCTIONS D'INSTALLATION

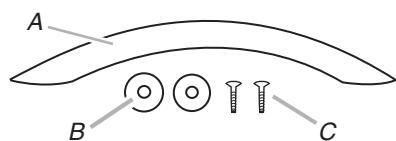
## Outillage et pièces

Rassembler les outils et pièces nécessaires avant de commencer l'installation. Lire et suivre les instructions fournies avec les outils indiqués ici.

- Tournevis à lame plate
- Tournevis Phillips n° 3
- Clé à tuyau de 8" ou 10"
- Clé à mollette de 8" ou 10" (pour le raccordement au gaz)
- Clé à molette avec ouverture jusqu'à  $\frac{9}{16}$ " (14 mm) (pour ajuster les pieds de la sècheuse)
- Niveau
- Brides d'évacuation
- Pistolet à calfeutrage et composé de calfeutrage (pour l'installation d'un nouveau conduit d'évacuation)
- Cisaille de ferblantier (pour l'installation d'un nouveau conduit)
- Tourne-écrou de  $\frac{1}{4}$ " (recommandé)
- Composé d'étanchéité des raccords filetés - résistant au propane
- Pince
- Mètre ruban

## Pièces fournies

Retirer le sachet de pièces du tambour de la sècheuse. Vérifier la présence de toutes les pièces de la poignée de porte.



- A. Poignée
- B. Rondelles de plastique (2)
- C. Vis (2)

## Retrait du revêtement décoratif

Retirer le revêtement décoratif facultatif (inclus) de la partie supérieure de la sècheuse et le mettre de côté.

## Fixation de la poignée de porte

1. Insérer les 2 vis à travers les trous de la porte.
2. Placer les rondelles de plastique sur les vis.
3. Fixer la poignée en serrant manuellement la vis supérieure puis la vis inférieure.



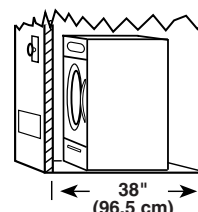
4. Appuyer la poignée contre la porte. À l'aide d'un tournevis Phillips, serrer les vis.

**REMARQUE :** Ne pas serrer excessivement.

## Pièces nécessaires

Vérifier les codes locaux et consulter le fournisseur de gaz. Vérifier l'alimentation en gaz, l'alimentation électrique et le circuit d'évacuation existants. Voir "Installations électriques", "Spécifications de l'alimentation en gaz" et "Exigences concernant l'évacuation" avant d'acheter les pièces.

- Pour les installations à faible espacement entre 33" (83,8 cm) et 38" (96,5 cm), voir la section "Planification du système d'évacuation" pour les exigences d'évacuation.



Les installations pour maison mobile nécessitent un système d'évacuation en métal disponible chez le marchand chez qui vous avez acheté votre sècheuse. Pour plus de renseignements, se référer à la section "Assistance ou service" de ce manuel.

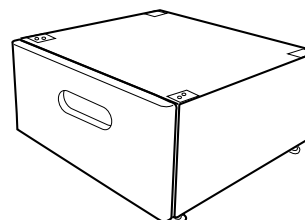
- Trousse d'installation pour maison mobile. Demander la pièce n° 346764.
- Système d'évacuation en métal.

## Options

### Piédestal

Installez-vous la sècheuse sur un piédestal? Vous pouvez acheter un piédestal séparément pour cette sècheuse. Ce piédestal ajoutera environ 11" (27,9 cm) à la hauteur de l'appareil pour une hauteur totale d'environ 53" (134,6 cm).

Pour l'installation dans un garage, il faut placer le piédestal à au moins 7" (17,8 cm) au-dessus du sol.



Piédestal facultatif

Pour commander, téléphoner au marchand chez qui vous avez acheté votre sècheuse ou se référer à la section "Assistance ou service" de ce manuel. Demander la pièce numéro LAV2701RSS.

### Trousse d'inversion du sens de la porte

Voudriez-vous modifier le sens d'ouverture de la porte de la sècheuse pour passer d'une ouverture du côté droit à une ouverture du côté gauche? Pour ce faire, vous devrez acheter une trousse d'inversion du sens de la porte.

Pour commander, téléphoner au marchand chez qui vous avez acheté votre sècheuse ou se référer à la section "Assistance ou service" de ce manuel. Demander la pièce n° 8182652.

## Exigences d'emplacement

### ⚠ AVERTISSEMENT



#### Risque d'explosion

Garder les matières et les vapeurs inflammables, telle que l'essence, loin de la sècheuse.

Placer la sècheuse au moins 46 cm (18 po) au-dessus du plancher pour une installation dans un garage.

Le non-respect de ces instructions peut causer un décès, une explosion ou un incendie.

#### Il vous faudra

- Un emplacement permettant une évacuation appropriée. Les sècheuses doivent être évacuées à l'extérieur. Voir "Exigences concernant l'évacuation".
- Une prise électrique avec liaison à la terre située à moins de 2 pi (61 cm) de l'un des côtés de la sècheuse. Voir "Spécifications électriques".
- Un plancher robuste capable de soutenir le poids total de la sècheuse de 250 lb (113,4 kg). Il faut aussi prendre en compte le poids combiné d'un appareil ménager voisin.
- Un plancher de niveau ayant une pente maximale de 1" (2,5 cm) sous l'ensemble de la sècheuse. Si la sècheuse n'est pas d'aplomb, le linge peut ne pas culbutter convenablement et les programmes commandés par des détecteurs automatiques peuvent ne pas fonctionner correctement.
- Pour l'installation dans un garage, vous devez placer la sècheuse à au moins 18" (46 cm) au-dessus du sol. Si on utilise un piédestal, il faudra ajouter 7" (17,8 cm) de plus.

Ne pas faire fonctionner la sècheuse à des températures inférieures à 45°F (7°C). À des températures inférieures, la sècheuse risque de ne pas s'arrêter à la fin d'un programme automatique. Ceci risque de prolonger les durées de séchage.

La sècheuse ne doit pas être installée ou remise dans un endroit où elle sera exposée à l'eau et/ou aux intempéries.

Vérifier les exigences des codes. Certains codes limitent ou n'autorisent pas l'installation des sècheuses dans un garage, un placard, une maison mobile ou une chambre à coucher. Communiquer avec l'inspecteur des bâtiments local.

**REMARQUE :** Aucun autre appareil consommant un combustible ne doit être installé dans le même placard.

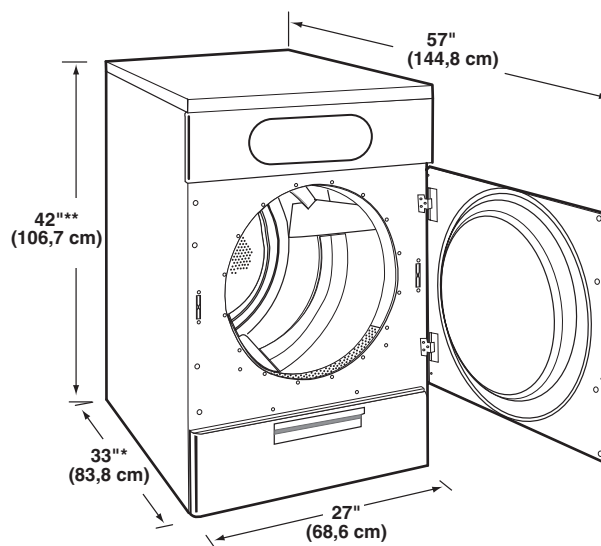
#### Dégagements de séparation à respecter

On recommande les dimensions d'espacement suivantes pour cette sècheuse. Cette sècheuse a été testée pour une installation avec dégagement de 0" (0 cm) sur les côtés, à l'avant et à l'arrière. L'espacement recommandé doit être considéré pour les raisons suivantes :

- L'emplacement doit être assez grand pour permettre d'ouvrir complètement la porte de la sècheuse.
- Prévoir davantage d'espace pour faciliter l'installation et l'entretien.
- Un espace supplémentaire peut être requis pour les moulures de porte et de plancher et pour les plinthes.
- Un espace supplémentaire doit être envisagé de tous les côtés de la sècheuse afin de réduire le transfert de bruit.
- Il faut aussi prendre en compte l'espace requis entre les appareils voisins.

**REMARQUE :** Cette sècheuse ne peut être superposée sur la laveuse.

#### Dimensions de la sècheuse

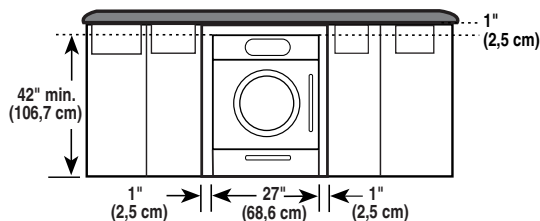


\*Profondeur avec la poignée

\*\*Inclut les pieds déployés de 1" (2,5 cm). Le revêtement décoratif facultatif (inclus) ajoutera environ 1/2" (1,3 cm) à la hauteur.

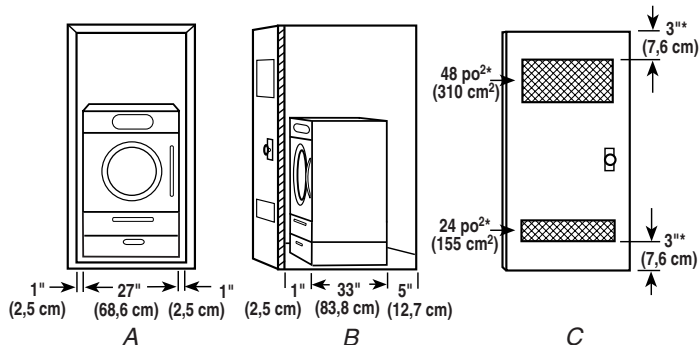
**REMARQUE :** La plupart des installations requièrent un espace minimum de 5" (12,7 cm) derrière la sècheuse pour le conduit d'évacuation avec coude. Voir "Exigences concernant l'évacuation".

#### Espacement pour une installation personnalisée sous un comptoir, sècheuse seulement



## Espacement pour une installation dans un encastrement ou dans un placard, avec ou sans piédestal

- Pour installation dans un placard avec porte, on doit prévoir des ouvertures minimums d'entrée d'air en haut et en bas de la porte. Les portes à claire-voie offrant des ouvertures équivalentes de passage de l'air sont acceptables.

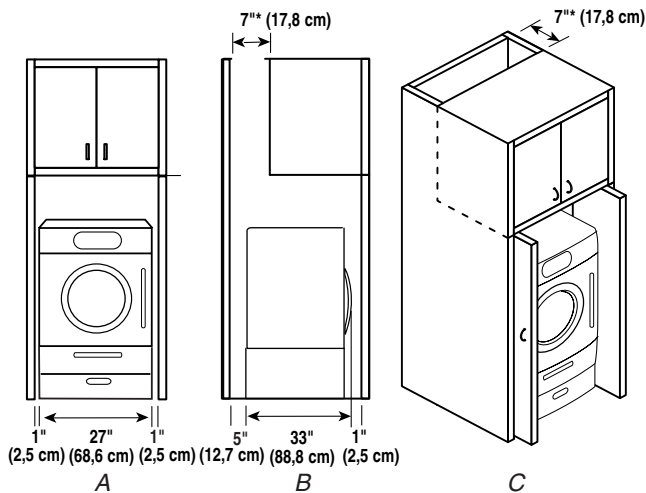


A. Vue de face  
B. Vue latérale - placard ou endroit exigü  
C. Porte de placard avec orifices d'entrée d'air

\*Espacement requis

## Espacement pour l'installation dans un placard

- Pour installation dans un placard avec porte, on doit prévoir des ouvertures minimums d'entrée d'air au sommet du placard.



A. Vue de face  
B. Vue latérale  
C. Placard avec aérations

\*Espacement requis

## Installation dans une maison mobile - exigences supplémentaires

Cette sècheuse peut être installée dans une maison mobile. L'installation doit satisfaire les critères de la Manufactured Home Construction and Safety Standard, Titre 24 CFR, partie 3280 (anciennement Federal Standard for Mobile Home Construction and Safety, Titre 24 HUD, partie 280) ou de la Norme CAN/CSA-Z240MH.

## Autres critères à respecter pour une installation en résidence mobile :

- Un système d'évacuation en métal qui peut être acheté chez votre marchand.
- Trousse d'installation pour maison mobile Pièce n° 346764. Voir la section "Outils et pièces" pour des renseignements sur la commande.
- Il faut prendre des dispositions spéciales dans les maisons mobiles pour l'apport d'air de l'extérieur dans la sècheuse. L'ouverture (telle qu'une fenêtre à proximité) devrait être au moins deux fois plus grande que l'ouverture de décharge de la sècheuse.

## Spécifications électriques

### ⚠ AVERTISSEMENT



#### Risque de choc électrique

**Brancher sur une prise à 3 alvéoles reliée à la terre.**

**Ne pas enlever la broche de liaison à la terre.**

**Ne pas utiliser un adaptateur.**

**Ne pas utiliser un câble de rallonge.**

**Le non-respect de ces instructions peut causer un décès, un incendie ou un choc électrique.**

- L'appareil doit être alimenté par un circuit de 120 V, CA seulement, 60 Hz, 15 ou 20 ampères, protégé par fusible. On recommande l'emploi d'un fusible ou d'un disjoncteur temporisé. Il est recommandé de raccorder l'appareil sur un circuit distinct exclusif à cet appareil.

### INSTRUCTIONS DE LIAISON À LA TERRE

- Pour une sècheuse reliée à la terre et connectée par un cordon :

Cette sècheuse doit être reliée à la terre. En cas de mauvais fonctionnement ou de panne, la liaison à la terre réduira le risque de choc électrique en offrant au courant électrique un acheminement d'évacuation de moindre résistance. Cette sècheuse est alimentée par un cordon électrique comportant un conducteur relié à la terre et une fiche de branchement munie d'une broche de liaison à la terre. La fiche doit être branchée sur une prise appropriée qui est bien installée et reliée à la terre conformément à tous les codes et règlements locaux.

**AVERTISSEMENT :** Le raccordement incorrect de cet appareil au conducteur de liaison à la terre peut susciter un risque de choc électrique. En cas de doute quant à la qualité de liaison à la terre de la sècheuse, consulter un électricien ou un technicien ou un personnel qualifié. Ne pas modifier la fiche de branchement fournie avec la sècheuse; si la fiche ne correspond pas à la configuration de la prise de courant, demander à un électricien qualifié d'installer une prise de courant appropriée.

**CONSERVEZ CES INSTRUCTIONS**

## Spécifications de l'alimentation en gaz

### **⚠ WARNING**



#### Explosion Hazard

Use a new CSA International approved gas supply line.

Install a shut-off valve.

Securely tighten all gas connections.

If connected to LP, have a qualified person make sure gas pressure does not exceed 13" (33 cm) water column.

Examples of a qualified person include:

licensed heating personnel,  
authorized gas company personnel, and  
authorized service personnel.

Failure to do so can result in death, explosion, or fire.

- Pour les longueurs inférieures à 20 pi (6,1 m), on peut utiliser des tuyaux de cuivre ou d'aluminium de  $\frac{3}{8}$ " si les codes locaux et le fournisseur de gaz le permettent.
- Pour le gaz naturel, ne pas utiliser de conduits en cuivre.
- Pour les longueurs inférieures à 20 pi (6,1 m), on peut utiliser des tuyaux plus gros et un adaptateur de grosseur différente.
- Si la sècheuse a été convertie au gaz de pétrole liquéfié, on peut utiliser un tuyau en cuivre compatible au gaz de pétrole liquéfié de  $\frac{3}{8}$ ". Si la longueur totale de la canalisation d'arrivée de gaz est supérieure à 20 pi (6,1 m), utiliser un plus gros conduit.

**REMARQUE :** On doit utiliser un composé d'étanchéité des tuyauteries résistant à l'action du gaz propane. Ne pas utiliser de ruban TEFLON<sup>†</sup>.

- Robinet d'arrêt nécessaire :

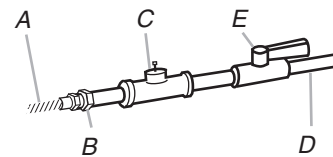
#### Aux États-Unis :

Un robinet d'arrêt individuel doit être installé à six (6) pi (1,8 m) de la sècheuse conformément au National Fuel Gas Code, ANSI Z223.1.

#### Au Canada :

Un robinet d'arrêt individuel doit être installé conformément au Code canadien des installations aux gaz naturel et au propane, B149.1. Il est recommandé d'installer un robinet d'arrêt individuel à moins de six (6) pi (1,8 m) de la sècheuse.

L'emplacement doit être facilement accessible pour l'ouverture et la fermeture.



- A. Connecteur de gaz souple de  $\frac{3}{8}$ "
- B. Adaptateur du tuyau au joint conique de  $\frac{3}{8}$ "
- C. Connecteur obturé (filetage NPT de  $\frac{1}{8}$ " ou plus)
- D. Canalisation d'arrivée du gaz NPT de  $\frac{1}{2}$ "
- E. Robinet d'arrêt du gaz

### Type de gaz

#### Gaz naturel :

Cette sècheuse est équipée pour une alimentation au gaz naturel. Sa conception est homologuée par CSA International pour l'alimentation au gaz de pétrole liquéfié (propane ou butane), avec conversion appropriée.

- Cette sècheuse doit être équipée du brûleur convenable, correspondant au gaz spécifique qui alimente l'habitation. L'information sur le brûleur se trouve sur la plaque signalétique dans le logement de la porte de la sècheuse. Si ces renseignements ne correspondent pas au type de gaz disponible, contacter votre marchand ou composer les numéros de téléphone indiqués dans la section "Assistance ou service" de ce manuel.

#### Conversion au gaz de pétrole liquéfié :

Un technicien qualifié doit effectuer la conversion.

Ne pas entreprendre de convertir l'appareil pour l'utilisation d'un gaz différent de celui indiqué sur la plaque signalétique sans d'abord consulter la compagnie de gaz.

### Canalisation de gaz

- La canalisation doit comprendre un connecteur obturé (filetage NPT de  $\frac{1}{8}$ " ou plus) accessible pour le raccordement de l'instrument de mesure immédiatement en amont de la connexion d'alimentation en gaz de la sècheuse (voir l'illustration).
- Un tuyau IPS de  $\frac{1}{2}$ " est recommandé.

### Exigences concernant le raccordement au gaz

- Utiliser un coude et un adaptateur NPT de  $\frac{3}{8}$ " x  $\frac{3}{8}$ " entre le connecteur de gaz flexible et le conduit de gaz de la sècheuse, tel que nécessaire pour éviter le pincement.
- Utiliser uniquement un composé d'étanchéité des tuyauteries. Ne pas utiliser de ruban TEFLON<sup>†</sup>.
- On doit raccorder la sècheuse au conduit d'alimentation en gaz à l'aide d'un connecteur de gaz flexible homologué qui respecte les normes applicables aux connecteurs utilisés avec des appareils ménagers à gaz, ANSI Z21.24.

<sup>†</sup>TEFLON est une marque déposée de E.I. Du Pont De Nemours et Compagnie.

## Exigences concernant l'alimentation du brûleur

### Altitudes supérieures à 2 000 pi (600 m) :

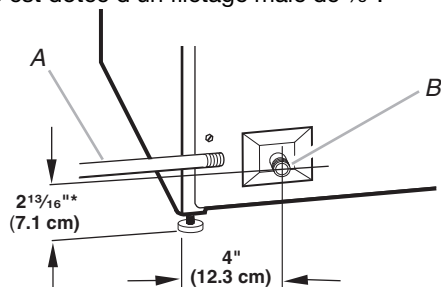
- Si la sècheuse doit être utilisée à une altitude supérieure à 2 000 pi (600 m), on doit réduire de 4 % le débit thermique du brûleur indiqué sur la plaque signalétique pour chaque tranche de 1 000 pi (305 m) au-dessus du niveau de la mer.

### Épreuve sous pression de l'alimentation en gaz

- La sècheuse doit être déconnectée du système d'alimentation en gaz lors de tout test de pression à des pressions plus élevées que  $\frac{1}{2}$  lb/po<sup>2</sup>.

## Canalisation d'arrivée de gaz de la sècheuse

- La canalisation d'arrivée de gaz sortant à l'arrière de la sècheuse est dotée d'un filetage mâle de  $\frac{3}{8}$ ".



A. Canalisation d'arrivée du gaz  
NPT de  $\frac{1}{2}$ "

B. Tuyau NPT de la sècheuse de  $\frac{3}{8}$ "

**\*REMARQUE :** Si la sècheuse est montée sur piédestal, prévoir 11" (28 cm) de plus à partir du sol pour la hauteur de la canalisation d'arrivée de gaz. Pour une installation dans un garage, prévoir 18" (46 cm) de plus à partir du sol pour la hauteur de la canalisation d'arrivée de gaz.

## Exigences concernant l'évacuation

### ⚠ AVERTISSEMENT



#### Risque d'incendie

Utiliser un conduit d'évacuation en métal lourd.

Ne pas utiliser un conduit d'évacuation en plastique.

Ne pas utiliser un conduit d'évacuation en feuille de métal.

Le non-respect de ces instructions peut causer un décès ou un incendie.

**AVERTISSEMENT :** Pour réduire le risque d'incendie, cette sècheuse doit ÉVACUER L'AIR À L'EXTÉRIEUR.

**IMPORTANT :** Observer les dispositions de tous les codes et règlements en vigueur.

Le conduit d'évacuation de la sècheuse ne doit pas être connecté à une évacuation de gaz, une cheminée, un mur, un plafond ou un vide de construction.

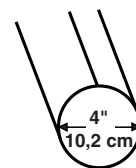
### En cas d'utilisation du système d'évacuation existant

- Éliminer la charpie sur toute la longueur du système et veiller à ce que le clapet de décharge ne soit pas obstrué par une accumulation de charpie.
- Remplacer tout conduit de plastique ou de feuille métallique par un conduit de métal rigide.
- Examiner le tableau de longueur du conduit d'évacuation. Apporter les modifications nécessaires au système d'évacuation pour atteindre le meilleur rendement de séchage.

### En cas de nouveau système d'évacuation

#### Matériel pour l'évacuation

- Utiliser un conduit d'évacuation en métal lourd. Ne pas utiliser un conduit en plastique ou en feuille métallique.
- Utiliser un conduit d'évacuation en métal lourd de 4" (10,2 cm) et des brides de serrage. Les produits d'évacuation DURASAFE™ sont recommandés.



Conduit d'évacuation en métal lourd de 4" (10,2 cm)

On peut se procurer les produits d'évacuation DURASAFE™ auprès du marchand ou en téléphonant au service Pièces et accessoires de Whirlpool. Pour plus de renseignements, voir la section "Assistance ou service" de ce manuel.

### Conduit métallique rigide

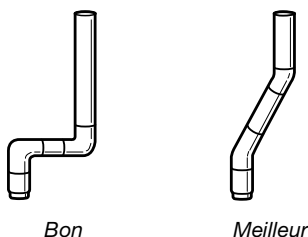
- Pour un meilleur rendement de séchage, on recommande d'utiliser des conduits métalliques rigides.
- On recommande d'utiliser un conduit métallique rigide pour réduire les risques d'écrasement et de déformation.

### Conduit métallique flexible

- Les conduits métalliques flexibles sont acceptables seulement dans la mesure où ils sont accessibles en vue du nettoyage. La longueur totale ne doit pas excéder 8 pi (2,4 m).
- Un conduit métallique flexible doit être totalement déployé et soutenu lorsque la sècheuse est à sa position finale.
- Enlever tout excès de conduit flexible pour éviter tout affaissement ou déformation susceptible de réduire la capacité d'évacuation et le rendement.
- Ne pas installer le conduit métallique flexible dans les cavités fermées des murs, plafonds ou planchers.

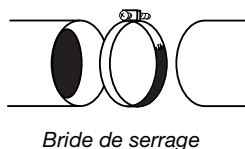
### Coudes

Les coudes à 45° permettent une meilleure circulation de l'air que les coudes à 90°.



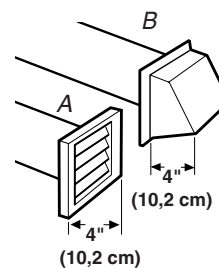
### Brides de serrage

- Utiliser des brides pour sceller tous les joints.
- Le conduit d'évacuation ne doit pas être connecté ou fixé avec des vis ou avec tout autre dispositif de serrage qui se prolonge à l'intérieur du conduit. Ne pas utiliser de ruban adhésif pour conduit.



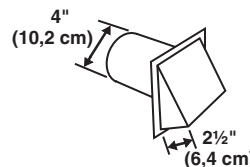
### Évacuation

Les styles de clapets recommandés sont illustrés ci-dessous.



A. Clapet à persiennes  
B. Clapet de type boîte

Le clapet incliné de type boîte ci-dessous est acceptable.



- Terminer le conduit d'évacuation par un clapet de décharge pour empêcher les rongeurs et insectes d'entrer dans l'habitation.
- Le clapet de décharge doit être situé à au moins 12" (30,5 cm) au-dessus du sol ou de tout autre objet susceptible de se trouver sur le trajet de l'air humide rejeté (par exemple, fleurs, roches ou arbustes, limite de la neige, etc.).
- Ne pas utiliser un clapet d'évacuation à fermeture magnétique.

#### Une mauvaise évacuation de l'air peut causer de l'humidité et une accumulation de charpie à l'intérieur de la maison, ce qui peut provoquer :

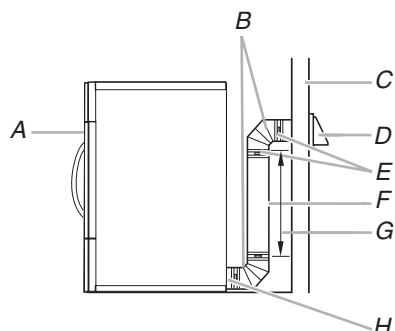
- Dommages par l'humidité aux boiseries, meubles, peinture, papier-peint, tapis, etc.
- Problèmes de nettoyage dans la maison et problèmes de santé.

## Planification du système d'évacuation

### Choisir un type de système d'évacuation

#### Installations d'évacuation recommandées

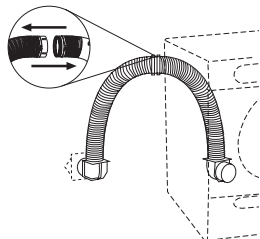
Les installations typiques consistent à acheminer le conduit d'évacuation à l'arrière de la sècheuse.



- |                       |   |
|-----------------------|---|
| A. Sècheuse           | F. Conduit métallique rigide ou souple                      |
| B. Coude              | G. Longueur de conduit nécessaire pour raccorder les coudes |
| C. Mur                | H. Bouche de décharge                                       |
| D. Clapet de décharge |   |
| E. Brides de serrage  |   |

#### Autres installations où le dégagement est réduit

Il existe de nombreux systèmes d'évacuation. Choisir le système qui convient le mieux à votre installation. Une installation à dégagement réduit est illustrée. Voir les instructions du fabricant. Consulter le Tableau des systèmes d'évacuation 2 pour la longueur et les changements de direction (ou coudes) nécessaires pour un meilleur rendement de séchage.



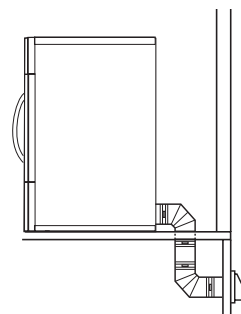
Installation au-dessus de la sècheuse  
(aussi disponible avec un coude décalé)

**REMARQUE :** On peut acheter les trousse suivantes pour les installations où le dégagement est réduit. Veuillez consulter la section "Assistance ou service" de ce manuel pour commander.

- Installation au-dessus de la sècheuse :  
Pièce numéro 4396028

#### Dispositions spéciales pour les installations dans une maison mobile

Le système d'évacuation doit être solidement fixé à une section non combustible de la structure de la maison mobile et ne doit pas se terminer en dessous de la maison mobile. Acheminer le conduit d'évacuation vers l'extérieur.



#### Déterminer l'itinéraire d'acheminement du conduit

- Choisir l'itinéraire d'acheminement vers l'extérieur qui sera le plus direct et le plus rectiligne.
- Planifier l'installation pour introduire le nombre minimal de coudes et de changements de direction.
- Si des coudes ou changements de direction sont utilisés, prévoir autant d'espace que possible.
- Plier le conduit graduellement pour éviter de le déformer.
- Utiliser le moins possible de changements de direction à 90°.

#### Déterminer la longueur du conduit et les coudes nécessaires pour la meilleure performance de séchage

- Utiliser le tableau des systèmes d'évacuation ci-dessous pour déterminer le type de composants et les combinaisons acceptables.

**REMARQUE :** Ne pas utiliser un conduit de longueur supérieure à la valeur spécifiée dans le tableau des systèmes d'évacuation. Si la longueur du circuit est supérieure à la valeur spécifiée dans le tableau, on observera :

- Une réduction de la longévité de la sècheuse.
- Une réduction du rendement, avec temps de séchage plus longs et une plus grande consommation d'énergie.

Le tableau des systèmes d'évacuation fournit les exigences d'évacuation qui vous aideront à atteindre la meilleure performance de séchage.

### Tableau des systèmes d'évacuation 1 - Conduit en métal rigide seulement

Nombre de changements de direction ou coudes à 90°	Type de conduit	Clapets de type boîte ou à persiennes	Clapets inclinés
0	Métallique rigide	174 pi (53 m)	168 pi (51,2 m)
1	Métallique rigide	164 pi (50 m)	158 pi (48 m)
2	Métallique rigide	154 pi (46,9 m)	148 pi (45,1 m)
3	Métallique rigide	145 pi (44,2 m)	139 pi (42,4 m)
4	Métallique rigide	137 pi (41,8 m)	131 pi (39,9 m)

### Tableau des systèmes d'évacuation 2 - Conduit en métal rigide utilisé avec un conduit en métal flexible d'une longueur maximum de 8 pi (2,4 m)

Nombre de changements de direction ou coudes à 90°	Type de conduit	Clapets de type boîte ou à persiennes	Clapets inclinés
0	Métallique rigide	144 pi (43,9 m)	138 pi (42,1 m)
1	Métallique rigide	134 pi (40,8 m)	128 pi (39 m)
2	Métallique rigide	125 pi (38,1 m)	119 pi (36,3 m)
3	Métallique rigide	117 pi (35,7 m)	111 pi (33,8 m)

## Installation du système d'évacuation

### **AVERTISSEMENT**

#### Risque du poids excessif

Utiliser deux ou plus de personnes pour déplacer et installer la sècheuse.

Le non-respect de cette instruction peut causer une blessure au dos ou d'autre blessure.

- Positionner la sècheuse de sorte que l'arrière de l'appareil soit à moins de 4 pi (1,2 m) de son emplacement final.
- Installer le clapet d'évacuation. Calfeutrer au pistolet l'ouverture murale à l'extérieur autour du clapet d'évacuation.
- Raccorder le conduit d'évacuation au clapet. Le conduit doit être inséré à l'intérieur du clapet. Fixer ensemble le conduit et le clapet avec une bride de 4" (10,2 cm).

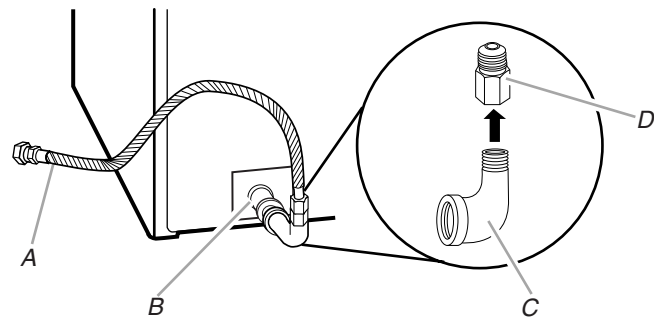
- Acheminer le conduit d'évacuation jusqu'à l'emplacement de la sècheuse. Utiliser l'itinéraire le plus rectiligne possible. Voir "Déterminer l'itinéraire d'acheminement du conduit" dans "Planification du système d'évacuation". Éviter les changements de direction à 90°. Utiliser des brides pour sceller tous les joints. Ne pas utiliser de ruban adhésif pour conduit, des vis ou autres dispositifs de fixation qui se prolongent à l'intérieur du conduit pour fixer celui-ci.

### Raccordement au gaz

- Retirer le capuchon bleu de la conduite de gaz. Déplacer la sècheuse près de son emplacement final.
- À l'aide d'une clé de serrage, raccorder l'alimentation en gaz à la sècheuse. Utiliser un composé d'étanchéité des tuyauteries sur tous les filetages mâles non évasés. Si on utilise un conduit métallique souple, veiller à ce qu'il ne soit pas déformé.

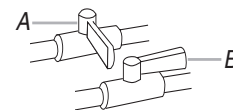
**REMARQUE :** Pour les raccords au gaz de pétrole liquéfié, il faut utiliser un composé d'étanchéité des tuyauteries résistant à l'action du gaz de pétrole liquéfié. Ne pas utiliser de ruban TEFLON®†.

On doit utiliser une combinaison de raccords de tuyauterie pour raccorder la sècheuse à l'alimentation en gaz existante. On voit ci-dessous une illustration d'un raccordement recommandé. Le raccordement peut varier, selon le type d'alimentation, la dimension et l'emplacement.



- A. Connecteur à gaz souple de 3/8"  
 B. Conduit de la sècheuse de 3/8"  
 C. Coude de conduit de 3/8" à 3/8"  
 D. Adaptateur entre le conduit et le joint conique de 3/8"

- Ouvrir le robinet d'arrêt du conduit d'alimentation. Le robinet est ouvert lorsque la poignée est parallèle au conduit d'alimentation en gaz.



- A. Robinet fermé  
 B. Robinet ouvert

- Vérifier tous les raccords en les badigeonnant d'une solution de détection des fuites non corrosive approuvée. L'apparition de bulles indique une fuite. Réparer toute fuite éventuelle.

†TEFLON est une marque déposée de E.I. Du Pont De Nemours et Compagnie.



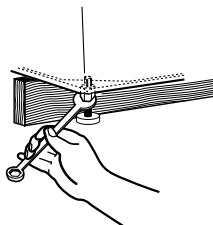
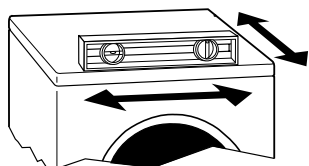
## Raccordement du conduit d'évacuation

1. À l'aide d'une bride de fixation de 4" (10,2 cm), relier le conduit d'évacuation à la bouche d'évacuation de la sècheuse. Si on utilise un système d'évacuation existant, s'assurer qu'il est propre. Le conduit d'évacuation de la sècheuse doit être fixé sur la bouche d'évacuation de la sècheuse et dans le clapet d'évacuation. S'assurer que le conduit d'évacuation est fixé au clapet d'évacuation à l'aide d'une bride de fixation de 4" (10,2 cm).
2. Placer la sècheuse à son emplacement final. Ne pas écraser ni déformer le conduit d'évacuation.
3. Vérifier que le tuyau de gaz flexible n'est pas déformé ou écrasé.

## Mise à niveau de la sècheuse

Les quatre pieds de la sècheuse ont été préinstallés en usine à la même hauteur.

1. À l'aide d'une clé plate de  $\frac{1}{16}$ " (14 mm), vérifier que les écrous des deux pieds arrière pré-réglés sont serrés contre la caisse de l'appareil.
2. Faire glisser la sècheuse à son emplacement final.
3. Contrôler l'aplomb de la sècheuse. Contrôler l'aplomb tout d'abord transversalement, puis dans le sens avant/arrière.



4. Si la sècheuse n'est pas d'aplomb, soulever l'avant de la sècheuse avec une cale de bois et ajuster la position des pieds selon le besoin; soulever ensuite l'arrière de la sècheuse et ajuster la longueur des pieds selon le besoin. Répéter ces opérations jusqu'à l'obtention d'un aplomb correct de la sècheuse.
5. Après avoir établi l'aplomb correct de la sècheuse, utiliser une clé plate de  $\frac{1}{16}$ " (14 mm) pour serrer l'écrou de chaque pied contre la caisse de la sècheuse.

## Achever l'installation

1. Vérifier que toutes les pièces sont installées. S'il reste une pièce, passer en revue les différentes étapes pour découvrir laquelle aurait été oubliée.
2. S'assurer d'avoir récupéré tous vos outils.
3. Vérifier l'emplacement définitif de la sècheuse. S'assurer que le conduit d'évacuation n'est pas écrasé ou déformé.
4. Vérifier que la sècheuse est de niveau. Voir "Mise à niveau de la sècheuse".

## ⚠ AVERTISSEMENT



### Risque de choc électrique

**Brancher sur une prise à 3 alvéoles reliée à la terre.**

**Ne pas enlever la broche de liaison à la terre.**

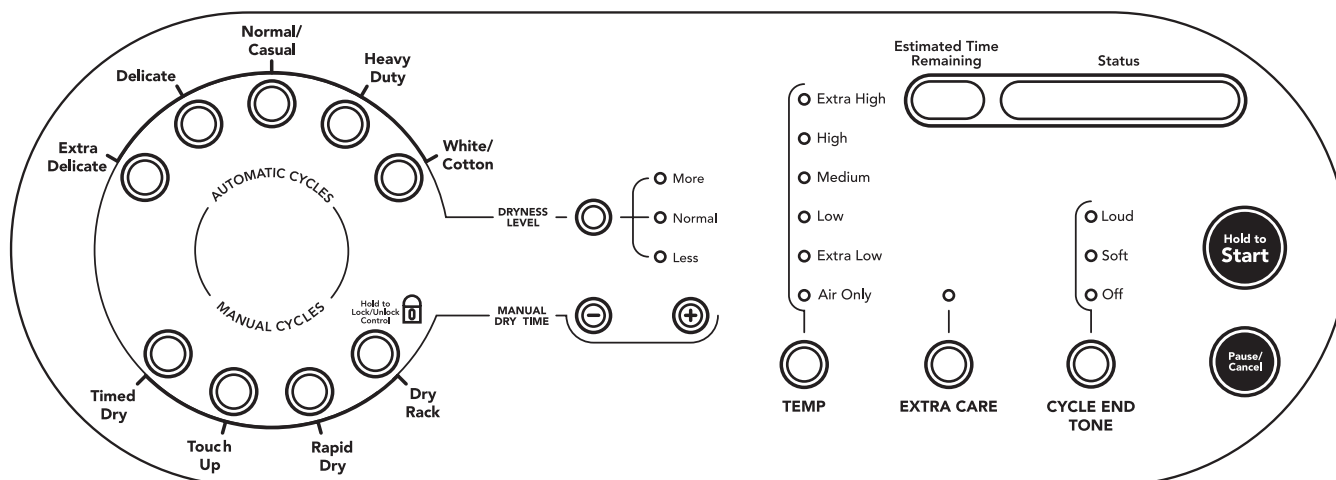
**Ne pas utiliser un adaptateur.**

**Ne pas utiliser un câble de rallonge.**

**Le non-respect de ces instructions peut causer un décès, un incendie ou un choc électrique.**

5. Brancher la sècheuse sur une prise à 3 broches reliée à la terre. Mettre le courant.
6. Ôter tout film protecteur ou ruban adhésif restant sur la sècheuse.
7. Jeter/recycler tout le matériel d'emballage.
8. Si désiré, installer le revêtement décoratif sur la partie supérieure de la sècheuse.  
**REMARQUE :** Vérifier que la partie supérieure de la sècheuse et la partie inférieure du revêtement sont propres.
9. Lire "Utilisation de la sècheuse".
10. Essuyer soigneusement l'intérieur du tambour de la sècheuse avec un chiffon humide pour éliminer toute trace de poussière.
11. Sélectionner un programme de séchage minuté avec chaleur et mettre la sècheuse en marche. Ne pas sélectionner le réglage de température Air Only (air seulement).  
**Si la sècheuse ne démarre pas, vérifier ce qui suit :**
  - La sècheuse est branchée sur une prise à 3 alvéoles reliée à la terre.
  - L'alimentation électrique est connectée.
  - Les fusibles sont intacts et serrés, ou le disjoncteur n'est pas déclenché.
  - La porte de la sècheuse est fermée.
12. Après 5 minutes de fonctionnement, ouvrir la porte de la sècheuse et vérifier s'il y a de la chaleur. En cas de chaleur, annuler le programme et fermer la porte. Si aucune émanation de chaleur n'est perceptible, éteindre la sècheuse et vérifier que le robinet d'arrêt de la canalisation de gaz est ouvert.
  - Si le robinet d'arrêt de la canalisation de gaz est fermé, l'ouvrir, puis répéter le test de 5 minutes décrit ci-dessus.
  - Si le robinet d'arrêt de la canalisation de gaz est ouvert, contacter un technicien qualifié.

# UTILISATION DE LA SÈCHEUSE



## Mise en marche de la sècheuse

### ⚠️ AVERTISSEMENT



#### Risque d'explosion

Garder les matières et les vapeurs inflammables, telle que l'essence, loin de la sècheuse.

Ne pas faire sécher un article qui a déjà été touché par un produit inflammable (même après un lavage).

Le non-respect de ces instructions peut causer un décès, une explosion ou un incendie.

### ⚠️ AVERTISSEMENT



#### Risque d'incendie

Aucune laveuse ne peut complètement enlever l'huile.

Ne pas faire sécher des articles qui ont été salis par tout genre d'huile (y compris les huiles de cuisson).

Les articles contenant mousse, caoutchouc ou plastique doivent être séchés sur une corde à linge ou par le programme de séchage à l'air.

Le non-respect de ces instructions peut causer un décès ou un incendie.

Suivre ces étapes de base pour mettre la sècheuse en marche. Se référer aux sections spécifiques de ce manuel pour obtenir des renseignements plus détaillés.

1. Nettoyer le filtre à charpie avant chaque charge. Voir "Nettoyage du filtre à charpie".
2. Charger les vêtements dans la sècheuse et fermer la porte.
3. Sélectionner un programme automatique ou manuel en appuyant sur le bouton de programme désiré. Les préréglages et la durée de séchage pour le programme choisi s'affichent.

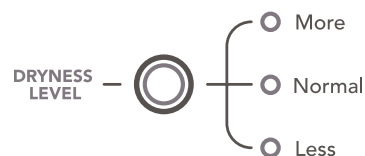
#### Utilisation d'un programme automatique

- Choisir un programme automatique.
- Sélectionner DRYNESS LEVEL (degré de séchage) pour régler le degré de séchage désiré. Au cours du programme, la commande détecte le degré de séchage de la charge et règle la durée automatiquement selon le degré de séchage sélectionné.

#### Pour effectuer des changements durant un programme automatique :

- Appuyer sur PAUSE/CANCEL (pause/annulation).
- Ajuster le degré de séchage.

**REMARQUE :** Les sélections de degré de séchage ne peuvent être effectuées qu'avec les programmes automatiques. La sélection de More (plus) ou Less (moins) ajuste automatiquement la durée de séchage préréglée nécessaire.



## Utilisation d'un programme manuel

- Sélectionner un programme manuel.
- Appuyer sur la touche plus (+) ou moins (-) jusqu'à ce que la durée de séchage désirée s'affiche. Appuyer sur plus (+) ou moins (-) et la durée changera par tranches de 1 minute. Appuyer sur plus (+) ou moins (-) sans relâcher et la durée changera par tranches de 5 minutes.

**REMARQUE :** La caractéristique plus (+) ou moins (-) ne peut être utilisée qu'avec les programmes manuels.



- Appuyer sur TEMP jusqu'à ce que la température désirée s'allume.

**REMARQUE :** Durant un programme manuel, on peut changer les réglages de durée, de température, de Extra Care (soin particulier) et du signal de fin de programme. Appuyer deux fois sur PAUSE/CANCEL (pause/annulation) pour arrêter la sécheuse et annuler les réglages. Sélectionner un autre programme ou une autre option.

- (ÉTAPE FACULTATIVE) Si désiré, régler le signal de fin de programme. Sélectionner LOUD (fort) ou SOFT (bas) pour vous signaler la fin d'un programme.
- Appuyer sur START pendant environ 3 secondes jusqu'à ce que la sécheuse se mette en marche. Vérifier que la porte est fermée.
  - Si on n'appuie pas sur Start dans les 5 minutes qui suivent le choix de programme, la sécheuse s'arrête automatiquement.
  - Si on désire mettre fin au programme de séchage après avoir appuyé sur Start, appuyer deux fois sur PAUSE/CANCEL.

## Arrêt de la sécheuse

### Pour arrêter la sécheuse à n'importe quel moment

Appuyer deux fois sur PAUSE/CANCEL ou ouvrir la porte.

## Pause ou remise en marche

### Pour mettre la sécheuse en pause à tout moment

Ouvrir la porte ou appuyer une fois sur PAUSE/CANCEL.

### Pour remettre la sécheuse en marche

Fermer la porte. Appuyer sans relâcher sur START jusqu'à ce que la sécheuse se mette en marche.

**REMARQUE :** Le séchage reprendra là où le programme a été interrompu si on referme la porte et appuie sur Start dans les 5 minutes qui suivent. Si le programme est interrompu pendant plus de 5 minutes, la sécheuse s'arrête. Sélectionner les nouveaux réglages de programme avant de remettre la sécheuse en marche.

## Verrouillage des commandes

Cette caractéristique permet de verrouiller les réglages et d'empêcher l'utilisation involontaire de la sécheuse. On peut aussi utiliser la caractéristique de verrouillage des commandes pour empêcher des changements non intentionnels de programme ou d'option durant le fonctionnement de la sécheuse.

### Pour activer la caractéristique Control Locked (verrouillage des commandes) alors que la sécheuse est en marche :

Appuyer sur le bouton DRY RACK (séchage sur grille) pendant 3 secondes. La commande est verrouillée lorsqu'un bip unique se fait entendre et que l'icône Control Locked s'allume dans la fenêtre de l'état d'avancement. L'icône est située près du bouton Dry Rack (séchage sur grille) et s'allume lorsque la commande est verrouillée.

- Lorsque la sécheuse est éteinte, il n'est pas nécessaire de mettre l'appareil en marche pour activer la caractéristique de verrouillage des commandes.

### Déverrouillage :

Appuyer sur le bouton DRY RACK (séchage sur grille) pendant 3 secondes pour désactiver cette caractéristique.

**REMARQUE :** Lorsque la sécheuse fonctionne et que le verrouillage des commandes est activé, il est possible d'arrêter la sécheuse en appuyant sur le bouton PAUSE/CANCEL (pause/annulation), mais elle ne peut être remise en marche tant que la commande n'est pas déverrouillée.

## Conseils pour le séchage et les programmes

Choisir le programme et le niveau de séchage ou la température corrects pour votre charge. Si un programme automatique est exécuté, l'affichage montre le temps estimé du programme lorsque votre sécheuse détecte automatiquement le niveau de séchage de votre charge. Si un programme manuel est exécuté, l'affichage montre le nombre exact de minutes qui restent dans le programme.

La période Cool Down (refroidissement) fait culbuter la charge sans chaleur au cours des quelques dernières minutes de tous les programmes. La période de refroidissement rend plus facile la manutention des charges et réduit le froissement. La durée de la période de refroidissement dépend de la quantité de la charge et du niveau de séchage.

### Conseils de séchage

- Suivre les directives sur l'étiquette lorsqu'elles sont disponibles.
- Retirer la charge de la sécheuse aussitôt que le culbutage cesse pour réduire le froissement. Cette action est particulièrement importante pour les tissus à pressage permanent, tricotés et tissus synthétiques.
- Éviter de faire sécher des vêtements de travail lourds avec des tissus plus légers. Cette action pourrait causer un séchage excessif des tissus légers, contribuant à un rétrécissement ou à un froissement plus prononcé.

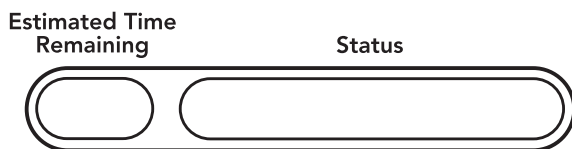
## Conseils pour les programmes

- Faire sécher la plupart des charges en utilisant les préréglages de programme.
- Se référer aux tableaux de Préréglages de programmes automatiques ou manuels (dans la section "Programmes") pour des directives sur le séchage de diverses charges.
  - La température de séchage et le niveau de séchage sont préréglés lorsqu'on choisit un programme automatique. On peut choisir un niveau différent de séchage, selon la charge en appuyant sur le bouton DRYNESS LEVEL (niveau de séchage) pour choisir MORE (plus) ou LESS (moins).
  - Si on désire ajuster la durée d'un programme manuel, il faut appuyer sur les boutons (- ou +). Ajuster la température d'un programme manuel en appuyant sur TEMP jusqu'à ce que la température désirée soit sélectionnée.

**REMARQUE :** On ne peut pas choisir un niveau de séchage avec les programmes manuels.

## Témoins de l'état d'avancement

Des messages sur l'état d'avancement s'affichent pour vous aider à suivre le degré de séchage.



### Wet (mouillé)

WET s'affiche au début du programme automatique ou manuel si un article mouillé est détecté.

- Dans un programme automatique, si aucun article n'est détecté au bout de 5 minutes, la sècheuse passe directement à la phase de refroidissement. COOL DOWN (refroidissement) s'affiche, en même temps que EXTRA CARE (soin particulier), si la fonction a été sélectionnée.
- Dans un programme manuel, si aucun article n'est détecté, la sècheuse continue de fonctionner pour toute la durée sélectionnée mais WET (mouillé) ne s'affiche pas.

### Damp (humide)

DAMP s'affiche si la charge a atteint le degré de séchage humide.

**REMARQUE :** Le témoin DAMP ne s'affiche pas avec les programmes manuels.

### Cool Down (refroidissement)

COOL DOWN (refroidissement) s'affiche pendant la période de refroidissement du programme. Le linge refroidit pour faciliter sa manipulation.

### Cycle Complete (programme terminé)

CYCLE COMPLETE s'affiche lorsqu'un programme de séchage est terminé. Si la caractéristique Extra Care (soin particulier) est sélectionnée, EXTRA CARE s'affichera également.

L'affichage de Cycle Complete (programme terminé) s'éteint une heure après la fin d'un programme de séchage, lorsqu'on appuie sur PAUSE/CANCEL (pause/annulation), ou lorsqu'on ouvre la porte. Si la caractéristique Extra Care (soin particulier) est sélectionnée, l'affichage de Cycle Complete (programme terminé) reste allumé 1 heure après la fin du programme Extra Care.

## Extra Care (soin particulier)

EXTRA CARE s'affiche lorsque cette option est sélectionnée. Cet affichage reste allumé en même temps que l'affichage Cycle Complete. Voir "Caractéristiques supplémentaires".

## Check Lint Screen (vérifier le filtre à charpie)

L'affichage de Check Lint Screen vous rappelle qu'il faut vérifier le filtre à charpie. CHECK LINT SCREEN (vérifier le filtre à charpie) s'affiche lorsqu'on met la machine en marche. Le message s'éteint lorsque le filtre à charpie est ouvert et nettoyé, quand on appuie sur Start, ou que 5 minutes se sont écoulées.

## Control Locked (verrouillage des commandes)

Une icône de verrouillage s'affiche dans la fenêtre de l'état d'avancement lorsque cette option est activée.

## Témoins lumineux

D'autres témoins lumineux sur le tableau de commande indiquent les réglages de programmes, de température et de signal de fin de programme sélectionnés.

Les témoins de l'état d'avancement indiquent la durée résiduelle estimée ou réelle dans un programme.

## Insertion du filtre à charpie

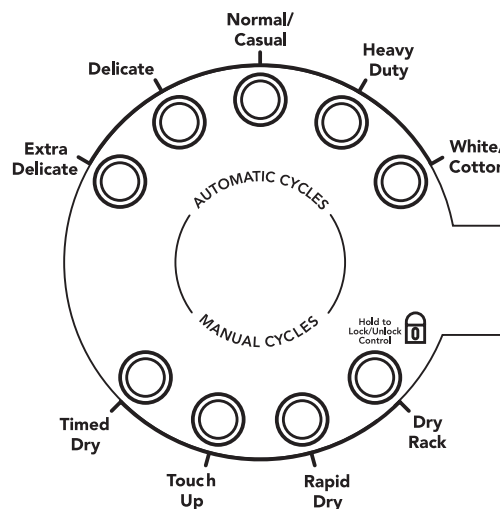
Le message INSERT LINT SCREEN (insertion du filtre à charpie) apparaît après sélection d'un programme de séchage si le tiroir à charpie est ouvert. La sècheuse se mettra en pause jusqu'à ce que le filtre à charpie soit inséré. Une fois qu'il est en place, PRESS START (appuyer sur Start) s'affiche. Appuyer sur START pour poursuivre le programme.

## Insertion de la grille de séchage

Le message INSERT DRY RACK (insertion de la grille de séchage) apparaît et la sècheuse émet 3 signaux sonores lorsque le programme Dry Rack (séchage sur grille) est sélectionné et qu'une grille de séchage n'est pas placée dans la sècheuse.

## Programmes

Sélectionner le programme de séchage qui correspond au type de charge à sécher. Voir les tableaux des préréglages de programmes automatiques ou manuels.



## PROGRAMMES AUTOMATIQUES

Les programmes automatiques permettent d'assortir le programme à la charge à sécher. Voir le tableau suivant "Préréglages des programmes automatiques". Chaque programme sèche certains tissus à la température recommandée. Un capteur détecte l'humidité de la charge et règle automatiquement la durée pour un séchage optimal.

### White/Cotton (blanc/coton)

Utiliser ce programme pour le séchage à chaleur élevée des serviettes, draps et vêtements de travail en coton.

### Heavy Duty (service intense)

Utiliser ce programme pour le séchage à chaleur élevée des charges mixtes lourdes tels que les articles encombrants, notamment les couvre-lits.

### Normal/Casual (normal/tout-aller)

Utiliser ce programme pour le séchage à température moyenne des tissus robustes tels que les chemises de sport, les vêtements de travail tout-aller et les mélanges de tissus à pressage permanent.

### Delicate (super délicat)

Utiliser ce programme pour le séchage à température basse des tissus synthétiques, tricotés lavables et tissus sans repassage.

### Extra Delicate (soin particulier)

Utiliser ce programme pour le séchage à température extra basse des articles tels que lingerie, vêtements de gymnastique ou voilages.

#### Préréglages des programmes automatiques

Programmes automatiques Type de charge	Temp.	Durée* (minutes)
<b>WHITE/COTTON (blanc/coton)</b> Serviettes, draps, vêtements de travail	High (élevée)	41
<b>HEAVY DUTY (service intense)</b> Charges mixtes lourdes, articles encombrants	High (élevée)	44
<b>NORMAL/CASUAL (normal/tout-aller)</b> Velours côtelé, pressage permanent	Medium (moyenne)	36
<b>DELICATE (articles délicats)</b> Lingerie, chemisiers	Low (basse)	32
<b>EXTRA DELICATE (super délicat)</b> Vêtements de gymnastique, rideaux fins, dentelle	Extra Low (extra basse)	22

\*Durée estimée avec le réglage Automatic Level (niveau automatique) à Normal.

## PROGRAMMES MANUELS

Utiliser les programmes manuels pour sélectionner une durée de séchage précise et une température de séchage. Lorsqu'un programme manuel est sélectionné, l'afficheur de la durée résiduelle estimée indique la durée réelle restante pour le programme en cours. Il est possible de modifier la durée réelle du programme en appuyant sur plus (+) ou moins (-). Voir "Mise en marche de la sècheuse".

### Timed Dry (séchage minuté)

Utiliser ce programme pour compléter le séchage si des articles sont encore humides après un programme automatique. Le séchage minuté est également utile pour le séchage d'articles lourds et encombrants tels que les couvre-lits et vêtements de travail.

### Touch Up (rafraîchissement)

Utiliser ce programme pour aider à aplanir les faux plis des articles tels que les vêtements qui ont séjourné dans une valise ou qui sont restés trop longtemps dans la sècheuse.

### Rapid Dry (séchage rapide)

Utiliser ce programme pour sécher les petites charges ou les articles qui requièrent un temps de séchage court.

### Dry Rack (séchage sur grille)

Utiliser ce programme pour sécher des articles sur la grille sans culbutage. Voir "Grille de séchage".

#### Préréglages des programmes manuels

Programmes manuels Type de charge	Temp.	Durée par défaut (minutes)
<b>TIMED DRY (séchage minuté)</b> Articles lourds et encombrants, couvre-lits, vêtements de travail	High (élevée)	40
<b>TOUCH UP (rafraîchissement)</b> Enlève les faux plis	Medium (moyenne)	20
<b>RAPID DRY (séchage rapide)</b> Petites charges	Medium (moyenne)	27
<b>DRY RACK</b> Séchage sans culbutage	Low* (basse)	60

\*Utiliser le réglage Air seulement pour les articles qui doivent être séchés sans chaleur, tels que le caoutchouc, le plastique et les tissus sensibles à la chaleur.

## Caractéristiques supplémentaires

### Extra Care (soin particulier)

La caractéristique Extra Care aide à aplanir les faux plis qui se forment lorsqu'on ne peut pas sortir la charge de la sècheuse dès la fin d'un programme. Au cours de cette option, la sècheuse arrête le culbutage puis effectue de nouveau un culbutage pendant une brève période. Lorsque la caractéristique Extra Care est activée, un signal sonore est émis périodiquement (si l'option de signal de fin de programme est activée).

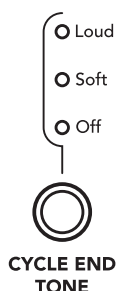
- Appuyer sur Extra Care pour obtenir jusqu'à 2 h 30 de culbutage périodique sans chaleur à la fin du programme.
- Arrêter la caractéristique Extra care à tout moment en appuyant sur Extra Care ou en ouvrant la porte de la sècheuse.
- Pour le programme automatique Normal/Casual (normal/tout-aller), la caractéristique Extra Care est préréglée à "On" (marche). Les autres programmes automatiques conservent le réglage de la caractéristique Extra Care. Par exemple, si on sélectionne Extra Care avec le programme Delicate (articles délicats), la caractéristique Extra Care sera sélectionnée la prochaine fois que vous utiliserez le programme Delicate.

**REMARQUE :** Lorsqu'on ne sélectionne pas Extra Care, la sècheuse s'arrête après la période de refroidissement.

## Cycle End Tone (signal de fin de programme)

Si l'option Cycle End Tone est sélectionnée, un signal se fait entendre lorsqu'un programme est terminé. Si la caractéristique Extra Care est sélectionnée, le signal est émis à intervalles de quelques minutes. Le signal s'arrête lorsqu'on ouvre la porte.

Appuyer sur la touche CYCLE END TONE pour sélectionner un signal moins fort (Soft) ou plus fort (Loud) ou pour désactiver le signal.



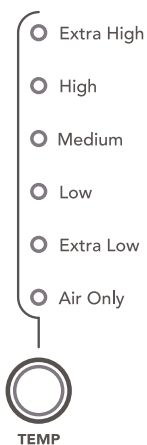
## Système sonore

Le système d'insonorisation WHISPER QUIET™ aide à préserver un environnement silencieux pendant le fonctionnement de la sècheuse.

**REMARQUE :** Si les vêtements ne sont pas convenablement chargés, le fonctionnement silencieux peut en être affecté.

## Température

Utiliser ces réglages pour sélectionner les températures des programmes manuels. Appuyer sur la touche TEMP jusqu'à ce que le réglage de température désiré s'illumine. Les réglages de température ne peuvent pas être utilisés avec les programmes automatiques.



## Air Only (air seulement)

Utiliser Air Only pour les articles qui doivent être séchés sans chaleur, tels que les articles en caoutchouc, en plastique et les tissus sensibles à la chaleur. Ce tableau donne des exemples d'articles qui peuvent être séchés au réglage Air Only.

Type de charge	Durée* (minutes)
Caoutchouc mousse - oreillers, soutiens-gorge rembourrés, jouets rembourrés	20 - 30
Plastique - rideaux de douche, nappes	20 - 30
Tapis à endos de caoutchouc	40 - 50
Plastique oléfinique, polypropylène, nylon diaphane	10 - 20

\*Régler de nouveau le programme pour compléter le séchage, si nécessaire.

## Utilisation du réglage Air Only (air seulement)

- Vérifier que les recouvrements sont bien cousus.
- Secouer et faire bouffer les oreillers à la main périodiquement pendant le programme.
- Sécher l'article complètement. Les oreillers en caoutchouc mousse sont lents à sécher.

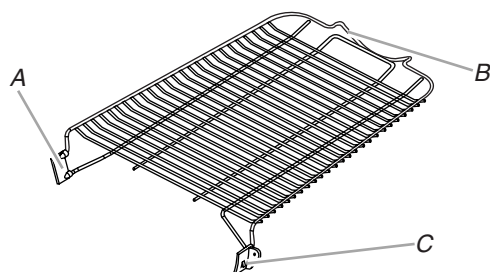
**REMARQUE :** Air Only n'est pas disponible avec les programmes automatiques.

## Grille de séchage

La grille de séchage est utile pour sécher les articles que l'on ne ferait pas nécessairement sécher par culbutage ou que l'on ferait normalement sécher sur une corde à linge (par exemple, les chandails). La grille de séchage peut seulement être utilisée avec le programme Dry Rack (séchage sur grille). Pendant ce programme, le tambour de la sècheuse ne fonctionne pas.

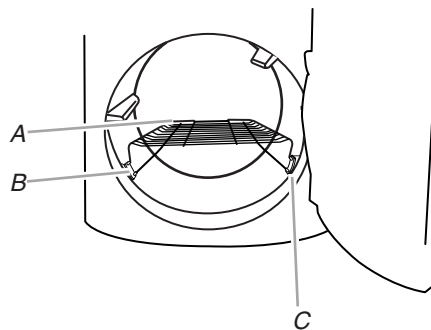
### Utilisation de la grille de séchage

1. Ouvrir la porte de la sècheuse.



A. Pieds avant  
B. Broche arrière  
C. Onglets de positionnement

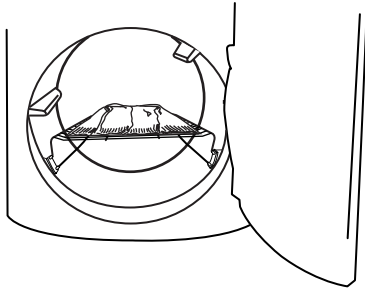
2. Placer la grille de séchage dans le tambour de la sècheuse en positionnant la broche arrière sur le rebord du panneau interne arrière de la sècheuse. Pousser vers le bas les pieds avant de la grille de séchage, tout en alignant les onglets de positionnement avec les crans de positionnement situés dans le tambour de la sècheuse.



A. Panneau arrière de la sècheuse  
B. Onglets de positionnement  
C. Crans de positionnement (à l'intérieur du tambour de la sècheuse)

- Placer les articles mouillés sur la grille de séchage. Laisser de l'espace entre les articles pour que l'air puisse atteindre toutes les surfaces.

**REMARQUE :** Ne pas laisser un article pendre par-dessus le bord de la grille.



- Fermer la porte.
- Sélectionner le programme Dry Rack (séchage sur grille). Les articles contenant de la mousse, du caoutchouc ou du plastique doivent être séchés sur une corde à linge ou au moyen du réglage de température à Air Only (Air seulement).
- Il faut sélectionner une durée de séchage en appuyant sur les touches (- ou +) de MANUAL DRY TIME (durée de séchage manuel). Régler de nouveau la durée au besoin pour compléter le séchage. Se référer au tableau suivant.
- Appuyer environ 1 seconde sur le bouton START (mise en marche)

**REMARQUE :** Vous devez enlever la grille pour le culbutage normal. Ne pas utiliser les programmes automatiques avec la grille de séchage.

Ce tableau montre des exemples d'articles qui peuvent être séchés sur une grille et indique le programme, le réglage de température et la durée de séchage suggérés. La durée de séchage réelle dépendra du degré d'humidité retenue dans les articles.

Séchage sur grille	Temp.	Durée*
<b>Chandails en laine</b> Étirer à la taille normale et étaler à plat sur la grille	Basse	60
<b>Jouets rembourrés ou oreillers</b> Rembourrage de coton ou de polyester	Basse	60
<b>Jouets rembourrés ou oreillers</b> Rembourrage en caoutchouc mousse	Air seulement (sans chaleur)	90
<b>Chaussures de tennis ou de toile</b>	Air seulement (sans chaleur)	90

\*(Minutes) Régler de nouveau la durée pour compléter le séchage, si nécessaire.

## ENTRETIEN DE LA SÉCHEUSE

### Nettoyage de l'emplacement de la sécheuse

Éviter de laisser des éléments qui pourraient obstruer le débit de combustion et empêcher une bonne ventilation autour de la sécheuse.

### ⚠ AVERTISSEMENT



#### Risque d'explosion

**Garder les matières et les vapeurs inflammables, telle que l'essence, loin de la sécheuse.**

**Placer la sécheuse au moins 46 cm (18 po) au-dessus du plancher pour une installation dans un garage.**

**Le non-respect de ces instructions peut causer un décès, une explosion ou un incendie.**

### Nettoyage du filtre à charpie

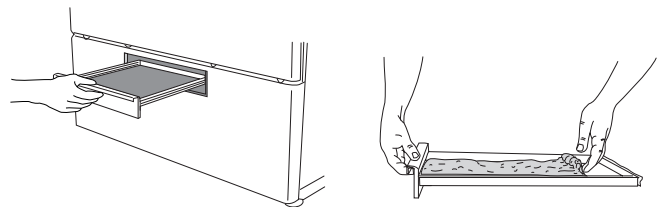
#### Nettoyage avant chaque charge

Le filtre à charpie est situé à l'avant de la sécheuse, sous la porte. Le message de rappel CLEAN LINT SCREEN (nettoyer le filtre à charpie) apparaît sur la fenêtre d'affichage. Un filtre obstrué de charpie peut augmenter la durée de séchage.

#### Nettoyage

- Tirer sur le filtre à charpie pour le sortir. Enlever la charpie du filtre en la roulant avec les doigts. Ne pas rincer ni laver le filtre pour enlever la charpie. La charpie mouillée s'enlève difficilement.

**REMARQUE :** Pour retirer entièrement le filtre à charpie, abaisser la languette.



- Remettre le filtre à charpie fermement en place.

#### IMPORTANT :

- Ne pas faire fonctionner la sécheuse avec un filtre à charpie déplacé, endommagé, bloqué ou manquant. Une telle action peut causer une surchauffe ou des dommages à la sécheuse et aux tissus.
- Si de la charpie tombe dans la sécheuse au moment du retrait du filtre, vérifier le conduit d'évacuation et retirer la charpie. Voir "Exigences concernant l'évacuation".

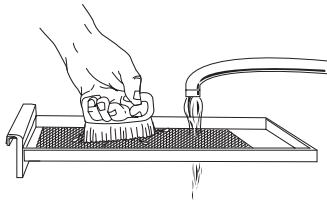
## Nettoyage au besoin

Les détergents et les assouplissants de tissu peuvent causer une accumulation de résidus sur le filtre à charpie. Cette accumulation peut augmenter les durées de séchage ou entraîner un arrêt de la sècheuse avant que la charge ne soit complètement sèche. Si de la charpie tombe du filtre, le filtre est probablement obstrué.

Nettoyer le filtre à charpie avec une brosse en nylon tous les 6 mois, ou plus fréquemment, s'il devient obstrué par suite d'une accumulation de résidus.

### Lavage

1. Enlever la charpie du filtre en la roulant avec les doigts.
2. Mouiller les deux côtés du filtre à charpie avec de l'eau chaude.
3. Mouiller une brosse en nylon avec de l'eau chaude et du détergent liquide. Frotter le filtre avec la brosse pour enlever l'accumulation de résidus.



4. Rincer le filtre à l'eau chaude.
5. Bien sécher le filtre à charpie avec une serviette propre. Réinstaller le filtre dans la sècheuse.

## Nettoyage de l'intérieur de la sècheuse

### Nettoyage du tambour de la sècheuse

1. Préparer une pâte avec un détergent à lessive en poudre et de l'eau très chaude.
2. Appliquer la pâte sur un linge doux.

**OU**

Appliquer un nettoyant liquide domestique ininflammable sur la surface tachée et frotter avec un linge doux jusqu'à ce que toute la teinture qui reste soit enlevée.

3. Essuyer complètement le tambour avec un linge humide.
4. Faire culbuter une charge de linge ou de serviettes propres pour sécher le tambour.

**REMARQUE :** Les vêtements contenant des teintures instables, tels que jeans en denim ou articles en coton de couleur vive, peuvent décolorer l'intérieur de la sècheuse. Ces taches ne sont pas nocives pour votre sècheuse et ne tacheront pas les vêtements des charges futures. Faire sécher les articles fabriqués d'une teinture instable en les tournant à l'envers pour éviter le transfert de la teinture.

## Nettoyage de l'extérieur de la sècheuse

Ne pas utiliser de tampons à récurer savonneux, de nettoyeurs abrasifs, de tampons en laine d'acier, de chiffons de lavage rugueux ou certains essuie-tout sur les surfaces en acier inoxydable. Des dommages peuvent survenir.

- Pour nettoyer les surfaces en acier inoxydable de la sècheuse, utiliser un chiffon pour acier inoxydable. Frotter dans la direction du grain.
- Pour nettoyer le revêtement décoratif facultatif, le retirer de la partie supérieure de la sècheuse et nettoyer les deux côtés avec un nettoyant tout-usage. Rincer à l'eau et sécher avec un chiffon doux sans charpie. Le réinstaller sur la partie supérieure de la sècheuse.

## Retrait de la charpie accumulée

### De l'intérieur de la caisse de la sècheuse

Retirer la charpie tous les 2 ans, ou plus souvent, selon l'utilisation de la sècheuse. Le nettoyage doit être effectué par une personne qualifiée.

### Du conduit d'évacuation

Retirer la charpie tous les 2 ans, ou plus souvent, selon l'utilisation de la sècheuse.

## Précautions à prendre pour les vacances et avant un déménagement

### Entretien avant les vacances

On ne doit faire fonctionner la sècheuse que lorsqu'on est présent. Si l'utilisateur doit partir en vacances ou n'utilise pas la sècheuse pendant une période prolongée, il convient d'exécuter les opérations suivantes :

1. Débrancher la sècheuse ou déconnecter la source de courant électrique.
2. Fermer le robinet d'arrêt de la canalisation de gaz.
3. Nettoyer le filtre à charpie.

### Précautions à prendre avant un déménagement

1. Débrancher le cordon d'alimentation électrique.
2. Fermer le robinet d'arrêt de la canalisation de gaz.
3. Débrancher le tuyau de la canalisation de gaz et retirer les raccords fixés sur le tuyau de la sècheuse.
4. Recouvrir la canalisation de gaz ouverte.
5. Utiliser du ruban adhésif de masquage pour fixer la porte de la sècheuse.



# DÉPANNAGE

Essayer d'abord les solutions suggérées ici, ce qui vous évitera peut-être le coût d'une visite de service...

## Fonctionnement de la sècheuse

### La sècheuse ne fonctionne pas

- **Un fusible est-il grillé ou le disjoncteur s'est-il déclenché?**  
Remplacer le fusible ou réenclencher le disjoncteur. Si le problème persiste, appeler un électricien.
- **A-t-on utilisé un fusible ordinaire?**  
Utiliser un fusible temporisé.
- **La porte de la sècheuse est-elle bien fermée?**
- **A-t-on bien enfoncé le bouton Start (mise en marche)?**  
Pour les charges importantes, il peut être nécessaire d'appuyer sur le bouton Start pendant au moins 1 seconde.

### Absence de chaleur

- **Un fusible est-il grillé ou le disjoncteur s'est-il déclenché?**  
Le tambour peut tourner, mais sans chaleur. Remplacer le fusible ou réenclencher le disjoncteur. Si le problème persiste, appeler un électricien.
- **Le robinet du conduit d'alimentation en gaz est-il ouvert?**

### Sons inhabituels

- **La sècheuse est-elle restée hors service pendant un certain temps?**  
Si la sècheuse n'a pas été utilisée depuis quelque temps, il est possible qu'elle émette des bruits saccadés au cours des premières minutes de fonctionnement.
- **S'agit-il d'une sècheuse à gaz?**  
Le dé clic du robinet de gaz est un bruit de fonctionnement normal.
- **Une pièce de monnaie, un bouton ou un trombone sont-ils coincés entre le tambour et l'avant ou l'arrière de la sècheuse?**  
Vérifier les bords avant et arrière du tambour pour voir si de petits objets y sont coincés. Vider les poches avant le lavage.
- **Les quatre pieds sont-ils installés et la sècheuse est-elle d'aplomb de l'avant vers l'arrière et latéralement?**  
La sècheuse peut vibrer si elle n'est pas correctement installée. Voir les instructions d'installation.
- **Les vêtements sont-ils emmêlés ou en boule?**  
Une charge en boule rebondit, ce qui fait vibrer la sècheuse. Séparer les articles de la charge et remettre la sècheuse en marche.

### La sècheuse affiche un message codé

- **"PF" (panne de courant), vérifier ce qui suit :**  
Le programme de séchage a-t-il été interrompu par une panne de courant?  
Appuyer sans relâcher sur START pour remettre la sècheuse en marche.
- **Codes de service "E" (E1, E2, E3) variables :**  
Faire un appel de service.

## Résultats de la sècheuse

**Le séchage des vêtements n'est pas satisfaisant, les durées de séchage sont trop longues ou la charge est trop chaude**

- **Le filtre à charpie est-il obstrué de charpie?**  
Le filtre à charpie doit être nettoyé avant chaque charge.

### **AVERTISSEMENT**



#### Risque d'incendie

Utiliser un conduit d'évacuation en métal lourd.

Ne pas utiliser un conduit d'évacuation en plastique.

Ne pas utiliser un conduit d'évacuation en feuille de métal.

Le non-respect de ces instructions peut causer un décès ou un incendie.

- **Le conduit d'évacuation ou le clapet d'évacuation à l'extérieur est-il obstrué de charpie, restreignant le mouvement de l'air?**  
Faire fonctionner la sècheuse pendant 5 à 10 minutes. Tenir la main sous le clapet d'évacuation à l'extérieur pour vérifier le mouvement de l'air. Si aucun mouvement d'air n'est perceptible, ôter la charpie présente dans le système d'évacuation ou remplacer le conduit d'évacuation par un conduit en métal lourd ou flexible en métal. Voir les instructions d'installation.
- **Des feuilles d'assouplissant de tissus bloquent-elles la grille de sortie?**  
Utiliser seulement une feuille d'assouplissant par charge et l'utiliser une seule fois.
- **Le conduit d'évacuation a-t-il la longueur appropriée?**  
Vérifier que le conduit d'évacuation n'est pas trop long ou ne comporte pas trop de changements de direction. Un long conduit augmentera les durées de séchage. Voir les instructions d'installation.
- **Le diamètre du conduit d'évacuation a-t-il la taille correcte?**  
Utiliser un composant de 4" (10,2 cm) de diamètre.

## **AVERTISSEMENT**



### **Risque d'explosion**

Garder les matières et les vapeurs inflammables, telle que l'essence, loin de la sècheuse.

Placer la sècheuse au moins 46 cm (18 po) au-dessus du plancher pour une installation dans un garage.

Le non-respect de ces instructions peut causer un décès, une explosion ou un incendie.

- **La sècheuse se trouve-t-elle dans une pièce où la température ambiante est inférieure à 45°F (7°C)?**  
Le bon fonctionnement des programmes de la sècheuse nécessite une température ambiante supérieure à 45°F (7°C).
- **La sècheuse est-elle installée dans un placard?**  
Les portes du placard doivent comporter des ouvertures d'aération au sommet et en bas de la porte. Un espace de 5" (12,7 cm) est nécessaire à l'arrière de la sècheuse. Voir les instructions d'installation.
- **A-t-on sélectionné un programme de séchage à l'air?**  
Choisir le bon programme pour les types de vêtements à sécher. Voir "Programmes".
- **La charge est-elle trop grosse et trop lourde pour sécher rapidement?**  
Séparer la charge pour qu'elle culbute librement.

### **Temps de programme trop court**

## **AVERTISSEMENT**

### **Risque du poids excessif**

Utiliser deux ou plus de personnes pour déplacer et installer la sècheuse.

Le non-respect de cette instruction peut causer une blessure au dos ou d'autre blessure.

- **Le programme automatique se termine-t-il trop tôt?**  
La charge n'est peut-être pas en contact avec les bandes de détection. Régler l'aplomb de la sècheuse.  
  
Modifier le réglage de degré de séchage pour les programmes automatiques. L'augmentation ou la diminution du degré de séchage modifiera la durée de séchage d'un programme.

### **Charpie sur la charge**

- **Le filtre à charpie est-il obstrué?**  
Nettoyer le filtre à charpie. Vérifier le mouvement de l'air.

### **Taches sur la charge ou sur le tambour**

- **L'assouplissant de tissus pour sècheuse a-t-il été utilisé correctement?**  
Ajouter les feuilles d'assouplissant de tissus au début du programme. Les feuilles d'assouplissant de tissus ajoutées à une charge partiellement sèche peuvent tacher les vêtements.

Les taches sur le tambour sont dues aux teintures contenues dans les vêtements (les jeans en général). Il n'y aura pas de transfert sur les autres vêtements.

### **Charges avec faux plis**

- **La charge a-t-elle été retirée de la sècheuse à la fin du programme?**
- **La sècheuse a-t-elle été surchargée?**  
Faire sécher de plus petites charges qui peuvent culbutter librement.

### **Odeurs**

- **Avez-vous récemment employé peinture, teinture ou vernis dans la pièce où est installée votre sècheuse?**  
Si c'est le cas, aérer la pièce. Une fois les odeurs ou émanations disparues, laver et sécher à nouveau les vêtements.

## **ASSISTANCE OU SERVICE**

Avant de faire un appel pour assistance ou service, consulter la section "Dépannage". Ce guide peut vous faire économiser le coût d'une visite de service. Si vous avez encore besoin d'aide, suivre les instructions ci-dessous.

Lors d'un appel, veuillez connaître la date d'achat, le numéro de modèle et le numéro de série au complet de l'appareil. Ces renseignements nous aideront à mieux répondre à votre demande.

### **Si vous avez besoin de pièces de rechange**

Si vous avez besoin de commander des pièces de rechange, nous vous recommandons d'employer uniquement des pièces spécifiées par l'usine. Les pièces spécifiées par l'usine fonctionneront bien parce qu'elles sont fabriquées avec la même précision que celles utilisées dans la fabrication de chaque nouvel appareil KITCHENAID®.

Pour localiser des pièces spécifiées par l'usine dans votre région, appeler le Centre pour l'expérience de la clientèle ou le centre de service désigné le plus proche.

Veuillez appeler sans frais le Centre d'interaction avec la clientèle de KitchenAid Canada au : **1-800-807-6777**.

### **Nos consultants vous renseigneront sur les sujets suivants :**

- Caractéristiques et spécifications sur toute notre gamme d'appareils électroménagers.
- Consignes d'utilisation et d'entretien.
- Ventes d'accessoires et pièces de rechange.
- Références aux marchands locaux, aux distributeurs de pièces de rechange et aux compagnies de service. Les techniciens de service désignés par KitchenAid Canada sont formés pour remplir la garantie des produits et fournir un service après la garantie, partout au Canada.

### **Pour plus d'assistance**

Si vous avez besoin de plus d'assistance, vous pouvez soumettre par écrit toute question ou préoccupation à KitchenAid Canada à l'adresse suivante :

Centre d'interaction avec la clientèle  
KitchenAid Canada  
1901 Minnesota Court  
Mississauga, Ontario L5N 3A7

Veuillez inclure dans votre correspondance un numéro de téléphone où l'on peut vous joindre dans la journée.

# GARANTIE DE LA SÉCHEUSE KITCHENAID® PRO LINE™

## GARANTIE LIMITÉE DE CINQ ANS SUR LES PIÈCES ET LA MAIN-D'ŒUVRE

Pendant cinq ans à compter de la date d'achat, lorsque ce gros appareil ménager est utilisé et entretenu conformément aux instructions jointes à ou fournies avec le produit, KitchenAid ou KitchenAid Canada (ci-après désignées "KitchenAid") paiera pour les pièces de rechange spécifiées par l'usine et la main-d'œuvre pour corriger les vices de matériaux ou de fabrication. Le service doit être fourni par une compagnie de service désignée par KitchenAid.

## GARANTIE LIMITÉE À VIE SUR LE FINI EXTÉRIEUR EN ACIER INOXYDABLE ET LE TAMBOUR EN ACIER INOXYDABLE

Pendant la durée de vie du gros appareil ménager, lorsque celui-ci est utilisé et entretenu conformément aux instructions jointes à ou fournies avec le produit, KitchenAid paiera pour les pièces de rechange spécifiées par l'usine pour l'extérieur en acier inoxydable et le tambour en acier inoxydable s'il s'écaille ou rouille à cause de vices de matériaux ou de fabrication.

## KITCHENAID NE PRENDRA PAS EN CHARGE

1. Les visites de service pour rectifier l'installation du gros appareil ménager, montrer à l'utilisateur comment utiliser l'appareil, remplacer ou réparer des fusibles ou rectifier le câblage ou la plomberie du domicile.
2. Les visites de service pour réparer ou remplacer les ampoules électriques de l'appareil, les filtres à air ou les filtres à eau. Ces pièces consommables ne sont pas couvertes par la garantie.
3. Les réparations lorsque le gros appareil ménager est utilisé à des fins autres que l'usage unifamilial normal.
4. Les dommages imputables à : accident, modification, usage impropre ou abusif, incendie, inondation, actes de Dieu, installation fautive ou installation non conforme aux codes d'électricité ou de plomberie, ou l'utilisation de produits non approuvés par KitchenAid.
5. Le coût des pièces de rechange et de la main-d'œuvre pour les appareils utilisés hors des États-Unis ou du Canada.
6. Le ramassage et la livraison. Ce gros appareil ménager est conçu pour être réparé à domicile.
7. Les réparations aux pièces ou systèmes résultant d'une modification non autorisée faite à l'appareil.
8. Les frais de voyage et de transport pour le service d'un produit dans les régions éloignées.
9. La dépose et la réinstallation de votre appareil si celui-ci est installé dans un endroit inaccessible ou n'est pas installé conformément aux instructions d'installation fournies.

## CLAUSE D'EXONÉRATION DE RESPONSABILITÉ AU TITRE DES GARANTIES IMPLICITES; LIMITATION DES RECOURS

LE SEUL ET EXCLUSIF RECOURS DU CLIENT DANS LE CADRE DE LA PRÉSENTE GARANTIE LIMITÉE CONSISTE EN LA RÉPARATION PRÉVUE CI-DESSUS. LES GARANTIES IMPLICITES, Y COMPRIS LES GARANTIES APPLICABLES DE QUALITÉ MARCHANDE ET D'APTITUDE À UN USAGE PARTICULIER, SONT LIMITÉES À UN AN OU À LA PLUS COURTE PÉRIODE AUTORISÉE PAR LA LOI. KITCHENAID N'ASSUME AUCUNE RESPONSABILITÉ POUR LES DOMMAGES FORTUITS OU INDIRECTS. CERTAINES JURIDICTIONS NE PERMETTENT PAS L'EXCLUSION OU LA LIMITATION DES DOMMAGES FORTUITS OU INDIRECTS, OU LES LIMITATIONS DE LA DURÉE DES GARANTIES IMPLICITES DE QUALITÉ MARCHANDE OU D'APTITUDE À UN USAGE PARTICULIER, DE SORTE QUE CES EXCLUSIONS OU LIMITATIONS PEUVENT NE PAS S'APPLIQUER DANS VOTRE CAS. CETTE GARANTIE VOUS CONFÈRE DES DROITS JURIDIQUES SPÉCIFIQUES ET VOUS POUVEZ ÉGALEMENT JOUIR D'AUTRES DROITS QUI PEUVENT VARIER D'UNE JURIDICTION À UNE AUTRE.

À l'extérieur du Canada et des 50 États des États-Unis, cette garantie ne s'applique pas. Contacter votre marchand KitchenAid autorisé pour déterminer si une autre garantie s'applique.

Si vous avez besoin de service, voir d'abord la section "Dépannage" du Guide d'utilisation et d'entretien. Après avoir vérifié la section "Dépannage", de l'aide supplémentaire peut être trouvée en vérifiant la section "Assistance ou service" ou en appelant KitchenAid. Aux É.-U., composer le **1-800-422-1230**. Au Canada, composer le **1-800-807-6777**. 2/06

**Conservez ce manuel et votre reçu de vente ensemble pour référence ultérieure. Pour le service sous garantie, vous devez présenter un document prouvant la date d'achat ou d'installation.**

Inscrivez les renseignements suivants au sujet de votre gros appareil ménager pour mieux vous aider à obtenir assistance ou service en cas de besoin. Vous devrez connaître le numéro de modèle et le numéro de série au complet. Vous trouverez ces renseignements sur la plaque signalétique située sur le produit.

Nom du marchand \_\_\_\_\_

Adresse \_\_\_\_\_

Numéro de téléphone \_\_\_\_\_

Numéro de modèle \_\_\_\_\_

Numéro de série \_\_\_\_\_

Date d'achat \_\_\_\_\_

**3957653A**

© 2006. All rights reserved.  
Tous droits réservés.

® Registered Trademark/TM Trademark of KitchenAid, U.S.A., KitchenAid Canada licensee in Canada  
® Marque déposée/TM Marque de commerce de KitchenAid, U.S.A., Emploi licencié par KitchenAid Canada au Canada

5/06  
Printed in U.S.A.  
Imprimé aux É.-U.

## Free Manuals Download Website

<http://myh66.com>

<http://usermanuals.us>

<http://www.somanuals.com>

<http://www.4manuals.cc>

<http://www.manual-lib.com>

<http://www.404manual.com>

<http://www.luxmanual.com>

<http://aubethermostatmanual.com>

Golf course search by state

<http://golfingnear.com>

Email search by domain

<http://emailbydomain.com>

Auto manuals search

<http://auto.somanuals.com>

TV manuals search

<http://tv.somanuals.com>