

KitchenAid®

FRONT-LOADING ELECTRIC DRYER

Use & Care Guide

For questions about features, operation/performance, parts accessories or service, call: **1-800-422-1230**
In Canada, call for assistance **1-800-461-5681**, for installation and service, call: **1-800-807-6777** or visit our website at...
www.kitchenaid.com or www.KitchenAid.ca

SECADORA ELÉCTRICA DE CARGA FRONTAL

Manual de Uso y Cuidado

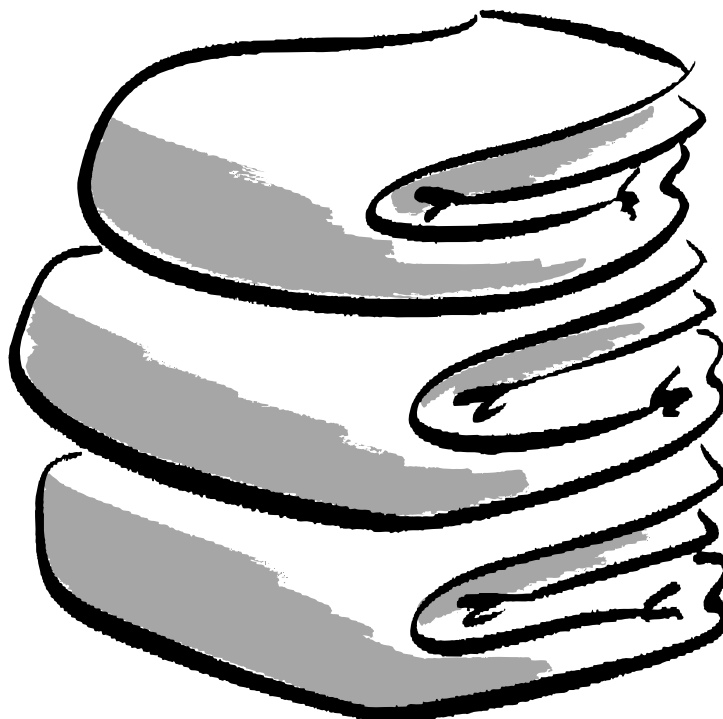
Si tiene preguntas respecto a las características, funcionamiento/rendimiento, partes, accesorios o servicio técnico, llame al: **1-800-422-1230**
Para la instalación y el servicio técnico llame al: **1-800-807-6777** o visite nuestro sitio web en... www.kitchenaid.com

SÉCHEUSE ÉLECTRIQUE À CHARGEMENT À L'AVANT

Guide d'utilisation et d'entretien

Au Canada, pour assistance composez le **1-800-461-5681**, pour installation ou service composez le **1-800-807-6777**
ou visitez notre site web à... www.KitchenAid.ca

Table of Contents/Índice/Table des matières.....2-3



Models/Modelos/Modèles KEHS01P, YKEHS01P
8557328A

TABLE OF CONTENTS

| | |
|--|-----------|
| DRYER SAFETY | 4 |
| INSTALLATION INSTRUCTIONS | 5 |
| Tools and Parts..... | 5 |
| Options..... | 5 |
| Location Requirements..... | 5 |
| Electrical Requirements - U.S.A. Only..... | 7 |
| Electrical Requirements - Canada Only..... | 8 |
| Electrical Connection - U.S.A. Only..... | 9 |
| Venting Requirements..... | 13 |
| Plan Vent System..... | 14 |
| Install Vent System..... | 15 |
| Install Leveling Legs..... | 15 |
| Level Dryer..... | 16 |
| Connect Vent..... | 16 |
| Reverse Door Swing..... | 16 |
| Complete Installation..... | 17 |
| DRYER USE | 18 |
| Starting Your Dryer..... | 18 |
| Stopping Your Dryer..... | 19 |
| Pausing or Restarting..... | 19 |
| Control Locked..... | 19 |
| Loading..... | 19 |
| Drying and Cycle Tips..... | 19 |
| Status Lights..... | 20 |
| Cycles..... | 20 |
| Additional Features..... | 21 |
| Drying Rack..... | 22 |
| DRYER CARE | 23 |
| Cleaning the Dryer Location..... | 23 |
| Cleaning the Lint Screen..... | 23 |
| Cleaning the Dryer Interior..... | 23 |
| Removing Accumulated Lint..... | 23 |
| Vacation and Moving Care..... | 23 |
| Changing the Drum Light..... | 24 |
| TROUBLESHOOTING | 24 |
| ASSISTANCE OR SERVICE | 25 |
| In the U.S.A..... | 25 |
| In Canada..... | 25 |
| WARRANTY | 26 |

ÍNDICE

| | |
|--|-----------|
| SEGURIDAD DE LA SECADORA | 27 |
| INSTRUCCIONES DE INSTALACIÓN | 28 |
| Herramientas y piezas..... | 28 |
| Opciones..... | 28 |
| Requisitos de ubicación..... | 28 |
| Requisitos eléctricos - EE. UU..... | 30 |
| Conexión eléctrica - Sólo en EE. UU..... | 32 |
| Requisitos de ventilación..... | 36 |
| Planificación del sistema de ventilación..... | 36 |
| Instalación del sistema de ventilación..... | 38 |
| Instalación de las patas niveladoras..... | 38 |
| Nivelación de la secadora..... | 39 |
| Conexión del ducto de escape..... | 39 |
| Cómo invertir el cierre de la puerta..... | 39 |
| Complete la instalación..... | 40 |
| USO DE LA SECADORA | 41 |
| Puesta en marcha de la secadora..... | 41 |
| Detención de la marcha de la secadora..... | 42 |
| Pausa o reanudación de la marcha..... | 42 |
| Control bloqueado..... | 42 |
| Cómo cargar..... | 42 |
| Sugerencias de ciclos y secado..... | 42 |
| Luces de estado..... | 43 |
| Ciclos..... | 43 |
| Características adicionales..... | 44 |
| Estante de secado..... | 45 |
| CUIDADO DE LA SECADORA | 46 |
| Limpieza del lugar donde está la secadora..... | 46 |
| Limpieza del filtro de pelusa..... | 46 |
| Limpieza del interior de la secadora..... | 47 |
| Eliminación de pelusa acumulada..... | 47 |
| Cuidado para las vacaciones y la mudanza..... | 47 |
| Cambio de la luz del tambor..... | 47 |
| SOLUCIÓN DE PROBLEMAS | 48 |
| AYUDA O SERVICIO TÉCNICO | 49 |
| GARANTÍA | 50 |

TABLE DES MATIÈRES

| | |
|---|-----------|
| SÉCURITÉ DE LA SÈCHEUSE | 51 |
| INSTRUCTIONS D'INSTALLATION | 52 |
| Outils et pièces nécessaires | 52 |
| Options | 52 |
| Emplacement d'installation..... | 52 |
| Spécifications électriques - Canada seulement | 54 |
| Exigences concernant l'évacuation | 55 |
| Planification du système d'évacuation | 56 |
| Installation du conduit d'évacuation..... | 57 |
| Installation des pieds de nivellement..... | 58 |
| Mise à niveau de la sècheuse | 58 |
| Conduit d'évacuation..... | 58 |
| Inversion de l'ouverture de la porte | 58 |
| Achever l'installation | 60 |
| UTILISATION DE LA SÈCHEUSE | 61 |
| Mise en marche de la sècheuse | 61 |
| Arrêt de la sècheuse | 62 |
| Arrêt ou remise en marche..... | 62 |
| Verrouillage des commandes | 62 |
| Chargement..... | 62 |
| Conseils pour le séchage et les programmes | 63 |
| Témoins lumineux | 63 |
| Programmes..... | 64 |
| Caractéristiques supplémentaires | 65 |
| Grille de séchage..... | 66 |
| ENTRETIEN DE LA SÈCHEUSE | 67 |
| Nettoyage de l'emplacement de la sècheuse | 67 |
| Nettoyage du filtre à charpie..... | 67 |
| Nettoyage de l'intérieur de la sècheuse | 68 |
| Retrait de la charpie accumulée | 68 |
| Précautions à prendre pour les vacances et avant un déménagement | 68 |
| Changement de l'ampoule d'éclairage du tambour..... | 68 |
| DÉPANNAGE | 69 |
| ASSISTANCE OU SERVICE | 70 |
| GARANTIE | 71 |

DRYER SAFETY

Your safety and the safety of others are very important.

We have provided many important safety messages in this manual and on your appliance. Always read and obey all safety messages.



This is the safety alert symbol.

This symbol alerts you to potential hazards that can kill or hurt you and others.

All safety messages will follow the safety alert symbol and either the word "DANGER" or "WARNING."

These words mean:

⚠ DANGER

You can be killed or seriously injured if you don't immediately follow instructions.

⚠ WARNING

You can be killed or seriously injured if you don't follow instructions.

All safety messages will tell you what the potential hazard is, tell you how to reduce the chance of injury, and tell you what can happen if the instructions are not followed.

IMPORTANT SAFETY INSTRUCTIONS

WARNING: To reduce the risk of fire, electric shock, or injury to persons when using the dryer, follow basic precautions, including the following:

- Read all instructions before using the dryer.
- Do not place items exposed to cooking oils in your dryer. Items contaminated with cooking oils may contribute to a chemical reaction that could cause a load to catch fire.
- Do not dry articles that have been previously cleaned in, washed in, soaked in, or spotted with gasoline, dry-cleaning solvents, other flammable, or explosive substances as they give off vapors that could ignite or explode.
- Do not allow children to play on or in the dryer. Close supervision of children is necessary when the dryer is used near children.
- Before the dryer is removed from service or discarded, remove the door to the drying compartment.
- Do not reach into the dryer if the drum is moving.
- Do not install or store the dryer where it will be exposed to the weather.
- Do not tamper with controls.
- Do not repair or replace any part of the dryer or attempt any servicing unless specifically recommended in this Use and Care Guide or in published user-repair instructions that you understand and have the skills to carry out.
- Do not use fabric softeners or products to eliminate static unless recommended by the manufacturer of the fabric softener or product.
- Do not use heat to dry articles containing foam rubber or similarly textured rubber-like materials.
- Clean lint screen before or after each load.
- Keep area around the exhaust opening and adjacent surrounding areas free from the accumulation of lint, dust, and dirt.
- The interior of the dryer and exhaust vent should be cleaned periodically by qualified service personnel.
- See installation instructions for grounding requirements.

SAVE THESE INSTRUCTIONS

INSTALLATION INSTRUCTIONS

Tools and Parts

Gather the required tools and parts before starting installation. Read and follow the safety instructions provided with any tools listed here.

- Flat-blade screwdriver
- Adjustable wrench that opens to 1" (2.5 cm) or hex-head socket wrench (for adjusting dryer feet)
- Level
- Wire stripper (direct wire installations)
- #2 Phillips screwdriver
- Vent clamps
- Caulking gun and compound (for installing new exhaust vent)
- Tin snips (new vent installations)
- ¼" nut driver

Parts supplied

Remove parts packages from dryer drum. Check that all parts are included.



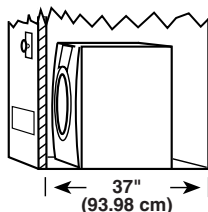
4 Leveling legs

NOTE: Do not use leveling legs if installing the dryer on a pedestal.

Parts needed

Check local codes. Check existing electrical supply and venting. See "Electrical Requirements" and "Venting Requirements" before purchasing parts.

- For close-clearance installations between 31.5" (80.01 cm) and 37" (93.98 cm), see "Plan Vent System" section for venting requirements.

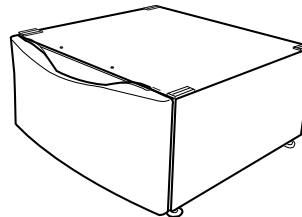


Mobile home installations require metal exhaust system hardware available for purchase from the dealer from whom you purchased your dryer. For further information, please refer to the "Assistance or Service" section of this manual.

Options

Pedestal

Are you placing the dryer on a pedestal? You may purchase a pedestal separately for this dryer. This pedestal will add about 13" (33 cm) to the height of your unit for a total height of approximately 51" (130 cm).



Optional pedestal

To order, call the dealer from whom you purchased your dryer or refer to the "Assistance or Service" section of this manual. Ask for Part Number LAB2700PMT (Meteorite) or LAB2700MQ0 (White).

Stack Kit

Are you planning to stack your washer and dryer? To do so, you will need to purchase a Stack Kit.

To order, call the dealer from whom you purchased your dryer or refer to the "Assistance or Service" section of this manual. Ask for Part Number 8541503.

Location Requirements

⚠ WARNING



Explosion Hazard

Keep flammable materials and vapors, such as gasoline, away from dryer.

Place dryer at least 18 inches (46 cm) above the floor for a garage installation.

Failure to do so can result in death, explosion, or fire.

You will need

- A location that allows for proper exhaust installation. See "Venting Requirements."
- A separate 30 amp circuit.
- A grounded electrical outlet located within 2 ft (61 cm) of either side of the dryer. See "Electrical Requirements."

- A sturdy floor to support the total dryer weight of 200 lbs (90.7 kg). The combined weight of a companion appliance should also be considered.
- A level floor with a maximum slope of 1" (2.5 cm) under entire dryer. If slope is greater than 1" (2.5 cm), install Extended Dryer Feet Kit, Part Number 279810. Clothes may not tumble properly and automatic sensor cycles may not operate correctly if dryer is not level.
- For a garage installation, you will need to place the dryer at least 18" (46 cm) above the floor. If using a pedestal, you will need an additional 6" (15.24 cm).

Do not operate your dryer at temperatures below 45°F (7°C). At lower temperatures, the dryer might not shut off at the end of an automatic cycle. This can result in longer drying times.

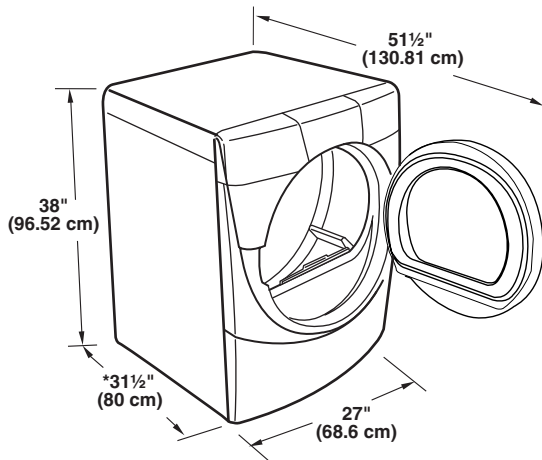
The dryer must not be installed or stored in an area where it will be exposed to water and/or weather.

Check code requirements. Some codes limit, or do not permit, installation of the dryer in garages, closets, mobile homes, or sleeping quarters. Contact your local building inspector.

Installation clearances

- The location must be large enough to fully open the dryer door.
- Additional spacing should be considered for ease of installation and servicing.
- Additional clearances might be required for wall, door and floor moldings.
- Additional spacing of 1" (2.5 cm) on all sides of the dryer is recommended to reduce noise transfer.
- Companion appliance spacing should also be considered.

Dryer Dimensions

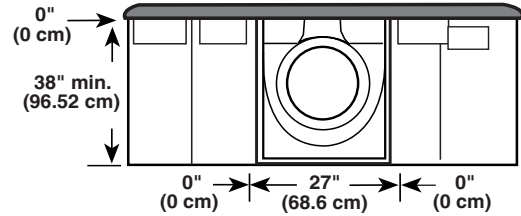


*Most installations require a minimum 5 1/2" (14 cm) clearance behind the dryer for the exhaust vent with elbow. See "Venting Requirements."

Minimum installation spacing for custom undercounter installation

The dimensions shown are for the minimum spacing allowed.

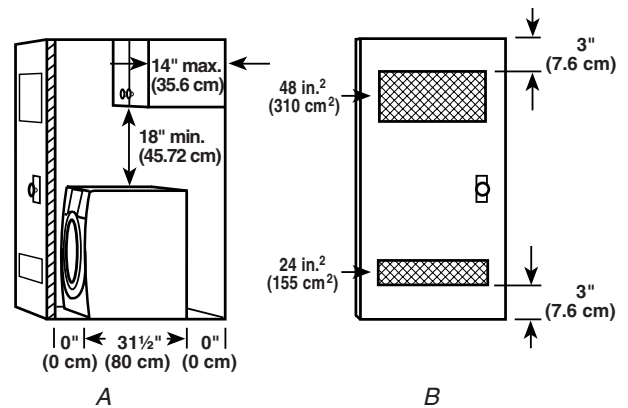
Custom undercounter installation - Dryer only



Minimum installation spacing for recessed or closet installation, with or without a pedestal

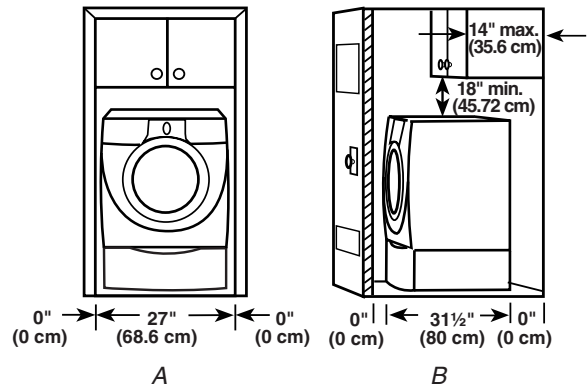
- The dimensions shown are for the minimum spacing allowed.
- For closet installation, with a door, minimum ventilation openings in the top and bottom of the door are required. Louvered doors with equivalent ventilation openings are acceptable.

Closet installation - Dryer only



A. Side view - closet or confined area
B. Closet door with vents

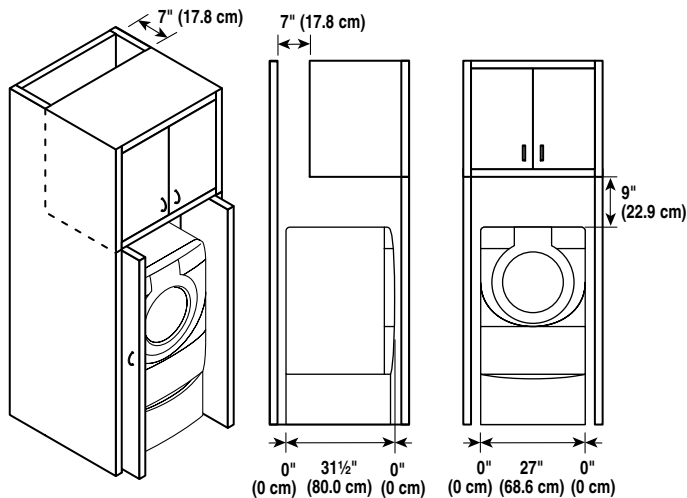
Recessed or closet installation - Dryer on pedestal



A. Recessed area
B. Side view - closet or confined area

Minimum installation spacing for cabinet installation

- The dimensions shown are for the minimum spacing allowed.
- For cabinet installation, with a door, minimum ventilation openings in the top of the cabinet are required.



Mobile home - Additional installation requirements

This dryer is suitable for mobile home installations. The installation must conform to the Manufactured Home Construction and Safety Standard, Title 24 CFR, Part 3280 (formerly the Federal Standard for Mobile Home Construction and Safety, Title 24, HUD Part 280) or Standard CAN/CSA-Z240 MH.

Mobile home installations require:

- Metal exhaust system hardware which is available for purchase from your dealer.
- Special provisions must be made in mobile homes to introduce outside air into the dryer. The opening (such as a nearby window) should be at least twice as large as the dryer exhaust opening.

Electrical Requirements - U.S.A. Only

It is your responsibility

- To contact a qualified electrical installer.
- To be sure that the electrical connection is adequate and in conformance with the National Electrical Code, ANSI/NFPA 70-latest edition and all local codes and ordinances.
The National Electric Code requires a 4-wire power supply connection for homes built after 1996, dryer circuits involved in remodeling after 1996, and all mobile home installations.
A copy of the above code standards can be obtained from: National Fire Protection Association, One Batterymarch Park, Quincy, MA 02269.
- To supply the required 3 or 4 wire, single phase, 120/240-volt, 60-Hz., AC-only electrical supply (or 3 or 4 wire, 120/208-volt electrical supply, if specified on the serial/rating plate) on a separate 30-amp circuit, fused on both sides of the line. A time-delay fuse or circuit breaker is recommended. Connect to an individual branch circuit. Do not have a fuse in the neutral or grounding circuit.
- Do not use an extension cord.
- If codes permit and a separate ground wire is used, it is recommended that a qualified electrician determine that the ground path is adequate.

Electrical Connection

To properly install your dryer, you must determine the type of electrical connection you will be using and follow the instructions provided for it here.

- This dryer is manufactured ready to install with a 3-wire electrical supply connection. The green cabinet-grounding conductor is permanently connected to the neutral conductor (white wire) within the dryer. If the dryer is installed with a 4-wire electrical supply connection, the green cabinet-grounding conductor must be removed from the external ground connector (green screw), and secured under the neutral terminal (center or white wire) of the terminal block. When the green cabinet-grounding conductor is secured under the neutral terminal (center or white wire) of the terminal block, the dryer cabinet is isolated from the neutral conductor.
- If local codes do not permit the connection of a cabinet ground connector to the neutral wire, see "Optional 3-wire connection" section.
- Use a 4-wire conductor cord when the dryer is installed in a mobile home or an area where local codes do not permit grounding through the neutral.

If using a power supply cord:

Use a UL listed power supply cord kit marked for use with clothes dryers. The kit should contain:

- A UL listed 30 amp power supply cord, rated 120/240 volt minimum. The cord should be type SRD or SRDT and be at least 4 ft (1.22 m) long. The wires that connect to the dryer must end in ring terminals or spade terminals with upturned ends.
- A UL listed strain relief.

If your outlet looks like this:



4-wire receptacle (14-30R)

Then choose a 4-wire power supply cord with ring or spade terminals and UL listed strain relief. The 4-wire power supply cord, at least 4 ft (1.22 m) long, must have 4, 10-gauge copper wires and match a 4-wire receptacle of NEMA Type 14-30R. The ground wire (ground conductor) may be either green or bare. The neutral conductor must be identified by a white cover.

If your outlet looks like this:



3-wire receptacle (10-30R)

Then choose a 3-wire power supply cord with ring or spade terminals and UL listed strain relief. The 3-wire power supply cord, at least 4 ft (1.22 m) long, must have 3, 10-gauge copper wires and match a 3-wire receptacle of NEMA Type 10-30R.

If connecting by direct wire:

Power supply cable must match power supply (4-wire or 3-wire) and be:

- Flexible armored cable or nonmetallic sheathed copper cable (with ground wire), protected with flexible metallic conduit. All current-carrying wires must be insulated.
- 10-gauge solid copper wire (do not use aluminum).
- At least 5 ft (1.52 m) long.

GROUNDING INSTRUCTIONS


- For a grounded, cord-connected dryer:
This dryer must be grounded. In the event of malfunction or breakdown, grounding will reduce the risk of electric shock by providing a path of least resistance for electric current. This dryer uses a cord having an equipment-grounding conductor and a grounding plug. The plug must be plugged into an appropriate outlet that is properly installed and grounded in accordance with all local codes and ordinances.
- For a permanently connected dryer:
This dryer must be connected to a grounded metal, permanent wiring system, or an equipment-grounding conductor must be run with the circuit conductors and connected to the equipment-grounding terminal or lead on the dryer.

WARNING: Improper connection of the equipment-grounding conductor can result in a risk of electric shock. Check with a qualified electrician or service representative or personnel if you are in doubt as to whether the dryer is properly grounded. Do not modify the plug on the power supply cord: if it will not fit the outlet, have a proper outlet installed by a qualified electrician.

SAVE THESE INSTRUCTIONS

Electrical Requirements - Canada Only

⚠ WARNING



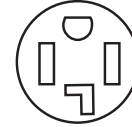
Electrical Shock Hazard

Plug into a grounded 4 prong outlet.
Failure to do so can result in death or electrical shock.

It is your responsibility

- To contact a qualified electrical installer.
- To be sure that the electrical connection is adequate and in conformance with the Canadian Electrical Code, C22.1-latest edition and all local codes. A copy of the above codes standard may be obtained from: Canadian Standards Association, 178 Rexdale Blvd., Toronto, ON M9W 1R3 CANADA.

- To supply the required 4 wire, single phase, 115/230-volt, 60-Hz., AC-only electrical supply on a separate 30-amp circuit, fused on both sides of the line. A time-delay fuse or circuit breaker is recommended. Connect to an individual branch circuit.
- This dryer is equipped with a CSA International Certified Power Cord intended to be plugged into a standard 14-30R wall receptacle. The cord is 5 ft (1.52 m) in length. Be sure wall receptacle is within reach of dryer's final location.



4-wire receptacle 14-30R

- Do not use an extension cord.

If using a replacement power supply cord, it is recommended that you use Power Supply Cord Replacement Part Number 9831317. For further information, please reference the service numbers located in the "Assistance or Service" section on this manual.

GROUNDING INSTRUCTIONS

- For a grounded, cord-connected dryer:
This dryer must be grounded. In the event of malfunction or breakdown, grounding will reduce the risk of electric shock by providing a path of least resistance for electric current. This dryer is equipped with a cord having an equipment-grounding conductor and a grounding plug. The plug must be plugged into an appropriate outlet that is properly installed and grounded in accordance with all local codes and ordinances.

WARNING: Improper connection of the equipment-grounding conductor can result in a risk of electric shock. Check with a qualified electrician or service representative or personnel if you are in doubt as to whether the dryer is properly grounded. Do not modify the plug provided with the dryer: if it will not fit the outlet, have a proper outlet installed by a qualified electrician.

SAVE THESE INSTRUCTIONS

Electrical Connection - U.S.A. Only

Power Supply Cord

⚠ WARNING



Fire Hazard

- Use a new UL listed 30 amp power supply cord.
- Use a UL listed strain relief.
- Disconnect power before making electrical connections.
- Connect neutral wire (white or center wire) to center terminal (silver).
- Ground wire (green or bare wire) must be connected to green ground connector.
- Connect remaining 2 supply wires to remaining 2 terminals (gold).
- Securely tighten all electrical connections.
- Failure to do so can result in death, fire, or electrical shock.

Direct Wire

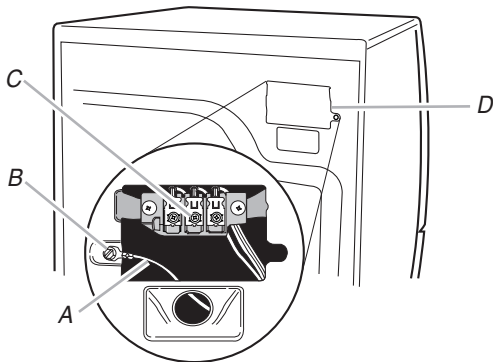
⚠ WARNING



Fire Hazard

- Use 10 gauge solid copper wire.
- Use a UL listed strain relief.
- Disconnect power before making electrical connections.
- Connect neutral wire (white or center wire) to center terminal (silver).
- Ground wire (green or bare wire) must be connected to green ground connector.
- Connect remaining 2 supply wires to remaining 2 terminals (gold).
- Securely tighten all electrical connections.
- Failure to do so can result in death, fire, or electrical shock.

1. Disconnect power.
2. Remove the hold-down screw and terminal block cover.




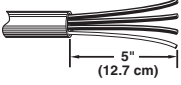

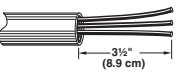
- A. Neutral grounding wire (green with yellow stripes)
- B. External ground conductor screw
- C. Center, silver-colored terminal block screw
- D. Terminal block cover and hold-down screw

3. Assemble a $\frac{3}{4}$ " (1.9 cm) UL listed strain relief (UL marking on strain relief) into the hole below the terminal block opening. Tighten strain relief screws just enough to hold the two clamp sections together. Put power supply cord through the strain relief. The strain relief should have a tight fit with the dryer cabinet and be in a horizontal position.



4. Now complete installation following instructions for your type of electrical connection:
 - 4-wire (recommended)
 - 3-wire (if 4-wire is not available)

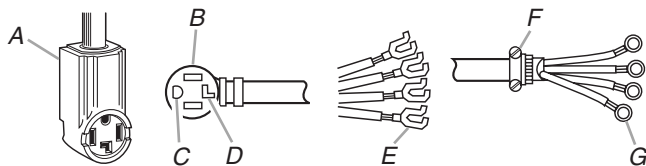
Electrical Connection Options

| If your home has: | And you will be connecting to: | Go to Section |
|---|---|--------------------------------------|
| 4-wire receptacle (NEMA Type 14-30R)  | A UL listed, 120/240 volt minimum, 30 amp, dryer power supply cord* | 4-wire connection: Power supply cord |
| 4-wire direct  | A fused disconnect or circuit breaker box* | 4-wire connection: Direct Wire |
| 3-wire receptacle (NEMA type 10-30R)  | A UL listed, 120/240 volt minimum, 30 amp, dryer power supply cord* | 3-wire connection: Power supply cord |
| 3-wire direct  | A fused disconnect or circuit breaker box* | 3-wire connection: Direct Wire |

*If local codes do not permit the connection of a frame-grounding conductor to the neutral wire, go to "Optional 3-wire Connection" section.

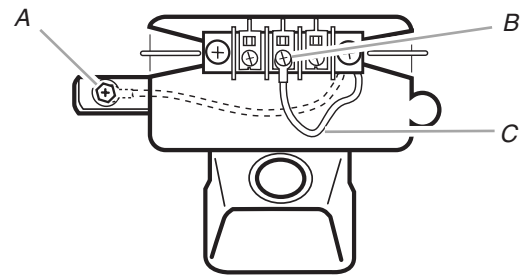
4-wire connection: Power supply cord

IMPORTANT: A 4-wire connection is required for mobile homes and where local codes do not permit the use of 3-wire connections.



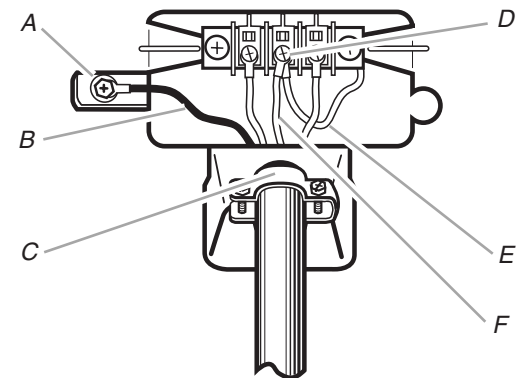
- A. 4-wire receptacle (NEMA type 14-30R)
- B. 4-prong plug
- C. Ground prong
- D. Neutral prong
- E. Spade terminals with upturned ends
- F. $\frac{3}{4}$ " (1.9 cm) UL listed strain relief
- G. Ring terminals

1. Remove center terminal block screw.
2. Remove neutral grounding wire (green with yellow stripes) from external ground conductor screw. Fasten it under center, silver-colored terminal block screw.



- A. External ground conductor screw - Dotted line shows position of NEUTRAL grounding wire before being moved to center terminal block screw
- B. Center silver-colored terminal block screw
- C. Green/yellow wire of harness

3. Connect ground wire (green or bare) of power supply cord to external ground conductor screw. Tighten screw.
4. Connect neutral wire (white or center wire) of power supply cord under center screw of the terminal block.



- A. External ground conductor screw
- B. Ground wire (green or bare) wire of power supply cord
- C. $\frac{3}{4}$ " (1.9 cm) UL listed strain relief
- D. Center silver-colored terminal block screw
- E. Neutral grounding wire (green with yellow stripes)
- F. Neutral wire (white or center wire)

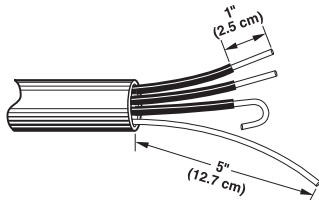
5. Connect the other wires to outer terminal block screws. Tighten screws.
6. Tighten strain relief screws.
7. Insert tab of terminal block cover into slot of dryer rear panel. Secure cover with hold-down screw.

4-wire connection: Direct wire

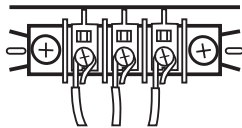
IMPORTANT: A 4-wire connection is required for mobile homes and where local codes do not permit the use of 3-wire connections.

Direct wire cable must have 5 ft (1.52 m) of extra length so dryer can be moved if needed.

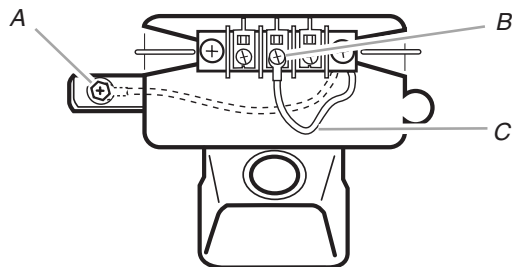
Strip 5" (12.7 cm) of outer covering from end of cable, leaving bare ground wire at 5" (12.7 cm). Cut 1½" (3.8 cm) from 3 remaining wires. Strip insulation back 1" (2.5 cm). Shape ends of wires into a hook shape.



When connecting to the terminal block, place the hooked end of the wire under the screw of the terminal block (hook facing right), squeeze hooked end together and tighten screw. See example below.

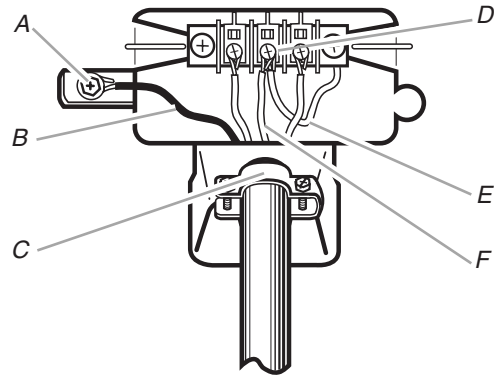


1. Remove center terminal block screw.
2. Remove neutral grounding wire (green with yellow stripes) from external ground conductor screw. Fasten it under center, silver-colored terminal block screw.



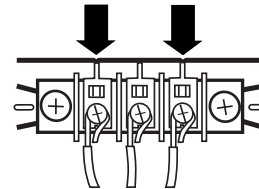
- A. External ground conductor screw - Dotted line shows position of NEUTRAL grounding wire before being moved to center terminal block screw
B. Center silver-colored terminal block screw
C. Green/yellow wire of harness

3. Connect ground wire (green or bare) of power supply cable to external ground conductor screw. Tighten screw.



- A. External ground conductor screw
B. Green or bare copper wire of power supply cable
C. ¾" (1.9 cm) UL listed strain relief
D. Center silver-colored terminal block screw
E. Neutral grounding wire (green with yellow stripes)
F. Neutral wire (white or center wire)

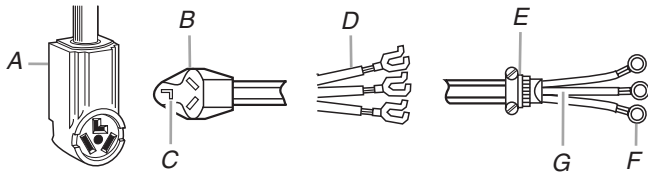
4. Place the hooked end of the neutral wire (white wire) of power supply cable under the center screw of terminal block (hook facing right). Squeeze hooked end together. Tighten screw.
5. Place the hooked ends of the other power supply cable wires under the outer terminal block screws (hooks facing right). Squeeze hooked ends together. Tighten screws.



6. Tighten strain relief screws.
7. Insert tab of terminal block cover into slot of dryer rear panel. Secure cover with hold-down screw.

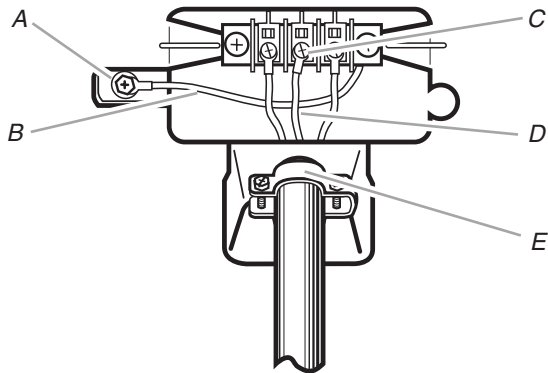
3-wire connection: Power supply cord

Use where local codes permit connecting cabinet-ground conductor to neutral wire.



- A. 3-wire receptacle (NEMA type 10-30R)
- B. 3-wire plug
- C. Neutral prong
- D. Spade terminals with up turned ends
- E. $\frac{3}{4}$ " (1.9 cm) UL listed strain relief
- F. Ring terminals
- G. Neutral (white or center wire)

1. Loosen or remove center terminal block screw.
2. Connect neutral wire (white or center wire) of power supply cord to the center, silver-colored terminal screw of the terminal block. Tighten screw.



- A. External ground conductor screw
- B. Neutral grounding wire (green with yellow stripes)
- C. Center silver-colored terminal block screw
- D. Neutral wire (white or center wire)
- E. $\frac{3}{4}$ " (1.9 cm) UL listed strain relief

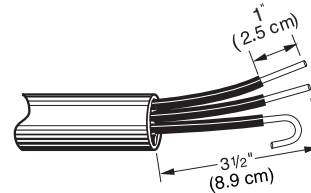
3. Connect the other wires to outer terminal block screws. Tighten screws.
4. Tighten strain relief screws.
5. Insert tab of terminal block cover into slot of dryer rear panel. Secure cover with hold-down screw.

3-wire connection: Direct wire

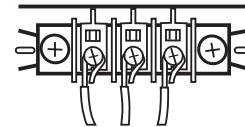
Use where local codes permit connecting cabinet-ground conductor to neutral wire.

Direct wire cable must have 5 ft (1.52 m) of extra length so dryer can be moved if needed.

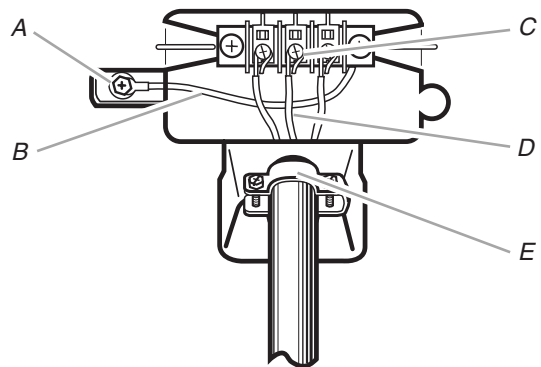
Strip $\frac{3}{16}$ " (8.9 cm) of outer covering from end of cable. Strip insulation back 1" (2.5 cm). If using 3-wire cable with ground wire, cut bare wire even with outer covering. Shape ends of wires into a hook shape.



When connecting to the terminal block, place the hooked end of the wire under the screw of the terminal block (hook facing right), squeeze hooked end together and tighten screw. See example below.

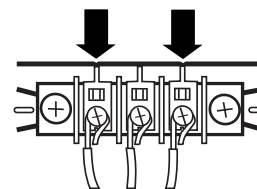


1. Loosen or remove center terminal block screw.
2. Place the hooked end of the neutral wire (white or center wire) of power supply cable under the center screw of terminal block (hook facing right). Squeeze hooked end together. Tighten screw.



- A. External ground conductor screw
- B. Neutral grounding wire (green with yellow stripes)
- C. Center silver-colored terminal block screw
- D. Neutral wire (white or center wire)
- E. $\frac{3}{4}$ " (1.9 cm) UL listed strain relief

3. Place the hooked ends of the other power supply cable wires under the outer terminal block screws (hooks facing right). Squeeze hooked ends together. Tighten screws.

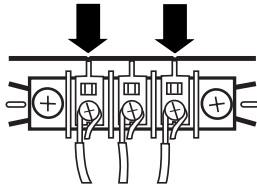


4. Tighten strain relief screws.
5. Insert tab of terminal block cover into slot of dryer rear panel. Secure cover with hold-down screw.

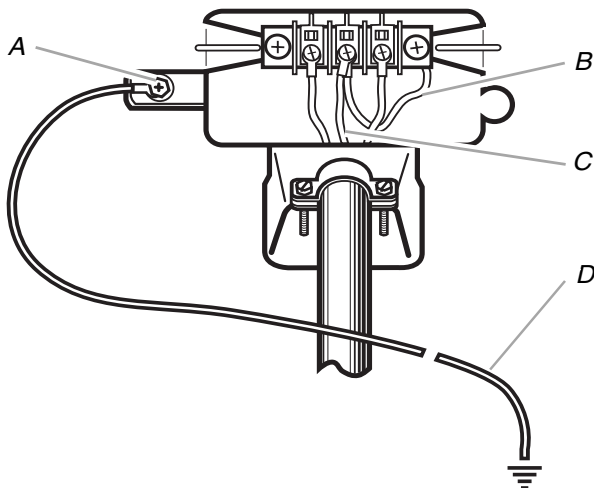
Optional 3-wire connection

Use for direct wire or power supply cord where local codes do not permit connecting cabinet-ground conductor to neutral wire.

1. Remove center terminal block screw.
2. Remove neutral grounding wire (green with yellow stripes) from external ground conductor screw. Connect appliance ground wire and the neutral wire (white or center wire) of power supply cord/cable under center, silver-colored terminal block screw. Tighten screw.
3. Connect the other wires to outer terminal block screws. Tighten screws.



4. Tighten strain relief screws.
5. Insert tab of terminal block cover into slot of dryer rear panel. Secure cover with hold-down screw.
6. Connect a separate copper ground wire from the external ground conductor screw to an adequate ground.



- A. External ground conductor screw
B. Neutral grounding wire (green with yellow stripes)
C. Neutral wire (white or center wire)
D. Grounding path determined by a qualified electrician

Venting Requirements

⚠ WARNING



Fire Hazard

Use a heavy metal vent.

Do not use a plastic vent.

Do not use a metal foil vent.

Failure to follow these instructions can result in death or fire.

WARNING: To reduce the risk of fire, this dryer **MUST BE EXHAUSTED OUTDOORS.**

4" (10.2 cm) heavy metal exhaust vent and clamps must be used. DURASAFE™ vent products are recommended.

DURASAFE™ vent products can be purchased from your dealer or by calling Whirlpool Parts and Accessories. For more information, see the "Assistance or Service" section of this manual.

- The dryer exhaust must not be connected into any gas vent, chimney, wall, ceiling, or a concealed space of a building.
- Do not use an exhaust hood with a magnetic latch.
- Do not install flexible metal vent in enclosed walls, ceilings or floors.
- Use clamps to seal all joints. Exhaust vent must not be connected or secured with screws or other fastening devices which extend into the interior of the duct. Do not use duct tape.

IMPORTANT: Observe all governing codes and ordinances.

Improper venting can cause moisture and lint to collect indoors, which may result in:

- Moisture damage to woodwork, furniture, paint, wallpaper, carpets, etc.
- Housecleaning problems and health problems.

Use a heavy metal vent. Do not use plastic or metal foil vent.

Rigid metal vent is recommended to prevent crushing and kinking.

Flexible metal vent must be fully extended and supported when the dryer is in its final position. Remove excess flexible metal vent to avoid sagging and kinking that can result in reduced airflow and poor performance.

An exhaust hood should cap the vent to prevent rodents and insects from entering the home.

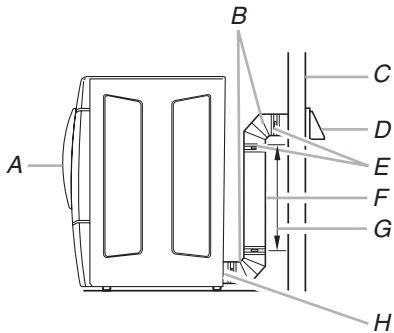
Exhaust hood must be at least 12" (30.5 cm) from the ground or any object that is in the path of the exhaust (such as flowers, rocks or bushes, etc.).

If using an existing vent system, clean lint from the entire length of the system and make sure exhaust hood is not plugged with lint. Replace any plastic or metal foil vent with rigid metal or flexible metal vent.

Plan Vent System

Typical exhaust installations

Typical installations vent the dryer from the rear of the dryer. Other installations are possible.



- A. Dryer
- B. Elbow
- C. Wall
- D. Exhaust hood
- E. Clamps
- F. Rigid metal or flexible metal vent
- G. Vent length necessary to connect elbows
- H. Exhaust outlet

Optional exhaust installations

This dryer can be converted to exhaust out the right side, left side, or through the bottom. Contact your local dealer to have the dryer converted.

! WARNING



Fire Hazard

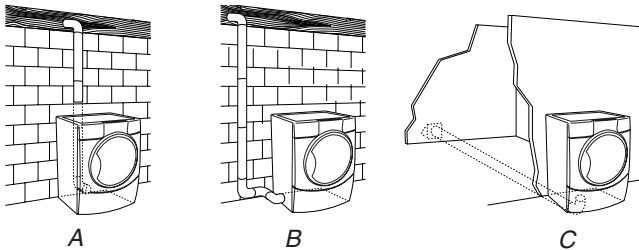
Cover unused exhaust holes with one of the following kits:

279818 (white)

280028 (meteorite)

Contact your local dealer.

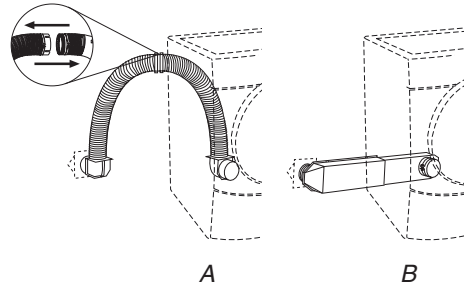
Failure to follow these instructions can result in death, fire, electrical shock, or serious injury.



- A. Standard rear offset exhaust installation
- B. Left or right side exhaust installation
- C. Bottom exhaust installation (Not an option with pedestal installations.)

Alternate installations for close clearances

Venting systems come in many varieties. Select the type best for your installation. Two close-clearance installations are shown. Refer to the manufacturer's instructions.



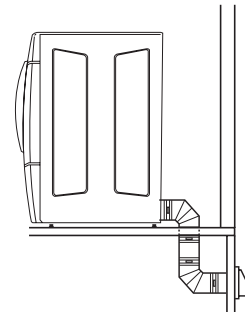
- A. Over the top installation (also available with one offset elbow)
- B. Periscope installation

NOTE: The following kits for close clearance alternate installations are available for purchase. Please see the "Assistance or Service" section of this manual to order.

- Over the top Installation:
 - Part Number 4396028
- Periscope Installation (For use with dryer vent to wall vent mismatch):
 - Part Number 4396037 - 0" (0 cm) to 18" (45.72 cm) mismatch
 - Part Number 4396011 - 18" (45.72 cm) to 29" (73.66 cm) mismatch
 - Part Number 4396014 - 29" (73.66 cm) to 50" (127 cm) mismatch

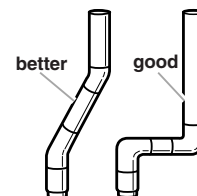
Special provisions for mobile home installations

The exhaust vent must be securely fastened to a noncombustible portion of the mobile home structure and must not terminate beneath the mobile home. Terminate the exhaust vent outside.



Determine vent length

1. Select the route that will provide the straightest and most direct path outdoors. Plan the installation to use the fewest number of elbows and turns. When using elbows or making turns, allow as much room as possible. Bend vent gradually to avoid kinking. Avoid 90° turns when possible.

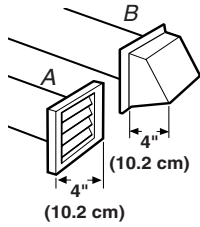


2. Determine vent length.

The maximum length of the exhaust system depends upon:

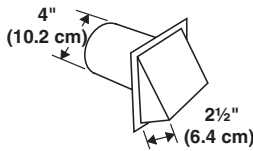
- The type of vent (rigid metal or flexible metal).
- The number of elbows used.
- Type of hood.

Recommended hood styles are shown here.



A. Louvered hood style
B. Box hood style

The angled hood style (shown following) is acceptable.



See the exhaust vent length chart that matches your hood type for the maximum vent lengths you can use.

Exhaust systems longer than specified will:

- Shorten the life of the dryer.
- Reduce performance, resulting in longer drying times and increased energy usage.

3. Determine the number of elbows you will need.

IMPORTANT: Do not use vent runs longer than those specified in the Vent Length Chart.

The following chart helps you determine your maximum vent length based on the number of 90° turns or elbows you will need and the type of vent (rigid or flexible metal) and hood that you will use.

Vent Length Chart

| Number of 90° turns or elbows | Type of vent | Box or Louvered hoods | Angled hoods |
|-------------------------------|----------------|-----------------------|----------------|
| 0 | Rigid metal | 64 ft (20 m) | 58 ft (17.7 m) |
| | Flexible metal | 36 ft (11 m) | 28 ft (8.5 m) |
| 1 | Rigid metal | 54 ft (16.5 m) | 48 ft (14.6 m) |
| | Flexible metal | 31 ft (9.4 m) | 23 ft (7 m) |
| 2 | Rigid metal | 44 ft (13.4 m) | 38 ft (11.6 m) |
| | Flexible metal | 27 ft (8.2 m) | 19 ft (5.8 m) |
| 3 | Rigid metal | 35 ft (10.7 m) | 29 ft (8.8 m) |
| | Flexible metal | 25 ft (7.6 m) | 17 ft (5.2 m) |
| 4 | Rigid metal | 27 ft (8.2 m) | 21 ft (6.4 m) |
| | Flexible metal | 23 ft (7 m) | 15 ft (4.6 m) |

NOTE: Side and bottom exhaust installations have a 90° turn inside the dryer. To determine maximum exhaust length, add one 90° turn to the chart.

Install Vent System

1. Install exhaust hood. Use caulking compound to seal exterior wall opening around exhaust hood.
2. Connect vent to exhaust hood. Vent must fit inside exhaust hood. Secure vent to exhaust hood with 4" (10.2 cm) clamp.
3. Run vent to dryer location. Use the straightest path possible. See "Determine vent length." Avoid 90° turns. Use clamps to seal all joints. Do not use duct tape, screws or other fastening devices that extend into the interior of the vent to secure vent.

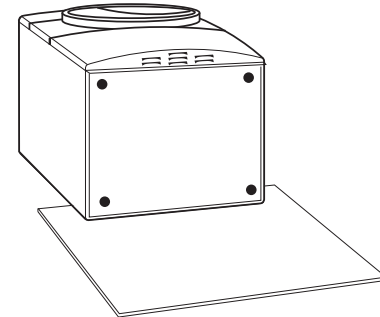
Install Leveling Legs

WARNING

Excessive Weight Hazard

Use two or more people to move and install dryer. Failure to do so can result in back or other injury.

1. To protect the floor, use a large flat piece of cardboard from the dryer carton. Place cardboard under the entire back edge of the dryer. See illustration.
2. Firmly grasp the body of the dryer (not the console panel). Gently lay the dryer on the cardboard.



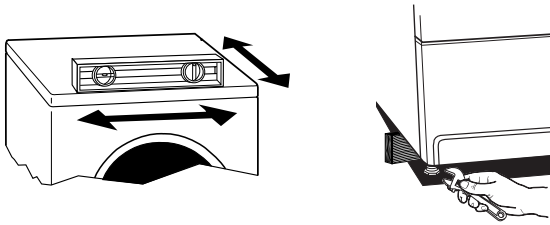
3. Examine the leveling legs. Find the diamond marking.



4. Screw the legs into the leg holes by hand. Use a wrench to finish turning the legs until the diamond marking is no longer visible.
5. Place a carton corner post under each of the 2 dryer back corners. Stand the dryer up. Slide the dryer on the corner posts until it is close to its final location. Leave enough room to connect the exhaust vent.
6. Once connection is made and dryer is in final location, remove corner posts and cardboard.

Level Dryer

Check the levelness of the dryer. Check levelness first side to side, then front to back.



If the dryer is not level, prop up the dryer using a wood block. Use a wrench to adjust the legs up or down and check again for levelness.

NOTE: It might be necessary to level the dryer again after it has been moved into its final position.

Connect Vent

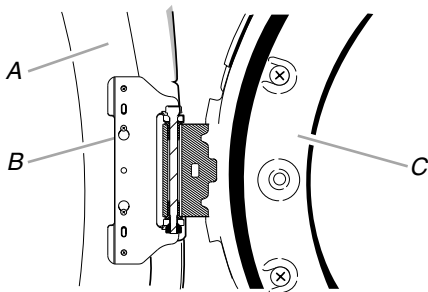
- Using a 4" (10.2 cm) clamp, connect vent to exhaust outlet in dryer. If connecting to existing vent, make sure the vent is clean. The dryer vent must fit over the dryer exhaust outlet and inside the exhaust hood. Make sure the vent is secured to exhaust hood with a 4" (10.2 cm) clamp.
- Move dryer into final position. Do not crush or kink vent. Make sure dryer is level.
- (On gas models) Check to be sure there are no kinks in the flexible gas line.

Reverse Door Swing

You can change your door swing from a right-side opening to a left-side opening, if desired.

Remove the door

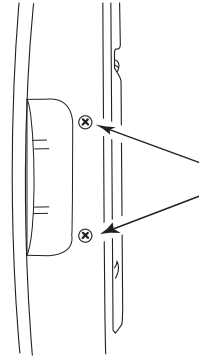
- Open the dryer door. Remove the 4 screws that hold the door hinge on the front panel of the dryer. Loosen, but do not remove, the screw with the top keyhole opening last (second from the top).



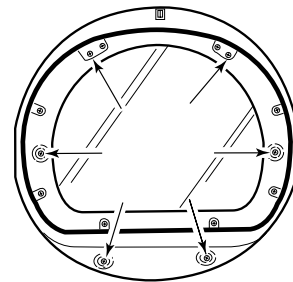
A. Dryer
B. Do not remove
C. Dryer door

- Lift and pull forward on the door so that the keyhole clears the screw head. Remove the door.

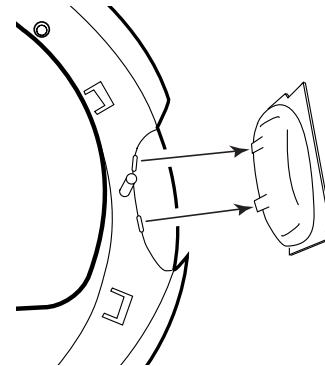
- Lay the dryer door on a flat, protected surface with the inside door assembly facing up. Remove the last screw from Step 1. Remove the 2 screws holding the handle to the door.



- Remove the 6 screws to release the outer door assembly from the inner door assembly (see illustration). It is important that you remove only the 6 indicated screws.

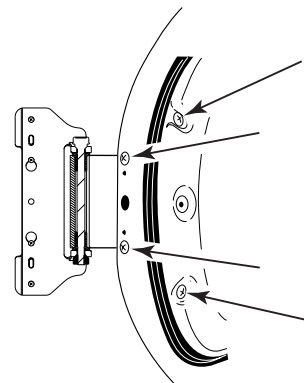


- Lift the inner door assembly off of the outer door assembly. Unsnap the handle from the outer door assembly, move it to the other side, and snap in. Set the outer door assembly aside.

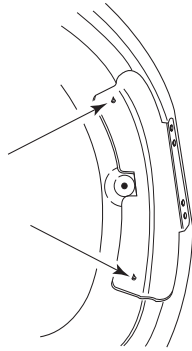


Reverse the hinge and hinge bracket

- Place the inner door, screw head side up, on the work surface.
- Remove the 4 screws that hold the hinge to the door.



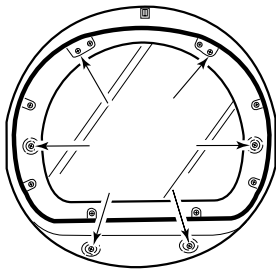
- Remove the 2 screws that hold the handle bracket to the door.



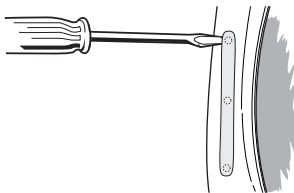
- Move hinge to the other side and reattach with the 4 screws removed in Step 2.
- Move handle bracket to the other side and reattach with the 2 screws removed in Step 3.
- Set the inner door assembly aside.

Reinstalling the door

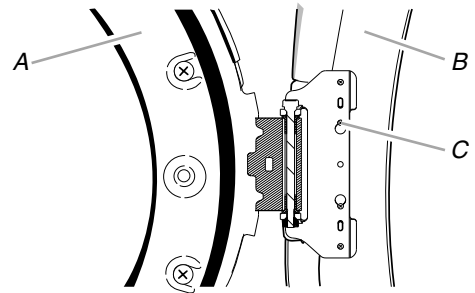
- Check for fingerprints on the glass. Clean if necessary.
- Place the inner door assembly into the outer door assembly. Align the hinge in the opening on the side. To fit correctly, the inside door assembly edge is completely inside the outside door assembly edge.
- Reassemble the inner and outer door assemblies with the 6 screws.



- Replace the 2 handle screws for the door handle of the door assembly.
- Use a small flat-blade screwdriver to remove hole plugs in the door opening. Slide the head of the screwdriver under the cap of each hole plug, being careful not to scratch the dryer surface. Lift up. Remove the hole plugs in the door opening and insert in the opposite side.



- Insert a screw in the second opening from the top of the hinge opening and partially tighten. Hang the door by placing the top hinge keyhole over the second screw head and tighten the screw. By putting this screw in first, the door will hang in place while you insert and tighten the remaining 4 screws.



A. Dryer door
B. Dryer
C. Insert this screw first

- Close the door and check that it latches securely.

Complete Installation

- Check to be sure all parts are now installed. If there is an extra part, go back through the steps to see which step was skipped.
- Check to be sure you have all of your tools.
- Dispose of/recycle all packaging materials.
- Check the dryer's final location. Be sure the vent is not crushed or kinked.
- Check to be sure the dryer is level. See "Level Dryer."
- Plug into a grounded outlet. Turn power on.
- Remove the blue protective film on the console and any tape remaining on the dryer.
- Read "Dryer Use."
- Wipe the dryer drum interior thoroughly with a damp cloth to remove any dust.
- Set the dryer on a full heat cycle (not an air cycle) for 20 minutes and start the dryer.

If the dryer will not start, check the following:

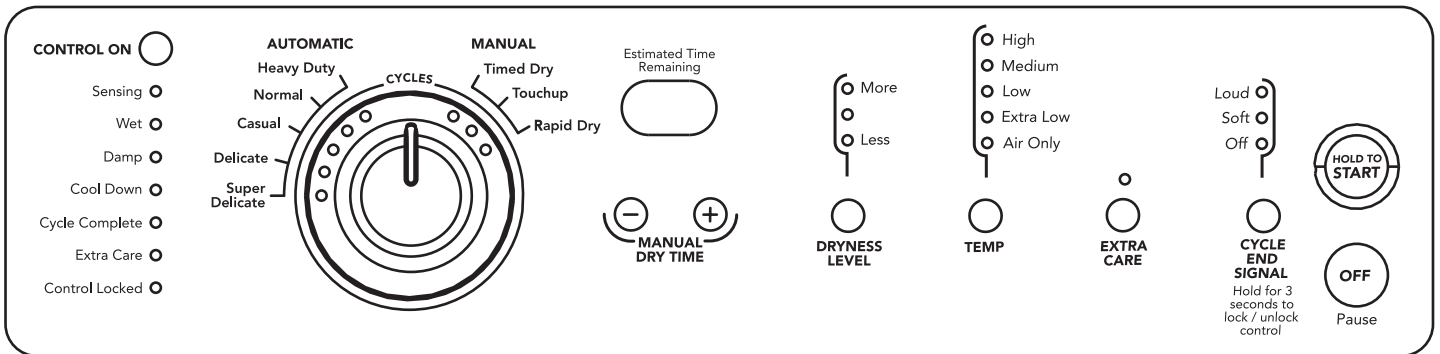
- Controls are set in a running or "On" position.
 - Start button has been pushed firmly.
 - Dryer is plugged into a grounded outlet.
 - Electrical supply is connected.
 - House fuse is intact and tight, or circuit breaker has not tripped.
 - Dryer door is closed.
- When the dryer has been running for 5 minutes, open the dryer door and feel for heat.

If you do not feel heat, turn the dryer off and check the following:

 - There may be 2 fuses or circuit breakers for the dryer. Check to make sure both fuses are intact and tight, or that both circuit breakers have not tripped. If there is still no heat, contact a qualified technician.

NOTE: You may notice a burning odor when the dryer is first heated. This odor is common when the heating element is first used. The odor will go away.

DRYER USE



Starting Your Dryer

⚠ WARNING



Explosion Hazard

Keep flammable materials and vapors, such as gasoline, away from dryer.

Do not dry anything that has ever had anything flammable on it (even after washing).

Failure to follow these instructions can result in death, explosion, or fire.

⚠ WARNING



Fire Hazard

No washer can completely remove oil.

Do not dry anything that has ever had any type of oil on it (including cooking oils).

Items containing foam, rubber, or plastic must be dried on a clothesline or by using an Air Cycle.

Failure to follow these instructions can result in death or fire.

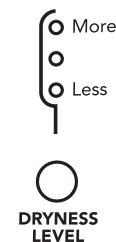
WARNING: To reduce the risk of fire, electric shock, or injury to persons, read the IMPORTANT SAFETY INSTRUCTIONS before operating this appliance.

The following is a guide to starting your dryer. Please refer to specific sections of this manual for more detailed information.

1. Clean lint screen before or after each cycle. See "Cleaning the Lint Screen."
2. Place laundry into dryer and shut door. See "Loading."
3. Rotate the dial to select either an Automatic or Manual Cycle then press the CONTROL ON button. The preset settings and drying time for the cycle chosen will be displayed.

To use an Automatic Cycle

- Point the dial to an Automatic Cycle.
- Select DRYNESS LEVEL to adjust how dry you want the load to be. The time displayed is an estimated length of the cycle based on the Dryness Level selected. As the cycle runs, the control senses the dryness of the load and adjusts the time automatically for the selected Dryness Level.



NOTE: Time is not adjustable for Automatic Cycles. Pressing the Manual Dry Time (- or +) buttons will cause a triple beep, indicating that the time cannot be changed.

- Press the EXTRA CARE feature button if this option is desired.
- Press the CYCLE END SIGNAL button to set signal volume to desired level.
- Press (and hold) HOLD TO START button until dryer starts (about 1 second).

Once an Automatic cycle has started, the Extra Care feature and the Cycle End Signal level can be adjusted. Press the OFF button twice to stop the dryer and clear the settings, allowing you to select another cycle and Dryness Level.

To use a Manual Cycle

- Rotate the dial to select a Manual Cycle.

Press MANUAL DRY TIME (- or +) buttons until the desired drying time is displayed. Tap - or + and the time will change by 1-minute intervals. Press and hold - or + and the time will change by 5-minute intervals. The initial time displayed is the actual drying time.



NOTE: The Manual Dry Time feature can be used only with Manual Cycles.

- Press TEMP until the desired temperature glows.

NOTE: Pressing the Dryness Level button will cause the triple beep indicating that this option is not selectable. Also, a Dryness Level is not indicated.

- Press the EXTRA CARE feature button if this option is desired.
- Press the CYCLE END SIGNAL button to set volume to desired level.
- Press (and hold) HOLD TO START button until dryer starts (about 1 second).

While a Manual Cycle is running, you can change the settings for Time, Temperature, the Extra Care feature, and the Cycle End Signal. Press the OFF button twice to stop the dryer and clear the settings, allowing you to select another cycle.

Stopping Your Dryer

To stop your dryer at any time

Press OFF twice or open the door.

Pausing or Restarting

To pause the dryer at any time

Open the door or press OFF once.

To restart the dryer

Close the door and press (and hold) HOLD TO START button until dryer starts.

NOTE: Drying will continue from where the cycle was interrupted if you close the door and press Start within 5 minutes. If the cycle is interrupted for more than 5 minutes, the dryer will shut off. Select new cycle settings before restarting the dryer.

Control Locked

This feature allows you to lock your settings to prevent unintended use of the dryer. You can also use the Control Locked feature to prevent unintended cycle or option changes during dryer operation.

To enable the Control Locked feature when dryer is running:

Press and hold the CYCLE END SIGNAL button for 3 seconds. The control is locked when a single beep is heard and the Control Locked status light is on.

- When the dryer is off, it is not necessary to press the Control On button before activating the Control Locked feature.

To unlock:

Press and hold the CYCLE END SIGNAL button for 3 seconds to turn this feature off.

NOTE: When the dryer is running and Control Locked is on, the dryer can be stopped by pressing the Off button, but can't be restarted until the control is unlocked.

Loading

Properly loading your dryer can lower your utility bill and prolong the life of your garments.

Loading suggestions

- Load the dryer by the amount of space items take up, not by their weight.
- Do not overload the dryer. This causes wrinkling and uneven drying.

Super Capacity Plus Dryers

Heavy Work Clothes

| | |
|--------------|---------------|
| 4 jeans | 2 sweatpants |
| 4 workpants | 2 sweatshirts |
| 4 workshirts | |

Towels

| | |
|----------------|---------------|
| 10 bath towels | 14 washcloths |
| 10 hand towels | |

Mixed Load

| | |
|---------------------------|------------------|
| 3 sheets (1 king, 2 twin) | 9 T-shirts |
| 4 pillowcases | 9 shorts |
| 3 shirts | 10 handkerchiefs |
| 3 blouses | |

Drying and Cycle Tips

Select the correct cycle and dryness level or temperature for your load. If an Automatic Cycle is running, the display shows the estimated cycle time when your dryer is automatically sensing the dryness level of your load. If a Manual Cycle is running, the display shows the exact number of minutes remaining in the cycle.

Cool Down tumbles the load without heat during the last few minutes of all cycles. Cool Down makes the loads easier to handle and reduces wrinkling. The length of the Cool Down depends on the load size and dryness level.

Drying tips

- Follow care label directions when they are available.
- If desired, add a fabric softener sheet. Follow package instructions.
- Remove the load from the dryer as soon as tumbling stops to reduce wrinkling. This is especially important for permanent press, knits, and synthetic fabrics.
- Avoid drying heavy work clothes with lighter fabrics. This could cause overdrying of lighter fabrics, leading to increased shrinkage or wrinkling.

Cycle tips

- Dry most loads using the preset cycle settings.
- Refer to the Automatic or Manual Preset Cycle Settings chart (in the "Cycles" section) for a guide to drying various loads.
 - Drying temperature and Dryness Level are preset when you choose an Automatic Cycle. You can choose a different dryness level, depending on your load by pressing the DRYNESS LEVEL button to select MORE or LESS.
 - If you wish to adjust the cycle length of a Manual Cycle, you must press the MANUAL DRY TIME (- or +) buttons. Adjust the temperature of a Manual Cycle by pressing TEMP until the desired temperature is selected.

NOTE: You cannot choose a Dryness Level with Manual Cycles.

Status Lights

You may follow the progress of your dryer with the drying status indicator lights.

- Sensing
- Wet
- Damp
- Cool Down
- Cycle Complete
- Extra Care
- Control Locked

Sensing

When a cycle is first turned on, the SENSING light glows until a wet item is detected.

- In an Automatic cycle, if a wet item has not been detected within 10 minutes, the Sensing light will turn off and the dryer will shut down.
- In a Manual cycle, if a wet item is not detected after 10 minutes the Wet light turns on and the selected cycle continues.

Wet

The WET light will turn on when a wet item has been detected in the dryer. The Wet light will remain on until:

- The damp dry point is reached in an Automatic cycle.
- The dryer enters the cool down period in a Manual cycle.

Damp

The DAMP light indicates that the load has reached the damp dry level.

NOTE: The Damp light is not used with manual cycles.

Cool Down

The COOL DOWN light glows during the cool down part of the cycle. Laundry is cooling down for ease in handling.

Cycle Complete

The CYCLE COMPLETE light glows when a drying cycle is finished. If the Extra Care feature has been selected, the Extra Care feature indicator light will also be on.

The Cycle Complete light turns off one hour after the end of a drying cycle (including the Extra Care cycle of 2 hours), when Off is pressed, or when the door is opened.

Extra Care Feature

The EXTRA CARE feature light glows when this option is selected. This indicator stays on with the Cycle Complete light.

Control Locked

The CONTROL LOCKED light glows when this option is enabled.

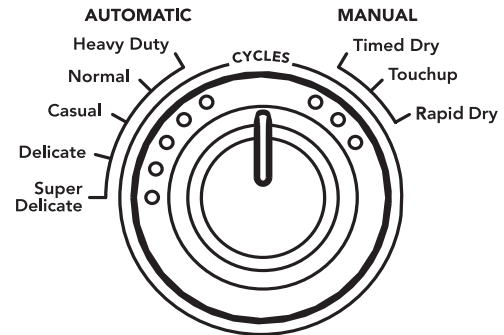
Indicator lights

Other indicator lights on the control panel show Cycle, Temperature, and Cycle End Signal settings selected.

The time display will indicate the estimated or actual time remaining in a cycle.

Cycles

Select the drying cycle that matches the type of load you are drying (see Automatic Preset or Manual Preset Cycle Settings charts).



Cycle control knob

Automatic Cycles

Automatic Cycles allow you to match the cycle to the load you are drying. See the following Automatic Preset Cycle Settings chart. Each cycle dries certain fabrics at the recommended temperature. A sensor detects the moisture in the load and automatically adjusts the drying time for optimal drying.

Heavy Duty

Use this cycle to get High heat for heavy fabrics such as cotton towels or bedspreads.

Normal

Use this cycle to get Medium heat for drying sturdy fabrics such as work clothes.

Casual

Use this cycle to get Medium heat for drying no-iron fabrics, such as sport shirts, casual business clothes and permanent press blends.

Delicate

Use this cycle to get Low heat for drying synthetic fabrics, washable knit fabrics and no-iron finishes.

Super Delicate

Use this cycle to get Extra Low heat to gently dry items such as lingerie, exercise wear, or sheer curtains.

Automatic Preset Cycle Settings

| Automatic Cycles Load Type | Temp. | Time* (Minutes) |
|--|-----------|--------------------|
| HEAVY DUTY Heavyweight, towels | High | 40 |
| NORMAL Corduroys, work clothes | Medium | 34 |
| CASUAL Permanent press, synthetics | Medium | 36 |
| DELICATE Lingerie, blouses, washable woolens | Low | 28 |
| SUPER DELICATE Exercise wear, sheer curtains, lace | Extra Low | 22 |

*Estimated Time with Dryness Level (medium) setting.

Manual Cycles

Use Manual Cycles to select a specific amount of drying time and a drying temperature. When a Manual Cycle is selected, the ESTIMATED TIME REMAINING display shows the actual time remaining in your cycle. You can change the actual time in the cycle by pressing the Manual Dry Time (- or +) buttons.

Timed Dry

Use this cycle to complete drying if items are still damp after an Automatic Cycle. Timed Dry is also useful for drying heavyweight and bulky items, such as bedspreads and work clothes.

Touchup

Use this setting to remove wrinkles from items, such as clothes packed in a suitcase or items wrinkled from being left in the dryer too long.

Rapid Dry

Use this cycle for drying small loads or loads that need a short drying time.

Manual Preset Cycle Settings

| Manual Cycles Load Type | Temp. | Default Time (Minutes) |
|--|--------|---------------------------|
| TIMED DRY Heavyweight, bulk, bedspreads, work clothes | High | 40 |
| TOUCHUP Remove wrinkles | Medium | 20 |
| RAPID DRY Small loads | High | 27 |

Additional Features

Extra Care Feature

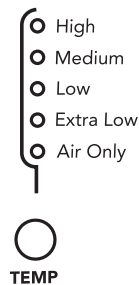
When you are unable to remove a load of clothes from the dryer as soon as it stops, wrinkles can form. The Extra Care feature periodically tumbles, rearranges and fluffs the load to help reduce wrinkles.

- Press the Extra Care feature to get up to 120 minutes of heat-free, periodic tumbling at the end of a cycle.
- Stop at any time by pressing the Extra Care feature or opening the dryer door.
- For the Casual Cycle, the Extra Care feature is preset to "On." The other Automatic Cycles will retain the Extra Care feature setting. (For example, if you select the Extra Care feature in the Normal cycle, the Extra Care feature will be on the next time you select the Normal cycle.)

NOTE: If you do not select the Extra Care feature, the dryer stops after the cool down period.

Temperature

Temperature settings are used with the Manual Cycles. Press TEMP until the desired temperature setting glows. Temperature settings cannot be used with the Automatic Cycles.



Air Only

Use the Air Only setting for items that require drying without heat such as rubber, plastic and heat-sensitive fabrics. This chart shows examples of items that can be dried using Air Only.

| Type of Load | Time* (Minutes) |
|---|--------------------|
| Foam rubber - pillows, padded bras, stuffed toys | 20 - 30 |
| Plastic - Shower curtains, tablecloths | 20 - 30 |
| Rubber-backed rugs | 40 - 50 |
| Olefin, polypropylene, sheer nylon | 10 - 20 |

*Reset time to complete drying, if needed.

When using Air Only

- Check to see that coverings are securely stitched.
- Shake and fluff pillows by hand periodically during the cycle.
- Dry item completely. Foam rubber pillows are slow to dry.

NOTE: Automatic Cycles are not available when using the Air Only setting.

Cycle End Signal

The Cycle End Signal produces an audible sound when the drying cycle is finished. Promptly removing clothes at the end of the cycle reduces wrinkling.



Press and release the CYCLE END SIGNAL to adjust the sound level or turn off the signal.

NOTE: When the Extra Care feature is selected and the Cycle End Signal is on, an audible sound will emit every 5 minutes until the clothes are removed, or the Extra Care feature is finished.

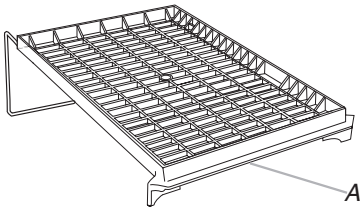
Drying Rack

The drying rack is useful for drying items you would not necessarily want to tumble dry or that you would normally line dry (for example, sweaters).

To use the drying rack

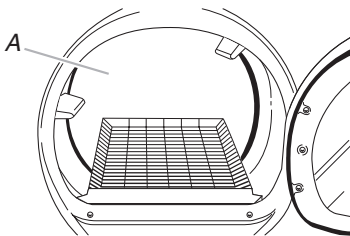
Do not remove the lint screen.

1. Open dryer door.



A. Front edge

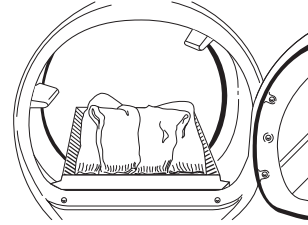
2. Place drying rack inside dryer drum, positioning the back wire on the ledge of the inner dryer back panel. Push down on front edge of drying rack to secure over the lint screen.



A. Dryer back panel

3. Put the wet items on top of the rack. Leave space between the items so air can reach all the surfaces.

NOTE: Do not allow items to hang over the edge of the rack.



4. Close the door.
5. Select a timed drying cycle and temperature, or an air cycle (see following chart). Items containing foam, rubber, or plastic must be dried on a clothesline or by using the Air Only temperature setting.
6. You must select a time by pressing the MANUAL DRY TIME (- or +) buttons. Reset time as needed to complete drying. Refer to the following table.
7. Press (and hold) HOLD TO START button (about 1 second).

NOTE: You must remove rack for normal tumbling. Do not use automatic cycles with the drying rack.

This chart shows examples of items that can be rack dried and the suggested cycle, temperature setting and drying time. Actual drying time will depend on the amount of moisture items hold.

| Rack Dry | Setting | Temp. | Time* |
|--|-----------|--------------------|-------|
| Wool Sweaters Block to shape and lay flat on the rack | Timed Dry | Low | 60 |
| Stuffed toys or pillows Cotton or polyester fiber filled | Timed Dry | Low | 60 |
| Stuffed toys or pillows Foam rubber filled | Timed Dry | Air Only (no heat) | 90 |
| Sneakers or canvas shoes | Timed Dry | Air Only (no heat) | 90 |

*(Minutes) Reset time to complete drying, if needed.

DRYER CARE

Cleaning the Dryer Location

Keep dryer area clear and free from items that would obstruct the flow of combustion and ventilation air.

! WARNING



Explosion Hazard

Keep flammable materials and vapors, such as gasoline, away from dryer.

Place dryer at least 18 inches (46 cm) above the floor for a garage installation.

Failure to do so can result in death, explosion, or fire.

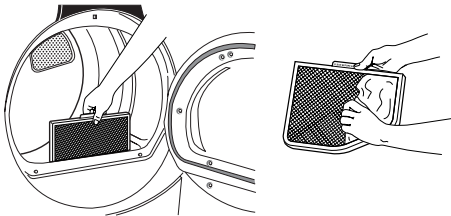
Cleaning the Lint Screen

Every load cleaning

The lint screen is located in the door opening of the dryer. Clean it before or after each load. A screen blocked by lint can increase drying time.

To clean

1. Pull the lint screen straight up. Roll lint off the screen with your fingers. Do not rinse or wash screen to remove lint. Wet lint is hard to remove.



2. Push the lint screen firmly back into place.

IMPORTANT:

- Do not run the dryer with the lint screen loose, damaged, blocked, or missing. Doing so can cause overheating and damage to both the dryer and fabrics.
- Some towels made of synthetic fibers and natural fibers (polyester and cotton blends) may shed more lint than other towels, causing your dryer's lint screen to fill up faster. Be sure to remove lint from the lint screen before and after drying new towels.
- If lint falls off the screen into the dryer during removal, check the exhaust hood and remove the lint. See "Venting Requirements."

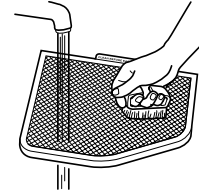
As needed cleaning

Laundry detergent and fabric softener residue can build up on the lint screen. This buildup can cause longer drying times for your clothes, or cause the dryer to stop before your load is completely dry. The screen is probably clogged if lint falls off while the screen is in the dryer.

Clean the lint screen with a nylon brush every 6 months, or more frequently, if it becomes clogged due to a residue buildup.

To wash

1. Roll lint off the screen with your fingers.
2. Wet both sides of lint screen with hot water.
3. Wet a nylon brush with hot water and liquid detergent. Scrub lint screen with the brush to remove residue buildup.



4. Rinse screen with hot water.
5. Thoroughly dry lint screen with a clean towel. Replace screen in dryer.

Cleaning the Dryer Interior

To clean dryer drum

1. Make a paste with powdered laundry detergent and very warm water.
2. Apply paste to a soft cloth.

OR

Apply a liquid, nonflammable household cleaner to the stained area and rub with a soft cloth until all excess dye and stains are removed.

3. Wipe drum thoroughly with a damp cloth.
4. Tumble a load of clean cloths or towels to dry drum.

NOTE: Garments which contain unstable dyes, such as denim blue jeans or brightly colored cotton items, may discolor the dryer interior. These stains are not harmful to your dryer and will not stain future loads of clothes. Dry unstable dye items inside out to prevent dye transfer.

Removing Accumulated Lint

From Inside the Dryer Cabinet

Lint should be removed every 2 years or more often, depending on dryer usage. Cleaning should be done by a qualified person.

From the Exhaust Vent

Lint should be removed every 2 years, or more often, depending on dryer usage.

Vacation and Moving Care

Vacation care

Operate your dryer only when you are at home. If you will be on vacation or not using your dryer for an extended period of time, you should:

1. Unplug dryer or disconnect power.
2. Clean lint screen. See "Cleaning the Lint Screen."

Moving care

⚠ WARNING



Electrical Shock Hazard

Disconnect power before servicing.

Replace all parts and panels before operating.

Failure to do so can result in death or electrical shock.

1. Unplug dryer or disconnect power. Disconnect wiring if dryer is direct wired.
2. Make sure leveling legs are secure in dryer base.
3. Use masking tape to secure dryer door.

Changing the Drum Light

The dryer light automatically turns on inside the dryer drum when you open the door.

To change the drum light

1. Unplug dryer or disconnect power.
2. Open the dryer door. Locate the light bulb cover on the back wall of the dryer. Remove the screw located in the lower right corner of the cover. Remove the cover.
3. Turn bulb counterclockwise. Replace the bulb with a 10-watt appliance bulb only. Replace the cover and secure with the screw.
4. Plug in dryer or reconnect power.

TROUBLESHOOTING

First try the solutions suggested here and possibly avoid the cost of a service call...

Dryer displaying code message

- **“PF” (power failure), check the following:**
Was the drying cycle interrupted by a power failure?
Press (and hold) HOLD TO START button to restart the dryer.
- **“E” Variable (E1, E2, E3) service codes:**
Call for service.

Clothes are not drying satisfactorily

- **Check the following:**
Is the lint screen clogged with lint?

Is the exhaust vent or outside exhaust hood clogged with lint, restricting air movement? Run the dryer for 5-10 minutes. Hold your hand under the outside exhaust hood to check air movement. If you do not feel air movement, clean exhaust system of lint or replace exhaust vent with heavy metal or flexible metal vent. See “Installation Instructions.”

Is the exhaust vent crushed or kinked? Replace with a heavy metal or flexible metal vent. See “Installation Instructions.”

Has a fuse blown, or has a circuit breaker tripped? Electric dryers use 2 household fuses or breakers. The drum may be turning, but you may not have heat.

Has an air cycle been selected? Select the right cycle for the types of garments being dried. See “Cycles.”

Is the automatic cycle ending early? The load may not be contacting the electronic sensor strips. Level the dryer.

Are fabric softener sheets blocking the grille? Use only one fabric softener sheet and only use it once.
- **Is the dryer located in a room with temperature below 45°F (7°C)?**
Proper operation of dryer cycles requires temperatures above 45°F (7°C).
- **Was a cold rinse water used? Was the load very wet?**
Expect longer drying times with items rinsed in cold water and with items that hold moisture (cottons).

- **Is the load too large and heavy to dry quickly?**
Separate the load to tumble freely.

Dryer will not run

- **Check the following:**
Is the power cord plugged in?

Has a fuse blown, or has a circuit breaker tripped?

Was a regular fuse used? Use a time-delay fuse.

Is the dryer door firmly closed? If not, the time display will blink.

Was HOLD TO START firmly pressed and held for at least 1 second?

Is a cycle selected?

Unusual sounds

- **Has the dryer had a period of non-use?**
If the dryer hasn't been used for a while, there may be a thumping sound during the first few minutes of operation.

Lint on load

- **Is the lint screen clogged?**
Clean lint screen. Check for air movement.
- **Is load properly sorted?**
Sort lint givers (towels, chenille) from lint takers (corduroy, synthetics). Also sort by color.
- **Is the load too big or too heavy?**
Dry smaller loads so lint can be carried to the lint screen.
- **Was the load overdried?**
Use correct dryer settings for load type. See “Cycles.”
Overdrying can cause lint-attracting static electricity.
- **Was paper or tissue left in pockets?**
- **Is pilling being mistaken for lint?**
Pilling (surface fuzz) is caused by normal wear and laundering.

Stains on load or color change

- **Was dryer fabric softener properly used?**
Add dryer fabric softener sheets at the beginning of the cycle when the load is cold. Do not add fabric softener sheets to a warm load.
- **Were items soiled when placed in the dryer?**
Items should be clean before being dried.
- **Were items properly sorted?**
Sort light colors from dark colors. Sort colorfast items from noncolorfast items.

Items shrinking

- **Was the dryer overloaded?**
Dry smaller loads that can tumble freely.
- **Did the load overdry?**
Check the manufacturer's care label. Match dryer setting to load type. See "Cycles."

Loads are wrinkled

- **Was load removed from dryer at the end of the cycle?**

- **Was dryer overloaded?**
Dry smaller loads that can tumble freely.
- **Did load overdry?**
Check the manufacturer's care label. Match dryer setting to load type. See "Cycles."

Odors

- **Have you recently been painting, staining or varnishing in the area where your dryer is located?**
If so, ventilate the area. When the odors or fumes are gone from the area, rewash and dry the clothing.
- **Is the dryer being used for the first time?**
The new electric heating element may have an odor. The odor will be gone after the first cycle.

Garment damage

- **Check the following:**
Were zippers, snaps, and hooks left open?
Were strings and sashes tied to prevent tangling?
Were care label instructions followed?
Were items damaged before drying?

ASSISTANCE OR SERVICE

Before calling for assistance or service, please check "Troubleshooting." It may save you the cost of a service call. If you still need help, follow the instructions below.

When calling, please know the purchase date and the complete model and serial number of your appliance. This information will help us to better respond to your request.

If you need replacement parts

If you need to order replacement parts, we recommend that you use only factory specified replacement parts. Factory specified parts will fit right and work right because they are made with the same precision used to build every new KITCHENAID® appliance.

To locate factory specified parts in your area, call our Customer Interaction Center telephone number or your nearest designated service center.

In the U.S.A.

Call the KitchenAid Customer Interaction Center toll free: **1-800-422-1230**.

Our consultants provide assistance with:

- Features and specifications on our full line of appliances.
- Installation information.
- Use and maintenance procedures.
- Accessory and repair parts sales.
- Specialized customer assistance (Spanish speaking, hearing impaired, limited vision, etc.).
- Referrals to local dealers, repair parts distributors, and service companies. KitchenAid designated service technicians are trained to fulfill the product warranty and provide after-warranty service, anywhere in the United States.

To locate the KitchenAid designated service company in your area, you can also look in your telephone directory Yellow Pages.

For further assistance

If you need further assistance, you can write to KitchenAid with any questions or concerns at:

KitchenAid Brand Home Appliances
Customer Interaction Center
553 Benson Road
Benton Harbor, MI 49022-2692

Please include a daytime phone number in your correspondence.

In Canada

For product related questions, please call the KitchenAid Canada Customer Interaction Center toll free: **1-800-461-5681**
Monday to Friday 8:00 a.m. - 6:00 p.m. (EST).
Saturday 8:30 a.m. - 4:30 p.m. (EST).

Our consultants provide assistance with:

- Features and specifications on our full line of appliances.
- Referrals to local dealers.

For parts, accessories and service in Canada

Call **1-800-807-6777**. KitchenAid designated service technicians are trained to fulfill the product warranty and provide after-warranty service, anywhere in Canada.

For further assistance

If you need further assistance, you can write to KitchenAid Canada with any questions or concerns at:

Customer Interaction Center
KitchenAid Canada
1901 Minnesota Court
Mississauga, Ontario L5N 3A7

Please include a daytime phone number in your correspondence.

KITCHENAID® DRYER WARRANTY

TWO-YEAR FULL WARRANTY

For two years from the date of purchase, when this dryer is operated and maintained according to instructions attached to or furnished with the product, KitchenAid will pay for factory specified replacement parts and repair labor costs to correct defects in materials or workmanship. Service must be provided by a KitchenAid designated service company.

THIRD THROUGH FIFTH YEAR LIMITED WARRANTY ON ELECTRONIC CONTROL BOARDS, ELECTRICAL ELEMENT, GAS BURNER, MOTOR

For the third through fifth years from the date of purchase, when this dryer is operated and maintained according to instructions attached to or furnished with the product, KitchenAid will pay for factory specified replacement parts for the following components, if defective in materials or workmanship: the electronic control boards, any electrical element on electric models; any burner on gas models; replacement of the motor.

THIRD THROUGH TENTH YEAR LIMITED WARRANTY ON DRYER DRUM AND TOP/CABINET ASSEMBLY

For the third through tenth years from the date of purchase, when this dryer is operated and maintained according to instructions attached to or furnished with the product, KitchenAid will pay for factory specified replacement parts for the dryer drum and top/cabinet assembly should they rust due to defects in materials or workmanship.

KitchenAid will not pay for:

1. Service calls to correct the installation of your dryer, including venting. Heavy 4" (10.2 cm) metal exhaust vent must be used. Refer to the venting section of this manual and your Installation Instructions.
 2. Service calls to instruct you how to use your dryer, to replace house fuses or correct house wiring or reset circuit breakers, or to replace owner accessible light bulbs.
 3. Repairs when your dryer is used in other than normal, single-family household use.
 4. Damage resulting from accident, alteration, misuse, abuse, fire, floods, acts of God, improper installation (including, but not limited to, venting with plastic or flexible foil), installation not in accordance with local electrical and plumbing codes, or use of products not approved by KitchenAid or KitchenAid Canada.
 5. Replacement parts or repair labor costs for units operated outside the United States and Canada.
 6. Pickup and delivery. This product is designed to be repaired in the home.
 7. Repairs to parts or systems resulting from unauthorized modifications made to the appliance.
 8. In Canada, travel or transportation expenses for customers who reside in remote areas.
 9. Any labor costs incurred during the Limited Warranty periods.
-

KITCHENAID AND KITCHENAID CANADA SHALL NOT BE LIABLE FOR INCIDENTAL OR CONSEQUENTIAL DAMAGES.

Some states and provinces do not allow the exclusion or limitation of incidental or consequential damages, so this exclusion or limitation may not apply to you. This warranty gives you specific legal rights and you may also have other rights which vary from state to state or province to province.

Outside the 50 United States and Canada, this warranty does not apply. Contact your authorized KitchenAid dealer to determine if another warranty applies.

If you need service, first see "Troubleshooting." Additional help can be found by checking "Assistance or Service," or by calling our Customer Interaction Center at **1-800-422-1230**, from anywhere in the U.S.A. or write: KitchenAid Brand Home Appliances, Customer Interaction Center, 553 Benson Road, Benton Harbor, MI 49022-2692. In Canada, call KitchenAid Canada at **1-800-807-6777**. 6/04

Keep this book and your sales slip together for future reference. You must provide proof of purchase or installation date for in-warranty service.

Write down the following information about your dryer to better help you obtain assistance or service if you ever need it. You will need to know your complete model number and serial number. You can find this information on the model and serial number label, located at the top inside dryer door well.

Dealer name _____

Address _____

Phone number _____

Model number _____

Serial number _____

Purchase date _____

SEGURIDAD DE LA SECADORA

Su seguridad y la seguridad de los demás es muy importante.

Hemos incluido muchos mensajes importantes de seguridad en este manual y en su electrodoméstico. Lea y obedezca siempre todos los mensajes de seguridad.



Este es el símbolo de advertencia de seguridad.

Este símbolo le llama la atención sobre peligros potenciales que pueden ocasionar la muerte o una lesión a usted y a los demás.

Todos los mensajes de seguridad irán a continuación del símbolo de advertencia de seguridad y de la palabra "PELIGRO" o "ADVERTENCIA". Estas palabras significan:

⚠ PELIGRO

Si no sigue las instrucciones de inmediato, usted puede morir o sufrir una lesión grave.

⚠ ADVERTENCIA

Si no sigue las instrucciones, usted puede morir o sufrir una lesión grave.

Todos los mensajes de seguridad le dirán el peligro potencial, le dirán cómo reducir las posibilidades de sufrir una lesión y lo que puede suceder si no se siguen las instrucciones.

INSTRUCCIONES IMPORTANTES DE SEGURIDAD

ADVERTENCIA: A fin de reducir el riesgo de incendio, descarga eléctrica o de daño a las personas que usen la secadora, deben seguirse las precauciones básicas, incluidas las siguientes:

- Lea todas las instrucciones antes de usar la secadora.
- No coloque los objetos expuestos a aceite para cocinar en su secadora. Los objetos expuestos a aceites para cocinar pueden contribuir a una reacción química que podría causar que una carga se inflame.
- No seque artículos que ya se hayan limpiado, lavado, remojado o manchado con gasolina, disolventes de limpieza en seco, u otras sustancias inflamables o explosivas ya que despiden vapores que pueden encenderse o causar una explosión.
- No permita que jueguen los niños sobre o dentro de la secadora. Es necesaria la cuidadosa vigilancia de los niños toda vez que se use la secadora cerca de ellos.
- Quite la puerta de la secadora al compartimiento de secado antes de ponerla fuera de funcionamiento o de descartarla.
- No introduzca las manos en la secadora cuando el tambor está en movimiento.
- No instale o almacene esta secadora donde estará expuesta a agua o a la intemperie.
- No trate de forzar los controles.
- No repare o reemplace ninguna pieza de la secadora ni trate de repararla a menos que esto se recomiende específicamente en el Manual del propietario o en instrucciones de reparación publicadas para el usuario que usted comprenda y sólo si cuenta con la experiencia necesaria para llevar a cabo dicha reparación.
- No utilice suavizadores de tejidos o productos para eliminar el estático de prendas a menos que lo recomiende el fabricante del suavizador de tejidos o las instrucciones del producto en uso.
- No utilice calor para secar prendas que contengan espuma de caucho o materiales de caucho con textura similar.
- Limpie el filtro de pelusa antes o después de cada carga de ropa.
- Mantenga el área alrededor de la apertura de ventilación y las áreas adyacentes a esta apertura sin pelusa, polvo o tierra.
- La parte interior de la secadora y el ducto de escape se deben limpiar periódicamente. Esta limpieza la debe llevar a cabo un reparador calificado.
- Vea la instrucciones de instalación para los requisitos de conexión a tierra.

GUARDE ESTAS INSTRUCCIONES

INSTRUCCIONES DE INSTALACIÓN

Herramientas y piezas

Reúna las herramientas y piezas necesarias antes de comenzar la instalación. Lea y siga las instrucciones provistas con cualquiera de las herramientas enlistadas aquí.

- Destornillador de hoja plana
- Llave de tuercas ajustable que se abra a 1" (2,54 cm) o una llave de cubo de cabeza hexagonal (para regular las patas de la secadora)
- Nivel
- Desforrador de alambre (instalaciones de cableado directo)
- Destornillador Phillips #2
- Abrazaderas para ducto
- Pistola y masilla para calafateo (para instalar el nuevo ducto de escape)
- Tijeras de lata (instalaciones del nuevo ducto de escape)
- Llave para tuercas de 1/4"

Piezas suministradas

Retire los paquetes de piezas del tambor de la secadora. Verifique que estén todas las piezas.



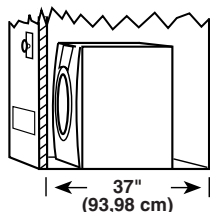
4 patas niveladoras

NOTA: No use patas niveladoras si va a instalar la secadora sobre un pedestal.

Piezas para adquirir

Verifique los códigos locales; verifique el suministro eléctrico existente y la ventilación. Vea "Requisitos eléctricos" y "Requisitos de ventilación" antes de comprar las piezas.

- Para instalaciones de espacio limitado entre 31,5" (80,01 cm) y 37" (93,98 cm), vea la sección "Planificación del sistema de ventilación" para obtener los requisitos de ventilación.

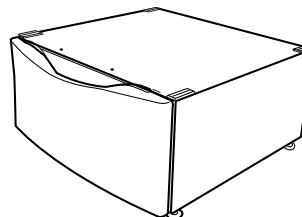


Las instalaciones en casas rodantes necesitan artículos de ferretería para sistemas de ventilación de metal que se pueden comprar con el distribuidor en donde compró la secadora. Para obtener más información, sírvase referirse a la sección "Ayuda o servicio técnico" de este manual.

Opciones

Pedestal

¿Va a colocar la secadora en un pedestal? Puede comprar un pedestal aparte para esta secadora. Este pedestal agregará unas 13" (33 cm) a la altura de la unidad, para llegar a una altura total aproximada de 51" (130 cm).



Pedestal opcional

Para encargarse, llame al distribuidor en donde compró la secadora o consulte la sección "Ayuda o servicio técnico" de este manual. Pida la Pieza número LAB2700PMT (meteorito) o LAB2700MQ0 (blanco).

Juego para apilar

¿Está usted planeando apilar la lavadora y secadora? Para hacer eso, necesitará comprar un juego para apilar.

Para encargarse, llame al distribuidor en donde compró la secadora o refiérase a la sección "Ayuda o servicio técnico" de este manual. Pida la pieza número 8541503.

Requisitos de ubicación

⚠ ADVERTENCIA



Peligro de Explosión

Mantenga los materiales y vapores inflamables, como la gasolina, lejos de la secadora.

Coloque la secadora a un mínimo de 46 cm sobre el piso para la instalación en un garaje.

No seguir estas instrucciones puede ocasionar la muerte, explosión o incendio.

Usted necesitará

- Una ubicación que permita una instalación adecuada del ducto de escape. Consulte "Requisitos de ventilación".
- Un circuito separado de 30 amperios.
- Un contacto con conexión a tierra ubicado a no más de 2 pies (61 cm) de cualquiera de los lados de la secadora. Vea "Requisitos eléctricos".

- Un piso resistente para soportar la secadora con un peso total de 200 lbs (90,7 kg). Asimismo se debe considerar el peso de otro artefacto que la acompañe.
- Un piso nivelado con un declive máximo de 1" (2,5 cm) debajo de la secadora completa. Si el declive es mayor que 1" (2,5 cm), instale el juego de extensión de patas de la secadora, Pieza No. 279810. La ropa quizás no rote adecuadamente y los ciclos del sensor automático posiblemente no funcionen debidamente si la secadora no está nivelada.
- Para la instalación en un garaje, tendrá que colocar la secadora a una altura mínima de 18" (46 cm) encima del piso. Si va a usar un pedestal, necesitará 6" (15,24 cm) adicionales.

No ponga a funcionar su secadora a temperaturas inferiores a 45°F (7°C). A temperaturas inferiores, es posible que la secadora no se apague al final de un ciclo automático. Los tiempos de secado pueden prolongarse.

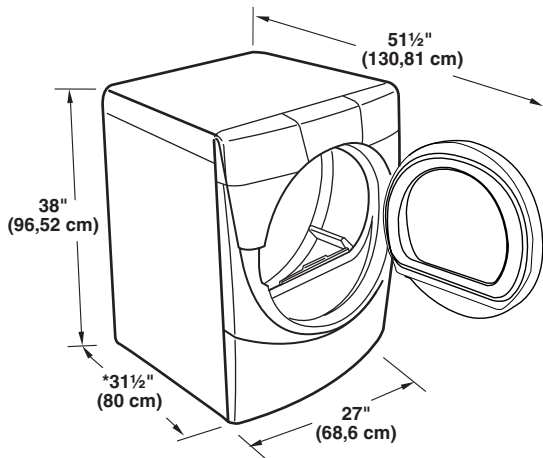
No debe instalarse ni guardarse la secadora en un área en donde pueda estar expuesta al agua y/o a la intemperie.

Verifique los requisitos de los códigos. Algunos códigos limitan, o no permiten, la instalación de la secadora en garajes, clósets, casas rodantes o en dormitorios. Póngase en contacto con el inspector de construcciones de su localidad.

Espacios para la instalación

- La ubicación debe ser lo suficientemente grande para poder abrir completamente la puerta de la secadora.
- Debe considerarse el espacio adicional para facilitar la instalación y el servicio técnico.
- Se podrían necesitar espacios libres adicionales para las molduras de la pared, de la puerta y del piso.
- Se recomienda un espacio adicional de 1" (2,5 cm) en todos los lados de la secadora para reducir la transferencia de ruido.
- También se debe considerar espacio adicional para otro electrodoméstico que le acompañe.

Dimensiones de la secadora

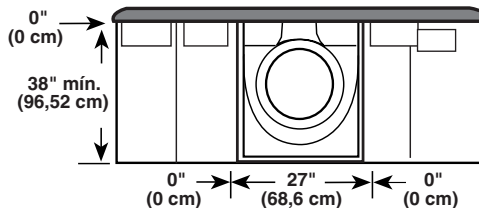


*La mayoría de las instalaciones requieren un espacio libre mínimo de 5 1/2" (14 cm) detrás de la secadora para acomodar el ducto de escape con codo. Vea "Requisitos de ventilación".

Espacio mínimo para la instalación a medida debajo del mostrador

Las dimensiones que se ilustran son para el espacio mínimo permitido.

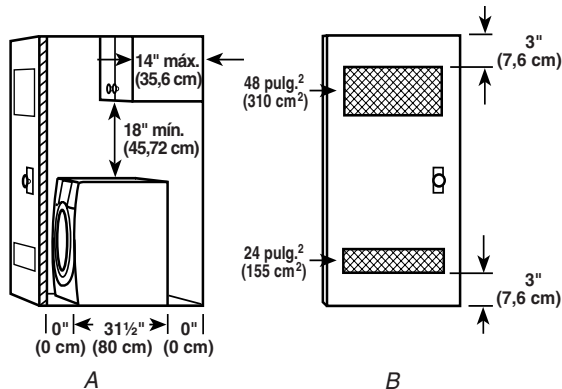
Instalación a medida debajo del mostrador - Sólo para la secadora



Espacio mínimo para la instalación en un lugar empotrado o en un clóset, con o sin pedestal

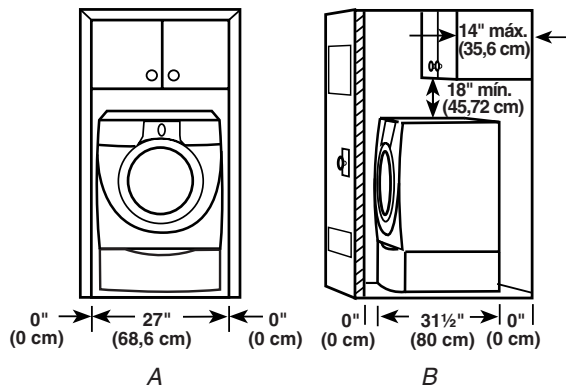
- Las dimensiones que se ilustran son para el espacio mínimo permitido.
- Para la instalación en clóset, con una puerta, se requieren aberturas de ventilación mínimas en la parte superior e inferior de la puerta. Se aceptan puertas tipo persiana con aberturas de ventilación equivalentes.

Instalación en un clóset - Sólo para la secadora



A. Vista lateral - clóset o lugar confinado
B. Puerta del clóset con orificios de ventilación

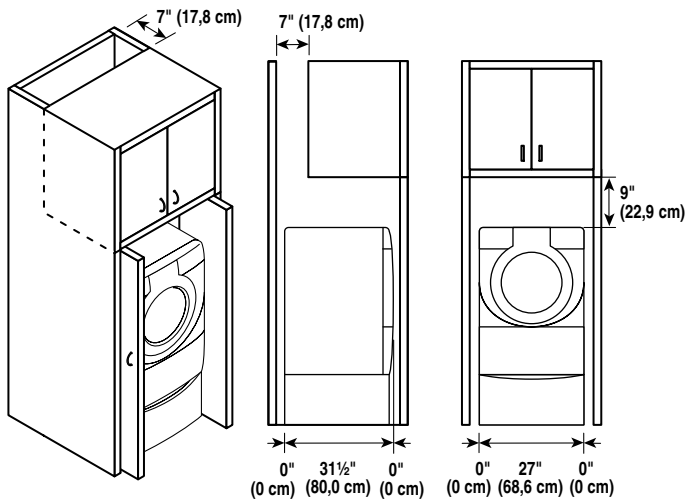
Instalación en un clóset o lugar empotrado - Secadora sobre un pedestal



A. Lugar empotrado
B. Vista lateral - clóset o lugar confinado

Espacio mínimo para la instalación en un armario

- Las dimensiones que se ilustran son para el espacio mínimo permitido.
- Para la instalación en armario, con una puerta, se requieren aberturas de ventilación mínimas en la parte superior e inferior del armario.



Requisitos de instalación adicionales para las casas rodantes

Esta secadora es apropiada para instalaciones en casas rodantes. La instalación debe ajustarse al Manufactured Home Construction and Safety Standard (Estándar de seguridad y construcción de casas fabricadas), Título 24 CFR, Parte 3280 (anteriormente conocido como Federal Standard for Mobile Home Construction and Safety [Estándar federal para la seguridad y construcción de casas rodantes], Título 24, HUD Parte 280).

Las instalaciones en casas rodantes necesitan:

- Herramientas para el sistema de escape de metal, que están disponibles con su distribuidor.
- Se deben tomar medidas especiales en el caso de casas rodantes para introducir el aire del exterior en la secadora. La abertura (como la de una ventana adyacente) deberá ser por lo menos el doble de tamaño que la abertura de ventilación de la secadora.

Requisitos eléctricos - EE. UU.

Usted es responsable de

- Ponerse en contacto con un instalador eléctrico calificado.
- Asegurarse de que la conexión eléctrica sea adecuada y de conformidad con el Código Nacional Eléctrico, ANSI/NFPA 70 - última edición y con todos los códigos y ordenanzas locales.

El Código Nacional Eléctrico requiere una conexión de suministro de energía eléctrica de 4 hilos para aquellos hogares construidos después de 1996, para los circuitos de secadora que se hayan reformado después de 1996 y todas las instalaciones de casas rodantes.

Usted puede obtener una copia de todas las normas arriba indicadas en: National Fire Protection Association, One Batterymarch Park, Quincy, MA 02269.

- Proveer el suministro eléctrico requerido de 3 ó 4 alambres, monofásico, de 120/240 voltios, 60 Hz, CA solamente (o un suministro eléctrico de 3 ó 4 alambres, de 120/208 voltios, si se especifica en la placa indicadora de corriente/de la serie) en un circuito separado de 30 amperios, protegido con fusibles en ambos lados de la línea. Se recomienda un fusible retardador o un cortacircuitos. Conéctela a un circuito derivado individual. No tenga un fusible en el circuito neutro o de conexión a tierra.

- No use un cable eléctrico de extensión.
- Si los códigos lo permiten y se emplea un alambre de conexión a tierra separado, es recomendable que un electricista calificado determine si la trayectoria de conexión a tierra es adecuada.

Conexión eléctrica

Para instalar su secadora adecuadamente, usted debe determinar el tipo de conexión eléctrica que va a usar y seguir las instrucciones que aquí se proveen para el caso.

- Esta secadora ha sido manufacturada lista para ser instalada en una conexión de suministro de energía eléctrica de 3 hilos. El conductor verde de puesta a tierra del gabinete está permanentemente conectado al conductor neutral (cable blanco) dentro de la secadora. Si la secadora está instalada con una conexión de suministro eléctrico de 4 hilos, el conductor verde de puesta a tierra del gabinete se debe quitar del conector de puesta a tierra exterior (tornillo verde) y ajustar debajo del terminal neutral (cable central o blanco) del bloque de terminales. Cuando el conductor verde de puesta a tierra del gabinete esté ajustado debajo del terminal neutral (cable central o blanco) del bloque de terminales, el gabinete de la secadora queda aislado del conductor neutral.
- Si los códigos locales no permiten la conexión de un conector para conexión a tierra del equipo al alambre neutro, vea la sección "Conexión opcional de 3 hilos".
- Use un cable conductor de 4 alambres cuando se instale la secadora en una casa rodante o un área donde los códigos locales no permiten la conexión a tierra mediante el alambre neutro.

Si emplea un cable de suministro eléctrico:

Use un juego que esté en la lista de UL para cable de suministro eléctrico que esté marcado para ser usado en secadoras de ropa. El juego deberá contener:

- Un cable de suministro eléctrico de 30 amperios que esté en la lista de UL, con 120/240 voltios mínimo. El cable deberá ser del tipo SRD o SRDT y deberá tener un largo de por lo menos 4 pies (1,22 m). Los hilos que conectan con la secadora deberán terminar en terminales de anillo o de horquilla con los extremos hacia arriba.
- Un protector de cables que esté en la lista de UL.

Si el contacto de pared luce como éste:



Contacto de 4 alambres (14-30R)

Entonces elija un cable de suministro eléctrico de 4 alambres con terminales de anillo o de horquilla y con protector de cables que esté en la lista de UL. El cable de suministro eléctrico de 4 hilos, de por lo menos 4 pies (1,22 m) de largo, deberá tener 4 hilos de cobre de calibre 10 y coincidir con un receptáculo de 4 hilos tipo NEMA 14-30R. El hilo de conexión a tierra (conductor a tierra) puede ser verde o desnudo. El conductor neutro debe ser identificado con una cubierta blanca.

Si el contacto de pared luce como éste:



Contacto de 3 alambres (10-30R)

Entonces elija un cable de suministro eléctrico de 3 alambres con terminales de anillo o de horquilla y con protector de cables que esté en la lista de UL. El cable de suministro eléctrico de 3 hilos, de por lo menos 4 pies (1,22 m) de largo, deberá tener 3 hilos de cobre de calibre 10 y coincidir con un receptáculo de 3 hilos tipo NEMA 10-30R.

Si hace la conexión con cableado directo:

El cable de suministro eléctrico debe ser igual al del suministro eléctrico (de 4 alambres o de 3 alambres) y debe ser:

- Cable blindado flexible o cable de cobre forrado no metálico (con alambre puesto a tierra), protegido con un conducto metálico flexible. Todos los alambres conductores de corriente deben estar aislados.
- Alambre de cobre sólido de calibre 10. (No utilice aluminio.)
- Por lo menos 5 pies (1,52 m) de largo.

INSTRUCCIONES PARA LA CONEXIÓN A TIERRA

- Para la conexión de una secadora mediante cable eléctrico conectado a tierra:

Esta secadora debe estar conectada a tierra. En el caso de funcionamiento defectuoso o avería, la conexión a tierra reducirá el riesgo de choque eléctrico al proporcionar una vía de menor resistencia para la corriente eléctrica. Esta secadora usa un cable que cuenta con un conductor para la conexión a tierra del equipo y un enchufe de conexión a tierra. El enchufe debe conectarse en un contacto apropiado, que esté debidamente instalado y conectado a tierra de acuerdo con todos los códigos y ordenanzas locales.

- Para la conexión permanente de una secadora: Esta secadora debe estar conectada a un sistema de cableado de metal permanente, conectado a tierra, o se debe tender un conducto para la conexión a tierra del equipo con los conductores de circuito y conectado al terminal de tierra del equipo o al conductor de suministro de la secadora.

ADVERTENCIA: La conexión indebida del conductor para la conexión a tierra del equipo puede ocasionar un riesgo de choque eléctrico. Verifique con un electricista, representante o personal de servicio técnico calificado para asegurarse de que la conexión a tierra de la secadora sea apropiada. No modifique el enchufe que viene con el cable eléctrico. Si no encaja en el contacto, contrate un electricista calificado para que instale un contacto adecuado.

GUARDE ESTAS INSTRUCCIONES

Cable de suministro eléctrico

⚠ ADVERTENCIA



Peligro de Incendio

Use un cable de suministro eléctrico nuevo de 30 amperes que esté en la lista de UL.

Use un protector de cables que esté en la lista de UL.

Desconecte el suministro eléctrico antes de hacer las conexiones eléctricas.

Conecte el alambre neutro (el blanco o el del centro) al terminal central (plateada).

El alambre de tierra (el verde o el no aislado) se debe conectar con el conector verde de tierra.

Conecte los 2 alambres de suministro restantes con las 2 terminales restantes (las doradas).

Apriete firmemente todas las conexiones eléctricas.

No seguir estas instrucciones puede causar la muerte, incendio, o choque eléctrico.

Cableado directo

⚠ ADVERTENCIA



Peligro de Incendio

Utilice alambres de cobre sólido de ancho 10.

Use un protector de cables que esté en la lista de UL.

Desconecte el suministro eléctrico antes de hacer las conexiones eléctricas.

Conecte el alambre neutro (el blanco o el del centro) al terminal central (plateada).

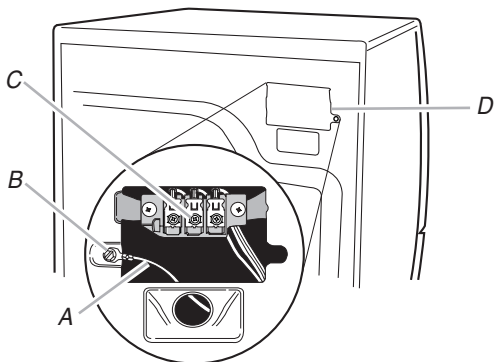
El alambre de tierra (el verde o el no aislado) se debe conectar con el conector verde de tierra.

Conecte los 2 alambres de suministro restantes con las 2 terminales restantes (las doradas).

Apriete firmemente todas las conexiones eléctricas.

No seguir estas instrucciones puede causar la muerte, incendio o choque eléctrico.

1. Desconecte el suministro de energía.
2. Quite el tornillo de sujeción y la tapa del bloque de terminal.




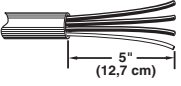

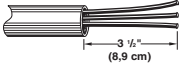
- A. Alambre de conexión a tierra neutro (verde con rayas amarillas)
B. Tornillo conductor a tierra externo
C. Tornillo central del bloque de terminal de color plateado
D. Tapa del bloque de terminal y tornillo de sujeción

3. Monte un protector de cables que esté en la lista de UL de 3/4" (1,9 cm) (el protector de cables tiene la marca de UL) en el orificio que está debajo de la abertura del bloque de terminal. Ajuste los tornillos del protector de cables lo suficiente para mantener las dos secciones de la abrazadera juntas. Haga pasar el cable de suministro eléctrico a través del protector de cables. El protector de cables deberá encajar bien con el gabinete de la secadora y estar en posición horizontal.



4. Ahora termine la instalación siguiendo las instrucciones para el tipo de su conexión eléctrica:
Alambre de 4 hilos (se recomienda)
Alambre de 3 hilos (si no dispone de alambre de 4 hilos)

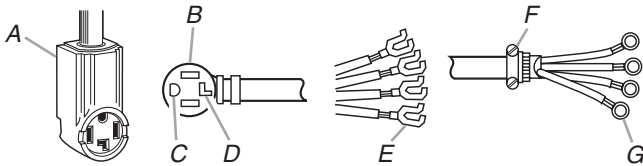
Opciones para la conexión eléctrica

| Si su casa tiene: | Y usted va a conectar con: | Vaya a la sección |
|--|---|--|
| Un contacto de 4 hilos (tipo NEMA 14-30R)  | Un cordón de suministro eléctrico para secadora, que esté en la lista de UL, de 120/240 voltios mínimo y 30 amperios* | Conexión de 4 hilos: Cordón de suministro eléctrico |
| Cable directo de 4 hilos  | Un desconectador con fusible o una caja de disyuntor* | Conexión de 4 hilos: Cable directo |
| Contacto de 3 hilos (tipo NEMA 10-30R)  | Un cordón de suministro eléctrico para secadora, que esté en la lista de UL, de 120/240 voltios mínimo y 30 amperios* | Conexión de 3 hilos: Cordón de suministro eléctrico |
| Cable directo de 3 hilos  | Un desconectador con fusible o una caja de disyuntor* | Conexión de 3 hilos: Cable directo |

*Si los códigos locales no permiten la conexión de un conductor de conexión a masa al cable neutro, prosiga a la sección "Conexión opcional de 3 hilos".

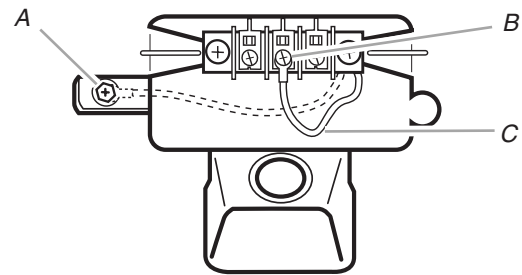
Conexión de 4 hilos: Cordón de suministro de corriente

IMPORTANTE: Se necesita una conexión de alambre de cuatro hilos para las casas rodantes y para los casos en que los códigos locales no permitan el uso de conexiones de 3 hilos.



- A. Contacto de cuatro alambres (tipo NEMA 14-30R)
- B. Enchufe de 4 terminales
- C. Terminal de conexión a tierra
- D. Terminal neutro
- E. Terminales de horquilla con los extremos hacia arriba
- F. Protector de cables que esté en la lista de UL, de 3/4" (1,9 cm)
- G. Terminales anulares

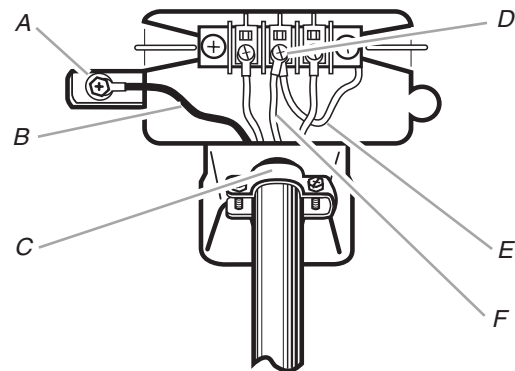
1. Saque el tornillo central del bloque terminal.
2. Saque el hilo de tierra del aparato (verde con rayas amarillas) del tornillo conductor de tierra externo. Fíjelo debajo del tornillo central de color plateado del bloque terminal.



A. Tornillo conductor de tierra externo – La línea punteada ilustra la posición del hilo de tierra NEUTRO antes de moverlo al tornillo central del bloque de terminal

B. Tornillo central de color plateado del bloque de terminal
C. Hilo verde/amarillo del mazo de conductores

3. Conecte el hilo de tierra (verde o desnudo) del cordón de suministro de corriente al tornillo conductor de tierra externo. Apriete el tornillo.
4. Conecte el hilo neutro (hilo blanco o central) del cordón de suministro de corriente debajo del tornillo central del bloque de terminal.



A. Tornillo conductor de tierra externo

B. Hilo de puesta a tierra (verde o desnudo) del cable de alimentación eléctrica

C. Protector de cables que esté en la lista de UL de 3/4" (1,9 cm)

D. Tornillo central de color plateado del bloque de terminal

E. Hilo neutro de puesta a tierra (verde con rayas amarillas)

F. Hilo neutro (hilo blanco o central)

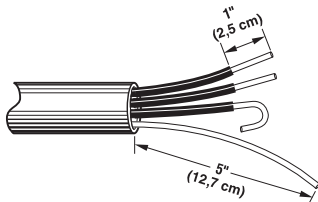
5. Conecte los otros hilos a los tornillos exteriores del bloque de terminal. Apriete los tornillos.
6. Apriete los tornillos del protector de cables.
7. Introduzca la lengüeta de la cubierta del bloque de terminal en la ranura del panel posterior de la secadora. Asegure la cubierta con el tornillo de sujeción.

Conexión de 4 hilos: Cable directo

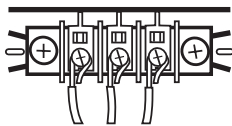
IMPORTANTE: Se necesita una conexión de alambre de 4 hilos para las casas rodantes y para los casos en que los códigos locales no permitan el uso de conexiones de 3 hilos.

El cable de conexión directa debe tener 5 pies (1,52 m) extra de largo para poder mover la secadora si fuese necesario.

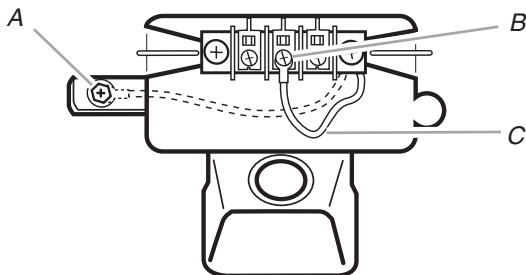
Pele 5" (12,7 cm) de la cubierta exterior desde el extremo del cable, dejando el hilo de tierra desnudo a 5" (12,7 cm). Corte 1½" (3,8 cm) de los 3 hilos restantes. Pele el aislamiento 1" (2,5 cm) hacia atrás. Doble los extremos de los hilos para formar un gancho.



Al conectar el hilo al bloque de terminal, coloque el extremo del hilo en forma de gancho debajo del tornillo del bloque de terminal (con el gancho mirando hacia la derecha). Apriete y junte el extremo en forma de gancho y apriete el tornillo. Vea el ejemplo debajo.

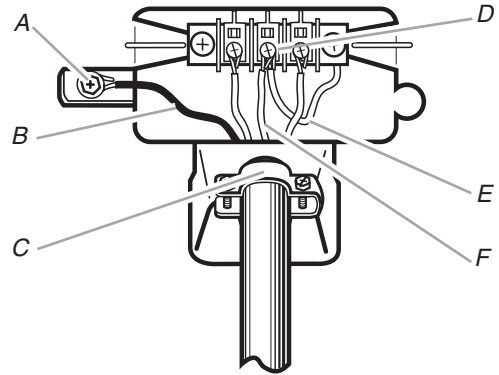


1. Saque el tornillo central del bloque terminal.
2. Saque el hilo de tierra del aparato (verde con rayas amarillas) del tornillo conductor de tierra externo. Fíjelo debajo del tornillo central de color plateado del bloque de terminal.



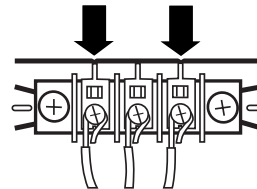
- A. Tornillo conductor de tierra externo – La línea punteada ilustra la posición del hilo de tierra NEUTRO antes de moverlo al tornillo central del bloque de terminal
- B. Tornillo central de color plateado del bloque de terminal
- C. Hilo verde/amarillo del mazo de conductores

3. Conecte el hilo de tierra (verde o desnudo) del cable de suministro de corriente al tornillo del conductor de tierra externo. Apriete el tornillo.



- A. Tornillo conductor de tierra externo
- B. Hilo verde o desnudo de cobre del cordón de suministro de corriente
- C. Protector de cables que esté en la lista de UL de ¾" (1,9 cm)
- D. Tornillo central de color plateado del bloque terminal
- E. Hilo neutro de puesta a tierra (verde con rayas amarillas)
- F. Hilo neutro (hilo blanco o central)

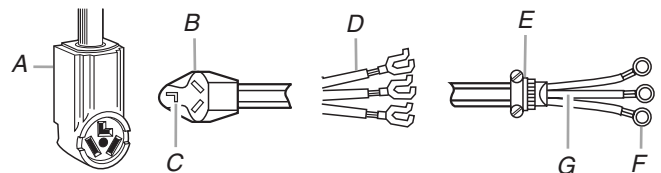
4. Coloque el extremo del hilo neutro en forma de gancho (hilo blanco) del cable de suministro de corriente debajo del tornillo central del bloque terminal (con el gancho mirando hacia la derecha). Apriete y junte el extremo enganchado. Apriete el tornillo.
5. Coloque los extremos enganchados de los otros hilos del cable de suministro de corriente debajo de los tornillos exteriores del bloque terminal (con los ganchos mirando hacia la derecha). Apriete y junte los extremos enganchados. Apriete los tornillos.



6. Apriete los tornillos del protector de cables.
7. Introduzca la lengüeta de la cubierta del bloque de terminal en la ranura del panel posterior de la secadora. Asegure la cubierta con el tornillo de sujeción.

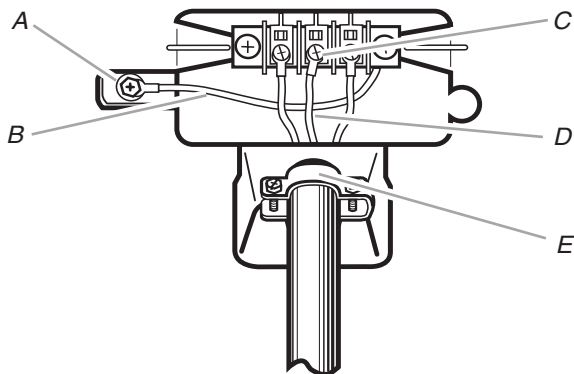
Conexión de 3 hilos: Cordón de suministro eléctrico

Use cuando los códigos locales permitan la conexión del conductor de tierra del gabinete al hilo neutro.



- A. Tomacorriente de 3 hilos (tipo NEMA 10-30R)
- B. Enchufe para 3 hilos
- C. Terminal neutro
- D. Terminales de horquilla con extremos hacia arriba
- E. Protector de cables que esté en la lista de UL de ¾" (1,9 cm)
- F. Terminales anulares
- G. Hilo neutro (hilo blanco o central)

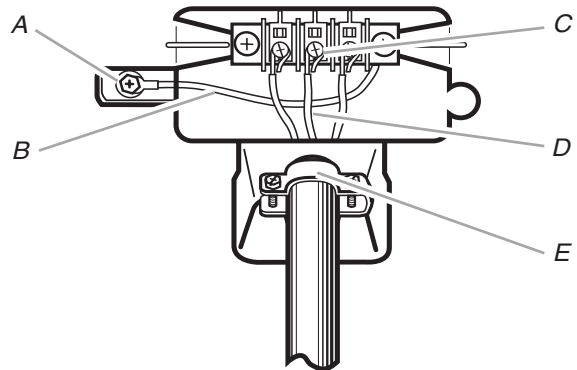
1. Afloje o saque el tornillo central del bloque terminal.
2. Conecte el hilo neutro (hilo blanco o central) del cordón de suministro de corriente al tornillo central de color plateado del bloque terminal. Apriete el tornillo.



- A. Tornillo conductor de tierra externo
 B. Hilo neutro de puesta a tierra (verde con rayas amarillas)
 C. Tornillo central de color plateado del bloque de terminal
 D. Hilo neutro (hilo blanco o central)
 E. Protector de cables que esté en la lista de UL de 3/4" (1,9 cm)

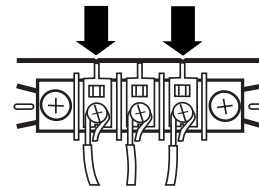
3. Conecte los otros hilos a los tornillos exteriores del bloque terminal. Apriete los tornillos.
4. Apriete los tornillos del protector de cables.
5. Introduzca la lengüeta de la cubierta del bloque de terminal en la ranura del panel posterior de la secadora. Asegure la cubierta con el tornillo de sujeción.

1. Afloje o saque el tornillo central del bloque de terminal.
2. Coloque el extremo en forma de gancho del hilo neutro (hilo blanco o central) del cable de suministro de corriente debajo del tornillo central del bloque terminal (con el gancho mirando hacia la derecha). Apriete y junte el extremo enganchado. Apriete el tornillo.



- A. Tornillo conductor de tierra externo
 B. Hilo neutro de puesta a tierra (verde con rayas amarillas)
 C. Tornillo central de color plateado del bloque de terminal
 D. Hilo neutro (hilo blanco o central)
 E. Protector de cables que esté en la lista de UL de 3/4" (1,9 cm)

3. Coloque los extremos enganchados de los otros hilos del cable de suministro de corriente debajo de los tornillos exteriores del bloque de terminal (con los ganchos mirando hacia la derecha). Apriete y junte los extremos enganchados. Apriete los tornillos.



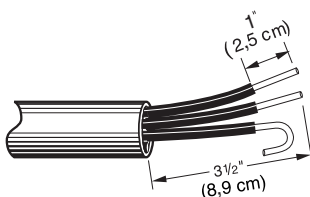
4. Apriete los tornillos del protector de cables.
5. Introduzca la lengüeta de la cubierta del bloque de terminal en la ranura del panel posterior de la secadora. Asegure la cubierta con el tornillo de sujeción.

Conexión de 3 hilos: Cable directo

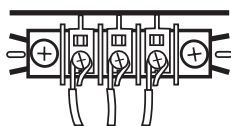
Use cuando los códigos locales permitan la conexión del conductor de tierra del gabinete al hilo neutro.

El cable de conexión directa debe tener 5 pies (1,52 m) extra de largo para poder mover la secadora si fuese necesario.

Pele 3 1/2" (8,9 cm) de la cubierta exterior desde el extremo del cable. Pele el aislamiento 1" (2,5 cm) hacia atrás. Si usa un cable trifilar con hilo de tierra, corte el hilo desnudo para que quede nivelado con la cubierta exterior. Doble los extremos de los hilos para formar un gancho.



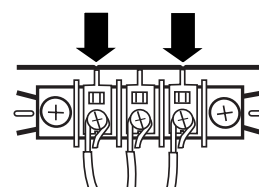
Al conectar el hilo al bloque de terminal, coloque el extremo del hilo en forma de gancho debajo del tornillo del bloque de terminal (con el gancho mirando hacia la derecha). Apriete y junte el extremo en forma de gancho y apriete el tornillo. Vea el ejemplo debajo.



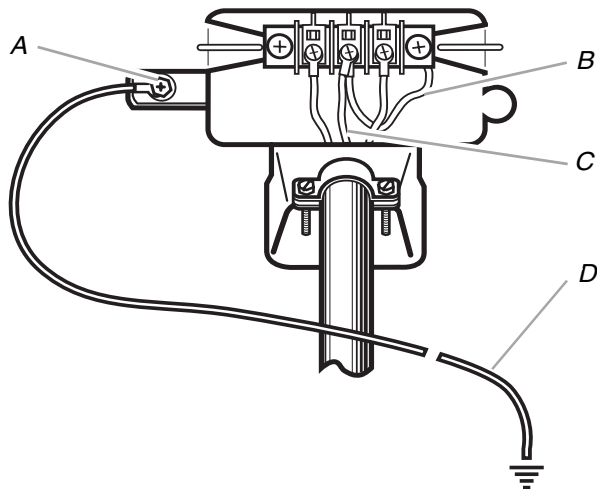
Conexión opcional de 3 hilos

Use para cable directo o cordón de suministro de corriente donde los códigos locales no permitan la conexión del conductor de tierra del gabinete con el hilo neutro.

1. Saque el tornillo central del bloque terminal.
2. Saque el hilo de tierra del aparato (verde con rayas amarillas) del tornillo conductor de tierra externo. Conecte el hilo de tierra del aparato y el hilo neutro (hilo blanco o central) del cordón/cable de suministro de corriente debajo del tornillo central de color plateado del bloque terminal. Apriete el tornillo.
3. Conecte los otros hilos a los tornillos exteriores del bloque terminal. Apriete los tornillos.



4. Apriete los tornillos del protector de cables.
5. Introduzca la lengüeta de la cubierta del bloque de terminal en la ranura del panel posterior de la secadora. Asegure la cubierta con el tornillo de sujeción.
6. Conecte un hilo de tierra de cobre separado desde el tornillo conductor de tierra externo a tierra adecuada.



- A. Tornillo conductor de tierra externo
 B. Hilo neutro de puesta a tierra (verde con rayas amarillas)
 C. Hilo neutro (hilo blanco o central)
 D. Camino de puesta a tierra determinado por un electricista capacitado

- No use una capota de ventilación con pestillo magnético.
- No instale el ducto de escape de metal flexible en paredes, techos o pisos encerrados.
- Utilice abrazaderas para sellar todas las juntas. No debe conectarse ni asegurarse el ducto de escape con tornillos ni con ningún otro dispositivo que se extienda hacia el interior de dicho ducto. No utilice cinta para conductos.

IMPORTANTE: Observe todas las normas y ordenanzas vigentes.

La ventilación inadecuada puede ocasionar la acumulación de humedad y pelusa en la casa, lo cual puede dar como resultado:

- Daños de humedad en la carpintería, muebles, pintura, empapelado, alfombras, etc.
- Problemas en la limpieza de la casa y de salud.

Use un ducto de escape de metal pesado. No use un ducto de escape de plástico ni de hoja de aluminio.

Se recomienda el ducto de escape de metal rígido para evitar que se aplaste o se tuerza.

El ducto de escape de metal flexible debe extenderse y sostenerse por completo cuando la secadora esté en su ubicación final. Quite el exceso del ducto de metal flexible para evitar que se doble y se tuerza, lo cual podría dar lugar a una reducción del flujo de aire y bajo rendimiento.

Una capota de ventilación debe tapar el ducto de escape para evitar el ingreso de roedores e insectos a la casa.

La capota de ventilación debe estar por lo menos a 12" (30,5 cm) de distancia del piso o de cualquier objeto que pudiese estar en el trayecto del ducto de escape (como flores, rocas o arbustos, etc.).

Si se usa un sistema de ventilación existente, limpie la pelusa que está a lo largo del sistema y asegúrese de que la capota de ventilación no esté obstruida con pelusa. Reemplace cualquier ducto de escape de plástico o de hoja de metal por uno de metal rígido o de metal flexible.

Requisitos de ventilación

⚠ ADVERTENCIA



Peligro de Incendio

Use un ducto de escape de metal pesado.

No use un ducto de escape de plástico.

No use un ducto de escape de aluminio.

No seguir estas instrucciones puede ocasionar la muerte o incendio.

ADVERTENCIA: Para reducir el riesgo de incendio, esta secadora DEBE VENTILARSE HACIA EL EXTERIOR.

Se debe usar un ducto de escape de metal pesado de 4" (10,2 cm) y abrazaderas. Los productos de ventilación DURASAFE™ son recomendables.

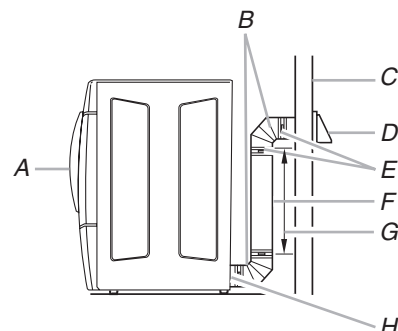
Los productos de ventilación DURASAFE™ pueden adquirirse con su distribuidor o llamando a Whirlpool Parts and Accessories (Piezas y accesorios de Whirlpool). Para más información, vea la sección "Ayuda o servicio técnico" de este manual.

- La salida de la secadora no debe conectarse en ningún ducto de escape de gas, chimenea, pared, techo o el espacio oculto de un edificio.

Planificación del sistema de ventilación

Instalaciones típicas de escape

Las instalaciones típicas tienen la ventilación en la parte posterior de la secadora. Otras instalaciones son posibles.



- A. Secadora
 B. Codo
 C. Pared
 D. Capota de ventilación
 E. Abrazaderas

- F. Ducto de escape de metal rígido o de metal flexible
 G. Longitud necesaria del ducto de escape para conectar los codos
 H. Salida de ventilación

Instalaciones opcionales de escape

Esta secadora puede ser adaptada con el escape hacia el lado derecho, hacia el lado izquierdo o en la parte inferior. Póngase en contacto con su distribuidor local para hacer convertir su secadora.

⚠ ADVERTENCIA



Peligro de Incendio

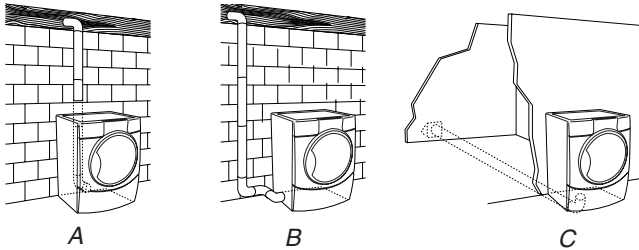
Cubra los orificios de escape con uno de los juegos siguientes:

279818 (blanco)

280028 (meteorito)

Comuníquese con su distribuidor local.

No seguir estas instrucciones puede ocasionar la muerte, incendio, choque eléctrico, o lesiones graves.



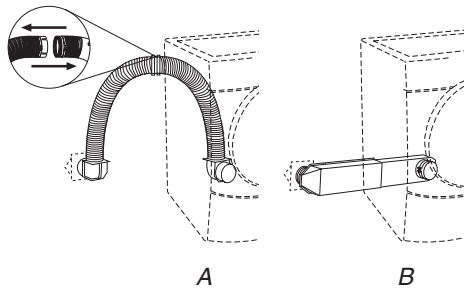
A. Instalación estándar con desviación de la ventilación en la parte posterior

B. Instalación de ventilación lateral a la izquierda o a la derecha

C. Instalación de ventilación inferior (no es una opción para instalaciones de pedestal)

Instalaciones alternas para espacios limitados

Los sistemas de ventilación vienen en una amplia gama. Seleccione el tipo más apropiado para su instalación. A continuación se ilustran dos tipos de instalación para espacios limitados. Consulte las instrucciones del fabricante.



A. Instalación en la parte superior (también está disponible con un codo de desviación)

B. Instalación de periscopio

NOTA: Se pueden adquirir los siguientes juegos para instalaciones alternas en espacios limitados. Para obtener más información, sírvase referirse a la sección "Ayuda o servicio técnico" de este manual.

- Instalación en la parte superior:

Pieza número 4396028

- Instalación de periscopio (Para usar si hay desacoplo entre el ducto de escape de la pared y el ducto de escape de la secadora):

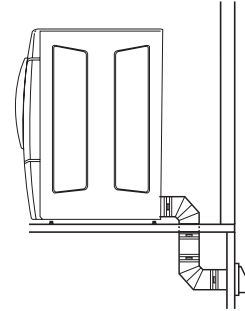
Pieza número 4396037 – Desacoplo de 0" (0 cm) a 18" (45,72 cm)

Pieza número 4396011 – Desacoplo de 18" (45,72 cm) a 29" (73,66 cm)

Pieza número 4396014 – Desacoplo de 29" (73,66 cm) a 50" (127 cm)

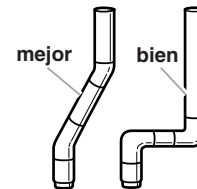
Previsiones especiales para las instalaciones en casas rodantes

El ducto de escape deberá sujetarse firmemente en un lugar no inflamable de la estructura de la casa rodante y no debe terminar debajo de la casa rodante. El ducto de escape debe terminar en el exterior.



Cálculo de la longitud del ducto de escape

1. Seleccione la vía que proporcione el trayecto más recto y directo al exterior. Planifique la instalación a fin de usar el menor número posible de codos y vueltas. Cuando use los codos o haga vueltas, deje todo el espacio que sea posible. Doble el ducto de escape gradualmente para evitar que se retuerza. Evite vueltas de 90° en la medida de lo posible.

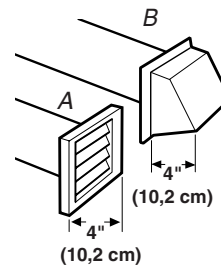


2. Determinación de la longitud del ducto de escape.

La longitud máxima del sistema de ventilación depende de:

- El tipo de ducto de escape (metal rígido o metal flexible).
- El número de codos utilizados.
- Tipo de capota de ventilación.

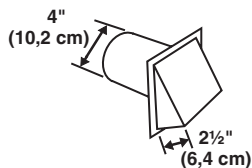
Los estilos recomendados de capotas de ventilación se ilustran aquí.



A. Estilo de capota de ventilación tipo persiana

B. Estilo de capota de ventilación tipo caja

El estilo de capota de ventilación angular (que se ilustra a continuación) es aceptable.



Vea el cuadro de longitudes de ducto de escape que vaya de acuerdo con su tipo de capota de ventilación para fijarse en las longitudes máximas del ducto de escape que usted puede usar.

Los sistemas de ventilación más largos que los especificados:

- Acortarán la vida útil de la secadora.
- Reducirán el rendimiento, dando lugar a tiempos de secado más largos y un aumento en el consumo de energía.

3. Determine el número de codos que va a necesitar.

IMPORTANTE: No use tendidos de ducto de escape más largos que los especificados en el cuadro de longitudes de ductos de escape.

El siguiente cuadro de longitudes de ducto de escape le ayudará a determinar la longitud máxima del ducto, de acuerdo con el número de vueltas de 90° o codos que necesitará y con el tipo de ducto (metal rígido o metal flexible) y capota que va a usar.

Cuadro de longitudes de ducto de escape

| No. de vueltas de 90° o codos | Tipo de ducto de escape | Capotas de ventilación de caja o tipo persianas | Capotas de ventilación angulares |
|-------------------------------|-------------------------|---|----------------------------------|
| 0 | Metal rígido | 64 pies (20 m) | 58 pies (17,7 m) |
| | Metal flexible | 36 pies (11 m) | 28 pies (8,5 m) |
| 1 | Metal rígido | 54 pies (16,5 m) | 48 pies (14,6 m) |
| | Metal flexible | 31 pies (9,4 m) | 23 pies (7 m) |
| 2 | Metal rígido | 44 pies (13,4 m) | 38 pies (11,6 m) |
| | Metal flexible | 27 pies (8,2 m) | 19 pies (5,8 m) |
| 3 | Metal rígido | 35 pies (10,7 m) | 29 pies (8,8 m) |
| | Metal flexible | 25 pies (7,6 m) | 17 pies (5,2 m) |
| 4 | Metal rígido | 27 pies (8,2 m) | 21 pies (6,4 m) |
| | Metal flexible | 23 pies (7 m) | 15 pies (4,6 m) |

NOTA: Las instalaciones de ventilación laterales e inferiores tienen una vuelta de 90° dentro de la secadora. Para determinar la longitud máxima de ventilación, agregue una vuelta de 90° al cuadro.

Instalación del sistema de ventilación

1. Instale la capota de ventilación. Emplee una masilla de calafateo para sellar la abertura de la pared externa alrededor de la capota de ventilación.
2. Conecte el ducto de escape a la capota de ventilación. El ducto de escape debe encajar dentro de la capota de ventilación. Asegure el ducto de escape a la capota de ventilación con una abrazadera de 4" (10,2 cm).
3. Extienda el ducto de escape a la ubicación de la secadora. Use la trayectoria más recta posible. Vea "Cálculo de la longitud del ducto de escape". Evite giros de 90°. Use abrazaderas para sellar todas las juntas. No use cinta adhesiva para conductos, tornillos ni otros dispositivos de fijación que se extiendan dentro del ducto de escape, para fijar el mismo.

Instalación de las patas niveladoras

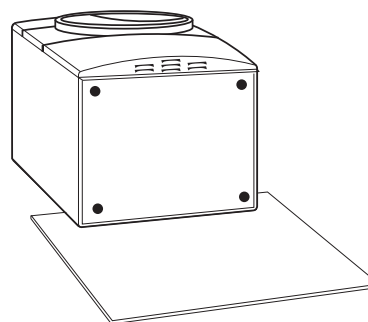
⚠ ADVERTENCIA

Peligro de Peso Excesivo

Use dos o más personas para mover e instalar la secadora.

No seguir esta instrucción puede ocasionar una lesión en la espalda u otro tipo de lesiones.

1. Para proteger el piso, use un pedazo grande y plano de cartón del empaque de la secadora. Coloque el cartón debajo del borde posterior de la secadora. Vea la ilustración.
2. Sujete con firmeza el cuerpo de la secadora (no el panel de la consola). Coloque la secadora cuidadosamente sobre el cartón.



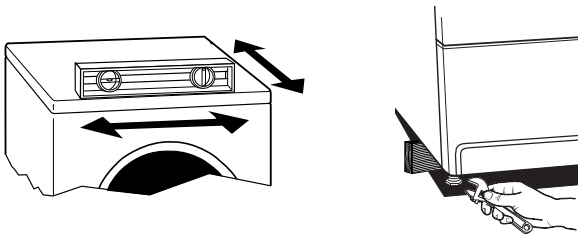
3. Examine las patas niveladoras. Localice la marca en forma de diamante.



4. Atornille con la mano las patas en cada orificio de las patas. Use una llave de tuercas para terminar de atornillar las patas hasta que la marca en forma de diamante no quede visible.
5. Coloque un esquinale de cartón debajo de cada una de las 2 esquinas posteriores de la secadora. Ponga la secadora en pie. Deslícela sobre los esquinales hasta que esté cerca de su ubicación final. Deje suficiente espacio para conectar el ducto de escape.
6. Una vez que la conexión esté lista y la secadora se encuentre en su ubicación final, quite los esquinales y el cartón.

Nivelación de la secadora

Revise la nivelación de la secadora. Verifique primero de lado a lado y luego del frente hacia atrás.



Si la secadora no está nivelada, apuntale la secadora, usando un bloque de madera. Use una llave de tuercas para regular las patas hacia arriba o hacia abajo y verifique nuevamente si la secadora está nivelada.

NOTA: Quizás sea necesario nivelar la secadora nuevamente después de trasladarla a su ubicación final.

Conexión del ducto de escape

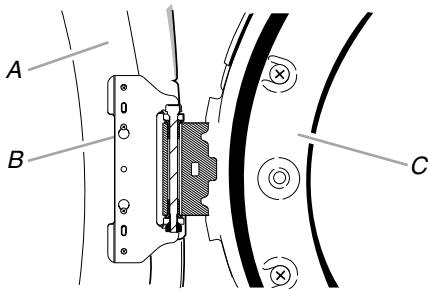
1. Usando una abrazadera de 4" (10,2 cm), conecte el ducto de escape a la salida de aire de la secadora. Si se conecta a un ducto de escape existente, asegúrese de que el mismo esté limpio. El ducto de escape de la secadora debe encajar sobre la salida de aire de la secadora y dentro de la capota de ventilación. Cerciérese de que el ducto de escape esté asegurado a la capota de ventilación con una abrazadera de 4" (10,2 cm).
2. Mueva la secadora a su posición final. No aplaste ni retuerza el ducto de escape. Asegúrese de que la secadora esté nivelada.
3. (En modelos a gas) Asegúrese de que no hayan torceduras en la línea de gas flexible.

Cómo invertir el cierre de la puerta

Usted puede invertir el cierre de la puerta de la abertura a la derecha a la abertura a la izquierda, si lo desea.

Cómo quitar la puerta

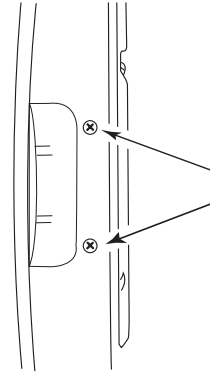
1. Abra la puerta de la secadora. Quite los 4 tornillos que sostienen la bisagra de la puerta sobre el panel frontal de la secadora. Afloje el tornillo que tiene la abertura superior de la llave por último (el segundo de la parte superior), pero no lo quite.



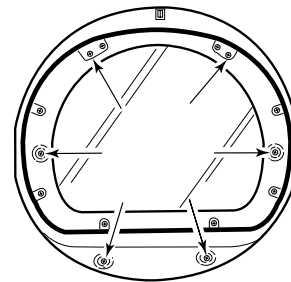
A. Secadora
B. No lo quite
C. Puerta de la secadora

2. Levante y jale la puerta hacia adelante de manera que el ojo de la cerradura despeje la cabeza del tornillo. Quite la puerta.

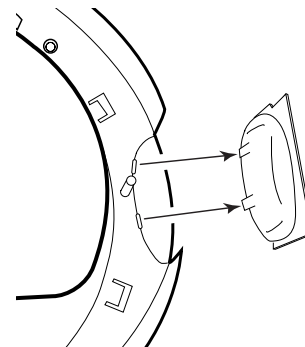
3. Coloque la puerta de la secadora sobre una superficie plana y protegida con el ensamblaje interior de la puerta mirando hacia arriba. Quite el último tornillo del paso 1. Quite los 2 tornillos que sujetan la abrazadera a la puerta.



4. Quite los 6 tornillos para liberar el ensamblaje exterior de la puerta del ensamblaje interior de la puerta (vea la ilustración). Es importante que quite solamente los 6 tornillos indicados.

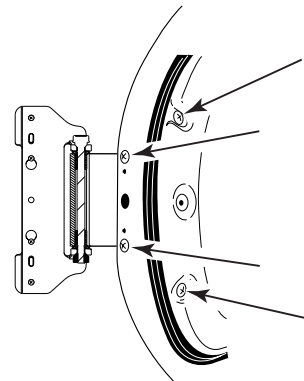


5. Levante el ensamblaje interior de la puerta y sáquelo del ensamblaje exterior de la puerta. Desenganche la manija del ensamblaje exterior de la puerta, muévalo hacia el otro lado y engánchelo. Coloque a un lado el ensamblaje exterior de la puerta.

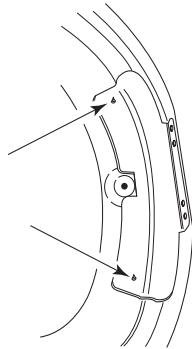


Cómo invertir la bisagra y el soporte de la bisagra

1. Coloque la puerta interior sobre la superficie de trabajo con la cabeza del tornillo mirando hacia arriba.
2. Quite los 4 tornillos que sujetan la bisagra a la puerta.



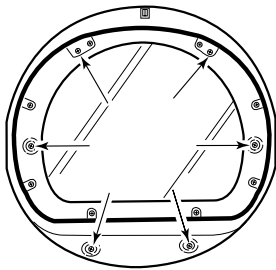
3. Quite los 2 tornillos que sujetan el soporte de la agarradera a la puerta.



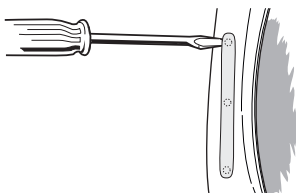
4. Mueva la bisagra hacia el otro lado y vuelva a sujetarla con los 4 tornillos que quitó en el paso 2.
5. Mueva el soporte de la agarradera hacia el otro lado y vuelva a sujetarlo con los 2 tornillos que quitó en el paso 3.
6. Deje a un lado el ensamblaje interior de la puerta.

Cómo volver a instalar la puerta

1. Fíjese si hay huellas digitales en el vidrio. Límpielas si es necesario.
2. Coloque el ensamblaje interior de la puerta dentro del ensamblaje exterior de la puerta. Alinee la bisagra con la abertura lateral. Para que encaje correctamente, el borde del ensamblaje interior de la puerta está completamente dentro del borde del ensamblaje exterior de la puerta.
3. Vuelva a colocar los ensamblajes interior y exterior de la puerta con los 6 tornillos.

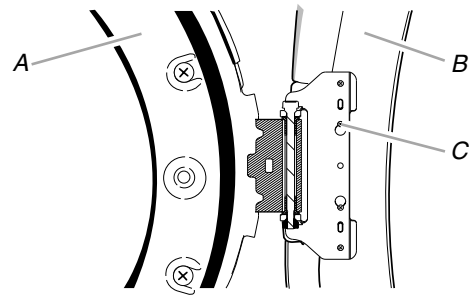


4. Vuelva a colocar los 2 tornillos para la manija del ensamblaje de la puerta.
5. Use un pequeño destornillador de hoja plana para quitar los tapones de los orificios en la abertura de la puerta. Deslice la cabeza del destornillador debajo de la tapa de cada tapón, siendo cuidadoso de no rayar la superficie de la secadora. Levántela. Repita el proceso en el medio y en la parte inferior. Quite la cinta de tapón en la abertura de la puerta e insértela en el lado opuesto



6. Inserte un tornillo en la segunda abertura de la parte superior de la abertura de la bisagra y apriete parcialmente. Cuelgue la puerta colocando el ojo de la cerradura de la bisagra superior sobre la segunda cabeza de tornillo y apriete el tornillo.

Colocando primero este tornillo, la puerta permanecerá en su lugar mientras usted inserta y aprieta los 4 tornillos restantes.



A. Puerta de la secadora
B. Secadora
C. Inserte primero este tornillo

7. Cierre la puerta y fíjese que se cierre con seguridad.

Complete la instalación

1. Revise para cerciorarse de que todas las piezas estén instaladas. Si hay alguna pieza extra, vuelva a revisar todos los pasos para ver cuál se omitió.
2. Verifique si tiene todas las herramientas.
3. Deshágase de todos los materiales de embalaje o recícelos.
4. Revise la localización final de la secadora. Asegúrese de que el ducto de escape no esté aplastado o retorcido.
5. Verifique si la secadora está nivelada. Vea "Nivelación de la secadora".
6. Enchufe en un contacto con conexión a tierra. Conecte el suministro de energía.
7. Quite la película protectora azul que está en la consola y cualquier cinta adhesiva que haya quedado en la secadora.
8. Lea "Uso de la secadora".
9. Limpie el interior del tambor de la secadora meticulosamente con un paño húmedo para quitar residuos de polvo.
10. Fije la secadora en un ciclo completo de calor (no el ciclo de aire) y póngala a funcionar durante 20 minutos.

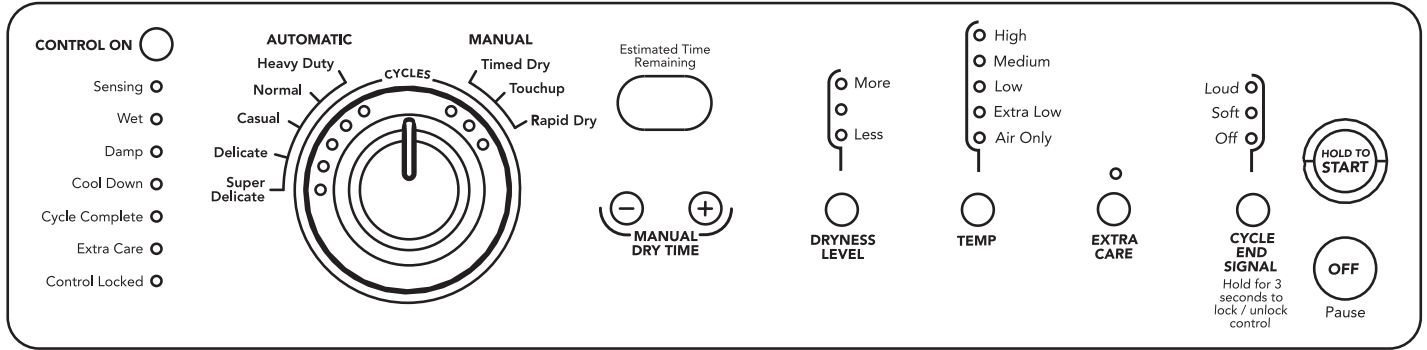
Si la secadora no funciona, revise lo siguiente:

- Que los controles estén fijados en una posición de funcionamiento u "On" (encendido).
 - Que se ha presionado con firmeza el botón de puesta en marcha.
 - Que la secadora esté conectada en un contacto con conexión a tierra.
 - Que el suministro eléctrico esté conectado.
 - Que el fusible de la casa esté intacto y ajustado, o que no se haya disparado el cortacircuitos.
 - Que la puerta de la secadora esté cerrada.
11. Después de que la secadora haya estado funcionando durante 5 minutos, abra la puerta y fíjese si está caliente.
- Si no está caliente, apague la secadora y revise lo siguiente:**

- Posiblemente hayan 2 fusibles o disyuntores para la secadora. Revise para asegurarse de que ambos fusibles estén intactos y ajustados, o que ambos disyuntores no se hayan disparado. Si después de esto todavía no calienta, póngase en contacto con un técnico competente.

NOTA: Cuando caliente la secadora por primera vez quizás sienta un olor a quemado. Este olor es común cuando se usa por primera vez el elemento de calefacción. El olor desaparecerá.

USO DE LA SECADORA



Puesta en marcha de la secadora

⚠ ADVERTENCIA



Peligro de Explosión

Mantenga los materiales y vapores inflamables, tales como la gasolina, alejados de la secadora.

No seque ningún artículo que haya tenido alguna vez cualquier sustancia inflamable (aún después de lavarlo).

No seguir estas instrucciones puede ocasionar la muerte, explosión o incendio.

⚠ ADVERTENCIA



Peligro de Incendio

Ninguna lavadora puede eliminar completamente el aceite.

No seque ningún artículo que haya tenido alguna vez cualquier tipo de aceite (incluyendo los aceites de cocina).

Los artículos que contengan espuma, hule o plástico deben secarse en un tendedero o usando un Ciclo de Aire.

No seguir estas instrucciones puede ocasionar la muerte o incendio.

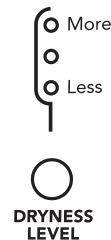
ADVERTENCIA: A fin de reducir el riesgo de incendio, de choque eléctrico o de daños personales, lea las INSTRUCCIONES IMPORTANTES DE SEGURIDAD antes de operar este aparato.

La siguiente es una guía para poner su secadora en marcha. Por favor consulte las secciones específicas de este manual para obtener información más detallada.

1. Limpie el filtro de pelusa antes o después de cada ciclo. Vea "Limpieza del filtro de pelusa".
2. Coloque la ropa en la secadora y cierre la puerta. Vea "Cómo cargar".
3. Gire el selector para seleccionar un ciclo Manual o Automático, luego presione el botón de control encendido (CONTROL ON). Aparecerán en la pantalla los ajustes y el tiempo de secado prefijados para el ciclo elegido.

Para usar un ciclo Automático

- Dirija el selector hacia un ciclo Automático.
- Seleccione el nivel de sequedad (DRYNESS LEVEL) para ajustar la sequedad de la carga según desee. El tiempo que aparece en la pantalla es la duración estimada del ciclo basada en el nivel de sequedad seleccionado. A medida que el ciclo funciona, el control detecta la sequedad de la carga y ajusta el tiempo automáticamente para el nivel de sequedad seleccionado.



NOTA: No puede ajustarse el tiempo para los ciclos automáticos. Al presionar los botones (- o +) de Tiempo de secado manual, se escuchará un sonido triple de pitido que indica que no puede cambiarse el tiempo.

- Presione el botón de la característica Cuidado adicional (EXTRA CARE) si desea esa opción.
- Presione el botón de la señal de fin de ciclo (CYCLE END SIGNAL) para fijar el volumen de la señal en el nivel deseado.
- Presione (y sostenga) el botón de Sostenga para poner en marcha (HOLD TO START) (por más o menos 1 segundo) hasta que comience a funcionar la secadora.

Una vez que haya comenzado un ciclo Automático, podrán ajustarse la característica Cuidado adicional y la señal de Fin de ciclo. Presione dos veces el botón de Apagado (OFF) para detener la secadora y despejar los ajustes, lo que le permitirá seleccionar otro ciclo y nivel de sequedad.

Para usar un ciclo Manual

- Gire el selector para seleccionar un ciclo Manual.

Presione los botones (- o +) de Tiempo de secado manual (MANUAL DRY TIME) hasta que el tiempo de secado deseado aparezca en la pantalla. Toque - o + y el tiempo cambiará en intervalos de 1 minuto. Presione y sostenga - o + y el tiempo cambiará en intervalos de 5 minutos. El tiempo que aparece inicialmente en la pantalla es el tiempo real de secado.



NOTA: La característica de Tiempo de secado manual (Manual Dry Time) puede ser usada sólo con ciclos manuales.

- Presione Temperatura (TEMP) hasta que la temperatura deseada se ilumine.

NOTA: El presionar el botón de nivel de sequedad causará un sonido triple de pitido que indica que no puede seleccionarse esa opción. Tampoco se indicará el nivel de sequedad.

- Presione el botón de la característica Cuidado adicional (EXTRA CARE) si desea esa opción.
- Presione el botón de la señal de fin de ciclo (CYCLE END SIGNAL) para fijar el volumen de la señal en el nivel deseado.
- Presione (y sostenga) el botón de Sostenga para poner en marcha (HOLD TO START) (más o menos por 1 segundo) hasta que comience a funcionar la secadora.

Mientras esté funcionando un ciclo Manual, podrá cambiar los ajustes de tiempo, temperatura, la característica de Cuidado adicional y la señal de fin de ciclo. Presione dos veces el botón de Apagado (OFF) para detener la secadora y despejar los ajustes, lo que le permitirá seleccionar otro ciclo.

Detención de la marcha de la secadora

Para detener su secadora en cualquier momento

Presione OFF dos veces o abra la puerta.

Pausa o reanudación de la marcha

Para hacer una pausa en cualquier momento

Abra la puerta u oprima OFF una vez.

Para reanudar la marcha de la secadora

Cierre la puerta y presione (y sostenga) el botón de HOLD TO START hasta que comience a funcionar la secadora.

NOTA: El secado continuará desde la etapa en que se interrumpió el ciclo si usted cierra la puerta y presiona puesta en marcha dentro de los 5 minutos siguientes. Si se interrumpe el ciclo durante más de 5 minutos, la secadora se apagará. Seleccione nuevos ajustes de ciclo antes de volver a poner la secadora en marcha.

Control bloqueado

Esta característica le permite bloquear los ajustes para evitar el uso accidental de la secadora. Asimismo puede usar la característica Control bloqueado (Control Locked) para evitar cambios accidentales de ciclo o de opción durante el funcionamiento de la secadora.

Para activar la característica de control bloqueado cuando esté funcionando la secadora:

Presione y sostenga el botón CYCLE END SIGNAL por 3 segundos. El control está bloqueado cuando se escucha un solo pitido y está encendida la luz de control bloqueado.

- Cuando esté apagada la secadora, no será necesario presionar el botón de control encendido antes de activar la característica de control bloqueado.

Para desbloquear:

Presione y sostenga el botón CYCLE END SIGNAL por tres segundos para apagar esta característica.

NOTA: Cuando esté funcionando la secadora y esté encendido Control bloqueado, podrá detenerse la secadora presionando el botón de Apagado, pero no puede volver a comenzar hasta que el control esté desbloqueado.

Cómo cargar

El cargar adecuadamente su secadora puede reducir sus gastos de consumo de energía y prolongar la vida de sus prendas de vestir.

Sugerencias para cargar

- Cargue la secadora según la cantidad de espacio que ocupan los artículos, no por su peso.
- No sobrecargue la secadora. Esto da lugar a un secado desigual y a la formación de arrugas.

Secadoras de capacidad superior "plus"

Ropa de trabajo pesado

| | |
|---------------------------|-------------------------|
| 4 pantalones de mezclilla | 2 pantalones de deporte |
| 4 pantalones de trabajo | 2 camisetas de deporte |
| 4 camisas de trabajo | |

Toallas

| | |
|--------------------|---------------------|
| 10 toallas de baño | 14 toallas faciales |
| 10 toallas de mano | |

Carga mixta

| | |
|-----------------------------|---------------------|
| 3 sábanas (1 de cama doble, | 9 camisetas |
| 2 de camas gemelas) | 9 pantalones cortos |
| 4 fundas | 10 pañuelos |
| 3 camisas | |
| 3 blusas | |

Sugerencias de ciclos y secado

Seleccione el ciclo y el nivel de sequedad o temperatura correctos para su carga. Si está funcionando un ciclo automático, la pantalla muestra el tiempo estimado del ciclo cuando su secadora detecta automáticamente el nivel de sequedad de su carga. Si está funcionando un ciclo manual, la pantalla muestra el número exacto de minutos restantes en el ciclo.

El enfriamiento (Cool Down) hace rotar la ropa sin calor durante los últimos minutos de todos los ciclos. El enfriamiento hace que las prendas se puedan manejar con más facilidad y reduce la formación de arrugas. La duración del enfriamiento depende del tamaño de la carga y el nivel de sequedad.

Sugerencias de secado

- Siga las instrucciones de cuidado de la etiqueta cuando estén disponibles.
- Si desea, agregue una hoja de suavizante de telas. Siga las instrucciones del paquete.
- Quite la carga de ropa de la secadora tan pronto se detenga la rotación para evitar que las prendas se arruguen. Esto es de singular importancia para las prendas de planchado permanente, tejidos de punto y fibras sintéticas.
- Evite secar la ropa de trabajo gruesa junto con telas livianas. Esto podría ocasionar un secado excesivo de las telas livianas, dando lugar a un mayor encogimiento o formación de arrugas de las mismas.

Sugerencias de ciclos

- Seque la mayoría de las cargas usando los ajustes prefijados de ciclos.
- Consulte el cuadro de Ajustes de ciclos prefijados manuales o de secado automático (en la sección "Ciclos") a fin de obtener una guía para el secado de diversas cargas de ropa.
 - La temperatura de secado y el nivel de secado automático están prefijados cuando usted elige un ciclo de secado automático. Usted puede seleccionar un nivel de sequedad distinto, según su carga de ropa, al presionar el botón de Nivel de sequedad (DRYNESS LEVEL) para seleccionar Más (MORE) o Menos (LESS).
 - Si desea regular la duración de un ciclo manual, tiene que presionar los botones de (- o +) del Tiempo de secado manual (MANUAL DRY TIME). Ajuste la temperatura de un ciclo manual presionando TEMP hasta que la temperatura deseada esté seleccionada.

NOTA: Usted no puede elegir el Nivel de sequedad con ciclos manuales.

Luces de estado

Con las luces indicadoras de secado puede vigilar el progreso de su secadora.

- Sensing ○
- Wet ○
- Damp ○
- Cool Down ○
- Cycle Complete ○
- Extra Care ○
- Control Locked ○

Detección (Sensing)

Cuando se inicie un ciclo por primera vez, se encenderá la luz de SENSING hasta que se detecte un artículo húmedo.

- En un ciclo Automático, si no se ha detectado un artículo húmedo dentro de 10 minutos, la luz de detección y la secadora se apagarán.
- En un ciclo Manual, si no se detecta un artículo húmedo después de 10 minutos, se iluminará la luz de Wet y continuará el ciclo seleccionado.

Húmedo (Wet)

La luz de WET se encenderá cuando se haya detectado un artículo húmedo en la secadora. La luz de húmedo permanecerá encendida hasta que:

- Se alcance el punto de casi seco en un ciclo Automático.
- La secadora entre en el período de enfriamiento en un ciclo Manual.

Casi seco (Damp)

La luz de DAMP indica que la carga ha alcanzado el nivel de casi seco.

NOTA: La luz de Casi seco no se usa con los ciclos manuales.

Enfriamiento (Cool Down)

La luz de COOL DOWN se ilumina durante la porción de enfriamiento del ciclo. La ropa se enfría para que sea más fácil manipularla.

Ciclo completo (Cycle Complete)

La luz de CYCLE COMPLETE se ilumina cuando se ha terminado un ciclo. Si se ha seleccionado la característica Extra Care, la luz indicadora del Cuidado adicional también estará encendida.

La luz indicadora de ciclo completo se apagará una hora después de que termine el ciclo de secado (incluido el ciclo Extra Care de 2 horas) cuando se presione apagado (Off) o cuando se abra la puerta.

Característica Cuidado adicional (Extra Care)

La luz de la característica EXTRA CARE se enciende cuando se selecciona esta opción. Este indicador permanece encendido con la luz de ciclo completo.

Control bloqueado (Control Locked)

La luz de CONTROL LOCKED se enciende cuando se activa esta opción.

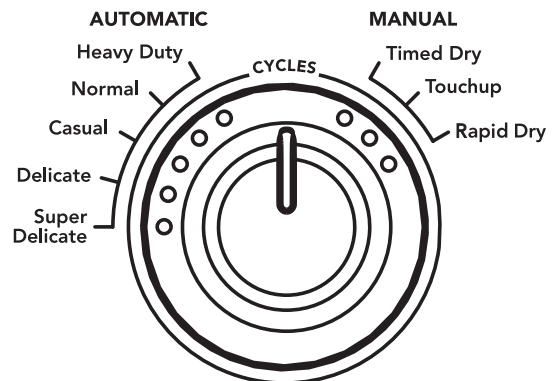
Luces indicadoras

Otras luces indicadoras en el panel de control muestran los ajustes seleccionados de Ciclo, Temperatura y Fin de ciclo.

La pantalla de tiempo indicará el tiempo restante estimado o real en un ciclo.

Ciclos

Seleccione el ciclo de secado de acuerdo con el tipo de carga que va a secar. (Vea los cuadros de Ajustes de ciclos prefijados manuales o de secado automático.)



Perilla de control de ciclos

Ciclos automáticos

Los ciclos automáticos le permiten regular el ciclo según la carga que va a secar. Vea el siguiente cuadro de Ajustes de ciclos prefijados automáticos. Cada ciclo seca determinadas telas a la temperatura recomendada. Un sensor detecta la humedad de la carga y regula automáticamente el tiempo de secado para lograr un secado óptimo.

Secado intenso (Heavy Duty)

Use este ciclo para obtener calor para artículos pesados como toallas de algodón o cubrecamas.

Normal

Use este ciclo para obtener calor medio alto para secar telas resistentes como ropa de trabajo.

Informal (Casual)

Use este ciclo para obtener calor medio para secar telas que no necesitan planchado como camisas deportivas, ropa de oficina informal y mezclas de planchado permanente.

Ropa delicada (Delicate)

Use este ciclo para obtener calor bajo para telas sintéticas, de tejido de punto lavables y de acabado inarrugable.

Super delicado (Super Delicate)

Use este ciclo para obtener calor muy bajo para secar cuidadosamente artículos como lencería, ropa de ejercicio o cortinas muy finas.

Ajustes de ciclos prefijados automáticos

| Ciclos automáticos Tipo de carga | Temperatura | Tiempo* (Minutos) |
|---|-------------|----------------------|
| Secado INTENSO (HEAVY DUTY) Ropa pesada, toallas | Alta | 40 |
| NORMAL Pantalones de pana, ropa de trabajo | Mediana | 34 |
| Informal (CASUAL) Fibras de planchado permanente, fibras sintéticas | Mediana | 36 |
| Ropa delicada (DELICATE) Lencería, blusas, artículos lavables de lana | Baja | 28 |
| Super delicado (SUPER DELICATE) Ropa de ejercicio, cortinas muy finas, encaje | Muy baja | 22 |

*Tiempo estimado con el ajuste de Nivel de secado (Dryness Level) (mediano).

Ciclos manuales

Use los ciclos manuales para seleccionar una cantidad específica de tiempo de secado y temperatura de secado. Al seleccionar un ciclo manual, la pantalla de Tiempo estimado restante (ESTIMATED TIME REMAINING) muestra el tiempo real restante del ciclo. Usted puede cambiar el tiempo real del ciclo al presionar los botones de (- o +) del tiempo de secado manual.

Secado programado (Timed Dry)

Use este ciclo para terminar el secado de artículos que todavía están húmedos después de un ciclo Automático. El secado programado es también útil para secar artículos pesados y voluminosos como cubrecamas y ropa de trabajo.

Retoque (Touchup)

Use este ciclo para alisar las arrugas de ropa que ha estado empacada en una valija o artículos que se han arrugado por haber permanecido mucho tiempo en la secadora.

Secado rápido (Rapid Dry)

Use este ciclo para el secado de cargas pequeñas o cargas que necesitan un tiempo de secado corto.

Ajustes de ciclos prefijados manuales

| Ciclos manuales Tipo de carga | Temperatura | Tiempo por omisión (Minutos) |
|---|-------------|---------------------------------|
| Secado programado (TIMED DRY) Ropa pesada, ropa voluminosa, cubrecamas, ropa de trabajo | Alta | 40 |
| Retoque (TOUCHUP) Elimina las arrugas | Mediana | 20 |
| Secado rápido (RAPID DRY) Cargas pequeñas | Alta | 27 |

Características adicionales

Característica de Cuidado adicional (Extra Care)

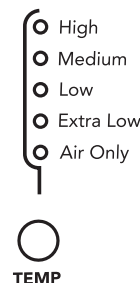
Si no es posible retirar la carga de la secadora tan pronto como ésta se detenga, se pueden formar arrugas. La característica de cuidado adicional da vueltas, reacomoda y esponja periódicamente la ropa para ayudar a reducir las arrugas.

- Presione la característica de Extra Care para obtener hasta un máximo de 120 minutos de rotación periódica sin calor al final de un ciclo.
- Deténgala en cualquier momento presionando la característica Extra Care o abriendo la puerta de la secadora.
- Para el ciclo Informal, la característica de Cuidado adicional está prefijada en Encendido ("On"). Los otros ciclos automáticos retendrán el ajuste de la característica de Cuidado adicional. (Por ejemplo, si usted selecciona la característica de Cuidado adicional en el ciclo Normal, la característica de Cuidado adicional estará encendida la próxima vez que seleccione el ciclo Normal.)

NOTA: Si usted no selecciona la característica de Extra Care, la secadora se detiene después del período de enfriamiento.

Temperatura

Los ajustes de temperatura se usan con los ciclos manuales. Presione Temperatura (TEMP) hasta que el ajuste deseado de temperatura se ilumine. Los ajustes de temperatura no se pueden usar con los ciclos automáticos.



Sólo aire (Air Only)

Use el ciclo de Sólo aire para artículos que requieren secado sin calor, tales como artículos de goma, plástico y tejidos sensibles al calor. Este cuadro muestra ejemplos de artículos que pueden secarse usando el ciclo de sólo aire.

| Tipo de carga | Tiempo* (Minutos) |
|--|-------------------|
| Goma espuma - almohadas, brasieres acolchados, juguetes de peluche | 20 - 30 |
| Plástico - cortinas de ducha, manteles | 20 - 30 |
| Alfombras con reverso de goma | 40 - 50 |
| Olefina, polipropileno, nailon diáfano | 10 - 20 |

*Vuelva a fijar el tiempo para terminar el secado, si es necesario.

Cuando use Sólo aire

- Revise para ver si las cubiertas están debidamente cosidas.
- Sacuda y ahueque las almohadas a mano periódicamente durante el ciclo.
- Seque el artículo por completo. Las almohadas de goma espuma tardan en secar.

NOTA: Los ciclos automáticos no están disponibles cuando se esté usando el ajuste de Sólo aire.

Alarma de Fin de Ciclo (Cycle End Signal)

La señal de fin de ciclo emite un sonido audible una vez que el ciclo de secado ha terminado. El quitar la ropa con prontitud al final del ciclo reduce la formación de arrugas.



Presione y suelte CYCLE END SIGNAL para regular el nivel de sonido o para apagar la señal.

NOTA: Siempre que se seleccione la característica de Extra Care y la señal de fin de ciclo esté encendida, se escuchará un sonido audible cada 5 minutos hasta que se saque la ropa, o se termine la acción de Cuidado adicional.

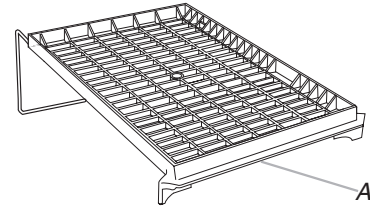
Estante de secado

El estante de secado es útil para secar a máquina artículos que usted no quiere secar necesariamente con rotación o que colgaría en el tendedero (por ejemplo, suéteres).

Para usar el estante de secado

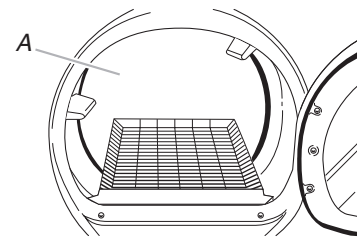
No quite el filtro de pelusa.

1. Abra la puerta de la secadora.



A. Borde anterior

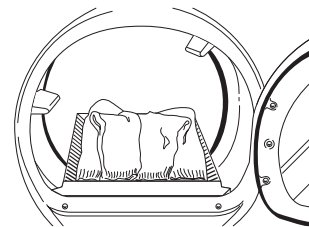
2. Coloque el estante de secado dentro del tambor de la secadora, colocando el alambre posterior sobre la saliente del panel posterior del interior de la secadora. Empuje hacia abajo sobre el borde anterior del estante de secado para asegurarlo sobre el filtro de pelusa.



A. Panel posterior de la secadora

3. Ponga los artículos mojados sobre el estante de secado. Deje espacio entre los artículos para que el aire pueda llegar a todas las superficies.

NOTA: No permita que los artículos se cuelguen del borde del estante.



4. Cierre la puerta.
5. Seleccione el ciclo de secado programado y la temperatura, o un ciclo de aire (vea el cuadro a continuación). Los artículos que contengan espuma, hule o plástico deben secarse en un tendedero o usando el ajuste de temperatura de sólo aire (Air Only).
6. Usted debe seleccionar un tiempo, presionando los botones de (- o +) del Tiempo de secado manual (MANUAL DRY TIME). Vuelva a fijar el tiempo para terminar el secado, si es necesario. Consulte el cuadro a continuación.
7. Presione (y sostenga) el botón de Sostenga para poner en marcha (HOLD TO START) (por aproximadamente 1 segundo).

NOTA: Usted debe quitar el estante para un secado normal. No use ciclos automáticos con el estante de secado.

Este cuadro muestra ejemplos de artículos que pueden secarse en el estante y el tiempo sugerido de secado, ciclo y el ajuste de temperatura. El tiempo real de secado dependerá de la cantidad de humedad en la carga.

| Secado con estante | Ajuste | Temp. | Tiempo* |
|--|-------------------|-----------------------|---------|
| Suéteres de lana Darles la forma original y colocarlos extendidos sobre el estante de secado | Secado programado | Baja | 60 |
| Juguetes de peluche o almohadas Rellenos de fibras de algodón o poliéster | Secado programado | Baja | 60 |
| Juguetes de peluche o almohadas Rellenos con hule espuma | Secado programado | Sólo aire (sin calor) | 90 |
| Zapatos tenis o zapatos de lona | Secado programado | Sólo aire (sin calor) | 90 |

*(Minutos) Vuelva a fijar el ciclo para terminar el secado, si es necesario.

CUIDADO DE LA SECADORA

Limpieza del lugar donde está la secadora

Mantenga el área donde está la secadora despejada y libre de artículos que pudieran obstruir el flujo de aire para la combustión y la ventilación.

⚠ ADVERTENCIA



Peligro de Explosión

Mantenga los materiales y vapores inflamables, como la gasolina, lejos de la secadora.

Coloque la secadora a un mínimo de 46 cm sobre el piso para la instalación en un garaje.

No seguir estas instrucciones puede ocasionar la muerte, explosión o incendio.

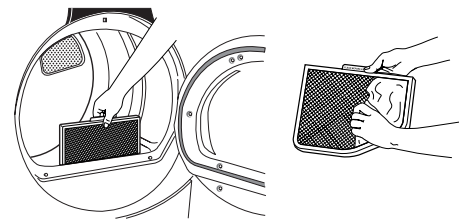
Limpieza del filtro de pelusa

Limpieza de cada carga

El filtro de pelusa está localizado en la abertura de la puerta de la secadora. Límpielo antes o después del secado de cada carga. Un filtro obstruido con pelusa puede aumentar el tiempo de secado.

Para limpiar

1. Jale el filtro de pelusa en sentido recto hacia arriba. Quite la pelusa del filtro enrollándola con sus dedos. No enjuague ni lave el filtro para quitar la pelusa. La pelusa mojada es difícil de quitar.



2. Empuje el filtro de pelusa firmemente de vuelta en su lugar.

IMPORTANTE:

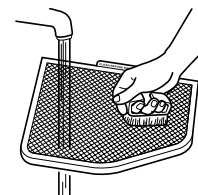
- No ponga a funcionar la secadora con un filtro de pelusa flojo, dañado, obstruido o sin él. El hacerlo puede causar un sobrecalentamiento y dañar tanto la secadora como la ropa.
- Algunas toallas hechas de fibras sintéticas y fibras naturales (mezclas de poliéster y algodón) pueden soltar más pelusa que otras toallas, dando lugar a que el filtro de pelusa de su secadora se llene con más rapidez. Asegúrese de quitar la pelusa del filtro de pelusa antes y después de secar toallas nuevas.
- Si al quitar la pelusa del filtro, ésta cae en la secadora, revise la capota de ventilación y quite la pelusa. Vea "Requisitos de ventilación".

Limpieza según la necesidad

Los residuos de detergente de lavandería y suavizante de tejidos pueden acumularse en el filtro de pelusa. Esta acumulación puede ocasionar tiempos de secado más prolongados para su ropa, o hacer que la secadora se detenga antes que su carga esté completamente seca. Si la pelusa se cae del filtro cuando éste está en la secadora, es probable que el filtro esté obstruido. Limpie el filtro de pelusa con un cepillo de nailon cada 6 meses o con más frecuencia si se obstruye debido a la acumulación de residuos.

Para lavar

1. Quite la pelusa del filtro enrollándola con sus dedos.
2. Moje ambos lados del filtro de pelusa con agua caliente.
3. Moje un cepillo de nailon con agua caliente y detergente líquido. Refriegue el filtro de pelusa con el cepillo para quitar la acumulación de residuos.



4. Enjuague el filtro con agua caliente.
5. Seque meticulosamente el filtro de pelusa con una toalla limpia. Vuelva a colocar el filtro en la secadora.

Limpieza del interior de la secadora

Para limpiar el tambor de la secadora

1. Haga una pasta con un detergente de lavandería en polvo y agua tibia.
2. Aplique la pasta a un paño suave.
O
Aplique al área manchada un producto de limpieza doméstico líquido, no inflamable y frótelo con un paño suave hasta quitar todo el exceso de tinte y manchas.
3. Limpie el tambor meticulosamente con un paño húmedo.
4. Ponga a funcionar la secadora con una carga de ropa limpia o toallas para secar el tambor.

NOTA: Las prendas que contienen tintes desteñibles, tales como los pantalones de mezclilla o artículos de algodón de colores vivos, pueden teñir el interior de la secadora. Estas manchas no dañan su secadora y no mancharán las cargas de ropa futuras. Seque al revés los artículos que destiñen para evitar la transferencia de tintes.

Eliminación de pelusa acumulada

En el interior del gabinete de la secadora:

Según el uso de la secadora, se debe quitar la pelusa cada 2 años, o con más frecuencia. La limpieza deberá efectuarla una persona calificada.

En el ducto de escape:

La pelusa debe ser quitada nuevamente cada 2 años, o con más frecuencia, de acuerdo con el uso de la secadora.

Cuidado para las vacaciones y la mudanza

Cuidado para las vacaciones

Ponga la secadora a funcionar sólo cuando esté en casa. Si va a salir de vacaciones o no va a usar su secadora por un tiempo prolongado, usted deberá:

1. Desenchufar la secadora o desconectar el suministro de energía.
2. Limpiar el filtro de pelusa. Vea "Limpieza del filtro de pelusa".

Cuidado para la mudanza

⚠ ADVERTENCIA



Peligro de Choque Eléctrico

Desconecte el suministro de energía antes de darle mantenimiento.

Vuelva a colocar todos los componentes y paneles antes de hacerlo funcionar.

No seguir estas instrucciones puede ocasionar la muerte o choque eléctrico.

1. Desenchufe la secadora o desconecte el suministro de energía. Desconecte el cable si la secadora está conectada por cableado directo.
 2. Asegúrese de que las patas niveladoras estén fijadas en la base de la secadora.
 3. Use cinta adhesiva para asegurar la puerta de la secadora.
-

Cambio de la luz del tambor

La luz de la secadora se enciende automáticamente en el interior del tambor de la secadora cuando usted abre la puerta.

Para cambiar la luz del tambor

1. Desenchufe la secadora o desconecte el suministro de energía.
2. Abra la puerta de la secadora. Localice la cubierta del foco de luz en la pared posterior de la secadora. Quite el tornillo ubicado en la esquina inferior derecha de la cubierta. Quite la cubierta.
3. Gire el foco en sentido contrario a las manecillas del reloj. Reemplácelo únicamente con un foco para electrodomésticos de 10 W. Vuelva a colocar la cubierta en su lugar y asegúrela con un tornillo.
4. Enchufe la secadora o reconecte el suministro de energía.

SOLUCIÓN DE PROBLEMAS

Pruebe primero las soluciones aquí sugeridas y posiblemente se evite el costo de una visita de servicio técnico...

La secadora muestra en la pantalla mensajes codificados

- **“PF” (corte de energía), revise lo siguiente:**
¿Se ha interrumpido el ciclo de secado por un corte de energía?
Presione (y sostenga) el botón de Sostenga para poner en marcha (HOLD TO START) para reanudar la marcha de la secadora.
- **“E” Códigos de servicio técnico variables (E1, E2, E3):**
Solicite servicio técnico.

La ropa no se está secando bien

- **Revise lo siguiente:**
¿Está obstruido el filtro de pelusa?
¿Está obstruido con pelusa el ducto de escape o la capota de ventilación, restringiendo el flujo del aire? Ponga a funcionar la secadora entre 5 a 10 minutos. Ponga su mano debajo de la capota de ventilación para verificar el movimiento del aire. Si no siente el movimiento del aire, limpie el sistema de ventilación de pelusas o reemplace el ducto de escape con uno de metal pesado o de metal flexible. Consulte las “Instrucciones de instalación”.
¿Está el ducto de escape aplastado o retorcido?
Reemplácelo con uno de metal pesado o de metal flexible. Consulte las “Instrucciones de instalación”.
¿Se ha quemado el fusible o se ha disparado el cortacircuitos? Las secadoras eléctricas usan 2 fusibles domésticos o interruptores. El tambor puede estar rotando pero la secadora no está calentando.
¿Se ha seleccionado un ciclo de secado al aire? Seleccione el ciclo adecuado para los tipos de prendas que está secando. Vea “Ciclos”.
¿Está terminando más rápido el ciclo automático? Es posible que la carga no esté haciendo contacto con las bandas del sensor electrónico. Nivele la secadora.
¿Están las hojas de suavizante de tejidos bloqueando la rejilla? Use únicamente una hoja de suavizante de tejidos y úsela sólo una vez.
- **¿Está la secadora ubicada en una habitación cuya temperatura es inferior a 45°F (7°C)?**
Para el funcionamiento adecuado de los ciclos de la secadora se necesitan temperaturas superiores a 45°F (7°C).
- **¿Se ha usado agua fría para el enjuague? ¿Estaba la carga muy mojada?**
Espere tiempos de secado más prolongados para artículos enjuagados en agua fría y para aquellos que retienen humedad (fibras de algodón).
- **¿Es la carga muy grande y pesada para secar con rapidez?**
Separe la carga para que rote con libertad.

La secadora no funciona

- **Revise lo siguiente:**
¿Está enchufado el cable eléctrico?
¿Se ha quemado un fusible o se ha disparado el cortacircuitos?
¿Se ha usado un fusible común? Use un fusible retardador.
¿Se ha cerrado con firmeza la puerta de la secadora? Si no es así, la pantalla de tiempo se encenderá y se apagará.
¿Ha presionado con firmeza y sostenido Sostenga para poner en marcha (HOLD TO START) por lo menos 1 segundo?
¿Se ha seleccionado un ciclo?

Sonidos raros

- **¿Ha estado la secadora sin uso por una temporada?**
Si no se ha usado la secadora por una temporada, es posible que se escuche un sonido fuerte durante los primeros minutos de funcionamiento.

Pelusa en la ropa

- **¿Está obstruido el filtro de pelusa?**
Limpie el filtro de pelusa. Verifique si hay movimiento de aire.
- **¿Se ha separado debidamente la carga?**
Separe la ropa que suelta pelusa (toallas, felpilla) de la ropa que atrae pelusa (pana, fibra sintética). También sepárela por color.
- **¿Está la carga demasiado grande o demasiado pesada?**
Seque cargas más pequeñas de modo que la pelusa pueda ser capturada por el filtro de pelusa.
- **¿Se ha secado en exceso la carga?**
Use los ajustes correctos para el tipo de carga. Vea “Ciclos”. El secar en exceso puede ocasionar la electricidad estática que atrae pelusa.
- **¿Se ha dejado papel o tisú en los bolsillos?**
- **¿Se está confundiendo las motitas con la pelusa?**
Las motitas (pelusas en la superficie de la ropa) son ocasionadas por el uso y el lavado normal de la ropa.

Manchas en la carga o cambio de color

- **¿Se ha empleado adecuadamente el suavizante de tejidos?**
Agregue hojas de suavizante de tejidos al comienzo del ciclo cuando la carga está fría. No agregue hojas de suavizante de tejidos a una carga caliente.
- **¿Estaban sucios los artículos en el momento en que se colocaron en la secadora?**
Los artículos deben estar limpios antes de secarlos.
- **¿Se han separado debidamente los artículos?**
Separe la ropa de colores claros de la de colores oscuros. Separe los artículos de colores sólidos de los que destiñen.

Ropa encogida

- **¿Se ha sobrecargado la secadora?**
Seque cargas más pequeñas que puedan rotar con libertad.
- **¿Se ha secado en exceso la carga?**
Verifique la etiqueta de cuidado del fabricante. Fije el ajuste de la secadora de acuerdo al tipo de carga. Vea "Ciclos".

Ropa arrugada

- **¿Se ha sacado la ropa de la secadora al final del ciclo?**
- **¿Se ha sobrecargado la secadora?**
Seque cargas más pequeñas que puedan rotar con libertad.
- **¿Se ha secado en exceso la carga?**
Verifique la etiqueta de cuidado del fabricante. Fije el ajuste de la secadora de acuerdo al tipo de carga. Vea "Ciclos".

Olores

- **¿Ha estado pintando, tiñendo o barnizando recientemente el área donde se encuentra la secadora?**
De ser así, ventile el área. Cuando los olores o humos se hayan esfumado del área, vuelva a lavar y secar la ropa.
- **¿Se está usando la secadora por primera vez?**
El nuevo elemento calefactor eléctrico puede despedir un olor. El olor desaparecerá después del primer ciclo.

Prendas deterioradas

- **Revise lo siguiente:**
 - ¿Se han dejado abiertos los zípers, broches a presión y sujetadores con corchetes?
 - ¿Se han atado los cordones y fajas para evitar que se enreden?
 - ¿Se han observado las instrucciones de cuidado de las etiquetas?
 - ¿Se han deteriorado los artículos antes del secado?

AYUDA O SERVICIO TÉCNICO

Antes de solicitar ayuda o servicio técnico, por favor consulte la sección "Solución de Problemas". Esto le podría ahorrar el costo de una visita de servicio técnico. Si considera que aún necesita ayuda, siga las instrucciones que aparecen a continuación.

Cuando llame, tenga a mano la fecha de compra y el número completo del modelo y de la serie de su electrodoméstico. Esta información nos ayudará a atender mejor a su pedido.

Si necesita piezas de repuesto

Si necesita pedir piezas de repuesto, recomendamos que use únicamente piezas especificadas de fábrica. Estas piezas encajarán bien y funcionarán bien ya que están confeccionadas con la misma precisión empleada en la fabricación de cada electrodoméstico nuevo de KITCHENAID®.

Para encontrar piezas de repuesto especificadas de fábrica en su localidad, llame a nuestro Centro de interacción del cliente o al centro de servicio designado de su localidad.

Para ayuda o servicio técnico

Llame al Centro de interacción del cliente de KitchenAid sin costo alguno al: **1-800-422-1230**.

Nuestros consultores ofrecen asistencia con respecto a:

- Características y especificaciones de nuestra línea completa de electrodomésticos.
- Información sobre instalación.
- Procedimiento para el uso y mantenimiento.
- Venta de accesorios y piezas para reparación.
- Asistencia especializada para el consumidor (habla hispana, problemas de audición, visión limitada, etc.).
- Recomendaciones con distribuidores locales, compañías que dan servicio y distribuidores de partes para reparación. Los técnicos de servicio designados por KitchenAid están entrenados para cumplir con la garantía del producto y ofrecer servicio una vez que la garantía termine, en cualquier lugar de los Estados Unidos.

Para localizar a una compañía de servicio designada por KitchenAid en su área, también puede consultar la sección amarilla de su guía telefónica.

Para obtener más asistencia

Si necesita asistencia adicional, puede escribir a KitchenAid con sus preguntas o dudas a:

KitchenAid Brand Home Appliances
Customer Interaction Center
553 Benson Road
Benton Harbor, MI 49022-2692

Favor de incluir un número telefónico de día en su correspondencia.

GARANTÍA DE LA SECADORA KITCHENAID®

GARANTÍA TOTAL DE DOS AÑOS

Durante dos años a partir de la fecha de compra, siempre y cuando se dé a la secadora un uso y mantenimiento de conformidad con las instrucciones adjuntas o provistas con el producto, KitchenAid pagará por las piezas de repuesto especificadas de fábrica y del gasto del trabajo de reparación para corregir defectos en los materiales o en la mano de obra. El servicio deberá ser suministrado por una compañía de servicio designada por KitchenAid.

GARANTÍA LIMITADA DEL TERCER AL QUINTO AÑO EN LOS TABLEROS DE CONTROL ELECTRÓNICOS, EL COMPONENTE ELÉCTRICO, QUEMADOR A GAS Y MOTOR

Durante el tercer al quinto año desde la fecha de compra, cuando esta secadora sea operada y mantenida de acuerdo a las instrucciones adjuntas o provistas con el producto, KitchenAid pagará por las piezas de repuesto especificadas de fábrica para los siguientes componentes, para corregir defectos de material o de mano de obra: los tableros de control electrónicos, cualquier componente eléctrico en los modelos eléctricos; cualquier quemador en los modelos a gas; reemplazo del motor.

GARANTÍA LIMITADA DEL TERCER AL DÉCIMO AÑO PARA EL TAMBOR DE LA SECADORA Y EL ENSAMBLAJE DE LA PARTE SUPERIOR/ARMARIO

Durante el tercer al décimo año desde la fecha de compra, cuando esta secadora sea operada y mantenida de acuerdo a las instrucciones adjuntas o provistas con el producto, KitchenAid pagará por las piezas de repuesto especificadas de fábrica para el tambor de la secadora y el ensamblaje de la parte superior/armario, si se oxidaran debido a defectos de material o de mano de obra.

KitchenAid no pagará por:

1. Visitas de servicio técnico para corregir la instalación de su secadora, incluyendo la ventilación. Se debe usar un ducto de escape de metal pesado de 4" (10,2 cm). Refiérase a la sección de ventilación de este manual y a las Instrucciones de instalación.
2. Visitas de servicio técnico para enseñarle a usar su secadora, para cambiar fusibles domésticos, para corregir la instalación eléctrica de la casa o volver a colocar los disyuntores, o para cambiar focos de luz que están al alcance del propietario.
3. Reparaciones cuando su secadora se use de un modo diferente al doméstico normal de una familia.
4. Daños causados por accidente, alteración, uso indebido, abuso, incendio, inundación, actos fortuitos, instalación incorrecta (incluyendo, pero no limitado al uso de ductos de escape de plástico o de hoja de aluminio flexible), instalación que no sea de conformidad con los códigos de electricidad y plomería locales, o el empleo de productos no aprobados por KitchenAid.
5. Piezas de repuesto o gastos de reparación para electrodomésticos que se empleen fuera de los Estados Unidos.
6. Recogida y entrega. Este producto está diseñado para ser reparado en el hogar.
7. Reparaciones de piezas o sistemas como resultado de modificaciones no autorizadas que se hayan efectuado en el electrodoméstico.
8. Cualquier gasto de mano de obra durante los períodos de la garantía limitada.

KITCHENAID NO SE RESPONSABILIZARÁ POR DAÑOS INCIDENTALES O CONSECUENTES.

Algunos estados no permiten la exclusión o limitación de daños incidentales o consecuentes, de modo que esta exclusión o limitación quizás no le corresponda a usted. Esta garantía le otorga derechos legales específicos, y es posible que usted tenga también otros derechos, los cuales varían de un estado a otro.

Esta garantía no tiene vigor fuera de los cincuenta Estados Unidos. Póngase en contacto con el distribuidor autorizado de KitchenAid para determinar si corresponde otra garantía.

Si necesita servicio, vea primero la sección "Solución de problemas". Podrá encontrar ayuda adicional al consultar la sección "Ayuda o servicio técnico", o al llamar a nuestro Centro de Interacción del Cliente al **1-800-422-1230** desde cualquier lugar de los EE.UU. o al escribir a: KitchenAid Brand Home Appliances, Customer Interaction Center, 553 Benson Road, Benton Harbor, MI 49022-2692. 6/04

Guarde este libro y su comprobante de compra juntos para referencia futura. Usted deberá proporcionar el comprobante de la compra o una fecha de instalación para obtener servicio bajo la garantía.

Escriba la siguiente información acerca de su secadora para ayudarle mejor a obtener asistencia o servicio técnico si alguna vez llegara a necesitarlo. Deberá tener a mano el número completo del modelo y de la serie. Podrá encontrar esta información en la etiqueta con el número de modelo y de serie, ubicados en la cavidad interna superior de la puerta de la secadora.

Nombre del distribuidor _____

Dirección _____

Número de teléfono _____

Número de modelo _____

Número de serie _____

Fecha de compra _____

SÉCURITÉ DE LA SÈCHEUSE

Votre sécurité et celle des autres est très importante.

Nous donnons de nombreux messages de sécurité importants dans ce manuel et sur votre appareil ménager. Assurez-vous de toujours lire tous les messages de sécurité et de vous y conformer.



Voici le symbole d'alerte de sécurité.

Ce symbole d'alerte de sécurité vous signale les dangers potentiels de décès et de blessures graves à vous et à d'autres.

Tous les messages de sécurité suivront le symbole d'alerte de sécurité et le mot "DANGER" ou "AVERTISSEMENT". Ces mots signifient :

⚠ DANGER

Risque possible de décès ou de blessure grave si vous ne suivez pas immédiatement les instructions.

⚠ AVERTISSEMENT

Risque possible de décès ou de blessure grave si vous ne suivez pas les instructions.

Tous les messages de sécurité vous diront quel est le danger potentiel et vous disent comment réduire le risque de blessure et ce qui peut se produire en cas de non-respect des instructions.

IMPORTANTES INSTRUCTIONS DE SÉCURITÉ

AVERTISSEMENT : Pour réduire le risque d'incendie, de choc électrique ou de blessure lors de l'utilisation de la sècheuse, il convient d'observer certaines précautions élémentaires dont les suivantes :

- Lire toutes les instructions avant d'utiliser la sècheuse.
- Ne pas placer des articles exposés aux huiles de cuisson dans votre sècheuse. Les articles contaminés par des huiles de cuisson peuvent contribuer à une réaction chimique qui pourrait causer à la charge de s'enflammer.
- Ne pas faire sécher dans la machine des articles qui ont déjà été nettoyés, lavés, imbibés, ou tachés d'essence, de solvants pour nettoyage à sec, d'autres substances inflammables, ou de substances explosives puisqu'elles dégagent des vapeurs qui peuvent provoquer un incendie ou une explosion.
- Ne pas permettre à des enfants de jouer sur ou à l'intérieur de la sècheuse. Une surveillance étroite est nécessaire lorsque la sècheuse est utilisée près d'eux.
- Avant d'enlever la sècheuse du service ou la jeter, enlever la porte du compartiment de séchage.
- Ne pas mettre la main dans la sècheuse si le tambour est en mouvement.
- Ne pas installer ni entreposer la sècheuse où elle sera exposée aux intempéries.
- Ne pas jouer avec les commandes.
- Ne pas réparer ni remplacer une pièce de la sècheuse ou essayer d'en faire l'entretien à moins d'une recommandation spécifique dans le guide d'utilisation et d'entretien, ou publiée dans les instructions de réparation par l'utilisateur que vous comprenez et pouvez exécuter avec compétence.
- Ne pas utiliser un produit assouplissant de tissu ou des produits pour éliminer la statique à moins qu'ils ne soient recommandés par le fabricant du produit assouplissant de tissu ou du produit.
- Ne pas utiliser la chaleur pour faire sécher des articles fabriqués avec du caoutchouc mousse ou des matériaux semblables.
- Nettoyer le filtre à charpie avant et après chaque charge.
- Ne pas laisser la charpie, la poussière, ou la saleté s'accumuler autour du système d'évacuation ou autour de l'appareil.
- Un nettoyage périodique de l'intérieur de la sècheuse et du conduit d'évacuation doit être effectué par une personne qualifiée.
- Voir les instructions d'installation pour les exigences de liaison de l'appareil à la terre.

CONSERVEZ CES INSTRUCTIONS

INSTRUCTIONS D'INSTALLATION

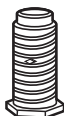
Outillage et pièces nécessaires

Rassembler les outils et pièces nécessaires avant de commencer l'installation. Lire et suivre les instructions fournies avec les outils indiqués ici.

- Tournevis à lame plate
- Clé à molette avec ouverture jusqu'à 1" (2,5 cm) ou clé à douille hexagonale (pour ajuster les pieds de la sécheuse)
- Pince à dénuder (raccord)
- Niveau
- Tournevis Phillips n° 2
- Clapets d'évacuation
- Pistolet à calfeutrage et composé de calfeutrage (pour l'installation d'un nouveau circuit d'évacuation)
- Cisaille de ferblantier (pour l'installation d'un nouveau conduit)

Pièces fournies

Retirer les sachets de pièces du tambour de la sécheuse. Vérifier que toutes les pièces de la liste sont présentes.



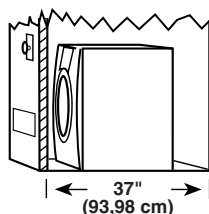
4 pieds de nivellement

REMARQUE : Ne pas utiliser les pieds de nivellement si la sécheuse doit être installée sur un piédestal.

Pièces nécessaires

Consulter les codes locaux. Vérifier l'alimentation électrique et le circuit d'évacuation existants. Voir "Spécifications électriques" et "Exigences concernant l'évacuation" avant d'acheter les pièces.

- Pour les installations à faible espacement entre 31,5" (80,01 cm) et 37" (93,98 cm), voir la section "Planification du système d'évacuation" pour les exigences d'évacuation.

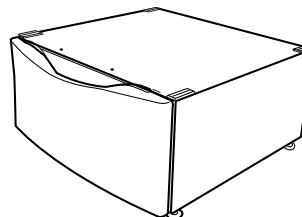


Les installations pour maison mobile nécessitent un système d'évacuation en métal disponible à l'achat chez le marchand chez qui vous avez acheté votre sécheuse. Pour plus de renseignements, veuillez consulter la section "Assistance ou service" de ce manuel.

Options

Piédestal

Installez-vous la sécheuse sur un piédestal? Vous pouvez acheter un piédestal séparément pour cette sécheuse. Ce piédestal ajoutera environ 13" (33 cm) à la hauteur de la sécheuse pour une hauteur totale d'environ 51" (130 cm).



Piédestal facultatif

Pour commander, téléphoner au marchand chez qui vous avez acheté votre sécheuse ou se référer à la section "Assistance ou service" de ce manuel. Demander la pièce numéro LAB2700PMT (météorite) ou LAB2700MQ0 (blanche).

Nécessaire de superposition

Prévoyez-vous superposer votre laveuse et votre sécheuse? Pour ce faire, vous devrez acheter un nécessaire de superposition.

Pour commander, téléphoner au marchand chez qui vous avez acheté votre sécheuse ou se référer à la section "Assistance ou service" de ce manuel. Demandez la pièce numéro 8541503.

Emplacement d'installation

⚠ AVERTISSEMENT



Risque d'explosion

Garder les matières et les vapeurs inflammables, telle que l'essence, loin de la sécheuse.

Placer la sécheuse au moins 46 cm (18 po) au-dessus du plancher pour une installation dans un garage.

Le non-respect de ces instructions peut causer un décès, une explosion ou un incendie.

Il vous faudra

- Un emplacement avec un conduit d'évacuation à proximité. Voir "Exigences concernant l'évacuation".
- Un circuit séparé de 30 ampères.
- Une prise électrique avec liaison à la terre située à moins de 2 pi (61 cm) de l'un des côtés de la sécheuse. Voir "Spécifications électriques".

- Un plancher robuste capable de soutenir le poids total de la sècheuse de 200 lb (90,7 kg). Il faut aussi prendre en compte le poids combiné d'un appareil ménager voisin.
- Un plancher de niveau ayant une pente maximale de 1" (2,5 cm) sous l'ensemble de la sècheuse. Si la pente est supérieure à 1" (2,5 cm), installer l'ensemble de pieds longs pièce n° 279810. Si la sècheuse n'est pas d'aplomb, le linge peut ne pas culbutter convenablement et les programmes automatiques commandés par détecteur peuvent ne pas fonctionner correctement.
- Pour l'installation dans un garage, il faut placer la sècheuse à au moins 18" (46 cm) au-dessus du sol. Si on utilise un piédestal, il faudra ajouter 6" (15,24 cm) de plus.

Ne pas faire fonctionner la sècheuse à des températures inférieures à 45°F (7°C). À des températures inférieures, la sècheuse risque de ne plus s'arrêter à la fin d'un programme automatique. Ceci risque de prolonger les durées de séchage.

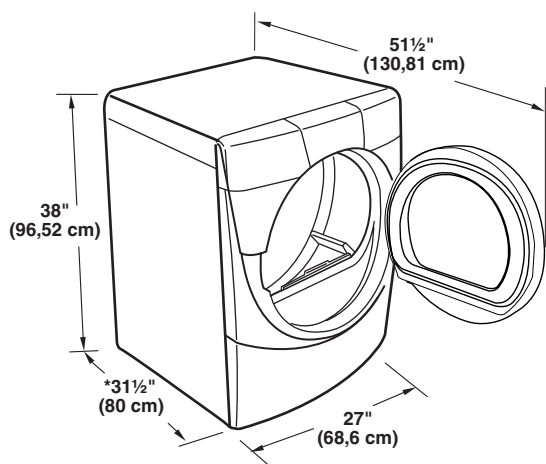
La sècheuse ne doit pas être installée ou remise en état dans un endroit où elle sera exposée à l'eau et/ou aux intempéries.

Vérifier les règlements locaux. Certains codes limitent ou n'autorisent pas l'installation des sècheuses dans un garage, un placard, une maison mobile ou une chambre à coucher. Communiquer avec l'inspecteur des bâtiments local.

Espacements d'installation

- L'emplacement doit être assez grand pour permettre d'ouvrir complètement la porte de la sècheuse.
- On prévoira un peu plus d'espace pour faciliter l'installation et l'entretien.
- Un espace supplémentaire peut être requis pour les moulures de porte et de plancher et pour les plinthes.
- Un espace supplémentaire de 1" (2,5 cm) de tous les côtés de la sècheuse est recommandé pour réduire le transfert du bruit.
- Il faut aussi prendre en compte l'espace requis entre les appareils voisins.

Dimensions de la sècheuse

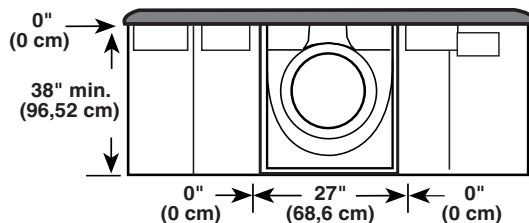


*La plupart des installations requièrent un espace minimum de 5 1/2" (14 cm) derrière la sècheuse pour le conduit d'évacuation avec coude. Voir "Exigences concernant l'évacuation".

Espacement minimum recommandé pour une installation personnalisée sous un comptoir

Les dimensions indiquées sont pour l'espace minimum permis.

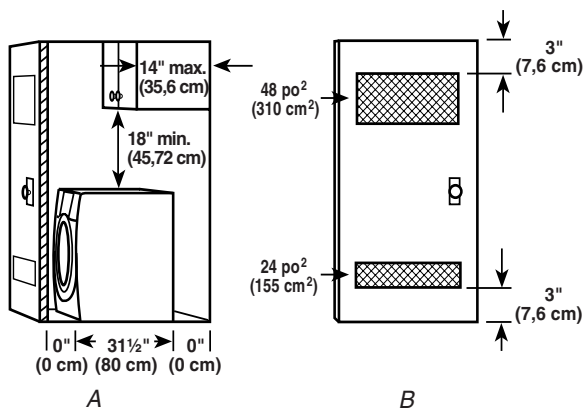
Installation personnalisée sous un comptoir - sècheuse seulement



Espacement minimum pour une installation dans un encastrement ou dans un placard, avec ou sans piédestal

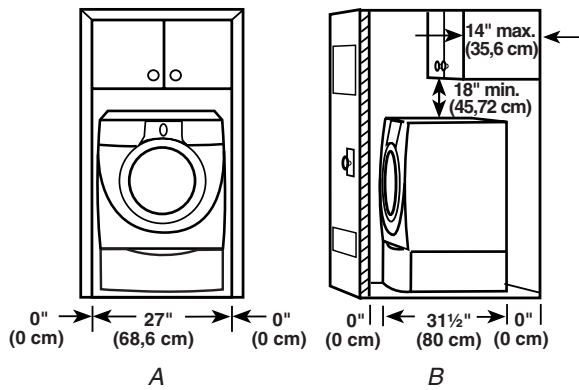
- Les dimensions indiquées sont pour l'espace minimum permis.
- Pour installation dans un placard avec porte, on doit prévoir des ouvertures minimum d'entrée d'air en haut et en bas de la porte. Les portes à claire-voie offrant des ouvertures équivalentes de passage de l'air sont acceptables.

Installation dans un placard - Sècheuse seulement



A. Vue latérale - placard ou endroit exigü
B. Porte de placard avec orifices d'entrée d'air

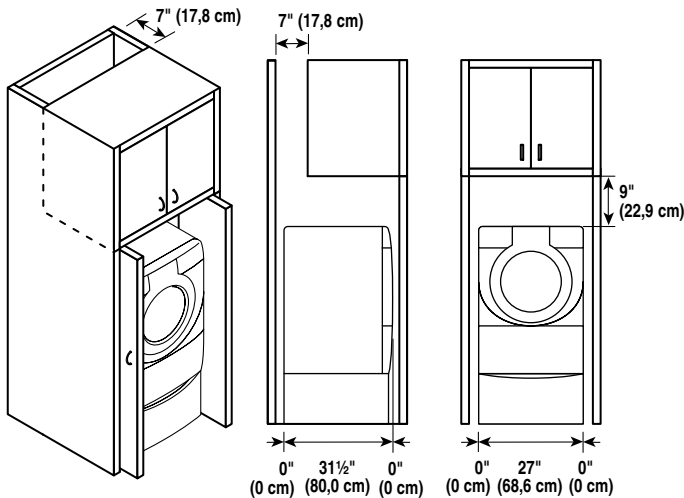
Installation dans un encastrement ou placard - sècheuse sur piédestal



A. Encastrement
B. Vue latérale - placard ou endroit exigu

Espacement minimum recommandé pour l'installation de la caisse

- Les dimensions indiquées sont pour l'espace minimum permis.
- Pour installation de la caisse avec porte, on doit prévoir des ouvertures minimum d'entrée d'air au sommet de la caisse.



Exigences supplémentaires pour l'installation dans une maison mobile

Cette sècheuse convient aux installations pour maison mobile. L'installation doit être conforme à la norme canadienne sur les maisons préfabriquées CAN/CSA-Z240 MH.

L'installation dans une maison mobile exige :

- Un système d'évacuation en métal qui peut être acheté chez votre marchand.
- Il faut prendre des dispositions spéciales pour l'apport d'air de l'extérieur dans la sècheuse. L'ouverture (telle qu'une fenêtre à proximité) devrait être au moins deux fois plus grande que l'ouverture de décharge de la sècheuse.

Spécifications électriques - Canada seulement

⚠ AVERTISSEMENT



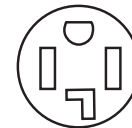
Risque de choc électrique

Brancher sur une prise à 4 alvéoles reliée à la terre.

Le non-respect de cette instruction peut causer un décès ou un choc électrique.

C'est à l'utilisateur qu'incombe la responsabilité de

- Communiquer avec un électricien qualifié.
- S'assurer que les connexions électriques sont adéquates et conformes au Code canadien de l'électricité, C22.1 - dernière édition et à tous les codes locaux. Pour obtenir un exemplaire de la norme des codes ci-dessus, contacter : Association canadienne de normalisation, 178 Rexdale Blvd., Toronto, ON M9W 1R3 CANADA.
- Alimenter l'appareil uniquement par un circuit monophasé de 115/230 volts CA, 60 Hz à 4 fils, sur un circuit séparé de 30 ampères, fusionné aux deux extrémités de la ligne. On recommande l'emploi d'un fusible temporisé ou disjoncteur. On recommande également que cet appareil soit alimenté par un circuit indépendant.
- Cette sècheuse est équipée d'un cordon électrique homologué par la CSA International à introduire dans une prise murale standard 14-30R. Le cordon mesure 5 pi (1,52 m). Veiller à ce que la prise murale se trouve à proximité de l'emplacement définitif de la sècheuse.



Prise murale à 4 fils 14-30R

- Ne pas utiliser de cordon de rallonge.

Si on utilise un cordon d'alimentation de rechange, il est recommandé d'utiliser le cordon d'alimentation de rechange numéro de pièce 9831317. Pour plus d'information, veuillez consulter les numéros de service qui se trouvent à la section "Assistance ou service" de ce manuel.

INSTRUCTIONS DE LIAISON À LA TERRE

- Pour une sècheuse reliée à la terre et connectée par un cordon :

Cette sècheuse doit être reliée à la terre. En cas de mauvais fonctionnement ou de panne, la liaison à la terre réduira le risque de choc électrique en offrant au courant électrique un acheminement d'évacuation de moindre résistance. Cette sècheuse est alimentée par un cordon électrique comportant un conducteur relié à la terre et une fiche de branchement munie d'une broche de liaison à la terre. La fiche doit être branchée sur une prise appropriée qui est bien installée et reliée à la terre conformément à tous les codes et règlements locaux.

AVERTISSEMENT : Le raccordement incorrect de cet appareil au conducteur de liaison à la terre peut susciter un risque de choc électrique. En cas de doute quant à la qualité de liaison à la terre de la sècheuse, consulter un électricien ou un technicien ou un personnel qualifié. Ne pas modifier la fiche de branchement fournie avec la sècheuse; si la fiche ne correspond pas à la configuration de la prise de courant, demander à un électricien qualifié d'installer une prise de courant appropriée.

CONSERVEZ CES INSTRUCTIONS

Exigences concernant l'évacuation

AVERTISSEMENT



Risque d'incendie

Utiliser un conduit d'évacuation en métal lourd.

Ne pas utiliser un conduit d'évacuation en plastique.

Ne pas utiliser un conduit d'évacuation en feuille de métal.

Le non-respect de ces instructions peut causer un décès ou un incendie.

AVERTISSEMENT : Pour réduire le risque d'incendie, cette sècheuse DOIT ÉVACUER L'AIR À L'EXTÉRIEUR.

Utiliser un conduit d'évacuation métallique robuste de 4" (10,2 cm) et des brides de fixation. Les produits d'évacuation DURASAFE™ sont recommandés.

On peut se procurer les produits d'évacuation DURASAFE™ auprès du marchand ou en téléphonant à Pièces et accessoires Whirlpool. Pour plus de renseignements, voir la section "Assistance ou service" de ce manuel.

- Le système d'évacuation de la sècheuse ne doit pas être connecté à une évacuation de gaz, une cheminée, un mur, un plafond ou un vide dans le bâtiment.
- Ne pas utiliser un clapet d'évacuation à fermeture magnétique.
- Ne pas installer le conduit flexible en métal dans les cavités fermées des murs, plafonds ou planchers.
- Utiliser des brides de serrage pour sceller tous les joints. Le système d'évacuation ne doit pas être connecté ou fixé avec des vis ou autres dispositifs de serrage qui se prolongent à l'intérieur du conduit. Ne pas utiliser de ruban adhésif.

IMPORTANT : Respecter toutes les prescriptions des codes et règlements en vigueur.

Une mauvaise évacuation de l'air peut causer de l'humidité et une accumulation de charpie à l'intérieur de la maison qui peut causer :

- Dommages par l'humidité aux boiseries, meubles, peinture, papier-peint, tapis, etc.
- Problèmes de nettoyage dans la maison et problèmes de santé.

Utiliser un conduit métallique rigide. Ne pas utiliser un conduit de plastique ou en feuille métallique.

On recommande d'utiliser un conduit métallique rigide pour réduire les risques d'écrasement et de déformation.

Un conduit métallique souple doit être totalement déployé et soutenu lorsque la sècheuse est à sa position finale. Enlever tout excès de conduit souple pour éviter tout affaissement et déformation susceptibles de réduire la capacité d'évacuation et le rendement.

Terminer le conduit d'évacuation par un clapet de décharge pour empêcher les rongeurs et insectes d'entrer dans l'habitation.

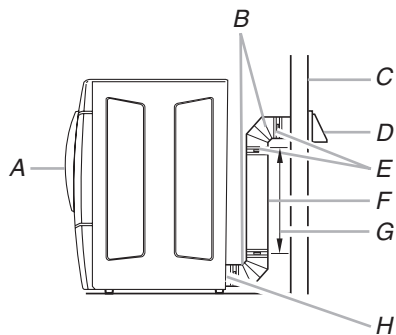
Le clapet de décharge doit être situé à au moins 12" (30,5 cm) au-dessus du sol ou de tout objet se trouvant sur le trajet de l'air humide rejeté (par exemple, fleurs, roches ou arbustes, etc.).

Lors de l'utilisation d'un système de décharge existant, nettoyer et éliminer la charpie sur toute la longueur du système et veiller à ce que le clapet de décharge ne soit pas obstrué par une accumulation de charpie. Remplacer tout conduit de plastique ou de feuille métallique par un conduit métallique rigide ou souple.

Planification du système d'évacuation

Installations typiques d'évacuation

Les installations typiques consistent à acheminer le conduit d'évacuation à l'arrière de la sécheuse. D'autres installations sont possibles.



- A. Sécheuse
 B. Coude
 C. Mur
 D. Clapet de décharge
 E. Brides
 F. Conduit métallique rigide ou souple
 G. Longueur de conduit nécessaire pour raccorder les coudes
 H. Bouche de décharge

Installations d'évacuation facultatives

Cette sécheuse peut être convertie pour évacuer par le côté droit, le côté gauche ou par le bas. Contactez votre marchand local pour faire convertir la sécheuse.

⚠ AVERTISSEMENT



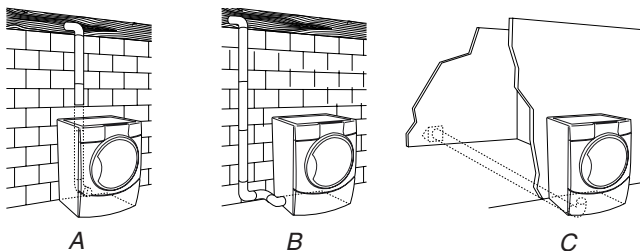
Risque d'incendie

Recouvrir tous les orifices d'évacuation non utilisés avec l'une des troussees suivantes :

- 279818 (blanche)
 280028 (météorite)

Contactez votre marchand local.

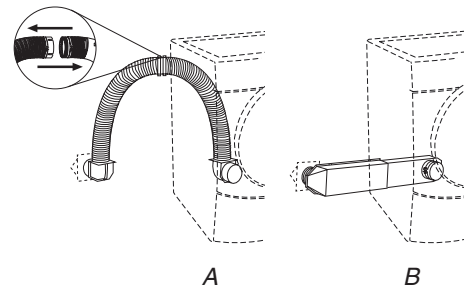
Le non-respect de ces instructions peut causer un décès, un incendie, un choc électrique ou une blessure grave.



- A. Acheminement standard du conduit d'évacuation par l'arrière
 B. Acheminement du conduit d'évacuation par la gauche ou par la droite
 C. Acheminement du conduit d'évacuation par le bas (pas une option avec les installations sur piedestal).

Autres installations où le dégagement est réduit

Il existe de nombreux systèmes d'évacuation. Choisir le système qui convient le mieux à l'installation. Deux installations à dégagement réduit sont illustrées. Consulter les instructions du fabricant fournies avec le système d'évacuation.



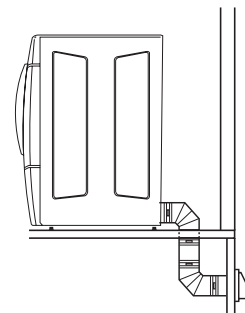
- A. Installation au-dessus de la sécheuse (aussi disponible avec un coude décalé)
 B. Installation de périscope

REMARQUE : On peut acheter les troussees suivantes pour les installations où le dégagement est réduit. Veuillez consulter la section "Assistance ou service" de ce manuel pour passer une commande.

- Installation au-dessus de la sécheuse :
 Pièce numéro 4396028
- Installation de périscope (Pour utilisation en cas de non-concordance de la bouche de décharge de la sécheuse avec le clapet) :
 Pièce numéro 4396037 – Non-concordance de 0" (0 cm) à 18" (45,72 cm)
 Pièce numéro 4396011 – Non-concordance de 18" (45,72 cm) à 29" (73,66 cm)
 Pièce numéro 4396014 – Non-concordance de 29" (73,66 cm) à 50" (127 cm)

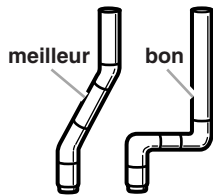
Dispositions spéciales pour les installations dans une maison mobile

Le système d'évacuation doit être solidement fixé à une section non combustible de la structure de la maison mobile et ne doit pas se terminer en dessous de la maison mobile. Faire en sorte que le système d'évacuation se termine à l'extérieur.



Détermination de la longueur du conduit

- Choisir l'itinéraire d'acheminement vers l'extérieur qui sera le plus direct et le plus rectiligne. Planifier l'installation pour introduire le nombre minimal de coudes et changements de direction. Si des coudes sont utilisés pour les changements de direction, prévoir autant d'espace que possible. Plier le conduit graduellement pour éviter de le déformer. Éviter les changements de direction à 90°.

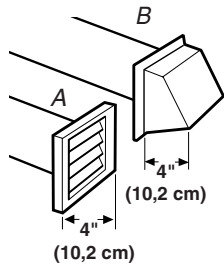


- Déterminer la longueur du conduit.

La longueur maximale du circuit de décharge dépend de plusieurs facteurs :

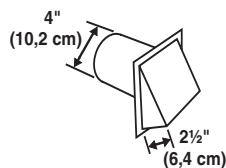
- Le type de conduit (métal rigide ou souple).
- Le nombre de coudes incorporés au circuit.
- Le type de clapet.

Les styles de clapet recommandés sont illustrés ci-dessous.



A. Clapet à persiennes
B. Clapet de type boîte

Le clapet incliné (illustré ci-dessous) est acceptable.



Consulter le tableau correspondant au type de clapet de décharge utilisé pour déterminer la longueur maximale de conduit utilisable.

Si la longueur du circuit est supérieure à la valeur spécifiée dans le tableau, on observera :

- Une réduction de la longévité de la sècheuse.
- Une réduction du rendement, avec temps de séchage plus longs et une plus grande consommation d'énergie.

- Déterminer le nombre de coudes nécessaires.

IMPORTANT : Ne pas installer un conduit de longueur supérieure à la valeur spécifiée dans le tableau de longueur du conduit d'évacuation.

Le tableau suivant vous aide à déterminer la longueur maximale du conduit d'évacuation selon le nombre de changements de direction à 90° ou coudes dont vous aurez besoin et le type de conduit métallique (rigide ou souple) et de clapet que vous utiliserez.

Tableau de longueur du conduit d'évacuation

| Nombre de changements de direction à 90° ou coudes | Type de conduit | Clapets de type boîte ou à persiennes | Clapets inclinés |
|--|-------------------|---------------------------------------|------------------|
| 0 | Métallique rigide | 64 pi (20 m) | 58 pi (17,7 m) |
| | Métallique souple | 36 pi (11 m) | 28 pi (8,5 m) |
| 1 | Métallique rigide | 54 pi (16,5 m) | 48 pi (14,6 m) |
| | Métallique souple | 31 pi (9,4 m) | 23 pi (7 m) |
| 2 | Métallique rigide | 44 pi (13,4 m) | 38 pi (11,6 m) |
| | Métallique souple | 27 pi (8,2 m) | 19 pi (5,8 m) |
| 3 | Métallique rigide | 35 pi (10,7 m) | 29 pi (8,8 m) |
| | Métallique souple | 25 pi (7,6 m) | 17 pi (5,2 m) |
| 4 | Métallique rigide | 27 pi (8,2 m) | 21 pi (6,4 m) |
| | Métallique souple | 23 pi (7 m) | 15 pi (4,6 m) |

REMARQUE : Les installations d'évacuation du conduit par le côté ou par le bas comportent un changement de direction à 90° à l'intérieur de la sècheuse. Pour établir la longueur maximale du conduit, ajouter un changement de direction à 90° au tableau.

Installation du conduit d'évacuation

- Installer le clapet d'évacuation. Calfeutrer au pistolet l'ouverture murale à l'extérieur autour du clapet d'évacuation.
- Raccorder le conduit d'évacuation au clapet. Le conduit doit être inséré à l'intérieur du clapet. Fixer ensemble le conduit et le clapet avec une bride de 4" (10,2 cm).
- Acheminer le conduit d'évacuation jusqu'à l'emplacement de la sècheuse. Utiliser l'itinéraire le plus rectiligne possible. Voir "Détermination de la longueur du conduit". Éviter les changements de direction à 90°. Utiliser des brides pour sceller tous les joints. Ne pas utiliser de ruban adhésif pour conduit, des vis ou autres dispositifs de fixation qui se prolongent à l'intérieur du conduit pour fixer celui-ci.

Installation des pieds de nivellement

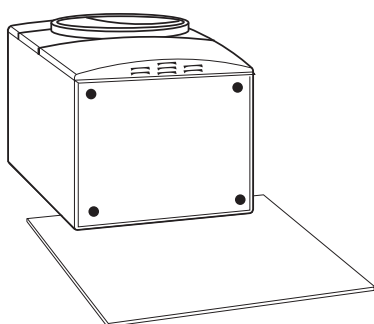
AVERTISSEMENT

Risque du poids excessif

Utiliser deux ou plus de personnes pour déplacer et installer la sécheuse.

Le non-respect de cette instruction peut causer une blessure au dos ou d'autre blessure.

1. Pour protéger le plancher, utiliser une grande pièce de carton de la boîte de la sécheuse. Placer la pièce de carton sous toute la longueur du bord arrière de la sécheuse. Voir l'illustration.
2. Saisir fermement la sécheuse par la caisse (et non par le tableau de console). Déposer délicatement la sécheuse sur le carton.



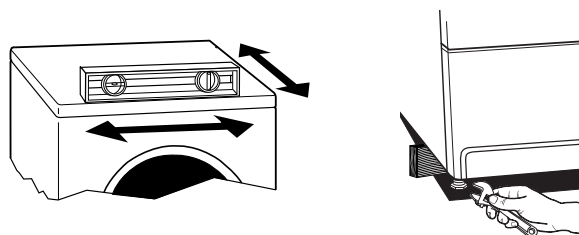
3. Examiner les pieds de nivellement. Trouver le symbole de repérage (losange).



4. Engager manuellement les vis des pieds dans les trous. Utiliser une clé à molette pour visser les pieds jusqu'à ce que le symbole de repérage (losange) ne soit plus visible.
5. Placer une cornière en carton sous chacun des deux coins arrière de la sécheuse. Placer la sécheuse debout. Glisser la sécheuse sur les cornières jusqu'à ce que l'appareil soit proche de son emplacement final. Laisser assez d'espace pour connecter le conduit d'évacuation.
6. Une fois la connexion faite et la sécheuse sur son emplacement final, enlever les cornières et le carton.

Mise à niveau de la sécheuse

Contrôler l'aplomb de la sécheuse. Contrôler l'aplomb tout d'abord transversalement, puis dans le sens avant/arrière.



Si la sécheuse n'est pas de niveau, la déposer sur un bloc de bois. Utiliser une clé à molette pour ajuster les pieds vers le haut ou vers le bas, et vérifier à nouveau si elle est de niveau.

REMARQUE : Il peut être nécessaire de remettre de niveau la sécheuse une fois qu'on l'installe à son emplacement définitif.

Conduit d'évacuation

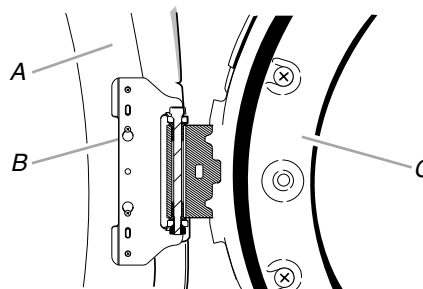
1. À l'aide d'une bride de fixation de 4" (10,2 cm), relier le conduit d'évacuation à la bouche d'évacuation de la sécheuse. Si on utilise un système d'évacuation existant, s'assurer qu'il est propre. Le conduit d'évacuation de la sécheuse doit être fixé sur la bouche d'évacuation de la sécheuse et dans le clapet d'évacuation. S'assurer que le conduit d'évacuation est fixé au clapet d'évacuation à l'aide d'une bride de fixation de 4" (10,2 cm).
2. Placer la sécheuse à l'emplacement final. Ne pas écraser ni déformer le conduit d'évacuation. Vérifier que la sécheuse est de niveau.
3. (Sur les modèles à gaz) Vérifier que le tuyau de gaz flexible n'est pas déformé ou écrasé.

Inversion de l'ouverture de la porte

Le sens d'ouverture de la porte peut être changé du côté droit au côté gauche, si désiré.

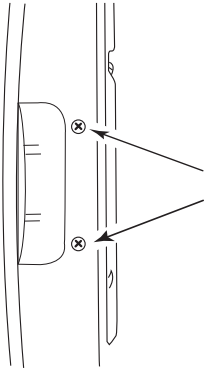
Enlever la porte

1. Ouvrir la porte de la sécheuse. Enlever les 4 vis qui maintiennent la charnière de la porte du panneau frontal de la sécheuse. Desserrer, mais ne pas enlever, la vis à trou de serrure supérieur s'ouvrant en dernier (deuxième en partant du haut).

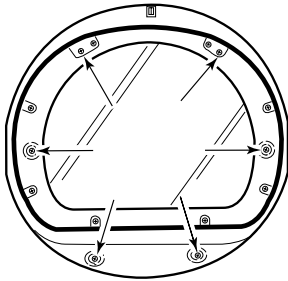


A. Sécheuse
B. Ne pas enlever
C. Porte de la sécheuse

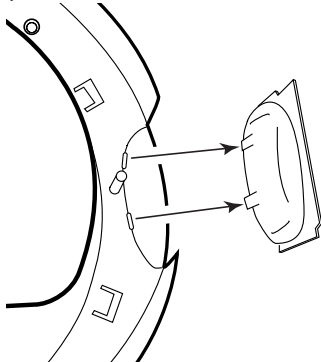
2. Soulever la porte et la tirer vers l'avant de telle sorte que la tête de la vis sorte du trou de serrure. Enlever la porte.
3. Poser la porte de la sècheuse sur une surface plate protégée, côté intérieur vers le haut. Enlever la dernière vis de l'étape 1. Enlever les 2 vis retenant la poignée à la porte.



4. Enlever les 6 vis pour séparer la partie interne de la porte de la partie externe, (voir l'illustration). Il importe d'enlever seulement les 6 vis indiquées.

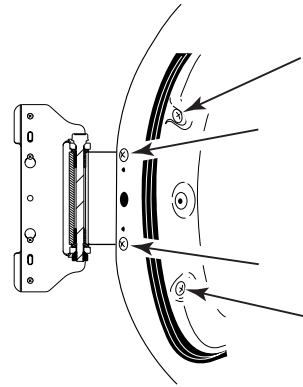


5. Soulever la partie interne de la porte et la sortir de la partie externe. Défaire la poignée de la partie externe de la porte, la déplacer de l'autre côté et la réenclencher. Mettre la partie externe de la porte de côté.

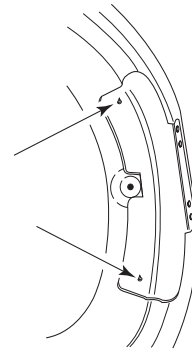


Inverser la charnière et son support

1. Placer la partie interne de la porte, côté de la tête des vis vers le haut, sur la surface de travail.
2. Enlever les 4 vis qui retiennent la charnière à la porte.



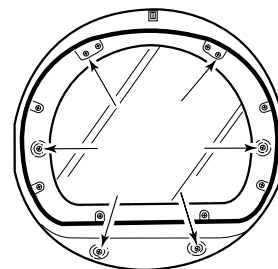
3. Enlever les 2 vis qui retiennent le support de la poignée à la porte.



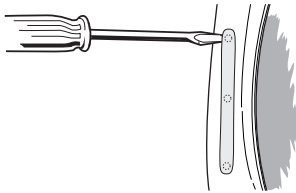
4. Déplacer la charnière de l'autre côté et la réinstaller avec les 4 vis enlevées à l'étape 2.
5. Déplacer le support de la poignée de l'autre côté et le réinstaller avec les 2 vis enlevées à l'étape 3.
6. Mettre la partie interne de la porte de côté.

Réinstallation de la porte

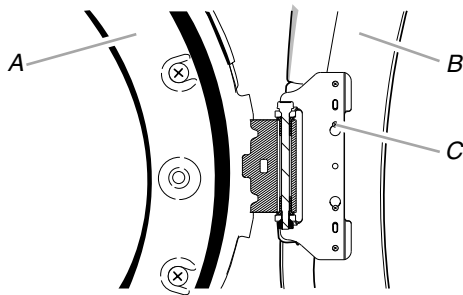
1. Vérifier s'il y a des empreintes digitales sur le verre. Nettoyer au besoin.
2. Placer la partie interne de la porte dans la partie externe. Aligner la charnière dans l'ouverture sur le côté. Pour une bonne installation, le bord de la partie interne de la porte se trouve complètement à l'intérieur du bord de la partie externe de la porte.
3. Assembler de nouveau les parties interne et externe de la porte avec les 6 vis.



4. Remettre les 2 vis de la poignée dans la porte.
5. Utiliser un petit tournevis à lame plate pour enlever les bouchons dans l'ouverture de la porte. Glisser la lame du tournevis sous le capuchon du bouchon de chaque trou en prenant soin de ne pas égratigner la surface de la sècheuse. Soulever. Enlever les bouchons de trou dans l'ouverture de la porte et les insérer du côté opposé.



6. Insérer une vis dans la deuxième ouverture à partir du haut de l'ouverture de la charnière et la serrer partiellement. Suspendre la porte en plaçant le trou de serrure supérieur de la charnière par-dessus la tête de la deuxième vis et serrer la vis. En plaçant cette vis en premier, la porte sera suspendue en place pendant que vous insérez et serrez les 4 autres vis.



A. Porte de la sècheuse
 B. Sècheuse
 C. Insérer cette vis en premier

7. Fermer la porte et vérifier qu'elle s'enclenche solidement.

Achever l'installation

1. Vérifier que toutes les pièces sont installées. S'il reste une pièce, passer en revue les différentes étapes pour découvrir laquelle aurait été oubliée.
2. S'assurer d'avoir récupéré tout l'outillage.
3. Jeter ou recycler tout le matériel d'emballage.
4. Vérifier l'emplacement définitif de la sècheuse. S'assurer que le conduit d'évacuation n'est pas écrasé ou déformé.
5. Vérifier que la sècheuse est de niveau. Voir "Mise à niveau de la sècheuse".
6. Brancher la sècheuse sur une prise reliée à la terre. Mettre le courant.
7. Retirer la pellicule de protection bleue sur le panneau de commande et le ruban resté sur la sècheuse.
8. Lire "Utilisation de la sècheuse".
9. Essuyer soigneusement le tambour de la sècheuse avec un chiffon humide pour éliminer toute trace de poussière.
10. Régler la sècheuse sur un programme de séchage complet (pas le programme de séchage sans chaleur) de 20 minutes et mettre la sècheuse en marche.

Si la sècheuse ne démarre pas, vérifier ce qui suit :

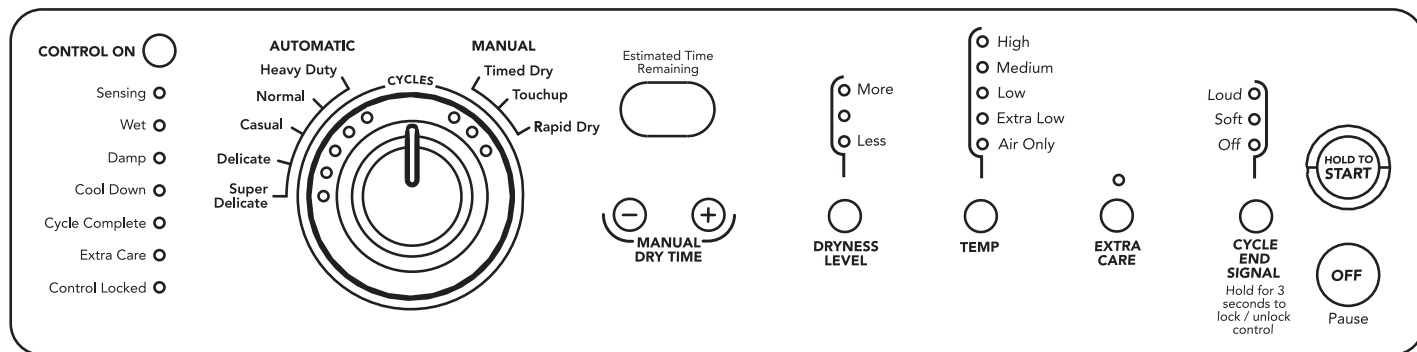
- Les commandes sont réglées à la position de marche ou "On".
 - Le bouton Start (mise en marche) a été enfoncé fermement.
 - La sècheuse est branchée sur une prise reliée à la terre.
 - L'alimentation électrique est connectée.
 - Les fusibles sont intacts et serrés, ou le disjoncteur n'est pas déclenché.
 - La porte de la sècheuse est fermée.
11. Après 5 minutes de fonctionnement, ouvrir la porte de la sècheuse et voir s'il y a de la chaleur.

Si la sècheuse n'est pas chaude à l'intérieur, désactiver la sècheuse et vérifier ce qui suit :

- Il peut y avoir 2 fusibles ou disjoncteurs pour la sècheuse. Vérifier que les fusibles sont intacts et serrés ou que les deux disjoncteurs ne se sont pas déclenchés. S'il n'y a toujours pas de chaleur, contacter un technicien qualifié.

REMARQUE : Il est possible que la sècheuse dégage une odeur de brûlé lors du chauffage initial. Cette odeur est normale lorsque l'élément chauffant est utilisé pour la première fois. L'odeur disparaîtra.

UTILISATION DE LA SÈCHEUSE



Mise en marche de la sècheuse

⚠ AVERTISSEMENT



Risque d'explosion

Garder les matières et les vapeurs inflammables, telle que l'essence, loin de la sècheuse.

Ne pas faire sécher un article qui a déjà été touché par un produit inflammable (même après un lavage).

Le non-respect de ces instructions peut causer un décès, une explosion ou un incendie.

⚠ AVERTISSEMENT



Risque d'incendie

Aucune laveuse ne peut complètement enlever l'huile.

Ne pas faire sécher des articles qui ont été salis par tout genre d'huile (y compris les huiles de cuisson).

Les articles contenant mousse, caoutchouc ou plastique doivent être séchés sur une corde à linge ou par le programme de séchage à l'air.

Le non-respect de ces instructions peut causer un décès ou un incendie.

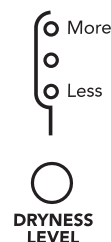
AVERTISSEMENT : Pour réduire le risque d'incendie, de choc électrique ou de blessures corporelles, lire les **IMPORTANTES INSTRUCTIONS DE SÉCURITÉ** avant de faire fonctionner cet appareil.

Les renseignements suivants vous guideront pour la mise en marche de votre sècheuse. Prière de consulter les sections spécifiques de ce manuel pour obtenir des renseignements plus détaillés.

1. Nettoyer le filtre à charpie avant ou après chaque programme. Voir "Nettoyage du filtre à charpie".
2. Charger les vêtements dans la sècheuse et fermer la porte. Voir "Chargement".
3. Tourner le cadran pour sélectionner un programme automatique ou manuel, puis appuyer sur le bouton CONTROL ON (mise en marche). Les réglages préréglés et la durée de séchage pour le programme choisi s'affichent.

Utilisation d'un programme automatique

- Pointer le cadran sur un programme automatique.
- Sélectionner DRYNESS LEVEL (niveau de séchage) pour régler le degré de séchage désiré. La durée affichée est la durée prévue du programme en fonction du degré de séchage sélectionné. Au cours du programme, la commande détecte le degré de séchage de la charge et règle la durée automatiquement selon le degré de séchage sélectionné.



REMARQUE : La durée n'est pas réglable pour les programmes automatiques. Le fait d'appuyer sur les boutons Durée de séchage manuel (- ou +) cause l'émission d'un triple bip indiquant que la durée ne peut être changée.

- Appuyer sur le bouton de la caractéristique EXTRA CARE (ultra soin) si cette option est désirée.
- Appuyer sur le bouton CYCLE END SIGNAL (signal de fin de programme) pour régler le volume du signal au niveau désiré.
- Appuyer (sans relâcher) sur le bouton HOLD TO START (Appuyer sans relâcher pour mettre en marche) jusqu'à ce que la sècheuse se mette en marche (environ 1 seconde).

Lorsqu'un programme automatique a commencé, la caractéristique Extra Care (ultra soin) et le niveau du signal de fin de programme peuvent être ajustés. Appuyer deux fois sur le bouton OFF (arrêt) pour arrêter la sècheuse et annuler les réglages, ce qui permet de sélectionner un autre programme et niveau de séchage.

Utilisation d'un programme manuel

- Tourner le cadran pour sélectionner un programme manuel.
- Appuyer sur les boutons (- ou +) de la MANUAL DRY TIME (durée de séchage manuel) jusqu'à ce que la durée de séchage désirée s'affiche. Appuyer légèrement sur - ou + et la durée changera par tranche de 1 minute. Appuyer sans relâcher sur - ou + et la durée changera par tranche de 5 minutes. La durée initiale affichée est la durée de séchage réelle.



REMARQUE : La caractéristique de durée de séchage manuel peut être utilisée seulement avec les programmes manuels.

- Appuyer sur TEMP (température) jusqu'à ce que la température désirée s'allume.

REMARQUE : Le fait d'appuyer sur le bouton Dryness Level (degré de séchage) cause l'émission d'un triple bip indiquant que cette option n'est pas disponible. De plus, aucun degré de séchage n'est indiqué.

- Appuyer sur le bouton de la caractéristique EXTRA CARE (ultra soin) si cette option est désirée.
- Appuyer sur le bouton CYCLE END SIGNAL (signal de fin de programme) pour régler le volume au niveau désiré.
- Appuyer (sans relâcher) sur le bouton HOLD TO START (Appuyer sans relâcher pour mettre en marche) jusqu'à ce que la sècheuse se mette en marche (environ 1 seconde).

Durant le fonctionnement d'un programme manuel, on peut changer les réglages de durée, de température, de la caractéristique Extra Care et du signal de fin de programme. Appuyer deux fois sur le bouton OFF (arrêt) pour arrêter la sècheuse et annuler les réglages, ce qui permet de sélectionner un autre programme.

Arrêt de la sècheuse

Pour arrêter la sècheuse à n'importe quel moment

Appuyer sur OFF deux fois ou ouvrir la porte.

Arrêt ou remise en marche

Pour faire une pause de la sècheuse à n'importe quel moment

Ouvrir la porte ou appuyer sur OFF une fois.

Pour remettre la sècheuse en marche

Fermer la porte et appuyer (sans relâcher) sur le bouton HOLD TO START jusqu'à ce que la sècheuse se mette en marche.

REMARQUE : Le séchage continuera à partir de là où le programme a été interrompu si on referme la porte et appuie sur Start dans les 5 minutes qui suivent. Si le programme est interrompu pendant plus de 5 minutes, la sècheuse s'arrête. Sélectionner les nouveaux réglages de programme avant de remettre la sècheuse en marche.

Verrouillage des commandes

Cette caractéristique permet de verrouiller les réglages et d'empêcher l'utilisation non intentionnelle de la sècheuse. On peut aussi utiliser la caractéristique de verrouillage des commandes pour empêcher des changements non intentionnels de programme ou d'option durant le fonctionnement de la sècheuse.

Pour activer la caractéristique Verrouillage des commandes lorsque la sècheuse est en marche :

Appuyer sur le bouton CYCLE END SIGNAL pendant trois secondes. La commande est verrouillée lorsqu'un bip unique est émis et que le témoin de verrouillage est allumé.

- Lorsque la sècheuse est éteinte, il n'est pas nécessaire d'appuyer sur le bouton Control On avant d'activer la caractéristique de verrouillage des commandes.

Déverrouillage :

Appuyer sur le bouton CYCLE END SIGNAL pendant trois secondes pour annuler cette caractéristique.

REMARQUE : Lorsque la sècheuse fonctionne et que le verrouillage des commandes est activé, il est possible d'arrêter la sècheuse en appuyant sur le bouton OFF, mais elle ne peut être remise en marche tant que la commande n'est pas déverrouillée.

Chargement

Le chargement approprié de votre sècheuse peut faire diminuer vos frais de services publics et prolonger la durée de vos vêtements.

Suggestions de chargement

- Charger la sècheuse selon le volume d'espace qu'exigent les articles, et non pas selon leur poids.
- Ne pas trop charger la sècheuse. Un chargement excessif entraîne un séchage médiocre et des faux plis.

Sécheuses de super capacité plus

Vêtements de travail lourds

| | |
|------------------------|-----------------------|
| 4 jeans | 2 survêtements (bas) |
| 4 pantalons de travail | 2 survêtements (haut) |
| 4 chemises de travail | |

Serviettes

| | |
|-----------------------|---------------------|
| 10 serviettes de bain | 14 débarbouillettes |
| 10 serviettes à main | |

Charge mixte

| | |
|-----------------------------------|--------------|
| 3 draps (1 très grand, 2 simples) | 9 tee-shirts |
| 4 taies d'oreiller | 9 shorts |
| 3 chemises | 10 mouchoirs |
| 3 chemisiers | |

Conseils pour le séchage et les programmes

Choisir le programme et le niveau de séchage ou la température corrects pour votre charge. Si un programme automatique est exécuté, l'affichage montre le temps estimé du programme lorsque votre sècheuse détecte automatiquement le niveau de séchage de votre charge. Si un programme manuel est exécuté, l'affichage montre le nombre exact de minutes qui restent dans le programme.

La période Cool Down (refroidissement) fait culbuter la charge sans chaleur au cours des quelques dernières minutes de tous les programmes. La période de refroidissement rend plus facile la manutention des charges et réduit le froissement. La durée de la période de refroidissement dépend de la quantité de la charge et du niveau de séchage.

Conseils de séchage

- Suivre les directives sur l'étiquette lorsqu'elles sont disponibles.
- Ajouter une feuille d'assouplissant de tissus, si désiré. Suivre les instructions sur l'emballage.
- Retirer la charge de la sècheuse aussitôt que le culbutage cesse pour réduire le froissement. Cette action est particulièrement importante pour les tissus à pressage permanent, tricotés et tissus synthétiques.
- Éviter de faire sécher des vêtements de travail lourds avec des tissus plus légers. Cette action pourrait causer un séchage excessif des tissus légers, contribuant à un rétrécissement ou à un froissement plus prononcé.

Conseils pour les programmes

- Faire sécher la plupart des charges en utilisant les réglages de programmes pré-réglés.
- Se référer aux tableaux de Réglages de programmes automatiques ou manuels pré-réglés (dans la section "Programmes") pour des directives sur le séchage de diverses charges.
 - La température de séchage et le niveau de séchage sont pré-réglés lorsqu'on choisit un programme automatique. On peut choisir un niveau différent de séchage, selon la charge en appuyant sur le bouton DRYNESS LEVEL (niveau de séchage) pour choisir MORE (plus) ou LESS (moins).
 - Si on désire ajuster la durée d'un programme manuel, il faut appuyer sur les boutons (- ou +) de MANUAL DRY TIME (durée de séchage manuel). Ajuster la température d'un programme manuel en appuyant sur TEMP jusqu'à ce que la température désirée soit sélectionnée.

REMARQUE : On ne peut pas choisir un niveau de séchage avec les programmes manuels.

Témoins lumineux

On peut suivre le progrès de la sècheuse avec les témoins indicateurs du degré de séchage.

- Sensing
- Wet
- Damp
- Cool Down
- Cycle Complete
- Extra Care
- Control Locked

Sensing (détection)

Lors de la mise en marche initiale de la sècheuse, le témoin SENSING s'allume jusqu'à la détection d'un article mouillé.

- Dans un programme automatique, si un article mouillé n'a pas été détecté en deçà de 10 minutes, le témoin Sensing s'éteint et la sècheuse s'arrête.
- Dans un programme manuel, si un article mouillé n'a pas été détecté au bout de 10 minutes, le témoin Wet (mouillé) s'allume et le programme sélectionné continue.

Wet (mouillé)

Le témoin WET s'allume lorsqu'un article mouillé a été détecté dans la sècheuse. Le témoin Wet reste allumé jusqu'à ce que :

- Le point de séchage humide soit atteint dans un programme automatique.
- La sècheuse commence la période de refroidissement dans un programme manuel.

Damp (humide)

Le témoin DAMP indique que la charge a atteint le degré de séchage humide.

REMARQUE : Le témoin Damp n'est pas utilisé avec les programmes manuels.

Cool Down (refroidissement)

Le témoin COOL DOWN s'allume pendant la période de refroidissement du programme. La charge se refroidit pour en faciliter la manipulation.

Cycle Complete (programme terminé)

Ce témoin s'allume lorsqu'un programme de séchage est terminé. Si la caractéristique Extra Care (ultra soin) a été sélectionnée, le témoin Extra Care s'allume également.

Le témoin Cycle Complete s'éteint une heure après la fin d'un programme de séchage (y compris le programme Extra Care de 2 heures), lorsqu'on appuie sur Off (arrêt) ou lorsque la porte est ouverte.

Caractéristique Extra Care (ultra soin)

Le témoin de la caractéristique EXTRA CARE s'allume lorsque cette option est sélectionnée. Cet indicateur reste allumé avec le témoin Cycle Complete.

Control Locked (verrouillage des commandes)

Le témoin CONTROL LOCKED s'allume lorsque cette option est activée.

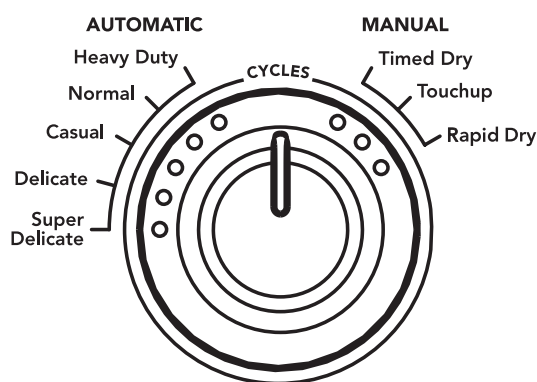
Témoins lumineux

D'autres témoins lumineux sur le tableau de commande indiquent les réglages de programmes, de température et de signal de fin de programme sélectionnés.

La durée affichée indique la durée résiduelle prévue ou réelle dans un programme.

Programmes

Sélectionner le programme de séchage qui correspond au type de charge à sécher (voir les tableaux des programmes pré-réglés manuels ou automatiques).



Bouton de commande des programmes

Programmes automatiques

Les programmes automatiques permettent d'assortir le programme à la charge à sécher. Voir le tableau suivant "Réglages des programmes automatiques pré-réglés". Chaque programme sèche certains tissus à la température recommandée. Un capteur détecte l'humidité de la charge et règle automatiquement la durée pour un séchage optimal.

Heavy Duty (service intense)

Utiliser ce programme pour le séchage à chaleur élevée des tissus épais tels que les serviettes ou couvre-lits en coton.

Normal

Utiliser ce programme pour le séchage à température moyenne des tissus robustes tels que les vêtements de travail.

Casual (tout-aller)

Utiliser ce programme pour le séchage à température moyenne des tissus sans repassage tels que les chemises sport, les vêtements de travail tout-aller et les mélanges de tissus à pressage permanent.

Delicate (tissus délicats)

Utiliser ce programme pour le séchage à température basse des tissus synthétiques, tricotés lavables et tissus sans repassage.

Super Delicate (tissus super délicats)

Utiliser ce programme pour le séchage à température extra basse des articles tels que lingerie, vêtements de gymnastique ou voilages.

Réglages des programmes automatiques pré-réglés

| Programmes automatiques Type de charge | Temp. | Durée* (Minutes) |
|---|-------------|---------------------|
| HEAVY DUTY (service intense) Articles lourds, serviettes | Élevée | 40 |
| NORMAL Velours côtelé, vêtements de travail | Moyenne | 34 |
| CASUAL (tout-aller) Pressage permanent, synthétiques | Moyenne | 36 |
| DELICATE (tissus délicats) Lingerie, chemisiers, lainages lavables | Basse | 28 |
| SUPER DELICATE (tissus super délicats) Vêtements de gymnastique, voilages, dentelle | Extra basse | 22 |

*Durée prévue avec réglage de niveau de séchage (moyen).

Programmes manuels

Utiliser les programmes manuels pour sélectionner une durée de séchage précise et une température de séchage. Lors de la sélection d'un programme manuel, l'affichage de ESTIMATED TIME REMAINING (durée résiduelle prévue) montre la durée résiduelle réelle du programme. Il est possible de modifier la durée du programme en appuyant sur les boutons (- ou +) de durée de séchage manuel.

Timed Dry (séchage minuté)

Utiliser ce programme pour compléter le séchage si des articles sont encore humides après un programme automatique. Le séchage minuté est également utile pour le séchage d'articles lourds et encombrants tels que les couvre-lits et vêtements de travail.

Touchup (rafraîchissement)

Utiliser cette option pour éliminer les faux plis des articles tels que les vêtements qui ont séjourné dans une valise ou les articles qui sont restés trop longtemps dans la sècheuse à l'arrêt.

Rapid Dry (séchage rapide)

Utiliser ce programme pour sécher les petites charges ou les articles qui requièrent un temps de séchage court.

Réglages des programmes manuels pré-réglés

| Programmes manuels Type de charge | Temp. | Durée réglée (Minutes) |
|---|---------|---------------------------|
| TIMED DRY (séchage minuté) Articles lourds et encombrants, couvre-lits, vêtements de travail | Élevée | 40 |
| TOUCHUP (rafraîchissement) Enlève les faux plis | Moyenne | 20 |
| RAPID DRY (séchage rapide) Petites charges | Élevée | 27 |

Caractéristiques supplémentaires

Caractéristique Extra Care (ultra soin)

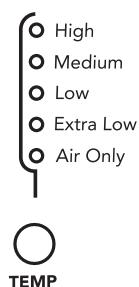
Lorsqu'on ne peut pas enlever une charge de la sècheuse dès qu'elle s'arrête, des faux plis peuvent se former. La caractéristique de soin particulier fait culbuter la charge périodiquement, la réarrange et l'aère pour réduire les faux plis.

- Appuyer sur la caractéristique Extra Care pour obtenir jusqu'à 120 minutes de culbutage périodique sans chaleur à la fin du programme.
- Arrêter le programme à tout moment en appuyant sur Extra Care ou en ouvrant la porte de la sècheuse.
- Pour le programme Casual (tout-aller), la caractéristique Extra Care est pré-réglée à "On" (marche). Les autres programmes automatiques conservent le réglage de la caractéristique Extra Care. (Par exemple, si on sélectionne la caractéristique Extra Care dans le programme Normal, elle sera activée la prochaine fois que ce programme sera sélectionné.)

REMARQUE : Lorsqu'on ne choisit pas la caractéristique Extra Care, la sècheuse s'arrête après la période de refroidissement.

Temperature (température)

Les réglages de température sont utilisés avec les programmes manuels. Appuyer sur TEMP jusqu'à ce que le réglage de température désiré s'allume. Les réglages de température ne peuvent pas être utilisés avec les programmes automatiques.



Air Only (air seulement)

Utiliser le réglage Air seulement pour les articles qui doivent être séchés sans chaleur, tels que le caoutchouc, le plastique et les tissus sensibles à la chaleur. Ce tableau donne des exemples d'articles qui peuvent être séchés au réglage Air seulement.

| Type de charge | Durée* (Minutes) |
|---|---------------------|
| Caoutchouc mousse – oreillers, soutiens-gorge rembourrés, jouets rembourrés | 20 - 30 |
| Plastique – rideaux de douche, nappes | 20 - 30 |
| Tapis renforcés de caoutchouc | 40 - 50 |
| Plastique oléfinique, polypropylène, nylon diaphane | 10 - 20 |

*Régler de nouveau la durée pour compléter le séchage, si nécessaire.

Utilisation du réglage Air seulement

- Vérifier que les revêtements sont bien cousus.
- Secouer et faire bouffer les oreillers à la main périodiquement pendant le programme.
- Sécher l'article complètement. Les oreillers en caoutchouc mousse sont lents à sécher.

REMARQUE : Les programmes automatiques ne sont pas disponibles lors de l'utilisation du réglage Air Only (Air seulement).

Cycle End Signal (signal de fin de programme)

La sècheuse émet un signal sonore qui indique la fin du programme. Sortir rapidement les vêtements à la fin du programme réduit le froissement.



Appuyer momentanément sur CYCLE END SIGNAL pour régler la sonorité ou désactiver le signal.

REMARQUE : Lorsqu'on choisit Extra Care et que le signal de fin de programme est activé, un signal sonore est émis à intervalles de 5 minutes jusqu'à ce qu'on sorte les vêtements de la sècheuse, ou jusqu'à ce que le programme Extra Care soit terminé.

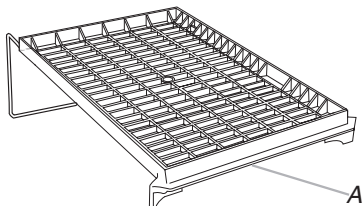
Grille de séchage

La grille de séchage est utile pour sécher les articles que l'on ne ferait pas nécessairement sécher par culbutage ou que l'on ferait normalement sécher sur une corde à linge (par exemple, les chandails).

Utilisation de la grille de séchage

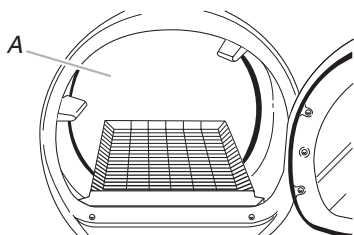
Ne pas retirer le filtre à charpie.

1. Ouvrir la porte de la sècheuse.



A. Bord avant

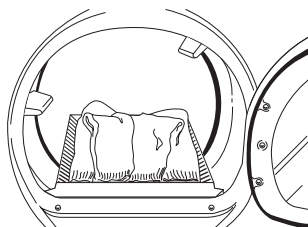
2. Placer la grille de séchage dans le tambour de la sècheuse en positionnant la broche arrière sur le rebord du panneau interne arrière de la sècheuse. Baisser le bord avant de la grille de séchage pour bien la fixer par-dessus le filtre à charpie.



A. Panneau arrière de la sècheuse

3. Placer les articles mouillés sur la grille de séchage. Laisser de l'espace entre les articles pour que l'air puisse atteindre toutes les surfaces.

REMARQUE : Ne pas laisser un article pendre par-dessus le bord de la grille.



4. Fermer la porte.
5. Sélectionner un programme de séchage minuté et une température ou un programme de séchage à l'air (voir le tableau suivant). Les articles contenant de la mousse, du caoutchouc ou du plastique doivent être séchés sur une corde à linge ou au moyen du réglage de séchage à Air Only (Air seulement).
6. Il faut sélectionner une durée de séchage en appuyant sur les touches (- ou +) de la MANUAL DRY TIME (durée de séchage manuel). Régler de nouveau la durée au besoin pour compléter le séchage. Se référer au tableau suivant.
7. Appuyer environ 1 seconde sur le bouton HOLD TO START (appuyer sans relâcher pour mettre en marche).

REMARQUE : Vous devez enlever la grille pour le culbutage normal. Ne pas utiliser les programmes automatiques avec la grille de séchage.

Ce tableau montre des exemples d'articles qui peuvent être séchés sur une grille et indique le programme, le réglage de température et la durée de séchage suggérés. La durée de séchage réelle dépendra du degré d'humidité retenue dans les articles.

| Séchage sur grille (Rack Dry) | Réglage | Temp. | Durée* |
|---|----------------|------------------------------|--------|
| Chandails en laine Étirer à la taille normale et étaler à plat sur la grille. | Séchage minuté | Basse | 60 |
| Jouets rembourrés ou oreillers Rembourrage de coton ou de polyester | Séchage minuté | Basse | 60 |
| Jouets rembourrés ou oreillers Rembourrage en caoutchouc mousse | Séchage minuté | Air seulement (sans chaleur) | 90 |
| Chaussures de tennis ou de toile | Séchage minuté | Air seulement (sans chaleur) | 90 |

*(Minutes) Régler de nouveau la durée pour compléter le séchage, si nécessaire.

ENTRETIEN DE LA SÈCHEUSE

Nettoyage de l'emplacement de la sècheuse

Éviter de laisser des éléments qui pourraient obstruer le débit de combustion et empêcher une bonne ventilation autour de la sècheuse.

⚠ AVERTISSEMENT



Risque d'explosion

Garder les matières et les vapeurs inflammables, telle que l'essence, loin de la sècheuse.

Placer la sècheuse au moins 46 cm (18 po) au-dessus du plancher pour une installation dans un garage.

Le non-respect de ces instructions peut causer un décès, une explosion ou un incendie.

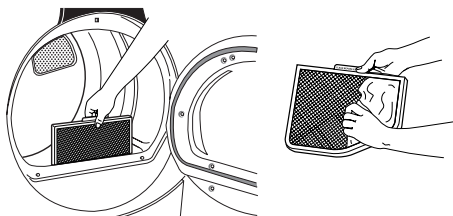
Nettoyage du filtre à charpie

Nettoyage à chaque charge

Le filtre à charpie se trouve dans la porte de la sècheuse. Le nettoyer avant ou après chaque charge. Un filtre obstrué de charpie peut augmenter le temps de séchage.

Nettoyage

1. Enlever le filtre à charpie en le tirant directement vers le haut. Enlever la charpie du filtre en la roulant avec les doigts. Ne pas rincer ni laver le filtre pour enlever la charpie. La charpie mouillée s'enlève difficilement.



2. Remettre le filtre à charpie fermement en place.

IMPORTANT :

- Ne pas faire fonctionner la sècheuse avec un filtre à charpie déplacé, endommagé, bloqué ou manquant. Une telle action peut causer un échauffement ou des dommages pour la sècheuse et les tissus.
- Certaines serviettes en fibres synthétiques et en fibres naturelles (mélange de polyester et de coton) peuvent produire plus de charpie que les autres serviettes, de telle sorte que le filtre à charpie de la sècheuse se remplit plus rapidement. Veiller à enlever la charpie du filtre avant et après le séchage des serviettes neuves.
- Si de la charpie tombe dans la sècheuse au moment du retrait du filtre, vérifier le conduit d'évacuation et retirer la charpie. Voir "Exigences concernant l'évacuation".

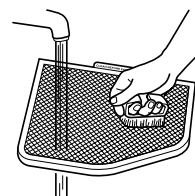
Nettoyage au besoin

Les détergents et les assouplissants de tissu peuvent causer une accumulation de résidus sur le filtre à charpie. Cette accumulation peut augmenter les temps de séchage ou entraîner un arrêt de la sècheuse avant que la charge ne soit sèche. Si de la charpie tombe du filtre, le filtre est probablement encrassé.

Nettoyer le filtre à charpie avec une brosse en nylon tous les 6 mois ou plus fréquemment s'il devient obstrué par suite d'une accumulation de résidus.

Lavage

1. Enlever la charpie du filtre en la roulant avec les doigts.
2. Mouiller les deux côtés du filtre à charpie avec de l'eau chaude.
3. Mouiller une brosse en nylon avec de l'eau chaude et du détergent liquide; frotter le filtre avec la brosse pour enlever l'accumulation de résidus.



4. Rincer le filtre à l'eau chaude.
5. Bien sécher le filtre à charpie avec une serviette propre. Replacer le filtre dans la sècheuse.

Nettoyage de l'intérieur de la sècheuse

Nettoyage du tambour de la sècheuse

1. Préparer une pâte avec un détergent à lessive en poudre et de l'eau très chaude.
2. Appliquer la pâte sur un linge doux.

OU

Verser un nettoyant liquide domestique ininflammable sur la surface tachée et frotter avec un linge doux jusqu'à ce que toute la teinture et les taches soient enlevées.

3. Essuyer complètement le tambour avec un linge humide.
4. Faire culbuter une charge de linge ou de serviettes propres pour sécher le tambour.

REMARQUE : Les vêtements contenant des teintures instables, tels que jeans en denim ou articles en coton de couleur, peuvent décolorer l'intérieur de la sècheuse. Ces taches ne sont pas nuisibles à votre sècheuse et ne tacheront pas les vêtements dans les charges futures. Faire sécher les articles fabriqués d'une teinture instable en les tournant à l'envers pour empêcher le transfert de la teinture.

Retrait de la charpie accumulée

Dans la caisse de la sècheuse

Il faut retirer la charpie accumulée dans la caisse de la sècheuse tous les 2 ans ou plus souvent, selon l'utilisation de la sècheuse. Le nettoyage devrait être fait par une personne qualifiée.

Dans le conduit d'évacuation

La charpie devrait être nettoyée tous les 2 ans ou plus souvent, selon l'utilisation de la sècheuse.

Précautions à prendre pour les vacances et avant un déménagement

Période de vacances

On ne doit faire fonctionner la sècheuse que lorsqu'on est sur place. Si l'utilisateur doit partir en vacances ou n'utilise pas la sècheuse pendant une période prolongée, il convient d'exécuter les opérations suivantes :

1. Débrancher la sècheuse ou déconnecter la source de courant électrique.
2. Nettoyer le filtre à charpie. Voir "Nettoyage du filtre à charpie".

Précautions à prendre avant un déménagement

⚠ AVERTISSEMENT



Risque de choc électrique

Déconnecter la source de courant électrique avant l'entretien.

Replacer pièces et panneaux avant de faire la remise en marche.

Le non-respect de ces instructions peut causer un décès ou un choc électrique.

1. Débrancher la sècheuse ou déconnecter la source de courant électrique.
 2. Veiller à ce que les pieds de nivellement soient fixés solidement à la base de la sècheuse.
 3. Utiliser du ruban masque pour fixer la porte de la sècheuse.
-

Changement de l'ampoule d'éclairage du tambour

La lumière de la sècheuse s'allume automatiquement à l'intérieur du tambour lorsqu'on ouvre la porte.

Changement de l'ampoule du tambour

1. Débrancher la sècheuse ou déconnecter la source de courant électrique.
2. Ouvrir la porte de la sècheuse. Trouver le couvercle de l'ampoule d'éclairage sur la paroi arrière de la sècheuse. Enlever la vis située au coin inférieur droit du couvercle. Enlever le couvercle.
3. Tourner l'ampoule dans le sens antihoraire. Remplacer l'ampoule seulement par une ampoule de 10 watts pour appareil électroménager. Réinstaller le couvercle et le fixer avec la vis.
4. Brancher la sècheuse ou reconnecter la source de courant électrique.

DÉPANNAGE

Essayer d'abord les solutions suggérées ici; elles pourraient vous éviter le coût d'une visite de service...

La sècheuse affiche un message codé

- **“PF” (panne de courant), vérifier ce qui suit :**
Le programme de séchage a-t-il été interrompu par une panne de courant?
Appuyer (sans relâcher) sur HOLD TO START (appuyer sans relâcher pour mettre en marche) pour remettre la sècheuse en marche.
- **Codes de service “E” variables (E1, E2, E3) :**
Faire un appel de service.

Séchage insatisfaisant des vêtements

- **Vérifier ce qui suit :**
Le filtre à charpie est-il obstrué de charpie?
Le conduit ou la hotte d'évacuation à l'extérieur sont-ils obstrués de charpie qui restreint le mouvement de l'air? Faire fonctionner la sècheuse pendant 5 à 10 minutes. Tenir la main sous la hotte d'évacuation à l'extérieur pour vérifier le déplacement de l'air. Si on ne sent pas de déplacement d'air, enlever la charpie du système d'évacuation ou remplacer le conduit d'évacuation par un conduit métallique rigide ou métal souple. Voir les “Instructions d'installation”.
Le conduit d'évacuation est-il écrasé ou déformé? Le remplacer par un conduit en métal rigide ou en métal souple. Voir les “Instructions d'installation”.
Un fusible est-il grillé ou un disjoncteur s'est-il ouvert? Les sècheuses électriques emploient 2 fusibles ou disjoncteurs. Le tambour peut tourner, mais il n'y a pas de chaleur.
A-t-on choisi un programme de séchage à l'air? Choisir le bon programme pour le type de vêtements à faire sécher. Voir “Programmes”.
Le programme automatique se termine-t-il trop tôt? La charge n'entre peut-être pas en contact avec les bandelettes à détecteur électronique. Mettre la sècheuse d'aplomb.
Des feuilles d'assouplissant de tissu bloquent-elles la grille? N'utiliser qu'une seule feuille d'assouplissant et ne l'utiliser qu'une seule fois.
- **La sècheuse se trouve-t-elle dans une pièce où la température ambiante est inférieure à 45°F (7°C)?**
Le bon fonctionnement des programmes de la sècheuse nécessite une température ambiante supérieure à 45°F (7°C).
- **A-t-on utilisé un rinçage à l'eau froide? La charge était-elle très mouillée?**
Prévoir des durées de séchage plus longues avec les articles rincés à l'eau froide et ceux qui retiennent l'humidité (cotons).
- **La charge est-elle trop considérable ou trop lourde pour un séchage rapide?**
Séparer la charge pour que les vêtements culbutent librement.

La sècheuse ne fonctionne pas

- **Vérifier ce qui suit :**
Le cordon d'alimentation est-il branché?
Un fusible est-il grillé ou un disjoncteur s'est-il ouvert?
Utilise-t-on un fusible régulier? Utiliser un fusible temporisé.
La porte de la sècheuse est-elle bien fermée? Si non, l'affichage de la durée clignotera.
A-t-on appuyé fermement sur HOLD TO START pendant au moins 1 seconde?
A-t-on choisi un programme?

Sons inhabituels

- **La sècheuse est-elle restée hors service pendant un certain temps?**
Si la sècheuse n'a pas été utilisée pendant un certain temps, il est possible qu'on entende un bruit de cognement au cours des premières minutes de fonctionnement.

Charpie sur la charge

- **Le filtre à charpie est-il obstrué?**
Nettoyer le filtre à charpie. Vérifier la circulation de l'air.
- **La charge est-elle bien triée?**
Trier le linge qui produit de la charpie (serviettes, chenille) du linge qui en recueille (velours côtelé, tissus synthétiques). Trier aussi les couleurs.
- **La charge est-elle trop considérable ou trop lourde?**
Faire sécher des charges plus petites de telle sorte que la charpie soit dirigée vers le filtre à charpie.
- **La charge a-t-elle été séchée à l'excès?**
Choisir le bon réglage de séchage pour le type de charge. Voir “Programmes”. Un séchage excessif peut provoquer de l'électricité statique, attirant la charpie.
- **A-t-on laissé du papier ou des mouchoirs en papier dans les poches?**
- **Prend-on le boulochage pour de la charpie?**
Le boulochage (surface boulochée) est causé par l'usure normale et le lavage.

Présence de taches sur les vêtements ou décoloration

- **L'assouplissant de tissu pour sècheuse a-t-il été utilisé de façon appropriée?**
Ajouter les feuilles d'assouplissant de tissu pour sècheuse au début du programme lorsque le linge est encore froid. Ne pas ajouter de feuilles d'assouplissant de tissu à une charge chaude.
- **A-t-on placé des articles sales dans la sècheuse?**
Les articles doivent être lavés avant d'être séchés.
- **Les articles ont-ils été triés correctement?**
Séparer les articles de couleur pâle des articles de couleur foncée. Trier les couleurs grand teint des couleurs qui déteignent.

Rétrécissement des articles

- **La sècheuse a-t-elle été surchargée?**
Faire sécher de plus petites charges qui peuvent culbuter librement.
- **Le linge a-t-il été séché à l'excès?**
Vérifier l'étiquette d'entretien des vêtements du fabricant. Faire correspondre le réglage de la sècheuse au type de charge. Voir "Programmes".

Linge froissé

- **A-t-on sorti le linge de la sècheuse dès la fin du programme?**
- **La sècheuse a-t-elle été surchargée?**
Faire sécher de plus petites charges qui peuvent culbuter librement.
- **Le linge a-t-il été séché à l'excès?**
Vérifier l'étiquette d'entretien des vêtements du fabricant. Faire correspondre le réglage de la sècheuse au type de charge. Voir "Programmes".

Odeurs

- **A-t-on récemment utilisé de la peinture, de la teinture ou du vernis dans la pièce où se trouve la sècheuse?**
Si c'est le cas, aérer la pièce. Une fois les odeurs ou émanations disparues, laver et sécher à nouveau les vêtements.
- **La sècheuse est-elle utilisée pour la première fois?**
L'élément de chauffage électrique neuf peut produire une certaine odeur. L'odeur disparaîtra après le premier programme.

Vêtements endommagés

- **Vérifier ce qui suit :**
Les fermetures à glissière, les boutons pression et les agrafes ont-ils été laissés ouverts?

A-t-on attaché les cordons et ceintures écharpes pour éviter qu'ils ne s'em mêlent?

A-t-on suivi les instructions d'entretien des vêtements sur l'étiquette du fabricant?

Les articles ont-ils été endommagés avant le séchage?

ASSISTANCE OU SERVICE

Avant de faire un appel pour assistance ou service, consulter la section "Dépannage". Ce guide peut vous faire économiser le coût d'une visite de service. Si vous avez encore besoin d'aide, suivre les instructions ci-dessous.

Lors d'un appel, veuillez connaître la date d'achat, le numéro de modèle et le numéro de série au complet de l'appareil. Ces renseignements nous aideront à mieux répondre à votre demande.

Si vous avez besoin de pièces de rechange

Si vous avez besoin de commander des pièces de rechange, nous vous recommandons d'employer uniquement des pièces d'origine. Les pièces d'origine fonctionneront bien parce qu'elles sont fabriquées avec la même précision que celles utilisées dans la fabrication de chaque nouvel appareil KITCHENAID®.

Pour obtenir des pièces d'origine dans votre région, composez le numéro de téléphone de notre Centre d'interaction avec la clientèle ou avec le centre de service désigné de KitchenAid le plus proche.

Pour des questions relatives aux produits, veuillez appeler sans frais le Centre d'interaction avec la clientèle de KitchenAid Canada au : **1-800-461-5681**

Lundi à vendredi 8 h - 18 h (HNE).

Samedi 8 h 30 - 16 h 30 (HNE).

Nos consultants vous renseigneront sur les sujets suivants :

- Caractéristiques et spécifications sur toute notre gamme d'appareils électroménagers.
- Références aux marchands locaux.

Pour pièces, accessoires et service

Composer le **1-800-807-6777**. Les techniciens de service désignés par KitchenAid Canada sont formés pour remplir la garantie des produits et fournir un service après la garantie, partout au Canada.

Pour plus d'assistance

Si vous avez besoin de plus d'assistance, vous pouvez soumettre par écrit toute question ou préoccupation à KitchenAid Canada à l'adresse suivante :

Centre d'interaction avec la clientèle
KitchenAid Canada
1901 Minnesota Court
Mississauga, Ontario L5N 3A7

Veuillez inclure dans votre correspondance un numéro de téléphone où on peut vous joindre dans la journée.

GARANTIE DE LA SÉCHEUSE KITCHENAID®

GARANTIE COMPLÈTE DE DEUX ANS

Pendant deux ans à compter de la date d'achat, lorsque cette sècheuse est utilisée et entretenue conformément aux instructions fournies avec le produit, KitchenAid paiera pour les pièces de rechange d'origine et les frais de main-d'oeuvre pour corriger les vices de matériaux ou de fabrication. Le service doit être fourni par une compagnie de service désignée par KitchenAid.

GARANTIE LIMITÉE DE LA TROISIÈME À LA CINQUIÈME ANNÉE INCLUSIVEMENT SUR LES TABLEAUX DE COMMANDE ÉLECTRONIQUES, L'ÉLÉMENT ÉLECTRIQUE, LE BRÛLEUR À GAZ, LE MOTEUR

De la troisième à la cinquième année inclusivement à compter de la date d'achat, lorsque cette sècheuse est utilisée et entretenue conformément aux instructions jointes ou fournies avec le produit, KitchenAid paiera pour les pièces de rechange d'origine pour les composants suivants, s'il existe des vices de matériaux ou de fabrication : les tableaux de commande électroniques, tout élément électrique sur les modèles électriques; tout brûleur sur les modèles à gaz; le remplacement du moteur.

GARANTIE LIMITÉE DE LA TROISIÈME À LA DIXIÈME ANNÉE INCLUSIVEMENT SUR LE TAMBOUR DE LA SÉCHEUSE, LE DESSUS ET LA CAISSE

De la troisième à la dixième année inclusivement à compter de la date d'achat, lorsque cette sècheuse est utilisée et entretenue conformément aux instructions jointes ou fournies avec le produit, KitchenAid paiera pour les pièces de rechange d'origine pour le tambour de la sècheuse et le dessus et la caisse s'ils rouillent par suite de vices de matériaux ou de fabrication.

KitchenAid Canada ne paiera pas pour :

1. Les visites de service pour rectifier l'installation de la sècheuse, y compris le système d'évacuation d'air. Un conduit d'évacuation en métal lourd de 4" (10,2 cm) doit être utilisé. Consulter la section Conduit d'évacuation et les instructions d'installation de ce manuel.
2. Les visites de service pour expliquer le fonctionnement de la sècheuse, pour remplacer des fusibles de la maison ou rectifier le câblage électrique ou réactiver les disjoncteurs ou pour remplacer les ampoules d'éclairage accessibles au propriétaire.
3. Les réparations lorsque la sècheuse est utilisée à des fins autres que l'usage unifamilial normal.
4. Les dommages imputables à : accident, modification, mésusage, abus, incendie, inondation, actes de Dieu, mauvaise installation (y compris mais non limitée à des conduits d'évacuation en plastique ou en feuille de métal), une installation non conforme aux codes locaux d'électricité et de plomberie, ou l'utilisation d'un produit non approuvé par KitchenAid Canada.
5. Le coût des pièces de rechange ou les frais de main-d'oeuvre pour les appareils utilisés en dehors du Canada.
6. Le ramassage et la livraison. Le produit est conçu pour être réparé à domicile.
7. Les réparations aux pièces ou systèmes résultant d'une modification non autorisée faite à l'appareil.
8. Les frais de voyage ou de transport pour les clients qui habitent dans des régions éloignées.
9. Tous frais de main-d'oeuvre encourus durant les périodes de garantie limitée.

KITCHENAID CANADA N'ASSUME AUCUNE RESPONSABILITÉ POUR LES DOMMAGES FORTUITS OU INDIRECTS.

Certaines provinces ne permettent pas l'exclusion ou la limitation des dommages fortuits ou indirects de sorte que cette exclusion ou limitation peut ne pas être applicable dans votre cas. Cette garantie vous confère des droits juridiques spécifiques et vous pouvez également jouir d'autres droits qui peuvent varier d'une province à une autre.

À l'extérieur du Canada, cette garantie ne s'applique pas. Contacter votre marchand KitchenAid autorisé pour déterminer si une autre garantie s'applique.

Si vous avez besoin de service, voir d'abord "Dépannage". Une aide additionnelle peut être trouvée en vérifiant "Assistance ou service" ou en téléphonant à KitchenAid Canada au **1-800-807-6777**.

5/04

Conservez ce manuel et votre reçu de vente ensemble pour référence ultérieure. Pour le service sous garantie, vous devez présenter un document prouvant la date d'achat ou d'installation.

Inscrivez les renseignements suivants au sujet de votre sècheuse pour mieux obtenir assistance ou service en cas de besoin. Vous devrez connaître le numéro de modèle et le numéro de série au complet. Cette information est donnée sur la plaque signalétique indiquant le numéro de modèle et le numéro de série, située sur la partie supérieure de l'intérieur de la porte de la sècheuse.

Nom du marchand _____

Adresse _____

Numéro de téléphone _____

Numéro de modèle _____

Numéro de série _____

Date d'achat _____

8557328A

© 2004. All rights reserved.
Todos los derechos reservados.
Tous droits réservés.

® Registered Trademark/TM Trademark of KitchenAid, U.S.A., KitchenAid Canada licensee in Canada
® Marca Registrada/TM Marca de comercio de KitchenAid, U.S.A., usada en Canadá bajo licencia de KitchenAid Canada
® Marque déposée/TM Marque de commerce de KitchenAid, U.S.A., Emploi licencié par KitchenAid Canada au Canada

6/04
Printed in U.S.A.
Impreso en EE. UU.
Imprimé aux É.-U.

Free Manuals Download Website

<http://myh66.com>

<http://usermanuals.us>

<http://www.somanuals.com>

<http://www.4manuals.cc>

<http://www.manual-lib.com>

<http://www.404manual.com>

<http://www.luxmanual.com>

<http://aubethermostatmanual.com>

Golf course search by state

<http://golfingnear.com>

Email search by domain

<http://emailbydomain.com>

Auto manuals search

<http://auto.somanuals.com>

TV manuals search

<http://tv.somanuals.com>