



KCM0402  
Personal Coffee Maker  
Cafetières  
Cafetera

INSTRUCTIONS/INSTRUCTIONS/ISTRUCCIONES



WI0491893A

U.S.A.: 1-800-541-6390

Canada: 1-800-807-6777

FOR THE WAY IT'S MADE.®

[KitchenAid.com](http://KitchenAid.com)

[KitchenAid.ca](http://KitchenAid.ca)

# Table of Contents

Coffee Maker Safety .....	2
Proof of Purchase and Product Registration.....	3
Electrical Requirements .....	4
Coffee Maker Parts.....	5
Coffee Maker Features .....	6
Coffee Brewing Suggestions: Advice For Great Taste .....	6
Coffee Maker Use .....	7
Coffee Maker Care .....	8
Troubleshooting .....	8
Warranty .....	9

## Coffee Maker Safety

### Your safety and the safety of others are very important.

We have provided many important safety messages in this manual and on your appliance. Always read and obey all safety messages.



This is the safety alert symbol.

This symbol alerts you to potential hazards that can kill or hurt you and others.

All safety messages will follow the safety alert symbol and either the word "DANGER" or "WARNING." These words mean:

**! DANGER**

**You can be killed or seriously injured if you don't immediately follow instructions.**

**! WARNING**

**You can be killed or seriously injured if you don't follow instructions.**

All safety messages will tell you what the potential hazard is, tell you how to reduce the chance of injury, and tell you what can happen if the instructions are not followed.



**WARNING**  
RISK OF FIRE OR ELECTRIC SHOCK  
DO NOT OPEN



WARNING: TO REDUCE THE RISK OF FIRE OR ELECTRIC SHOCK, DO NOT REMOVE COVER (OR BACK).

NO USER-SERVICEABLE PARTS INSIDE.

REPAIR SHOULD BE DONE BY AUTHORIZED SERVICE PERSONNEL ONLY.

# IMPORTANT SAFEGUARDS

---

When using electrical appliances, basic safety precautions should always be followed, including the following:

1. Read all instructions.
2. Do not touch hot surfaces. Use handles or knobs.
3. To protect against electrical shock, do not immerse cord, plugs, or coffee maker in water or other liquid.
4. Close supervision is necessary when any appliance is used by or near children.
5. Unplug coffee maker from outlet when not in use and before cleaning. Allow to cool before putting on or taking off parts.
6. Do not operate any appliance with a damaged cord or plug or after the appliance malfunctions or has been damaged in any manner. Return appliance to the nearest Authorized Service Facility for examination, repair or adjustment.
7. The use of accessory attachments not recommended by the appliance manufacturer may cause injuries.
8. Do not use outdoors.
9. Do not let cord hang over edge of table or counter, or touch hot surfaces.
10. Do not place on or near a hot gas or electric burner, or in a heated oven.
11. Do not use appliance for other than intended use.
12. Do not use appliance without lid properly placed on container (travel mug).
13. The container (travel mug) is designed for use with this appliance. It must never be used on a range top or in a microwave oven.
14. Do not set a hot container (travel mug) on a wet or cold surface.
15. Do not clean container (travel mug) with abrasive cleaners, steel wool pads, or other abrasive material.
16. This product is designed for household use only.

## SAVE THESE INSTRUCTIONS

### Proof of Purchase and Product Registration

---

Always keep a copy of the sales receipt showing the date of purchase of your coffee maker. Proof of purchase will assure you of in-warranty service.

Before you use your coffee maker, please fill out and mail your product registration card packed with the unit. This card will enable us to contact you in the unlikely event of a product safety notification and assist us in complying with the provisions of the Consumer Product Safety Act. This card does not verify your warranty.

Please complete the following for your personal records:

**Model Number** \_\_\_\_\_

**Serial Number** \_\_\_\_\_

**Date Purchased** \_\_\_\_\_

**Store Name and Location** \_\_\_\_\_

# Electrical Requirements

## **! WARNING**



### **Electrical Shock Hazard**

**Plug into a grounded 3 prong outlet.**

**Do not remove ground prong.**

**Do not use an adapter.**

**Do not use an extension cord.**

**Failure to follow these instructions can result in death, fire, or electrical shock.**

Do not use an extension cord. If the power supply cord is too short, have a qualified electrician or serviceman install an outlet near the appliance.

A short power supply cord (or detachable power supply cord) should be used to reduce the risk resulting from becoming entangled in or tripping over a longer cord.

If a longer detachable power supply cord or extension cord is used:

- The marked electrical rating of the cord set or extension cord should be at least as great as the electrical rating of the appliance.
- The cord should be arranged so that it will not drape over the countertop or tabletop where it can be pulled on by children or tripped over unintentionally.

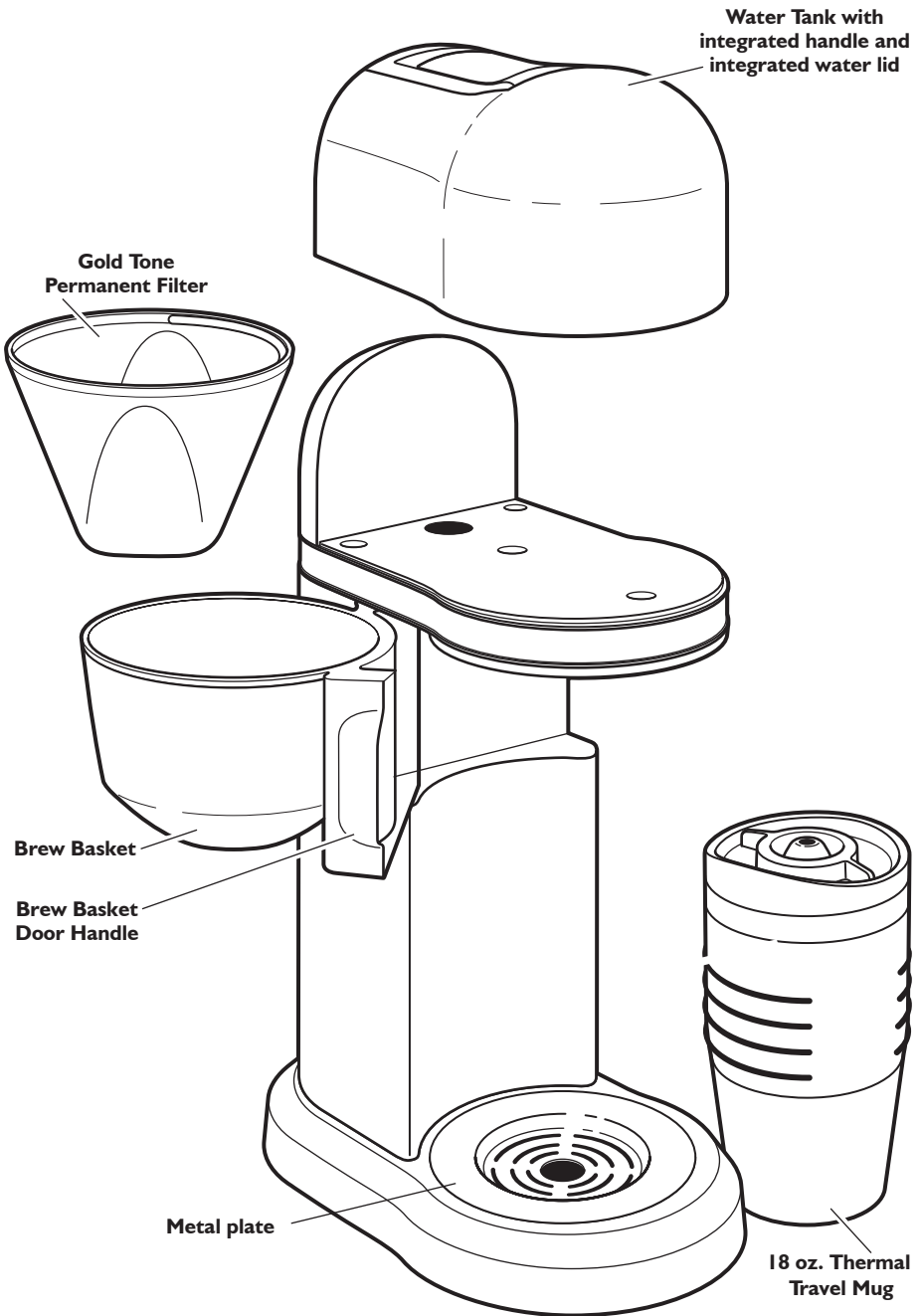
If the appliance is of the grounded type, the extension cord should be a grounding-type 3-wire cord.

Volts: 120 Volts AC only

Hertz: 60 Hz

**NOTE:** This coffee maker has a 3-prong grounded plug. To reduce the risk of electrical shock, this plug will fit in an outlet only one way. If the plug does not fit in the outlet, contact a qualified electrician. Do not modify the plug in any way.

# Coffee Maker Parts



# Coffee Maker Features

---

## **End-Of-Brewing Tone**

A tone sounds when coffee is finished brewing.

## **Brew Basket Door Handle**

Access the removable brew basket by pulling on the handle on the side of the coffee maker. The spring loaded door includes a latch to assure the door is closed completely.

## **Brew Basket**

The brew basket holds paper coffee filters or the Gold Tone permanent filter. The brew basket can be washed in the top rack of a dishwasher.

## **Gold Tone Permanent Filter**

The high-performance Gold Tone filter eliminates the need for paper coffee filters. Coffee maker can also use paper filters, if desired. The Gold Tone Filter can be washed in the top rack of a dishwasher.

## **Removable Water Tank**

The coffee maker features a convenient removable water tank. Remove the tank and add water directly. It is recommended that the tank be hand washed.

## **18 oz. Thermal Travel Mug**

The 18 oz. thermal travel mug features a comfortable soft grip and brushed stainless steel body. Travel mug must be washed by hand with soap and hot water.

## **Full-Length Cord Storage (not shown)**

Compartment in the back of the coffee maker keeps excess cord out of the way.

## **Heat Pump (not shown)**

Powerful heat pump brews rich, flavorful coffee.

## **Electronic Temperature Control**

Electronic temperature control regulates the powerful 700-watt heat pump to ensure consistent brewing every time.

## Coffee Brewing Suggestions: Advice For Great Taste

---

### **Fresh Coffee Beans**

Truly great coffee can only come from fresh coffee beans. To preserve the freshness of your beans, keep the beans in an opaque, airtight container and store them in a cool, dry place. Refrigeration is not recommended since condensation tends to form on the beans whenever the container is opened. Freezing can help preserve beans stored for an extended period, but it will also impair flavor.

### **The Right Grind**

The best cup of coffee comes from coffee beans that are properly ground just before brewing. When grinding, be sure to grind your coffee to a medium grind level, the appropriate grind for automatic drip coffee makers.

Look for the KitchenAid™ blade or burr coffee grinders at your local retailer or online at [www.KitchenAid.com](http://www.KitchenAid.com).

### **The Proper Amount of Ground Coffee**

A good starting point is 1-2 Tbsp. of coffee for every 6 oz. of brew water marked on the water tank. Finer grinds usually require less coffee but may also produce bitterness and clog the filter.

For weaker coffee, brew using the suggested ratio of coffee grounds and water, then dilute with hot water. This maximizes flavor and minimizes bitterness.

### **Brew Water Purity**

Great tasting coffee starts with fresh water. The removable water tank is easy to fill with water to give you great tasting coffee every time. It's also easy to clean so you can always make your coffee with the freshest water.

Where local water is extremely poor, you may wish to use bottled water. Do not use distilled water or mineral water since they can damage your coffee maker.

### **Coffee Maker Cleanliness**

Since the coffee oils that build up on the brew basket and carafe can go stale and impair the flavor of the brewed coffee, it's important that these two items are cleaned daily in order to make the best tasting coffee.

# Coffee Maker Use

## Pre-Use Cleaning

Wash the brew basket, Gold Tone permanent filter, and travel mug in hot, soapy water, then rinse with clean water and dry. Do not use abrasive cleansers or scouring pads.

## Brewing Coffee

**NOTE:** Brew one mug of fresh, cool water and discard before brewing the first mug of coffee (first time use only).

1. Remove the water tank and fill with enough fresh, cool water to make the desired amount of coffee. When replacing the tank, make sure to align it with the tab(s).

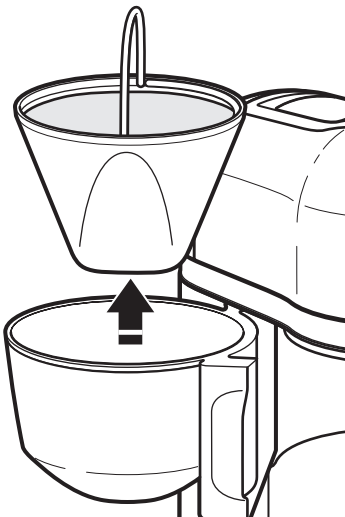
**NOTE:** The tank can be filled without removing the tank from the coffee maker.

2. After filling the water tank, place the thermal travel mug in the coffee maker.

To maximize coffee temperature, it is recommend that brew coffee with the lid already placed on the mug. Make sure that the lid is centered. You may also fill the mug with hot tap water for 30 seconds to preheat for hotter coffee temperatures.

**NOTE:** The coffee maker is capable of brewing into most tall-sided coffee mugs.

3. Open the brew basket door. Brew basket may be removed, but can be filled without removing it from the front of the coffee maker.



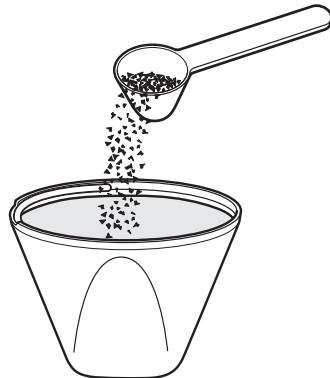
4. Insert a #2 Cone paper filter or the Gold Tone permanent filter into the brew basket.

**IMPORTANT:** Do not use both types of filters at the same time. Using both filters might cause water and coffee to overflow the brew basket.

5. Fill the filter with one level tablespoon of ground coffee for each 6 oz. desired. Use a medium grind appropriate for automatic drip coffee makers.

**NOTE:** Too fine a grind produces bitterness and may clog the coffee filter.

**IMPORTANT:** Always place the filter and coffee into the removable brew basket. Do not operate the coffee maker without the brew basket in place.



6. Even out the bed of coffee. If the brew basket is removed, place the mounting holes over the pins in the door and seat it securely in the door. Be sure the brew basket door is fully closed before brewing.

7. Press the ON button to begin brewing coffee.

8. The coffee maker will sound the end-of-brewing tone when brewing is complete.

**NOTE:** The outside of the travel mug will be hot to the touch after brewing.

9. Repeat this procedure to brew additional mugs of coffee. Always turn off the coffee maker and allow it to cool for 5 minutes before starting the next brew cycle.

# Coffee Maker Care

---

## Cleaning the Coffee Maker

1. Remove the brew basket and travel mug from the coffee maker.
2. Wash the brew basket and Gold Tone permanent filter in hot, soapy water and rinse with hot water. Do not use abrasive cleansers or scouring pads. These parts can also be washed in the upper rack of a dishwasher.
3. Unplug the coffee maker and wipe the housing with a warm, soapy cloth. Then wipe clean with damp cloth and dry with a soft cloth. Do not use abrasive cleansers or scouring pads.

## Descaling the Coffee Maker

Calcium deposits (scale) from water will build up in the coffee maker heat pump over time and impair brewing efficiency and coffee quality. Descaling should be done to preserve the performance and life of your coffee maker.

The coffee maker can be descaled using a packaged descaling agent or vinegar. Always mix the descaling solution using cool water.

- When using vinegar, fill the mug with a solution consisting of  $\frac{1}{2}$  vinegar and  $\frac{1}{2}$  water.
1. Before descaling, always make sure the brew basket contains no coffee or coffee filters.
  2. Run the coffee maker through a complete brewing cycle using a full tank of the descaling solution or the vinegar mixture. Press the ON button to start the brewing cycle.
  3. Rinse the coffee maker by running it through 2 brewing cycles using a full water tank of fresh, cool water each time.
  4. Wash the brew basket in hot, soapy water and rinse with hot water. The brew basket can also be washed in the upper rack of the dishwasher.
- When using a descaling agent, follow the directions on the package for the recommended amounts of descaling agent and water to use.

# Troubleshooting

---

- **If only a portion of the water added to the coffee maker actually brews:** The coffee maker requires immediate descaling. Please refer to “Descaling the Coffee Maker” in the “Coffee Maker Care” section.
- **If the problem cannot be corrected:** See the KitchenAid warranty section. Do not return the coffee maker to the retailer; retailers do not provide service.



# KitchenAid® Coffee Maker Warranty for the 50 United States, the District of Columbia, Puerto Rico, and Canada

This warranty extends to the purchaser and any succeeding owner for Coffee Makers operated in the 50 United States, the District of Columbia, Puerto Rico, and Canada.

ENGLISH

<b>Length of Warranty:</b>	One Year Full Warranty from date of purchase.
<b>KitchenAid Will Pay for Your Choice of:</b>	<p>Hassle-Free Replacement of your Coffee Maker. See the next page for details on how to arrange for service, or call the Customer eXperience Center toll-free at <b>1-800-541-6390</b>.</p> <p>OR</p> <p>The replacement parts and repair labor costs to correct defects in materials and workmanship. Service must be provided by an Authorized KitchenAid Service Center.</p>
<b>KitchenAid Will Not Pay for:</b>	<ul style="list-style-type: none"> <li><b>A.</b> Repairs when Coffee Maker is used in other than normal single family home use.</li> <li><b>B.</b> Damage resulting from accident, alteration, misuse or abuse.</li> <li><b>C.</b> Any shipping or handling costs to deliver your Coffee Maker to an Authorized Service Center.</li> <li><b>D.</b> Replacement parts or repair labor costs for Coffee Makers operated outside the 50 United States, District of Columbia, Puerto Rico, and Canada.</li> </ul>
<p><b>DISCLAIMER OF IMPLIED WARRANTIES; LIMITATION OF REMEDIES</b></p> <p>IMPLIED WARRANTIES, INCLUDING TO THE EXTENT APPLICABLE WARRANTIES OF MERCHANTABILITY OR FITNESS FOR A PARTICULAR PURPOSE, ARE EXCLUDED TO THE EXTENT LEGALLY PERMISSIBLE. ANY IMPLIED WARRANTIES THAT MAY BE IMPOSED BY LAW ARE LIMITED TO ONE YEAR, OR THE SHORTEST PERIOD ALLOWED BY LAW. SOME STATES AND PROVINCES DO NOT ALLOW LIMITATIONS OR EXCLUSIONS ON HOW LONG AN IMPLIED WARRANTY OF MERCHANTABILITY OR FITNESS LASTS, SO THE ABOVE LIMITATIONS OR EXCLUSIONS MAY NOT APPLY TO YOU.</p> <p>IF THIS PRODUCT FAILS TO WORK AS WARRANTED, CUSTOMER'S SOLE AND EXCLUSIVE REMEDY SHALL BE REPAIR OR REPLACEMENT ACCORDING TO THE TERMS OF THIS LIMITED WARRANTY. KITCHENAID AND KITCHENAID CANADA DO NOT ASSUME ANY RESPONSIBILITY FOR INCIDENTAL OR CONSEQUENTIAL DAMAGES. This warranty gives you specific legal rights and you may also have other rights which vary from state to state or province to province.</p>	



## Hassle-Free Replacement Warranty – 50 United States, District of Columbia, and Puerto Rico

---

We're so confident the quality of our products meets the exacting standards of KitchenAid that, if your Coffee Maker should fail within the first year of ownership, KitchenAid will arrange to deliver an identical or comparable replacement to your door free of charge and arrange to have your original Coffee Maker returned to us. Your replacement unit will also be covered by our one year limited warranty. Please follow these instructions to receive this quality service.

If your Coffee Maker should fail within the first year of ownership, simply call our

toll-free Customer eXperience Center at **1-800-541-6390** Monday through Friday. Please have your original sales receipt available when you call. Proof of purchase will be required to initiate the claim. Give the consultant your complete shipping address. (No P.O. Box numbers, please.)

When you receive your replacement Coffee Maker, use the carton and packing materials to pack up your original Coffee Maker. In the carton, include your name and address on a sheet of paper along with a copy of the proof of purchase (register receipt, credit card slip, etc.).

## Hassle-Free Replacement Warranty – Canada

---

We're so confident the quality of our products meets the exacting standards of the KitchenAid® brand that, if your Coffee Maker should fail within the first year of ownership, KitchenAid Canada will replace your Coffee Maker with an identical or comparable replacement. Your replacement unit will also be covered by our one year limited warranty. Please follow these instructions to receive this quality service.

If your Coffee Maker should fail within the first year of ownership, take the Coffee Maker or ship collect to an Authorized KitchenAid Service Centre. In the carton

include your name and complete shipping address along with a copy of the proof of purchase (register receipt, credit card slip, etc.). Your replacement Coffee Maker will be returned prepaid and insured. If you are unable to obtain satisfactory service in this manner call our toll-free Customer eXperience Centre at **1-800-807-6777**.

Or write to us at:  
Customer eXperience Centre  
KitchenAid Canada  
200 - 6750 Century Ave.  
Mississauga, ON L5N 0B7

## Arranging for Service after the Warranty Expires, or Ordering Accessories and Replacement Parts

---

### In the United States and Puerto Rico:

For service information, or to order accessories or replacement parts, call toll-free at **1-800-541-6390** or write to:  
Customer eXperience Center,  
KitchenAid Portable Appliances,  
P.O. Box 218, St. Joseph, MI 49085-0218

### Outside the United States and Puerto Rico:

Consult your local KitchenAid dealer or the store where you purchased the Coffee Maker for information on how to obtain service.

### For service information in Canada:

Call toll-free **1-800-807-6777**.

Or write to:  
Customer eXperience Centre  
KitchenAid Canada  
200 - 6750 Century Ave.  
Mississauga, ON L5N 0B7

# Table des matières

Sécurité de la cafetière .....	11
Preuve d'achat et enregistrement du produit .....	12
Spécifications électriques .....	13
Pièces de la cafetière .....	14
Caractéristiques de la cafetière .....	15
Suggestions d'infusion de café : Conseil pour un arôme idéal .....	16
Utilisation de la cafetière .....	17
Entretien de la cafetière .....	19
Dépannage .....	19
Garantie.....	20

## Sécurité de la cafetière

### Votre sécurité est très importante, au même titre que celle d'autrui.

Plusieurs messages de sécurité importants apparaissent dans ce manuel ainsi que sur votre appareil. Lisez-les attentivement et respectez-les systématiquement.



Ce symbole est synonyme d'avertissement.

Il attire votre attention sur les risques potentiels susceptibles de provoquer des blessures mortelles ou graves à l'utilisateur ou d'autres personnes présentes.

Tous les messages de sécurité sont imprimés en regard du symbole d'avertissement ou après les mots « DANGER » ou « AVERTISSEMENT ».

Ces mots signifient ce qui suit :

 **DANGER**

**Vous risquez d'être mortellement ou gravement blessé si vous ne respectez pas immédiatement les instructions.**

 **AVERTISSEMENT**

**Vous risquez d'être mortellement ou gravement blessé si vous ne respectez pas scrupuleusement les instructions.**

Tous les messages de sécurité vous indiquent en quoi consiste le danger potentiel, comment réduire le risque de blessures et ce qui peut arriver si vous ne respectez pas les instructions.

	<b>AVERTISSEMENT</b> RISQUE D'INCENDIE OU DE CHOC ÉLECTRIQUE. NE PAS OUVRIR.	
AVERTISSEMENT : POUR RÉDUIRE LE RISQUE D'INCENDIE OU DE CHOC ÉLECTRIQUE, NE PAS RETIRER LA PLAQUE PROTECTRICE (OU LA PARTIE ARRIÈRE).		
AUCUNE PIÈCE RÉPARABLE PAR L'UTILISATEUR À L'INTÉRIEUR. TOUTE RÉPARATION DOIT ÊTRE EFFECTUÉE UNIQUEMENT PAR UN RÉPARATEUR AUTORISÉ.		

# CONSIGNES DE SÉCURITÉ IMPORTANTES

---

Lors de l'utilisation d'appareils électriques, il faut toujours observer certaines précautions élémentaires de sécurité, y compris les suivantes :

1. Lire toutes les instructions.
2. Ne pas toucher de surface chaude. Utiliser les poignées ou les boutons.
3. Pour se protéger contre toute décharge électrique, ne pas immerger le cordon, les prises ou la cafetière dans de l'eau ou dans tout autre liquide.
4. Une surveillance attentive s'impose lorsqu'un appareil ménager est utilisé par ou à proximité d'enfants.
5. Débrancher la cafetière lorsqu'elle n'est pas utilisée et avant le nettoyage. Attendre que l'appareil ait refroidi avant d'installer ou de retirer des pièces.
6. Ne pas faire fonctionner un appareil dont le cordon ou la prise est endommagé(e), lorsque l'appareil ne fonctionne pas correctement ou lorsqu'il a été endommagé d'une quelconque façon. Retourner l'appareil au centre de service agréé le plus proche pour examen, réparation ou réglage.
7. L'utilisation d'accessoires de fixation non recommandés par le fabricant de l'appareil peut causer des blessures.
8. Ne pas utiliser à l'extérieur.
9. Ne pas laisser le cordon pendre sur le côté d'une table ou d'un comptoir, ou toucher une surface chaude.
10. Ne pas placer sur ou près d'un brûleur électrique ou à gaz chaud, ou dans un four chaud.
11. Ne pas utiliser l'appareil pour un autre usage que celui pour lequel il est conçu.
12. Ne pas faire fonctionner d'appareil sans que le couvercle ne soit correctement placé sur le récipient (tasse de voyage).
13. Le récipient (tasse de voyage) est conçu pour être utilisé avec cet appareil. Il ne doit jamais être utilisé sur une cuisinière ou dans un four à micro-ondes.
14. Ne pas placer de récipient chaud (tasse de voyage) sur une surface mouillée ou froide.
15. Ne pas nettoyer de récipient (tasse de voyage) avec des nettoyeurs abrasifs, des tampons en laine d'acier ou tout autre matériau abrasif.
16. Ce produit est conçu uniquement pour un usage domestique.

## CONSERVER CES INSTRUCTIONS

### Preuve d'achat et enregistrement du produit

---

Veillez toujours conserver une copie du ticket de caisse indiquant la date d'achat de la cafetière. La preuve d'achat vous garantit le bénéfice du service après-vente.

Avant d'utiliser la cafetière, veuillez remplir et expédier la carte d'enregistrement du produit emballée avec l'appareil. Grâce à cette carte, nous pourrions vous contacter dans l'éventualité improbable d'un avis de sécurité concernant le produit; ceci nous aidera aussi à nous conformer aux dispositions de la loi sur la sécurité des produits de consommation. Cette carte ne confirme pas votre garantie.

Veillez remplir ce qui suit pour vos dossiers personnels :

**Numéro de modèle** \_\_\_\_\_

**Numéro de série** \_\_\_\_\_

**Date d'achat** \_\_\_\_\_

**Nom et adresse du magasin** \_\_\_\_\_

# Spécifications électriques

## **! AVERTISSEMENT**



### **Risque de choc électrique**

**Brancher sur une prise à 3 alvéoles reliée à la terre.**

**Ne pas enlever la broche de liaison à la terre.**

**Ne pas utiliser un adaptateur.**

**Ne pas utiliser un câble de rallonge.**

**Le non-respect de ces instructions peut causer un décès, un incendie ou un choc électrique.**

Volts : 120 volts C.A. uniquement

Hertz: 60 Hz

**REMARQUE :** Cette cafetière comporte une prise à 3 alvéoles reliée à la terre. Pour réduire le risque de choc électrique, cette fiche ne peut être insérée dans une prise que dans un seul sens. Si cette fiche ne convient pas à la prise, contacter un électricien qualifié. Ne pas modifier la prise de quelque manière que ce soit.

Ne pas utiliser de câble de rallonge. Si le cordon d'alimentation électrique est trop court, faire installer une prise près de l'appareil électroménager par un électricien ou un technicien de service qualifié.

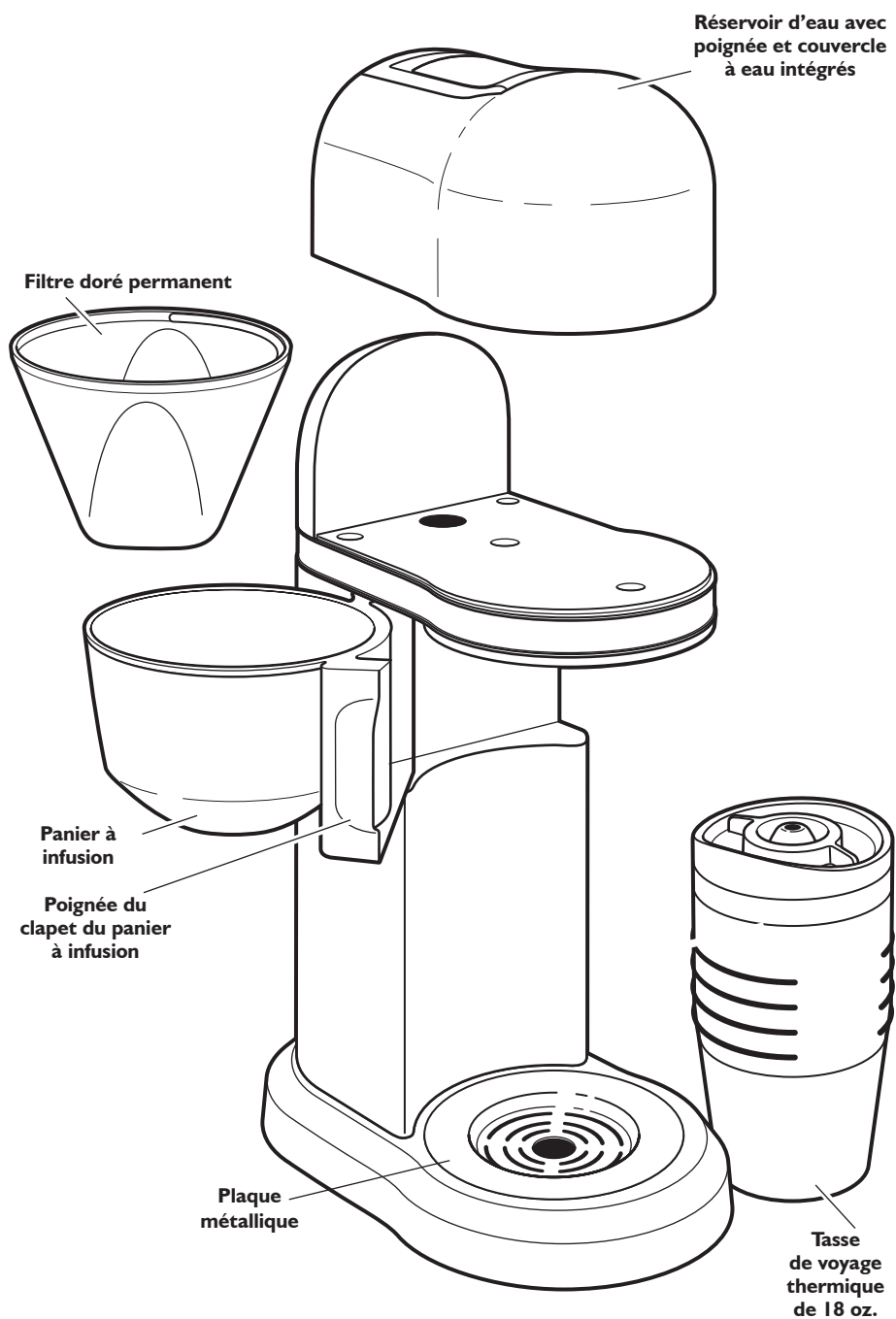
On doit utiliser un cordon d'alimentation court (ou détachable) afin de réduire le risque qu'une personne s'emmêle dans un cordon d'alimentation qui serait plus long ou trébuche dessus.

Si on utilise un cordon d'alimentation détachable ou de rallonge plus long :

- Les caractéristiques électriques indiquées de l'ensemble de cordon ou de rallonge doivent être au moins aussi élevées que les caractéristiques électriques de l'appareil.
- Le cordon doit être disposé de sorte qu'il ne pende pas par dessus le plan de travail ou la table de cuisine, où des enfants pourraient tirer dessus ou trébucher dessus involontairement.

Si l'appareil comporte une mise à la terre, la rallonge doit être un cordon de type mise à la terre à 3 conducteurs.

# Pièces de la cafetière



# Caractéristiques de la cafetière

## Signal sonore de fin d'infusion

Un signal sonore retentit lorsque le café est infusé.

## Poignée du clapet du panier à infusion

Accéder au panier à infusion amovible en tirant sur la poignée située sur le côté de la cafetière. Le clapet à ressort comporte un loquet pour que la porte se ferme complètement.

## Panier à infusion

On peut placer soit des filtres à café en papier, soit le filtre doré permanent dans le panier à infusion. Le panier à infusion peut être lavé dans le panier supérieur du lave-vaisselle.

## Filtre doré permanent

Le filtre doré haute performance supprime la nécessité d'utiliser des filtres à café en papier. On peut cependant utiliser des filtres à café en papier avec la cafetière si on le souhaite. Le filtre doré peut être lavé dans le panier supérieur du lave-vaisselle.

## Réservoir d'eau amovible

La cafetière comporte un réservoir d'eau amovible pratique. Retirer le réservoir d'eau et verser l'eau directement dedans. Il est conseillé de laver le réservoir à la main.

## Tasse de voyage thermique de 18 oz.

La tasse de voyage thermique de 18 oz. est en acier inoxydable brossé avec une section douce et ergonomique. La tasse de voyage doit être lavée à la main avec du savon et de l'eau chaude.

## Espace de rangement du cordon pleine longueur (non illustré)

Le compartiment situé à l'arrière de la cafetière permet de tenir la longueur supplémentaire de cordon hors de vue.

## Pompe de chauffage (non illustrée)

Une pompe de chauffage puissante permet d'infuser un café à l'arôme riche et puissant.

## Commande de température électronique

La commande de température électronique régule la puissante pompe de chauffage de 700 watts pour une infusion efficace à chaque fois.

# Suggestions d'infusion de café : Conseil pour un arôme idéal

---

## Grains de café frais

Un grand café, c'est d'abord des grains de café frais. Pour préserver la fraîcheur des grains de café, les conserver dans un récipient opaque et hermétique et entreposer celui-ci dans un endroit frais et sec. Il n'est pas conseillé de les réfrigérer car de la condensation a tendance à se former sur les grains chaque fois que l'on ouvre le récipient. On peut congeler les grains de café pour les préserver si l'on sait qu'ils ne seront pas consommés avant longtemps, mais la congélation altèrera aussi le goût.

## Le calibre idéal de moulure

Une tasse de café parfaite, c'est aussi des grains de café parfaitement moulus juste avant infusion. Lors du meulage, veiller à obtenir une mouture moyenne - il s'agit de la mouture qui convient le mieux aux cafetières à versement automatique.

Acheter les moulins à café aplatisseurs ou à lame KitchenAid™ chez le revendeur le plus proche ou en ligne à l'adresse [www.kitchenaid.com](http://www.kitchenaid.com).

## Quantité idéale de café moulu

Comme point de repère, on peut utiliser 1 à 2 cuillère(s) à café pour 6 oz. d'eau d'infusion indiquée sur le réservoir d'eau. Une mouture plus fine nécessite généralement moins de café mais entraîne également un goût plus amer; de plus cela obstrue le filtre.

Pour un café plus léger, faire infuser en utilisant la proportion de moulure de café et d'eau suggérée puis diluer le tout dans de l'eau chaude. Ceci optimisera le goût et minimisera l'amertume du goût.

## Pureté de l'eau d'infusion

Un café savoureux, c'est d'abord de l'eau fraîche. Le réservoir d'eau amovible est facile à remplir, ce qui vous permet de savourer un café délicieux à chaque fois. Il est aussi facile à nettoyer; vous pouvez donc préparer votre café avec une eau parfaitement fraîche.

Si l'eau du circuit local est de très mauvaise qualité, il sera peut-être préférable d'utiliser de l'eau en bouteille. Ne pas utiliser d'eau distillée ou d'eau minérale car elles peuvent endommager la cafetière.

## Propreté de la cafetière

Les huiles de café qui s'accumulent dans le panier à infusion et la tasse de voyage peuvent tourner et altérer le goût du café infusé; il est donc important de nettoyer quotidiennement ces deux éléments pour que l'arôme du café soit idéal.



# Utilisation de la cafetière

## Nettoyage avant utilisation

Laver le panier à infusion, le filtre doré permanent et la tasse de voyage à l'eau chaude et savonneuse, puis rincer avec de l'eau propre et sécher. Ne pas utiliser de nettoyeurs abrasifs ou de tampons à récurer.

## Infusion du café

**REMARQUE :** Avant de faire infuser la première tasse de café, faire infuser une tasse d'eau fraîche et froide puis la jeter (première utilisation uniquement).

1. Retirer le réservoir d'eau et le remplir d'eau froide et fraîche pour produire la quantité de café souhaitée. Lorsqu'on remet le réservoir en place, veiller à l'aligner avec l'onglet/les onglets.

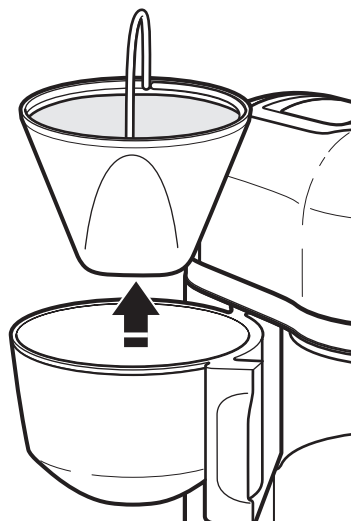
**REMARQUE :** On peut remplir le réservoir sans avoir à le retirer de la cafetière.

2. Après avoir rempli le réservoir d'eau, placer la tasse de voyage thermique dans la cafetière.

Pour que la température du café soit optimale, il est conseillé de faire infuser le café avec le couvercle installé sur la tasse. S'assurer que le couvercle est bien centré. On peut aussi remplir la tasse d'eau chaude du robinet pendant 30 secondes pour la préchauffer si on souhaite un café plus chaud.

**REMARQUE :** La plupart des tasses à café de grande taille conviennent à cette cafetière.

3. Ouvrir le clapet du panier à infusion. On peut retirer le panier à infusion, mais il est possible de le remplir sans l'enlever à partir de l'avant de la cafetière.



4. Insérer un deuxième filtre en papier conique ou placer le filtre doré permanent dans le panier à infusion.

**IMPORTANT :** Ne pas utiliser les deux types de filtres en même temps. Le fait d'utiliser les deux filtres en même temps pourrait entraîner le débordement de l'eau et du café par dessus le panier à infusion.

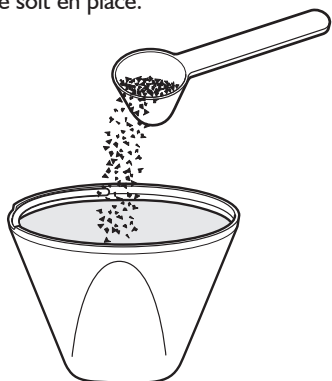
## Utilisation de la cafetière

---

5. Remplir le filtre avec une cuillère à café rase de café moulu par 6 oz. de café. Utiliser une mouture de café moyenne adaptée aux cafetières automatiques.

**REMARQUE :** Une mouture trop fine produit un goût amer et pourrait obstruer le filtre à café.

**IMPORTANT :** Toujours placer le filtre et le café dans le panier à infusion amovible. Ne pas faire fonctionner la cafetière sans que le panier à infusion ne soit en place.



6. Répartir le café dans le fond. Si le panier à infusion est retiré, placer les trous de montage au-dessus des axes du clapet et les installer correctement dans le clapet. S'assurer que le clapet du panier à infusion est complètement fermé avant le processus d'infusion.
7. Appuyer sur le bouton ON (marche) pour démarrer le processus d'infusion du café.
8. La cafetière émet un signal sonore de fin d'infusion une fois l'infusion terminée.
- REMARQUE :** L'extérieur de la tasse de voyage sera chaud au toucher après l'infusion.
9. Répéter ce processus pour faire infuser des tasses de café supplémentaires. Toujours éteindre la cafetière et la laisser refroidir pendant 5 minutes avant de commencer le programme d'infusion suivant.

# Entretien de la cafetière

## Nettoyage de la cafetière

1. Retirer le panier à infusion et la tasse de voyage de la cafetière.
2. Laver le panier à infusion et le filtre doré permanent à l'eau chaude et savonneuse, puis rincer à l'eau chaude. Ne pas utiliser de nettoyeurs abrasifs ou de tampons à récuser. Ces parties peuvent également être lavées dans le panier supérieur du lave-vaisselle.
3. Débrancher la cafetière et essuyer le logement avec un chiffon imbibé d'eau savonneuse et tiède. Essuyer ensuite avec un chiffon humide et sécher avec un chiffon doux. Ne pas utiliser de nettoyeurs abrasifs ou de tampons à récuser.

## Détartrage de la cafetière

Avec le temps, des dépôts de calcium (tartre) présents dans l'eau s'accumulent dans la pompe de chauffage de la cafetière et réduisent l'efficacité du processus d'infusion ainsi que la qualité du café. Il faut alors procéder à un détartrage afin de préserver la performance et le cycle de vie de la cafetière. La cafetière peut être détartrée à l'aide d'un agent de détartrage ou de vinaigre. Toujours diluer la solution de détartrage avec de l'eau froide.


- Lorsqu'on utilise un agent de détartrage, suivre les instructions de l'emballage pour connaître les quantités d'agent de détartrage et d'eau recommandées.
  - Lorsqu'on utilise du vinaigre, remplir la tasse de voyage d'un mélange d'eau et de vinaigre en quantités égales.
1. Avant un détartrage, toujours s'assurer que le panier à infusion ne contient pas de café ou de filtre à café.
  2. Effectuer un programme d'infusion complet avec le réservoir rempli de la solution de détartrage ou du mélange au vinaigre. Appuyer sur le bouton ON (marche) pour démarrer le programme d'infusion.
  3. Rincer la cafetière en faisant fonctionner 2 programmes d'infusion en remplissant chaque fois le réservoir d'eau fraîche et froide.
  4. Laver le panier à infusion dans une eau chaude et savonneuse et rincer à l'eau chaude. Le panier à infusion peut également être lavé dans le panier supérieur du lave-vaisselle.

## Dépannage

- **Si seule une partie de l'eau versée dans la cafetière infuse :** La cafetière nécessite un détartrage immédiat. Consulter "Détartrage de la cafetière" dans la section "Entretien de la cafetière".
- **Si le problème ne peut être résolu :** Voir la section de la garantie KitchenAid. Ne retournez pas la cafetière au vendeur - un vendeur n'assure pas de service après-vente.

## Garantie de la cafetière KitchenAid® pour les 50 États des États-Unis, le district fédéral de Columbia, Porto Rico et le Canada

La présente garantie couvre l'acheteur et les propriétaires suivants de la cafetière lorsqu'elle est utilisée dans les 50 États des États-Unis, le district fédéral de Columbia, à Porto Rico et au Canada.

<b>Durée de la garantie :</b>	Garantie complète d'un an à compter de la date d'achat.
<b>KitchenAid prendra en charge les éléments suivants à votre choix :</b>	Remplacement sans difficulté de votre cafetière. Voir la page suivante pour plus de détails concernant la procédure à suivre pour un dépannage, ou appeler le numéro sans frais <b>1-800-541-6390</b> du centre Expérience clientèle. OU KitchenAid prendra en charge les pièces de rechange et la main-d'œuvre pour corriger les vices de matériaux ou de fabrication. Le service doit être fourni par un centre de réparation agréé KitchenAid.
 <b>KitchenAid ne paiera pas pour :</b>	<b>A.</b> Les réparations lorsque la cafetière est utilisée à des fins autres qu'un usage domestique unifamilial normal. <b>B.</b> Les dommages causés par : accident, altération, mésusage ou abus. <b>C.</b> Tout frais d'expédition ou de manutention pour livrer la cafetière dans un centre de réparation autorisé. <b>D.</b> Les frais des pièces de rechange ou de la main d'œuvre concernant une cafetière utilisée à l'extérieur des 50 États des États-Unis, du district fédéral de Columbia, de Porto Rico et du Canada.
<b>CLAUSE D'EXONÉRATION DE RESPONSABILITÉ AU TITRE DES GARANTIES IMPLICITES; LIMITATION DES RECOURS</b> LES GARANTIES IMPLICITES, Y COMPRIS DANS LA MESURE APPLICABLE LES GARANTIES DE QUALITE MARCHANDE OU D'APTITUDE A UN USAGE PARTICULIER, SONT EXCLUES DANS LA MESURE AUTORISEE PAR LA LOI. TOUTE GARANTIE IMPLICITE POUVANT ÊTRE IMPOSÉE PAR LA LOI EST LIMITÉE À UN AN, OU À LA PLUS COURTE PÉRIODE AUTORISÉE PAR LA LOI. CERTAINES JURIDICTIONS NE PERMETTENT PAS LA LIMITATION DE LA DURÉE DE VALIDITÉ DES GARANTIES IMPLICITES DE QUALITÉ MARCHANDE OU D'APTITUDE À UN USAGE PARTICULIER; PAR CONSÉQUENT LES LIMITATIONS OU EXCLUSIONS STIPULÉES DANS LES PRÉSENTES PEUVENT NE PAS VOUS ÊTRE APPLICABLES. SI CE PRODUIT NE FONCTIONNE PAS TEL QUE GARANTI, LE SEUL ET UNIQUE RECOURS DU CLIENT CONSISTE À EN OBTENIR LA RÉPARATION OU LE REMPLACEMENT CONFORMÉMENT AUX TERMES DE LA PRÉSENTE GARANTIE LIMITÉE. KITCHENAID ET KITCHENAID CANADA DÉCLINENT TOUTE RESPONSABILITÉ AU TITRE DES DOMMAGES FORTUITS OU INDIRECTS. Cette garantie vous confère des droits juridiques spécifiques et vous pouvez également jouir d'autres droits qui peuvent varier d'un État à l'autre ou d'une province à l'autre.	

## Garantie de remplacement sans difficulté – pour les 50 États des États-Unis, le district fédéral de Columbia et Porto Rico

Nous sommes tellement certains que la qualité de nos produits satisfait aux normes exigeantes de KitchenAid que si la cafetière cesse de fonctionner au cours de la première année suivant son acquisition, KitchenAid livrera gratuitement à votre porte un appareil de remplacement identique ou comparable et prendra les dispositions nécessaires pour que la cafetière d'origine nous soit retournée. L'appareil de remplacement sera également couvert par notre garantie limitée d'un an. Veuillez suivre ces instructions pour bénéficier de ce service de qualité.

Si votre cafetière cesse de fonctionner durant la première année suivant son acquisition, il vous suffit d'appeler notre

Centre eXpérience clientèle au **1-800-541-6390**, du lundi au vendredi. Veuillez avoir votre reçu de vente à portée de main au moment de votre appel. Une preuve d'achat est indispensable pour que votre réclamation puisse être traitée. Fournissez votre adresse de livraison complète au représentant. (Pas de boîte postale).

Après avoir reçu la cafetière de rechange, utiliser le carton et les matériaux d'emballage pour emballer la cafetière d'origine. Veuillez indiquer vos nom et adresse sur une feuille de papier et insérez-la dans le carton avec une copie de votre preuve d'achat (reçu de caisse, facture de règlement par carte de crédit, etc.).

## Garantie de remplacement sans difficulté - Canada

Nous sommes tellement certains que la qualité de nos produits satisfait aux normes exigeantes de la marque KitchenAid® que si la cafetière cesse de fonctionner au cours de la première année suivant son acquisition, KitchenAid Canada remplacera la cafetière par un appareil de remplacement identique ou comparable. L'appareil de remplacement sera également couvert par notre garantie limitée d'un an. Veuillez suivre ces instructions pour bénéficier de ce service de qualité.

Si votre cafetière cesse de fonctionner durant la première année suivant son acquisition, apporter ou réexpédier

la cafetière port dû vers un Centre de réparation KitchenAid autorisé. Veuillez indiquer vos nom et adresse d'expédition complets dans le carton et joignez une copie de votre preuve d'achat (reçu de caisse, facture de règlement par carte de crédit, etc.). Votre cafetière de rechange sera retournée port payé et assurée. Si le service que vous obtenez de cette manière n'est pas satisfaisant, appelez sans frais notre centre eXpérience clientèle au **1-800-807-6777**.

Ou écrivez-nous à :  
Centre eXpérience clientèle  
KitchenAid Canada  
200 - 6750 Century Ave.  
Mississauga, ON L5N 0B7

## Obtenir un dépannage une fois la garantie expirée ou commander des accessoires et pièces de rechange

### Aux États-Unis et à Porto Rico :

Pour des informations sur le service de dépannage ou pour commander des accessoires ou des pièces de rechange, composer le numéro sans frais **1-800-541-6390** ou écrire à :  
Centre eXpérience clientèle,  
KitchenAid Portable Appliances,  
P.O. Box 218, St. Joseph, MI 49085-0218

### En dehors des États-Unis et de Porto Rico :

Consulter le revendeur KitchenAid le plus proche de chez vous ou le magasin dans lequel vous avez acheté votre cafetière pour plus d'informations sur les modalités d'obtention d'un dépannage.

### Pour des informations concernant toute intervention de dépannage au Canada :

Composer le numéro sans frais  
**1-800-807-6777**.

Ou écrire à l'adresse suivante :  
Centre eXpérience clientèle  
KitchenAid Canada  
200 - 6750 Century Ave.  
Mississauga, ON L5N 0B7

# Índice

Seguridad de la cafetera .....	22
Prueba de compra y registro del producto .....	23
Requisitos eléctricos .....	24
Piezas de la cafetera.....	25
Características de la cafetera .....	26
Sugerencias para la elaboración del café: Consejos para obtener el sabor ideal .....	27
Uso de la cafetera .....	27
Cuidado de la cafetera .....	29
Solución de problemas .....	29
Garantía.....	30

## Seguridad de la cafetera

### Su seguridad y la seguridad de los demás es muy importante.

Hemos incluido muchos mensajes importantes de seguridad en este manual y en su electrodoméstico. Lea y obedezca siempre todos los mensajes de seguridad.



Este es el símbolo de advertencia de seguridad.

Este símbolo le llama la atención sobre peligros potenciales que pueden ocasionar la muerte o una lesión a usted y a los demás.

Todos los mensajes de seguridad irán a continuación del símbolo de advertencia de seguridad y de la palabra "PELIGRO" o "ADVERTENCIA".

Estas palabras significan:

**⚠ PELIGRO**

**Si no sigue las instrucciones de inmediato, usted puede morir o sufrir una lesión grave.**

**⚠ ADVERTENCIA**

**Si no sigue las instrucciones, usted puede morir o sufrir una lesión grave.**

Todos los mensajes de seguridad le dirán el peligro potencial, le dirán cómo reducir las posibilidades de sufrir una lesión y lo que puede suceder si no se siguen las instrucciones.



**ADVERTENCIA**

RIESGO DE INCENDIO O CHOQUE ELÉCTRICO. NO LO ABRA.



ADVERTENCIA: PARA REDUCIR EL RIESGO DE INCENDIO O CHOQUE ELÉCTRICO, NO quite la cubierta (o la parte posterior).

EL INTERIOR NO CONTIENE PIEZAS QUE PUEDA REPARAR EL USUARIO.

LA REPARACIÓN DEBE EFECTUARSE SOLAMENTE POR PERSONAL AUTORIZADO PARA DAR SERVICIO.

# SALVAGUARDIAS IMPORTANTES

Al utilizar aparatos eléctricos, se deben seguir siempre precauciones básicas de seguridad. Lo que incluye lo siguiente:

1. Lea todas las instrucciones.
2. No toque las superficies calientes. Use las asas o perillas.
3. Para protegerse contra choque eléctrico, no sumerja el cable, los enchufes ni la cafetera en agua ni en ningún otro líquido.
4. Es necesario supervisar cuidadosamente a los niños cuando usen cualquier aparato o cuando éste se use cerca de ellos.
5. Desenchufe la cafetera del contacto cuando no esté en uso y antes de la limpieza. Deje que se enfríe antes de colocar o quitar piezas.
6. No opere ningún aparato que tenga un cable o enchufe dañado, que haya funcionado mal o que se haya dañado de alguna manera. Devuelva el aparato al lugar más cercano de servicio autorizado para su examen, reparación o ajuste.
7. El uso de accesorios de acoplamiento no recomendados por parte del fabricante del aparato puede ocasionar heridas.
8. No lo use al aire libre.
9. No deje que el cable cuelgue del borde de una mesa o mostrador ni que toque superficies calientes.
10. No lo coloque cerca de un quemador a gas o eléctrico caliente ni sobre el mismo, ni tampoco dentro de un horno caliente.
11. No dé al aparato un uso diferente de aquél para el cual fue diseñado.
12. No use el aparato sin colocar la tapa debidamente sobre el recipiente (taza para viajes).
13. El recipiente (taza para viajes) ha sido diseñado para usarse con este aparato. Nunca deberá usarse sobre la estufa ni dentro de un horno de microondas.
14. No deje un recipiente (taza para viajes) caliente sobre una superficie mojada o fría.
15. No limpie el recipiente (taza para viajes) con limpiadores abrasivos, esponjas de fibra metálica u otro material abrasivo.
16. Este producto ha sido diseñado únicamente para uso doméstico.

## GUARDE ESTAS INSTRUCCIONES

### Prueba de compra y registro del producto

Guarde siempre una copia del recibo de compra, en el cual se muestra la fecha de compra de su cafetera. La prueba de compra le asegurará el servicio bajo la garantía.

Antes de usar la cafetera, llene y envíe por correo la tarjeta de registro del producto que fue empacada con la unidad. Esta tarjeta nos permitirá contactarlo en el caso improbable de una notificación acerca de la seguridad del producto y nos asistirá para cumplir con las disposiciones de Consumer Product Safety Act (Ley de seguridad de productos al consumidor). Esta tarjeta no confirma su garantía.

Sírvase completar lo siguiente para su información personal:

**Número de modelo** \_\_\_\_\_

**Número de serie** \_\_\_\_\_

**Fecha de compra** \_\_\_\_\_

**Nombre y ubicación de la tienda** \_\_\_\_\_

## Requisitos eléctricos

### **! ADVERTENCIA**



#### **Peligro de Choque Eléctrico**

**Conecte a un contacto de pared de conexión a tierra de 3 terminales.**

**No quite la terminal de conexión a tierra.**

**No use un adaptador.**

**No use un cable eléctrico de extensión.**

**No seguir estas instrucciones puede ocasionar la muerte, incendio o choque eléctrico.**

No use un cable eléctrico de extensión. Si el cable de suministro eléctrico es demasiado corto, haga que un electricista o técnico de servicio competente instale un contacto cerca del electrodoméstico.

Deberá usarse un cable corto de suministro eléctrico (o un cable desmontable de suministro eléctrico) para reducir el riesgo de enredarse o tropezarse con un cable más largo.

Si se usa un cable de suministro eléctrico desmontable más largo o un cable de extensión:

- La clasificación eléctrica indicada en el juego de cables o cable de extensión deberá ser por lo menos la misma que la clasificación eléctrica del aparato.
- Deberá arreglarse el cable de manera que no cuelgue sobre el mostrador o la parte superior de la mesa, en donde los niños podrían jalarlo o tropezarse con él accidentalmente.

Si el aparato es del tipo de conexión a tierra, el cable eléctrico de extensión deberá ser un cable de conexión a tierra de 3 terminales.

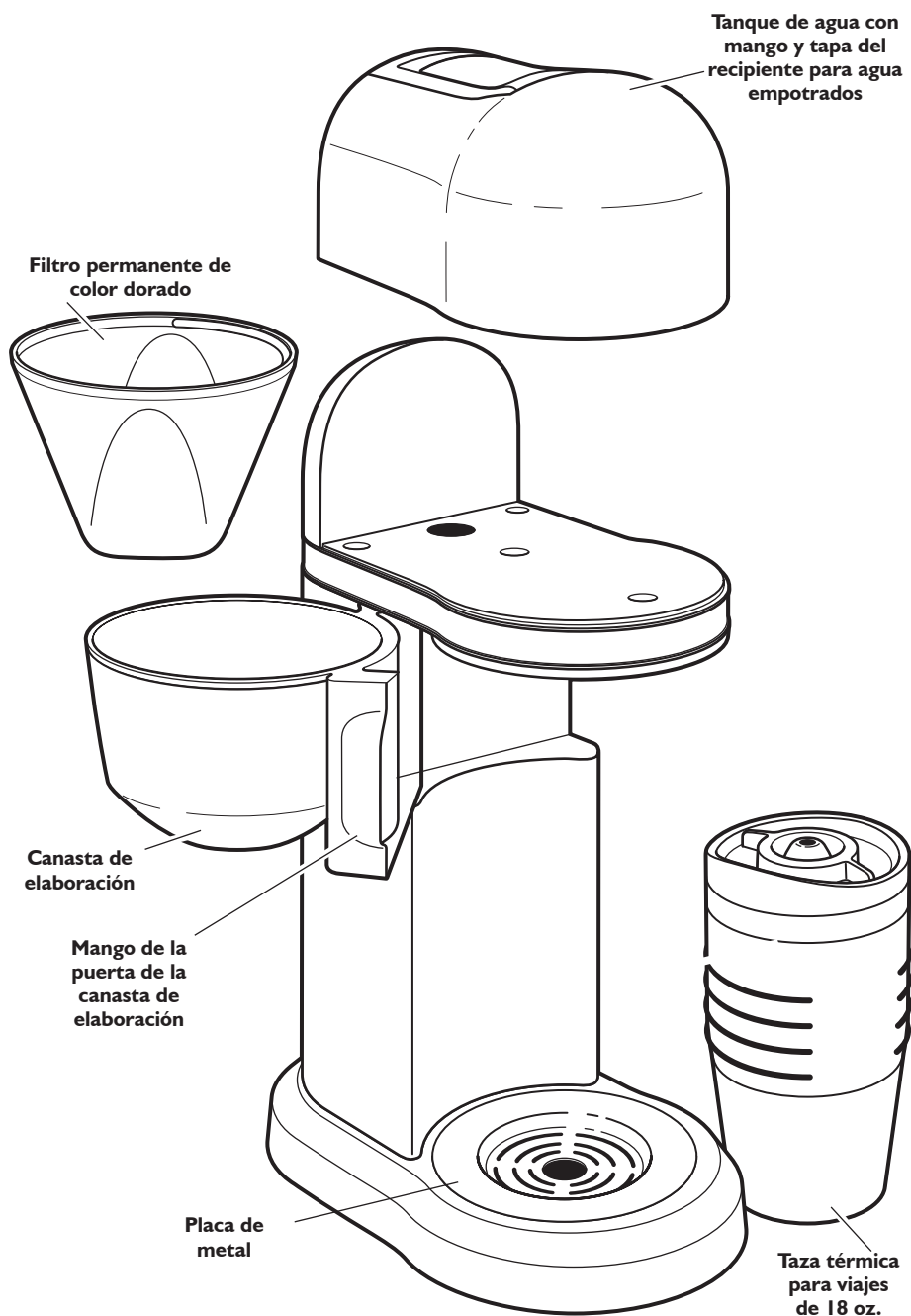
Voltios: 120 Voltios, CA solamente

Hertzios: 60 Hz

**NOTA:** Esta cafetera tiene un enchufe de conexión a tierra de 3 terminales. Para reducir el riesgo de choque eléctrico, este enchufe encajará en un contacto solamente de una manera. Si el enchufe no encaja en el contacto, póngase en contacto con un electricista competente. No modifique el enchufe de ninguna manera.



# Piezas de la cafetera



# Características de la cafetera

---

## **Tono de fin de elaboración**

Se escucha un tono cuando el café está listo.

## **Mango de la puerta de la canasta de elaboración**

Obtenga acceso a la canasta removible de elaboración de café jalando el mango que se encuentra en el costado de la cafetera. La puerta con resorte incluye un pestillo para asegurarse de que se cierre por completo.

## **Canasta de elaboración**

En la canasta de elaboración se pueden colocar filtros de papel para café o el filtro permanente de tono dorado. La canasta de elaboración puede lavarse en la canasta superior de una lavavajillas.

## **Filtro permanente de color dorado**

El filtro de tono dorado de gran resistencia elimina la necesidad de usar filtros de papel para café. Si se desea, pueden también usarse filtros de papel en la cafetera. El filtro de tono dorado puede lavarse en la canasta superior de una lavavajillas.

## **Tanque de agua removible**

La cafetera tiene un conveniente tanque de agua removible. Saque el tanque y agregue el agua directamente. Se recomienda lavar el tanque a mano.

## **Taza térmica para viajes de 18 oz.**

La taza para viajes de 18 oz. está hecha de acero inoxidable cepillado, con un relieve especial para sujetarla cómoda y suavemente. Debe lavarse a mano con jabón y agua caliente.

## **Espacio para almacenar el cable en toda su extensión (no se muestra)**

El compartimiento que está en la parte posterior de la cafetera mantiene el exceso del cable fuera del alcance.

## **Bomba de calor (no se muestra)**

La poderosa bomba de calor elabora un café aromático y sabroso.

## **Control electrónico de temperatura**

El control electrónico de temperatura regula la poderosa bomba de calor de 700 vatios para asegurar la constante calidad de elaboración.

# Sugerencias para la elaboración del café: Consejos para obtener el sabor ideal

## Granos frescos de café

Un café realmente sabroso se puede preparar solamente con granos frescos de café. Para conservar la frescura de los granos de café, manténgalos en un recipiente hermético opaco y guárdelos en un lugar fresco y seco. No se recomienda refrigerarlos, debido a que el agua tiende a condensarse sobre los granos cada vez que se abre el recipiente. El congelamiento puede ayudar a mantener los granos almacenados durante un período prolongado, pero también afectará su sabor negativamente.

## El molido justo

La mejor taza de café se prepara con granos de café que han sido molidos adecuadamente, justo antes de prepararlo. Cuando muele los granos de café, cerciórese de que sea a un nivel de molido mediano, el apropiado para las cafeteras automáticas.

Busque los molinillos de café KitchenAid™ con cuchillas o de placas, en su tienda local o en línea, visitando [www.KitchenAid.com](http://www.KitchenAid.com).

## La cantidad adecuada de café molido

Puede comenzar con 1 a 2 cdas de café por cada 6 oz de agua, medida que está marcada en el tanque de agua. Si el molido es más fino, por lo general se necesita menos café, pero esto puede producir un café amargo y bloquear el filtro.

Para obtener un café menos fuerte, prepárelo siguiendo la proporción sugerida de granos de café y agua; después dilúyalo en agua caliente. Esto aumenta el sabor y hace que quede menos amargo.

## La pureza del agua para la elaboración de café

Un sabroso café comienza con agua fresca. El tanque de agua removible es fácil de llenar, para proveerle siempre un café con un gusto ideal. También es fácil de limpiar, para que usted siempre pueda preparar su café con el agua más fresca.

En lugares en donde las condiciones del agua local sean muy malas, tal vez desee usar agua embotellada. No use agua destilada ni agua mineral, ya que pueden dañar su cafetera.

## Para mantener la cafetera limpia

Debido a que los aceites del café que se acumulan en la canasta de elaboración y en la taza para viajes pueden ponerse en malas condiciones y afectar el sabor del café preparado, es importante que estas dos piezas se limpien diariamente para poder preparar un café con el mejor sabor.

## Uso de la cafetera

### Limpieza antes del uso

Lave la canasta de elaboración, el filtro permanente de tono dorado y la taza para viajes en agua caliente jabonosa; enjuáguelos con agua limpia y séquelos. No use limpiadores ni estropajos abrasivos.

### Elaboración del café

**NOTA:** Ponga a elaborar una jarra de agua fresca en la cafetera y deséchela antes de elaborar la primera taza de café (sólo para el primer uso).

1. Saque el tanque de agua y llénelo con agua fresca suficiente como para hacer la cantidad de café deseada. Cuando vuelva a colocar el tanque, cerciórese de alinearlos con la(s) lengüeta(s).

**NOTA:** El tanque puede llenarse sin quitarlo de la cafetera.

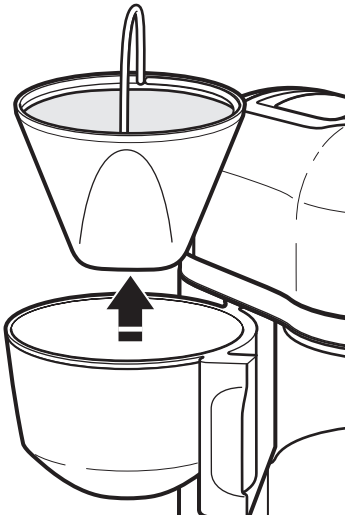
# Uso de la cafetera

- Después de llenar el tanque de agua, coloque la taza para viajes en la cafetera.

Para conservar al máximo la temperatura del café, se recomienda elaborar el café con la tapa en su lugar sobre la taza. Cerciérese de que la tapa esté centrada. Puede también llenar la taza con agua caliente del grifo durante 30 segundos para calentarla previamente y así obtener un café más caliente.

**NOTA:** La cafetera puede elaborar café en la mayoría de las tazas altas de café.

- Abra la puerta de elaboración de café. La canasta de elaboración puede sacarse, pero puede llenarse desde la parte frontal de la cafetera sin tener que quitarla.



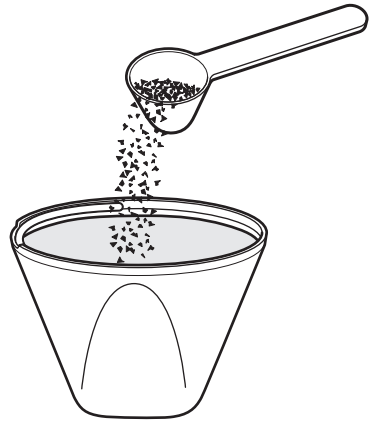
- Inserte un filtro de papel tipo como N° 2 o el filtro permanente de tono dorado dentro de la canasta de elaboración.

**IMPORTANTE:** No use ambos tipos de filtros a la vez. Si usa ambos filtros, podría derramarse el agua y el café de la canasta de elaboración.

- Llene el filtro con un una cucharada al ras de café molido por cada 6 onzas de café deseadas. Use un molido mediano, que sea apropiado para cafeteras automáticas de goteo.

**NOTA:** Un molido demasiado fino hará que el café quede amargo y puede bloquear el filtro de la cafetera.

**IMPORTANTE:** Coloque siempre el filtro y el café dentro de la canasta de elaboración removible. No haga funcionar la cafetera sin la canasta de elaboración en su sitio.



- Coloque uniformemente la capa de café. Si se quita la canasta de elaboración, coloque los orificios de montaje sobre los pasadores en la puerta y encájelos para que queden seguros en la puerta. Cerciérese de que la puerta de la canasta de elaboración esté cerrada por completo antes de preparar café.

- Presione el botón de ON (Encendido) para comenzar a preparar el café.

- Cuando el café haya terminado de prepararse, la cafetera hará sonar un tono de fin de elaboración.

**NOTA:** El exterior de la taza para viajes estará caliente al tacto después de la elaboración.

- Repita este procedimiento para elaborar tazas de café adicionales. Apague siempre la cafetera y deje que se enfríe durante 5 minutos antes de comenzar el próximo ciclo de elaboración.

# Cuidado de la cafetera

## Limpieza de la cafetera

1. Saque la canasta de elaboración y la taza para viajes de la cafetera.
2. Lave la canasta de elaboración y el filtro permanente de color dorado en agua caliente jabonosa; enjuáguelos con agua caliente. No use limpiadores ni estropajos abrasivos. Estas piezas pueden lavarse también en la canasta superior de la lavavajillas.
3. Desenchufe la cafetera y limpie la cubierta con un paño tibio jabonoso. Después pásele un paño húmedo y séquela con un paño suave. No use limpiadores ni estropajos abrasivos.

## Cómo quitarle el sarro a la cafetera

Los depósitos de calcio (sarro) del agua se acumularán en la bomba de calor de la cafetera con el correr del tiempo y afectarán la eficacia de la elaboración y la calidad del café. Deberá quitarse el sarro para conservar el desempeño y la vida útil de la cafetera.

Puede quitarse el sarro de la cafetera usando un agente comercial para quitar el sarro o vinagre. Mezcle siempre la solución para quitar el sarro con agua fresca.

- Cuando use un agente para quitar el sarro, siga las instrucciones del paquete para ver las cantidades recomendadas de agente para quitar el sarro y de agua a usar.

- Cuando use vinagre, llene la taza con una solución compuesta por  $\frac{1}{2}$  de vinagre y  $\frac{1}{2}$  de agua.
1. Antes de quitar el sarro, cerciórese de que la canasta de elaboración no contenga café ni filtros de café.
  2. Ponga a funcionar la cafetera en un ciclo completo de elaboración usando un tanque entero de solución para quitar el sarro o la mezcla de vinagre. Presione el botón de ON (Encendido) para comenzar el ciclo de elaboración.
  3. Enjuague la cafetera poniéndola a funcionar por 2 ciclos de elaboración usando un tanque lleno de agua fresca cada vez.
  4. Lave la canasta de elaboración en agua caliente jabonosa y enjuáguela con agua caliente. La canasta de elaboración también puede lavarse en la canasta superior de la lavavajillas.

# Solución de problemas

- **Si sólo se prepara un poco del agua agregada a la cafetera:** Deberá quitarse el sarro a la cafetera de inmediato. Consulte “Cómo quitarle el sarro a la cafetera” en la sección “Cuidado de la cafetera”.
- **Si no se puede corregir el problema:** Vea la sección de la garantía de KitchenAid. No devuelva la cafetera a la tienda; los vendedores minoristas no proveen servicio técnico.

## Garantía de KitchenAid® para la cafetera en los 50 estados de los Estados Unidos, el Distrito de Columbia, Puerto Rico y Canadá

Esta garantía se extiende al comprador y a cualquier propietario subsiguiente para las cafeteras usadas en los 50 estados de Estados Unidos, el Distrito de Columbia, Puerto Rico y Canadá.

**Duración de la garantía:** Un año de garantía completa a partir de la fecha de compra.

**KitchenAid pagará por lo siguiente, a su elección:**



Reemplazo sin dificultades para su cafetera. Consulte la página siguiente para obtener detalles acerca de cómo obtener servicio, o llame al Centro para la eXperiencia del cliente al **1-800-541-6390**.

**O BIEN**

Las piezas de repuesto o costos de trabajo de reparación para corregir defectos en los materiales y en la mano de obra. El servicio deberá ser provisto por un centro de servicio autorizado por KitchenAid.

**KitchenAid no pagará por:**

- A.** Reparaciones cuando su cafetera haya sido empleada para fines ajenos al uso doméstico normal de una sola familia.
- B.** Daños causados por accidente, alteración, uso indebido o abuso.
- C.** Cualquier gasto de envío o manipulación para llevar la cafetera a un centro de servicio autorizado.
- D.** Piezas de repuesto o costos de mano de obra para cafeteras operadas fuera de los 50 estados de Estados Unidos, el Distrito de Columbia, Puerto Rico y Canadá.

### **EXCLUSIÓN DE GARANTÍAS IMPLÍCITAS; LIMITACIÓN DE RECURSOS**

LAS GARANTÍAS IMPLÍCITAS, INCLUYENDO EN LA MEDIDA QUE CORRESPONDA LAS GARANTÍAS DE COMERCIABILIDAD O DE CAPACIDAD PARA UN PROPÓSITO PARTICULAR, SON EXCLUIDAS EN LA MEDIDA EN QUE SEA LEGALMENTE PERMISIBLE. TODA GARANTÍA QUE SEA IMPUESTA POR LEY SERÁ LIMITADA A UN AÑO O AL PERÍODO MÁS CORTO PERMITIDO POR LEY. ALGUNOS ESTADOS Y PROVINCIAS NO PERMITEN LAS LIMITACIONES O EXCLUSIONES ACERCA DE CUÁNTO DEBE DURAR UNA GARANTÍA IMPLÍCITA DE COMERCIABILIDAD O CAPACIDAD, DE MODO QUE LAS LIMITACIONES O EXCLUSIONES ARRIBA MENCIONADAS PUEDEN NO APLICARSE EN SU CASO.

SI ESTE PRODUCTO NO FUNCIONA COMO SE HA GARANTIZADO, EL ÚNICO Y EXCLUSIVO RECURSO DEL CLIENTE SERÁ EL DE REPARARLO O REEMPLAZARLO SEGÚN LOS TÉRMINOS DE ESTA GARANTÍA LIMITADA. KITCHENAID Y KITCHENAID CANADA NO SE RESPONSABILIZARÁN POR DAÑOS INCIDENTALES O CONSECUENTES. Esta garantía le otorga derechos legales específicos, y es posible que usted tenga también otros derechos, los cuales varían de un estado a otro o de una provincia a otra.

## Garantía de reemplazo sin dificultades – En los cincuenta estados de Estados Unidos, el Distrito de Columbia y Puerto Rico

---

Confiamos tanto en que la calidad de nuestros productos cumple con las exigentes normas de KitchenAid que, si la cafetera presentara alguna falla durante el primer año de compra, KitchenAid se encargará de entregar un reemplazo idéntico o similar a su domicilio sin cargo y de devolver su cafetera original a nosotros. La unidad de reemplazo estará también cubierta por nuestra garantía limitada de un año. Sírvese seguir estas instrucciones para recibir este servicio de calidad.

Si su cafetera fallara durante el primer año de compra, simplemente llame a nuestro Centro para la eXperiencia del cliente

al **1-800-541-6390** de lunes a viernes. Sírvese tener a mano el recibo de compra original cuando llame. Se requerirá la prueba de compra para iniciar un proceso de reclamo. Proporcione al asesor su dirección de envío completa. (No números de apartados postales, por favor.)

Cuando usted reciba la cafetera de reemplazo, use la caja y los materiales de empaque para empacar la cafetera original. En la caja, incluya su nombre y domicilio en una hoja de papel junto con la copia del comprobante de compra (recibo de la caja registradora, recibo de pago de la tarjeta de crédito, etc.).

## Garantía de reemplazo sin dificultades - en Canadá

---

Confiamos tanto en que la calidad de nuestros productos cumple con las exigentes normas de KitchenAid® que, si la cafetera presentara alguna falla durante el primer año de compra, KitchenAid Canada reemplazará su cafetera con una idéntica o un reemplazo similar. La unidad de reemplazo estará también cubierta por nuestra garantía limitada de un año. Sírvese seguir estas instrucciones para recibir este servicio de calidad.

Si su cafetera presentara alguna falla durante el primer año de compra, llévela o envíela a cobro revertido a un Centro de servicio

autorizado por KitchenAid. En la caja, incluya su nombre y domicilio de envío completo en una hoja de papel junto con la copia del comprobante de compra (recibo de la caja registradora, recibo de pago de la tarjeta de crédito, etc.). Su cafetera de reemplazo será devuelta con porte prepagado y asegurado. Si no puede obtener un servicio satisfactorio de esta manera, llame a nuestro número gratuito del Centro para la eXperiencia del cliente al **1-800-807-6777**.

O bien escribanos a:  
Customer eXperience Centre  
KitchenAid Canada  
200 - 6750 Century Ave.  
Mississauga, ON L5N 0B7

## Cómo obtener servicio técnico después de que expire la garantía o cómo pedir accesorios y piezas de repuesto

---

### En los Estados Unidos y Puerto Rico:

Para obtener información acerca del servicio técnico o para pedir accesorios o piezas de repuesto, llame sin costo al **1-800-541-6390** o escriba a:  
Customer eXperience Center,  
KitchenAid Portable Appliances,  
P.O. Box 218, St. Joseph, MI 49085-0218

### Fuera de los Estados Unidos y Puerto Rico:

Consulte a su distribuidor local de KitchenAid o a la tienda donde compró la cafetera para obtener información sobre cómo obtener el servicio técnico.

### Para obtener información acerca del servicio en Canadá:

Llame sin costo al **1-800-807-6777**.

O bien escriba a:  
Customer eXperience Centre  
KitchenAid Canada  
200 - 6750 Century Ave.  
Mississauga, ON L5N 0B7



FOR THE WAY IT'S MADE.®

®/™ ©2012 KitchenAid. All rights reserved. The design of the stand mixer is a trademark in the U.S. and elsewhere.

®/™ ©2012 KitchenAid. Tous droits réservés. La forme du mixeur sur socle est une marque de commerce aux É.-U. et dans d'autres pays.

®/™ ©2012 KitchenAid. Todos los derechos reservados. El diseño de la batidora con base es una marca de comercio en EE.UU. y en otras partes.

**W10491893A**

© 2012. All rights reserved.

© 2012. Tous droits réservés.

© 2012. Todos los derechos reservados.



## Free Manuals Download Website

<http://myh66.com>

<http://usermanuals.us>

<http://www.somanuals.com>

<http://www.4manuals.cc>

<http://www.manual-lib.com>

<http://www.404manual.com>

<http://www.luxmanual.com>

<http://aubethermostatmanual.com>

Golf course search by state

<http://golfingnear.com>

Email search by domain

<http://emailbydomain.com>

Auto manuals search

<http://auto.somanuals.com>

TV manuals search

<http://tv.somanuals.com>