

KitchenAid®

10/12 CUP/
TASSE/
TAZAS

COFFEE MAKERS / CAFETIÈRES / CAFETERA

INSTRUCTIONS / INSTRUCTIONS / INSTRUCCIONES



KCM112

10-cup Thermal Carafe

Carafe thermique de 10 tasses

Jarra térmica con capacidad para 10 tazas



KCM111

12-cup Glass Carafe

Carafe thermique de 12 tasses

Jarra de vidrio con capacidad para 12 tazas

W10321646B



FOR THE WAY IT'S MADE.®

U.S.A.: 1-800-541-6390
Canada: 1-800-807-6777

KitchenAid.com
KitchenAid.ca

Download from www.Somanuals.com. All Manuals Search And Download.

TABLE OF CONTENTS

COFFEE MAKER SAFETY.....	3	COFFEE MAKER	
ELECTRICAL REQUIREMENTS	4	ENHANCED FEATURES.....	12
KITCHENAID® COFFEE MAKER		Pause and Pour Feature	12
FEATURES.....	5	Automatic Brew Timer	12
DISPLAY AND CONTROL PAD FEATURES.....	7	Brew Strength	12
COFFEE BREWING SUGGESTIONS:		Immediate Brew	12
ADVICE FOR GREAT TASTE	8	Auto Brew.....	12
PREPARING YOUR COFFEE		COFFEE MAKER CARE	13
MAKER FOR USE	9	Clean Indicator	13
KITCHENAID® COFFEE MAKER USE.....	10	Clean	13
		TROUBLESHOOTING.....	14
		PROOF OF PURCHASE AND	
		PRODUCT REGISTRATION.....	15
		WARRANTY.....	15

TABLE DES MATIÈRES

SÉCURITÉ DE LA CAFETIÈRE	18	CARACTÉRISTIQUES AVANÇÉES	
SPÉCIFICATIONS ÉLECTRIQUES	19	DE LA CAFETIÈRE.....	27
CARACTÉRISTIQUES DE LA		Caractéristique Pause and Pour	
CAFETIÈRE KITCHENAID®	20	(pause et versement).....	27
AFFICHAGE ET CARACTÉRISTIQUES		Minuterie d'infusion automatique	27
DES TOUCHES DE COMMANDE.....	22	Degré d'infusion	27
SUGGESTIONS D'INFUSION DE		Infusion immédiate.....	27
CAFÉ : CONSEIL POUR UN ARÔME IDÉAL ...	23	Infusion automatique.....	27
PRÉPARATION DE LA CAFETIÈRE POUR		ENTRETIEN DE LA CAFETIÈRE.....	28
UTILISATION	24	Témoin Clean (nettoyage).....	28
UTILISATION DE LA		Clean (propre).....	28
CAFETIÈRE KITCHENAID®	25	DÉPANNAGE.....	29
		PREUVE D'ACHAT ET	
		ENREGISTREMENT DU PRODUIT	29
		GARANTIE	30

ÍNDICE

SEGURIDAD DE LA CAFETERA.....	33	CARACTERÍSTICAS SUPERIORES	
REQUISITOS ELÉCTRICOS.....	34	DE LA CAFETERA.....	42
CARACTERÍSTICAS DE LA		Característica de Pausa y servir	42
CAFETERA KITCHENAID®	35	Temporizador de elaboración	
CARACTERÍSTICAS DE LA PANTALLA		automática.....	42
Y LOS BOTONES DE CONTROL.....	37	Intensidad del café.....	42
SUGERENCIAS PARA LA ELABORACIÓN		Elaboración inmediata.....	42
DEL CAFÉ: CONSEJOS PARA OBTENER		Elaboración automática.....	42
EL SABOR IDEAL.....	38	CUIDADO DE LA CAFETERA	43
CÓMO PREPARAR LA CAFETERA		Indicador de Clean (Limpiar).....	43
PARA SU USO	39	Limpieza	43
USO DE LA CAFETERA KITCHENAID®	40	SOLUCIÓN DE PROBLEMAS.....	44
		PRUEBA DE COMPRA	
		Y REGISTRO DEL PRODUCTO	44
		GARANTÍA.....	45

COFFEE MAKER SAFETY

Your safety and the safety of others are very important.

We have provided many important safety messages in this manual and on your appliance. Always read and obey all safety messages.



This is the safety alert symbol.

This symbol alerts you to potential hazards that can kill or hurt you and others.

All safety messages will follow the safety alert symbol and either the word "DANGER" or "WARNING." These words mean:

⚠ DANGER

You can be killed or seriously injured if you don't immediately follow instructions.

⚠ WARNING

You can be killed or seriously injured if you don't follow instructions.

All safety messages will tell you what the potential hazard is, tell you how to reduce the chance of injury, and tell you what can happen if the instructions are not followed.

IMPORTANT SAFEGUARDS

When using electrical appliances, basic safety precautions should always be followed, including the following:

- Read all instructions.
- Do not touch hot surfaces. Use handles or knobs.
- To protect against electrical shock, do not immerse cord, plugs, or coffee maker in water or other liquid.
- Close supervision is necessary when any appliance is used by or near children.
- Unplug coffee maker from outlet when not in use and before cleaning. Allow to cool before putting on or taking off parts.
- Do not operate any appliance with a damaged cord or plug or after the appliance malfunctions or has been damaged in any manner. Return appliance to the nearest Authorized Service Facility for examination, repair or adjustment.
- The use of accessory attachments not recommended by the appliance manufacturer may cause injuries.
- Do not use outdoors.
- Do not let cord hang over edge of table or counter, or touch hot surfaces.
- Do not place on or near a hot gas or electric burner, or in a heated oven.
- Do not use appliance for other than intended use.
- Do not use appliance without lid properly placed on container (carafe).
- The container (carafe) is designed for use with this appliance. It must never be used on a range top or in a microwave oven.

- Do not set a hot container (carafe) on a wet or cold surface.
- Do not use a cracked container (carafe) or a container having a loose or weakened handle.
- Do not clean container with abrasive cleaners, steel wool pads, or other abrasive material.
- This product is designed for household use only.

SAVE THESE INSTRUCTIONS

ELECTRICAL REQUIREMENTS

⚠ WARNING



Electrical Shock Hazard

Plug into a grounded 3 prong outlet.

Do not remove ground prong.

Do not use an adapter.

Do not use an extension cord.

Failure to follow these instructions can result in death, fire, or electrical shock.

Volts: 120 volts AC only

Hertz: 60 Hz

NOTE: This coffee maker has a 3-prong grounded plug. To reduce the risk of electrical shock, this plug will fit in an outlet only one way. If the plug does not fit in the outlet, contact a qualified electrician. Do not modify the plug in any way.

Do not use an extension cord. If the power supply cord is too short, have a qualified electrician or serviceman install an outlet near the appliance.

A short power supply cord (or detachable power supply cord) should be used to reduce the risk resulting from becoming entangled in or tripping over a longer cord.

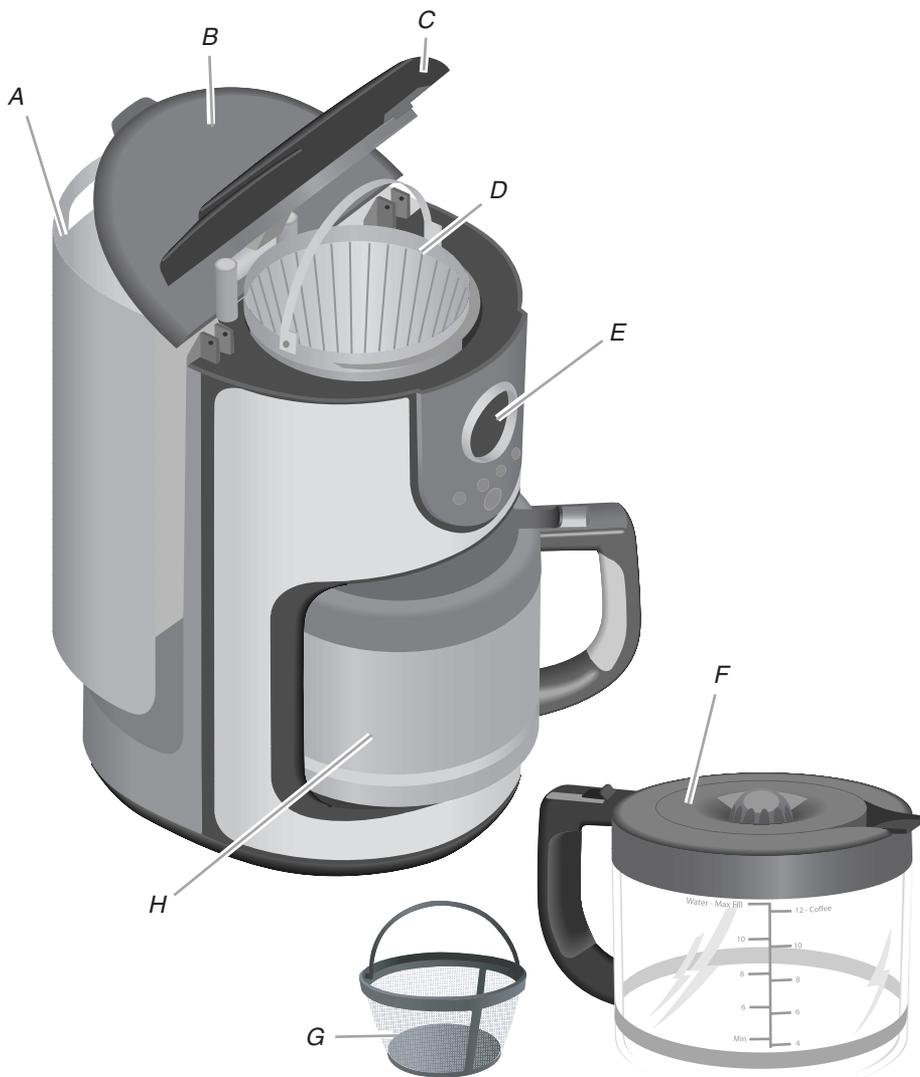
Longer detachable power supply cords or extension cords are available and may be used.

If a longer detachable power supply cord or extension cord is used:

- The marked electrical rating of the cord set or extension cord should be at least as great as the electrical rating of the appliance.
- The cord should be arranged so that it will not drape over the countertop or tabletop where it can be pulled on by children or tripped over unintentionally.

If the appliance is of the grounded type, the extension cord should be a grounding-type 3-wire cord.

KITCHENAID® COFFEE MAKER FEATURES



- A. Removable water tank*
- B. Water tank lid*
- C. Brew cavity lid*
- D. Brew basket*

- E. Programmable display*
- F. Glass carafe (on glass carafe models only)*
- G. Gold Tone permanent filter*
- H. Thermal carafe (on thermal carafe models only)*

1-4 Cup Feature

This feature ensures optimum flavor even when you're not brewing a full pot.

Clean Alert

The Clean Alert indicator reminds you when the coffee maker needs to be cleaned.

Pause and Pour Feature

Pause and pour lets you remove the carafe and pour a cup of coffee before brewing is finished. A special valve seals the brew basket tightly, eliminating drips.

End-Of-Brewing Tone

A tone sounds when coffee is finished brewing.

Automatic Shutoff

Coffee maker automatically shuts off 2 hours after brewing.

Brew Basket

Lift the front lid to access the removable, dishwasher-safe brew basket. The basket holds a 10-12 cup flat bottom paper coffee filter or the Gold Tone permanent filter.

Removable Water Tank

The coffee maker features a convenient removable water tank with water level indicators. Remove the tank and add water directly to the water tank or lift the lid to add water. It is recommended that the tank be hand washed.

Automatic Brew Timer

An easy to set 24 hour brew timer will brew coffee at the selected time, day or night.

Glass or Thermal Carafe

The 12-cup glass and 10-cup thermal carafes feature a dripless pouring spout and comfortable soft grip handle. Both carafes can be washed in the top rack of a dishwasher.

Gold Tone Permanent Filter

The high-performance Gold Tone filter eliminates the need for paper coffee filters. Coffee maker can also use paper filters, if desired. The Gold Tone filter can be washed in the top rack of a dishwasher.

Clock Display

Displays the time of day with AM and PM indicators. To save energy, the clock display goes into sleep mode and reduces the display brightness when the coffee maker is not in use.

Variable Brew Strength Selector

Allows you to select between REG and BOLD brew strengths.

DISPLAY AND CONTROL PAD FEATURES

Coffee Maker Controls



- A. Mode button
- B. Auto/set button
- C. Brew button
- D. Bold button
- E. Up arrow button

Coffee Maker Display



- A. Auto set indicator
- B. Auto indicator
- C. 1-4 cups indicator
- D. Bold indicator
- E. Clean indicator
- F. Clock/automatic brew time display

Mode Button

Press to select program modes.

Auto/Set Button

Press to program an automatic brew time.

Brew Button

Press to select brew mode or to turn the coffee maker on or off.

Bold Button

Press to select Bold mode.

Up Arrow Button

Use the "Up Arrow" button to program the brew timer or set the time-of-day clock.

Auto Set Indicator

Indicates coffee maker is in the Auto Set mode when lit.

Auto Indicator

Indicates coffee maker is in the Auto Brew mode when lit.

1-4 Cup Indicator

Indicates coffee maker is in the 1-4 Cup brew mode when lit.

Bold Indicator

Indicates coffee maker is in the Bold mode when lit.

Clean Indicator

This indicator will light when the coffee maker requires descaling.

Clock Display

Shows the time of day with AM or PM indicator and automatic brew time.

COFFEE BREWING SUGGESTIONS: ADVICE FOR GREAT TASTE

Fresh Coffee Beans

Truly great coffee can only come from fresh coffee beans. To preserve the freshness of your beans, keep the beans in an opaque, airtight container and store them in a cool, dry place. Refrigeration is not recommended since condensation tends to form on the beans whenever the container is opened. Freezing can help preserve beans stored for an extended period, but it will also impair flavor.

The Right Grind

The best cup of coffee comes from coffee beans that are properly ground just before brewing. When grinding, be sure to grind your coffee to a medium grind level, the appropriate grind for automatic drip coffee makers.

Look for the KitchenAid® blade or burr coffee grinders at your local retailer or online at www.kitchenaid.com.

The Proper Amount of Ground Coffee

A good starting point is 1 tablespoon of coffee for every cup of brew water marked on the glass carafe or the water tank. Finer grinds usually require less coffee but may also produce bitterness and clog the filter.

For weaker coffee, brew using the suggested ratio of coffee grounds and water, then dilute with hot water. This maximizes flavor and minimizes bitterness.

Brew Water Purity

Great tasting coffee starts with fresh water. The removable water tank is easy to fill with water to give you great tasting coffee every time. It's also easy to clean so you can always make your coffee with the freshest water.

Where local water is extremely poor, you may wish to use bottled water. Do not use distilled water or mineral water since they can damage your coffee maker.

Coffee Maker Cleanliness

Since the coffee oils that build up on the brew basket and carafe can go stale and impair the flavor of the brewed coffee, it's important that these two items are cleaned daily in order to make the best tasting coffee.

PREPARING YOUR COFFEE MAKER FOR USE

Pre-Use Cleaning

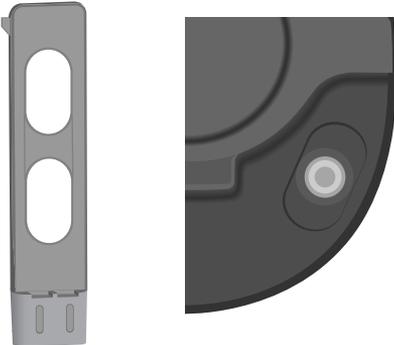
Wash the brew basket, Gold Tone permanent filter, and carafe in hot, soapy water, then rinse with clean water and dry. Do not use abrasive cleansers or scouring pads.

Installing the Water Filter

Use of the water filter is strongly recommended. The filter reduces contaminants which impair the coffee flavor. Use of the filter is optional. The coffee maker will operate normally without it.

The water filter is for use only with municipally treated tap water or well water that is regularly tested for contaminants.

1. The filter consists of a long handle with a filter cartridge at the end.
2. Place the filter cartridge in a separate container filled with fresh, cool water. The cartridge should remain submerged in the water for 10 minutes. Rinse the filter under running water for 5 seconds after soaking.
3. Lift the water tank lid using the tab on the rear of the lid.
4. Place the filter cartridge in the well at the bottom of the water reservoir. Push the cartridge slightly to make sure it fits snugly.



5. Every time you install a new filter, run the coffee maker through a complete brewing cycle without coffee. Use a full carafe of clean, cool water.

To Set the Time-of-Day Clock

! WARNING



Electrical Shock Hazard

Plug into a grounded 3 prong outlet.

Do not remove ground prong.

Do not use an adapter.

Do not use an extension cord.

Failure to follow these instructions can result in death, fire, or electrical shock.

1. Plug into a grounded 3-prong outlet.
2. When the coffee maker is first plugged in or when power is restored after an interruption, the brew timer display will initially show 12:00 AM.
3. Press the MODE button to enter the Time/Clock Setting Mode. The hour digits will flash for the hour adjustment.
4. Press the “up arrow” button to increase the hours. Holding this button increases the time faster.
5. Press the MODE button again. The minutes digits will flash for the minutes adjustment.
6. Press the “up arrow” button to increase the minutes. Holding this button increases the time faster.
7. Press the MODE button again. The AM/PM digits will flash for the AM/PM adjustment.
8. Press the “up arrow” button to switch between AM and PM.

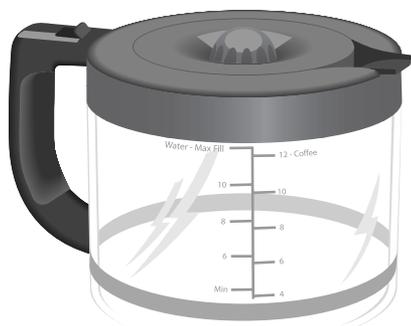
KITCHENAID® COFFEE MAKER USE

Brewing More Than 4 Cups of Coffee

NOTE: Brew one pot of fresh, cool water and discard before brewing the first pot of coffee (first time use only).

1. Remove the water tank and fill with enough fresh, cool water to make the desired amount of coffee. A graduated scale on the tank measures the amount of water needed. When replacing the tank, make sure to align the holes on the top of the tank with the tabs on the back of the coffee maker housing.

For glass carafe models only, the right side of the scale (Coffee) is a measurement of coffee volume. The left side of the scale (Water) indicates the amount of water needed to produce a given number of cups.



2. For glass carafe models only, lift the tank lid and fill the water reservoir with fresh, cool water. Water can also be poured directly into the reservoir at the back of the coffee maker.
3. After filling the reservoir, place the carafe in the coffee maker. Make sure the lid is securely in position and the bottom of the carafe is fully seated. If the carafe is not seated, the Pause and Pour feature may not engage and may cause water and coffee to overflow the brew basket.
4. Remove the brew basket from the top of the coffee maker by grasping the locking handle on the basket.

NOTE: The filter can be inserted and coffee grounds added without removing the brew basket from the coffee maker.



A. Locking handle

5. Insert a 10-12 cup flat bottom paper filter or the Gold Tone permanent filter into the brew basket. Do not use both types of filters at the same time. Using both filters might cause water and coffee to overflow the brew basket.
6. Fill the filter with one rounded tablespoon of ground coffee for each cup desired. Use a medium grind appropriate for automatic drip coffee makers. Too fine a grind will produce bitterness and may clog the coffee filter.



NOTE: Always place the filter and coffee into the removable brew basket. Do not operate the coffee maker without the brew basket in place.

7. Shake the brew basket slightly to even out the bed of coffee. Place the basket into the coffee maker and rotate the handle toward the front of the coffee maker to lock the brew basket in place. Be sure the brew basket lid is fully closed before brewing.
8. Press the BREW button to begin brewing coffee. If you are brewing only 1 to 4 cups of coffee, refer to the “Brewing 1-4 Cups of Coffee” section.
NOTE: Lifting the brew basket lid while coffee is brewing will interrupt the brew process and impair flavor.
9. The coffee maker will sound the end-of-brew beeps when brewing is complete.
10. For glass carafe models only, at the end of 2 hours, the coffee maker will automatically shut off. To turn off the coffee maker manually, press the BREW button. The outside of the carafe may be warm to the touch after brewing. Use discretion when placing the carafe on uncovered surfaces immediately after brewing.
11. Repeat steps 1-8 to brew additional carafes of coffee. Always turn off the coffee maker and allow it to cool for 5 minutes before starting the next brew cycle.

Brewing 1-4 Cups of Coffee

NOTE: Brew one pot of fresh, cool water and discard before brewing the first pot of coffee (first time use only).

1. Repeat steps 1-7 in the “Brewing Coffee” section.
2. Press the MODE button 4 times to enter the “1-4 Cup Mode.”
3. Press the BREW button. The “1-4 Cups” indicator remains on until the coffee maker has completed the brewing cycle.
NOTE: Lifting the front lid while coffee is brewing will interrupt the brew process and impair flavor.
4. The coffee maker will sound the end-of-brewing tone when brewing is complete.
5. For glass carafe models only, at the end of 2 hours, the coffee maker will automatically shut off. To turn off the coffee maker manually, press the BREW button. The outside of the carafe may be warm to the touch after brewing. Use discretion when placing the carafe on uncovered surfaces immediately after brewing.
6. Repeat steps 1-5 to brew additional carafes of coffee. Always turn off the coffee maker and allow it to cool for 5 minutes before starting the next brew cycle.

COFFEE MAKER ENHANCED FEATURES

Pause and Pour Feature

The “Pause and Pour” feature enables you to remove the carafe from the coffee maker and pour a cup of coffee before brewing is finished. When the carafe is removed, a special valve stops the flow of coffee from the brew basket. However, brewing does not stop. If the carafe is not placed back in the coffee maker within 15 seconds, water and coffee grounds will overflow the brew basket.

Automatic Brew Timer

The coffee maker can be programmed to brew coffee at a preset time, making it easy to wake up to fresh coffee every morning. To program and activate the Automatic Brew Timer:

1. Press the AUTO SET button to enter the Auto Brew setting mode. The “Hours” indicator will flash and the “Auto Set” indicator will turn on and stay on during the Auto Brew programming cycle.
2. Press the “up arrow” button to increase the hours. Holding this button increases the time faster.
3. Press the AUTO SET button. The “Minutes” indicator will flash. Press the “up arrow” button to increase the minutes. Holding this button increases the time faster.
4. Press the AUTO SET button. The “AM/PM” indicator will flash. Press the “up arrow” button to switch between AM and PM.
5. Press the AUTO SET button to exit programming the Auto Brew setting. The “Auto Set” indicator will turn off.

Brew Strength

The coffee maker can be programmed to brew coffee at bold (BOLD) strengths (the default brew strength is regular).

To program and activate the “Bold” mode setting:

1. Press the BOLD button to select the “Bold” indicator.

NOTE: Once “Bold” is selected, it remains on until it is turned off.

Immediate Brew

1. Press the BREW button 1 time. The coffee maker will beep, and the Brew button light will turn on. Once the brew cycle is complete, the coffee maker will beep 3 times.

NOTE: The warming plate is automatically turned on during the brew cycle.

2. If desired, press the BREW button after the brew cycle is complete to turn off the warming plate. The Brew button light will turn off.

Auto Brew

1. Press and hold the BREW button. The “Auto” indicator will turn on and the brew button will flash until the coffee maker begins brewing. Once the set brew time is reached, the “Brew” button light will turn on and the coffee maker will beep.

NOTE: The warming plate is automatically turned on during the brew cycle.

2. If desired, press the BREW button after the brew cycle is complete to turn off the warming plate. The Brew button light will turn off.

COFFEE MAKER CARE

Cleaning the Coffee Maker

1. Remove the brew basket and carafe from the coffee maker.
2. Wash the brew basket and Gold Tone permanent filter in hot, soapy water and rinse with hot water. Do not use abrasive cleansers or scouring pads. These parts can also be washed in the upper rack of a dishwasher.
3. Unplug the coffee maker and wipe the housing with a warm, soapy cloth. Then wipe clean with damp cloth and dry with a soft cloth. Do not use abrasive cleansers or scouring pads.

Descaling the Coffee Maker

The coffee maker can be descaled using a packaged descaling agent or vinegar. Always mix the descaling solution using cool water.

- When using a descaling agent, follow the directions on the package for the recommended amounts of descaling agent and water to use.
- When using vinegar, fill the carafe with a solution consisting of ½ vinegar and ½ water.

Clean Indicator

Calcium deposits (scale) from water will build up in the coffee maker heat pump over time and impair brewing efficiency and coffee quality. When the coffee maker detects scale buildup, the “Clean” indicator will light. Once this occurs, descaling should be done as soon as possible to preserve the performance and life of your coffee maker.

Clean

1. Before descaling, always remove the water filter (see the “Installing the Water Filter” section) and make sure the brew basket contains no coffee or coffee filters.
2. Run the coffee maker through a complete Clean cycle using a full tank of the descaling solution.
3. Press the MODE button 5 times to enter the “Clean” mode. The “Clean” indicator will flash until this programming cycle is complete.

NOTE: To cancel the Clean mode, press the MODE button.

4. Press the BREW button to start the cleaning cycle. Once the cleaning cycle is complete, the “Clean” indicator will turn off.
5. Rinse the coffee maker by running it through 2 brewing cycles using a full water tank of fresh, cool water each time.
6. Wash the brew basket in hot, soapy water and rinse with hot water. The brew basket can also be washed in the upper rack of the dishwasher.
7. Reinstall or replace the water filter. Replace the filter every 3 months under normal use. Replace it more often under heavy use.

TROUBLESHOOTING

- **If the brew timer display is not illuminated:**
Check to see whether the coffee maker is plugged into a grounded 3-prong outlet. If it is, check the fuse or circuit breaker on the electrical circuit the coffee maker is connected to and make sure the circuit is closed.
- **If only a portion of the water added to the coffee maker actually brews:**
The coffee maker requires immediate descaling. Please refer to “Descaling the Coffee Maker” in the “Coffee Maker Care” section.
- **If “Er1” appears on the brew button timer display:**
A button may be jammed. Unplug the coffee maker and press each button several times.

⚠ WARNING



Electrical Shock Hazard

Plug into a grounded 3 prong outlet.

Do not remove ground prong.

Do not use an adapter.

Do not use an extension cord.

Failure to follow these instructions can result in death, fire, or electrical shock.

Plug the coffee maker into a grounded 3-prong outlet.

If “Er1” appears again on the display, repeat this procedure.

- **If the problem cannot be corrected:**
See the KitchenAid warranty section. Do not return the coffee maker to the retailer; retailers do not provide service.

PROOF OF PURCHASE AND PRODUCT REGISTRATION

Always keep a copy of the sales receipt showing the date of purchase of your coffee maker. Proof of purchase will assure you of in-warranty service.

Before you use your coffee maker, please fill out and mail your product registration card packed with the unit. This card will enable us to contact you in the unlikely event of a product safety notification and assist us in complying with the provisions of the Consumer Product Safety Act. This card does not verify your warranty. Please complete the following for your personal records:

Model Number _____
Serial Number _____
Date Purchased _____
Store Name and Location _____

KITCHENAID® COFFEE MAKER WARRANTY

Length of Warranty:	KitchenAid Will Pay For:	KitchenAid Will Not Pay For:
<p>50 United States, the District of Columbia, Canada, and Puerto Rico: One-year limited warranty from date of purchase.</p>	<p>50 United States, the District of Columbia and Canada: Hassle-free replacement of your coffee maker. See the following page for details on how to arrange for replacement.</p> <p>OR</p> <p>In Puerto Rico: The replacement parts and repair labor costs to correct defects in materials and workmanship. Service must be provided by an Authorized KitchenAid Service Center. To arrange for service, follow the instructions in the "How to Arrange for Warranty Service in Puerto Rico."</p>	<p>A. Repairs when coffee maker is used in other than normal single family home use.</p> <p>B. Damage resulting from accident, alteration, misuse or abuse or use with products not approved by KitchenAid.</p> <p>C. Replacement parts or repair labor costs for coffee maker when operated outside the country of purchase.</p>

DISCLAIMER OF IMPLIED WARRANTIES; LIMITATION OF REMEDIES IMPLIED WARRANTIES, INCLUDING TO THE EXTENT APPLICABLE WARRANTIES OF MERCHANTABILITY OR FITNESS FOR A PARTICULAR PURPOSE, ARE EXCLUDED TO THE EXTENT LEGALLY PERMISSIBLE. ANY IMPLIED WARRANTIES THAT MAY BE IMPOSED BY LAW ARE LIMITED TO ONE YEAR, OR THE SHORTEST PERIOD ALLOWED BY LAW. SOME STATES AND PROVINCES DO NOT ALLOW LIMITATIONS OR EXCLUSIONS ON HOW LONG AN IMPLIED WARRANTY OF MERCHANTABILITY OR FITNESS LASTS, SO THE ABOVE LIMITATIONS OR EXCLUSIONS MAY NOT APPLY TO YOU.

IF THIS PRODUCT FAILS TO WORK AS WARRANTED, CUSTOMER'S SOLE AND EXCLUSIVE REMEDY SHALL BE REPAIR OR REPLACEMENT ACCORDING TO THE TERMS OF THIS LIMITED WARRANTY. KITCHENAID AND KITCHENAID CANADA DO NOT ASSUME ANY RESPONSIBILITY FOR INCIDENTAL OR CONSEQUENTIAL DAMAGES. This warranty gives you specific legal rights and you may also have other rights which vary from state to state or province to province.

Hassle-Free Replacement Warranty – 50 United States and District of Columbia

We're so confident the quality of our products meets the exacting standards of KitchenAid that, if your coffee maker should fail within the first year of ownership, KitchenAid will arrange to deliver an identical or comparable replacement to your door free of charge and arrange to have your original coffee maker returned to us. Your replacement unit will also be covered by our one year limited warranty. Please follow these instructions to receive this high-quality service.

If your KitchenAid® coffee maker should fail within the first year of ownership, simply call our toll-free Customer Satisfaction Center at 1-800-541-6390 Monday through Friday, 8 a.m. to 8 p.m. (Eastern Time), or Saturday, 10 a.m. to 5 p.m. Give the consultant your complete shipping address. (No P.O. Box numbers, please.)

When you receive your replacement coffee maker, use the carton and packing materials to pack up your original coffee maker. In the carton, include your name and address on a sheet of paper along with a copy of the proof of purchase (register receipt, credit card slip, etc.).

Hassle-Free Replacement Warranty – Canada

We're so confident the quality of our products meets the exacting standards of the KitchenAid® brand that, if your coffee maker should fail within the first year of ownership, KitchenAid Canada will replace your coffee maker with an identical or comparable replacement. Your replacement unit will also be covered by our one year limited warranty. Please follow these instructions to receive this high-quality service.

If your KitchenAid® coffee maker should fail within the first year of ownership, take the coffee maker or ship collect to an Authorized KitchenAid Service Centre. In the carton include your name and complete shipping address along with a copy of the proof of purchase (register receipt, credit card slip, etc.). Your replacement coffee maker will be returned prepaid and insured. If you are unable to obtain satisfactory service in this manner call our toll-free Customer eXperience Centre at 1-800-807-6777.

Or write to:

Customer eXperience Centre
KitchenAid Canada
200 - 6750 Century Ave.
Mississauga, ON L5N 0B7

How to Arrange for Warranty Service in Puerto Rico

Your KitchenAid® coffee maker is covered by a one-year limited warranty from the date of purchase. KitchenAid will pay for replacement parts and labor costs to correct defects in materials and workmanship. Service must be provided by an Authorized KitchenAid Service Center.

Take the coffee maker or ship prepaid and insured to an Authorized KitchenAid Service Center. Your repaired coffee maker will be returned prepaid and insured. If you are unable to obtain satisfactory service in this manner, call toll-free 1-800-541-6390 to learn the location of a Service Center near you.

How to Arrange for Service after the Warranty Expires – All Locations

Before calling for service, please review the “Troubleshooting” section.

For service information in the 50 United States, District of Columbia, and Puerto Rico, call toll-free 1-800-541-6390.

Or write to:

Customer Satisfaction Center
KitchenAid Portable Appliances
P.O. Box 218, St. Joseph, MI 49085-0218

Or contact an Authorized Service Center near you.

For service information in Canada, call toll-free 1-800-807-6777.

Or write to:

Customer eXperience Centre
KitchenAid Canada
200 - 6750 Century Ave.
Mississauga, ON L5N 0B7

How to Arrange for Service Outside these Locations

Consult your local KitchenAid dealer or the store where you purchased the coffee maker for information on how to obtain service.

For service information in Mexico, call the KitchenAid® line 01-800-002-2767.

How to Order Accessories and Replacement Parts

To order accessories or replacement parts for your coffee maker in the 50 United States, District of Columbia, and Puerto Rico,

call toll-free 1-800-541-6390 Monday through Friday, 8 a.m. to 8 p.m. (Eastern Time), or Saturday, 10 a.m. to 5 p.m.

Or write to:

Customer Satisfaction Center
KitchenAid Portable Appliances
P.O. Box 218
St. Joseph, MI 49085-0218

To order accessories or replacement parts for your coffee maker in Canada, call toll-free 1-800-807-6777.

Or write to:

Customer eXperience Centre
KitchenAid Canada
200 - 6750 Century Ave.
Mississauga, ON L5N 0B7

To order accessories or replacement parts for your coffee maker in Mexico, call the KitchenAid® line 01-800-002-2767.

SÉCURITÉ DE LA CAFETIÈRE

Votre sécurité et celle des autres est très importante.

Nous donnons de nombreux messages de sécurité importants dans ce manuel et sur votre appareil ménager. Assurez-vous de toujours lire tous les messages de sécurité et de vous y conformer.



Voici le symbole d'alerte de sécurité.

Ce symbole d'alerte de sécurité vous signale les dangers potentiels de décès et de blessures graves à vous et à d'autres.

Tous les messages de sécurité suivront le symbole d'alerte de sécurité et le mot "DANGER" ou "AVERTISSEMENT". Ces mots signifient :

! DANGER

Risque possible de décès ou de blessure grave si vous ne suivez pas immédiatement les instructions.

! AVERTISSEMENT

Risque possible de décès ou de blessure grave si vous ne suivez pas les instructions.

Tous les messages de sécurité vous diront quel est le danger potentiel et vous disent comment réduire le risque de blessure et ce qui peut se produire en cas de non-respect des instructions.

MESURES DE SÉCURITÉ IMPORTANTES

Lors de l'utilisation d'appareils électriques, il faut toujours observer certaines précautions élémentaires de sécurité, y compris les suivantes :

- Lire toutes les instructions.
- Ne pas toucher de surface chaude. Utiliser les poignées ou les boutons.
- Pour se protéger contre toute décharge électrique, ne pas immerger le cordon, les prises ou la cafetière dans de l'eau ou dans tout autre liquide.
- Une surveillance attentive s'impose lorsqu'un appareil ménager est utilisé par ou à proximité d'enfants.
- Débrancher la cafetière lorsqu'elle n'est pas utilisée et avant le nettoyage. Attendre le refroidissement total avant d'installer ou de retirer des pièces.
- Ne pas faire fonctionner un appareil dont le cordon ou la prise est endommagé(e), lorsque l'appareil ne fonctionne pas correctement ou lorsqu'il a été endommagé d'une quelconque façon. Retourner l'appareil au centre de service agréé le plus proche pour examen, réparation ou réglage.
- L'utilisation d'accessoires de fixation non recommandés par le fabricant de l'appareil peut causer des blessures.
- Ne pas utiliser à l'extérieur.
- Ne pas laisser le cordon pendre sur le côté d'une table ou d'un comptoir, ou toucher une surface chaude.

- Ne pas placer sur ou près d'un brûleur électrique ou à gaz chaud, ou dans un four chaud.
- Ne pas utiliser l'appareil pour un autre usage que celui pour lequel il est conçu.
- Ne pas faire fonctionner d'appareil sans que le couvercle ne soit correctement placé sur le récipient (carafe).
- Le récipient (carafe) est conçu pour être utilisé avec cet appareil. Il ne doit jamais être utilisé sur une cuisinière ou dans un four à micro-ondes.
- Ne pas placer de récipient chaud (carafe) sur une surface mouillée ou froide.
- Ne pas utiliser de récipient fêlé (carafe) ou de récipient dont la poignée est lâche ou si elle n'est pas solide.
- Ne pas nettoyer de récipient avec des nettoyeurs abrasifs, des tampons en laine d'acier ou tout autre matériau abrasif.
- Ce produit est conçu uniquement pour un usage domestique.

CONSERVER CES INSTRUCTIONS

SPÉCIFICATIONS ÉLECTRIQUES

⚠ AVERTISSEMENT



Risque de choc électrique

Brancher sur une prise à 3 alvéoles reliée à la terre.

Ne pas enlever la broche de liaison à la terre.

Ne pas utiliser un adaptateur.

Ne pas utiliser un câble de rallonge.

Le non-respect de ces instructions peut causer un décès, un incendie ou un choc électrique.

Volts : 120 volts CA uniquement

Hertz : 60 Hz

REMARQUE : Cette cafetière comporte une prise à 3 alvéoles reliée à la terre. Pour réduire le risque de choc électrique, cette fiche ne peut être insérée dans une prise que dans un seul sens.

Si cette fiche ne convient pas à la prise, contacter un électricien qualifié. Ne pas modifier la prise de quelque manière que ce soit.

Ne pas utiliser de câble de rallonge. Si le cordon d'alimentation électrique est trop court, faire installer une prise près de l'appareil électroménager par un électricien ou un technicien de service qualifié.

On doit utiliser un cordon d'alimentation court (ou détachable) afin de réduire le risque qu'une personne s'emmêle dans un cordon d'alimentation qui serait plus long ou trébuche dessus.

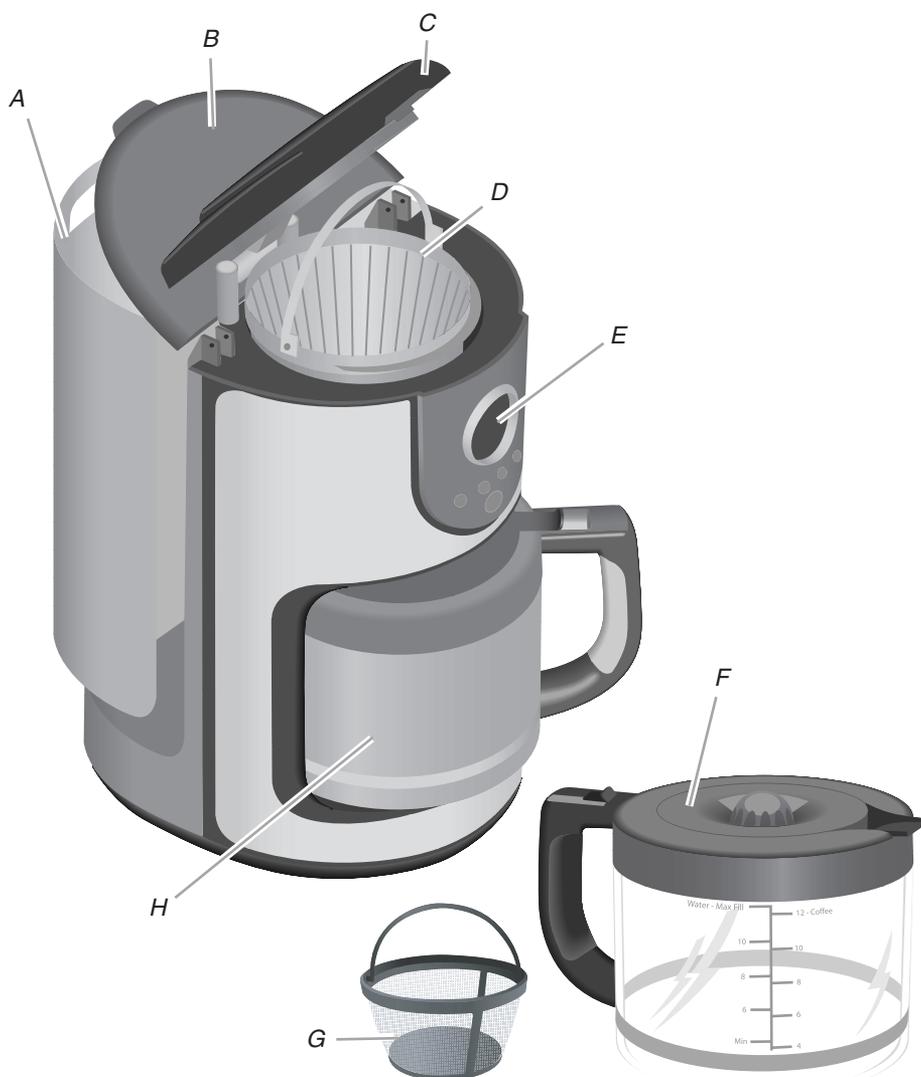
Des cordons d'alimentation ou rallonges amovibles plus longs existent et peuvent être utilisés.

Si on utilise un cordon d'alimentation détachable ou de rallonge plus long :

- Les caractéristiques électriques indiquées de l'ensemble de cordon ou de rallonge doivent être au moins aussi élevées que les caractéristiques électriques de l'appareil.
- Le cordon doit être disposé de sorte qu'il ne pende pas par dessus le plan de travail ou la table de cuisine, où des enfants pourraient tirer dessus ou trébucher dessus involontairement.

Si l'appareil comporte une mise à la terre, la rallonge doit être un cordon de type mise à la terre à 3 conducteurs.

CARACTÉRISTIQUES DE LA CAFETIÈRE KITCHENAID®



- A. Réservoir d'eau amovible
- B. Couvercle du réservoir d'eau
- C. Couvercle de la cavité d'infusion
- D. Panier à infusion

- E. Affichage programmable
- F. Carafe en verre (uniquement sur les modèles avec carafe en verre)
- G. Filtre doré permanent
- H. Carafe thermique (uniquement sur les modèles avec carafe thermique)

Caractéristique 1 à 4 tasses

Cette caractéristique permet de garantir un arôme idéal, même lorsqu'on ne prépare pas une carafe entière.

Avertissement de nettoyage

Le témoin d'avertissement de nettoyage indique à l'utilisateur le moment où la cafetière doit être nettoyée.

Caractéristique Pause and Pour (pause et versement)

Met la cafetière en pause et laisse l'utilisateur retirer la carafe et se servir une tasse de café avant la fin du processus d'infusion. Une valve spéciale referme solidement le panier à infusion, empêchant ainsi tout égouttement.

Signal sonore de fin d'infusion

Un signal sonore retentit lorsque le café est infusé.

Arrêt automatique

La cafetière s'arrête automatiquement 2 heures après l'infusion.

Panier à infusion

Soulever le couvercle avant pour pouvoir accéder au panier à infusion amovible et lavable au lave-vaisselle. Pour le panier, on peut utiliser soit un filtre en papier à fond plat de 10 à 12 tasses, soit le filtre doré permanent.

Réservoir d'eau amovible

La cafetière comporte un réservoir d'eau amovible pratique avec graduations de niveau d'eau. Retirer le réservoir et ajouter l'eau directement dans le réservoir d'eau ou soulever le couvercle pour ajouter l'eau. Il est conseillé de laver le réservoir à la main.

Minuterie d'infusion automatique

Une minuterie de 24 heures facile à régler permet de faire infuser le café à n'importe quelle heure du jour ou de la nuit.

Carafe en verre ou carafe thermique

Les carafes en verre de 12 tasses et carafes thermiques de 10 tasses comportent un bec verseur anti-gouttes et une poignée avec prise confortable et douce. Les deux types de carafes peuvent être lavés dans le panier supérieur du lave-vaisselle.

Filtre doré permanent

Le filtre doré haute performance supprime la nécessité d'utiliser des filtres à café en papier. On peut cependant utiliser des filtres à café en papier avec la cafetière si on le souhaite. Le filtre doré peut être lavé dans le panier supérieur du lave-vaisselle.

Affichage de l'horloge

Affiche l'heure et les témoins AM et PM. Pour économiser de l'énergie, l'affichage de l'horloge passe au mode de veille et réduit la luminosité de l'affichage lorsque la cafetière n'est pas en service.

Sélecteur de degré d'infusion variable

Permet à l'utilisateur de choisir un degré d'infusion REG (classique) ou BOLD (fort).

AFFICHAGE ET CARACTÉRISTIQUES DES TOUCHES DE COMMANDE

Commandes de la cafetière



- A. Bouton de sélection de mode
- B. Bouton Auto/set (automatique/réglage)
- C. Bouton d'infusion
- D. Bouton Bold (fort)
- E. Bouton de flèche vers le haut

Bouton de sélection du mode

Appuyer sur ce bouton pour sélectionner les modes de programmes.

Bouton Auto/Set (automatique/réglage)

Appuyer sur ce bouton pour programmer une durée d'infusion automatique.

Bouton Brew (infusion)

Appuyer sur ce bouton pour sélectionner le mode d'infusion ou mettre la cafetière en marche et pour l'éteindre.

Bouton Bold (fort)

Appuyer sur ce bouton pour sélectionner le mode Bold (fort).

Bouton à flèche vers le haut

Utiliser le bouton "à flèche vers le haut" pour programmer la minuterie d'infusion ou régler l'heure sur l'horloge.

Affichage de la cafetière



- A. Témoin Auto set (réglage automatique)
- B. Témoin de mode automatique
- C. Témoin 1 à 4 tasses
- D. Témoin Bold (fort)
- E. Témoin Clean (nettoyage)
- F. Affichage de l'horloge/durée d'infusion automatique

Témoin Auto Set (réglage automatique)

Lorsqu'il est allumé, il indique que la cafetière est au mode Auto Set.

Témoin de mode automatique

Lorsqu'il est allumé, il indique que la cafetière est au mode Auto Brew (infusion automatique).

Témoin 1 à 4 tasses

Lorsqu'il est allumé, il indique que la cafetière est au mode d'infusion 1-4 Cup (1 à 4 tasses).

Témoin Bold (fort)

Lorsqu'il est allumé, il indique que la cafetière est au mode Auto Bold (fort).

Témoin Clean (nettoyage)

Ce témoin s'allume lorsque la cafetière nécessite un détartrage.

Affichage de l'horloge

Indique l'heure avec le témoin AM ou PM et la durée d'infusion automatique.

SUGGESTIONS D'INFUSION DE CAFÉ : CONSEIL POUR UN ARÔME IDÉAL

Grains de café frais

Un grand café, c'est d'abord des grains de café frais. Pour préserver la fraîcheur des grains de café, les conserver dans un récipient opaque et hermétique et l'entreposer dans un endroit frais et sec. Il n'est pas conseillé de les réfrigérer car de la condensation a tendance à se former sur les grains chaque fois que l'on ouvre le récipient. On peut congeler les grains de café pour les préserver si l'on sait qu'ils ne seront pas consommés avant longtemps, mais la congélation altèrera aussi le goût.

Le calibre idéal de moulure

Une tasse de café parfaite, c'est aussi des grains de café parfaitement moulus juste avant infusion. Lors du moulage, veiller à obtenir une moulure moyenne - elle est la moulure qui convient le mieux aux cafetières à versement automatique.

Acheter les moulins à café aplatisseurs ou à lame KitchenAid® chez votre marchand ou en ligne à l'adresse www.kitchenaid.com.

Quantité idéale de café moulu

Comme point de repère, on peut utiliser une cuillère à café pour chaque tasse d'eau d'infusion indiquée sur la carafe en verre du réservoir d'eau. Une moulure plus fine nécessite généralement moins de café mais entraîne également un goût plus amer; de plus cela obstrue le filtre.

Pour un café plus léger, faire infuser en utilisant la proportion de café et moulu d'eau suggérée puis diluer le tout dans de l'eau chaude. Ceci optimisera le goût et minimisera l'amertume du goût.

Pureté de l'eau d'infusion

Un café savoureux, c'est d'abord de l'eau fraîche. Le réservoir d'eau amovible est facile à remplir, ce qui vous permet de savourer un café délicieux à chaque fois. Il est aussi facile à nettoyer; vous pouvez donc préparer votre café avec une eau parfaitement fraîche.

Si l'eau du circuit local est de très mauvaise qualité, il sera peut-être préférable d'utiliser de l'eau en bouteille. Ne pas utiliser d'eau distillée ou d'eau minérale car elles peuvent endommager la cafetière.

Propreté de la cafetière

Les huiles de café qui s'accumulent dans le panier à infusion et la carafe peuvent tourner et altérer le goût du café infusé; il est donc important de nettoyer quotidiennement ces deux éléments afin d'obtenir un café à l'arôme idéal.

PRÉPARATION DE LA CAFETIÈRE POUR UTILISATION

Nettoyage avant utilisation

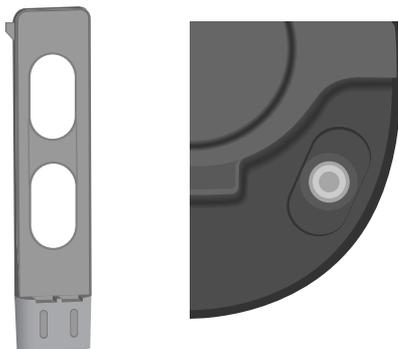
Laver le panier à infusion, le filtre doré permanent et la carafe à l'eau chaude et savonneuse, puis rincer dans une eau propre et sécher. Ne pas utiliser de nettoyeurs abrasifs ou un tampon à récurer.

Installation du filtre à eau

L'utilisation du filtre à eau est fortement recommandée. Le filtre réduit la présence de contaminants qui altèrent l'arôme du café. L'utilisation du filtre est facultative. La cafetière fonctionne normalement, même sans ce filtre.

Le filtre à eau doit être utilisé avec une eau traitée par la municipalité ou une eau de puisage régulièrement testée sur sa teneur en contaminants.

1. Le filtre comporte une longue poignée avec une cartouche de filtre à son extrémité.
2. Placer la cartouche de filtre dans un récipient séparé rempli d'eau froide et fraîche. La cartouche doit rester submergée dans l'eau pendant 10 minutes. Rincer le filtre sous l'eau courante pendant 5 secondes après l'avoir fait tremper.
3. Soulever le couvercle du réservoir à eau avec l'onglet situé à l'arrière du couvercle.
4. Placer la cartouche du filtre dans le creux situé au fond du réservoir d'eau. Enfoncer légèrement la cartouche pour s'assurer qu'elle est solidement installée.



5. Chaque fois que l'on installe un nouveau filtre, faire fonctionner un programme d'infusion complet sans café. Utiliser une carafe pleine d'eau propre et fraîche.

Réglage de l'horloge

⚠️ AVERTISSEMENT



Risque de choc électrique

Brancher sur une prise à 3 alvéoles reliée à la terre.

Ne pas enlever la broche de liaison à la terre.

Ne pas utiliser un adaptateur.

Ne pas utiliser un câble de rallonge.

Le non-respect de ces instructions peut causer un décès, un incendie ou un choc électrique.

1. Brancher l'appareil dans une prise à 3 alvéoles reliée à la terre.

2. Lorsqu'on branche la cafetière pour la première fois ou si l'on rétablit l'alimentation électrique après une coupure de courant, l'affichage de la minuterie d'infusion indique automatiquement 12:00 AM.
3. Appuyer sur le bouton MODE pour accéder au mode de réglage Time/Clock (heure/horloge). Les chiffres des heures clignotent pendant le réglage des heures.
4. Appuyer sur le bouton "à flèche vers le haut" pour augmenter les heures. Maintenir ce bouton enfoncé pour avancer l'heure plus vite.
5. Appuyer de nouveau sur le bouton MODE. Les chiffres des minutes clignotent pendant le réglage des minutes.
6. Appuyer sur le bouton "à flèche vers le haut" pour augmenter les minutes. Maintenir ce bouton enfoncé pour avancer l'heure plus vite.
7. Appuyer de nouveau sur le bouton MODE. Les chiffres AM/PM clignotent pendant le réglage AM/PM.
8. Appuyer sur le bouton "à flèche vers le haut" pour alterner entre AM et PM.

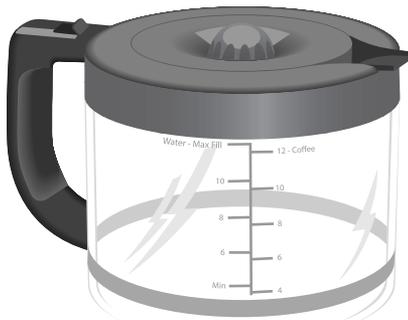
UTILISATION DE LA CAFETIÈRE KITCHENAID®

Infusion de plus de 4 tasses de café

REMARQUE : Avant de faire infuser la première carafe de café, faire infuser une carafe d'eau fraîche et froide puis la jeter (première utilisation uniquement).

1. Retirer le réservoir d'eau et le remplir d'eau froide et fraîche pour produire la quantité de café souhaitée. Une échelle à graduations sur le réservoir permet de mesurer la quantité d'eau nécessaire. Lorsqu'on remet en place le réservoir, s'assurer que les trous situés au sommet du réservoir sont alignés avec les onglets à l'arrière du logement de la cafetière.

Pour les modèles avec carafe en verre uniquement, le côté droit de l'échelle (Coffee) [café] correspond à la mesure du volume de café. Le côté gauche de l'échelle (Water) [eau] indique la quantité d'eau nécessaire pour produire un nombre de tasses donné.



2. Pour les modèles avec carafe en verre uniquement, soulever le couvercle du réservoir et remplir le réservoir d'eau avec de l'eau fraîche et froide. On peut aussi verser l'eau directement dans le réservoir à l'arrière de la cafetière.
3. Après avoir rempli le réservoir, placer la carafe dans la cafetière. S'assurer que le couvercle est bien en place et que le fond de la carafe est bien installé. Si la carafe n'est pas bien installée, la caractéristique Pause and Pour (pause et versement) peut ne pas fonctionner, ce qui pourrait entraîner un débordement d'eau et de café par dessus le panier à infusion.
4. Retirer le panier à infusion du dessus de la cafetière en saisissant la poignée de verrouillage située sur le panier.

REMARQUE : On peut insérer le filtre et le café moulu sans avoir à retirer le panier à infusion de la cafetière.



A. Poignée de verrouillage

5. Insérer un filtre en papier à fond plat de 10 à 12 tasses ou placer le filtre doré permanent dans le panier à infusion. Ne pas utiliser les deux types de filtres en même temps. Le fait d'utiliser les deux filtres en même temps pourrait entraîner le débordement de l'eau et du café par dessus le panier à infusion.
6. Remplir le filtre en utilisant une cuillère à soupe pleine de café moulu par tasse de café. Utiliser une mouture moyenne pour les cafetières automatiques. Une mouture trop fine entraînera un goût amer et risque d'obstruer le filtre à café.
10. Pour les carafes en verre uniquement, la cafetière s'éteint automatiquement au bout de 2 heures. Pour arrêter la cafetière manuellement, appuyer sur le bouton BREW (infusion). Il est possible que la carafe soit chaude au toucher après l'infusion. Il appartient à l'utilisateur de déterminer s'il est prudent ou non de placer la carafe sur des surfaces nues immédiatement après l'infusion.
11. Répéter les étapes 1 à 8 pour faire infuser des carafes de café supplémentaires. Toujours éteindre la cafetière et la laisser refroidir pendant 5 minutes avant de commencer le programme d'infusion suivant.



REMARQUE : Toujours placer le filtre et le café dans le panier à infusion amovible. Ne pas faire fonctionner la cafetière sans que le panier à infusion ne soit en place.

7. Secouer légèrement le panier à infusion pour répartir le café dans le fond. Placer le panier dans la cafetière et faire pivoter la poignée vers l'avant de la cafetière pour verrouiller le panier. S'assurer que le clapet du panier à infusion est complètement fermé avant le processus d'infusion.
8. Appuyer sur le bouton BREW (infusion) pour démarrer le processus d'infusion du café. Si l'on ne fait infuser qu'une à quatre tasses de café, consulter la section "Infusion d'une à quatre (1 à 4) tasses de café".

REMARQUE : Si l'on soulève le clapet du panier à infusion pendant que le café est en cours d'infusion, le processus d'infusion sera interrompu et l'arôme du café sera affecté.

9. Une fois l'infusion terminée, la cafetière émet des signaux sonores indiquant la fin du processus d'infusion.
6. Répéter les étapes 1 à 5 pour faire infuser des carafes de café supplémentaires. Toujours éteindre la cafetière et la laisser refroidir pendant 5 minutes avant de commencer le programme d'infusion suivant.

Infusion d'une à quatre (1 à 4) tasses de café

REMARQUE : Avant de faire infuser la première carafe de café, faire infuser une carafe d'eau fraîche et froide puis la jeter (première utilisation uniquement).

1. Répéter les étapes 1 à 7 de la section "Infusion du café".
2. Appuyer 4 fois sur le bouton MODE pour passer au mode "1-4 Cups" (1 à 4 tasses).
3. Appuyer sur le bouton BREW (infusion). Le témoin "1-4 Cups" (1 à 4 tasses) reste allumé jusqu'à ce que la cafetière ait terminé le programme d'infusion.

REMARQUE : Si l'on soulève le clapet pendant que le café est en cours d'infusion, le processus d'infusion sera interrompu et l'arôme du café sera affecté.

4. La cafetière émet un signal sonore de fin d'infusion une fois l'infusion terminée.
5. Pour les carafes en verre uniquement, la cafetière s'éteint automatiquement au bout de 2 heures. Pour arrêter la cafetière manuellement, appuyer sur le bouton BREW (infusion). Il est possible que la carafe soit chaude au toucher après l'infusion. Il appartient à l'utilisateur de déterminer s'il est prudent ou non de placer la carafe sur des surfaces nues immédiatement après l'infusion.
6. Répéter les étapes 1 à 5 pour faire infuser des carafes de café supplémentaires. Toujours éteindre la cafetière et la laisser refroidir pendant 5 minutes avant de commencer le programme d'infusion suivant.

CARACTÉRISTIQUES AVANCÉES DE LA CAFETIÈRE

Caractéristique Pause and Pour (pause et versement)

La caractéristique "Pause and Pour" (pause et versement) permet à l'utilisateur de retirer la carafe de la cafetière et de verser une tasse de café avant que l'infusion ne soit terminée. Lorsqu'on retire la carafe, une valve spéciale bloque le versement du café qui se fait par le panier à infusion. Ceci n'interrompt cependant pas le processus d'infusion. Si l'on ne remplace pas la carafe dans la cafetière dans les 15 secondes qui suivent, l'eau et le café déborderont du panier à infusion.

Minuterie d'infusion automatique

La cafetière peut être programmée pour démarrer l'infusion du café à un moment précis, vous simplifiant ainsi la vie en mettant à votre disposition du café frais dès le réveil. Pour programmer et activer la minuterie d'infusion automatique :

1. Appuyer sur le bouton AUTO SET (réglage automatique) pour entrer au mode de réglage Auto Brew (infusion automatique). Le témoin "Hours" (heures) clignote et le témoin "Auto Set" s'allume et reste allumé pendant le programme d'infusion automatique.
2. Appuyer sur le bouton "à flèche vers le haut" pour augmenter les heures. Maintenir ce bouton enfoncé pour avancer l'heure plus vite.
3. Appuyer sur le bouton AUTO SET (réglage automatique). Le témoin lumineux "Minutes" clignote. Appuyer sur le bouton "à flèche vers le haut" pour augmenter les minutes. Maintenir ce bouton enfoncé pour avancer l'heure plus vite.
4. Appuyer sur le bouton AUTO SET (réglage automatique). Le témoin lumineux "AM/PM" clignote. Appuyer sur le bouton "à flèche vers le haut" pour alterner entre AM et PM.
5. Appuyer sur le bouton AUTO SET (réglage automatique) pour quitter la programmation du réglage Auto Brew (infusion automatique). Le témoin lumineux "Auto Set" s'éteint.

Degré d'infusion

La cafetière peut être programmée pour faire infuser le café au niveau fort (BOLD) (la force d'infusion par défaut est classique).

Pour programmer et activer le réglage du mode "Bold" :

1. Appuyer sur le bouton BOLD pour sélectionner le témoin "Bold"

REMARQUE : Une fois que "Bold" a été sélectionné, il reste activé jusqu'à ce qu'on l'éteigne.

Infusion immédiate

1. Appuyer 1 fois sur le bouton BREW (infusion). La cafetière émet un bip et le bouton Brew (infusion) s'allume. Une fois le programme d'infusion terminé, la cafetière émet 3 bips.

REMARQUE : La plaque-réchaud est automatiquement activée durant le programme d'infusion.

2. Si désiré, appuyer sur le bouton BREW (infusion) une fois le programme d'infusion terminé pour désactiver la plaque-réchaud. Le bouton du témoin lumineux Brew (infusion) s'éteint.

Infusion automatique

1. Appuyer sans relâcher sur le bouton BREW (infusion). Le témoin "Auto" s'allume et le témoin du bouton d'infusion clignote jusqu'à ce que la cafetière commence à faire infuser le café. Une fois l'heure d'infusion atteinte, le bouton "Brew" s'allume et la cafetière émet un bip.

REMARQUE : La plaque-réchaud est automatiquement activée durant le programme d'infusion.

2. Si désiré, appuyer sur le bouton BREW (infusion) une fois le programme d'infusion terminé pour désactiver la plaque-réchaud. Le bouton du témoin lumineux Brew (infusion) s'éteint.

ENTRETIEN DE LA CAFETIÈRE

Nettoyage de la cafetière

1. Retirer le panier à infusion et la carafe de la cafetière.
2. Laver le panier à infusion et le filtre doré permanent à l'eau chaude et savonneuse, puis rincer à l'eau chaude. Ne pas utiliser de nettoyants abrasifs ou de tampons à récurer. Ces parties peuvent également être lavées dans le panier supérieur du lave-vaisselle.
3. Débrancher la machine à café et essuyer le logement avec un chiffon imbibé d'eau savonneuse et tiède. Essuyer ensuite avec un chiffon humide et sécher avec un chiffon doux. Ne pas utiliser de nettoyants abrasifs ou de tampons à récurer.

Détartrage de la cafetière

La cafetière peut être détartrée à l'aide d'un agent de détartrage ou de vinaigre. Toujours diluer la solution de détartrage avec de l'eau froide.

- Lors de l'utilisation d'un agent de détartrage, suivre les instructions de l'emballage pour connaître les quantités d'agent de détartrage et d'eau recommandées.
- Lorsqu'on utilise du vinaigre, remplir la carafe d'un mélange de ½ vinaigre et ½ eau.

Témoin Clean (nettoyage)

Avec le temps, des dépôts de calcium (tartre) présents dans l'eau s'accumulent dans la pompe de chauffage de la cafetière et réduisent l'efficacité du processus d'infusion ainsi que la qualité du café. Lorsque la cafetière détecte une accumulation de tartre, le témoin lumineux "Clean" (nettoyage) s'allume. Lorsque cela se produit, on doit procéder à un détartrage dès que possible pour préserver la performance et la durée de vie de la cafetière.

Clean (propre)

1. Avant un détartrage, toujours retirer le filtre à eau (voir la section "Installation du filtre à eau") et s'assurer que le panier à infusion ne contient pas de café ou de filtre à café.
2. Faire fonctionner un programme de nettoyage complet en remplissant le réservoir plein de la solution de détartrage.
3. Appuyer 5 fois sur le bouton MODE pour passer au mode "Clean" (nettoyage). Le témoin "Clean" (nettoyage) clignote jusqu'à ce que ce programme de programmation soit terminé.
REMARQUE : Pour annuler le mode Clean, appuyer sur le bouton MODE.
4. Appuyer sur le bouton BREW (infusion) pour démarrer le programme de nettoyage. Une fois le programme de nettoyage terminé, le témoin "Clean" (nettoyage) s'éteint.
5. Rincer la cafetière en faisant fonctionner 2 programmes d'infusion en remplissant chaque fois le réservoir d'eau fraîche et froide.
6. Laver le panier à infusion dans une eau chaude et savonneuse et rincer à l'eau chaude. Le panier à infusion peut également être lavé dans le panier supérieur du lave-vaisselle.
7. Réinstaller ou remplacer le filtre à eau. Dans le cadre d'une utilisation normale, remplacer le filtre tous les 3 mois. Le remplacer plus souvent en cas d'utilisation intensive ou si l'eau utilisée est dure.

DÉPANNAGE

- **Si l'affichage de la minuterie d'infusion n'est pas allumé :**
Vérifier que la cafetière est branchée dans une prise à 3 alvéoles reliée à la terre. Si tel est le cas, inspecter le fusible ou coupe-circuit du circuit électrique auquel la cafetière est raccordée et s'assurer que le circuit est fermé.
- **Si seule une partie de l'eau versée dans la cafetière infuse :**
La cafetière nécessite un détartrage immédiat. Consulter "Détartrage de la cafetière" dans la section "Entretien de la cafetière".
- **Si "Er1" apparaît sur l'affichage de la minuterie du bouton d'infusion :**
Un bouton est peut-être coincé. Débrancher la cafetière et appuyer plusieurs fois sur chaque bouton.

⚠ AVERTISSEMENT



Risque de choc électrique

Brancher sur une prise à 3 alvéoles reliée à la terre.

Ne pas enlever la broche de liaison à la terre.

Ne pas utiliser un adaptateur.

Ne pas utiliser un câble de rallonge.

Le non-respect de ces instructions peut causer un décès, un incendie ou un choc électrique.

Brancher la cafetière dans une prise à 3 alvéoles reliée à la terre.

Si "Er1" apparaît de nouveau sur l'affichage, répéter cette procédure.

- **Si le problème ne peut être résolu :**
Voir la section de la garantie KitchenAid. Ne retournez pas la cafetière au vendeur - un vendeur n'assure pas de service après-vente.

PREUVE D'ACHAT ET ENREGISTREMENT DU PRODUIT

Veillez toujours conserver une copie du ticket de caisse indiquant la date d'achat de la cafetière. La preuve d'achat vous garantit le bénéfice du service après-vente.

Avant d'utiliser la cafetière, veuillez remplir et expédier la carte d'enregistrement du produit emballée avec l'appareil. Grâce à cette carte, nous pourrions vous contacter dans l'éventualité improbable d'un avis de sécurité concernant le produit; ceci nous aidera aussi à nous conformer aux dispositions de la loi sur la sécurité des produits de consommation. Cette carte ne confirme pas votre garantie. Veuillez remplir ce qui suit pour vos dossiers personnels :

Numéro de modèle _____

Numéro de série _____

Date d'achat _____

Nom et adresse du magasin _____

GARANTIE DE LA CAFETIÈRE KITCHENAID®

Durée de la garantie :	KitchenAid paiera pour :	KitchenAid ne paiera pas pour :
<p>50 États des États-Unis, district fédéral de Columbia, Canada et Porto Rico : Garantie limitée d'un an à compter de la date d'achat.</p>	<p>50 États des États-Unis, district fédéral de Columbia et Canada : Remplacement sans difficulté de votre cafetière. Voir la page suivante pour des détails sur la procédure à suivre pour un remplacement.</p> <p>OU</p> <p>À Porto Rico : Les frais de pièces de rechange et de main-d'œuvre pour corriger les vices de matériaux et de fabrication. Le service doit être fourni par un centre de réparation agréé KitchenAid. Pour les dispositions nécessaires à une intervention de dépannage, suivre les instructions de "Dispositions nécessaires pour un service sous garantie à Porto Rico".</p>	<p>A. Les réparations lorsque la cafetière est utilisée à des fins autres que l'usage domestique unifamilial normal.</p> <p>B. Dommages causés par: accident, altération, mésusage, usage abusif ou utilisation avec des produits non approuvés par KitchenAid.</p> <p>C. Les frais de pièces de rechange ou de main-d'œuvre pour la cafetière lorsqu'on fait fonctionner celle-ci en dehors du pays dans lequel elle a été achetée.</p>

CLAUSE D'EXONÉRATION DE RESPONSABILITÉ AU TITRE DES GARANTIES IMPLICITES; LIMITATION DES RECOURS. LES GARANTIES IMPLICITES, Y COMPRIS LES GARANTIES PROLONGÉES APPLICABLES DE QUALITÉ MARCHANDE OU D'APTITUDE À UN USAGE PARTICULIER, SONT EXCLUES DE LA PRÉSENTE GARANTIE, ET CE DANS LES LIMITES AUTORISÉES PAR LA LOI. TOUTE GARANTIE IMPLICITE POUVANT ÊTRE IMPOSÉE PAR LA LOI EST LIMITÉE À UN AN, OU À LA PLUS COURTE PÉRIODE AUTORISÉE PAR LA LOI. CERTAINES JURIDICTIONS NE PERMETTENT PAS LA LIMITATION DE LA DURÉE DE VALIDITÉ DES GARANTIES IMPLICITES DE QUALITÉ MARCHANDE OU D'APTITUDE À UN USAGE PARTICULIER; PAR CONSÉQUENT LES LIMITATIONS OU EXCLUSIONS STIPULÉES DANS LES PRÉSENTES PEUVENT NE PAS VOUS ÊTRE APPLICABLES.

SI CE PRODUIT NE FONCTIONNE PAS TEL QUE GARANTI, LE SEUL ET UNIQUE RECOURS DU CLIENT CONSISTE À EN OBTENIR LA RÉPARATION OU LE REMPLACEMENT CONFORMÉMENT AUX TERMES DE LA PRÉSENTE GARANTIE LIMITÉE. KITCHENAID ET KITCHENAID CANADA DÉCLINENT TOUTE RESPONSABILITÉ AU TITRE DES DOMMAGES FORTUITS OU INDIRECTS. Cette garantie vous confère des droits juridiques spécifiques et vous pouvez également jouir d'autres droits qui peuvent varier d'un État à l'autre ou d'une province à l'autre.

Garantie de remplacement sans difficulté - pour les 50 États des États-Unis et le district fédéral de Columbia

Nous sommes tellement certains que la qualité de nos produits satisfait aux normes exigeantes de KitchenAid que si la cafetière cesse de fonctionner au cours de la première année suivant son acquisition, KitchenAid livrera gratuitement à votre porte un appareil de remplacement identique ou comparable et prendra les dispositions nécessaires pour que la cafetière d'origine nous soit retournée. L'appareil de remplacement sera également couvert par notre garantie limitée d'un an. Veuillez suivre ces instructions pour recevoir ce service de haute qualité.

Si votre cafetière KitchenAid® cesse de fonctionner durant la première année suivant son acquisition, il vous suffit d'appeler le Centre de satisfaction clientèle au 1-800-541-6390 du lundi au vendredi, de 8 h 00 à 20 h 00 (heure de l'Est), ou le samedi, de 10 h 00 à 17 h 00. Fournissez votre adresse d'expédition complète au consultant. (Pas de boîte postale)

À réception de la cafetière de rechange, utiliser le carton et les matériaux d'emballage pour emballer la cafetière d'origine. Veuillez indiquer vos nom et adresse sur une feuille de papier et insérez-la dans le carton avec une copie de votre preuve d'achat (reçu de caisse, facture de règlement par de carte de crédit etc.).

Garantie de remplacement sans difficulté - Canada

Nous sommes tellement certains que la qualité de nos produits satisfait aux normes exigeantes de la marque KitchenAid® que si la cafetière cesse de fonctionner au cours de la première année suivant son acquisition, KitchenAid Canada remplacera la cafetière par un appareil de remplacement identique ou comparable. L'appareil de remplacement sera également couvert par notre garantie limitée d'un an. Veuillez suivre ces instructions pour recevoir ce service de haute qualité.

Si votre cafetière KitchenAid® cesse de fonctionner durant la première année suivant son acquisition, apporter ou réexpédier le grille-pain port dû vers un Centre de réparation KitchenAid agréé.

Veuillez indiquer vos nom et adresse d'expédition complets dans le carton et joignez une copie de votre preuve d'achat (reçu de caisse, facture de règlement par de carte de crédit etc.). Votre cafetière de rechange sera retournée port payé et assurée. Si le service que vous obtenez de cette manière n'est pas satisfaisant, appelez notre centre pour l'eXpérience de la clientèle sans frais au 1-800-807-6777.

Ou écrire à l'adresse suivante :
Centre pour l'eXpérience de la clientèle
KitchenAid Canada
200 - 6750 Century Ave.
Mississauga, ON L5N 0B7

Dispositions nécessaires pour un service sous garantie à Porto Rico

Votre cafetière KitchenAid® est couverte par une garantie limitée d'un an à compter de la date d'achat. KitchenAid paiera pour les pièces de rechange et les frais de main-d'œuvre pour corriger les vices de matériaux et de fabrication. Le service doit être fourni par un centre de réparation agréé KitchenAid.

Apporter la cafetière ou l'expédier port payé et assurée à un centre de réparation KitchenAid agréé. Votre cafetière réparée sera retournée port payé et assuré. Si le service que vous obtenez de cette manière n'est pas satisfaisant, composez le 1-800-541-6390 pour connaître l'adresse d'un Centre de réparation proche de votre domicile.

Dispositions nécessaires pour une intervention de dépannage après expiration de la garantie - Tous les pays

Avant de demander une intervention de dépannage par téléphone, veuillez consulter la section "Dépannage".

Pour des informations concernant toute une intervention de dépannage dans les 50 États des États-Unis, le district fédéral de Columbia et Porto Rico,

composer le numéro sans frais
1-800-541-6390.

Ou écrire à l'adresse suivante :
Centre de satisfaction clientèle
Appareils portatifs KitchenAid
P.O. Box 218, St. Joseph, MI 49085-0218

Ou contacter un centre de réparation agréé proche de votre domicile.

Pour des informations concernant toute intervention de dépannage au Canada, composer le numéro sans frais
1-800-807-6777.

Ou écrire à l'adresse suivante :
Centre pour l'eXpérience de la clientèle
KitchenAid Canada
200 - 6750 Century Ave.
Mississauga, ON L5N 0B7

Dispositions nécessaires en dehors de ces pays

Consulter le revendeur KitchenAid local ou le détaillant auprès duquel la cafetière a été achetée pour obtenir la marche à suivre pour toute intervention de dépannage.

Pour des informations concernant toute intervention de dépannage au Mexique, composer le numéro de KitchenAid®
01-800-002-2767

Commander des accessoires et des pièces de rechange

Pour commander des accessoires ou des pièces de rechange pour la cafetière dans les 50 États des États-Unis, le district fédéral de Columbia et Porto Rico,

composer le numéro sans frais
1-800-541-6390 du lundi au vendredi, de
8 h 00 à 20 h 00 (heure de l'Est), ou le
samedi de 10 h 00 à 17 h 00.

Ou écrire à l'adresse suivante :
Centre de satisfaction clientèle
Appareils portatifs KitchenAid
P.O. Box 218
St. Joseph, MI 49085-0218

Pour commander des accessoires ou des pièces de rechange pour la cafetière au Canada, composer le numéro sans frais
1-800-807-6777.

Ou écrire à l'adresse suivante :
Centre pour l'eXpérience de la clientèle
KitchenAid Canada
200 - 6750 Century Ave.
Mississauga, ON L5N 0B7

Pour commander des accessoires ou des pièces de rechange pour la cafetière au Mexique, composer le numéro de
KitchenAid® 01-800-002-2767

SEGURIDAD DE LA CAFETERA

Su seguridad y la seguridad de los demás es muy importante.

Hemos incluido muchos mensajes importantes de seguridad en este manual y en su electrodoméstico. Lea y obedezca siempre todos los mensajes de seguridad.



Este es el símbolo de advertencia de seguridad.

Este símbolo le llama la atención sobre peligros potenciales que pueden ocasionar la muerte o una lesión a usted y a los demás.

Todos los mensajes de seguridad irán a continuación del símbolo de advertencia de seguridad y de la palabra "PELIGRO" o "ADVERTENCIA". Estas palabras significan:

! PELIGRO

Si no sigue las instrucciones de inmediato, usted puede morir o sufrir una lesión grave.

! ADVERTENCIA

Si no sigue las instrucciones, usted puede morir o sufrir una lesión grave.

Todos los mensajes de seguridad le dirán el peligro potencial, le dirán cómo reducir las posibilidades de sufrir una lesión y lo que puede suceder si no se siguen las instrucciones.

SALVAGUARDIAS IMPORTANTES

Al utilizar aparatos eléctricos, debe seguir las precauciones básicas de seguridad, entre las que se incluyen las siguientes:

- Lea todas las instrucciones.
- No toque las superficies calientes. Use asas o perillas.
- Para protegerse contra choque eléctrico, no sumerja el cable, los enchufes ni la cafetera en agua ni en ningún otro líquido.
- Es necesario supervisar cuidadosamente a los niños cuando usen cualquier aparato o cuando éste se use cerca de ellos.
- Desenchufe la cafetera del contacto cuando no esté en uso y antes de la limpieza. Deje que se enfríe antes de colocar o quitar piezas.
- No opere ningún aparato con un cable o enchufe dañado o después de que el aparato funcione mal o se haya dañado de alguna manera. Devuelva el aparato a un lugar de servicio autorizado para su examen, reparación o ajuste.
- El uso de accesorios de acoplamiento no recomendados por parte del fabricante del aparato puede ocasionar heridas.
- No lo use al aire libre.
- No deje que el cable cuelgue del borde de una mesa o mostrador ni que toque superficies calientes.
- No lo coloque cerca de un quemador a gas o eléctrico caliente ni sobre el mismo, ni tampoco dentro de un horno caliente.
- No use este aparato para un uso diferente del que fue diseñado.
- No use el aparato sin colocar la tapa debidamente sobre el recipiente (la jarra).

- El recipiente (la jarra) ha sido diseñado para usarse con este aparato. Nunca deberá usarse sobre la estufa ni dentro de un horno de microondas.
- No deje un recipiente (jarra) caliente sobre una superficie mojada o fría.
- No use un recipiente (jarra) rajado ni uno que tenga la manija floja o débil.
- No limpie el recipiente con limpiadores abrasivos, esponjas de fibra metálica u otro material abrasivo.
- Este producto ha sido diseñado únicamente para uso doméstico.

GUARDE ESTAS INSTRUCCIONES

REQUISITOS ELÉCTRICOS

⚠ ADVERTENCIA



Peligro de Choque Eléctrico

Conecte a un contacto de pared de conexión a tierra de 3 terminales.

No quite la terminal de conexión a tierra.

No use un adaptador.

No use un cable eléctrico de extensión.

No seguir estas instrucciones puede ocasionar la muerte, incendio o choque eléctrico.

Voltios: 120 Voltios, CA solamente

Hertzios: 60 Hz

NOTA: Esta cafetera tiene un enchufe de conexión a tierra de 3 terminales. Para reducir el riesgo de choque eléctrico, este enchufe encajará en un contacto solamente de una manera. Si el enchufe no encaja en el contacto, póngase en contacto con un electricista competente. No modifique el enchufe de ninguna manera.

No use un cable eléctrico de extensión. Si el cable de suministro eléctrico es demasiado corto, haga que un electricista o técnico de servicio competente instale un contacto cerca del electrodoméstico.

Deberá usarse un cable corto de suministro eléctrico (o un cable desmontable de suministro eléctrico) para reducir el riesgo de enredarse o tropezarse con un cable más largo.

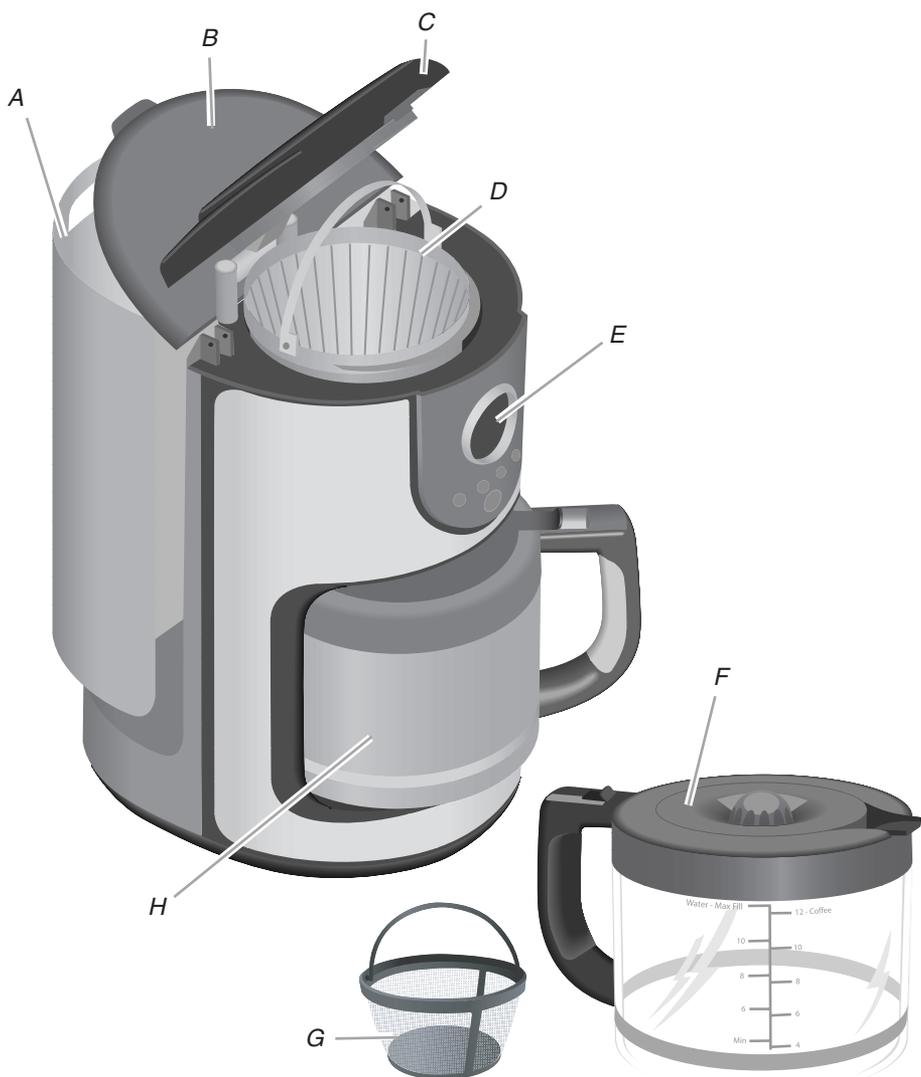
Hay disponibles y pueden usarse cables de suministro eléctrico desmontables más largos o cables de extensión.

Si se usa un cable de suministro eléctrico desmontable más largo o un cable de extensión:

- La clasificación eléctrica indicada en el juego de cables o cable de extensión deberá ser por lo menos la misma que la clasificación eléctrica del aparato.
- Deberá arreglarse el cable de manera que no cuelgue sobre el mostrador o la parte superior de la mesa, en donde los niños puedan jalarlo o tropezarse con él accidentalmente.

Si el aparato es del tipo de conexión a tierra, el cable eléctrico de extensión deberá ser un cable de conexión a tierra de 3 terminales.

CARACTERÍSTICAS DE LA CAFETERA KITCHENAID®



*A. Tanque de agua removible
B. Tapa del tanque de agua
C. Tapa de la cavidad para el café
D. Canasta de elaboración*

*E. Pantalla programable
F. Jarra de vidrio (sólo en los modelos con jarra de vidrio)
G. Filtro permanente en tono dorado
H. Jarra térmica (sólo en los modelos con jarra térmica)*

Característica para 1 a 4 tazas

Esta característica asegura un sabor óptimo, aun cuando usted no esté preparando una jarra completa.

Alerta para la limpieza

El indicador de Clean Alert (Alerta para la limpieza) le recuerda cuándo necesita limpiarse la cafetera.

Característica de Pausa y servir

La característica de “Pausa y servir” le permite sacar la jarra y servirse una taza de café antes de que se termine la elaboración. Una válvula especial sella herméticamente la canasta de elaboración, eliminando los goteos.

Tono de fin de elaboración

Se escucha un tono cuando el café ha terminado de prepararse.

Apagado automático

La cafetera se apaga automáticamente 2 horas después de la elaboración.

Canasta de elaboración

Levante la tapa frontal para obtener acceso a la canastilla de elaboración removible y apta para la lavavajillas. La canasta tiene capacidad para un filtro de café de papel con fondo plano o un filtro permanente de tono dorado para 10 a 12 tazas.

Tanque de agua removible

La cafetera tiene un conveniente tanque de agua removible con indicadores del nivel de agua. Saque el tanque de agua y agregue agua directamente al mismo o levante la tapa para agregar agua. Se recomienda lavar el tanque a mano.

Temporizador de elaboración automática

Un temporizador de 24 horas, fácil de fijar, para elaborar café hará que el café se prepare a la hora seleccionada, de día o de noche.

Jarra de vidrio o térmica

La jarra de vidrio para 12 tazas y la jarra térmica para 10 tazas tienen un pico vertedero que no gotea y un mango cómodo y suave. Ambas jarras pueden lavarse en la canasta superior de una lavavajillas.

Filtro permanente de tono dorado

El filtro de tono dorado de gran resistencia elimina la necesidad de usar filtros de papel para café. Si se desea, pueden también usarse filtros de papel en la cafetera. El filtro de tono dorado puede lavarse en la canasta superior de una lavavajillas.

Pantalla del reloj

Muestra la hora del día con indicadores de AM y PM. Para ahorrar energía, la pantalla se pone en el modo de Sleep (Dormir) y reduce la luminosidad cuando no se está usando la cafetera.

Selector variable de intensidad del café

Le permite seleccionar entre una intensidad de café REG (Común) y BOLD (Fuerte).

CARACTERÍSTICAS DE LA PANTALLA Y LOS BOTONES DE CONTROL

Controles de la cafetera



- A. Botón de Mode (Modo)
- B. Botón de Auto Set (Fijado automático)
- C. Botón de Brew (Elaboración)
- D. Botón de Bold (Fuerte)
- E. Botón con flecha hacia arriba

Botón de Mode (Modo)

Presiónelo para seleccionar los modos del programa.

Botón de Auto Set (Fijado automático)

Presiónelo para programar un tiempo de elaboración automático.

Botón de Brew (Elaboración)

Presiónelo para seleccionar el modo de elaboración o para encender o apagar la cafetera.

Botón de Bold (Fuerte)

Presiónelo para seleccionar el modo de Bold (Fuerte).

Botón con la flecha hacia arriba

Use el botón con la flecha hacia arriba para programar el temporizador de elaboración o para poner el reloj en la hora del día.

Pantalla de la cafetera



- A. Indicador de fijado automático
- B. Indicador de Auto (Automático)
- C. Indicador de 1 a 4 tazas
- D. Indicador de Bold (Fuerte)
- E. Indicador de Clean (Limpiar)
- F. Reloj/Pantalla de tiempo de elaboración automática

Indicador de fijado automático

Cuando está encendido, indica que la cafetera está en el modo de fijado automático.

Indicador de automático

Cuando está encendido, indica que la cafetera está en el modo de elaboración automática.

Indicador de 1 a 4 tazas

Cuando está encendido, indica que la cafetera está en el modo de elaboración de 1 a 4 tazas.

Indicador de Bold (Fuerte)

Cuando está encendido, indica que la cafetera está en el modo de Bold (Fuerte).

Indicador de Clean (Limpiar)

Este indicador se enciende cuando necesita quitarse el sarro a la cafetera.

Pantalla del reloj

Muestra la hora del día con el indicador de AM o PM y la hora de elaboración automática.

SUGERENCIAS PARA LA ELABORACIÓN DEL CAFÉ: CONSEJOS PARA OBTENER EL SABOR IDEAL

Granos frescos de café

Un café realmente sabroso se puede preparar solamente con granos frescos de café. Para conservar la frescura de los granos de café, manténgalos en un recipiente hermético opaco y guárdelos en un lugar fresco y seco. No se recomienda refrigerarlos, debido a que el agua tiende a condensarse sobre los granos cada vez que se abre el recipiente. El congelamiento puede ayudar a mantener los granos almacenados durante un período prolongado, pero también afectará su sabor.

El molido justo

La mejor taza de café se prepara con granos de café que han sido molidos adecuadamente, justo antes de prepararlo. Cuando muele los granos de café, cerciórese de que sea a un nivel de molido mediano, el apropiado para las cafeteras automáticas.

Busque los molinillos de café KitchenAid® con cuchillas o de placas, en su tienda local o en línea, visitando www.kitchenaid.com.

La cantidad adecuada de café molido

Será una buena idea comenzar con una cuchara de café (cuchara provista) por cada taza de café marcada en la jarra de vidrio o en el tanque de agua. Si el molido es más fino, por lo general se necesita menos café, pero esto puede producir un café amargo y bloquear el filtro.

Para obtener un café más débil, prepárelo siguiendo la proporción sugerida de granos de café y agua; después dilúyalo en agua caliente. Esto aumenta el sabor y hace que quede menos amargo.

La pureza del agua para la elaboración de café

Un sabroso café comienza con agua fresca. El tanque de agua removible es fácil de llenar, para proveerle siempre un café con un gusto ideal. También es fácil de limpiar, para que usted siempre pueda preparar su café con el agua más fresca.

En lugares en donde las condiciones del agua local sean muy malas, tal vez desee usar agua embotellada. No use agua destilada ni agua mineral, ya que pueden dañar su cafetera.

La limpieza de la cafetera

Los aceites del café que se acumulan en la canasta de elaboración y en la jarra pueden ponerse en malas condiciones, afectando el sabor del café preparado; por lo tanto es importante que estas dos piezas se limpien diariamente para poder preparar un café con el mejor sabor.

CÓMO PREPARAR LA CAFETERA PARA SU USO

Limpieza antes del uso

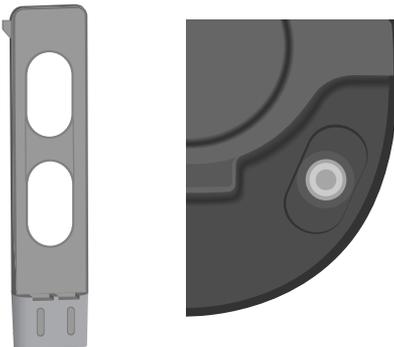
Lave la canasta de elaboración, el filtro permanente de tono dorado y la jarra en agua caliente jabonosa; enjuáguelos con agua limpia y séquelos. No use limpiadores ni estropajos abrasivos.

Instalación del filtro de agua

Se recomienda enérgicamente usar el filtro de agua. El filtro reduce los contaminantes que afectan negativamente el sabor del café. El uso del filtro es optativo. La cafetera funcionará normalmente sin el mismo.

El filtro de agua es para usarse solamente con agua de grifo tratada por los servicios públicos o agua de pozo en la que se efectúen pruebas para detectar contaminantes con regularidad.

1. El filtro consiste en un mango largo con un cartucho de filtro en el extremo.
2. Coloque el cartucho del filtro en un recipiente separado lleno con agua fresca. Deberá mantenerse el cartucho sumergido en agua durante 10 minutos. Enjuague el filtro bajo agua del grifo durante 5 segundos después de remojarlo.
3. Levante la tapa del tanque de agua usando la lengüeta que está en la parte posterior de la tapa.
4. Coloque el cartucho del filtro en la cavidad que está en la base del depósito de agua. Empuje ligeramente el cartucho para asegurarse de que encaja justo.



5. Cada vez que instale un nuevo filtro, ponga a funcionar la cafetera por un ciclo completo de elaboración sin café. Use una jarra llena de agua limpia y fresca.

Para fijar el reloj en la hora del día

! ADVERTENCIA



Peligro de Choque Eléctrico

Conecte a un contacto de pared de conexión a tierra de 3 terminales.

No quite la terminal de conexión a tierra.

No use un adaptador.

No use un cable eléctrico de extensión.

No seguir estas instrucciones puede ocasionar la muerte, incendio o choque eléctrico.

1. Conecte a un contacto de pared de conexión a tierra de 3 terminales.
2. Cuando se enchufa la cafetera por primera vez o cuando vuelva a restablecerse la electricidad después de un corte de corriente, la pantalla del temporizador de elaboración mostrará inicialmente 12:00 AM.
3. Presione el botón de MODE (Modo) para ingresar al modo de fijar la hora o el reloj. Destellarán los dígitos de las horas para regular las horas.
4. Presione el botón con la flecha hacia arriba para aumentar las horas. Si sostiene este botón, la hora aumentará más rápido.
5. Presione nuevamente el botón de MODE (Modo). Destellarán los dígitos de los minutos para regular los minutos.

- Presione el botón con la flecha hacia arriba para aumentar los minutos. Si sostiene este botón, el tiempo aumentará más rápido.
- Presione nuevamente el botón de MODE (Modo). Destellarán los dígitos de AM o PM para el ajuste de AM/PM.
- Presione el botón con la flecha hacia arriba para cambiar entre AM y PM.

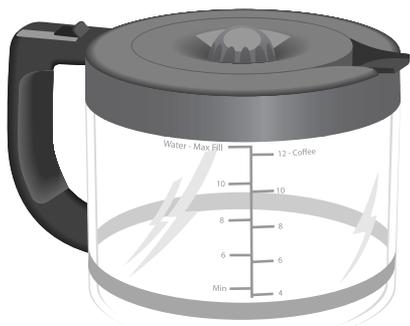
USO DE LA CAFETERA KITCHENAID®

Cómo preparar más de 4 tazas de café

NOTA: Ponga a elaborar una jarra de agua fresca en la cafetera y deséchela antes de elaborar la primera jarra de café (sólo para el primer uso).

- Saque el tanque de agua y llénelo con agua fresca suficiente como para hacer la cantidad de café deseada. Una escala graduada en el tanque mide la cantidad de agua necesaria. Cuando vuelva a colocar el tanque, cerciéndose de alinear los orificios que están encima del tanque con las lengüetas que están en la parte posterior de la cubierta de la cafetera.

Sólo para los modelos con jarra de vidrio: El lado derecho de la escala (Coffee - Café) es una medida del volumen de café. El lado izquierdo de la escala (Water - Agua) indica la cantidad de agua necesaria para preparar cierto número de tazas de café.



- Sólo para los modelos con jarra de vidrio: Levante la tapa del tanque y llene el depósito con agua fresca. Puede verter el agua directamente dentro del depósito, en la parte posterior de la cafetera.

- Después de llenar el depósito, coloque la jarra en la cafetera. Cerciéndose de que la tapa esté segura en su posición y que la base de la jarra esté asentada por completo. Si la jarra no está asentada, la característica de Pausa y servir puede no activarse y hacer que se derramen el agua y el café de la canasta de elaboración.
- Saque la canasta de elaboración de la parte superior de la cafetera, agarrando la manija de sujeción que se encuentra en la canasta.

NOTA: Puede insertarse el filtro y agregarse el café molido sin quitar la canasta de elaboración de la cafetera.



A. Manija de sujeción

- Inserte un filtro de papel de base plana para 10 a 12 tazas o el filtro permanente de tono dorado dentro de la canasta de elaboración. No use ambos tipos de filtros a la vez. Si usa ambos filtros, hará que se derrame el agua y el café de la canasta de elaboración.
- Llene el filtro con una cucharada colmada de café molido por cada taza deseada. Use un molido medio adecuado para cafeteras automáticas. Un molido demasiado fino hará que el café quede amargo y puede bloquear el filtro de la cafetera.

Cómo preparar de 1 a 4 tazas de café



NOTA: Coloque siempre el filtro y la cafetera dentro de la canasta de elaboración removable. No haga funcionar la cafetera sin la canasta de elaboración en su sitio.

7. Agite ligeramente la canasta de elaboración para que quede una capa de café uniforme. Coloque la canasta dentro de la cafetera y gire manija hacia el frente de la cafetera para sujetar la canasta de elaboración en su lugar. Cerciórese de que la tapa de la canasta de elaboración esté cerrada por completo antes de preparar café.
 8. Presione el botón de BREW (Elaboración) para comenzar a preparar el café. Si va a preparar solamente de 1 a 4 tazas de café, consulte la sección “Cómo preparar de 1 a 4 tazas de café”.
- NOTA:** El levantar la tapa de la canasta de elaboración mientras se está preparando el café interrumpirá el proceso de elaboración y afectará el sabor del café.
9. Cuando el café haya terminado de prepararse, la cafetera hará sonar los pitidos de fin de elaboración.
 10. Solamente para los modelos con jarra de vidrio: la cafetera se apagará automáticamente al cabo de 2 horas. Presione el botón de BREW (Elaboración) para apagar la cafetera manualmente. Es posible que el exterior de la jarra esté caliente al tacto después de la elaboración. Tenga cuidado al colocar la jarra sobre superficies descubiertas inmediatamente después de la elaboración de café.
 11. Repita los pasos 1 a 8 para preparar jarras adicionales de café. Apague siempre la cafetera y deje que se enfríe durante 5 minutos antes de comenzar el próximo ciclo de elaboración.

NOTA: Ponga a elaborar una jarra de agua fresca en la cafetera y deséchela antes de elaborar la primera jarra de café (sólo para el primer uso).

1. Repita los pasos 1 a 7 mencionados en la sección “Cómo preparar el café”.
 2. Presione el botón de MODE (Modo) 4 veces para ingresar al modo de “1-4 Cup” (1 a 4 tazas).
 3. Presione el botón de BREW (Elaboración). El indicador de “1-4 Cups” (1 a 4 tazas) permanecerá encendido hasta que la cafetera haya terminado el ciclo de elaboración.
- NOTA:** El levantar la tapa frontal mientras se está preparando el café interrumpirá el proceso de elaboración y afectará el sabor del café.
4. Cuando el café haya terminado de prepararse, la cafetera hará sonar un tono de fin de elaboración.
 5. Solamente para los modelos con jarra de vidrio: la cafetera se apagará automáticamente al cabo de 2 horas. Presione el botón de BREW (Elaboración) para apagar la cafetera manualmente. Es posible que el exterior de la jarra esté caliente al tacto después de la elaboración. Tenga cuidado al colocar la jarra sobre superficies descubiertas inmediatamente después de la elaboración de café.
 6. Repita los pasos 1 a 5 para preparar jarras adicionales de café. Apague siempre la cafetera y deje que se enfríe durante 5 minutos antes de comenzar el próximo ciclo de elaboración.

CARACTERÍSTICAS SUPERIORES DE LA CAFETERA

Característica de Pausa y servir

La característica de “Pausa y servir” le permite retirar la jarra de la cafetera y servirse una taza de café antes de que se termine la elaboración. Al sacarse la jarra, una válvula especial detiene el flujo de café de la canasta de elaboración. Sin embargo, la elaboración no se detiene. Si no se coloca la jarra nuevamente en la cafetera en menos de 15 segundos, se derramará el agua y el café molido de la canasta de elaboración.

Temporizador de elaboración automática

La cafetera puede programarse para preparar café en una hora fijada previamente, haciendo más fácil levantarse cada mañana y tomarse un café recién hecho. Para programar y activar el temporizador de elaboración automática:

1. Presione el botón de AUTO SET (Fijado automático) para ingresar al modo de Auto Brew (Elaboración automática). El indicador de “Horas” destellará y se encenderá el indicador de “Auto Set” (Fijado automático) y permanecerá encendido durante el ciclo de programación de Auto Brew (Elaboración automática).
2. Presione el botón con la flecha hacia arriba para aumentar las horas. Si sostiene este botón, la hora aumentará más rápido.
3. Presione el botón de AUTO SET (Fijado automático). Destellará el indicador de minutos. Presione el botón con la flecha hacia arriba para aumentar los minutos. Si sostiene este botón, el tiempo aumentará más rápido.
4. Presione el botón de AUTO SET (Fijado automático). Destellará el indicador de “AM/PM”. Presione el botón con la flecha hacia arriba para cambiar entre AM y PM.
5. Presione el botón de AUTO SET (Fijado automático) para salir del ajuste programado de Auto Brew (Elaboración automática). El indicador de “Auto Set” (Fijado automático) se apagará.

Intensidad del café

La cafetera puede programarse para elaborar café con una intensidad fuerte (BOLD) (la intensidad de elaboración por defecto es común).

Para programar y activar el ajuste del modo de “Bold” (Fuerte):

1. Presione el botón de BOLD (Fuerte) para seleccionar el indicador de “Bold” (Fuerte).

NOTA: Una vez que se haya seleccionado “Bold” (Fuerte), permanecerá activado hasta que se apague.

Elaboración inmediata

1. Presione una vez el botón de BREW (Elaboración). La cafetera hará un pitido y se encenderá la luz del botón de Brew (Elaboración). Una vez que se haya terminado el ciclo, la cafetera hará emitir 3 pitidos.

NOTA: La placa de calentamiento se encenderá automáticamente durante el ciclo de elaboración.

2. Si lo desea, presione el botón de BREW (Elaboración) después de que se termine el ciclo, para apagar la placa de calentamiento. Se apagará la luz del botón de Brew (Elaboración).

Elaboración automática.

1. Presione y sostenga el botón de BREW (Elaboración). El indicador de “Auto” (Automático) se encenderá y la luz del botón de elaboración destellará hasta que la cafetera comience a preparar el café. Una vez que se haya llegado a la hora de elaboración, se encenderá la luz del botón de “Brew” (Elaboración) y la cafetera hará un pitido.

NOTA: La placa de calentamiento se encenderá automáticamente durante el ciclo de elaboración.

2. Si lo desea, presione el botón de BREW (Elaboración) después de que se termine el ciclo, para apagar la placa de calentamiento. Se apagará la luz del botón de Brew (Elaboración).

CUIDADO DE LA CAFETERA

Limpieza de la cafetera

1. Saque la canasta de elaboración y la jarra de la cafetera.
2. Lave la canasta de elaboración y el filtro permanente de color dorado en agua caliente jabonosa; enjuáguelos con agua caliente. No use limpiadores ni estropajos abrasivos. Estas piezas pueden lavarse también en la canasta superior de la lavavajillas.
3. Desenchufe la cafetera y limpie la cubierta con un paño tibio jabonoso. Después pásele un paño húmedo y séquela con un paño suave. No use limpiadores ni estropajos abrasivos.

Cómo quitarle el sarro a la cafetera

Puede quitarse el sarro de la cafetera usando un agente para quitar el sarro o vinagre. Mezcle siempre la solución para quitar el sarro usando agua fresca.

- Cuando use un agente para quitar el sarro, siga las instrucciones del paquete para ver las cantidades recomendadas de agente para quitar el sarro y de agua a usar.
- Cuando use vinagre, llene la jarra con una solución compuesta por ½ de vinagre y ½ de agua.

Indicador de Clean (Limpiar)

Los depósitos de calcio (sarro) del agua se acumularán en la bomba de calor de la cafetera con el correr del tiempo y afectarán la eficacia de la elaboración y la calidad del café. Cuando la cafetera detecte la acumulación de sarro, se encenderá el indicador de "Clean" (Limpiar). Cuando esto suceda, deberá quitarse el sarro lo antes posible para conservar el desempeño y la vida útil de su cafetera.

Limpieza

1. Saque siempre el filtro de agua antes de quitar el sarro (consulte la sección "Instalación del filtro de agua") y cerciórese de que la canastilla de elaboración no contenga café ni filtros de café.
2. Ponga a funcionar la cafetera en un ciclo completo de Clean (Limpiar) usando un tanque entero de solución para quitar el sarro.
3. Presione el botón de MODE (Modo) 5 veces para ingresar al modo de "Clean" (Limpiar). El indicador de "Clean" (Limpiar) destellará hasta que se termine el ciclo de programación.

NOTA: Para anular el modo de Clean (Limpiar), presione el botón de MODE (Modo).

4. Presione el botón de BREW (Elaboración) para comenzar el ciclo de limpieza. Una vez que se haya terminado el ciclo de limpieza, se apagará el indicador de "Clean" (Limpiar).
5. Enjuague la cafetera poniéndola a funcionar por 2 ciclos de elaboración usando un tanque lleno de agua fresca cada vez.
6. Lave la canasta de elaboración en agua caliente jabonosa y enjuáguela con agua caliente. La canasta de elaboración también puede lavarse en la canasta superior de la lavavajillas.
7. Vuelva a colocar el filtro de agua o reemplácelo. Reemplace el filtro cada 3 meses bajo uso normal. Reemplácelo más a menudo si lo usa con frecuencia o en condiciones de agua dura.

SOLUCIÓN DE PROBLEMAS

- **Si no se ha iluminado la pantalla del temporizador de elaboración:**
Revise que la cafetera se haya enchufado en un contacto de conexión a tierra de 3 terminales. Si lo está, revise el fusible o el cortacircuitos del circuito eléctrico al que está conectada la cafetera y asegúrese de que el circuito esté cerrado.
- **Si sólo se prepara un poco del agua agregada a la cafetera:**
Deberá quitarse el sarro a la cafetera de inmediato. Consulte “Cómo quitarle el sarro a la cafetera” en la sección “Cuidado de la cafetera”.
- **Si aparece “Er1” en la pantalla del temporizador del botón de elaboración:**
Es posible que haya un botón atascado. Desenchufe la cafetera y presione varias veces cada botón.

⚠ ADVERTENCIA



Peligro de Choque Eléctrico

Conecte a un contacto de pared de conexión a tierra de 3 terminales.

No quite la terminal de conexión a tierra.

No use un adaptador.

No use un cable eléctrico de extensión.

No seguir estas instrucciones puede ocasionar la muerte, incendio o choque eléctrico.

Enchufe la cafetera en un contacto de pared de conexión a tierra de 3 terminales.

Si aparece nuevamente en la pantalla “Er1”, repita este procedimiento.

- **Si no se puede corregir el problema:**
Vea la sección de la garantía de KitchenAid. No devuelva la cafetera a la tienda; los vendedores minoristas no proveen servicio técnico.

PRUEBA DE COMPRA Y REGISTRO DEL PRODUCTO

Guarde siempre una copia del recibo de compra, en el cual se muestra la fecha de compra de su cafetera. La prueba de compra le asegurará el servicio bajo la garantía.

Antes de usar la cafetera, llene y envíe por correo la tarjeta de registro del producto que fue empacada con la unidad. Esta tarjeta nos permitirá contactarlo en el caso improbable de una notificación acerca de la seguridad del producto y nos asistirá para cumplir con las medidas de Consumer Product Safety Act (Ley de seguridad de productos al consumidor). Esta tarjeta no verifica su garantía. Sírvase completar lo siguiente para su información personal:

Número de modelo _____

Número de serie _____

Fecha de compra _____

Nombre y ubicación de la tienda _____

GARANTÍA DE LA CAFETERA KITCHENAID®

Duración de la garantía:	KitchenAid pagará por:	KitchenAid no pagará por:
<p>En los 50 estados de Estados Unidos, el Distrito de Columbia, Canadá y Puerto Rico: Un año de garantía limitada a partir de la fecha de compra.</p>	<p>En los 50 estados de Estados Unidos, el Distrito de Columbia y Canadá: Reemplazo sin dificultades para su cafetera. Vea la página siguiente para obtener detalles acerca de cómo obtener el reemplazo. O BIEN</p> <p>En Puerto Rico: Los costos de las piezas de repuesto y del trabajo de reparación para corregir los defectos en los materiales y la mano de obra. El servicio deberá ser provisto por un centro de servicio autorizado por KitchenAid. Para obtener servicio técnico, siga las instrucciones en la sección "Cómo obtener servicio bajo la garantía en Puerto Rico".</p>	<p>A. Reparaciones cuando su cafetera haya sido empleada para fines ajenos al uso doméstico normal de una familia.</p> <p>B. Daños causados por accidente, alteración, uso indebido o abuso, o el uso con productos no aprobados por KitchenAid.</p> <p>C. Costos de las piezas de repuesto o de trabajo de reparación para la cafetera cuando se ponga a funcionar fuera del país en donde fue comprada.</p>

DESCARGO DE RESPONSABILIDAD DE GARANTÍAS IMPLÍCITAS; LA LIMITACIÓN DE RECURSOS Y LAS GARANTÍAS IMPLÍCITAS, INCLUYENDO EN LA MEDIDA QUE CORRESPONDA LAS GARANTÍAS DE COMERCIALIZACIÓN O DE CAPACIDAD PARA UN PROPÓSITO PARTICULAR, SON EXCLUIDAS EN LA MEDIDA EN QUE SEA LEGALMENTE PERMISIBLE. TODA GARANTÍA QUE SEA IMPUESTA POR LEY SERÁ LIMITADA A UN AÑO O AL PERÍODO MÁS CORTO PERMITIDO POR LEY. ALGUNOS ESTADOS Y PROVINCIAS NO PERMITEN LAS LIMITACIONES O EXCLUSIONES ACERCA DE CUÁNTO DEBE DURAR UNA GARANTÍA IMPLÍCITA DE COMERCIALIZACIÓN O CAPACIDAD, DE MODO QUE LAS LIMITACIONES O EXCLUSIONES ARRIBA MENCIONADAS PUEDEN NO APLICARSE EN SU CASO.

SI ESTE PRODUCTO NO FUNCIONA COMO LO INDICA LA GARANTÍA, EL ÚNICO Y EXCLUSIVO RECURSO DEL CLIENTE SERÁ EL DE REPARARLO O REEMPLAZARLO SEGÚN LOS TÉRMINOS DE ESTA GARANTÍA LIMITADA. KITCHENAID Y KITCHENAID CANADA NO SE RESPONSABILIZARÁN POR DAÑOS INCIDENTALES O CONSECUENTES. Esta garantía le otorga derechos legales específicos, y es posible que usted tenga también otros derechos, los cuales varían de un estado a otro o de una provincia a otra.

Garantía de reemplazo sin dificultades - Para los 50 estados de Estados Unidos y el Distrito de Columbia

Confiamos tanto en que la calidad de nuestros productos cumple con las exigentes normas de KitchenAid que, si la cafetera presentara alguna falla durante el primer año de compra, KitchenAid hará arreglos para entregar un reemplazo idéntico o comparable a su domicilio sin cargo y arreglará la devolución de su cafetera original a nosotros. La unidad de reemplazo estará también cubierta por nuestra garantía limitada de un año. Favor de seguir estas instrucciones para recibir este servicio de alta calidad.

Si su cafetera KitchenAid® fallara durante el primer año de compra, simplemente llame a nuestro Centro de satisfacción del cliente al 1-800-541-6390, de lunes a viernes de 8 AM a 8 PM (hora del Este), o los sábados de 10 AM a 5 PM. Proporciono al asesor su dirección de envío completa. (No números de apartados postales, por favor.)

Cuando usted reciba la cafetera de reemplazo, use el cartón y los materiales de empaque para empacar la cafetera original. En la caja, incluya su nombre y domicilio en un papel junto con la copia del comprobante de compra (recibo de la caja registradora, recibo de pago de la tarjeta de crédito, etc.).

Garantía de reemplazo sin dificultades - en Canadá

Confiamos tanto en que la calidad de nuestros productos cumple con las exigentes normas de KitchenAid® que, si la cafetera presentara alguna falla durante el primer año de compra, KitchenAid Canada reemplazará su cafetera con una idéntica o un reemplazo comparable. La unidad de reemplazo estará también cubierta por nuestra garantía limitada de un año. Favor de seguir estas instrucciones para recibir este servicio de alta calidad.

Si su cafetera KitchenAid® presentara alguna falla durante el primer año de compra, llévela o envíela a cobro revertido a un Centro de servicio autorizado por KitchenAid.

En la caja, incluya su nombre y domicilio de envío completo en un papel junto con la copia del comprobante de compra (recibo de la caja registradora, recibo de pago de la tarjeta de crédito, etc.). Su cafetera de reemplazo será devuelta con porte prepagado y asegurado. Si no puede obtener un servicio satisfactorio de esta manera, llame a nuestro número gratuito del Centro para la eXperiencia del cliente al 1-800-807-6777.

O bien escriba:
Customer eXperience Centre
KitchenAid Canada
200 - 6750 Century Ave.
Mississauga, ON L5N 0B7

Cómo obtener servicio bajo la garantía en Puerto Rico

Su cafetera KitchenAid® está cubierta bajo una garantía limitada de un año a partir de la fecha de compra. KitchenAid pagará por las piezas de repuesto y costos de mano de obra para corregir los defectos en los materiales y la mano de obra. El servicio deberá ser provisto por un centro de servicio autorizado por KitchenAid.

Lleve la cafetera o envíela con porte prepagado y asegurado a un Centro de servicio autorizado por KitchenAid. Su cafetera reparada será devuelta con porte prepagado y asegurado. Si no puede obtener un servicio satisfactorio de esta manera, llame sin costo al 1-800-541-6390 para averiguar la ubicación de un Centro de servicio cerca de usted.

Cómo obtener servicio después de que expire la garantía - En todas las ubicaciones

Antes de solicitar servicio técnico, por favor consulte la sección "Solución de problemas".

Para obtener información acerca del servicio en los 50 estados de Estados Unidos, el Distrito de Columbia y Puerto Rico, llame sin costo al 1-800-541-6390.

O bien escriba a:
Customer Satisfaction Center
KitchenAid Portable Appliances
P.O. Box 218, St. Joseph, MI 49085-0218

O contacte a un Centro de servicio autorizado cerca de usted.

Para obtener información acerca del servicio en Canadá, llame sin costo al 1-800-807-6777.

O bien escriba a:
Customer eXperience Centre
KitchenAid Canada
200 - 6750 Century Ave.
Mississauga, ON L5N 0B7

Cómo obtener servicio en otros lugares

Consulte a su distribuidor local de KitchenAid o a la tienda donde compró la cafetera para obtener información sobre cómo obtener el servicio técnico.

Para obtener información acerca del servicio en México, llame a la línea de KitchenAid® al 01-800-002-2767.

Cómo pedir accesorios y piezas de repuesto

Para pedir accesorios o piezas de repuesto para su cafetera en los 50 estados de Estados Unidos, el Distrito de Columbia y Puerto Rico, llame sin costo al 1-800-541-6390, de lunes a viernes de 8 AM a 8 PM (hora del Este) o los sábados de 10 AM a 5 PM.

O bien escriba a:
Customer Satisfaction Center
KitchenAid Portable Appliances
P.O. Box 218
St. Joseph, MI 49085-0218

Para pedir accesorios o piezas de repuesto para su cafetera en Canadá, llame sin costo al 1-800-807-6777.

O bien escriba a:
Customer eXperience Centre
KitchenAid Canada
200 - 6750 Century Ave.
Mississauga, ON L5N 0B7

Para pedir accesorios o piezas de repuesto para su cafetera en México, llame a la línea de KitchenAid® al 01-800-002-2767.

©Registered trademark/Marque déposée/Marca registrada KitchenAid, U.S.A.

™ Trademark/Marque de commerce/Marca de comercio KitchenAid, U.S.A.,

The shape of the mixer is a registered trademark of KitchenAid, U.S.A./La forme du batteur sur socle est une marque de commerce déposée/La forma de la batidora con base es una marca registrada de KitchenAid, U.S.A.

KitchenAid Canada licensee in Canada/Emploi licencié par KitchenAid Canada au Canada./

Usada en Canadá bajo licencia de KitchenAid Canada

©2010. All rights reserved. Tout droits réservés. Todos los derechos reservados.

All other trademarks belong to their respective companies./Toutes les autres marques de commerce sont la propriété de leurs détenteurs respectifs./Todas las otras marcas de comercio pertenecen a sus respectivas compañías.



Free Manuals Download Website

<http://myh66.com>

<http://usermanuals.us>

<http://www.somanuals.com>

<http://www.4manuals.cc>

<http://www.manual-lib.com>

<http://www.404manual.com>

<http://www.luxmanual.com>

<http://aubethermostatmanual.com>

Golf course search by state

<http://golfingnear.com>

Email search by domain

<http://emailbydomain.com>

Auto manuals search

<http://auto.somanuals.com>

TV manuals search

<http://tv.somanuals.com>