

KitchenAid® Installation Instructions

Part No. 9750520 Rev. A

30" Electric Freestanding Range

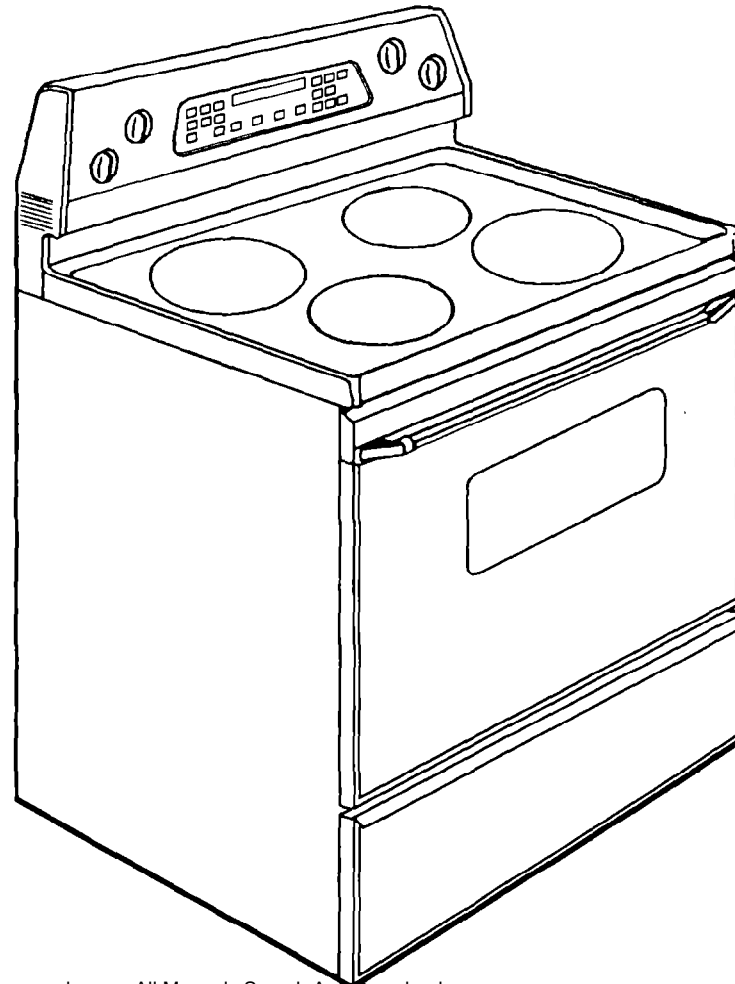
IMPORTANT:
Read and save
these instructions.

IMPORTANT:

Installer: Leave Installation Instructions with the homeowner.

Homeowner: Keep Installation Instructions for future reference.

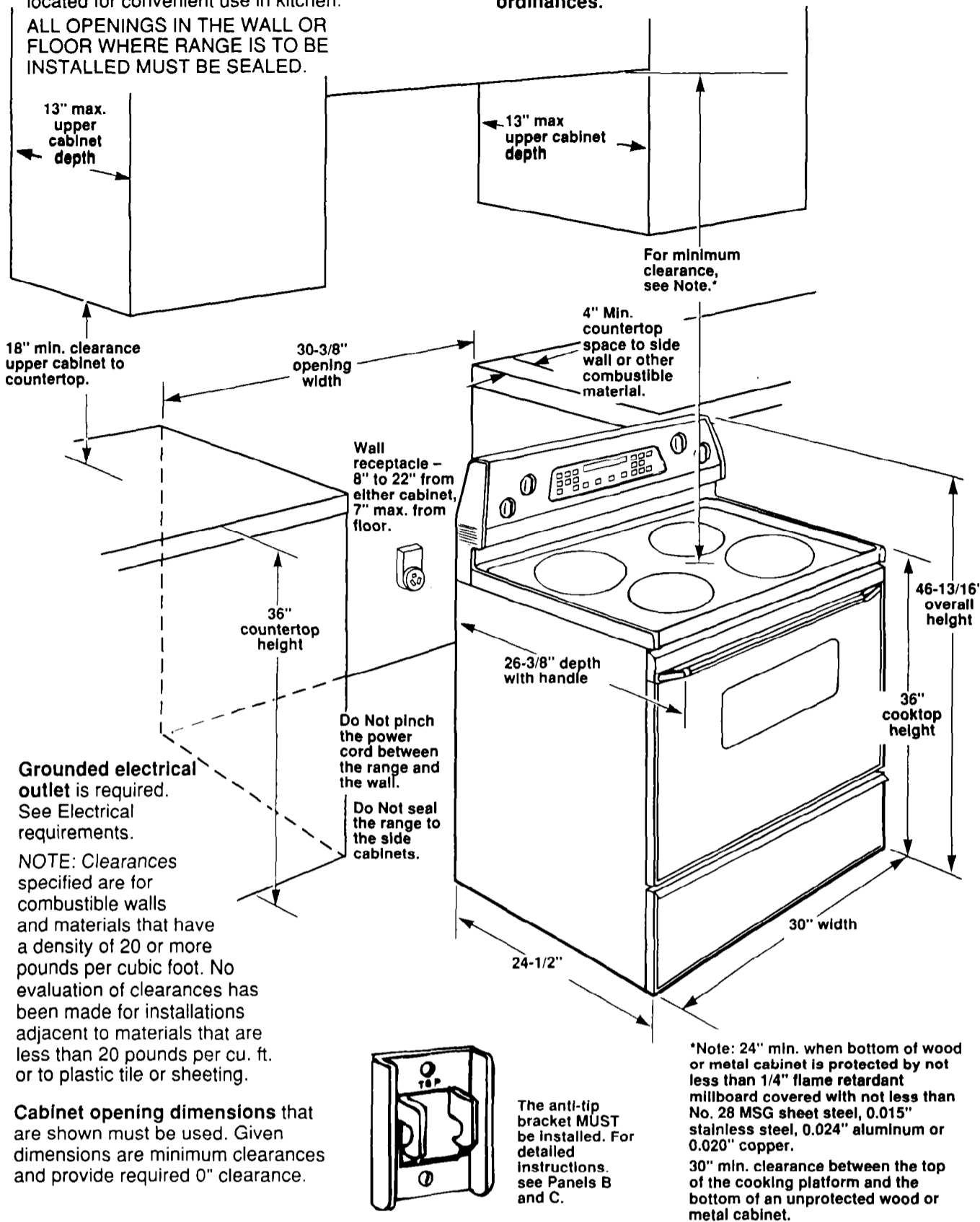
Save Installation Instructions for local electrical inspector's use.



Check location where range will be installed. The range should be located for convenient use in kitchen.

ALL OPENINGS IN THE WALL OR FLOOR WHERE RANGE IS TO BE INSTALLED MUST BE SEALED.

Important: Observe all governing codes and ordinances.



Grounded electrical outlet is required. See Electrical requirements.

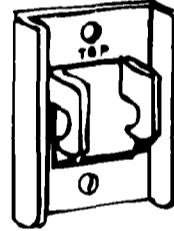
NOTE: Clearances specified are for combustible walls and materials that have a density of 20 or more pounds per cubic foot. No evaluation of clearances has been made for installations adjacent to materials that are less than 20 pounds per cu. ft. or to plastic tile or sheeting.

Cabinet opening dimensions that are shown must be used. Given dimensions are minimum clearances and provide required 0" clearance.

Wall receptacle - 8" to 22" from either cabinet, 7" max. from floor.

Do Not pinch the power cord between the range and the wall.

Do Not seal the range to the side cabinets.



The anti-tip bracket MUST be installed. For detailed instructions, see Panels B and C.

*Note: 24" min. when bottom of wood or metal cabinet is protected by not less than 1/4" flame retardant millboard covered with not less than No. 28 MSG sheet steel, 0.015" stainless steel, 0.024" aluminum or 0.020" copper.
30" min. clearance between the top of the cooking platform and the bottom of an unprotected wood or metal cabinet.

Before you start...

Proper installation is your responsibility. A qualified technician should install this range. Make sure you have everything necessary for correct installation. It is the responsibility of the installer to comply with installation clearances specified on the serial/rating plate. The serial/rating plate is located on the oven frame behind the oven door.

WARNING

Personal Injury Hazard

Avoid installing cabinet storage above the cooking surface. If cabinets are already installed, reduce the hazard of reaching over a heated cooking surface by installing a range hood. The range hood should extend a minimum of 5 inches out from the bottom front of the cabinets.

Reaching over a heated cooking surface could result in a serious burn or other personal injury.

Electrical Shock Hazard

It is the customer's responsibility:

- To contact a qualified electrical installer.

- To assure that the electrical installation is adequate and in conformance with National Electrical Code, ANSI/NFPA 70-latest edition**, and all local codes and ordinances.

Failure to do so could result in fire, electrical shock or other personal injury.

Mobile home installation

The installation of this range must conform to the Manufactured Home Construction and Safety Standards, Title 24 CFR, Part 3280 (formerly the Federal Standard for Mobile Home Construction and Safety, Title 24, HUD, Part 280); or when such standard is not applicable, the Standard for Manufactured Homes Installations 1982 (Manufactured Home Sites, Communities and Setups), ANSI A225.1-1987, or latest edition**, or with local codes.

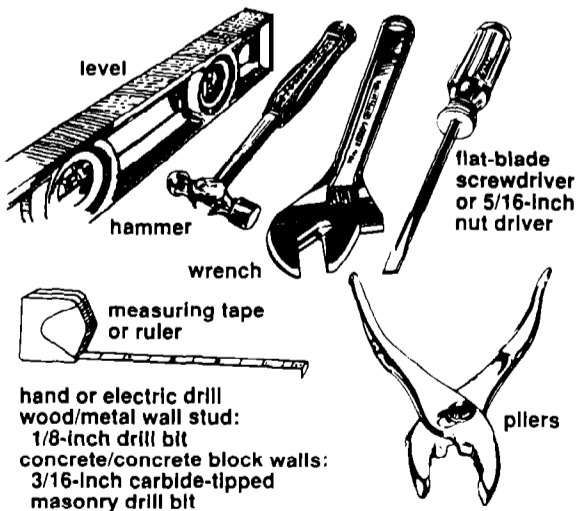
When this range is installed in a mobile home, it must be secured to the floor during transit. Any method of securing the range is adequate as long as it conforms to the standards listed above.

Four-wire power supply cable must be used in a mobile home installation. The appliance wiring will need to be revised. See 4-wire electrical connection, Panel C.

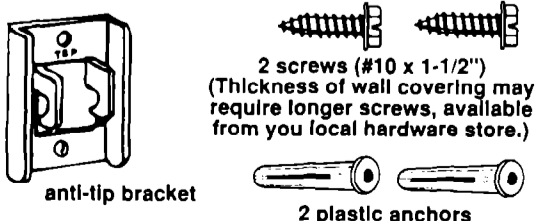
Copies of the standards listed may be obtained from:

**National Fire Protection Association
Batterymarch Park
Quincy, Massachusetts 02269

Tools needed for installation:



Parts supplied for installation:



2 screws (#10 x 1-1/2")
(Thickness of wall covering may require longer screws, available from your local hardware store.)

2 plastic anchors

Electrical requirements

Save Installation Instructions for the local electrical inspector's use. Power cord is not supplied but is available through your local electrical supply houses.

WARNING

Electrical Shock Hazard

- Electrical ground is required on this appliance.
 - Improper connection of the equipment-grounding conductor can result in electrical shock.
 - Check with a qualified electrician if you are in doubt as to whether the appliance is properly grounded.
 - Only a power supply cord kit rated at 250 volts, 40 amperes and investigated for use with ranges should be used.
 - Do Not have a fuse in the neutral or grounding circuit. A fuse in the neutral or grounding circuit could result in electrical shock.
 - Do Not plug the "pigtail" power cord into a live wall receptacle before the cord is permanently connected to the terminal block. To do so may result in personal injury from electrical shock.
- Failure to follow these instructions could result in a fire, electrical shock or personal injury.

A. A three-wire or a four-wire single phase, 120/240-volt, 60-Hz, AC-only, electrical supply (or three-wire or four-wire 120/208-volt if specified on serial plate) is required on a separate 40-ampere circuit, fused on both sides of the line. A time-delay fuse or circuit breaker is recommended.

B. THE RANGE MUST BE CONNECTED WITH COPPER WIRE ONLY.

C. Local codes may permit the use of a U.L.-listed, 250-volt, 40-ampere range power supply cord (pigtail). This cord contains three, No.-10 copper wires and matches a three-wire receptacle of NEMA Type 10-50R, shown in Figure 1. Connectors on the appliance end must be ring terminals. A U.L.-listed strain relief must be provided at the point the power supply cord enters the appliance.

D. The appliance should be connected directly to the fused disconnect or circuit breaker box through flexible, armored or non-metallic sheathed, copper cable. Allow two or three feet of slack in the line so that it can be moved if servicing is ever necessary. A U.L.-listed conduit connector must be provided at each end of the power supply cable (at the appliance and at the junction box). Wire sizes (COPPER WIRE ONLY) and connections must conform with the rating of the appliance (40 amperes).

E. IF CONNECTING TO A 4-WIRE ELECTRICAL SYSTEM: This appliance is manufactured with ground connected to cabinet. **The ground must be revised** so the green grounding wire of the 4-wire power cord is connected to the cabinet. See 4-wire electrical connection section, Panel C.

When a 4-wire receptacle of NEMA type 14-50R is used (See Figure 2), a matching U.L.-listed, 4-wire, 250-volt, 40-ampere, range power supply cord (pigtail) must be used. This cord contains four copper conductors with ring terminals on the appliance end, terminating in a NEMA Type 14-50P plug on the supply end. The fourth (grounding) conductor must be identified by a green or green/yellow cover and the neutral conductor by a white cover. Cord should be Type SRD or SRDT with a U.L.-listed strain relief and be at least four feet long.

The **MINIMUM** conductor sizes for the copper 4-wire power cord are:

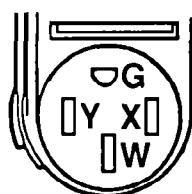
- 40 ampere circuit
- 2, No.-8 conductors
- 1, No.-10 white neutral
- 1, No.-8 green grounding

F. The wiring diagram is also located on the back of the range.



3-wire wall receptacle (10-50R)

Figure 1



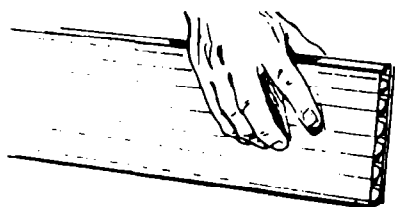
4-wire wall receptacle (14-50R)

Figure 2

Now start...

With range in kitchen.

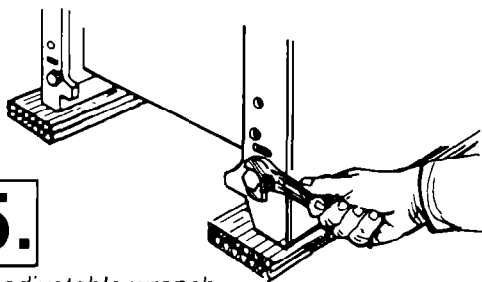
- 1.** Remove racks and other parts from inside oven.



- 2.** Take 4 cardboard corners from the carton. Stack one cardboard corner on top of another. Repeat with other two corners. Place corners lengthwise on the floor in back of range.

- 3.** Firmly grasp the range and gently lay it on its back on the cardboard corners.

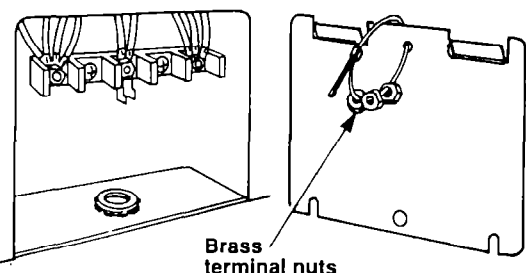
- 4.** Pull cardboard shipping base firmly to remove.



- 5.** Use adjustable wrench to loosen leveling legs four complete turns.

- 6.** Place cardboard or hardboard in front of range. Stand range back up.

- 7.** Remove the shipping materials including tape and protective film from range.

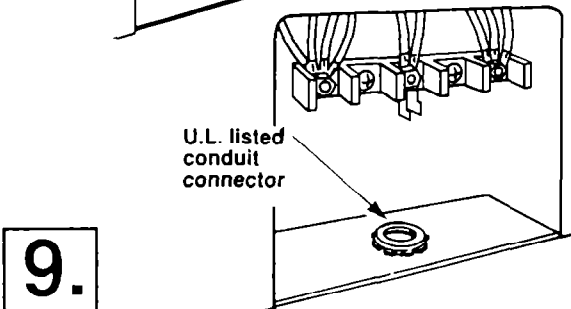
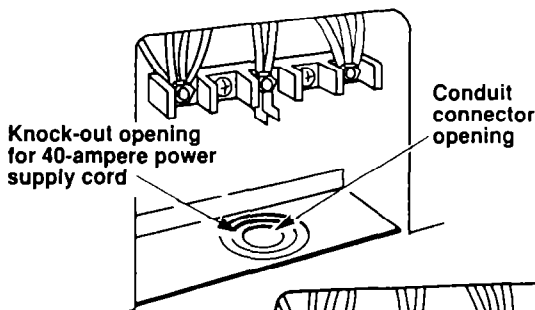


- 8.** Remove the terminal block cover located on the back of range.

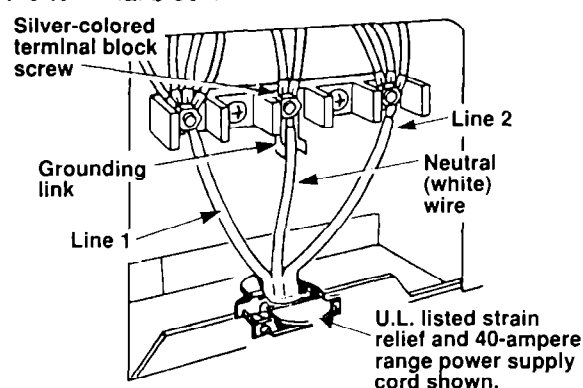
Panel B

3-wire electrical connection

See Panel C for 4-wire electrical connection.



- 9.** If appliance is to be connected directly to fused disconnect or circuit breaker box: Assemble a U.L.-listed conduit connector in the conduit connector opening provided. Insert the power supply cable through the conduit connector, allowing enough slack to easily attach the wiring to the terminal block.



If a U.L.-listed, 40-ampere range power supply cord (pigtail) is used: Remove the knockout for the 40-ampere power supply cord.

Assemble a U.L.-listed strain relief in the hole. Insert the power supply cord through the strain relief, allowing enough slack to easily attach the wiring to the terminal block.

Do not loosen the factory installed nuts already installed on the terminal block.

Use only ring-type terminals to connect the power supply. To secure the power supply cord, use the 3/8" brass nuts taped to cabinet below the terminal block.

Be sure the wiring nuts are installed tight.

Use this wiring method ONLY if local codes permit connecting cabinet-grounding conductor to neutral wire of power cord.

This appliance is manufactured with the neutral terminal connected to the cabinet. If local codes Do Not permit grounding through the neutral, a four-wire power supply cord rated 250-volts, 40-amperes and investigated for use with ranges must be used. See 4-wire electrical connection, Panel C.

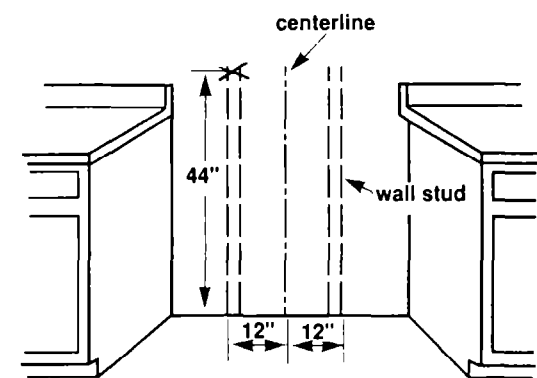
- 10.** Connect the neutral (white) wire to the silver-colored terminal screw on the terminal block. Connect the other two wires to the outer terminal screws on the terminal block. Use ring-type terminals only. Connect with the brass nuts attached to the range. Do Not loosen factory-installed nuts already on the terminal. Check that nuts are tight to insure proper electrical connection.

- 11.** Tighten the strain relief clamping screws or the locking ring and clamping screws of the conduit connector. Replace terminal block cover.

WARNING



- To prevent tipping, install range anti-tip bracket.
- Anti-tip bracket must be attached to a wood or metal wall stud, or concrete or concrete block wall.
- Do Not attach anti-tip bracket to a cabinet.
- Save these Installation Instructions. If range is moved to a new location, the anti-tip bracket must be removed and reinstalled in the new location.



- 12.** To mount anti-tip bracket to wood or metal wall stud: Find the wall stud that is closest to the center of the range location. (Note: Wall stud should Not be more than 12 inches to the right or left of center of range location.) Measure and mark at the center of the wall stud a distance of 44 inches up from the floor.

To mount anti-tip bracket to concrete or concrete block wall: Measure and mark on the rear wall at the center of the range location a distance 44 inches up from the floor. (Note: Anti-tip bracket can Not be installed more than 12 inches to the right or left of center of range location.)

WARNING

Electrical Shock Hazard

- Take special care when drilling holes into the wall. Electrical wires may be concealed behind the wall covering.
- Locate the electrical circuits that could be affected by the installation of this bracket and turn off the power to these circuits.

Failure to follow these instructions may result in electrical shock or other personal injury.

CAUTION

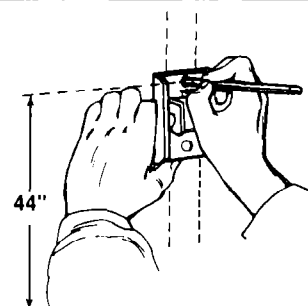
Property Damage

- Contact a qualified installer for the best procedure to drill mounting holes through the type of wall covering (i.e. ceramic tile) and into wall stud, concrete or concrete block wall.

- Before moving range across floor, check that range is on shipping base or slide range onto cardboard or hardboard.

Failure to follow these instructions may result in damage to wall or floor covering.

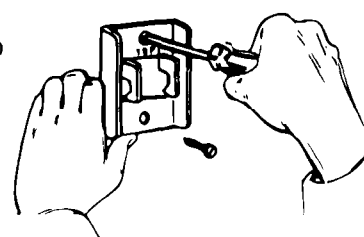
- 13.** Line up the "TOP" mounting hole on anti-tip bracket with mark on wall. Use a pencil to mark the location of the top and bottom mounting holes. Remove bracket. If wall covering is ceramic tile, drill a 3/16-inch hole through tile only. Then proceed as follows:



For wood or metal wall studs: Drill 1/8" holes at each mounting hole location through wall and into stud.

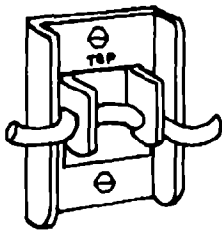
For concrete or concrete block wall: Drill 3/16" holes (1-3/4-inch minimum deep) at each mounting hole location. Tap plastic anchors into mounting holes with hammer.

- 14.** Line up holes on bracket with holes on wall, making sure that the "TOP" mounting hole on bracket is lined up with top hole in wall. Securely fasten bracket to wall using screws provided.

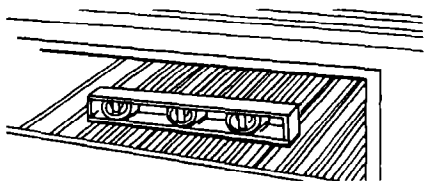


- 15.** Plug range power supply cord into grounded outlet. Carefully slide range into position until range is approximately 2 inches from rear wall. Remove shipping base, cardboard or hardboard from under the range.

16. Push cable, located on rear of range, up and into the two hooks on the anti-tip bracket. Check that cable is secure in both hooks by pulling cable towards range. If cable comes out of hooks, reposition cable to insure that cable fits securely in both anti-tip bracket hooks. Slide range into final position.

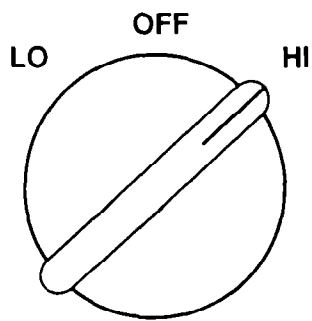


17. If installing the range in a mobile home, you MUST secure the range to the floor. Any method of securing the range is adequate as long as it conforms to the standards listed in the Mobile Home Installation Instructions, Panel A.



18. Place rack in oven. Place level on rack, first side to side; then front to back. If range is not level, adjust the leveling legs up or down until the range is level. Note: Oven must be level for satisfactory baking conditions.

19. Push in and turn each surface unit control knob to "HI" position. Check the operation of the cooktop elements and indicator lights.



20. "88:88" should appear in the clock display. Press the "Clock Set" button. "TIME, HR AND MIN will light up in the display. "0:00" will appear and the ":" will be flashing. Press the number buttons for the correct time of day. Press "Start/Enter" button to start the clock.

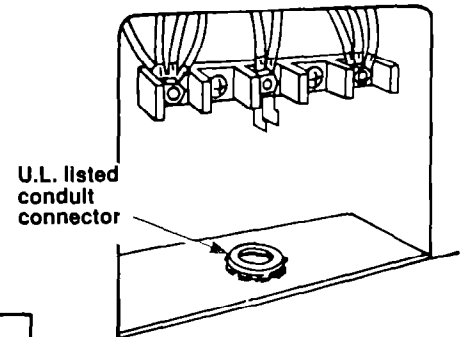
21. Check the operation of the oven element. Press the "BAKE" button. "350°" will appear in the temperature display. The ON, Bake Element, Outer Broil Element and Oven Cavity symbols will light up in the display. Press the "Start/Enter" button. The bottom element should glow red and the indicator light should be on. The upper element should become hot but not glow red. The oven indicator light goes off when the oven is preheated. Press "Cancel/OFF" button.

22. Check the operation of the broil element. Press the "BROIL" button. "500°" will appear in the temperature display. The ON, Inner and Outer Broil Elements and Oven Cavity symbols will light up in the display. Press the "Start/Enter" button. The top element should glow red and the indicator light should be on. Press the "Cancel/OFF" button.

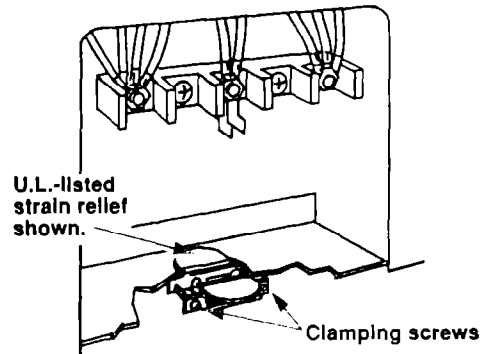
To get the most efficient use from your new electric range, read your KitchenAid Use and Care Guide. Keep Installation Instructions and Guide close to the electric range for easy reference.

4-wire electrical connection

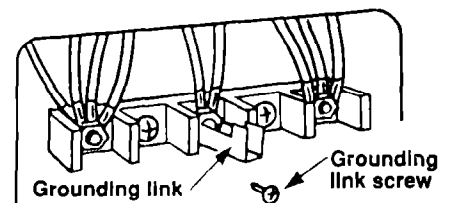
Use this wiring method for mobile homes and whenever 4-wire installation is required.



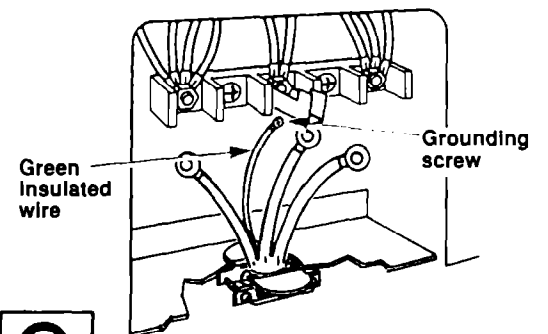
A. If appliance is to be connected directly to fused disconnect or circuit breaker box: Assemble a U.L.-listed conduit connector in the conduit connector opening provided. Insert the power supply cable through the conduit connector, allowing enough slack to easily attach the wiring to the terminal block.



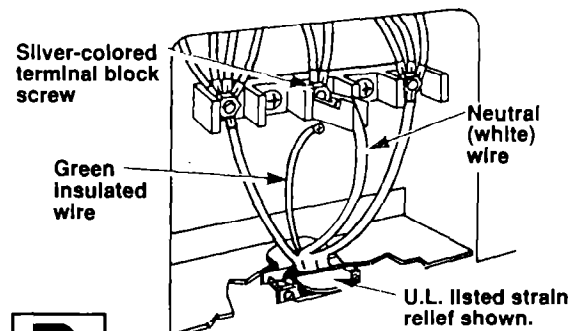
If a U.L.-listed, 40-ampere range power supply cord (pigtail) is used: Remove the knockout for the 40-ampere power supply cord. Assemble a U.L.-listed strain relief in the hole. Insert the power supply cord through the strain relief, allowing enough slack to easily attach the wiring to the terminal block. Do not loosen the factory installed nuts already installed on the terminal block.



B. Remove the grounding-link screw from the range frame. Save the grounding screw. Bend up the grounding link so that it does not contact the range.



C. Connect the green grounding wire to the range using the grounding screw removed in Step B. The green grounding wire must be attached first and must not contact any other terminal.



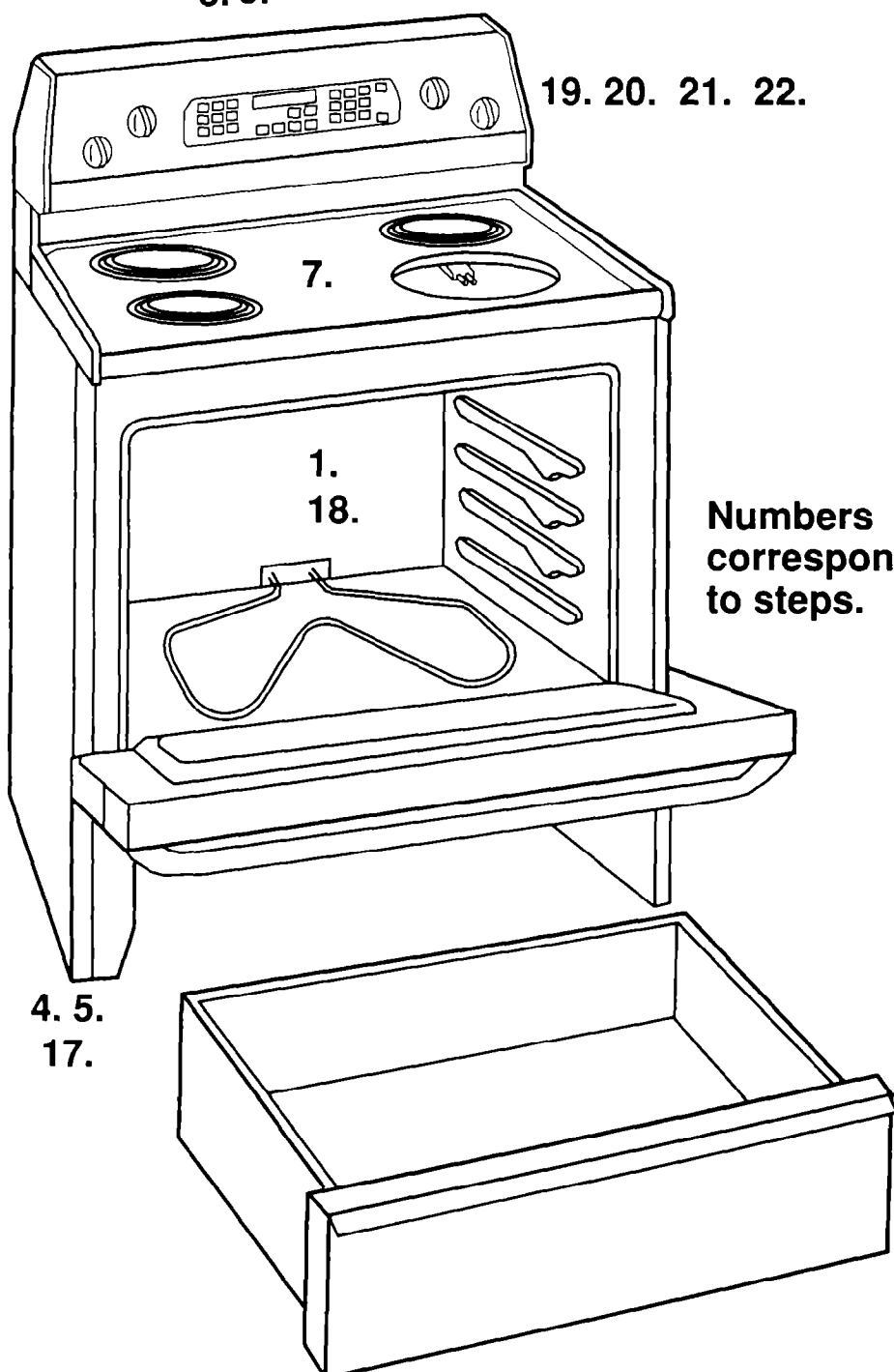
D. Connect the neutral (white) wire to the center, silver-colored terminal screw on the terminal block. Connect the other two wires to the outer terminals on the terminal block. Use ring-type terminals only. Connect and securely tighten the brass nuts that are provided on a plastic strip attached to the range. Do Not loosen the factory installed nuts already on the terminal. Be sure that the nuts are installed tight.

E. Tighten the strain relief clamping screws or the locking ring and clamping screws of the conduit connector. Replace the terminal block cover.

F. Continue installation at Step 12, Panel B.

8. 9. 10. 11. 15. 16.

19. 20. 21. 22.



Numbers correspond to steps.

If the range does not operate...

- Check that the circuit breaker is not tripped or the fuse blown.
- Check that power supply cord is plugged into wall receptacle.

NOTE:

Refer to Use and Care Guide for operating instructions and cleaning instructions.

WARNING

Personal Injury/Product Damage Hazard
Do Not step, lean or sit on the range drawer or door.

Failure to follow this instruction could result in personal injury and/or product damage.

For cleaning and maintenance...

If removing the range is necessary for cleaning or maintenance, disconnect the electric supply.

If electrical supply is inaccessible, lift the range slightly at the front and pull the range away from the wall. Pull the range out only as far as necessary to disconnect the electric supply line.

Remove the cable from the anti-tip bracket and remove range to complete cleaning or maintenance.

Move range back into operating position. Insert cable into anti-tip bracket. Level the range. Reconnect the electrical supply. Make sure that cable is secure in anti-tip bracket.

If you need assistance...

The KitchenAid Consumer Assistance Center will answer any questions about operating or maintaining your range not covered in the Installation Instructions. The KitchenAid Consumer Assistance Center is open 24 hours a day, 7 days a week. Just dial 800-422-1230 – the call is free.

When you call, you will need the range model number and serial number. Both numbers can be found on the serial/rating plate located on the oven frame behind the door.

If you need service...

In the event that your KitchenAid appliance should need service, call the dealer from whom you purchased the appliance or a KitchenAid-authorized service company. A KitchenAid-authorized service company is listed in the Yellow Pages of your telephone directory under "Appliances – Household – Major – Service or Repair". You can also obtain the service company's name and telephone number by dialing, free, within the continental United States, the KitchenAid Consumer Assistance Center telephone number, 800-422-1230. A special operator will tell you the name and number of your nearest KitchenAid-authorized service company.

Maintain the quality built into your appliance – call a KitchenAid-authorized service company.

Part No. 9750520 Rev. A

© 1996 KitchenAid.

® Registered Trademark of KitchenAid

Prepared by KitchenAid, Benton Harbor, Michigan 49022

Free Manuals Download Website

<http://myh66.com>

<http://usermanuals.us>

<http://www.somanuals.com>

<http://www.4manuals.cc>

<http://www.manual-lib.com>

<http://www.404manual.com>

<http://www.luxmanual.com>

<http://aubethermostatmanual.com>

Golf course search by state

<http://golfingnear.com>

Email search by domain

<http://emailbydomain.com>

Auto manuals search

<http://auto.somanuals.com>

TV manuals search

<http://tv.somanuals.com>