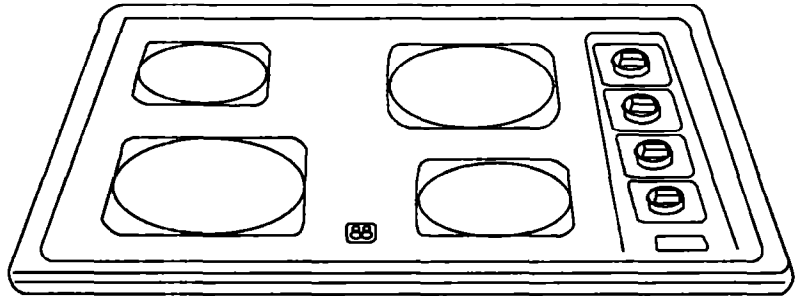


Installation Instructions



30" (76.2cm) Electric Built-in Ceramic Cooktop

IMPORTANT:
**Read and save these
instructions.**

IMPORTANT:

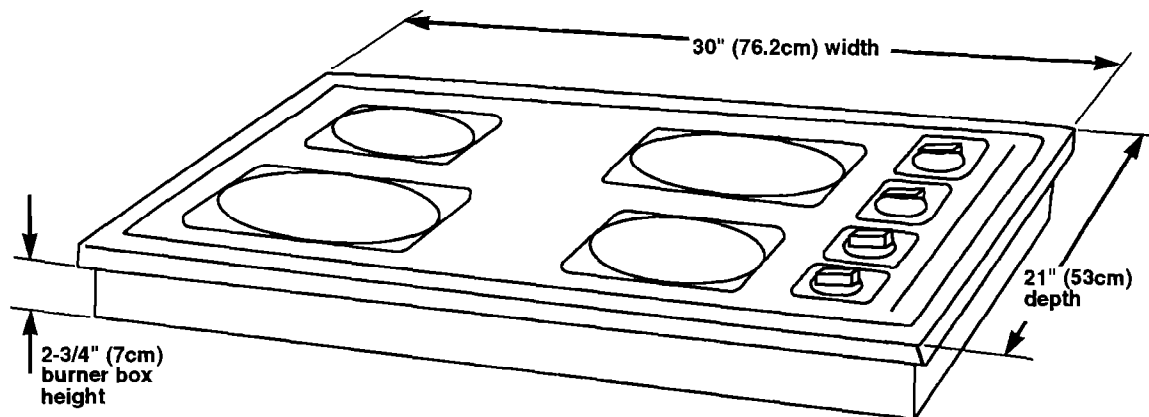
Installer: Leave Installation Instructions with the homeowner.

Homeowner: Keep Installation Instructions for future reference.

Save Installation Instructions for local electrical inspector's use.

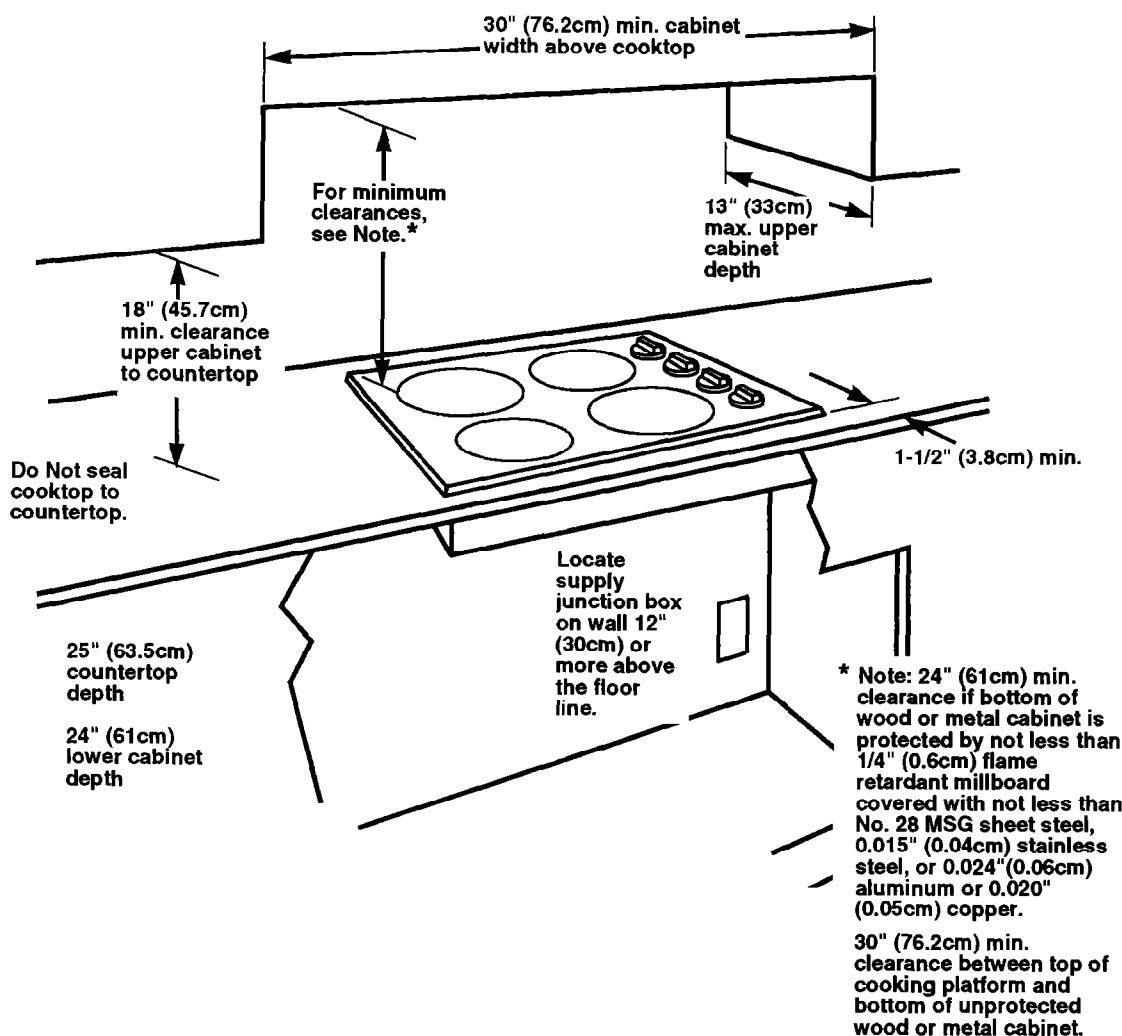
Part No. 3188086 Rev. A

Product dimensions

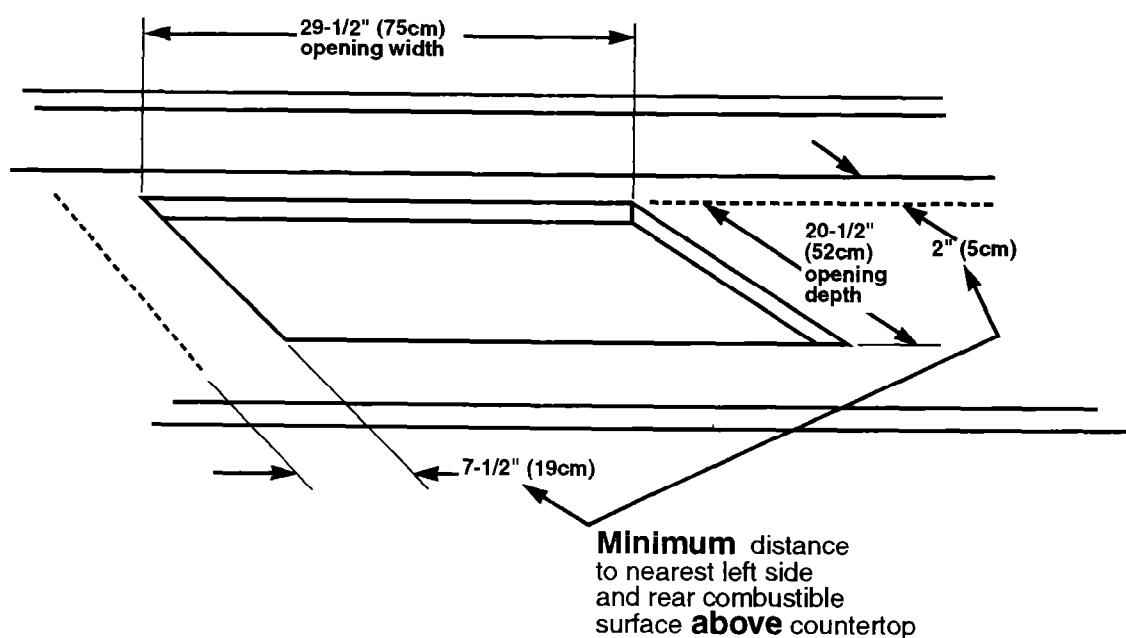


Cabinet dimensions

30" (76.2cm) min. base cabinet is required. If cabinet has a drawer, a 3" (7.5cm) depth clearance from the countertop to the top of the drawer (or other obstruction) in the base cabinet is required.



Cutout dimensions



Panel A

Before you start...

Proper installation is your responsibility. Make sure you have everything for correct installation. It is the responsibility of the installer to comply with the installation clearances specified on the serial/rating plate. The serial/rating plate is found on the bottom of the cooktop.

Cooktop installed over oven installation: Cooktop models KECC500W, KECC500B, YKECC500B and YKECC500W can be installed over oven models KEBN100Y, KEBN107B and RB262PXA.

Check location where cooktop will be installed. The location should be away from strong draft areas, such as windows, doors and strong heating vents or fans. The cooktop should be located for convenient use in the kitchen.

Important: Observe all governing codes and ordinances.

Failure to meet governing codes and ordinances could lead to fire or electrical shock.

Countertop opening dimensions that are shown must be used. Given dimensions are minimum clearances and provide required 0" (0cm) clearance.

New installations — follow minimum dimensions given.

Replacement installations — Be sure that front edge of cooktop is at least 1-1/2" (3.8cm) back from front edge of countertop.

A built-under oven may be installed under this cooktop if oven is approved for this type of installation. Check for approval label located on top of oven. If label is not located, contact dealer to confirm that oven is approved. Refer to oven manufacturers Installation Instructions for approval and proper cutout dimensions.

When installing cooktop over a built-under oven, Do Not fasten cooktop to countertop with clamps. Cooktop then will be easy to remove if servicing is ever necessary.

ALL OPENINGS IN THE WALL OR FLOOR WHERE THE COOKTOP IS TO BE INSTALLED MUST BE SEALED.

WARNING

Electrical Shock Hazard

It is the customer's responsibility:

- To contact a qualified electrical installer.
- To assure that the electrical installation is adequate and in conformance with National Electrical Code, ANSI/NFPA 70 — latest edition**, or Canadian Electrical Code, C22.1 - 1982 and C22.2 No. 01982 (or latest edition)*** and all local codes and ordinances.

Failure to do so could result in electrical shock or other personal injury.

Personal Injury Hazard

Cabinet storage above the cooking surface should be avoided. If cabinets are already installed, reduce the hazard of reaching over a heated cooking surface by installing a range hood.

The range hood should extend a minimum of 5 inches out from the bottom of the cabinets.

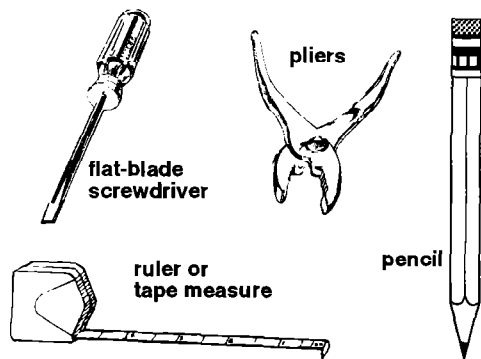
Reaching over a heated cooking surface could result in a serious burn.

Copies of the standards listed may be obtained from:

**National Fire Protection Association
Battery March Park
Quincy, Massachusetts 02269

***Canadian Standard Association
178 Rexdale Boulevard
Rexdale, (Toronto), Ontario M9W 1R3

Tools needed for installation:



Electrical requirements

⚠ WARNING

Electrical Shock Hazard

- Electrical ground is required on this appliance.
- Do Not ground to a gas pipe.
- Do Not have a fuse in the neutral or grounding circuit. A fuse in the neutral or grounding circuit could result in an electrical shock.
- Check with a qualified electrician if you are in doubt as to whether the appliance is properly grounded.

Failure to follow these instructions could result in serious injury or death.

If codes permit and a separate grounding wire is used, it is recommended that a qualified electrician determine that the grounding path is adequate.

IMPORTANT:

Save Installation Instructions for electrical inspector's use.

A. A three-wire or four-wire, single phase, 240-volt, 60-Hz, AC-only electrical supply is required on a separate, 40-ampere circuit, fused on both sides of the line. A time-delay fuse or circuit breaker is recommended. The fuse size must not exceed the circuit rating of the appliance specified on the serial/rating plate located on the bottom of the cooktop.

B. THE COOKTOP MUST BE CONNECTED WITH COPPER WIRE ONLY.

C. Wire sizes and connections must conform to the requirements of the National Electrical Code ANSI/NFPA — latest edition**, or Canadian Electrical Code, C22.1- 1982, and C22.2 No. 01982 (or latest edition)*** and all local codes and ordinances. Copies of the standards listed may be obtained from:

**National Fire Protection Association
Batterymarch Park
Quincy, Massachusetts 02269

*** Canadian Standard Association
178 Rexdale Boulevard
Rexdale (Toronto), Ontario M9W 1R3

D. The appliance should be connected directly to the fused disconnect or circuit breaker box through flexible, armored or non-metallic sheathed, copper cable. The flexible, armored cable extending from the appliance should be connected directly to the junction box.

E. Locate the junction box to allow as much slack as possible between junction box and the cooktop so that the cooktop can be moved if servicing is ever necessary.

F. A U.L.- or C.S.A.-listed conduit connector must be provided at each end of the power supply cable (at the appliance and at the junction box).

Electrical connection

⚠ WARNING

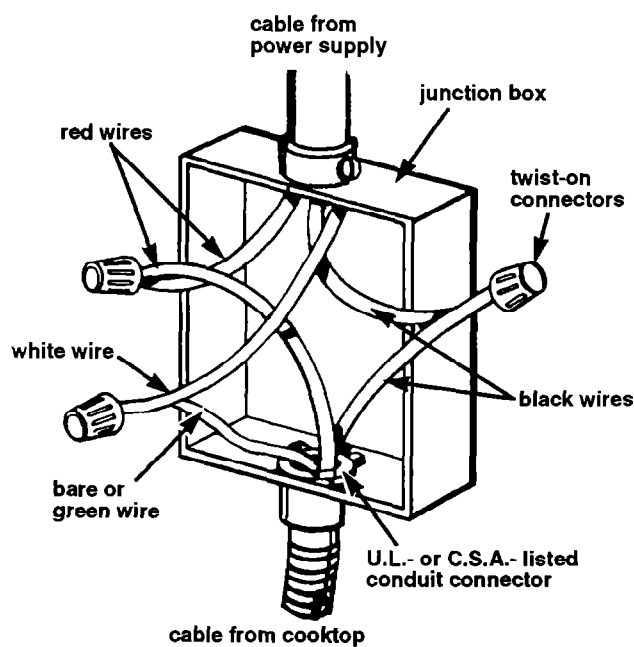
Electrical Shock Hazard

- Electrical ground is required on this appliance.
- This appliance must be connected to a grounded, permanent wiring system or a grounding connector should be connected to the grounding terminal or wire lead on the appliance.
- Disconnect power to the junction box.
- Do Not connect to the electrical supply until appliance is permanently grounded.

Failure to do so could result in electrical shock, serious injury, or death.

This appliance is manufactured with a frame connected, green or bare grounding wire. Connect the appliance cable to the junction box through the U.L.-listed conduit connector. Complete electrical connection according to local codes and ordinances.

A. Where local codes permit connecting the frame-grounding conductor to the neutral (white) junction box wire:

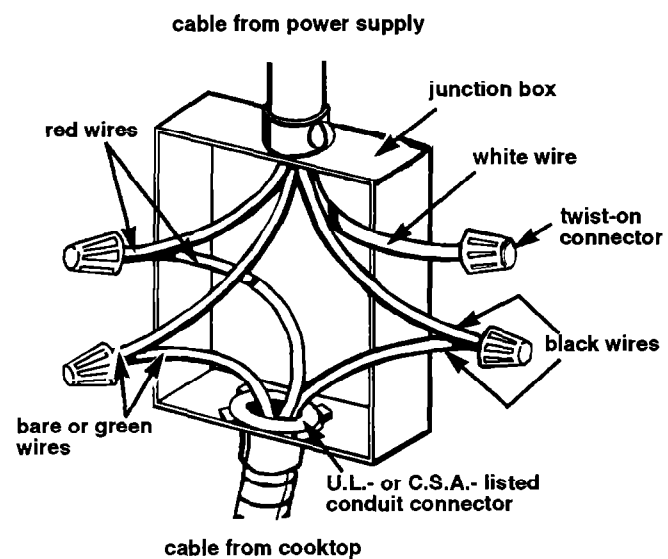


Grounded neutral

Figure 1

1. Disconnect power supply.
2. Connect the flexible armored cable from the cooktop to the junction box using a U.L.- or C.S.A.-listed conduit connector. Tighten screws on conduit connector.
3. Connect the green (or bare) appliance cable wire with the neutral (white) wire in the junction box using twist-on connector.
4. Connect the two black wires together; then connect the two red wires together with twist-on connector. (See Figure 1.)

B. Where local codes Do Not permit connecting the frame-grounding conductor to the neutral (white) junction box wire:



Ungrounded neutral

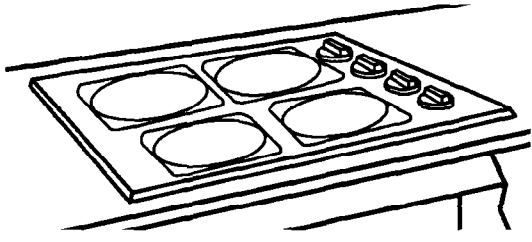
Figure 2

1. Disconnect power supply.
2. Connect the flexible armored cable from the cooktop to the junction box using a U.L.- or C.S.A.-listed conduit connector. Tighten screws on conduit connector.
3. Connect the two black wires together; then connect the two red wires together using twist-on connector. (See Figure 2.)
4. Connect the green or bare grounding wire from the appliance cable to the grounded wire in the junction box or other grounded connector using twist-on connector.
5. Put a twist-on connector on end of white wire.
6. Contact a qualified electrician to assure that grounding path is adequate.
7. Do Not ground to a gas supply pipe or hot water pipe. Do Not connect to electrical supply until appliance is permanently grounded.

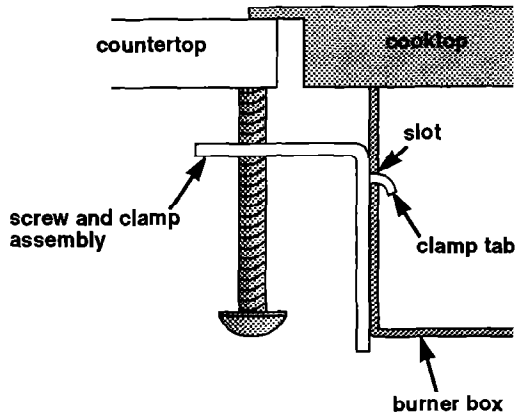
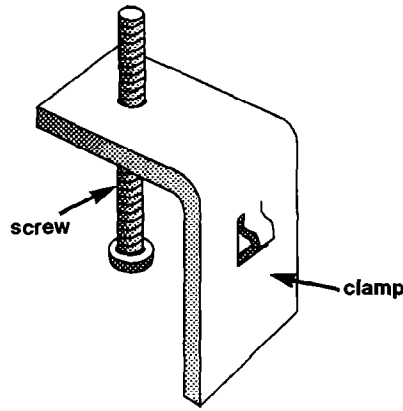
Now start...
With cooktop in kitchen.

⚠ CAUTION

Property Damage
Lift entire cooktop up from cutout when repositioning cooktop in countertop opening.
Failure to do so could scratch the countertop.



1. Insert the cooktop into the countertop. Center the cooktop in the cutout. Check that the front of the cooktop is parallel to the front edge of the countertop. Check that all required clearances are met. If cooktop is not properly positioned, lift the entire cooktop out of opening to make adjustments.



2. Insert one clamp tab through each slot located on sides of the burner box.

Note: If installing cooktop over a built-under oven, **Do Not** fasten cooktop to countertop with clamps. Cooktop will then be easy to remove if servicing is ever required.

⚠ WARNING

Personal Injury Hazard
Do Not overtighten screws.
Overtightening screws could cause personal injury or product damage.

3. Secure cooktop to countertop by hand-tightening each screw; then use a screwdriver to tighten each screw 1 to 1-1/2 more turns. Do Not overtighten screws.

4. Make electrical connection. (See "Electrical requirements" and "Electrical connection" sections, Panel B.)

5. Turn on power supply.

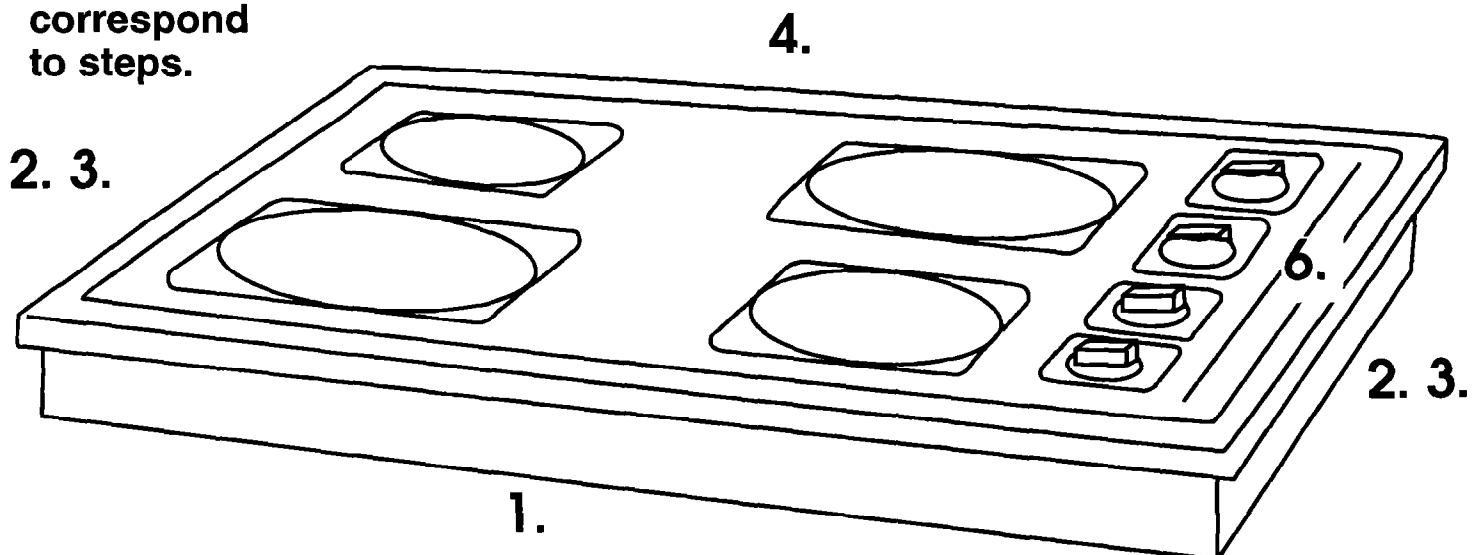
⚠ WARNING

Personal Injury Hazard
Do Not touch cooktop surface. Areas near elements may be hot.
Touching a heated cooking surface could result in a serious burn.

6. Push in and turn each control knob to the "HI" position. Check the operation of the cooktop elements and indicator lights.

To get the most efficient use from your new cooktop, read your KitchenAid Use and Care Guide. Keep Installation Instructions and Guide close to cooktop for easy reference.

Numbers correspond to steps.



If cooktop does not operate...

Check that the circuit breaker is not tripped or the house fuse blown. A more detailed troubleshooting checklist is provided in the Use and Care Guide.

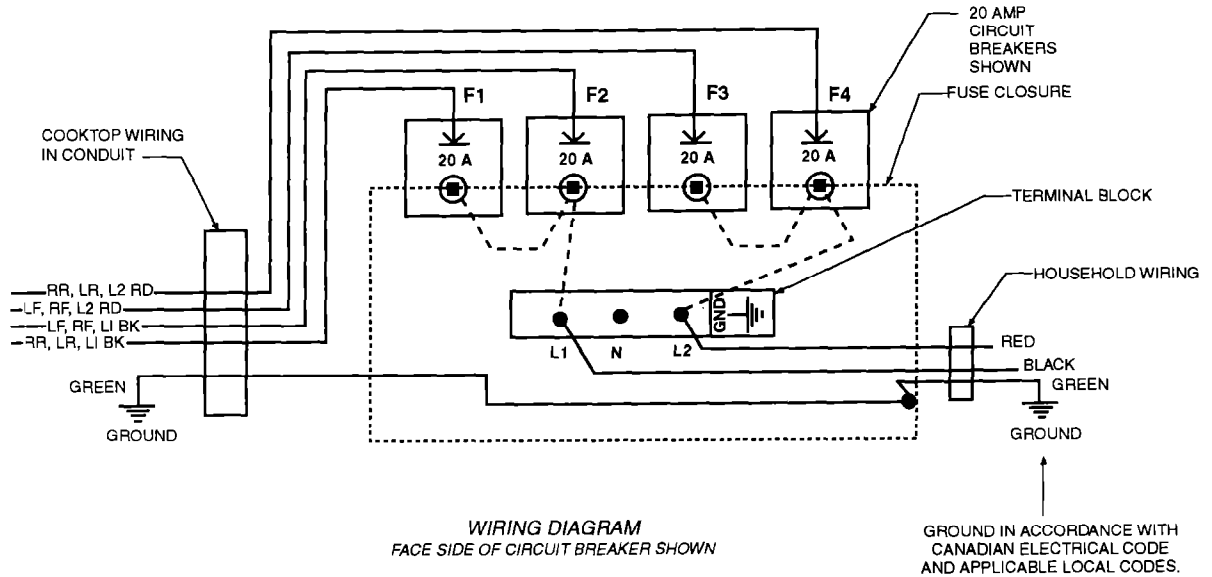
If you need service...

Call your dealer or a KitchenAid-authorized service outlet. When you call, you will need the cooktop model number and serial number. Both numbers can be found on the serial/rating plate located on the bottom of the cooktop burner box.

All service should be handled locally by the dealer from whom you purchased the cooktop or by a KitchenAid-authorized service outlet. The name of local KitchenAid-authorized service outlet can be found in the Yellow Pages of any metro area telephone directory under "Major Appliances."

If your local service is unsatisfactory, contact:

KitchenAid Canada
1901 Minnesota Court
Mississauga, Ontario
L5N 3A7
Telephone:
(905)821-6400



Printed on recycled paper.
10% post consumer waste/
50% recovered materials.

Part No. 3188086 Rev. A
© 1994 KitchenAid
® KitchenAid. Registered Trademark of KitchenAid.

Prepared by KitchenAid, St. Joseph, Michigan 49085
Printed in U.S.A.

KitchenAid[®]
HOME APPLIANCES



Imprimé sur papier recyclé.
10 % de rebuts après usage
50 % de matières récupérées
Imprimé aux É.-U.

Pièce n° 3188086 Rév. A
© 1994 KitchenAid
® Kitchen Aid Marque déposée de KitchenAid.

Préparé par KitchenAid, St. Joseph, Michigan 49085

Free Manuals Download Website

<http://myh66.com>

<http://usermanuals.us>

<http://www.somanuals.com>

<http://www.4manuals.cc>

<http://www.manual-lib.com>

<http://www.404manual.com>

<http://www.luxmanual.com>

<http://aubethermostatmanual.com>

Golf course search by state

<http://golfingnear.com>

Email search by domain

<http://emailbydomain.com>

Auto manuals search

<http://auto.somanuals.com>

TV manuals search

<http://tv.somanuals.com>