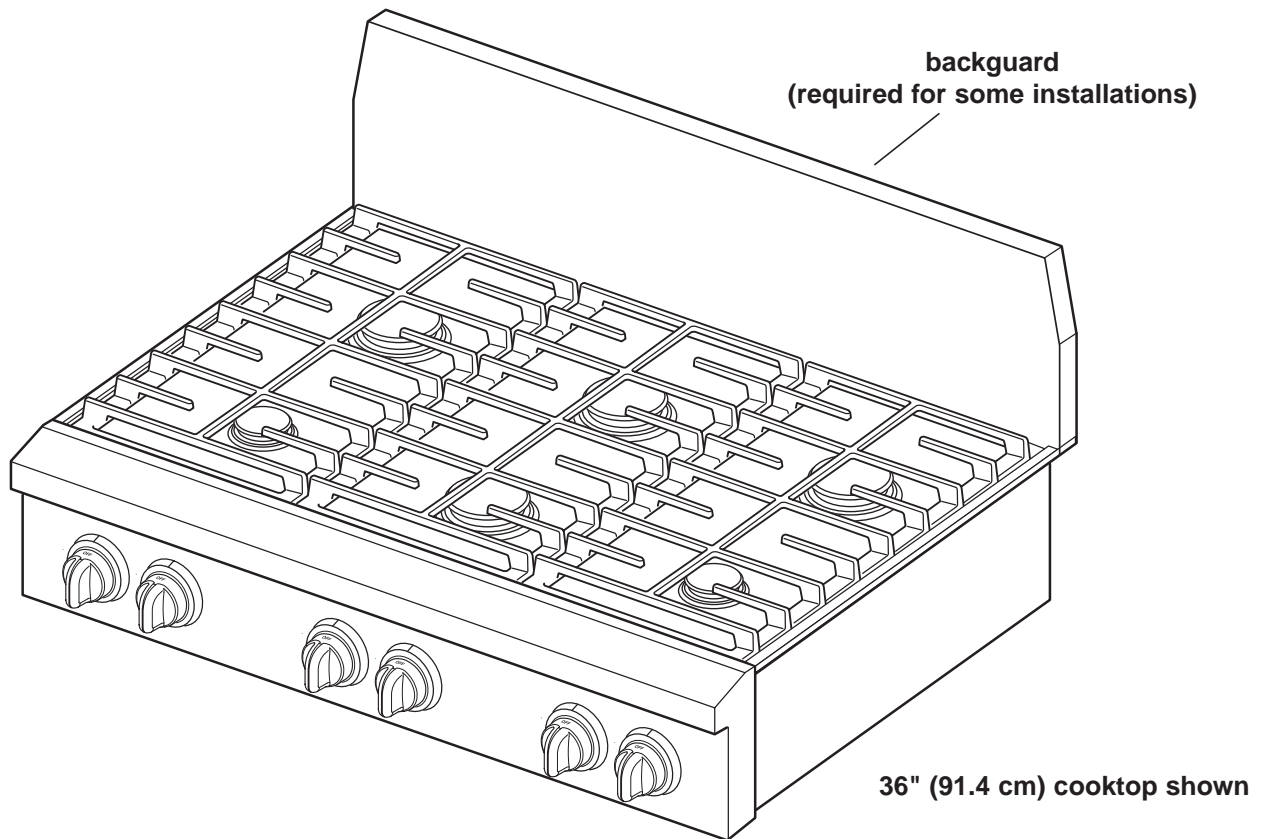


# Installation Instructions

## 36" (91.4 cm) and 48" (121.9 cm)

## Professional Gas Cooktop

### for residential use only



36" (91.4 cm) cooktop shown



**KitchenAid**<sup>®</sup>  
FOR THE WAY IT'S MADE<sup>®</sup>

Questions regarding features, operation, performance, parts or service? Call 1-800-422-1230 or visit our web site at [www.kitchenaid.com](http://www.kitchenaid.com).

### **IMPORTANT:** Read and save these instructions.

**IMPORTANT:**

**Installer:** Leave Installation Instructions with the homeowner.

**Homeowner:** Keep Installation Instructions for future reference. Save Installation Instructions for local electrical inspector's use.

Write down the model and serial numbers before installing cooktop.

Both numbers are on the model/serial number plate, located on the left front underside of the cooktop burner box.

Model # \_\_\_\_\_

Serial # \_\_\_\_\_

Part No. 8284670

# Before you start...

## Your safety and the safety of others are very important.

We have provided many important safety messages in this manual and on your appliance. Always read and obey all safety messages.



This is the safety alert symbol.

This symbol alerts you to potential hazards that can kill or hurt you and others.

All safety messages will follow the safety alert symbol and either the word "DANGER" or "WARNING".

These words mean:

## **DANGER**

You can be killed or seriously injured if you don't immediately follow instructions.

## **WARNING**

You can be killed or seriously injured if you don't follow instructions.

All safety messages will tell you what the potential hazard is, tell you how to reduce the chance of injury, and tell you what can happen if the instructions are not followed.

**Important: Observe all governing codes and ordinances.**

**WARNING: If the information in this manual is not followed exactly, a fire or explosion may result causing property damage, personal injury or death.**

- **Do not store or use gasoline or other flammable vapors and liquids in the vicinity of this or any other appliance.**
- **WHAT TO DO IF YOU SMELL GAS**
  - **Do not try to light any appliance.**
  - **Do not touch any electrical switch.**
  - **Do not use any phone in your building.**
  - **Immediately call your gas supplier from a neighbor's phone. Follow the gas supplier's instructions.**
  - **If you cannot reach your gas supplier, call the fire department.**
- **Installation and service must be performed by a qualified installer, service agency or the gas supplier.**

**Note: This cooktop is manufactured for use with Natural gas.** To convert to L.P./Propane gas, see the Gas Conversion instructions provided in literature package.

**Proper gas supply connection** must be available. See "Gas supply requirements," Page 5.

**Proper installation** is your responsibility. Have a qualified technician install this cooktop.

Make sure you have everything necessary for correct installation. It is the responsibility of the installer to comply with the installation clearances specified on the model/serial rating plate. The model/serial rating plate can be found on the underside of the cooktop burner box.

It is recommended that an overhead vent hood be used with this cooktop. For island installations, a 48" (122 cm) hood is recommended.

**Check location** where cooktop will be installed. The location should be away from strong draft areas, such as windows, doors and strong heating vents or fans.

Do not obstruct flow of combustion and ventilation air.

All openings in the wall or floor where the cooktop is to be installed must be sealed.

**Electrical ground** is required. See "Electrical Requirements," Page 6.

**It is the customer's responsibility:**

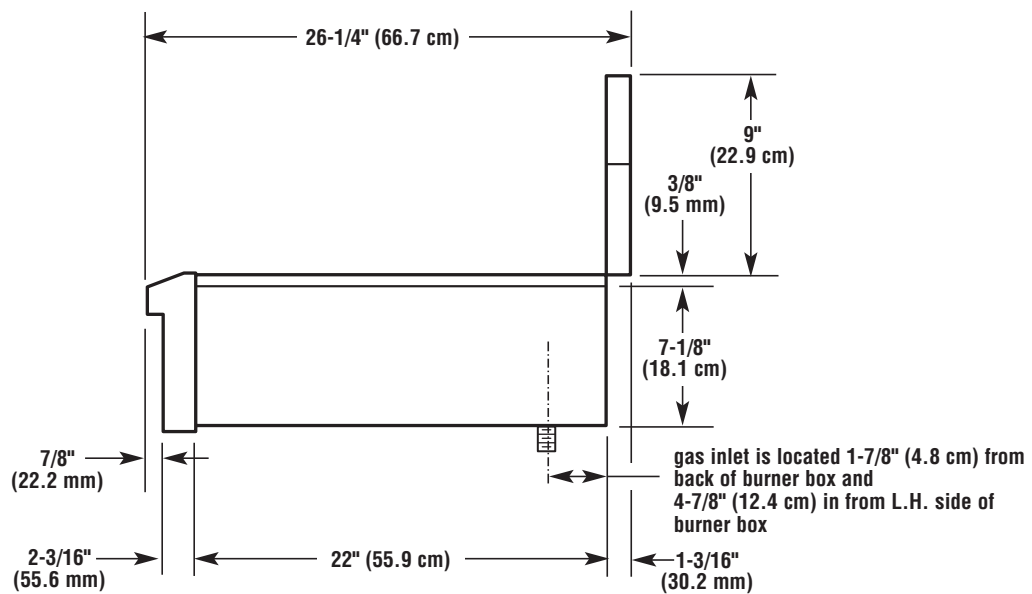
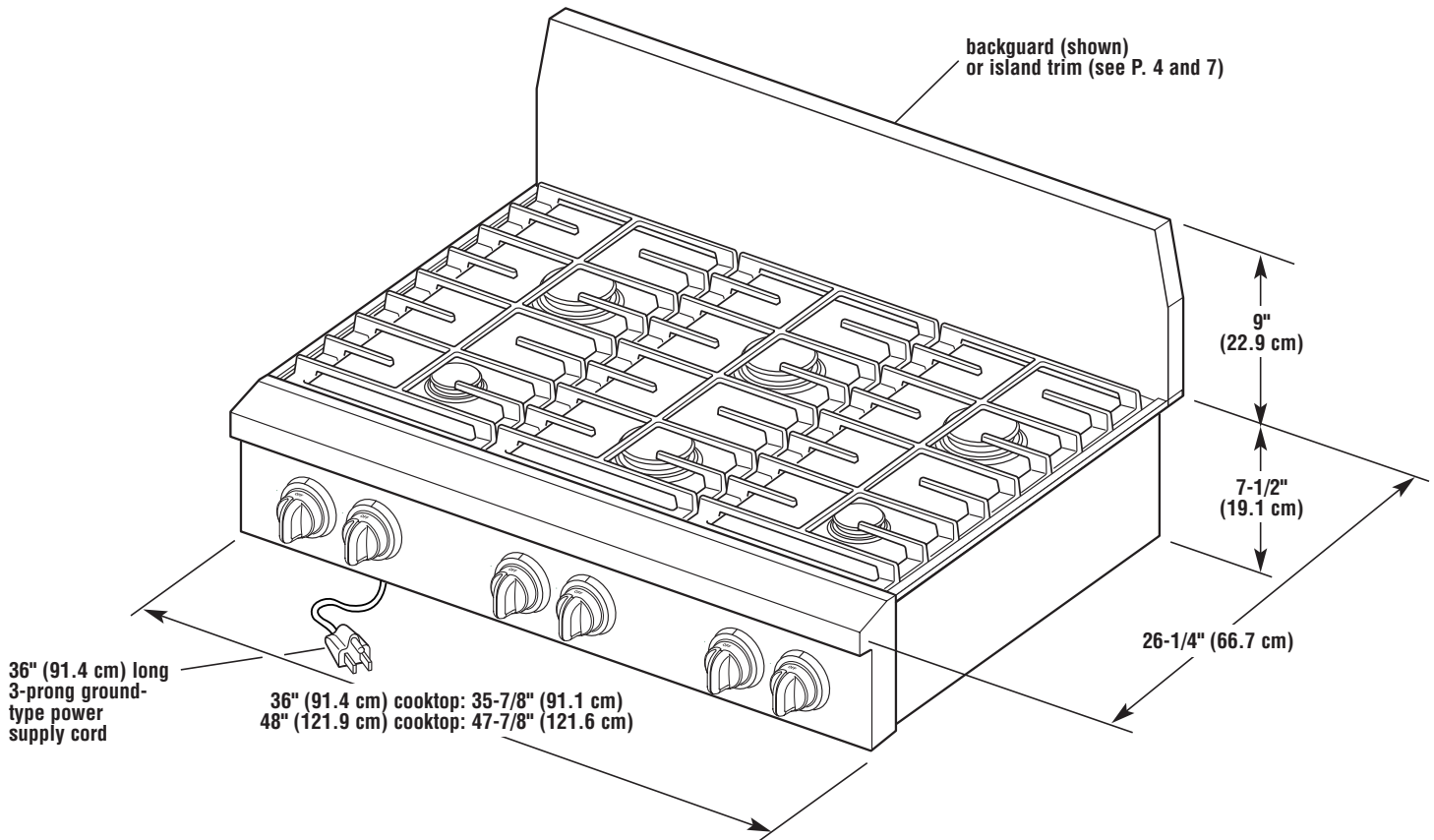
- **To contact a qualified electrical installer.**
- **To assure that electrical installation is adequate and in conformance with National Electrical Code, ANSI/NFPA 70 — latest edition\*, or Canadian Electrical Code, C22.1 -1982 and C22.2 No. 01982 (or latest edition)\*\* and all local codes and ordinances.**

Copies of the standards listed may be obtained from:

\* **National Fire Protection Association**  
One Batterymarch Park  
Quincy, Massachusetts 02269

\*\* **CSA International**  
8501 East Pleasant Valley Rd.  
Cleveland, Ohio 44131-5575

# Product Dimensions



side view of cooktop

**Countertop opening and clearance dimensions** that are shown must be used. Given dimensions provide required clearances.

**Mobile home installation:** The installation of this cooktop must conform to the Manufactured Home Construction and Safety Standards, Title 24 CFR, Part 3280 (formerly the Federal Standard for Mobile Home Construction and Safety; Title 24 HUD part 280); or when such standard is not applicable, the Standard for Manufactured Home Installations (Manufactured Home Sites, Communities and Setups), ANSI A225.1 — latest edition\*, or with local codes.

In Canada, the installation of this cooktop must conform with the current standards CAN/CSA-Z240 — latest edition\*\*, or with local codes.

The cooktop is designed to hang from the countertop by its side and rear flanges.

The gas and electric supply should be located as shown in "Gas and Electric Dimensions," Page 5, so that they are accessible without requiring removal of the cooktop.

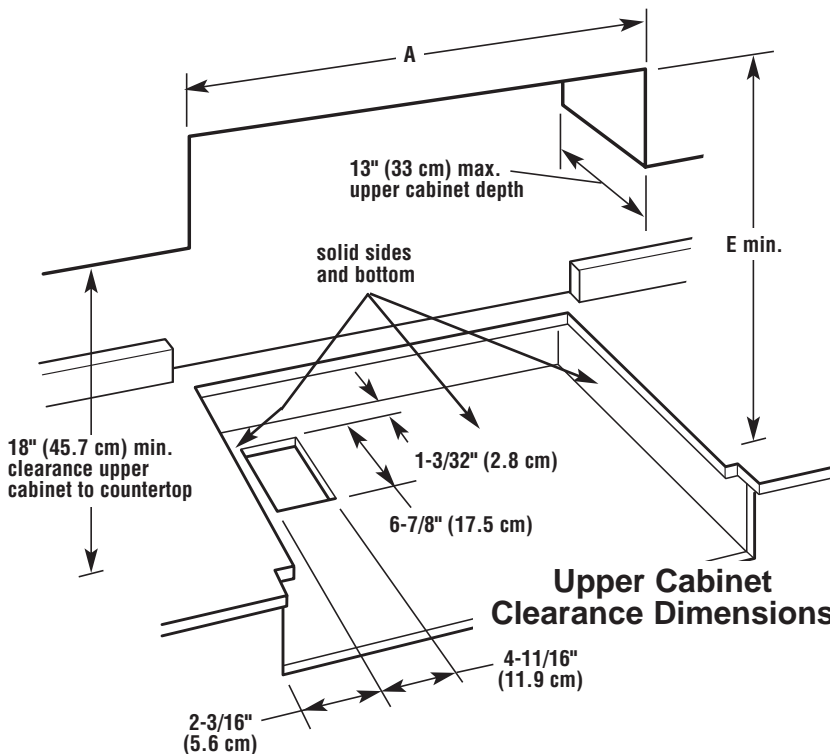
Provide an 4-11/16" x 6-7/8" (11.9 cm x 17.5 cm) cutout in left rear corner of cutout enclosure to provide clearance for gas inlet, power supply cord, and to allow the rating label to be visible.

Copies of the standards listed may be obtained from:

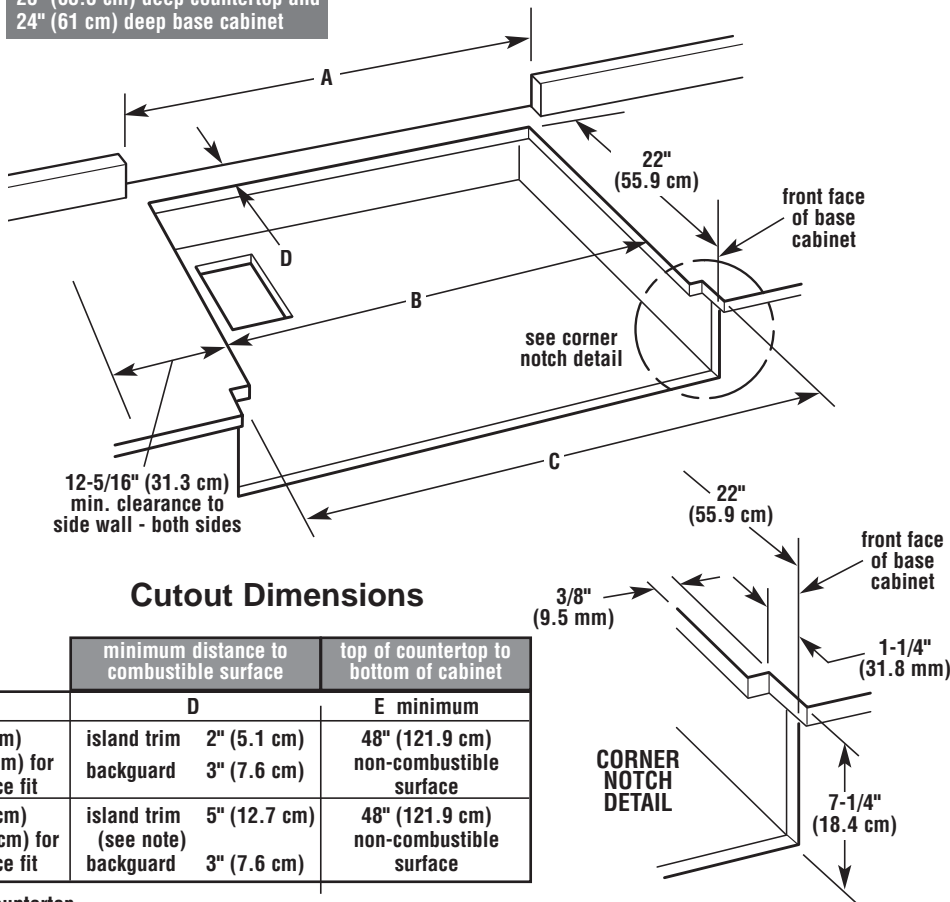
\* National Fire Protection Association  
One Batterymarch Park  
Quincy, Massachusetts 02269

\*\* CSA International  
8501 East Pleasant Valley Rd.  
Cleveland, Ohio 44131-5575

# Cabinet and Cutout Dimensions



Dimensions shown are for 25" (63.5 cm) deep countertop and 24" (61 cm) deep base cabinet

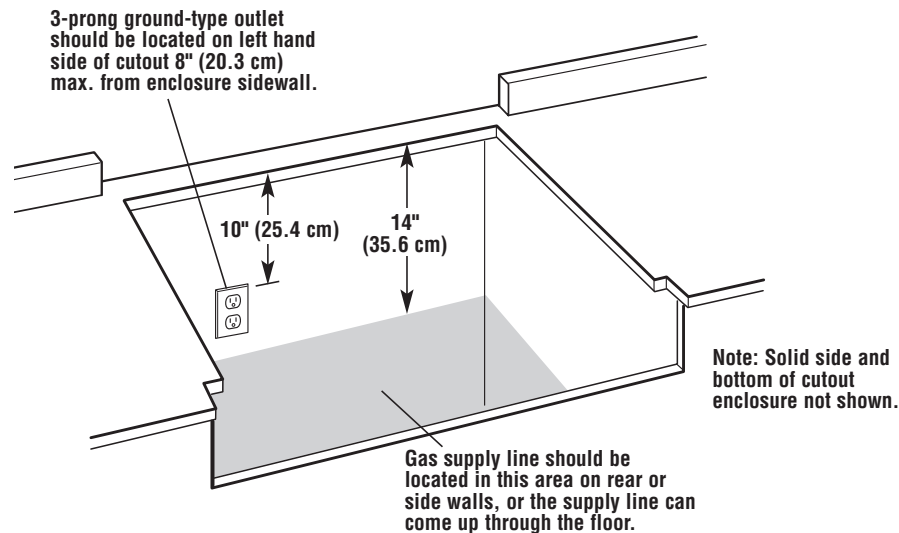


cooktop	A	B	C	minimum distance to combustible surface		top of countertop to bottom of cabinet	
				island trim	backguard	island trim	backguard
36" (91.4 cm)	36" (91.4 cm)	35-1/4" (89.5 cm)	36" (91.4 cm) 35-7/8" (91.1 cm) for zero clearance fit	2" (5.1 cm)	3" (7.6 cm)	48" (121.9 cm) non-combustible surface	
48" (121.9 cm)	48" (121.9 cm)	47-1/4" (120.0 cm)	48" (121.9 cm) 47-7/8" (121.6 cm) for zero clearance fit	5" (12.7 cm) (see note)	3" (7.6 cm)	48" (121.9 cm) non-combustible surface	

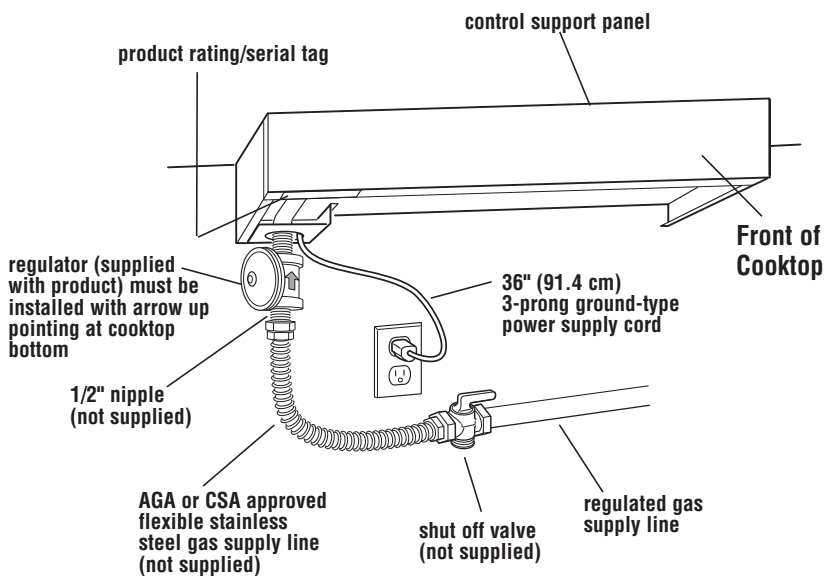
Note: This installation requires a 27" (68,6 cm) deep custom countertop.

# Gas and Electric Dimensions

# Gas supply requirements



**Gas and Electric Connection Locations**



**Typical Gas and Electric Connections**

## ⚠ WARNING



### Explosion Hazard

Use a new AGA or CSA approved gas supply line.

Install a shut-off valve.

Securely tighten all gas connections.

If connected to LP, have a qualified person make sure gas pressure does not exceed 14" water column.

Examples of a qualified person include licensed heating personnel, authorized gas company personnel, and authorized service personnel.

Failure to do so can result in death, explosion, or fire.

Observe all governing codes and ordinances.

**Important: Cooktop must be connected to a regulated gas supply.**

**A.** This installation must conform with local codes and ordinances. In the absence of local codes, installations must conform with American National Standard, National Fuel Gas Code ANSI Z223.1 — latest edition or CAN1 — B149.1 or 2\*.

**B.** Input ratings shown on the model/serial rating plate are for elevations up to 2,000 feet (610 m). For elevations above 2,000 feet (610 m), ratings are reduced at a rate of 4% for each 1,000 feet (305 m) above sea level.

**C.** The cooktop is equipped for use with NATURAL gas. It is design-certified by International Approval Services (I.A.S.) for NATURAL and L.P. gases with appropriate conversion. The model/serial rating plate, located on the underside of the burner box, has information on the type of gas that can be used. If this information does not agree with the type of gas available, check with the local gas supplier.

Copies of the standards listed may be obtained from:

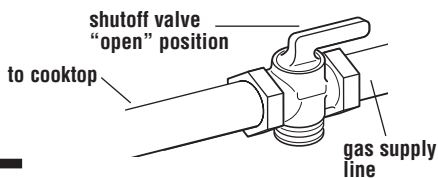
\* CSA International  
8501 East Pleasant Valley Rd.  
Cleveland, Ohio 44131-5575

## L.P. Gas:

No attempt shall be made to convert the cooktop from the gas specified on the model/serial rating plate for use with a different gas without consulting the serving gas supplier. Conversion must be done by a qualified service technician. To convert to L.P. gas, use L.P. gas conversion kit part no. 8284673. The parts for this kit are in the literature package supplied with cooktop.

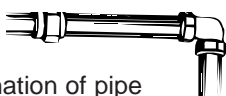
**D.** Provide a gas supply line of 3/4" rigid pipe to the cooktop location. A smaller size pipe on long runs may result in insufficient gas supply. Pipe-joint compounds, suitable for use with L.P. gas, must be used. With L.P. gas, piping or tubing size can be 1/2" minimum. L.P. gas suppliers usually determine the size and materials used on the system.

**E.** If local codes permit, use a flexible stainless steel tubing gas connector, design-certified by AGA or CSA International, to connect the cooktop to the rigid gas supply line. 5/8" diameter line is recommended. Do Not kink or damage the flexible connector when moving the cooktop. The pressure regulator has 1/2" female pipe threads. You will need to determine the fittings required, depending on the size of your gas supply line, flexible metal connector and shutoff valve.



**F.** The supply line shall be equipped with an approved shutoff valve. This valve should be located in the same room as the cooktop and should be in a location that allows ease of opening and closing. Do Not block access to the shutoff valve. The valve is for turning on or shutting off gas to the appliance.

**G.** If rigid pipe is used as a gas supply line, a combination of pipe fittings must be used to obtain an in-line connection to the cooktop. All strains must be removed from the supply and fuel lines so cooktop will be level and in line.



**H.** The regulator must be checked at a minimum 1-inch (2.5 cm) water column above the set pressure. The inlet pressure to the regulator should be as follows for operation and checking the regulator setting:

### NATURAL GAS:

**Set pressure 5 inches (12.7 cm) W.C.  
Supply pressure 7-14 inches (17.8 cm to 35.5 cm) W.C. maximum.**

### L.P. GAS:

**Minimum pressure 10 inches (25.4 cm) W.C.  
Supply pressure 14 inches (35.5 cm) W.C.**

### Line pressure testing:

**Testing above 1/2 psi (3.5 kPa) or 14 inches (35.5 cm) W.C. (gauge)**

The cooktop and its individual shutoff valve must be disconnected from the gas supply piping system during any pressure testing of that system at test pressures greater than 1/2 psig (3.5kPa).

**Testing below 1/2 psi (3.5 kPa) or 14 inches (35.5 cm) W.C. (gauge) or lower**

The cooktop must be isolated from the gas supply piping system by closing its individual manual shutoff valve during any pressure testing of the gas supply piping system at test pressures equal to or less than 1/2 psig (3.5 kPa).

## Electrical requirements

### ⚠ WARNING



**Electrical Shock Hazard**  
**Plug into a grounded 3-prong outlet.**  
**Do not remove ground prong.**  
**Do not use an adapter.**  
**Failure to follow these instructions can result in death, fire, or electrical shock.**

If codes permit and a separate ground wire is used, it is recommended that a qualified electrician determine that the ground path is adequate.

**Check with a qualified electrician if you are not sure whether the cooktop is properly grounded.**

**Do Not ground to a gas pipe.**

A 120-volt, 60-Hz, AC-only, 15-ampere, fused electrical supply is required. A time-delay fuse or circuit breaker is recommended. It is recommended that a separate circuit serving only this appliance be provided.

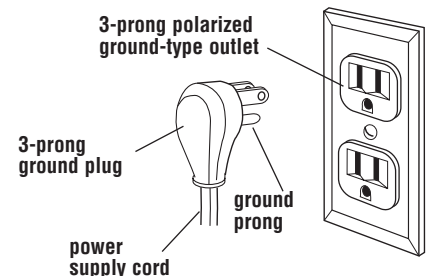
Electronic ignition systems operate within wide voltage limits, but proper ground and polarity are necessary. In addition to checking that the outlet provides 120-volt power and is correctly grounded, the outlet must be checked by a qualified electrician to see if it is wired with correct polarity. A wiring diagram is provided on the last page of these instructions.

**Important:** This cooktop is equipped with an electronic ignition system that will not operate if plugged into an outlet that is not properly polarized.

This appliance, when installed, must be electrically grounded in accordance with local codes or, in the absence of local codes, with the current CSA standard C22.1. Canadian Electrical Code Part 1\*.

### Recommended ground method

For your personal safety, this cooktop must be grounded. This cooktop is equipped with a 3-prong ground plug. To minimize possible shock hazard, the cord must be plugged into a mating 3-prong ground-type outlet, grounded in accordance with the National Electrical Code ANSI/NFPA 70 latest edition\*\* or Canadian Electrical Code (CSA)\* — and local codes and ordinances. If a mating outlet is not available, it is the personal responsibility and obligation of the customer to have a properly polarized and grounded, 3-prong outlet installed by a qualified electrician.



Copies of the standards listed above may be obtained from:

\* CSA International  
8501 East Pleasant Valley Rd.  
Cleveland, Ohio 44131-5575

\*\* National Fire Protection Association  
One Batterymarch Park  
Quincy, Massachusetts 02269

# Installation

**1.** Remove the top wood sheet from over the top of the cooktop.

**2.** Remove the shipping brackets and discard.

## ⚠ WARNING

### Excessive Weight Hazard

Use two or more people to move and install cooktop.

Failure to do so can result in back or other injury.

**3.** Carefully lift the cooktop up and set aside. Write down the model and serial numbers before installing the cooktop. Both numbers are on the model/serial number plate located on left front underside of the burner box.

**4.** Unpack the burner grates, burner caps, simmer plate, regulator, backguard and island trim packaged under the cooktop.

**5.** The pressure regulator and flexible, stainless steel gas supply line connector can be assembled to the cooktop now or after the cooktop is installed in the cutout. To assemble now, stand the cooktop on its side or back surface and complete this part of the pressure regulator/gas line connector assembly.

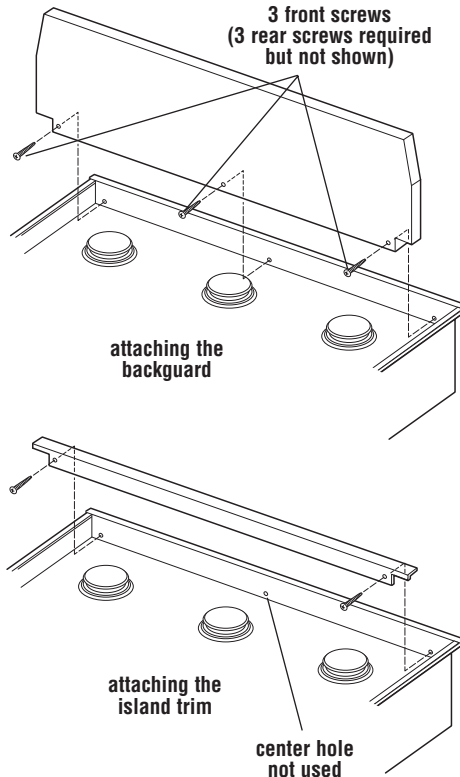
To connect the flexible, stainless steel connector to the pressure regulator requires a 1/2" nipple.

Install the pressure regulator with the arrow pointing up toward the bottom of the burner box and in a position where you can reach the regulator cap.

**IMPORTANT:** All connections must be wrench-tightened. Do not make connections to the gas regulator too tight. Making the connection too tight may crack the regulator and cause a gas leak. Do not allow the regulator to turn on the pipe when tightening fittings.

Use only pipe-joint compound made for use with Natural and L.P. gas. Do not use teflon tape. You will need to determine the fittings required depending on your installation.

**6.** Carefully lift and place the cooktop into the front area of the cutout. Be careful not to pinch the power supply cord or damage the pressure regulator/flexible gas supply line connector if installed. DO NOT place all the way back into cutout.

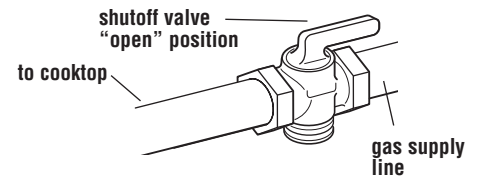


**7.** Attach the backguard or island trim as required for your installation. Attachment screws are in the literature package.

**8.** Place cooktop completely into cutout. Note: The cooktop must be level for best cooking performance.

**9.** If the pressure regulator and flexible, stainless steel gas supply were not assembled in Step 3, complete the assembly now. The pressure regulator MUST be installed with arrow on the regulator pointing up toward the burner box.

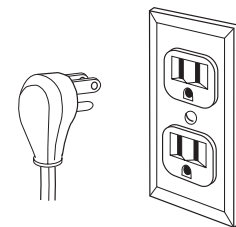
**10.** Connect flexible, stainless steel gas supply connector to the rigid gas supply line. Do not kink the connector. You will need to determine fittings required depending on your installation.



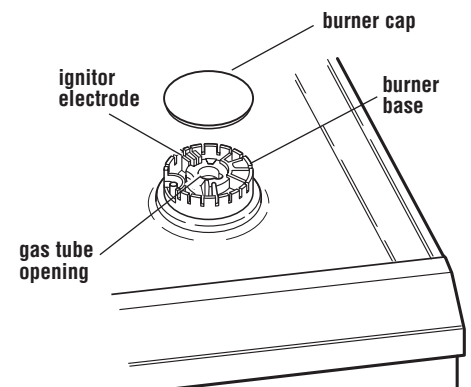
**11.** Open shutoff valve in the gas supply line. Wait a few minutes for gas to move through the gas line.

**12.** Leak testing of the appliance shall be conducted according to the following instructions:

Use a brush and liquid detergent to test all gas connections for leaks. Bubbles around connections will indicate a leak. If a leak appears, shut off gas valve controls and adjust connections. Then check connections again. **NEVER TEST FOR GAS LEAKS WITH A MATCH OR OTHER FLAME.** Clean all detergent solution from cooktop.



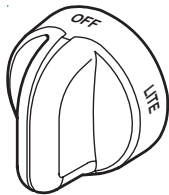
**13.** Plug power supply cord into grounded outlet.



**14.** Put burner caps on each burner base. Place burner grates over burner bases and caps.

## Electronic Ignition System — initial lighting

Cooktop burners use electronic igniters in place of standing pilots. When the cooktop control knob is pushed in and turned to the “LITE” position, the system creates a spark to light the burner. This sparking continues until the control knob is turned to the desired setting.



**15.** Check operation of the cooktop burners. Push in and turn each control knob to “LITE” position. The flame should light within 4 seconds. **Do Not leave the knob in the “LITE” position after burner lights.**

If burners do not light properly, turn control knob to the “OFF” position. Check that burner cap is in the proper position. Check that power supply cord is plugged in and that circuit breaker or house fuse has not blown. Check that the shutoff valve is in the “ON” position. Check operation again. If a burner does not light at this point, contact your KitchenAid dealer for assistance.

**16.** Push in and turn each control knob to the “LO” (or simmer) setting. The “LO” setting of each burner has been factory set to the lowest setting possible to provide a stable flame. If it does not stay lit on the “LO” setting, check “LO” setting as follows:

- Turn control to “LITE” until burner ignites.
- Quickly turn knob down to **LOWEST POSITION**.
- If burner goes out, readjust valve as follows:

Remove the burner control knob. Insert a flat-blade screwdriver into the hollow valve stem and engage the slotted screw. Flame size can be increased or decreased by turning the screw. Adjust flame until you can quickly turn knob from the “HI” to “LO” position without extinguishing the flame. Flame should be as small as possible without going out.

## Installer checkoff list:

### COOKTOP

- Cooktop correctly positioned in countertop cutout.
- Maintained specified distances to cabinet surfaces.
- Cooktop level – front to back – side to side.
- Burner caps positioned properly on sealed burner bases.
- All packing material removed.
- Backguard or island trim attached (see page 4).

### ELECTRICAL

- Polarized and grounded 120-volt, 60-Hz, AC, 15-amp fused electrical supply for power supply cord connection.

### GAS SUPPLY

- Connection: 1/2" NPT with a minimum 5/8" (15.9 mm) diameter flex line.
- The cooktop is connected only to type of gas for which it is certified for use.

## If cooktop does not operate:

- Check that the circuit breaker is not tripped or the house fuse blown.
- Check that the power supply cord is plugged into the outlet.
- Check that gas valves are turned to the “ON” position.
- See Use and Care Guide for troubleshooting list.

## If you need assistance:

The KitchenAid Consumer Assistance Center will answer any questions about operating or maintaining your cooktop not covered in the Installation Instructions. The KitchenAid Consumer Assistance Center is open 24 hours a day, 7 days a week. Just dial 1-800-422-1230 — the call is free within the continental United States, or visit our web site at [www.kitchenaid.com](http://www.kitchenaid.com).

When you call, you will need the cooktop model number and serial number. Both numbers can be found on the model/serial rating plate located on the bottom of the cooktop and are visible through the cutout in the left-hand back corner of the enclosure bottom.

## If you need service:

In the event that your KitchenAid appliance should need service, call the dealer from whom you purchased the appliance or a KitchenAid-designated service company. A KitchenAid-designated service company is listed in the Yellow Pages of your telephone directory under “Appliances — Household — Major — Service and Repair.”

You can also obtain the service company's name and number by dialing, free within the continental United States, the KitchenAid Consumer Assistance Center telephone number, 1-800-422-1230. A special operator will tell you the name of your nearest KitchenAid-designated service company.

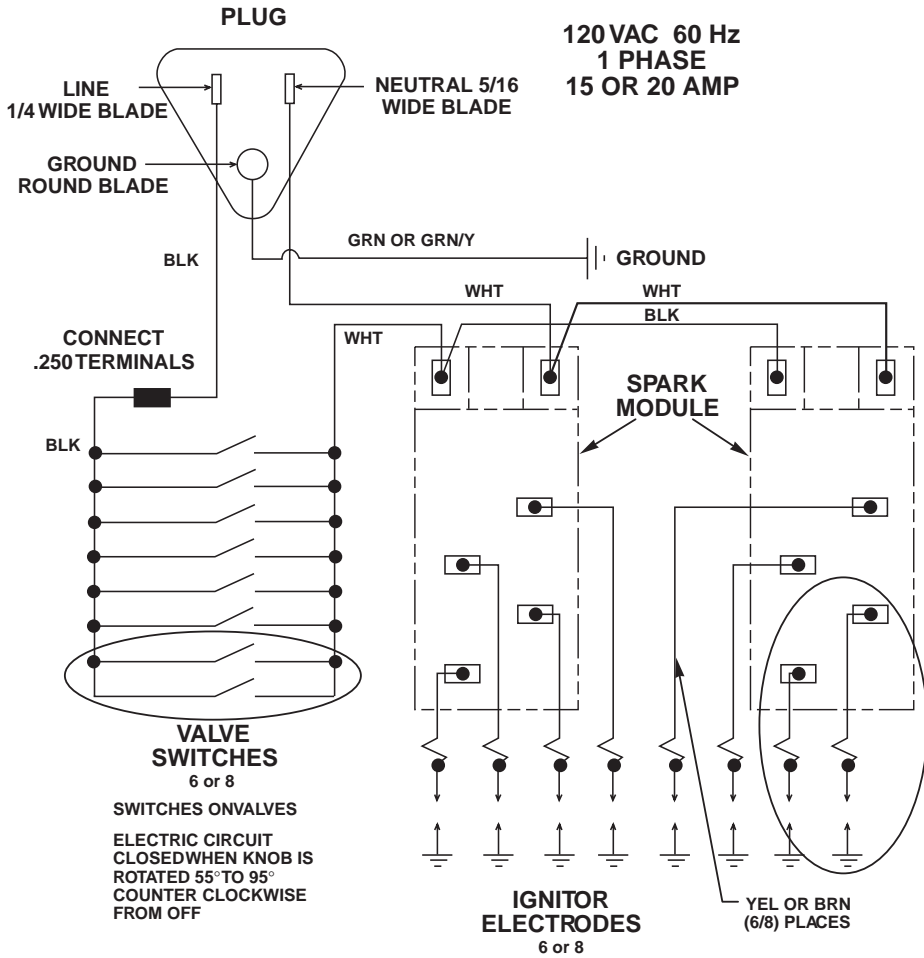
Maintain the quality built into your KitchenAid appliance — call a KitchenAid-designated service company.

## Maintenance

If removing the cooktop is necessary for maintenance, shut off gas supply. Disconnect the gas and electric supply. After disconnecting the gas and electric supply, finish removing the cooktop. Generally, the cooktop does not need to be removed for servicing.



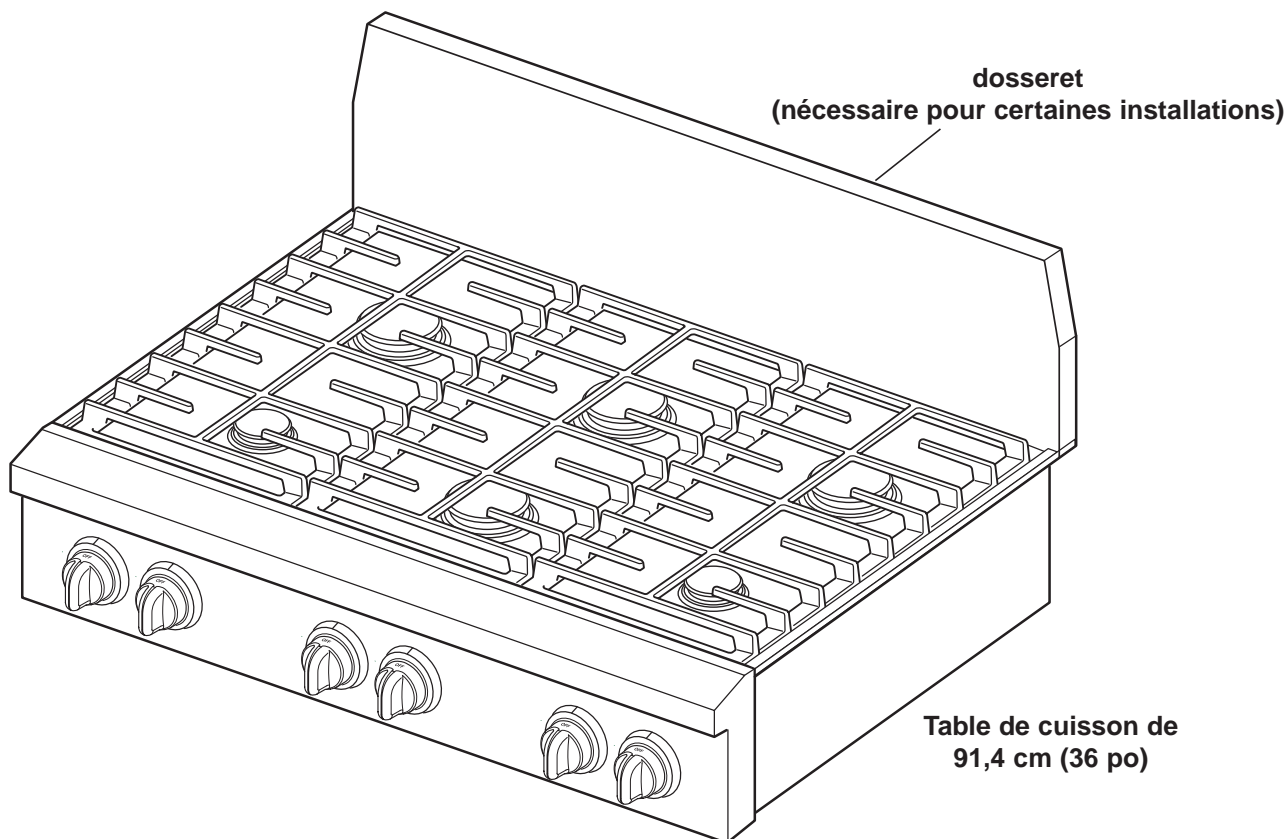
THE POWER CORD ON THIS APPLIANCE IS EQUIPPED WITH A THREE PRONGED (GROUNDING) PLUG WHICH MATES WITH STANDARD THREE PRONGED (GROUNDING) WALL RECEPTACLES



Caution: Label all wires prior to disconnection when servicing controls. Wiring errors can cause improper and dangerous operation. Verify proper operation after servicing.

# Instructions d'installation

**Table de cuisson à gaz professionnelle de  
91,4 cm (36 po) ou 121,9 cm (48 po)  
pour utilisation résidentielle seulement**



**KitchenAid**<sup>®</sup>  
BIEN PENSÉ, BIEN FABRIQUÉ<sup>®</sup>

Pour toute question concernant caractéristiques, utilisation, performance, pièces ou service, téléphoner au 1-800-422-1230 ou consulter notre site Internet à l'adresse [www.kitchenaid.com](http://www.kitchenaid.com)

## **IMPORTANT** Lire et conserver ces instructions.

### **IMPORTANT :**

**Installateur :** Remettre les instructions d'installation au propriétaire.

**Propriétaire :** Conserver les instructions d'installation pour consultation ultérieure. Conserver les instructions d'installation pour consultation par l'inspecteur local des installations électriques.

Inscrire ci-dessous les numéros de modèle et de série avant d'installer la table de cuisson.

On trouve cette information sur la plaque signalétique, sur la surface interne du coffret des brûleurs.

N° de modèle \_\_\_\_\_

N° de série \_\_\_\_\_

N° de pièce 8284670

# Avant de commencer

## Votre sécurité et celle des autres est très importante.

Nous donnons de nombreux messages de sécurité importants dans ce manuel, et sur votre appareil ménager. Assurez-vous de toujours lire tous les messages de sécurité et de vous y conformer.



Voici le symbole d'alerte de sécurité.

Ce symbole d'alerte de sécurité vous signale les dangers potentiels de décès et de blessures graves à vous et à d'autres.

Tous les messages de sécurité suivront le symbole d'alerte de sécurité et le mot «DANGER» ou «AVERTISSEMENT». Ces mots signifient :

## DANGER

Risque possible de décès ou de blessure grave si vous ne suivez pas immédiatement les instructions.

## AVERTISSEMENT

Risque possible de décès ou de blessure grave si vous ne suivez pas les instructions.

Tous les messages de sécurité vous diront quel est le danger potentiel et vous disent comment réduire le risque de blessure et ce qui peut se produire en cas de non-respect des instructions.

**Important : Observer les dispositions de tous les codes et règlements en vigueur.**

**AVERTISSEMENT : Si les instructions dans ce manuel ne sont pas suivies, un incendie ou une explosion peut causer des dommages aux biens, une blessure ou un décès.**

- Ne pas remiser ou utiliser d'essence ou un autre produit liquide ou gazeux inflammable à proximité de cet appareil ou de tout autre appareil électroménager.
- QUE FAIRE SI UNE ODEUR DE GAZ EST PERCEPTIBLE?
  - Ne pas essayer de mettre un appareil en marche.
  - Ne toucher aucun commutateur électrique.
  - N'utiliser aucun téléphone de l'édifice.
  - Contacter immédiatement le fournisseur de gaz depuis le téléphone d'un voisin. Exécuter les instructions du fournisseur.
  - Si le fournisseur de gaz n'est pas accessible, appeler les pompiers.
- L'installation et les travaux de service doivent être effectués par un électricien qualifié, par une agence de service ou par le fournisseur de gaz.

**Remarque :** Cette table de cuisson est conçue pour l'alimentation au gaz naturel. Pour la conversion pour l'alimentation au gaz propane, voir les instructions de conversion présentées dans les documents qui accompagnent le produit.

**Un raccord de connexion à la canalisation d'arrivée de gaz** doit être disponible. Voir «Spécifications de l'alimentation en gaz» à la page 5.

La responsabilité de la **qualité de l'installation** incombe au propriétaire. Demander à un technicien qualifié d'exécuter l'installation.

Vérifier que tout le matériel nécessaire pour une installation correcte est disponible. C'est à l'installateur qu'incombe la responsabilité de respecter les dégagements de séparation spécifiés sur la plaque signalétique. On trouve la plaque signalétique sur la face inférieure du coffret des brûleurs.

On recommande qu'une hotte d'extraction soit installée au-dessus de la table de cuisson. Pour l'installation sur un îlot, on recommande une hotte de 122 cm (48 po).

**Inspecter l'emplacement** où la table de cuisson sera installée. L'emplacement d'installation devrait être situé à distance de toute source de courants d'air intenses, comme fenêtre, porte, bouche de chauffage ou ventilateur.

Ne pas entraver la circulation d'air de combustion et d'air de ventilation.

Toutes les ouvertures découpées dans le mur ou dans le plancher au voisinage de l'endroit où la table de cuisson sera installée doivent être scellées.

**Une liaison électrique à la terre** est nécessaire. Voir «Spécifications de l'installation électrique.»

**C'est au client qu'incombe la responsabilité :**

- de contacter un électricien qualifié pour l'installation.
- de s'assurer que l'installation électrique est adéquate et conforme aux dispositions du Code national des installations électriques ANSI/NFPA 70 – dernière édition\*, ou du Code canadien des installations électriques C22.1-1982 et C22.2 n° 01982 (ou dernière édition)\*\*, et aux dispositions des codes et règlements locaux.

On peut se procurer des exemplaires des normes indiquées aux adresses suivantes :

\*National Fire Protection Association  
One Batterymarch Park  
Quincy, Massachusetts 02269

\*\* CSA International  
8501 East Pleasant Valley Rd.  
Cleveland, Ohio 44131-5575

# Dimensions du produit

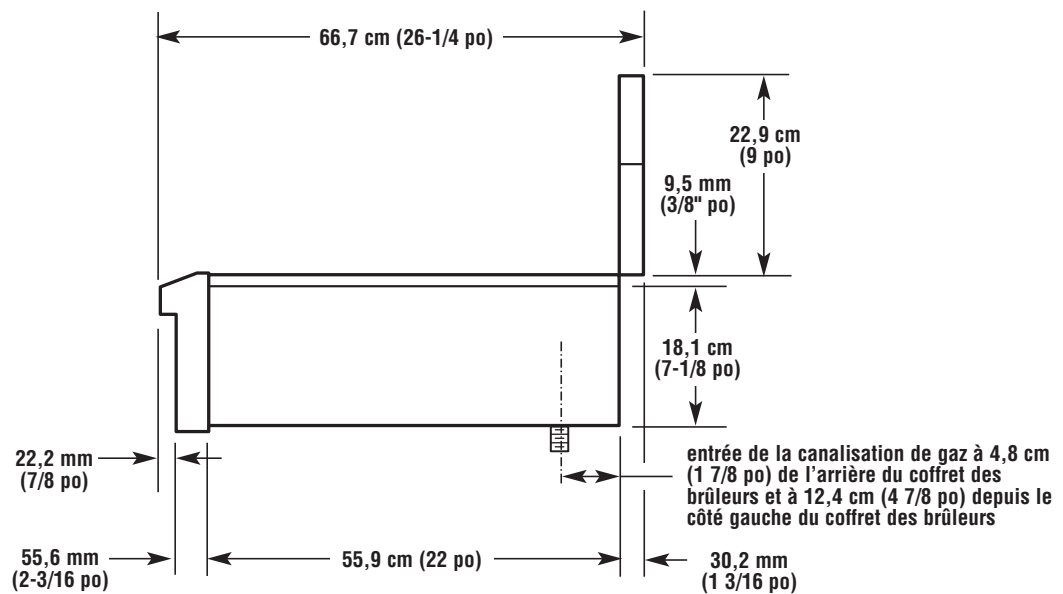
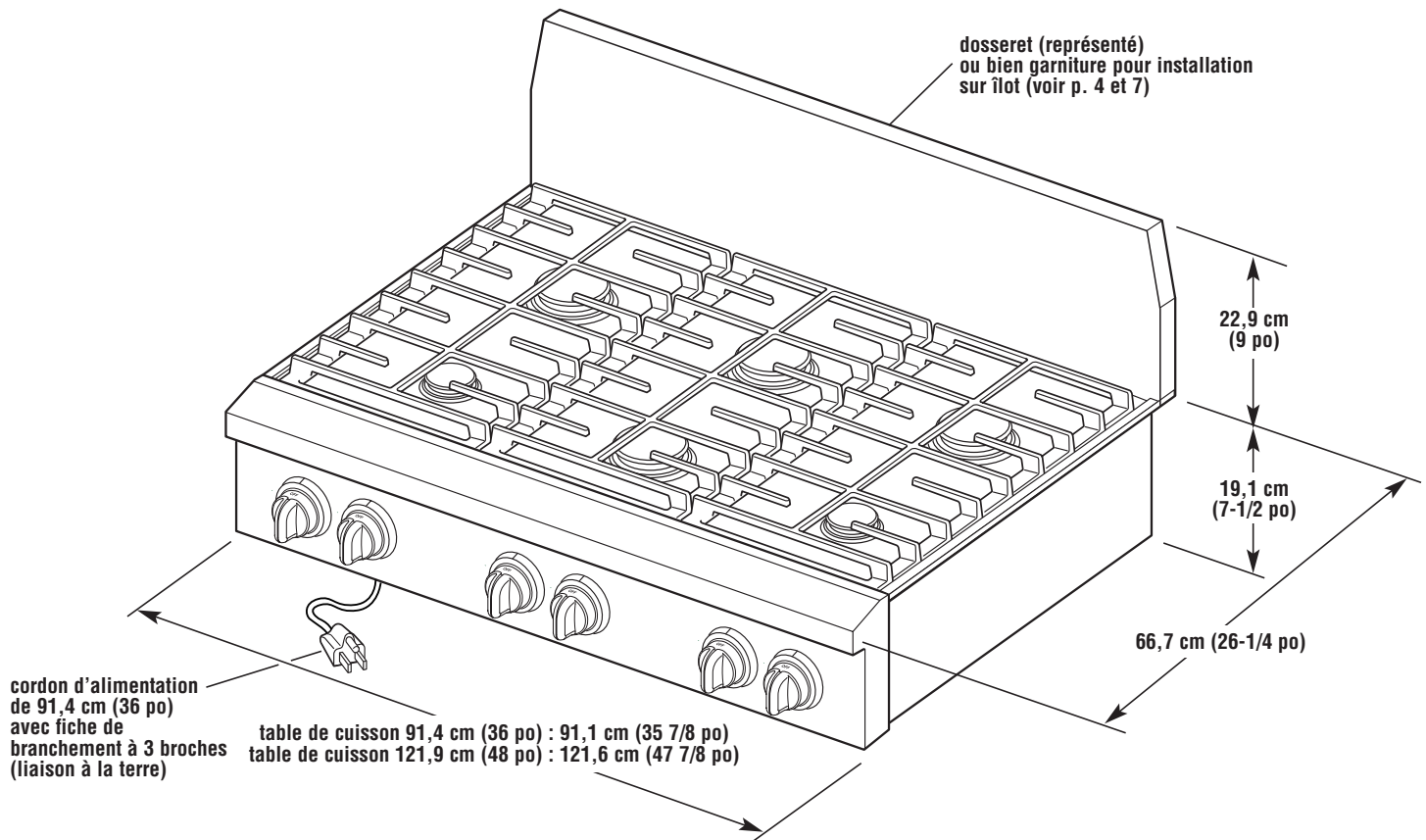


table de cuisson (vue latérale)

Respecter les dimensions indiquées pour l'ouverture à découper et les distances de séparation. Les dimensions indiquées tiennent compte des dégagements de sécurité nécessaires.

### Installation dans une résidence mobile :

L'installation de cette table de cuisson doit satisfaire les critères de la norme Manufactured Home Construction and Safety Standards, titre 24 CFR, partie 3280 (anciennement norme fédérale pour construction et sécurité des résidences mobiles, titre 24 HUD partie 280); ou si cette norme n'est pas applicable, l'installation doit satisfaire les prescriptions de la norme d'installation des résidences préfabriquées (Manufactured Home Sites, Communities and Setups), ANSI A225.1 – dernière édition\*, ou les prescriptions des codes locaux.

Au Canada, l'installation de cette table de cuisson doit satisfaire les critères de la norme CAN/ACNOR-Z240 (dernière édition\*\*) ou des codes locaux en vigueur.

La table de cuisson est conçue pour qu'elle soit soutenue sur le plan de travail par les rebords des côtés et de l'arrière.

Les arrivées de gaz et d'électricité devraient être placées selon les indications de l'illustration de la page 5 « Dimensions - arrivées de gaz et d'électricité », pour que l'accès à ces points de connexion soit possible sans dépose de la table de cuisson.

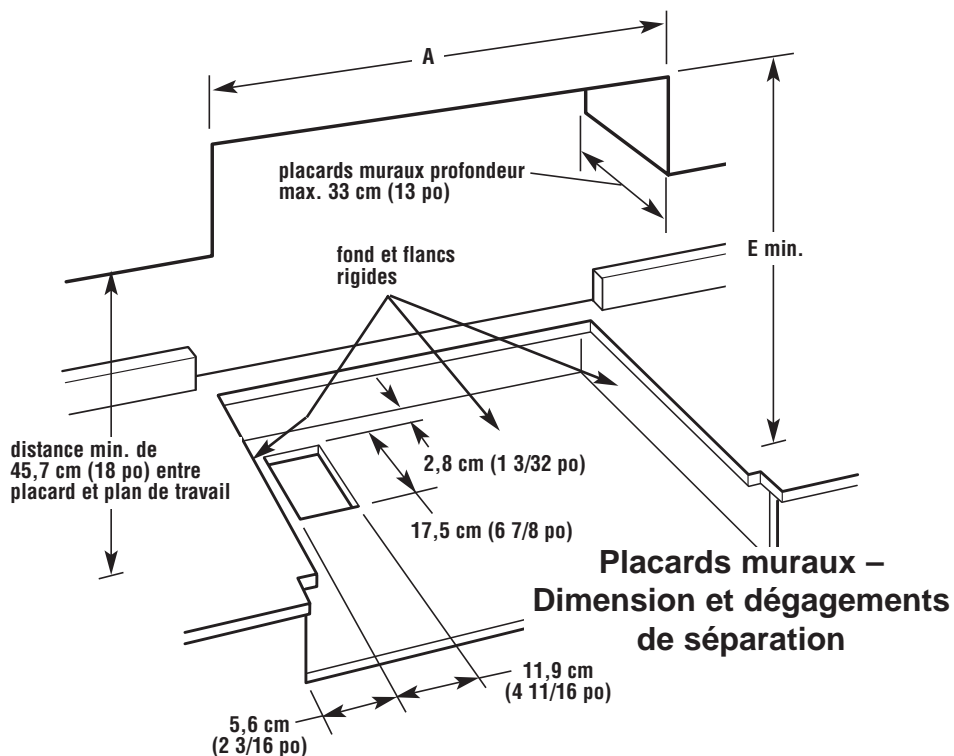
Prévoir une ouverture découpée de 11,9 x 17,5 cm (4 11/16 x 6 7/8 po) dans l'angle arrière gauche de la cavité d'encastrement pour le passage de l'arrivée de gaz et du cordon d'alimentation électrique, et pour que la plaque signalétique soit visible.

On peut se procurer des exemplaires des normes indiquées aux adresses suivantes :

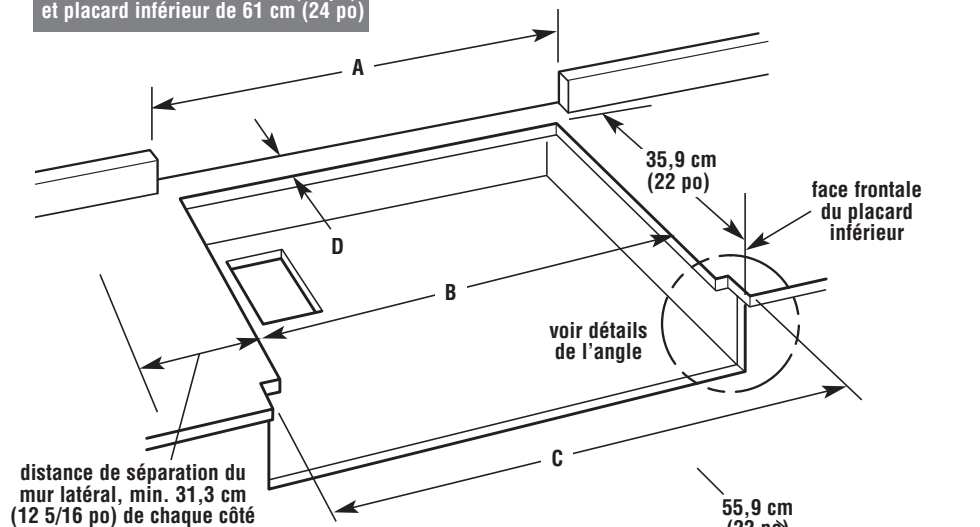
\*National Fire Protection Association  
One Batterymarch Park  
Quincy, Massachusetts 02269

\*\* CSA International  
8501 East Pleasant Valley Rd.  
Cleveland, Ohio 44131-5575

# Dimensions - placard et ouverture à découper



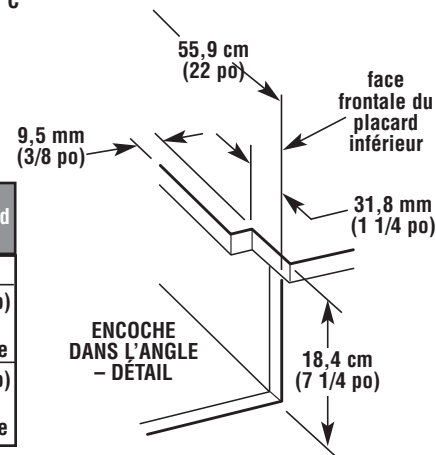
Dimensions indiquées pour table de cuisson de 63,5 cm (25 po) et placard inférieur de 61 cm (24 po)



## Dimensions de l'ouverture à découper

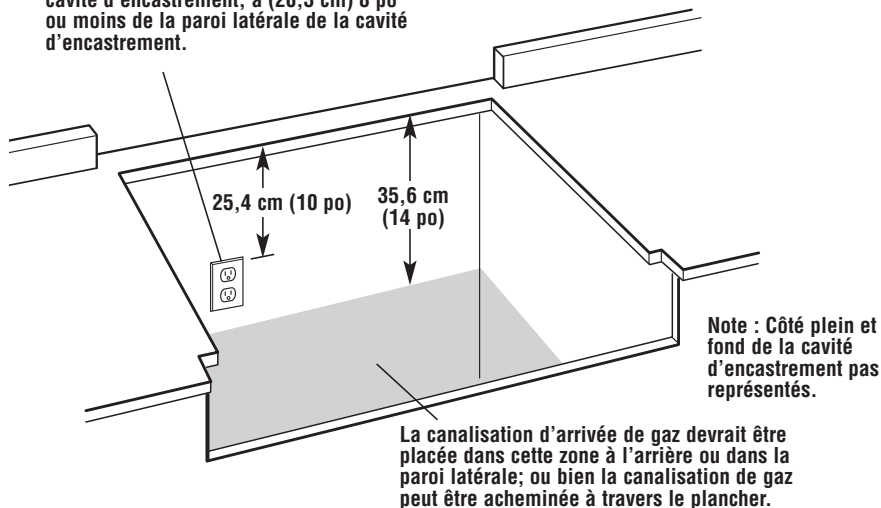
table de cuisson	A	B	C	D	E minimum
91,4 cm (36 po)	91,4 cm (36 po)	89,5 cm (35 1/4 po)	91,4 cm (36 po) : 91,1 cm (35 7/8") pour installation avec dégagement nul	garniture de l'ilôt - 5,1 cm (2 po) dosseret - 7,6 cm (3 po)	121,9 cm (48 po) surface non combustible
121,9 cm (48 po)	121,9 cm (48 po)	120,0 cm (47 1/4 po)	121,9 cm (48 po) : 121,6 cm (47 7/8 po) pour installation avec dégagement nul	garniture de l'ilôt - 12,7 cm (5 po) dosseret - 7,6 cm (3 po)	121,9 cm (48 po) surface non combustible

Remarque : Cette installation nécessite une surface de comptoir personnalisée de 68,6 cm (27 po) de profondeur.

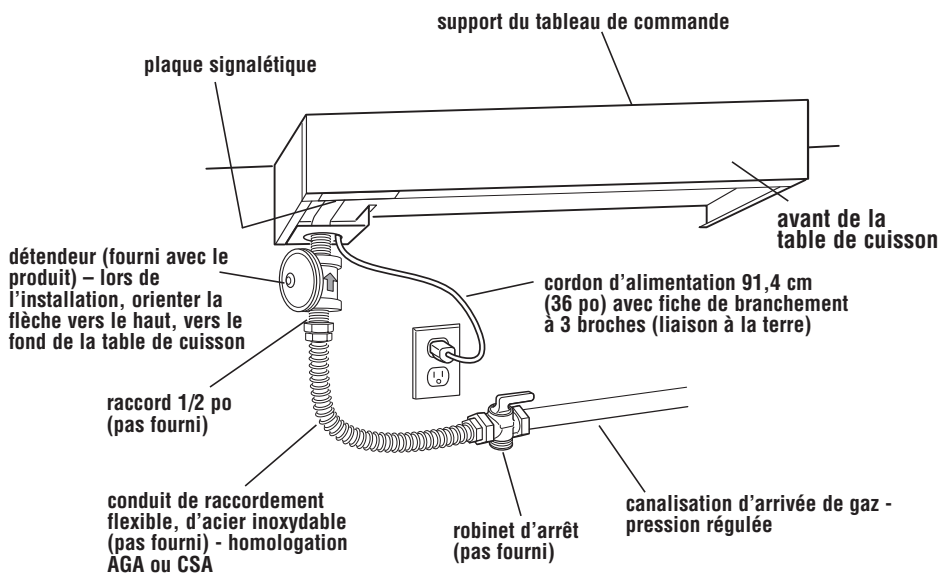


# Dimensions – Arrivées de gaz et d'électricité

Placer la prise de courant (3 alvéoles, reliée à la terre) sur le côté gauche de la cavité d'encastrement, à (20,3 cm) 8 po ou moins de la paroi latérale de la cavité d'encastrement.



## Raccordement aux canalisations de gaz et de l'électricité



## Raccordements typiques aux circuits de gaz et de l'électricité

On peut se procurer des exemplaires des normes indiquées aux adresses suivantes :

\* **CSA International**  
8501 East Pleasant Valley Rd.  
Cleveland, Ohio 44131-5575

# Spécifications de l'alimentation en gaz

## ⚠ AVERTISSEMENT



### Risque d'explosion

Utiliser un conduit de raccordement à la canalisation de gaz approuvé par AGA ou CSA.

Installer un robinet d'arrêt.

Bien serrer tous les joints des raccords du circuit de gaz.

Si l'appareil est relié à une canalisation de gaz propane, demander à une personne qualifiée de vérifier que la pression de gaz ne dépasse pas 14 po (colonne d'eau).

(Personnes qualifiées = personnel compétent d'un fournisseur d'équipement de chauffage, d'une compagnie de distribution de gaz, ou d'une entreprise d'entretien agréée).

Le non-respect de ces instructions peut causer un décès, une explosion ou un incendie.

Observer les dispositions de tous les codes et règlements en vigueur.

Important : La table de cuisson doit être connectée à une source de gaz à pression régulée.

**A.** L'installation réalisée selon ces instructions doit être conforme aux dispositions des codes et règlements locaux. En l'absence d'un code local, l'installation doit être conforme aux dispositions de la norme American National Standard, National Fuel Gas Code ANZI Z223.1 – dernière édition ou de la norme CANI-B149. 1 ou 2\*.

**B.** La capacité thermique indiquée sur la plaque signalétique correspond à une altitude inférieure à 610 m (2 000 pi). Pour une altitude supérieure à 610 m (2 000 pi), réduire la capacité thermique à raison de 4% pour chaque tranche de 305 m (1 000 pi) au-dessus du niveau de la mer.

**C.** Cette table de cuisson est équipée pour l'alimentation au gaz NATUREL. Sa conception est homologuée par International Approval Services (I.A.S.) pour l'alimentation au gaz NATUREL ou au propane (avec conversion appropriée). La plaque signalétique, située sur la face inférieure du coffret des brûleurs, mentionne le type de combustible utilisable. Si cette information ne concorde pas avec le type de gaz disponible, consulter le fournisseur de gaz local.

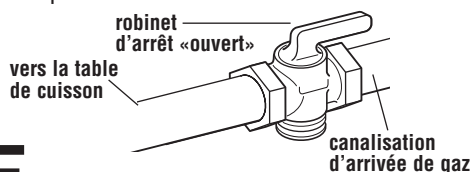
## Propane :

Ne jamais tenter sans avoir d'abord consulté le fournisseur de gaz de modifier la table de cuisson pour l'alimentation avec un autre gaz que celui spécifié sur la plaque signalétique. Toute conversion doit être exécutée par un technicien qualifié. Pour la conversion pour l'alimentation au propane, utiliser l'ensemble de conversion n° 8284673. Ces pièces accompagnent les documents fournis avec la table de cuisson.

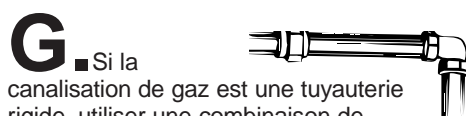
**D.** Installer une canalisation de gaz rigide de 1,9 cm (3/4 po) jusqu'à l'emplacement de la table de cuisson. L'emploi d'une canalisation de diamètre inférieur sur une grande distance peut rendre le débit de gaz insuffisant. Utiliser un composé d'étanchéité des jointures conçu pour l'utilisation en présence de propane. Pour l'alimentation au propane, utiliser une canalisation de diamètre d'au moins 1/2 po. Habituellement le fournisseur de propane détermine la taille des canalisations à utiliser avec le système.



**E.** Si les codes ou les règlements locaux le permettent, on recommande l'emploi d'un conduit de raccordement métallique flexible (homologation AGA ou CSA International) pour le raccordement de la table de cuisson à la canalisation de gaz. On recommande une canalisation de diamètre 5/8 po. Veiller à ne pas déformer ou endommager le conduit flexible lors des déplacements de la table de cuisson. Le détendeur comporte un filetage femelle de 1/2 po. On devra déterminer quels raccords sont nécessaires, selon la taille de la canalisation de gaz et les caractéristiques du robinet d'arrêt et du conduit de raccordement métallique flexible.



**F.** La canalisation d'arrivée de gaz devra comporter un robinet d'arrêt homologué. Ce robinet d'arrêt devrait être situé dans la même pièce que la table de cuisson, à un emplacement permettant un accès aisé pour les manoeuvres d'ouverture et de fermeture. Ne pas entraver l'accès au robinet d'arrêt; celui-ci est utilisé pour ouvrir et interrompre l'alimentation en gaz de l'appareil.



**G.** Si la canalisation de gaz est une tuyauterie rigide, utiliser une combinaison de raccords de tuyauterie pour réaliser un raccordement dans l'alignement de la table de cuisson. Toute tension mécanique doit être éliminée de la canalisation de gaz, de manière que la table de cuisson demeure horizontale et alignée.

**H.** Contrôler le fonctionnement du détendeur à une pression d'au moins 2,5 cm (1 po) (colonne d'eau) au-dessus de la pression nominale. La pression à l'entrée du détendeur en service devrait être comme suit :

**GAZ NATUREL :**  
**Pression de réglage de 12,7 cm (5 po) (colonne d'eau)**  
**Pression d'alimentation maximale de 17,8 cm à 35,5 cm (de 7 à 14 po)**

**GAZ PROPANE :**  
**Pression minimum de 25,4 cm (10 po) (colonne d'eau)**  
**Pression d'alimentation maximale de 35,5 cm (14 po)**

**I.** Test sous pression relative supérieure à 3,5 kPa (1/2 lb/po<sup>2</sup>) - 35,5 cm (14 po) (colonne d'eau)  
La table de cuisson et le robinet d'arrêt individuel doivent être déconnectés de la canalisation de gaz au cours des tests du circuit d'alimentation à une pression relative supérieure à 3,5 kPa (1/2 lb/po<sup>2</sup>)

**Test sous pression relative de 3,5 kPa (1/2 lb/po<sup>2</sup>) - 35,5 cm (14 po) (colonne d'eau) - ou moins**  
La table de cuisson doit être isolée de la canalisation de gaz par fermeture du robinet d'arrêt individuel au cours des tests du circuit d'alimentation sous une pression égale ou inférieure à 3,5 kPa (1/2 lb/po<sup>2</sup>).

## Spécifications de l'installation électrique

### ⚠ AVERTISSEMENT



**Brancher l'appareil dans une prise de courant à trois alvéoles reliée à la terre.**  
**Ne pas enlever la broche de liaison à la terre.**  
**Ne pas utiliser un adaptateur.**  
**Le non-respect de ces instructions peut causer un décès, un incendie ou un choc électrique.**

**Si lorsque les codes le permettent un conducteur distinct de liaison à la terre est utilisé, il est recommandé qu'un électricien qualifié vérifie la qualité de la liaison à la terre.**

**Consulter un électricien qualifié en cas de doute au sujet de la liaison à la terre de la table de cuisson.**

**Ne jamais utiliser une canalisation de gaz pour la liaison électrique à la terre.**

L'appareil doit être alimenté par un circuit électrique 120 V (CA seulement), 60 Hz, 15 ou 20 A, protégé par un fusible. On recommande l'emploi d'un fusible temporisé ou d'un disjoncteur. On recommande que cet appareil soit alimenté par un circuit indépendant, n'alimentant que cet appareil.

Le système d'allumage électronique fonctionne dans une fourchette de tensions assez large, mais il faut que l'appareil soit convenablement relié à la terre et que la polarité soit respectée. Vérifier que la prise de courant électrique est correctement reliée à la terre et fournit une tension de 120 V. Demander également à un électricien qualifié de vérifier que la polarité de la prise de courant est correcte. Un schéma de câblage est présenté à la dernière page de cette brochure d'instructions.

**Important :** Cette table de cuisson est dotée d'un système d'allumage électronique qui ne fonctionnera pas si elle est branchée sur une prise de courant incorrectement polarisée.

Lorsqu'il est installé, cet appareil doit être électriquement relié à la terre conformément aux dispositions des codes locaux ou, en l'absence de codes locaux, conformément aux dispositions de la norme courante CSA C22.1 (Code canadien de l'électricité, 1<sup>re</sup> partie).

### Méthode recommandée de liaison à la terre

Pour la sécurité des utilisateurs, cet appareil doit être relié à la terre. Cet appareil est équipé d'un cordon d'alimentation doté d'une fiche de branchement à 3 broches, pour liaison à la terre. Pour minimiser le risque de choc électrique, le cordon doit être branché sur une prise de courant murale correspondante, à 3 alvéoles, reliée à la terre, conformément aux dispositions de l'édition la plus récente du Code national des installations électriques ANSI/NFPA 70\*\* ou du Code canadien des installations électriques (ACNOR)\*, et des codes et règlements locaux en vigueur. Si une prise de courant compatible avec la fiche n'est pas disponible, c'est au propriétaire de l'appareil qu'incombe la responsabilité et l'obligation personnelles de faire installer par un électricien qualifié une prise de courant à 3 alvéoles correctement reliée à la terre.

On peut se procurer des exemplaires des normes indiquées aux adresses suivantes :

\* **CSA International**  
8501 East Pleasant Valley Rd.  
Cleveland, Ohio 44131-5575

\*\* **National Fire Protection Association**  
One Batterymarch Park  
Quincy, Massachusetts 02269

# Installation

**1.** Ôter la feuille de bois recouvrant la table de cuisson.

**2.** Ôter les cornières d'expédition et les mettre au rebut.

## ⚠ AVERTISSEMENT

### Danger - Poids excessif

Deux personnes ou plus doivent participer aux manutentions lors de l'installation de la table de cuisson.

Le non-respect de cette instruction peut susciter une blessure au dos ou d'autres blessures.

**3.** Soulever prudemment la table de cuisson et la mettre de côté. Inscrive les numéros de modèle et de série avant d'installer la table de cuisson. Les deux numéros se trouvent sur la plaque signalétique se trouvant sur la face inférieure avant gauche du coffret des brûleurs.

**4.** Déballer les accessoires - grilles de brûleur, chapeaux de brûleur, plaque de mijotage, détendeur, dossier et garniture (pour îlot) - qu'on trouve sous la table de cuisson.

**5.** Il est possible de connecter le détendeur et le conduit de raccordement flexible d'acier inoxydable dès maintenant, ou après l'installation de la table de cuisson dans la cavité d'encastrement. Pour effectuer immédiatement ce raccordement, placer la table de cuisson en appui sur le côté ou l'arrière, et connecter le détendeur.

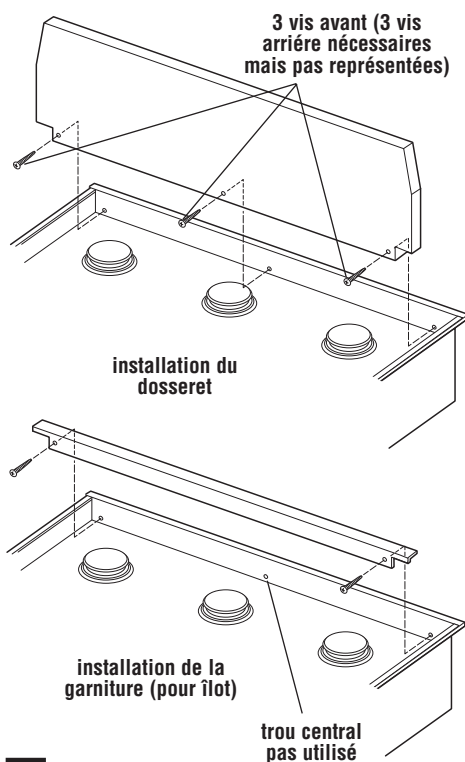
Un raccord de 1/2 po est nécessaire pour la connexion entre le conduit flexible d'acier inoxydable et le détendeur.

Lors de l'installation du détendeur, orienter la flèche vers le haut, vers le fond du coffret des brûleurs, et orienter le détendeur de telle manière qu'il soit possible d'atteindre facilement le bouton de réglage.

**IMPORTANT :** Serrer chaque connexion avec une clé, mais ne pas serrer excessivement le raccord dans le détendeur; ceci pourrait provoquer une fissuration du détendeur, suscitant une fuite. Lors du serrage des raccords, veiller à ce que le détendeur ne pivote pas par rapport au tuyau.

Utiliser uniquement un composé d'étanchéité pour jointures compatible avec le gaz naturel et le propane. Ne pas utiliser du ruban de téflon. Il sera nécessaire de déterminer quels raccords utiliser, selon la configuration d'installation.

**6.** Soulever prudemment la table de cuisson pour la placer dans la partie avant de la cavité d'encastrement. Veiller à ne pas coincer le cordon d'alimentation et à ne pas endommager le détendeur et le conduit de raccordement flexible. Ne pas pousser la table de cuisson complètement vers le fond de la cavité d'encastrement.

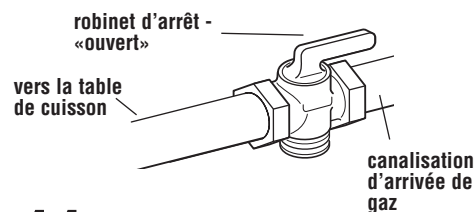


**7.** Fixer le dossier ou la garniture pour îlot, selon la configuration d'installation. Les vis de fixation se trouvent dans le sachet de documentation.

**8.** Pousser complètement la table de cuisson dans la cavité d'encastrement. Note : Pour qu'elle produise la meilleure performance de cuisson, il faut que la table de cuisson soit d'aplomb.

**9.** Si le détendeur et le conduit de raccordement flexible d'acier inoxydable n'ont pas été installés à l'étape 3, effectuer maintenant cette installation. Veiller à orienter la flèche du détendeur vers le haut, vers le coffret des brûleurs.

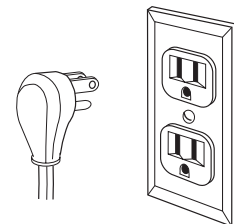
**10.** Connecter le conduit de raccordement flexible d'acier inoxydable sur la canalisation d'arrivée de gaz rigide. Ne pas déformer le conduit de raccordement flexible. Il sera nécessaire de déterminer quels raccords utiliser, selon la configuration d'installation.



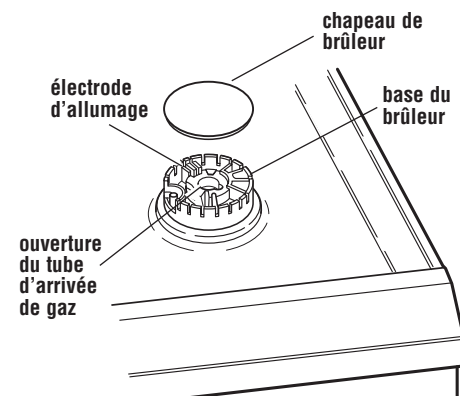
**11.** Ouvrir le robinet d'arrêt de la canalisation de gaz. Attendre pendant quelques minutes que le gaz remplisse la canalisation.

**12.** Exécuter un test de recherche des fuites conformément aux instructions ci-dessous.

Pour rechercher les fuites au niveau des connexions de la canalisation de gaz, utiliser un pinceau et du détergent liquide. La formation de bulles au voisinage d'une connexion indique la présence d'une fuite. En cas de fuite, fermer le robinet d'arrêt et le robinet de commande, et resserrer les connexions. Inspecter de nouveau pour rechercher des fuites. **NE JAMAIS RECHERCHER DES FUITES À L'AIDE D'UNE ALLUMETTE OU D'UNE FLAMME QUELCONQUE.** Nettoyer pour enlever tous les résidus de détergent.



**13.** Brancher le cordon d'alimentation sur une prise de courant reliée à la terre.

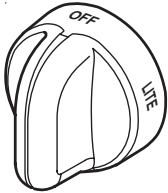


**14.** Placer le chapeau de brûleur sur chaque base de brûleur. Placer la grille de brûleur sur chaque brûleur.



## Système d'allumage électronique - allumage initial

Les brûleurs de la table de cuisson comportent un dispositif d'allumage électronique au lieu d'une flamme de veille. Lorsque le bouton de commande d'un brûleur est à la position «LITE», le système génère des étincelles qui provoquent l'inflammation du gaz qui sort du brûleur. Cette production d'étincelles se poursuit jusqu'à ce que le bouton de réglage soit placé à la position de réglage désirée.



**15.** Vérifier le fonctionnement des brûleurs de la table de cuisson. Appuyer successivement sur le bouton de commande de chaque brûleur et faire tourner le bouton jusqu'à la position «LITE». Le brûleur devrait s'allumer en moins de 4 secondes. **Ne pas laisser le bouton à la position «LITE» une fois le brûleur allumé.**

Si le brûleur ne s'allume pas correctement, ramener le bouton à la position d'arrêt «OFF». Vérifier que le chapeau du brûleur est convenablement placé. Vérifier que le cordon d'alimentation électrique est bien branché et que la prise de courant est bien alimentée (fusible grillé, disjoncteur ouvert?). Vérifier que le robinet d'arrêt est ouvert (position «ON»). Contrôler de nouveau le fonctionnement. Si le brûleur ne s'allume pas, contacter le marchand KitchenAid pour obtenir de l'aide.

**16.** Successivement pour chaque brûleur, enfoncer le bouton de commande et le placer à la position de mijotage «LO». Du fait du réglage effectué à l'usine, la position «LO» correspond à la puissance de chauffage minimale permettant un réallumage fiable du brûleur. Si le brûleur ne reste pas allumé au réglage «LO», vérifier le réglage «LO» comme suit :

- Placer le bouton à la position «LITE» jusqu'à ce que le brûleur s'allume.
- Amener rapidement le bouton à la position de réglage LA PLUS BASSE.
- Si le brûleur s'éteint, modifier le réglage du robinet comme suit :

Retirer le bouton de commande du brûleur. Introduire un tournevis à lame plate dans la tige creuse du robinet et l'engager dans la fente de la vis à l'intérieur. Il est possible d'augmenter ou de réduire la taille de la flamme par rotation de la vis. Régler la flamme jusqu'à ce qu'il soit possible de faire passer le bouton de la position «LITE» à la position de réglage LA PLUS BASSE. sans éteindre la flamme. La flamme devrait être la plus petite possible sans qu'elle s'éteigne.

## Liste de contrôle de l'installateur :

### TABLE DE CUISSON

- Table de cuisson correctement placée dans la cavité d'encastrement.
- Respect des distances de séparation spécifiées entre les surfaces.
- Aplomb de la table de cuisson – avant/arrière et transversalement.
- Chapeau de brûleur correctement placé sur la base de chaque brûleur scellé.
- Tous les matériaux d'emballage enlevés.
- Dossieret installé (si la distance de séparation des matériaux combustibles du mur à l'arrière de la table de cuisson est inférieure à 25,4 mm (1 po).

### INSTALLATION ÉLECTRIQUE

- Pour le branchement de l'appareil - Prise de courant 120 V CA, 60 Hz convenablement polarisée et reliée à la terre, alimentée par un circuit protégé par un fusible de 15 A.

### ARRIVÉE DE GAZ

- Connexion : 1/2 po NPT, avec conduit flexible de diamètre 15,9 mm (5/8 po).
- Table de cuisson alimentée par le type de gaz pour lequel elle est homologuée.

## Si la table de cuisson ne fonctionne pas :

- Fusible grillé ou disjoncteur ouvert?
- Cordon d'alimentation correctement branché sur la prise de courant?
- Robinet de gaz ouvert (position « ON »)?
- Consulter le guide d'utilisation et d'entretien – section de dépannage.

## Si une assistance est nécessaire :

Le personnel du Centre d'assistance à la clientèle de KitchenAid peut répondre à toute question concernant l'utilisation et l'entretien de la table de cuisson dont la réponse ne figurerait pas dans les instructions d'installation. Le Centre d'assistance à la clientèle de KitchenAid est accessible 24 heures par jour, 7 jours par semaine. Il suffit de composer le 1-800-422-1230 – la communication est gratuite dans tous les états continentaux des États-Unis; on peut également consulter le site Internet de KitchenAid à l'adresse [www.kitchenaid.com](http://www.kitchenaid.com).

Lors de la prise de contact, le client doit communiquer le numéro de modèle et le numéro de série de la table de cuisson. Ces numéros figurent sur la plaque signalétique, située sur le fond de la table de cuisson; cette plaque signalétique est visible à travers l'ouverture découpée dans l'angle arrière gauche au fond de la cavité d'encastrement.

## Si vous avez besoin de services de réparation :

Advenant que des réparations soient nécessaires sur cet appareil ménager KitchenAid, contacter le marchand chez lequel il a été acheté, ou contacter un établissement de service agréé par KitchenAid. On peut trouver les noms et adresses des établissements de service agréés dans l'annuaire local Pages jaunes à la rubrique «Appareils électroménagers - service après-vente et réparations».

Pour obtenir le nom et l'adresse d'un établissement de service après-vente agréé, on peut également téléphoner sans frais au Centre d'assistance à la clientèle de KitchenAid au 1-800-422-1230 (états continentaux des États-Unis). Un opérateur spécialisé pourra alors communiquer le nom et l'adresse du plus proche établissement de service après-vente agréé KitchenAid.

Pour préserver la qualité incorporée dans cet appareil ménager KitchenAid, confier les travaux à un établissement de service après-vente agréé KitchenAid.

## Entretien

S'il est nécessaire d'enlever la table de cuisson pour les opérations d'entretien, fermer le robinet d'arrivée de gaz.

Déconnecter l'appareil des circuits de gaz et d'électricité, puis retirer la table de cuisson de sa cavité d'encastrement. Généralement il n'est pas nécessaire d'enlever la table de cuisson de la cavité d'encastrement pour les opérations d'entretien.



## Free Manuals Download Website

<http://myh66.com>

<http://usermanuals.us>

<http://www.somanuals.com>

<http://www.4manuals.cc>

<http://www.manual-lib.com>

<http://www.404manual.com>

<http://www.luxmanual.com>

<http://aubethermostatmanual.com>

Golf course search by state

<http://golfingnear.com>

Email search by domain

<http://emailbydomain.com>

Auto manuals search

<http://auto.somanuals.com>

TV manuals search

<http://tv.somanuals.com>