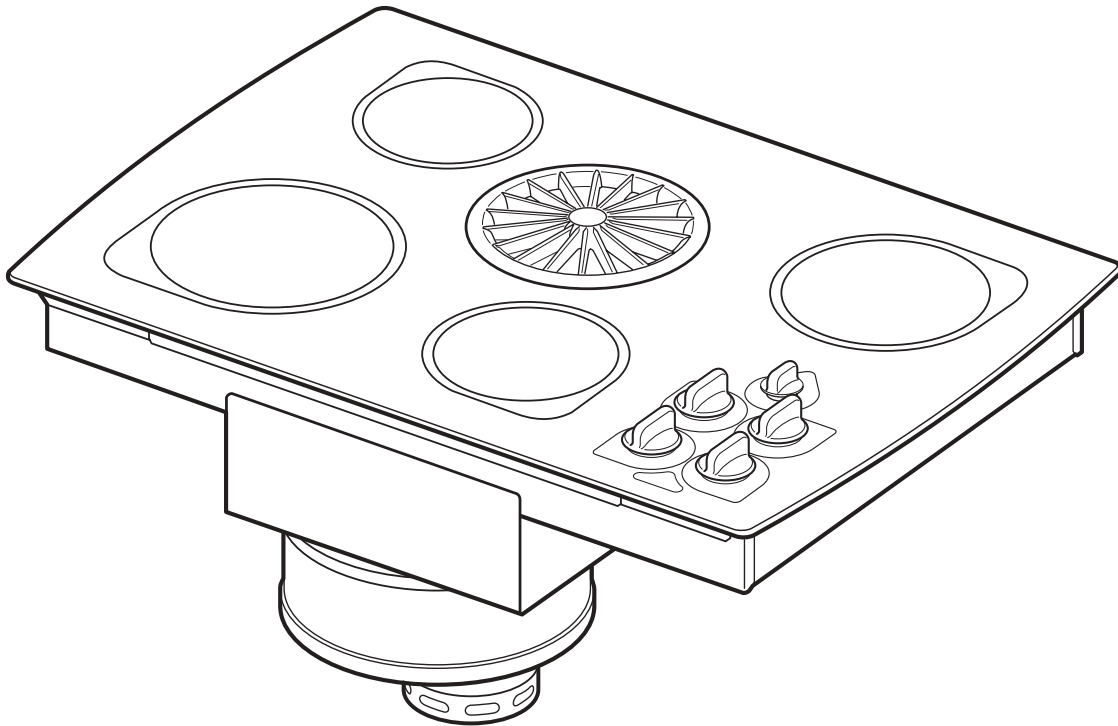

Installation Instructions

30" (76.2 cm) and 36" (91.4 cm) ELECTRIC Built-in Ceramic Downdraft Cooktop



KitchenAid[®]
FOR THE WAY IT'S MADE[®]

Questions regarding features, operation, performance, parts or service? Call 1-800-422-1230 or visit our web site at www.kitchenaid.com

IMPORTANT: Read and save these instructions.

IMPORTANT:

Installer: Leave Installation Instructions with the homeowner.

Homeowner: Keep Installation Instructions for future reference. Save Installation Instructions for local electrical inspector's use.

Write down the model and serial numbers before installing cooktop.

Both numbers are on the model/serial rating plate, located on the bottom of the cooktop.

Model # _____


Serial # _____

Part No. 8285364

Before you start...

Your safety and the safety of others is very important.

We have provided many important safety messages in this manual and on your appliance. Always read and obey all safety messages.

 This is the safety alert symbol. This symbol alerts you to hazards that can kill or hurt you and others. All safety messages will be preceded by the safety alert symbol and the word "DANGER" or "WARNING". These words mean:

DANGER

You will be killed or seriously injured if you don't follow instructions.

WARNING

You can be killed or seriously injured if you don't follow instructions.

All safety messages will identify the hazard, tell you how to reduce the chance of injury, and tell you what can happen if the instructions are not followed.

Important: Observe all governing codes and ordinances. Failure to meet codes and ordinances could lead to fire or electrical shock.

To eliminate the risk of burns by reaching over heated surface units, cabinet storage space located above the surface units should be avoided. If

cabinet storage is to be provided, the risk can be reduced by installing a range hood that projects horizontally a minimum of 5 inches (12.7 cm) beyond the bottom of the cabinets.

Proper installation is your responsibility.

- Make sure you have everything necessary for correct installation.
- **Have a qualified technician install this cooktop.**
- Comply with the electrical specifications on the model/serial rating plate. Model/serial rating plate is located on the bottom of the cooktop. Write both numbers down on the front cover now before installing cooktop.

Downdraft cooktop location should be away from strong draft areas, such as windows, doors and strong heating vents or fans. Locate cooktop for convenient use in kitchen.

Grounded electrical system is required. See "Electrical requirements," Page 6.

Venting system must terminate outdoors.

All openings in the wall or floor where cooktop is to be installed must be sealed.

It is the customer's responsibility to contact a qualified electrical installer, to make sure that the electrical installation is correct, and to make sure the electrical installation follows the National Electrical Code, ANSI/NFPA 70 — latest edition*, or CSA Standards C22.1-94, Canadian Electrical Code, Part 1 and C22.2 No. 0-M91 - latest edition**, and all local codes and ordinances.

WARNING: To reduce the risk of fire, electric shock, or injury to persons, observe the following:

Installation work and electrical wiring must be done by qualified person(s) in accordance with all applicable codes and standards, including fire-rated construction.

Sufficient air is needed for proper combustion and exhausting of gases through the flue (chimney) of fuel burning equipment to prevent back drafting. Follow the heating equipment manufacturer's guideline and safety standards such as those published by the American Society for Heating, Refrigeration and Air Conditioning Engineers (ASHRAE), and the local code authorities.

When cutting or drilling into wall or ceiling, do not damage electrical wiring and other hidden utilities.

Ducted fans must always be vented to the outdoors.

WARNING: To reduce the risk of fire, use only metal ductwork.

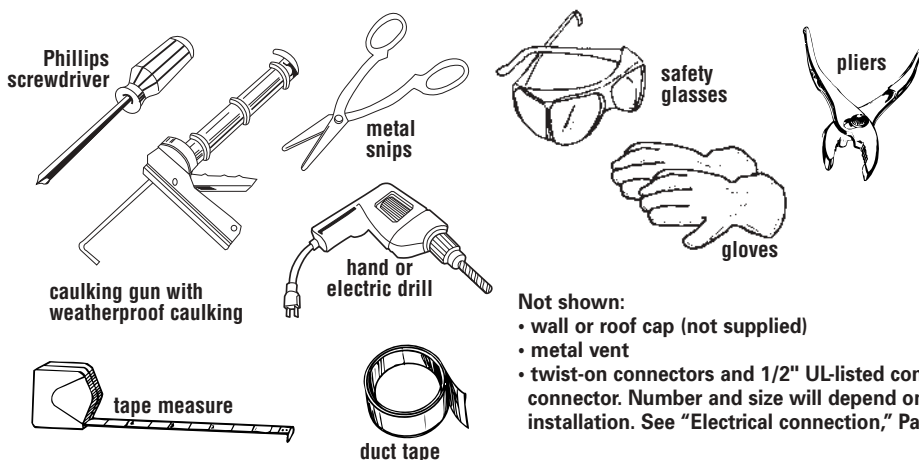
This downdraft cooktop is Not approved for use in mobile homes.

Copies of the standards listed may be obtained from:

* National Fire Protection Association
Batterymarch Park
Quincy, Massachusetts 02269

** Canadian Standard Association
178 Rexdale Boulevard
Etobicoke, (Toronto), Ontario M9W 1R3

Tools and materials needed for installation:



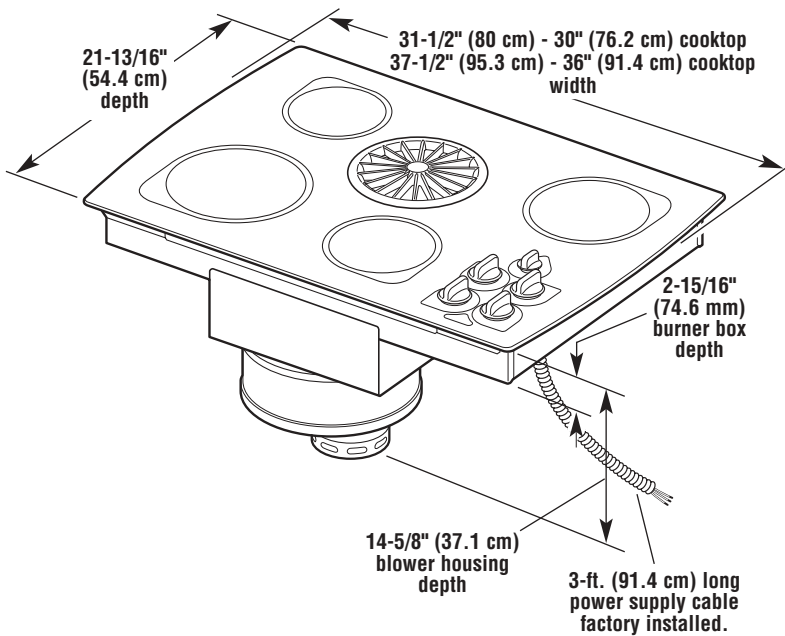
Not shown:

- wall or roof cap (not supplied)
- metal vent
- twist-on connectors and 1/2" UL-listed conduit connector. Number and size will depend on your installation. See "Electrical connection," Page 7.

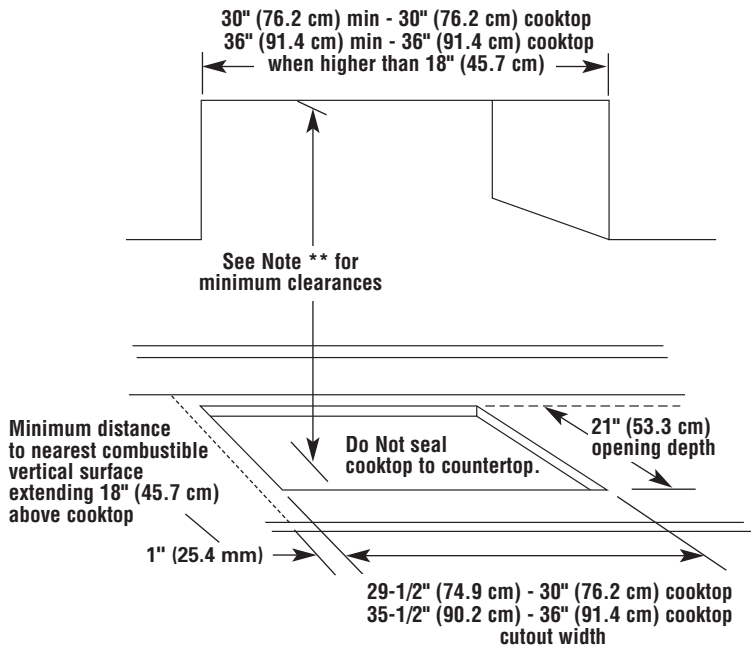
Parts supplied:

- literature pack
- vent cover
- glass cleaner

Product Dimensions



Clearance Dimensions



Side clearance — 6" (15.2 cm) minimum clearance between side of cooktop and side wall is recommended for maximum ventilation performance.

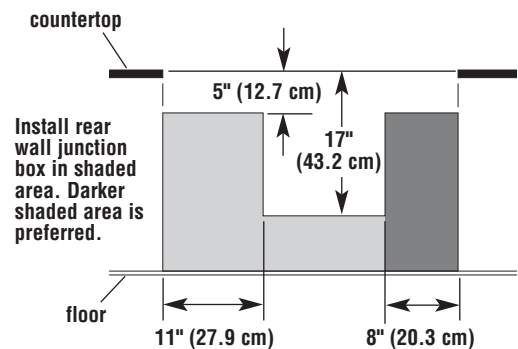
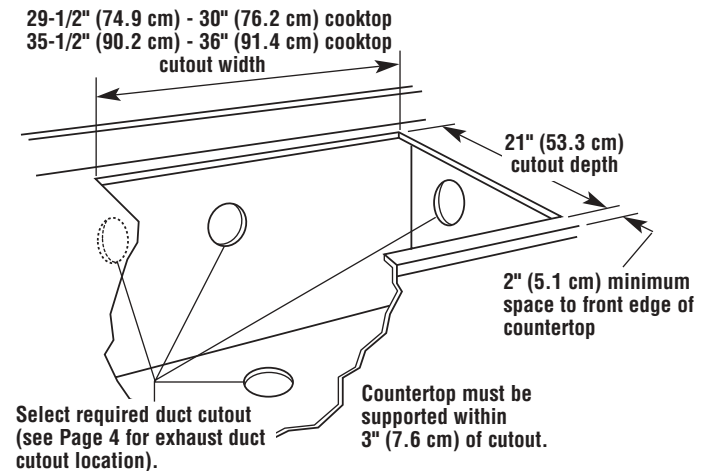
Rear clearance — 3/4" (19.1 mm) clearance between rear edge of cooktop and rear wall is recommended.

Motor/blower clearance — 2" (51 mm) minimum clearance between motor and cabinet is required for proper cooling. 6" (15.2 cm) clearance is recommended for servicing access.

**** Note:** 24" (61 cm) minimum when bottom of wood or metal cabinet is protected by not less than 1/4" (6.4 mm) flame retardant millboard covered with not less than No. 28 MSG sheet steel, 0.015" (0.4 mm) stainless steel, 0.024" (0.6 mm) aluminum or 0.020" (0.5 mm) copper.

30" (76.2 cm) minimum clearance between the top of the cooking platform and bottom of unprotected wood or sheet metal.

Cutout Dimensions



Minimum base cabinet dimensions —

30" (76.2 cm) base cabinet width
24" (61 cm) base cabinet depth
25" (63.5 cm) countertop depth

Countertop opening dimensions that are shown must be used. Given dimensions are minimum clearances and provide required 0" (0 cm) clearance.

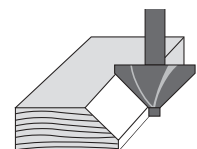
New installations — Follow minimum dimensions given.

Replacement installation — Be sure that front edge of cooktop is at least 1-1/2" (38.1 mm) back from front edge of countertop.

If cabinet has drawers, drawers will need to be removed and drawer fronts installed on front of cabinet.

Cutout preparation:

Decorative laminate — Chamfer all exposed edges to prevent chipping laminate. Cut radius corners and file to smooth edges and to prevent cracking.



Venting system requirements

Venting system must terminate to the outside.

Do Not terminate the vent system in an attic or other enclosed space.

Do Not use 4-inch (10 cm) laundry-type wall caps.

Use metal vent only. Exception: See "optional venting under a concrete slab", in "Venting methods" below. Rigid metal vent is recommended. Do not use plastic or metal foil vent.

To reduce risk of fire and to properly exhaust air, be sure to vent air outside.

Do Not vent exhaust air into spaces within walls or ceilings or into attics, crawl spaces or garages.

Before making cutouts, make sure there is proper clearance within the wall or floor for the exhaust vent.

Do Not cut a joist or stud unless absolutely necessary. If a joist or stud must be cut, then a supporting frame must be constructed.

Vent materials needed for installation are not supplied.

Determine which venting method to use. See "Venting methods," below. Next, determine the equivalent vent length using chart on Page 5. The maximum equivalent vent length is 60 feet (18.3 m).

The blower housing is set to vent straight out the back from the cooktop. To vent down, left or right, see "Installation," Step 2, Page 6.

This downdraft cooktop is rated at 60 feet (18.3 m) of straight vent or the equivalent.

- If vent length is 10 feet (3 m) or less, 6" (15.2 cm) diameter round vent may be used.
- If vent length is more than 10 feet (3 m), use 6" (15.2 cm) diameter round or 3-1/4" x 10" (8.3 x 25.4 cm) rectangular vent.

Thermal breaks: In areas of extreme cold weather, it may be necessary to provide a short length of nonmetallic duct as close to the wall as possible to prevent thermal conduction along the metal vent.

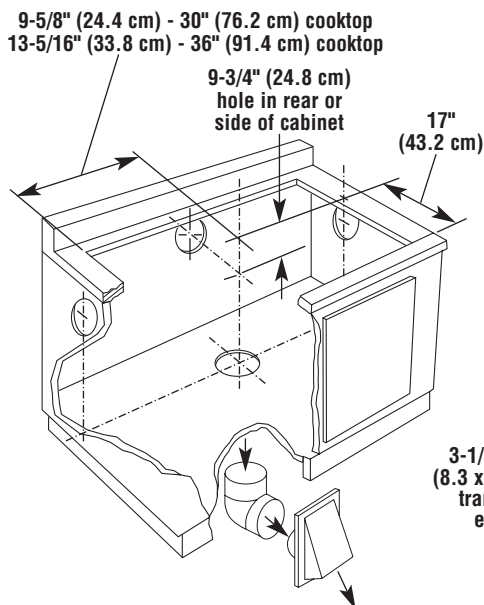
For altitudes above 4,500 ft (1372 m), reduce recommended vent run by 20%.

For the most efficient and quietest operation:

- ✓ Use 26-gauge minimum galvanized or 25-gauge minimum aluminum metal vent. Poor-quality pipe fittings can reduce air flow. (Note: Local codes may require a heavier-gauge material.) Flexible metal vent is Not recommended.

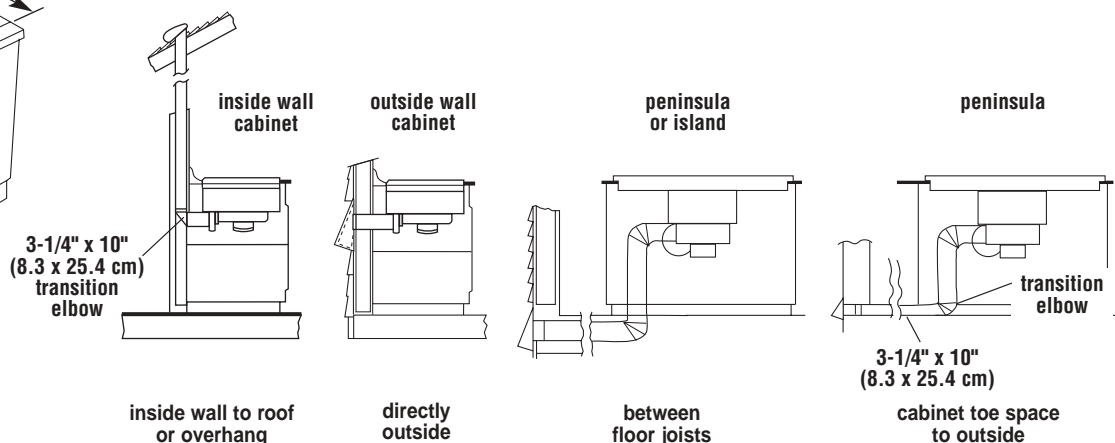
- ✓ Do Not exhaust more than one downdraft cooktop into a single vent system.
- ✓ The length of vent and number of elbows should be kept to a minimum to provide efficient performance.
- ✓ The size of the vent should be uniform.
- ✓ Use the fewest number of 90° elbows.
- ✓ Do Not install two elbows together.
- ✓ Make sure there is a minimum of 18" (45.7 cm) of straight vent between the elbows if more than one elbow is used. (Elbows too close together cause excess turbulence that reduces airflow.)
- ✓ Do Not use a 5" (12.7 cm) elbow in a 6" (15.2 cm) or 3-1/4" x 10" (8.3 x 25.4 cm) system.
- ✓ Do Not reduce back to 5" (12.7 cm) system after using 6" (15.2 cm) or 3-1/4" x 10" (8.3 x 25.4 cm) fittings.
- ✓ Avoid forming handmade crimps. Handmade crimps may restrict airflow.
- ✓ Use the recommended vent caps for proper performance. If an alternate wall or roof cap is used, be certain cap size is not reduced and that it has a backdraft damper.
- ✓ Use duct tape to seal all joints in the vent system.
- ✓ Use caulking to seal exterior wall or roof opening around the cap.

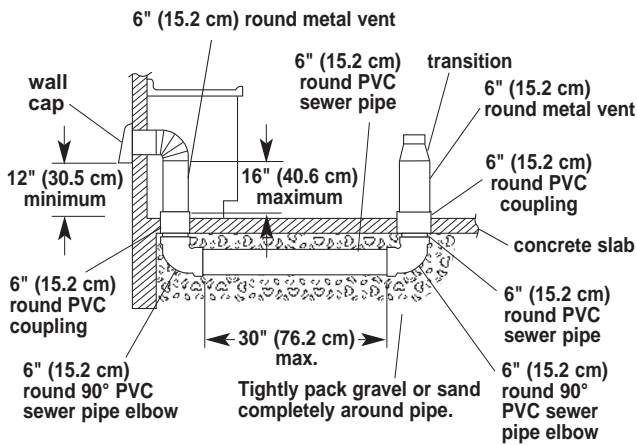
Venting methods



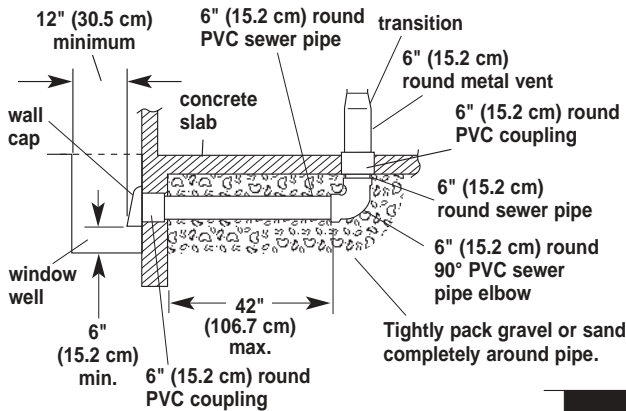
The cooktop may be vented through the wall or floor. Common venting methods and the types of materials needed are shown.

Make sure there is proper clearance within the wall or floor for exhaust vent before making cutouts.

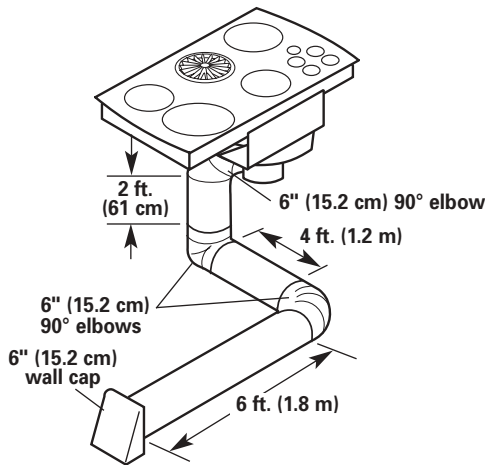




optional vent arrangement under concrete slab



optional vent arrangement through window well under concrete slab



90° elbows (3) = 15 ft. (4.6 m)
 12 feet (3.7 m) straight = 12 ft. (3.7 m)
 Wall cap = 0 ft. (0 m)

Equivalent length of 6" (15.2 cm) round system = 27ft. (8.3 m)

Determine equivalent length of vent. Maximum equivalent length of vent is 60 ft (18.3 m).

List the number of each piece and length of straight vent you will use. Multiply the equivalent length by the number of pieces. Add the totals to get the total equivalent length of your system.

Vent Piece	Equivalent Length	No. of Pieces/Length	Total Equivalent Length
straight vent per lineal foot			
3-1/4" x 10" (8.3 x 25.4 cm)	1 ft. (30.5 cm)		
6" (15.2 cm) round	1 ft. (30.5 cm)		
6" (15.2 cm) flexible	2 ft. (61 cm)		
elbow			
6" (15.2 cm) round 45° elbow	2.5 ft. (76.2 m)		
6" (15.2 cm) round 90° elbow	5 ft. (1.5 m)		
3-1/4" x 10" (8.3 x 25.4 cm) flat elbow	12 ft. (3.7 m)		
3-1/4" x 10" (8.3 x 25.4 cm) 90° elbow	5 ft. (1.5 m)		
transition to round			
3-1/4" x 10" (8.3 x 25.4 cm) to 6" (15.2 cm) 90° elbow	9 ft. (2.7 m)		
3-1/4" x 10" (8.3 x 25.4 cm) to 6" (15.2 cm)	4.5 ft. (1.4 m)		
transition to flat			
6" (15.2 cm) to 3-1/4" x 10" (8.3 x 25.4 cm) 90° elbow	5 ft. (1.5 m)		
6" (15.2 cm) to 3-1/4" x 10" (8.3 x 25.4 cm)	1 ft. (30.5 cm)		
wall cap*			
3-1/4" x 10" (8.3 x 25.4 cm)	0 ft. (0 cm)		
6" (15.2 cm) round	0 ft. (0 cm)		
roof cap*			
10" x 10" (25.4 X 25.4 cm)	0 ft. (0 cm)		
thermal break			
6" (15.2 cm) round	2 ft. (61 cm)		
Total equivalent vent system length			

* Length for required wall/roof cap has already been incorporated into rating for maximum vent system length. A suitable wall/roof cap must be used.

Note: Flexible metal vent is Not recommended.

If it is used, calculate each foot (30 cm) of flexible vent as two feet (61 cm) of straight metal vent. Flexible metal elbows count twice as much as standard elbows.

Electrical requirements

If codes permit and a separate ground wire is used, it is recommended that a qualified electrician determine that the ground path is adequate.

Do Not ground to a gas pipe.

Check with a qualified electrician if you are not sure cooktop is properly grounded.

Do Not have a fuse in the neutral or grounding circuit.

The downdraft cooktop must be connected to the proper electrical voltage and frequency as specified on the model/serial rating plate. The model/serial rating plate is located on the bottom of the cooktop.

- A four-wire or three-wire, single-phase, 240-volt, 60-Hz, AC-only electrical supply is required on a separate 30-ampere circuit, fused on both sides of the line.
- A time-delay fuse or circuit breaker is recommended. The fuse size must not exceed the circuit rating of the appliance as specified on the model/serial rating plate.
- CONNECT WITH COPPER WIRE ONLY.**
- Connected directly to the fused disconnect (or circuit breaker box) through flexible, armored or non-metallic sheathed, copper cable (with ground wire).
- Flexible armored cable should connect cooktop directly to the junction box.
- Fuse both sides of the line.

- Locate the junction box to allow as much slack as possible between the junction box and cooktop so that the downdraft cooktop can be moved if servicing is ever necessary.
- A U.L.-listed 1/2" (12.7 mm) conduit connector must be provided at the junction box.

The recommended minimum copper wire size is No.-10 gauge. However, wire sizes and connections must conform to the requirements of the National Electrical Code, ANSI/NFPA 70 — latest edition*, or CSA Standards C22.1-94, Canadian Electrical Code, Part 1 and 22.2 No. 0-M91 - latest edition** and all local codes and ordinances. Wire sizes and connections must conform with the rating of the cooktop.

Copies of the standard listed may be obtained from:

* **National Fire Protection Association**
Batterymarch Park
Quincy, Massachusetts 02269

** **Canadian Standard Association**
178 Rexdale Boulevard
Etobicoke, Ontario M9W 1R3

The wiring diagram is located on the bottom of the cooktop.

Twist-on connectors and U.L.-listed 1/2" (12.7 mm) conduit connector are not provided.

Installation

1. Remove shipping materials and tape from cooktop.

2. The blower is set to vent straight out the back of the cooktop.

To vent to the left side, right side or down through the bottom of the cabinet, add an elbow to the blower assembly exhaust vent.

It may be easier to connect appliance cable to junction box before inserting cooktop into cutout. See "Electrical connections," Page 7.

⚠ WARNING

Excessive Weight Hazard
Use two or more people to move and install cooktop.
Failure to do so could result in back or other injury.

Lift entire cooktop up from cutout when positioning cooktop in countertop opening.

3. Insert downdraft cooktop into cutout. Check that:

- cooktop is centered in cutout.
- front edge of downdraft cooktop is at least 1-1/2" (38.1 mm) from front edge of countertop and parallel to countertop.
- rear edge of cooktop is at least 3/4" (19.1 mm) from rear wall as recommended.
- side edge of cooktop is at least 6 inches (15.2 cm) from side wall.

4. Connect vent system. See "Venting requirements," Pages 4-5. Use duct tape to seal all joints. Vent must end with a wall or roof cap outside the building.

Electrical connection

⚠ WARNING



Electrical Shock Hazard

Turn power supply off before connecting wires.
Use 10-gauge solid copper wire.
Electrically ground cooktop.
Failure to follow these instructions can result in death, fire, or electrical shock.

This cooktop must be connected to a grounded, metallic permanent wiring system or a ground connector should be connected to the ground terminal or wire lead on the cooktop.

This cooktop is manufactured with a frame connected, green or bare ground wire. Connect the cooktop cable to the junction box through the 1/2" (12.7 mm) U.L.-listed conduit connector. Complete electrical connection according to local codes and ordinances.

5. Make the electrical connection:

1. **Disconnect the power supply.**
2. Remove the junction box cover from junction box inside cabinet.
3. Connect cooktop power supply cable to junction box using a U.L.-listed conduit connector. Tighten screws on conduit connector.
4. Connect the two black wires together with twist-on connectors.
5. Connect the two red wires together with twist-on connectors.
6. Complete the electrical connection according to local codes and ordinances. (See "Wire connections chart.")

Wire connections chart

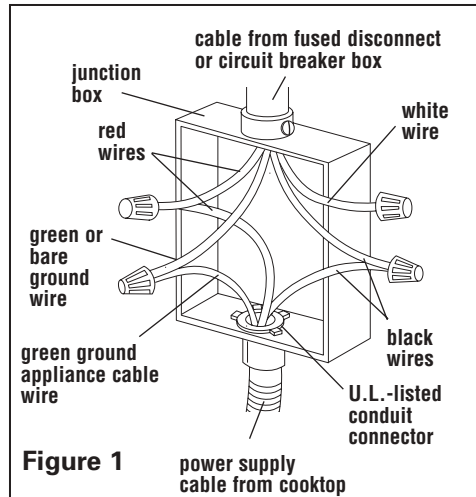


Figure 1

power supply cable from cooktop

If local codes DO NOT PERMIT connecting cooktop-ground conductor to neutral white wire in junction box: (four-wire system)

7. Connect the green ground power supply cable wire to the ground wire in junction box or other ground connector with twist-on connector. See Figure 1.
8. Put a twist-on connector on end of white wire.
9. Replace junction box cover.

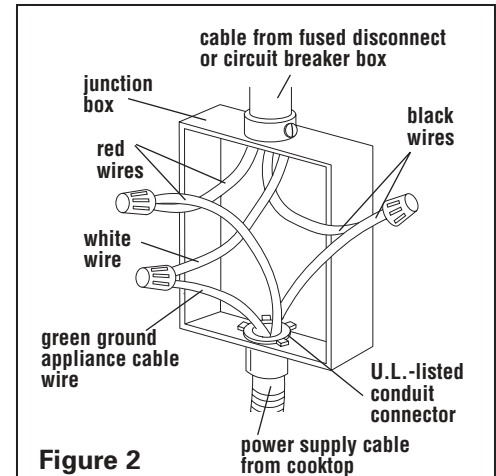


Figure 2

power supply cable from cooktop

If local codes PERMIT connecting cooktop-ground conductor to neutral junction box wire: (three-wire system)

7. Connect the green power supply cable wire to the neutral (white) wire in junction box with twist-on connector. See Figure 2.
8. Replace junction box cover.

Check operation

6. Turn on electrical supply.
7. Check that cooktop surface elements heat and indicator lights are operating correctly.
8. Check that downdraft vent operates. If the cooktop does not operate, disconnect the power supply and check that wire connections have been made correctly.

You have just finished installing your new KitchenAid downdraft cooktop. To get the most efficient use from your new cooktop, read your Use & Care Guide. Keep Installation Instructions and Guide close to cooktop for easy reference.

Cooktop removal

If removing the cooktop is necessary for cleaning or maintenance:

1. Disconnect electrical supply.
2. Disconnect vent duct system.
3. Lift cooktop out of countertop to complete cleaning or maintenance.

After cleaning and maintenance:

1. Reinstall cooktop in cutout.
2. Check that front edge of cooktop is parallel to front edge of countertop.
3. Connect vent duct system.
4. Connect electrical supply.

If cooktop does not operate:

- Check that circuit breaker is not tripped or the house fuse blown.
- Check that wire connections are intact.
- See Use and Care Guide for troubleshooting list.

If you need assistance:

The KitchenAid Consumer Assistance Center is open 24 hours a day, 7 days a week. Call 1-(800) 422-1230. The call is free within the continental United States. In Canada, call 1-(800) 461-5681 for English and 1-(800) 461-5703 for French. Or visit our web site at www.kitchenaid.com.

When you call, you will need the cooktop model number and serial number. Both numbers can be found on the model/serial rating plate located on the bottom of the cooktop.

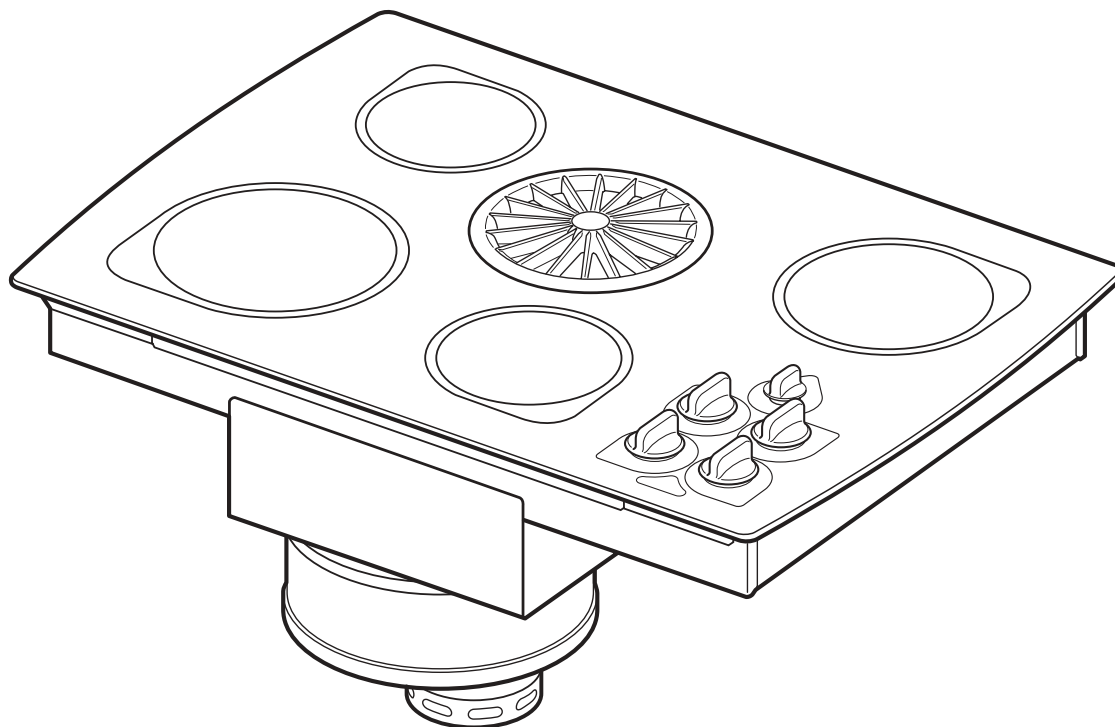
If you need service:

Consult your Use & Care Guide.

In the event that your KitchenAid appliance should need service, call the dealer from whom you purchased the appliance or a KitchenAid-designated service company. A KitchenAid-designated service company is listed in the Yellow Pages of your telephone directory under "Appliances — Household — Major — Service and Repair."

Instructions d'installation

Table de cuisson encastrée électrique en céramique de 76,2 cm (30 po) et 91,4 cm (36 po) à aspiration vers le bas



KitchenAid[®]
BIEN PENSÉ, BIEN FABRIQUÉ[®]

Pour des questions concernant les caractéristiques, le fonctionnement, la performance, les pièces, accessoires ou le service, composer le 1-800-422-1230 ou consulter www.kitchenaid.com

IMPORTANT : **Lire et conserver ces** **instructions.**

IMPORTANT :

Installateur : Remettre les instructions d'installation au propriétaire de l'appareil.

Propriétaire : Conserver les instructions d'installation pour consultation ultérieure. Conserver les instructions d'installation à l'intention de l'inspecteur local des installations électriques.

Inscire ci-dessous les numéros de modèle et de série, avant d'installer la table de cuisson.

On trouve ces deux numéros sur la plaque signalétique, située sur le fond de la caisse de la table de cuisson.

N° de modèle _____

N° de série _____

N° de pièce 8285364

Avant de commencer...

Votre sécurité et celle des autres est très importante.

Nous donnons de nombreux messages de sécurité importants dans ce manuel et sur votre appareil ménager. Assurez-vous de toujours lire tous les messages de sécurité et de vous y conformer.



Voici le symbole de sécurité. Ce symbole d'alerte de sécurité vous signale les dangers susceptibles de causer le décès et des blessures graves à vous et à d'autres. Tous les messages de sécurité seront précédés du symbole d'alerte de sécurité et du mot «DANGER» ou «AVERTISSEMENT». Ces mots signifient :

! DANGER

Risque certain de décès ou de blessure grave si vous ne suivez pas les instructions.

! AVERTISSEMENT

Risque possible de décès ou de blessure grave si vous ne suivez pas les instructions.

Tous les messages de sécurité identifient le danger et vous disent comment réduire le risque de blessure. Le non-respect des règlements pourrait causer un incendie ou un choc électrique.

Important : Observer tous les codes et règlements en vigueur. Le non-respect des codes et règlements pourrait être la cause d'un incendie ou d'un choc électrique.

On devrait éviter d'installer un placard de rangement au-dessus des unités de surface afin d'éliminer le risque d'incendie ou de brûlures lorsqu'on essaie d'atteindre quelque chose au-dessus des unités de surface chauffées. Si un placard est nécessaire, il est possible de réduire le risque en installant sous les placards une hotte de cuisinière qui fait saillie d'au moins 5 pouces.

La responsabilité de la qualité de l'installation incombe au propriétaire.

- Vérifier que tout le matériel nécessaire pour une installation correcte est disponible.
- **Faire installer cette table de cuisson par un technicien qualifié.**
- Respecter les spécifications électriques sur la plaque signalétique des numéros de modèle et de série. La plaque signalétique se trouve sur le fond de la table de cuisson. Inscrire les deux numéros sur la couverture avant l'installation de la table de cuisson.

L'emplacement de la table de cuisson à aspiration par le bas devrait être éloigné des sources de courants d'air intenses, comme les fenêtres, portes et puissants ventilateurs ou bouches de chauffage. La table de cuisson devrait être installée à un endroit pratique dans la cuisine.

Une liaison électrique à la terre est nécessaire. Voir «Spécifications électriques», page 6.

Le système d'extraction de l'air doit se terminer à l'extérieur.

Toutes les ouvertures découpées dans le mur ou dans le plancher au voisinage de l'endroit où la table de cuisson sera installée, doivent être scellées.

C'est au client qu'incombe la responsabilité de contacter un électricien qualifié pour s'assurer que l'installation électrique est adéquate et

en conformité avec les prescriptions du Code national des installations électriques ANSI/NFPA 70 - dernière édition*, ou des normes ACNOR C22.1.94, du Code canadien des installations électriques (partie 1) et C22.2 N 0-M91 - dernière édition, et avec les prescriptions de tous les codes et règlements locaux en vigueur.**

AVERTISSEMENT - Pour réduire le risque d'incendie, choc électrique ou blessure, respecter les instructions suivantes :

Tout travail d'installation ou câblage électrique doit être réalisé par une personne qualifiée, et respecter des prescriptions de tous les codes et normes applicables, y compris les codes du bâtiment et de protection contre les incendies.

Une quantité d'air suffisante est nécessaire pour une bonne combustion et pour l'évacuation des gaz par le conduit de cheminée de l'équipement de combustion pour empêcher le retour d'air. Respecter les directives du fabricant de l'équipement de chauffage et les prescriptions des normes de sécurité - comme celles publiées par l'American Society for Heating, Refrigeration and Air Conditioning Engineers (ASHRAE) - et les prescriptions des autorités réglementaires locales.

Lors d'opérations de découpage et de perçage dans un mur ou plafond, veiller à ne pas endommager les câblages électriques ou canalisations qui peuvent s'y trouver.

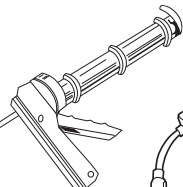
Le conduit d'évacuation associé à un ventilateur doit toujours décharger l'air à l'extérieur.

AVERTISSEMENT : Pour réduire le risque d'incendie, utiliser uniquement des conduits métalliques.

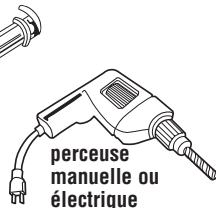
Outillage et matériaux requis :



tournevis Phillips



pistolet d'application pour produits de calfeutrage et d'étanchéité



perceuse manuelle ou électrique



lunettes de sécurité



ruban adhésif pour conduits



pince



gants



mètre-ruban



cisaille de ferblantier

Non illustrés :

- bouche de décharge murale ou par le toit (non fournie)
- conduit métallique
- connecteurs vissables et connecteurs de conduit 12,7 mm (1/2 po) homologués UL. Le nombre et la taille dépendront de votre installation. Voir "Connexion électrique", page 7.

La table de cuisson à aspiration vers le bas n'est pas approuvée pour utilisation dans les habitations mobiles.

*Des exemplaires des normes indiquées peuvent être obtenus aux adresses suivantes :

* National Fire Protection Association
Battery March Park

Quincy, Massachusetts 02269

** Canadian Standard Association

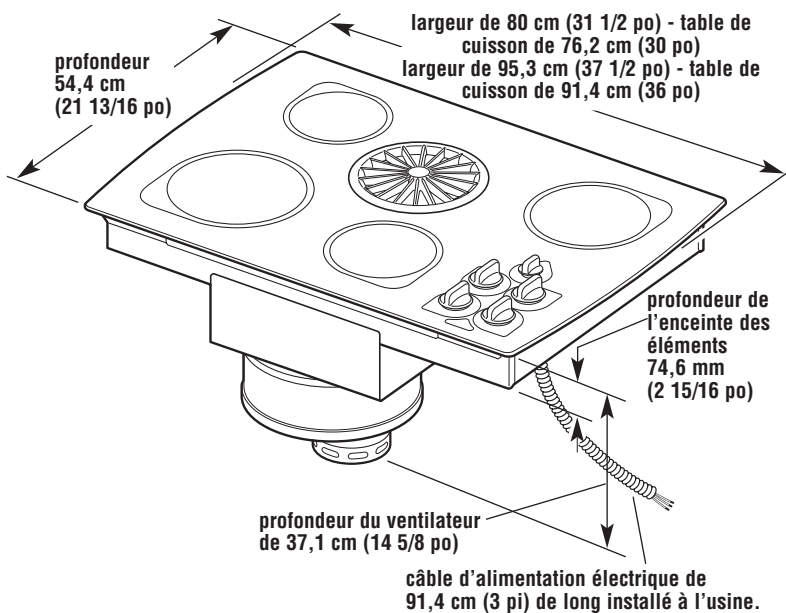
178 Rexdale Boulevard

Etobicoke, (Toronto), Ontario M9W 1R3

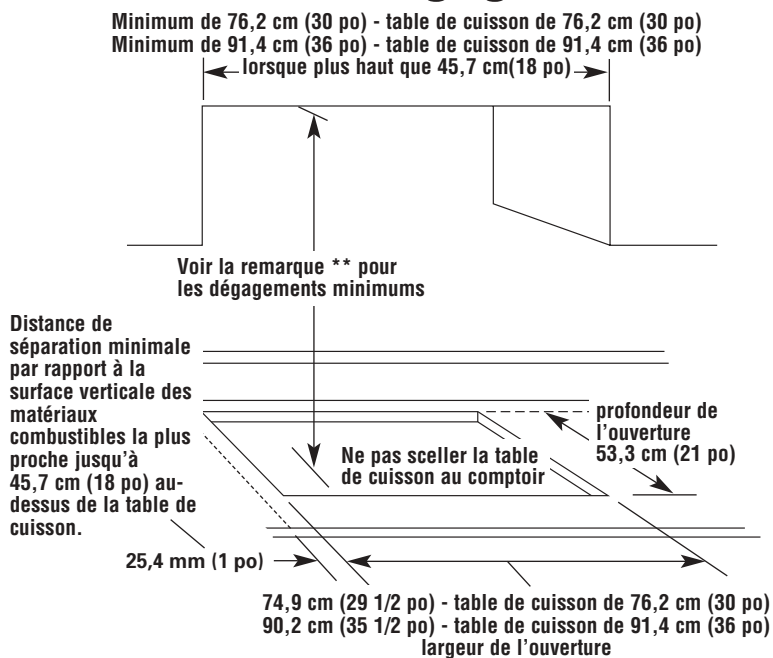
Pièces fournies :

- documentation
- couvercle d'évent
- nettoyeur à verre

Dimensions du produit



Dimensions de dégagement



Dégagement latéral - Dégagement minimum de 15,2 cm (6 po) recommandé entre le côté de la table de cuisson et le mur latéral pour une ventilation maximale.

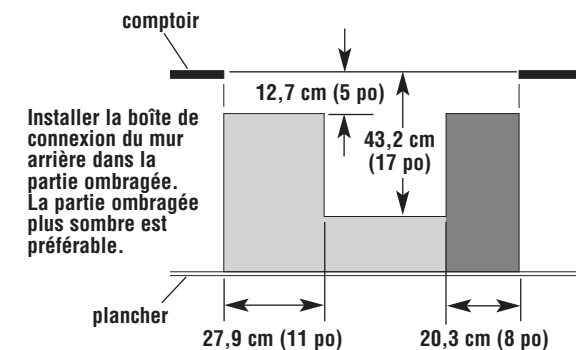
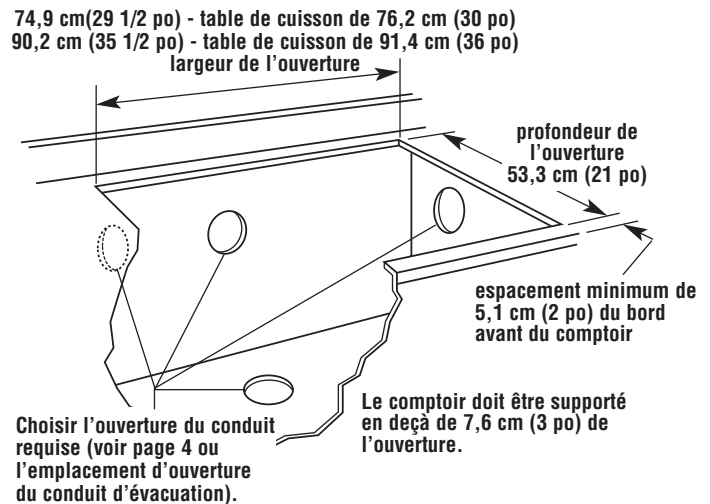
Dégagement arrière - Un dégagement de 19,1 mm (3/4 po) est recommandé entre le bord arrière de la table de cuisson et le mur arrière.

Dégagement de moteur/soufflerie - Dégagement minimum de 51 mm (2 po) entre le moteur et le placard est requis pour un refroidissement adéquat. Un dégagement de 15,2 cm (6 po) est recommandé pour l'accès de service.

** Minimum de 61 cm (24 po) lorsque le fond du placard de bois ou de métal est protégé par un panneau ignifuge d'au moins 6,4 mm (1/4 po) couvert par une feuille d'acier d'au moins 28 MSG, acier inoxydable de 0,4 mm (0,015 po), aluminium de 0,6 mm (0,024 po) ou cuivre de 0,5 mm (0,020 po).

Dégagement minimum de 76,2 cm (30 po) entre le dessus de la table de cuisson et le dessous de bois ou de tôle non protégé.

Dimensions de l'ouverture à découper



Dimensions minimales du placard inférieur -

largeur de placard inférieur de 76,2 cm (30 po)

profondeur de placard inférieur de 61 cm (24 po)

profondeur de dessus de comptoir de 63,5 cm (25 po)

Les dimensions de l'ouverture dans le comptoir indiquées doivent être utilisées. Les dimensions données sont les dégagements minimaux et fournissent le dégagement requis de 0 cm (0 po).

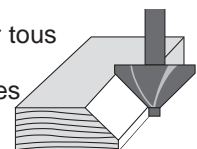
Nouvelles installations - Suivre les dimensions minimales données.

Installation de remplacement - S'assurer que le bord avant de la table de cuisson se trouve à au moins 38,1 mm (1 1/2 po) derrière le bord avant du comptoir.

Si le placard comporte des tiroirs, il faudra enlever les tiroirs et installer des devant de tiroir sur le devant du placard.

Préparation de l'ouverture :

Stratifié décoratif - Chanfreiner tous les bords exposés pour éviter d'écorner le stratifié. Arrondir les coins et limer pour obtenir des bords sans aspérités et pour prévenir le fendillement.



Prescriptions concernant le système d'évacuation

Le système doit décharger l'air à l'extérieur.

Ne pas terminer le conduit d'évacuation au-dessus d'un plafond ou dans un autre espace fermé.

Ne pas utiliser une bouche de décharge murale de 10 cm (4 po) normalement utilisée pour un équipement de buanderie.

Utiliser un conduit métallique seulement. Exception : voir "Option - circuit d'évacuation installé sous une dalle de béton" ci-dessous. Un conduit métallique rigide est recommandé. Ne pas utiliser de conduit flexible métallique ou de plastique.

Pour réduire le risque d'incendie et évacuer l'air adéquatement, veiller à décharger l'air à l'extérieur.

Ne pas décharger l'air dans les murs, plafonds ou greniers, vides sanitaires ou garages.

Avant de découper les ouvertures de passage du conduit d'évacuation, vérifier que les dégagements de sécurité appropriés seront respectés dans le mur ou le plancher.

Ne pas couper les solives ou les poteaux de colombage à moins que cela ne soit absolument nécessaire. S'il faut couper une solive ou un poteau de colombage, on doit construire une structure de support.

Les conduits nécessaires ne sont pas fournis.

Déterminer la méthode d'évacuation à utiliser. Voir "Méthode d'évacuation" ci-dessous.

Déterminer ensuite la longueur de conduit équivalente à l'aide du tableau à la page 5. La longueur équivalente maximale du conduit est de 18,3 m (60 pieds).

Le boîtier de ventilateur est réglé pour évacuer l'air directement à l'arrière de la table de cuisson. Pour évacuer vers le

bas, vers la gauche ou vers la droite, voir "Installation", page 6.

La longueur nominale d'un conduit d'évacuation rectiligne ou l'équivalent pour cette table de cuisson à aspiration vers le bas est de 18,3 m (60 pieds).

- Si la longueur du conduit est 3 m (10 pieds) ou moins, un conduit rond de 15,2 cm (6 po) de diamètre peut être utilisé.
- Si la longueur du conduit est supérieure à 3 m (10 pieds), utiliser un conduit rond de 15,2 cm (6 po) ou un conduit rectangulaire de 8,3 x 25,4 cm (3 1/4 x 10 po).

Isolants thermiques : Dans les régions de froid extrême, il peut être nécessaire d'installer une courte section de conduit non métallique le plus près possible du mur pour empêcher la conduction thermique le long du conduit métallique.

Pour les altitudes supérieures à 1372 m (4500 pi), réduire la longueur recommandée du conduit de 20 %.

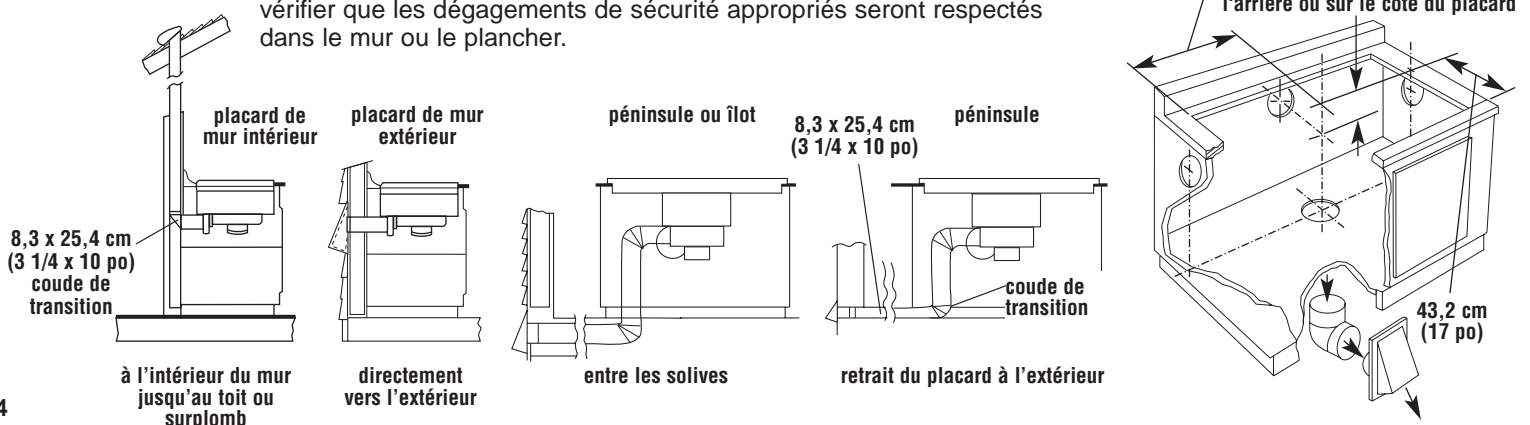
Pour le fonctionnement le plus efficace et le plus silencieux :

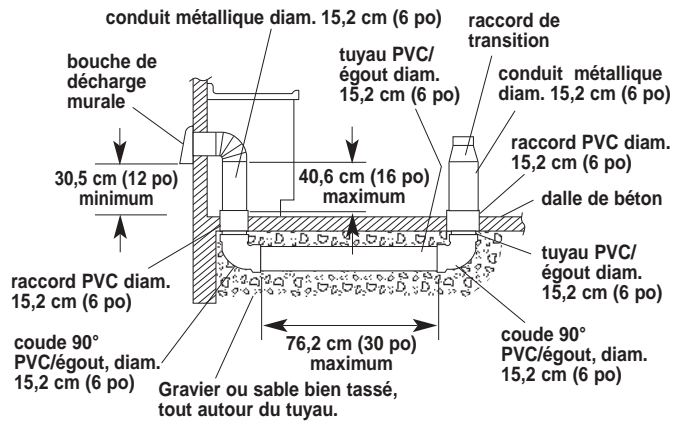
- Utiliser un conduit métallique galvanisé d'un calibre minimum de 26 ou en aluminium d'un calibre minimum de 25. Les raccords de conduit de mauvaise qualité peuvent réduire le débit d'air. (Remarque : il est possible que les codes locaux exigent un matériau de calibre plus épais). L'utilisation d'un conduit flexible métallique n'est pas recommandée.
- Ne pas décharger l'air de plus d'une table de cuisson à aspiration vers le bas dans un seul système d'évacuation.
- La longueur du conduit et le nombre de coudes devraient être maintenus au minimum pour une performance efficace.
- La taille du conduit devrait être uniforme.
- Utiliser le moins de coudes à 90° possible.
- Ne pas connecter deux coudes ensemble.
- Veiller à ce que deux coudes soient séparés par une section rectiligne d'au moins 45,7 cm (18 po) si plus d'un coude est utilisé. (Les coudes trop rapprochés causent une turbulence excessive qui réduit le débit d'air.)
- Ne pas utiliser un coude de 12,7 cm (5 po) dans un système de 15,2 cm (6 po) ou de 8,3 x 25,4 cm (3 1/4 x 10 po).
- Ne pas réduire l'arrière à un système de 12,7 cm (5 po) après avoir utilisé des raccords de 15,2 cm (6 po) ou de 8,3 x 25,4 cm (3 1/4 x 10 po).
- Éviter de déformer manuellement les conduits. De telles déformations peuvent restreindre le débit d'air.
- Utiliser les bouches de décharge recommandées pour une performance adéquate. Si on utilise une autre bouche de décharge à travers le mur ou à travers le toit, veiller à ce que la taille de la bouche de décharge ne soit pas réduite et qu'elle comporte un registre antirefoulement.
- Utiliser du ruban adhésif pour conduit pour assurer l'étanchéité au niveau de chaque jointure.
- Utiliser un produit de calfeutrage pour sceller l'ouverture autour de la bouche de décharge à travers le mur ou le toit.

Méthodes d'évacuation

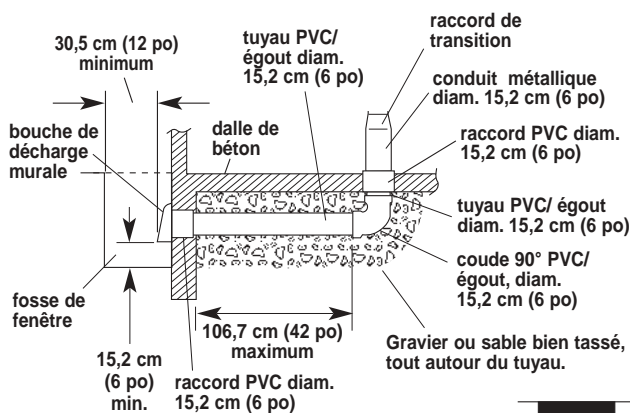
Le conduit d'évacuation de la table de cuisson peut être acheminé à travers le mur ou le plancher. Les méthodes d'évacuation courantes et les types de matériaux nécessaires sont illustrés.

Avant de découper les ouvertures de passage du conduit d'évacuation, vérifier que les dégagements de sécurité appropriés seront respectés dans le mur ou le plancher.

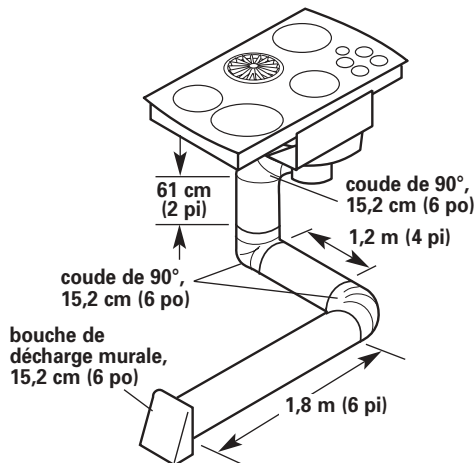




option - circuit d'évacuation installé sous une dalle de béton, dans une fosse de fenêtre.



option - circuit d'évacuation installé sous une dalle de béton



coude à 90° (3) = 4,6 m (15 pi)
 3,7 m 12 pieds rectilignes = 3,7 m (12 pi)
 bouche de décharge murale = 0 m (0 pi)

Longueur équivalente du système rond de 15,2 cm (6 po) = 8,3 m (27 pi)

Déterminer la longueur équivalente du conduit d'évacuation. La longueur équivalente maximale du conduit d'évacuation est de 18,3 m (60 pi).

Inscrire le nombre de chaque pièce et la longueur de conduit rectiligne que l'on utilisera. Multiplier la longueur équivalente par le nombre de pièces. Additionner les totaux pour obtenir la longueur équivalente totale du système.

Pièce de conduit	Longueur équivalente	Nbre de pièces/ longueur	Longueur équivalente totale
conduit rectiligne par pied linéaire			
8,3 x 25,4 cm (3 1/4 x 10 po)	30,5 cm (1 pi)		
rond 15,2 cm (6 po)	30,5 cm (1 pi)		
flexible 15,2 cm (6 po)	61 cm (2 pi)		
coude			
coude rond de 15,2 cm (6 po) à 45°	76,2 m (2,5 pi)		
coude rond de 15,2 cm (6 po) à 90°	1,5 m (5 pi)		
coude plat 8,3 x 25,4 cm (3 1/4 x 10 po)	3,7 m (12 pi)		
coude de 90° 8,3 x 25,4 cm (3 1/4 x 10 po)	1,5 m (5 pi)		
transition à rond			
coude de 90° 8,3 x 25,4 cm (3 1/4 x 10 po) à 15,2 cm (6 po) débit d'air	2,7 m (9 pi)		
8,3 x 25,4 cm (3 1/4 x 10 po) à 15,2 cm (6 po)	1,4 m (4,5 pi)		
transition à plat			
coude de 90° 15,2 cm (6 po) à 8,3 x 25,4 cm (3 1/4 x 10 po) débit d'air	1,5 m (5 pi)		
15,2 cm (6 po) à 8,3 x 25,4 cm (3 1/4 x 10 po) débit d'air	30,5 cm (1 pi)		
bouche de décharge murale*			
8,3 x 25,4 cm (3 1/4 x 10 po)	0 cm (0 pi)		
rond 15,2 cm (6 po)	0 cm (0 pi)		
bouche de décharge à travers le toit*			
25,4 x 25,4 cm (10 x 10 po)	0 cm (0 pi)		
isolant thermique			
rond 15,2 cm (6 po)	61 cm (2 pi)		
Longueur totale équivalente du système d'évacuation			

Remarque : On déconseille l'emploi d'un conduit d'évacuation flexible.

En cas d'utilisation de conduit d'évacuation flexible, on doit tenir compte du fait que la longueur effective de un pied de conduit flexible correspond à deux pieds de conduit métallique rigide. La longueur effective des coudes des conduits flexibles est le double de la longueur effective des coudes standard.

* La longueur pour la bouche de décharge murale ou à travers le toit a déjà été incorporée dans le calcul de la longueur maximale du système d'évacuation. Il faut utiliser une bouche de décharge à travers le mur ou le toit convenable.

Spécifications électriques

Si un conducteur distinct de liaison à la terre est utilisé lorsque le code le permet, on recommande qu'un électricien qualifié vérifie que la liaison à la terre est adéquate.

Ne pas utiliser une tuyauterie de gaz pour la liaison à la terre.

En cas d'incertitude quant à la qualité de la liaison à la terre de la table de cuisson, consulter un électricien qualifié.

Ne pas installer un fusible en série avec le conducteur neutre ou le conducteur de liaison à la terre.

La table de cuisson à aspiration vers le bas doit être raccordée à une tension électrique et fréquence appropriées tel que précisé sur la plaque signalétique des numéros de modèle et de série. Cette plaque est située à la base de la table de cuisson.

- Un circuit distinct de 30 A, 240 V, 60 Hz, CA seulement, monophasé, à trois ou quatre fils, est nécessaire.

- On recommande l'emploi d'un fusible ou d'un disjoncteur sur les deux conducteurs. La capacité du fusible ne doit pas dépasser la demande de courant maximale de l'appareil indiquée sur la plaque signalétique des numéros de modèle et de série.

- EFFECTUER LE RACCORD UNIQUEMENT DES CONDUCTEURS EN CUIVRE.

- La table de cuisson devrait être directement reliée à un coupe-circuit avec fusible (ou un disjoncteur) par l'intermédiaire d'un câble flexible à conducteurs de cuivre, blindé ou à gaine non métallique (à fil de liaison à la terre).

- Le câble blindé flexible devrait être connecté directement à la boîte de connexion.

- Fusionner les deux côtés du conducteur.

- Placer la boîte de connexion pour permettre autant d'écart que possible entre la boîte de connexion et la table de cuisson, pour que la table de cuisson à aspiration vers le bas puisse être déplacée si un entretien devient nécessaire.

- On doit installer un connecteur de conduit de 12,7 mm (1/2 po) (homologation U.L.) à la boîte de connexion.

On recommande un conducteur de cuivre de calibre minimum de 10.

Toutefois, la taille des fils et la configuration des connexions doivent satisfaire les prescriptions du Code national des installations électriques ANSI/NFPA 70 ou la dernière édition* de la norme ACNOR C22.1.94 / Code canadien des installations électriques (partie 1) et C22.2 No M91 - dernière édition**, et les prescriptions de tous les codes et règlements locaux en vigueur.

On peut obtenir des exemplaires des normes mentionnées auprès de :

* National Fire Protection Association
Batterymarch Park
Quincy, Massachusetts 02269

** Association canadienne de normalisation (CSA)
178 Rexdale Boulevard
Etobicoke, Ontario M9W 1R3

Le schéma de câblage se trouve à la base de la table de cuisson.

Les connecteurs vissables et les connecteurs de conduit 12,7 mm (1/2 po) (homologation UL) ne sont pas fournis.

Installation

1. Enlever les matériaux d'expédition et le ruban adhésif de la table de cuisson.

2. Le ventilateur est réglé pour évacuer l'air directement à l'arrière de la table de cuisson.

Pour évacuer l'air du côté gauche, du côté droit ou vers le bas à travers le plancher du placard, ajouter un coude au montage du ventilateur d'évacuation.

Il est possible qu'il soit plus facile de connecter le câble de l'appareil ménager à la boîte de connexion avant d'introduire la table de cuisson dans l'ouverture. Voir, "Raccordement électrique", page 7.

AVERTISSEMENT

Danger de poids excessif
Deux personnes ou plus doivent déplacer et installer la table de cuisson à aspiration vers le bas.
Le non-respect de cette instruction peut causer une blessure au dos ou d'autres blessures.

Soulever toute la table de cuisson lors du positionnement dans l'ouverture du comptoir.

3. Insérer la table de cuisson à aspiration vers le bas dans l'ouverture. Vérifier que :

- la table de cuisson est centrée dans l'ouverture.
- le bord avant de la table de cuisson à aspiration vers le bas se trouve à au moins 38,1 mm (1 1/2 po) du bord avant du comptoir et parallèle au comptoir.
- le bord arrière de la table de cuisson se trouve à au moins 19,1 mm (3/4 po) du mur arrière, tel que recommandé.
- le côté de la table de cuisson se trouve à au moins 15,2 cm (6 po) du mur latéral.

4. Connecter le système d'évacuation. Voir "Prescriptions concernant le système d'évacuation", pages 4 et 5. Avec du ruban adhésif pour conduit, sceller toutes les jointures. Le conduit d'évacuation doit se terminer par une bouche de décharge à travers le mur ou le toit à l'extérieur du bâtiment.

Raccordement électrique

⚠ AVERTISSEMENT



Risque de choc électrique

Déconnecter le courant électrique avant d'effectuer le raccordement des fils.

Utiliser un fil en cuivre solide de calibre 10.

La table de cuisson doit être électriquement reliée à la terre.

Le non-respect de ces instructions peut provoquer un décès, un incendie ou un choc électrique.

Cette table de cuisson doit être connectée à un câblage métallique permanent relié à la terre ou un conducteur de liaison à la terre doit être connecté à la borne de liaison à la terre ou au fil de liaison à la terre de la table de cuisson.

Cette table de cuisson comporte un fil de liaison à la terre vert ou nu, connecté au châssis. Connecter le câble de la table de cuisson à la boîte de connexion par l'intermédiaire d'un connecteur de conduit (homologation U.L.) de 12,7 mm (1/2 po). Compléter l'ensemble du raccordement électrique conformément aux dispositions des codes et règlements locaux.

5. Effectuer le raccordement électrique :

1. Déconnecter l'alimentation électrique.
2. Ôter le couvercle de la boîte de connexion à l'intérieur du placard.
3. Connecter le câble d'alimentation électrique de la table de cuisson à la boîte de jonction en utilisant un connecteur de conduit homologué U.L. Serrer les vis sur le connecteur de conduit.
4. Connecter ensemble les deux fils noirs avec des connecteurs vissables.
5. Connecter ensemble les deux fils rouges avec des connecteurs vissables.
6. Compléter le raccordement électrique conformément aux codes et règlements locaux. (Voir "Tableau de connexion des fils".)

Tableau de connexion des fils

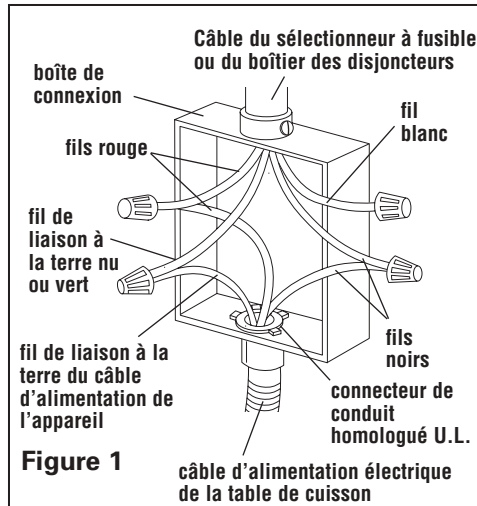


Figure 1

Lorsque les codes locaux NE LE PERMETTENT PAS, le raccordement du conducteur de liaison à la terre au conducteur neutre (blanc) de la boîte de connexion : (système à quatre fils)

7. Connecter le fil vert de liaison à la terre du câble d'alimentation au fil vert de la boîte de connexion ou autre connecteur de liaison à la terre au moyen d'un connecteur vissable. Voir Figure 1.
8. Visser un connecteur sur l'extrémité du fil blanc.
9. Réinstaller le couvercle de la boîte de connexion.

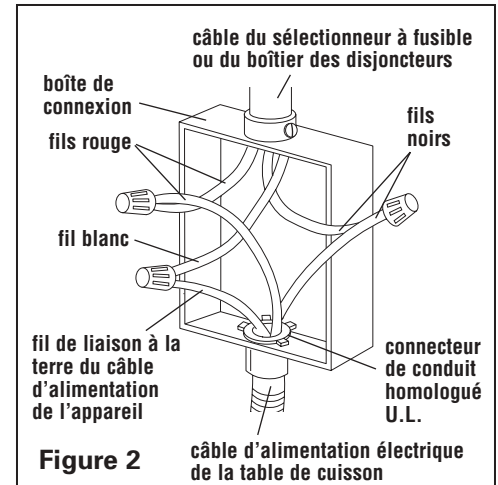


Figure 2

Lorsque les codes locaux PERMETTENT le raccordement du conducteur de liaison à la terre de la table de cuisson au fil neutre (blanc) de la boîte de connexion : (système à trois fils)

7. Connecter ensemble le fil vert du câble d'alimentation et le fil neutre (blanc) de la boîte de connexion à l'aide d'un connecteur vissable. Voir Figure 2.
8. Réinstaller le couvercle de la boîte de connexion.

Vérifier le fonctionnement

6. Rétablir le courant électrique.

7. Vérifier que les éléments de la surface de la table de cuisson chauffent et que les témoins lumineux fonctionnent correctement.

8. Vérifier que le système d'aspiration vers le bas fonctionne. Si la table de cuisson ne fonctionne pas, déconnecter la source de courant électrique et vérifier que les connexions des fils ont été effectuées correctement.

Vous avez terminé l'installation de votre nouvelle table de cuisson KitchenAid à aspiration vers le bas. Pour obtenir l'utilisation la plus efficace de votre nouvelle table de cuisson, veuillez lire le Guide d'utilisation et d'entretien. Conservez les instructions d'installation et le Guide à proximité de la table de cuisson pour en faciliter la consultation.

Dépose de la table de cuisson

S'il est nécessaire d'enlever la table de cuisson pour le nettoyage ou l'entretien :

1. Déconnecter l'alimentation électrique.
2. Déconnecter le système d'évacuation.
3. Soulever la table de cuisson hors du comptoir pour effectuer le nettoyage ou l'entretien.

Après le nettoyage et l'entretien :

1. Réinstaller la table de cuisson dans l'ouverture.
2. S'assurer que le bord avant de la table de cuisson est parallèle au bord avant du comptoir.
3. Connecter le système d'évacuation.
4. Connecter l'alimentation électrique.

Si la table de cuisson ne fonctionne pas :

- Vérifier que le disjoncteur ne n'est pas ouvert ou que le fusible n'est pas grillé.
- Vérifier que les connexions des fils sont intactes.
- Voir le Guide d'utilisation et d'entretien pour la liste de dépannage.

Si vous avez besoin d'assistance :

Le Centre d'assistance à la clientèle KitchenAid est accessible 24 heures par jour, 7 jours par semaine. Téléphoner au 1-800-422-1230. La communication est gratuite dans les limites du territoire continental des États-Unis. Au Canada, composer pour l'anglais, 1-(800) 461-5681 ou pour le français, 1-(800) 461-5703. Ou visitez notre site web www.kitchenaid.com.

Lors de l'appel, il vous faut connaître le numéro de modèle et le numéro de série de la table de cuisson. Les deux numéros se trouvent sur la plaque signalétique située à la base de la table de cuisson.

Si vous avez besoin de service :

Consulter votre Guide d'utilisation et d'entretien

Dans l'éventualité où votre appareil KitchenAid aurait besoin d'être réparé, téléphonez au marchand chez qui vous avez acheté l'appareil ou à un établissement de service désigné par KitchenAid. Un établissement de service désigné par KitchenAid est mentionné dans les Pages jaunes de votre annuaire téléphonique sous la rubrique "Appareils électroménagers - gros appareils - service et réparation."

Free Manuals Download Website

<http://myh66.com>

<http://usermanuals.us>

<http://www.somanuals.com>

<http://www.4manuals.cc>

<http://www.manual-lib.com>

<http://www.404manual.com>

<http://www.luxmanual.com>

<http://aubethermostatmanual.com>

Golf course search by state

<http://golfingnear.com>

Email search by domain

<http://emailbydomain.com>

Auto manuals search

<http://auto.somanuals.com>

TV manuals search

<http://tv.somanuals.com>