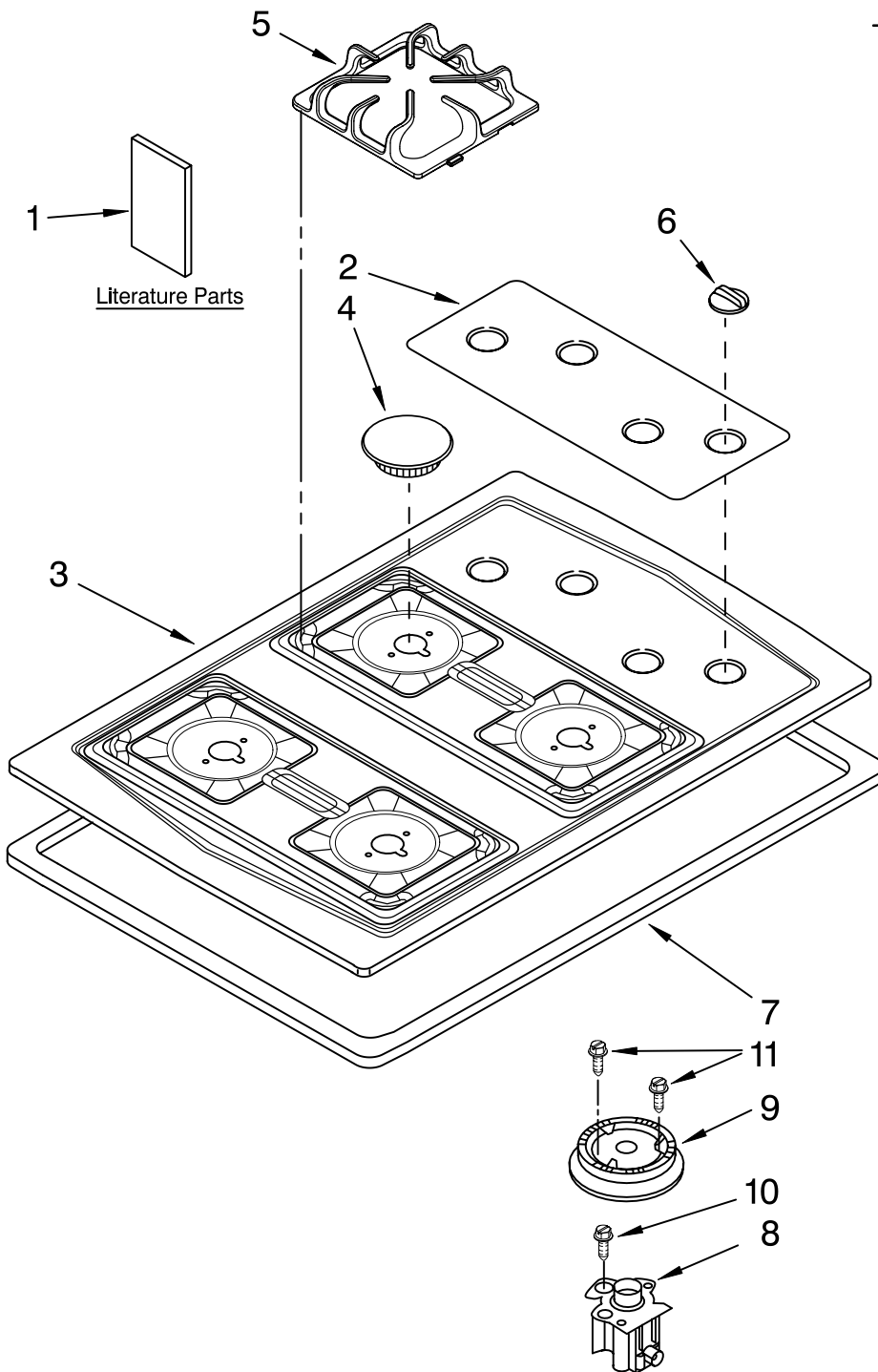


# COOKTOP, BURNER AND GRATE PARTS

For Models: ICS300RQ02, ICS300RS02  
(Designer White) (Stainless)

30" GAS COOKTOP

for  
**IKEA**<sup>®</sup>  
by  
WHIRLPOOL CORPORATION



Illus. No.	Part No.	DESCRIPTION
1	3192098	Literature Parts
	W10131955	Wiring Diagram
		Installation Instructions
	W10086230	Owners Manual
		Safe Cooking Tips
	3191638	English
	9759133	French
	9759440	LP Conversion Instructions
2	9759873	Panel, Control
	9759872	White
		Stainless
3		Cooktop
	3191243	White
	3191288	Stainless
4		Cap, Burner
		6K (1)
	3191898	Black
	3191899	Gray
		9.5K (2)
	3191901	Black
	3191903	Gray
		12.5K (1)
	3191904	Black
	3191905	Gray
5		Grate (4)
	9761231	Black
	9761232	Gray
6		Knob, Control (4)
	9758788	Black
	9758787	White
7	9760045	Seal, Foam
8		Holder, Orifice
		(Includes 13 & 14)
	4456621	Auxi
	4456620	Semi Rapid
	4456619	Rapid
9		Head, Burner
	4455979	RF
	9760037	LR, RR
	4455981	LF
10	4449809	Screw
11	3368921	Screw

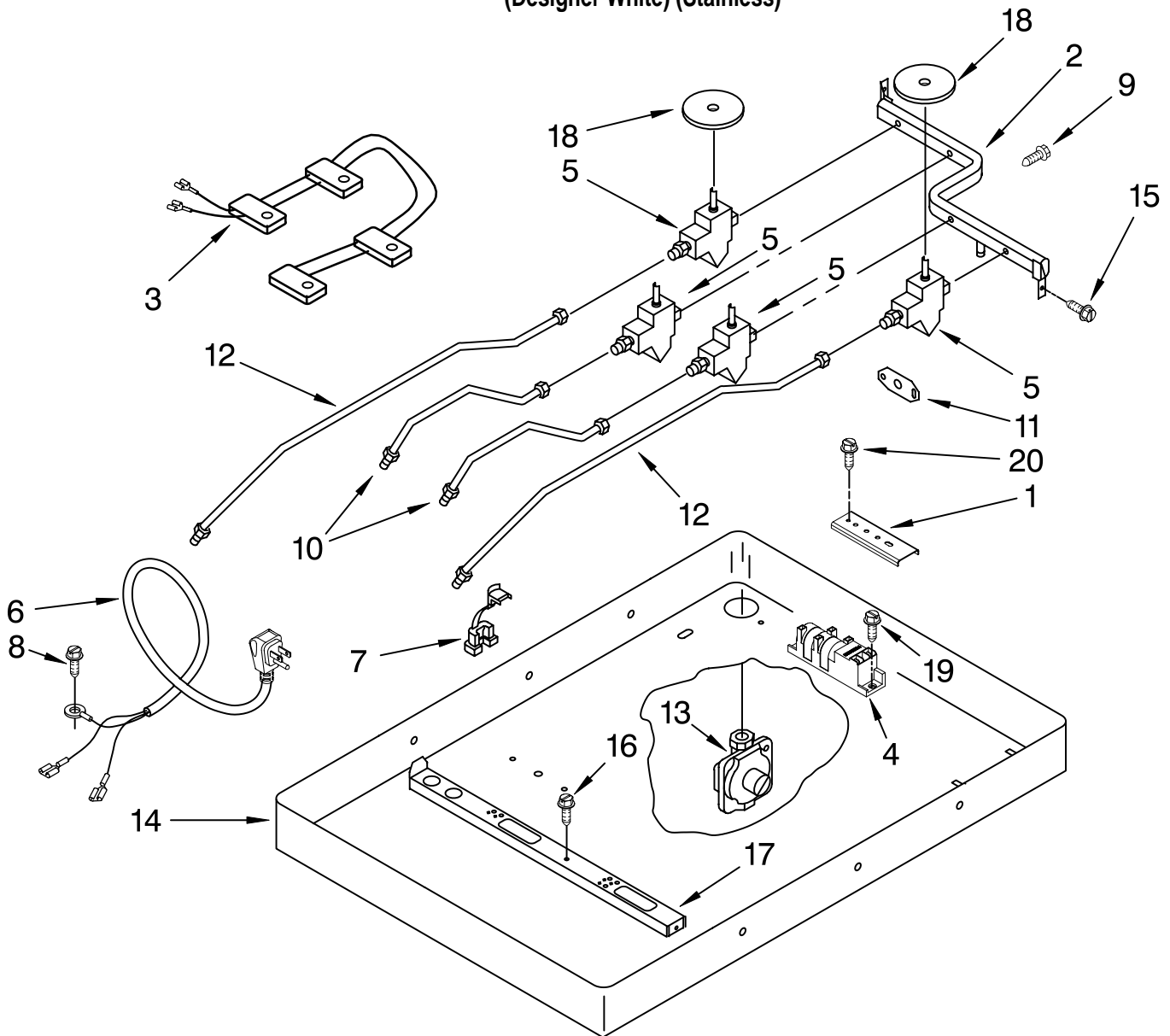
## Following Parts Not Illustrated

Harness, Wire Ignitor  
4456626 15"  
4456627 28"

FOR ORDERING INFORMATION REFER TO PARTS PRICE LIST

# BURNER BOX, GAS VALVES, AND SWITCHES

For Models: ICS300RQ02, ICS300RS02  
(Designer White) (Stainless)



Illus. No.	Part No.	DESCRIPTION
1	4455917	Bracket, (2) Cooktop mounting
2	9759354	Pipe, Manifold
3	4456905	Harness & Switches
4	8522423	Spark Module
5	4456817	Large (3)
	4456816	Small (1)
6	9763116	Power Cord
7	FE02349	Bushing, Cord
8	3177991	Screw, Ground

Illus. No.	Part No.	DESCRIPTION
9	8523704	Bolt, Gas Valve
10	3191318	Tubing, Burner RR & RF
11	3192491	Bracket, Manifold
12	3191320	Tubing, Burner LR & LF
13	W10131956	Regulator, Pressure
14	4456780	Box, Burner
15	3196160	Screw
16	4449809	Screw
17	8286099	Rail, Burner (2)

Illus. No.	Part No.	DESCRIPTION
18	3191387	Seal, (4) Switch Cover
19	3400843	Screw
20	3400093	Screw
Following Parts Not Illustrated and Optional Parts Not Included		
	3192741	Gas Conversion Kit (Natural Gas To LP Gas)

FOR ORDERING INFORMATION REFER TO PARTS PRICE LIST

## Free Manuals Download Website

<http://myh66.com>

<http://usermanuals.us>

<http://www.somanuals.com>

<http://www.4manuals.cc>

<http://www.manual-lib.com>

<http://www.404manual.com>

<http://www.luxmanual.com>

<http://aubethermostatmanual.com>

Golf course search by state

<http://golfingnear.com>

Email search by domain

<http://emailbydomain.com>

Auto manuals search

<http://auto.somanuals.com>

TV manuals search

<http://tv.somanuals.com>