

# KitchenAid® Commercial Style Gas Cooktop

FOR THE WAY IT'S MADE.®

## PRODUCT MODEL NUMBERS

KGCU407V	KGCU482V
KGCU462V	KGCU483V
KGCU463V	KGCU484V
KGCU467V	

### Type of Gas

#### Natural Gas:

This cooktop is design-certified by CSA International for use with Natural gas or, after proper conversion, for use with LP gas.

This cooktop is factory-set for use with Natural gas. To convert to LP gas, see the Gas Conversion instructions provided in the package containing literature. The model/serial rating plate located on the left underside of the cooktop burner base has information on the types of gas that can be used. If the types of gas listed do not include the type of gas available, check with the local gas supplier.

#### LP Gas conversion:

Conversion must be done by a qualified service technician. No attempt shall be made to convert the cooktop from the gas specified on the model/serial rating plate for use with a different gas without consulting the serving gas supplier. To convert to LP gas, use the LP gas conversion kit provided with the cooktop and see the "Gas Conversions" section.

#### Gas Supply Line

- Provide a gas supply line of ¾" (1.9 cm) rigid pipe to the cooktop location. A smaller size pipe on longer runs may result in insufficient gas supply. With LP gas, piping or tubing size can be ½" (1.3 cm) minimum. Usually, LP gas suppliers determine the size and materials used in the system.

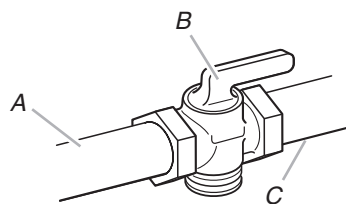
**NOTE:** Pipe-joint compounds that resist the action of LP gas must be used. Do not use TEFLON® tape.

Flexible metal appliance connector:

- If local codes permit, a new CSA design-certified, 4 - 5 ft (122 - 152.4 cm) long, 5/8" (1.6 cm) or ¾" (1.9 cm) I.D., flexible metal appliance connector may be used for connecting the cooktop to the gas supply line.



- Must include a shutoff valve: The supply line must be equipped with a manual shutoff valve. This valve should be located in the same room but external to the cooktop enclosure or cabinet. It should be in a location that allows ease of opening and closing. Do not block access to shutoff valve. The valve is for turning on or shutting off gas to the cooktop.



A. Gas supply line  
B. Shutoff valve "open" position  
C. To cooktop

### Electrical:

A 120-volt, 60-Hz, AC-only, 15-amp, fused electrical circuit is required. A time-delay fuse or circuit breaker is also recommended. It is recommended that a separate circuit serving only this cooktop be provided.

†TEFLON is a registered trademark of E.I. Du Pont De Nemours and Company.

## LOCATION REQUIREMENTS

**IMPORTANT:** Observe all governing codes and ordinances. Do not obstruct flow of combustion and ventilation air.

It is the installer's responsibility to comply with installation clearances specified on the model/serial rating plate. The model/serial rating plate is located on the underside of the cooktop burner base.

It is recommended that a 600 CFM or larger vent hood be installed above the cooktop.

It is not recommended that a microwave hood combination be mounted above the cooktop.

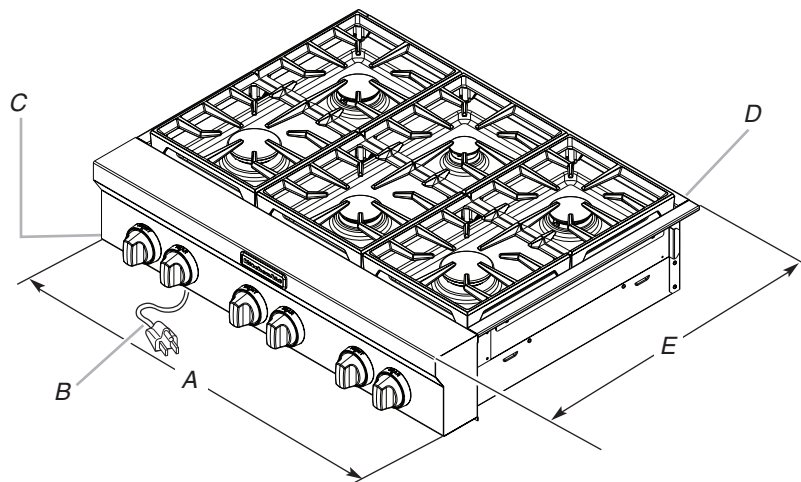
The cooktop should be installed in a location away from strong draft areas, such as windows, doors and strong heating vents or fans.

All openings in the wall or floor where cooktop is to be installed must be sealed.

Cabinet opening dimensions that are shown must be used. Given dimensions are minimum clearances.

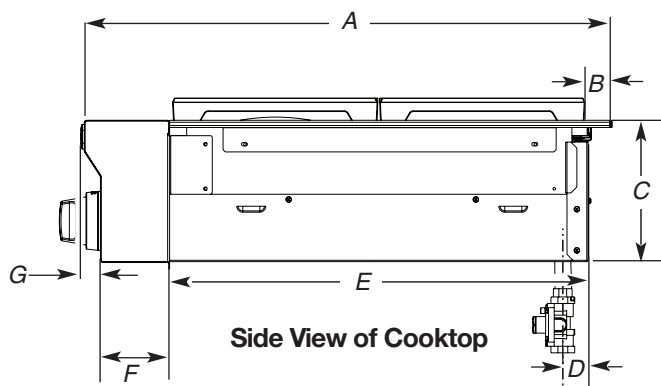
**IMPORTANT:** To avoid damage to your cabinets, check with your builder or cabinet supplier to make sure that the materials used will not discolor, delaminate or sustain other damage.

## PRODUCT DIMENSIONS



A. 30" (76.2 cm) cooktop: 29 7/8" (75.9 cm)  
36" (91.4 cm) cooktop: 35 7/8" (91.1 cm)  
48" (121.9 cm) cooktop: 47 7/8" (121.6 cm)  
B. 36" (91.4 cm) long 3 prong grounding-type power supply cord

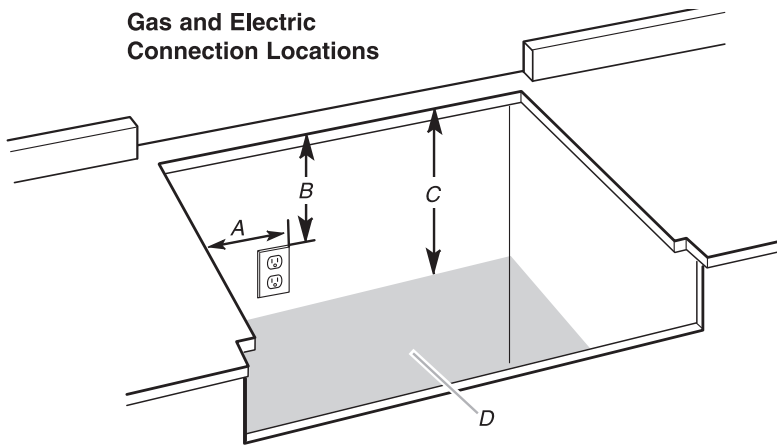
C. Model/serial rating plate (located on the underside of the cooktop burner base)  
D. Island trim or optional backguard  
E. 27 3/4" (70.5 cm)



A. 27 3/4" (70.5 cm)  
B. 1 1/4" (3.2 cm)  
C. 7 7/16" (18.8 cm)  
D. Gas inlet is located 1 7/8" (4.8 cm) from the back of the cooktop burner base and 4 7/8" (12.4 cm) in from left-hand side of the cooktop burner base.  
E. 22" (55.9 cm)  
F. 3 5/8" (9.2 cm)  
G. 1" (2.6 cm)

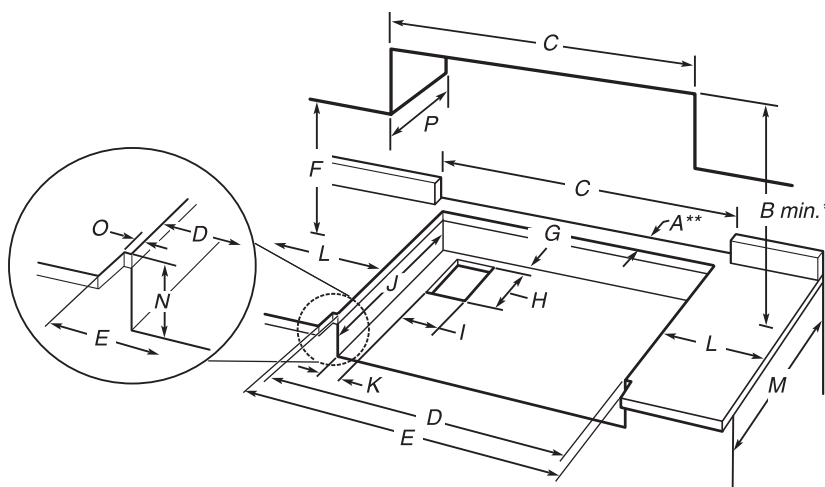
## CABINET REQUIREMENTS

### Gas and Electric Connection Locations



- A. Grounded 3-prong outlet should be located on left-hand side of the cutout 16" (40.6 cm) max. from enclosure sidewall
- B. 10" (25.4 cm) min. clearance from countertop to top of the outlet
- C. 14" (35.6 cm) countertop to the gas supply line
- D. Gas supply line should be located in this area on rear or side walls, or the supply line can come up through the floor.

**NOTE:** Solid side and bottom of cutout enclosure not shown.



- A. See chart.
- B. See chart.
- C. See chart.
- D. See chart.
- E. See chart.
- F. 18" (45.7 cm) min. clearance upper cabinet to countertop
- G. 3/4" (1.9 cm) back of cabinet cutout to gas opening cutout
- H. 6 7/8" (16.1 cm) gas opening cutout depth
- I. 12 1/2" (31.7 cm) gas opening cutout width
- J. 22 1/4" (56.5 cm) cabinet cutout depth
- K. 2" (5.1 cm) cabinet side to gas cutout
- L. 6" (15.2 cm) min. distance on both sides of the cooktop to the side wall or other combustible material above cooking surface
- M. 24" (61.0 cm) cabinet depth
- N. 7 1/4" (18.4 cm) cabinet depth to countertop
- O. Notch to be equal on both sides
- P. 13" (33.0 cm) upper cabinet depth

Size	Model	A** Cooktop Cutout to Back Wall	B* Cooktop to Cabinet	C Optional Backguard Opening	D Cabinet and Countertop	E Countertop Only
30" (76.2 cm)	KGCU407	1 3/4" (4.4 cm)**	30" (76.2 cm)	30" (76.2 cm)	29 1/4" (74.3 cm)	30" (76.2 cm) or 29 7/8" (75.9 cm) for zero clearance
36" (91.4 cm)	KGCU462	1 1/2" (3.8 cm)**	42" (106.7 cm)	36" (91.4 cm)	35 1/4" (89.5 cm)	36" (91.4 cm) or 35 7/8" (91.1 cm) for zero clearance
	KGCU463	1 3/4" (4.4 cm)				
	KGCU467	1 3/4" (4.4 cm)				
48" (121.9 cm)	KGCU482	1 1/2" (3.8 cm)**	42" (106.7 cm)	48" (121.9 cm)	47 1/4" (120.0 cm)	48" (121.9 cm) or 47 7/8" (121.6 cm) for zero clearance
	KGCU483	1 3/4" (4.4 cm)**				
	KGCU484	1 1/2" (3.8 cm)**				

**\*NOTES:** Dimension "B" can be reduced by 6" (15.2 cm) when bottom of wood or metal cabinet is covered by not less than 0.25" (6.4 mm) flame retardant millboard covered with not less than No. 28 MSG sheet metal, 0.015" (0.4 mm) stainless steel, 0.024" (0.6 mm) aluminum or 0.020" (0.5 mm) copper.

If installing a range hood above the cooktop, follow the range hood instructions for dimensional clearances above the cooktop surface.

**\*\*NOTE:** If backwall is constructed of a combustible material and a backguard is not installed, a minimum clearance of dimension A + 6" (15.2 cm) is required for 48" (121.9 cm) cooktops and cooktops with a grill.

## Free Manuals Download Website

<http://myh66.com>

<http://usermanuals.us>

<http://www.somanuals.com>

<http://www.4manuals.cc>

<http://www.manual-lib.com>

<http://www.404manual.com>

<http://www.luxmanual.com>

<http://aubethermostatmanual.com>

Golf course search by state

<http://golfingnear.com>

Email search by domain

<http://emailbydomain.com>

Auto manuals search

<http://auto.somanuals.com>

TV manuals search

<http://tv.somanuals.com>