

# KitchenAid®

---

## PRO LINE™ COMMERCIAL STYLE GAS COOKTOP

### Use & Care Guide

For questions about features, operation/performance, parts accessories or service, call: **1-800-422-1230**  
In Canada, call for assistance **1-800-461-5681**, for installation and service, call: **1-800-807-6777** or visit our website at...  
[www.kitchenaid.com](http://www.kitchenaid.com) or [www.KitchenAid.ca](http://www.KitchenAid.ca)

---

## TABLE DE CUISSON AU GAZ PROLINE™ STYLE COMMERCIAL

### Guide d'utilisation et d'entretien

Au Canada, pour assistance composez le **1-800-461-5681**, pour installation ou service composez le **1-800-807-6777** ou visitez notre site web à...  
[www.KitchenAid.ca](http://www.KitchenAid.ca)

---

Table of Contents/Table des matières..... 2



Models/Modèle KGCV465

8286612

# TABLE OF CONTENTS

COOKTOP SAFETY.....	2
PARTS AND FEATURES .....	4
COOKTOP USE.....	5
Cooktop Controls.....	5
Surface Burners .....	6
Dual Valve TripleTier™ Flame Burner with InstaWok™ Ring.....	8
Home Canning .....	8
Cookware .....	8
COOKTOP CARE.....	9
General Cleaning.....	9
TROUBLESHOOTING .....	9
ASSISTANCE OR SERVICE.....	10
WARRANTY .....	11

# TABLE DES MATIÈRES

SÉCURITÉ DE LA TABLE DE CUISSON .....	13
PIÈCES ET CARACTÉRISTIQUES .....	15
UTILISATION DE LA TABLE DE CUISSON .....	16
Commandes de la table de cuisson .....	16
Brûleurs de surface .....	17
Brûleur à double soupape TripleTier™ avec InstaWok™ .....	19
Préparation de conserves à la maison.....	19
Ustensiles de cuisson .....	19
ENTRETIEN DE LA TABLE DE CUISSON .....	20
Nettoyage général .....	20
DÉPANNAGE.....	21
ASSISTANCE OU SERVICE .....	21
GARANTIE.....	23

## COOKTOP SAFETY

### Your safety and the safety of others are very important.

We have provided many important safety messages in this manual and on your appliance. Always read and obey all safety messages.



This is the safety alert symbol.

This symbol alerts you to potential hazards that can kill or hurt you and others.

All safety messages will follow the safety alert symbol and either the word "DANGER" or "WARNING." These words mean:

**⚠ DANGER**

You can be killed or seriously injured if you don't immediately follow instructions.

**⚠ WARNING**

You can be killed or seriously injured if you don't follow instructions.

All safety messages will tell you what the potential hazard is, tell you how to reduce the chance of injury, and tell you what can happen if the instructions are not followed.

**WARNING:** If the information in this manual is not followed exactly, a fire or explosion may result causing property damage, personal injury or death.

- Do not store or use gasoline or other flammable vapors and liquids in the vicinity of this or any other appliance.
- **WHAT TO DO IF YOU SMELL GAS:**
  - Do not try to light any appliance.
  - Do not touch any electrical switch.
  - Do not use any phone in your building.
  - Immediately call your gas supplier from a neighbor's phone. Follow the gas supplier's instructions.
  - If you cannot reach your gas supplier, call the fire department.
- Installation and service must be performed by a qualified installer, service agency or the gas supplier.

## IMPORTANT SAFETY INSTRUCTIONS

**WARNING:** To reduce the risk of fire, electrical shock, injury to persons, or damage when using the cooktop, follow basic precautions, including the following:

- **CAUTION:** Do not store items of interest to children in cabinets above the cooktop – children climbing on the cooktop to reach items could be seriously injured.
- Proper Installation – The cooktop, when installed, must be electrically grounded in accordance with local codes or, in the absence of local codes, with the *National Electrical Code, ANSI/NFPA 70* or the *Canadian Electrical Code, Part 1*. Be sure the cooktop is properly installed and grounded by a qualified technician.
- This cooktop is equipped with a three-prong grounding plug for your protection against shock hazard and should be plugged directly into a properly grounded receptacle. Do not cut or remove the grounding prong from this plug.
- Disconnect the electrical supply before servicing the cooktop.
- Never Use the Cooktop for Warming or Heating the Room.
- Injuries may result from the misuse of the cooktop such as stepping, leaning, or sitting on the top surface.
- Maintenance – Keep cooktop area clear and free from combustible materials, gasoline, and other flammable vapors and liquids.
- Storage on the cooktop – Flammable materials should not be stored on or near surface units.
- Top burner flame size should be adjusted so it does not extend beyond the edge of the cooking utensil.

## SAVE THESE INSTRUCTIONS

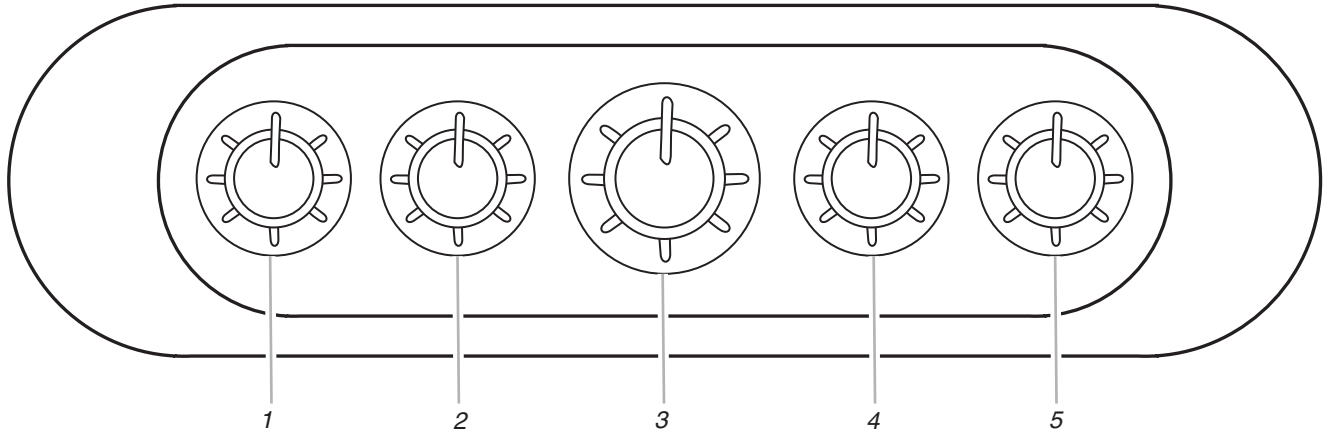
The California Safe Drinking Water and Toxic Enforcement Act requires the Governor of California to publish a list of substances known to the State of California to cause cancer, birth defects, or other reproductive harm, and requires businesses to warn of potential exposure to such substances.

**WARNING:** This product contains a chemical known to the State of California to cause cancer, birth defects, or other reproductive harm.

This appliance can cause low-level exposure to some of the substances listed, including benzene, formaldehyde, carbon monoxide, toluene, and soot.

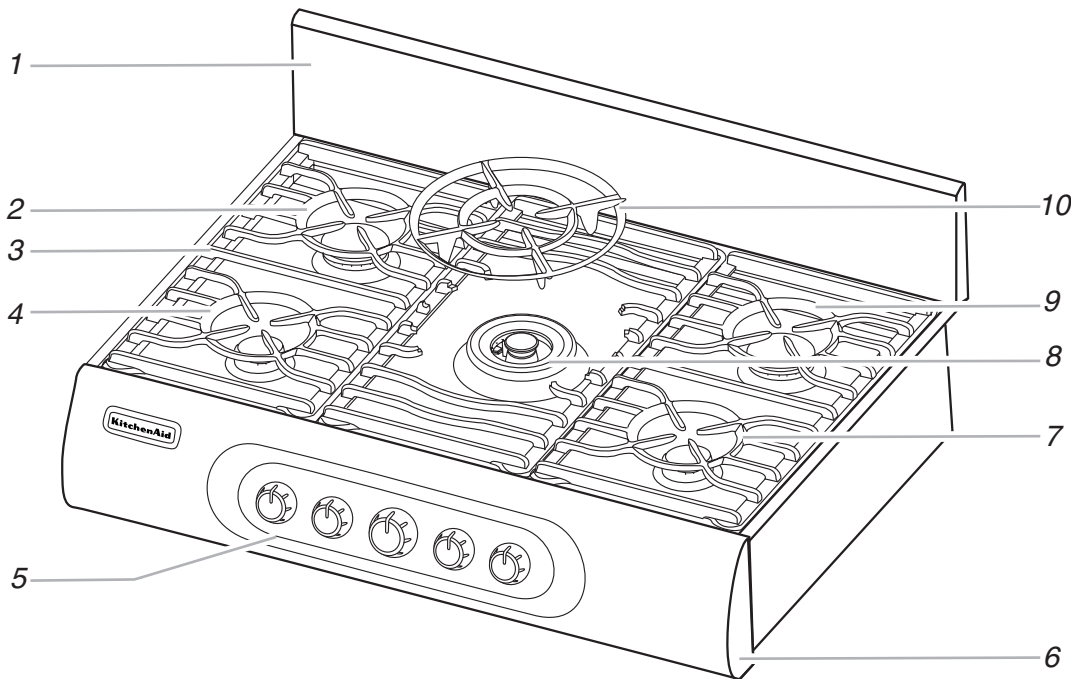
# PARTS AND FEATURES

## Control Panel



- 1. Left Front Control Knob (6K BTU)
- 2. Left Rear Control Knob (15K BTU)
- 3. Dual Valve TripleTier™ Flame Burner Knob (18K BTU)
- 4. Right Rear Control Knob (15K BTU)
- 5. Right Front Control Knob (6K BTU)

## Cooktop



- 1. Backsplash
- 2. Left Rear Burner (15K BTU)
- 3. Lateral Burner Grate
- 4. Left Front Burner (6K BTU)
- 5. Control Panel
- 6. Slots
- 7. Right Front Burner (6K BTU)
- 8. Dual Valve TripleTier™ Flame Burner (18K BTU)
- 9. Right Rear Burner (15K BTU)
- 10. InstaWok™ Ring

# COOKTOP USE

## Cooktop Controls

### **⚠ WARNING**



#### Fire Hazard

**Do not let the burner flame extend beyond the edge of the pan.**

**Turn off all controls when not cooking.**

**Failure to follow these instructions can result in death or fire.**

**IMPORTANT:** Your cooktop is factory set for use with Natural Gas. If you wish to use L.P. Gas, an L.P. Gas Conversion Kit is included with your new cooktop. See the instructions included with the L.P. Gas Conversion Kit for details on making this conversion.

Electric igniters automatically light the surface burners when control knobs are turned to LITE.

The TripleTier™ Flame Burner (18,000 BTU [British Thermal Units]) provides the highest heat setting, and is ideal for cooking large quantities of food or liquid, using large pots and pans.

The medium burners (15,000 BTU) provide the high heat setting, and are ideal for cooking large quantities of food or liquid, using larger pots and pans.

The small burners (6,000 BTU) allow more accurate simmer control at the lowest setting, and are ideal for cooking smaller quantities of food, using smaller pots and pans.

Before setting a control knob, place filled cookware on the grate. Do not operate a burner while using empty cookware or without any cookware on the grate.

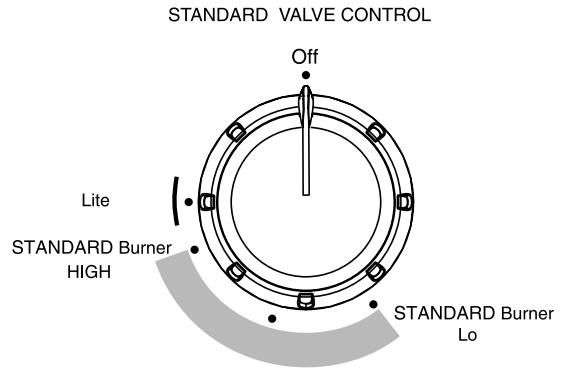
**NOTE:** Visually check that the burner has lit. If the burner does not ignite, listen for a clicking sound. If you do not hear the igniter click, TURN THE BURNER OFF. Check for a tripped circuit breaker or blown fuse.

Check that the control knob is pressed completely down on the valve shaft. If the spark igniter still does not operate, call a trained repair specialist.

Proper grounding and polarity are necessary for correct operation of the electric ignition system. If the wall receptacle does not provide correct polarity, the igniters will become grounded and occasionally click, even after the burner has ignited. Contact a trained repair specialist to check the wall receptacle to see whether it is wired with the correct polarity.

**REMEMBER:** When cooktop is in use, the entire cooktop area may become hot.

## Standard Valve Control

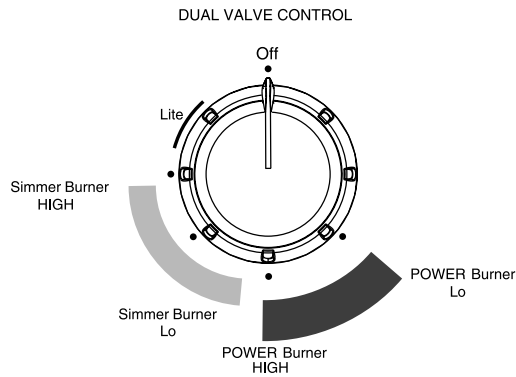


### To Set:

1. Push in and turn knob counterclockwise to LITE.  
All surface burners will click. Only the burner with the control knob turned to LITE will produce a flame.
2. Turn knob anywhere between HI and LO. Use the following chart as a guide when setting heat levels.

SETTING	RECOMMENDED USE
LITE	■ Light the burner.
HI	■ Start food cooking. ■ Bring liquid to a boil.
MED to HI	■ Hold a rapid boil. ■ Quickly brown or sear food.
MED	■ Fry or sauté foods. ■ Hold a slow boil.
MED to LO	■ Cook soups, sauces and gravies. ■ Stew or steam foods.
LO	■ Keep food warm. ■ Melt chocolate or butter. ■ Simmer.

## Dual Valve TripleTier™ Burner Control



### To Set:

1. Push in and turn knob counterclockwise to LITE.  
All surface burners will click. Only the simmer burner with the control knob turned to LITE will produce a flame.
2. Turn knob anywhere between SIMMER BURNER HI and LO.
3. Push in and turn knob counterclockwise to POWER BURNER HIGH. All three rings will produce a flame.
4. Turn knob anywhere between POWER BURNER HI and POWER BURNER LO.

Use the following chart as a guide when setting heat levels.

SETTING	RECOMMENDED USE
LITE	<ul style="list-style-type: none"> <li>■ Light the burner.</li> </ul>
SIMMER BURNER HI	<ul style="list-style-type: none"> <li>■ Cook soups, sauces and gravies.</li> <li>■ Stew or steam foods.</li> </ul>
SIMMER BURNER LO	<ul style="list-style-type: none"> <li>■ Keep food warm.</li> <li>■ Melt chocolate or butter.</li> <li>■ Simmer.</li> </ul>
POWER BURNER HI	<ul style="list-style-type: none"> <li>■ Start food cooking.</li> <li>■ Bring liquid to a boil.</li> <li>■ WOK cooking.</li> </ul>
POWER BURNER MED	<ul style="list-style-type: none"> <li>■ Hold a rapid boil.</li> <li>■ Quickly brown or sear food.</li> </ul>
POWER BURNER LO	<ul style="list-style-type: none"> <li>■ Fry or sauté foods.</li> <li>■ Hold a slow boil.</li> </ul>

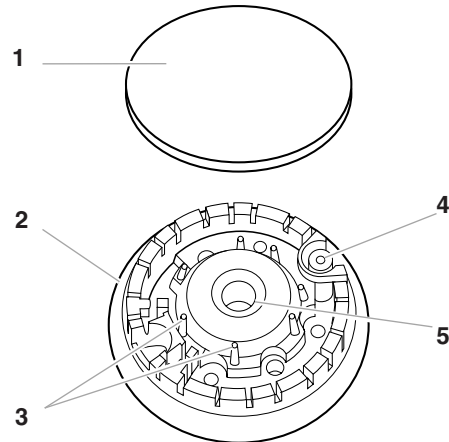
## Surface Burners

**IMPORTANT:** Do not obstruct the flow of combustion and ventilation air around the burner grate edges. Before cleaning, make sure all controls are off and the oven and cooktop are cool. Do not use oven cleaners, bleach or rust removers.

### Burner Cap Alignment

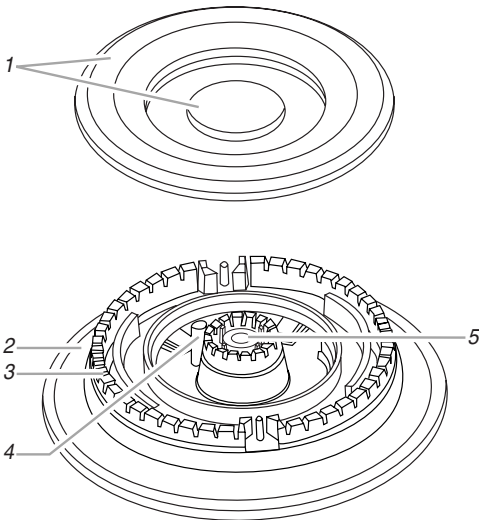
Always keep the burner cap in place when using a surface burner. A clean burner cap will help prevent poor ignition and uneven flames. Always clean the burner cap after a spillover and routinely remove and clean the caps according to the "General Cleaning" section.

### Standard Burner



1. Burner cap
2. Burner base
3. Alignment pins
4. Igniter
5. Gas tube opening

## Dual Valve TripleTier™ Flame Burner

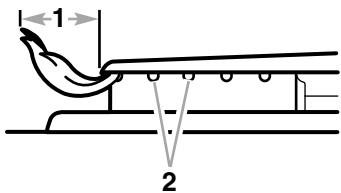


1. Dual Valve TripleTier™ Flame Burner Caps
2. Burner base
3. Alignment pins
4. Igniter
5. Gas tube opening

### Gas tube opening

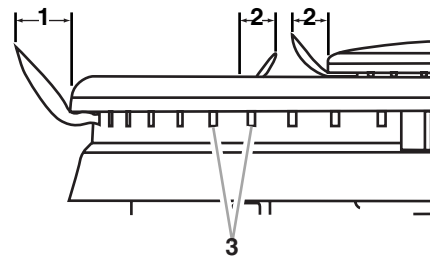
Gas must flow freely throughout the gas tube opening for the burner to light properly. Keep this area free of soil and do not allow spills, food, cleaning agents or any other material to enter the gas tube opening. Protect it from spill overs by always using a burner cap.

### Standard Burner



1. 1-1½ in. (25-38 mm)
2. Burner ports

## TripleTier™ Flame Burner



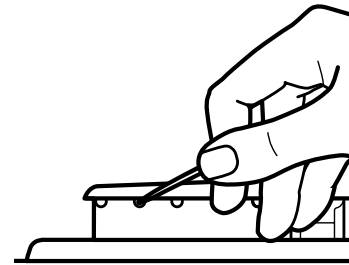
1. ¼ in. (19.1 mm)
2. ⅜ in. (9.53 mm)
3. Burner ports

### Burner ports

Check burner flames occasionally for proper size and shape as shown above. A good flame is blue in color, not yellow. Keep this area free of soil and do not allow spills, food, cleaning agents or any other material to enter the burner ports.

### To Clean:

1. Remove the burner cap from the burner base and clean according to "General Cleaning" section.
2. Clean the gas tube opening with a damp cloth.
3. Clean clogged burner ports with a straight pin as shown. Do not enlarge or distort the port. Do not use a wooden toothpick. If the burner needs to be adjusted, contact a trained repair specialist.



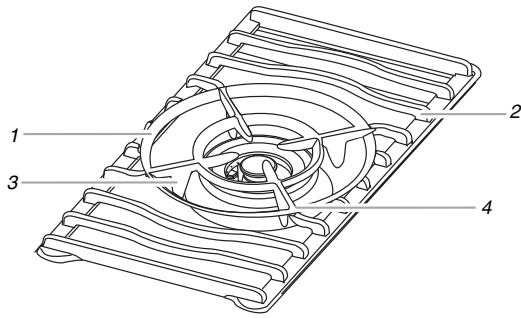
4. Replace the burner cap, making sure the alignment pins on the cap are properly aligned with the burner base.



1. Incorrect
2. Correct

5. Turn on the burner. If the burner does not light, check cap alignment. If the burner still does not light, do not service the sealed burner yourself. Contact a trained repair specialist.

## Dual Valve TripleTier™ Flame Burner with InstaWok™ Ring



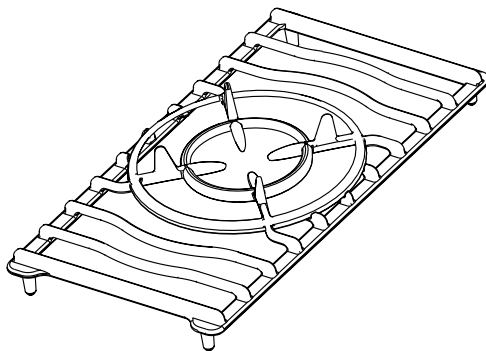
1. InstaWok™ Ring
2. Grid Base
3. WOK Supports
4. Support Guides

The Dual Valve TripleTier™ Flame Burner with InstaWok™ Ring is a multifunction burner that provides the best simmering and the maximum power all in the same burner. The InstaWok™ Ring supports 12 in. to 14 in. (30.5 cm to 35.6 cm) WOK pans.

The Dual Valve TripleTier™ Flame Burner with InstaWok™ Ring is functioned by a Dual Valve Control knob, which controls two separate burners. See “Dual Valve Control” section.

### To Use the InstaWok™ Ring:

1. Make sure the control knob is in the OFF position.
2. Allow the grate to cool completely before handling.
3. Remove grate from cooktop and flip the grate over so that the WOK supports are facing right-side up.



4. Place the wok Ring within the guides.

## Home Canning

When canning for long periods, alternate the use of surface cooking areas, elements or surface burners between batches. This allows time for the most recently used areas to cool.

- Center the canner on the grate or largest surface cooking area or element. Canners should not extend more than 1 in. (2.5 cm) outside the cooking area.
- Do not place canner on two surface cooking areas, elements or surface burners at the same time.
- For more information, contact your local U.S. Government Agricultural Department Extension Office. In Canada, contact Agriculture Canada. Companies that manufacture home canning products can also offer assistance.

## Cookware

**IMPORTANT:** Never leave empty cookware on a hot surface cooking area, element or surface burner.

Ideal cookware should have a flat bottom, straight sides, a well-fitting lid and the material should be of medium-to-heavy thickness.

Rough finishes may scratch the cooktop. Aluminum and copper may be used as a core or base in cookware. However, when used as a base they can leave permanent marks on the cooktop or grates.

Cookware material is a factor in how quickly and evenly heat is transferred, which affects cooking results. A nonstick finish has the same characteristics as its base material. For example, aluminum cookware with a nonstick finish will take on the properties of aluminum.

Use the following chart as a guide for cookware material characteristics.

COOKWARE	CHARACTERISTICS
<b>Aluminum</b>	<ul style="list-style-type: none"> <li>■ Heats quickly and evenly.</li> <li>■ Suitable for all types of cooking.</li> <li>■ Medium or heavy thickness is best for most cooking tasks.</li> </ul>
<b>Cast iron</b>	<ul style="list-style-type: none"> <li>■ Heats slowly and evenly.</li> <li>■ Good for browning and frying.</li> <li>■ Maintains heat for slow cooking.</li> </ul>
<b>Ceramic or Ceramic glass</b>	<ul style="list-style-type: none"> <li>■ Follow manufacturer's instructions.</li> <li>■ Heats slowly, but unevenly.</li> <li>■ Ideal results on low to medium heat settings.</li> </ul>
<b>Copper</b>	<ul style="list-style-type: none"> <li>■ Heats very quickly and evenly.</li> </ul>
<b>Earthenware</b>	<ul style="list-style-type: none"> <li>■ Follow manufacturer's instructions.</li> <li>■ Use on low heat settings.</li> </ul>
<b>Porcelain enamel-on-steel or cast iron</b>	<ul style="list-style-type: none"> <li>■ See stainless steel or cast iron.</li> </ul>
<b>Stainless steel</b>	<ul style="list-style-type: none"> <li>■ Heats quickly, but unevenly.</li> <li>■ A core or base of aluminum or copper on stainless steel provides even heating.</li> </ul>



---

# COOKTOP CARE

---

## General Cleaning

**IMPORTANT:** Before cleaning, make sure all controls are off and the cooktop is cool. Always follow label instructions on cleaning products.

Soap, water and a soft cloth or sponge are suggested first unless otherwise noted.

---

### EXTERIOR PORCELAIN ENAMEL SURFACES

---

Food spills containing acids, such as vinegar and tomato, should be cleaned as soon as the entire appliance is cool. These spills may affect the finish.

- Glass cleaner, mild liquid cleaner or nonabrasive scrubbing pad: Gently clean around the model and serial number plate because scrubbing may remove numbers.

---

### STAINLESS STEEL

---

Do not use soap-filled scouring pads, abrasive cleaners, Cooktop Polishing Creme, steel-wool pads, gritty washcloths or some paper towels. Damage may occur.

Rub in direction of grain to avoid damaging.

- Stainless Steel Cleaner & Polish: See “Assistance or Service” section to order.
- Liquid detergent or all-purpose cleaner: Rinse with clean water and dry with soft, lint-free cloth.
- Vinegar for hard water spots

---

### PORCELAIN-COATED GRATES AND CAPS

---

Food spills containing acids, such as vinegar and tomato, should be cleaned as soon as the cooktop, grates and caps are cool. These spills may affect the finish.

To avoid chipping, do not bang grates and caps against each other or hard surfaces such as cast iron cookware.

Do not reassemble caps on burners while wet.

Do not clean in the Self-Cleaning cycle.

Do not clean in dishwasher.

- Nonabrasive pad and mildly abrasive cleanser: Clean as soon as cooktop, grates and caps are cool.

---

### SURFACE BURNERS

---

See “Surface Burners” section.

---

### CONTROL KNOBS

---

Do not use steel wool, abrasive cleansers or oven cleaner.

Do not soak knobs.

When replacing knobs, make sure knobs are in the OFF position.

Do not remove seals under knobs.

- Soap and water or dishwasher: Pull knobs straight away from control panel to remove.

---

### CONTROL PANEL

---

Do not use abrasive cleaners, steel-wool pads, gritty washcloths or some paper towels. Damage may occur.

- Soap and water. Wash, rinse and dry with a soft cloth.
- Glass cleaner and soft cloth or sponge: Apply glass cleaner to soft cloth or sponge, not directly on panel.

---

### INSTAWOK™ RING

---

Food spills containing acids, such as vinegar and tomato, should be cleaned as soon as the cooktop, grates and caps are cool. These spills may affect the finish.

To avoid chipping, do not bang grate against hard surfaces such as cast iron cookware.

Do not clean in the Self-Cleaning cycle.

Do not clean in dishwasher.

- Nonabrasive pad and mildly abrasive cleanser: Clean as soon as cooktop, grates and caps are cool.

---

# TROUBLESHOOTING

Try the solutions suggested here first in order to avoid the cost of an unnecessary service call.

---

### Nothing will operate

---

- **Has a household fuse been blown or has the circuit breaker been tripped?** Replace the fuse or reset the circuit.

---

### Surface burners will not operate

---

- **Is this the first time the surface burners have been used?** Turn on any one of the surface burner knobs to release air from the gas lines.
- **Is the control knob set correctly?** Push in knob before turning to a setting.
- **Are the burner ports clogged?** See “Surface Burners” section.
- **Are the cooktop airflow ventilation louvers blocked?** Make sure the louvers are free of any obstruction. Blocking the ventilation louvers will cause poor burner operation.

---

### Surface burner flames are uneven, yellow and/or noisy

---

- **Are the burner ports clogged?** See “Sealed Surface Burners” section.
- **On models with caps, are the burner caps positioned properly?** See “Surface Burners” section.
- **Is the burner damaged?** On models with caps, look for a warped cap. If cap will not spin freely on a flat surface, painted side down, the cap is warped. Switch cap with a different surface burner to check for further warping. Contact a trained repair specialist.
- **Is propane gas being used?** The appliance may have been converted improperly. Contact a trained repair specialist.

---

### Surface burner makes popping noises

---

- **Is the burner wet?** Let it dry.

---

### Burner sparks but does not light

---

- **Is there continuous sparking, but the burner does not light?** Discontinue use of the surface burner and contact a service technician.

---

### Excessive heat around cookware on cooktop

---

- **Is the cookware the proper size?** Use cookware about the same size as the surface cooking area, element or surface burner. Cookware should not extend more than 1 in. (2.5 cm) outside the cooking area.

---

### Cooktop cooking results not what expected

---

- **Is the proper cookware being used?** See “Cookware” section.
- **Is the control knob set to the proper heat level?** See “Cooktop Controls” section.
- **Is the appliance level?** Level the appliance. See the Installation Instructions.

---

## ASSISTANCE OR SERVICE

Before calling for assistance or service, please check “Troubleshooting.” It may save you the cost of a service call. If you still need help, follow the instructions below.

When calling, please know the purchase date and the complete model and serial number of your appliance. This information will help us to better respond to your request.

### If you need replacement parts

If you need to order replacement parts, we recommend that you only use factory specified parts. These factory specified parts will fit right and work right because they are made with the same precision used to build every new KITCHENAID® appliance.

To locate factory specified parts in your area, call our Customer Interaction Center telephone number or your nearest KitchenAid designated service center.

---

## In the U.S.A.

Call the KitchenAid Customer Interaction Center toll free:

**1-800-422-1230.**

### Our consultants provide assistance with:

- Features and specifications on our full line of appliances.
- Installation information.
- Accessory and repair parts sales.
- Specialized customer assistance (Spanish speaking, hearing impaired, limited vision, etc.).
- Referrals to local dealers, repair parts distributors, and service companies. KitchenAid designated service technicians are trained to fulfill the product warranty and provide after-warranty service, anywhere in the United States.

To locate the KitchenAid designated service company in your area, you can also look in your telephone directory Yellow Pages.

### For further assistance

If you need further assistance, you can write to KitchenAid with any questions or concerns at:

KitchenAid Brand Home Appliances  
Customer Interaction Center  
553 Benson Road  
Benton Harbor, MI 49022-2692

Please include a daytime phone number in your correspondence.

### Accessories U.S.A.

To order accessories, call the KitchenAid Customer Interaction Center toll free at **1-800-442-9991** and follow the menu prompts. Or visit our website at [www.kitchenaid.com](http://www.kitchenaid.com) and click on “Shop-Online,” then “Accessories.”

---

## In Canada

For product related questions, please call the KitchenAid Canada Customer Interaction Center toll free: **1-800-461-5681**

Monday to Friday 8:00 a.m. - 6:00 p.m. (EST).

Saturday 8:30 a.m. - 4:30 p.m. (EST).

### Our consultants provide assistance with:

- Features and specifications on our full line of appliances.
- Referrals to local dealers.

### For parts, accessories and service in Canada

Call **1-800-807-6777**. KitchenAid designated service technicians are trained to fulfill the product warranty and provide after-warranty service, anywhere in Canada.

### For further assistance

If you need further assistance, you can write to KitchenAid Canada with any questions or concerns at:

Customer Interaction Center  
KitchenAid Canada  
1901 Minnesota Court  
Mississauga, Ontario L5N 3A7

Please include a daytime phone number in your correspondence.

---

# KITCHENAID® COOKTOP WARRANTY

---

## ONE YEAR LIMITED WARRANTY

For one year from the date of purchase, when this major appliance is operated and maintained according to instructions attached to or furnished with the product, KitchenAid or KitchenAid Canada (hereafter "KitchenAid") will pay for factory specified parts and repair labor to correct defects in materials or workmanship. Service must be provided by a KitchenAid designated service company.

---

## SECOND THROUGH FIFTH YEAR LIMITED WARRANTY ON CERTAIN COMPONENT PARTS

In the second through fifth years from the date of purchase, when this appliance is operated and maintained according to instructions attached to or furnished with the product, KitchenAid or KitchenAid Canada will pay for factory specified parts for the following components if defective in materials or workmanship:

- Electric elements
  - Gas burners
  - Solid state touch control system parts
  - Any cracking of the rubber seal between the ceramic glass cooktop and porcelain edge
  - Any cracking due to thermal shock of the ceramic glass cooktop
  - Surface unit elements
- 

## ITEMS KITCHENAID WILL NOT PAY FOR

1. Service calls to correct the installation of your major appliance, to instruct you how to use your major appliance, to replace or repair house fuses or to correct house wiring or plumbing.
  2. Service calls to repair or replace appliance light bulbs, air filters or water filters. Those consumable parts are excluded from warranty coverage.
  3. Repairs when your major appliance is used for other than normal, single-family household use.
  4. Damage resulting from accident, alteration, misuse, abuse, fire, flood, acts of God, improper installation, installation not in accordance with electrical or plumbing codes, or use of products not approved by KitchenAid.
  5. Replacement parts or repair labor costs for units operated outside the United States or Canada.
  6. Pickup and delivery. This major appliance is designed to be repaired in the home.
  7. Repairs to parts or systems resulting from unauthorized modifications made to the appliance.
  8. Expenses for travel and transportation for product service in remote locations.
  9. The removal and reinstallation of your appliance if it is installed in an inaccessible location or is not installed in accordance with published installation instructions.
- 

## DISCLAIMER OF IMPLIED WARRANTIES; LIMITATION OF REMEDIES

CUSTOMER'S SOLE AND EXCLUSIVE REMEDY UNDER THIS LIMITED WARRANTY SHALL BE PRODUCT REPAIR AS PROVIDED HEREIN. IMPLIED WARRANTIES, INCLUDING WARRANTIES OF MERCHANTABILITY OR FITNESS FOR A PARTICULAR PURPOSE, ARE LIMITED TO ONE YEAR OR THE SHORTEST PERIOD ALLOWED BY LAW. KITCHENAID SHALL NOT BE LIABLE FOR INCIDENTAL OR CONSEQUENTIAL DAMAGES. SOME STATES AND PROVINCES DO NOT ALLOW THE EXCLUSION OR LIMITATION OF INCIDENTAL OR CONSEQUENTIAL DAMAGES, OR LIMITATIONS ON THE DURATION OF IMPLIED WARRANTIES OF MERCHANTABILITY OR FITNESS, SO THESE EXCLUSIONS OR LIMITATIONS MAY NOT APPLY TO YOU. THIS WARRANTY GIVES YOU SPECIFIC LEGAL RIGHTS AND YOU MAY ALSO HAVE OTHER RIGHTS, WHICH VARY FROM STATE TO STATE OR PROVINCE TO PROVINCE.

Outside the 50 United States and Canada, this warranty does not apply. Contact your authorized KitchenAid dealer to determine if another warranty applies.

If you need service, first see the "Troubleshooting" section of the Use & Care Guide. After checking "Troubleshooting," additional help can be found by checking the "Assistance or Service" section or by calling KitchenAid. In the U.S.A., call **1-800-422-1230**. In Canada, call **1-800-807-6777**.

9/05

---

**Keep this book and your sales slip together for future reference. You must provide proof of purchase or installation date for in-warranty service.**

Write down the following information about your major appliance to better help you obtain assistance or service if you ever need it. You will need to know your complete model number and serial number. You can find this information on the model and serial number label located on the product.

Dealer name \_\_\_\_\_

Address \_\_\_\_\_

Phone number \_\_\_\_\_

Model number \_\_\_\_\_

Serial number \_\_\_\_\_

Purchase date \_\_\_\_\_

---

## Notes

# SÉCURITÉ DE LA TABLE DE CUISSON

## Votre sécurité et celle des autres est très importante.

Nous donnons de nombreux messages de sécurité importants dans ce manuel et sur votre appareil ménager. Assurez-vous de toujours lire tous les messages de sécurité et de vous y conformer.



Voici le symbole d'alerte de sécurité.

Ce symbole d'alerte de sécurité vous signale les dangers potentiels de décès et de blessures graves à vous et à d'autres.

Tous les messages de sécurité suivront le symbole d'alerte de sécurité et le mot "DANGER" ou "AVERTISSEMENT". Ces mots signifient :

**⚠ DANGER**

Risque possible de décès ou de blessure grave si vous ne suivez pas immédiatement les instructions.

**⚠ AVERTISSEMENT**

Risque possible de décès ou de blessure grave si vous ne suivez pas les instructions.

Tous les messages de sécurité vous diront quel est le danger potentiel et vous disent comment réduire le risque de blessure et ce qui peut se produire en cas de non-respect des instructions.

**AVERTISSEMENT : Pour votre sécurité, les renseignements dans ce manuel doivent être observés pour réduire au minimum les risques d'incendie ou d'explosion ou pour éviter des dommages au produit, des blessures ou un décès.**

- Ne pas entreposer ni utiliser de l'essence ou d'autres vapeurs ou liquides inflammables à proximité de cet appareil ou de tout autre appareil électroménager.
- QUE FAIRE DANS LE CAS D'UNE ODEUR DE GAZ :
  - Ne pas tenter d'allumer un appareil.
  - Ne pas toucher à un commutateur électrique.
  - Ne pas utiliser le téléphone se trouvant sur les lieux.
  - Appeler immédiatement le fournisseur de gaz d'un téléphone voisin. Suivre ses instructions.
  - À défaut de joindre votre fournisseur de gaz, appeler les pompiers.
- L'installation et l'entretien doivent être effectués par un installateur qualifié, une agence de service ou le fournisseur de gaz.

# IMPORTANTES INSTRUCTIONS DE SÉCURITÉ

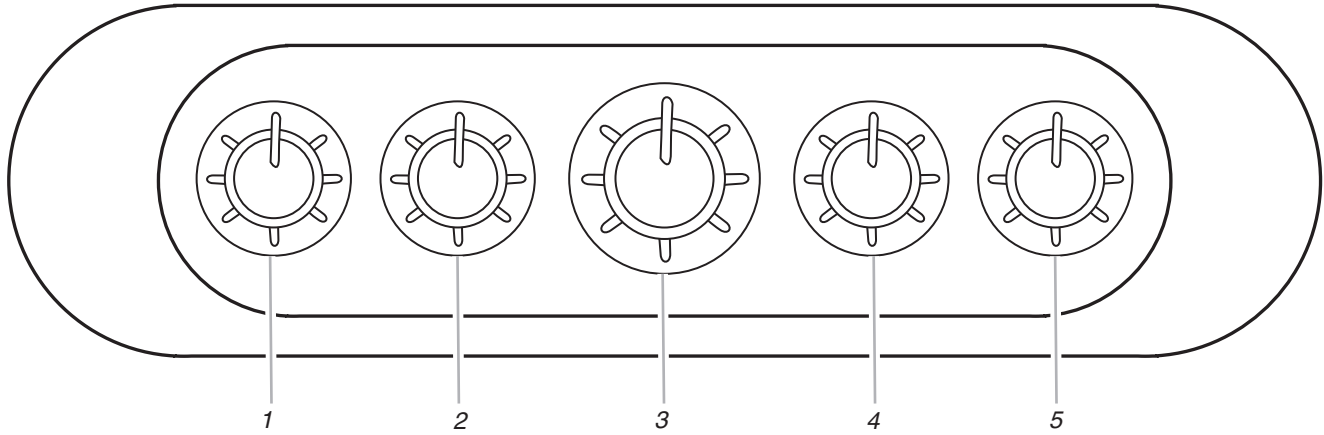
**AVERTISSEMENT** : Pour réduire le risque d'incendie, de choc électrique, de blessures ou de dommages lors de l'utilisation de la table de cuisson, il convient d'observer certaines précautions élémentaires dont les suivantes :

- **MISE EN GARDE** – Ne pas remiser dans des armoires au-dessus de la table de cuisson, des objets que des enfants pourraient vouloir atteindre. Les enfants pourraient se blesser gravement en grimant sur la table de cuisson.
- Installation appropriée – La table de cuisson lorsqu'elle est correctement installée doit être reliée à la terre conformément aux codes locaux ou, en l'absence de codes locaux, selon le *Code national électrique, ANSI/NFPA70* ou le *Code canadien des installations électriques, Partie 1*. S'assurer que la table de cuisson est correctement installée et reliée à la terre par un technicien qualifié.
- La table de cuisson est munie d'une fiche de liaison à la terre à trois broches pour votre protection contre les risques de choc électrique et doit être branchée directement dans une prise de courant bien reliée à la terre. Ne pas couper ni enlever la broche de liaison à la terre de cette fiche.
- Débrancher l'alimentation électrique avant d'exécuter des réparations à la table de cuisson.
- Ne pas utiliser la table de cuisson comme source de chauffage ou de réchauffage d'une pièce.
- Des blessures peuvent survenir du mauvais usage de la table de cuisson tel que se tenir debout sur la surface, se pencher ou s'asseoir sur le dessus de la surface.
- Entretien – Garder l'espace autour de la table de cuisson dégagé et exempt de matériaux combustibles, d'essence et d'autres vapeurs et liquides inflammables.
- Remisage sur la table de cuisson – Des produits inflammables ne doivent pas être remisés sur ou près des éléments de surface.
- La taille de la flamme des brûleurs de surface devrait être ajustée de sorte qu'elle ne dépasse pas le bord d'un ustensile de cuisson.

## CONSERVEZ CES INSTRUCTIONS

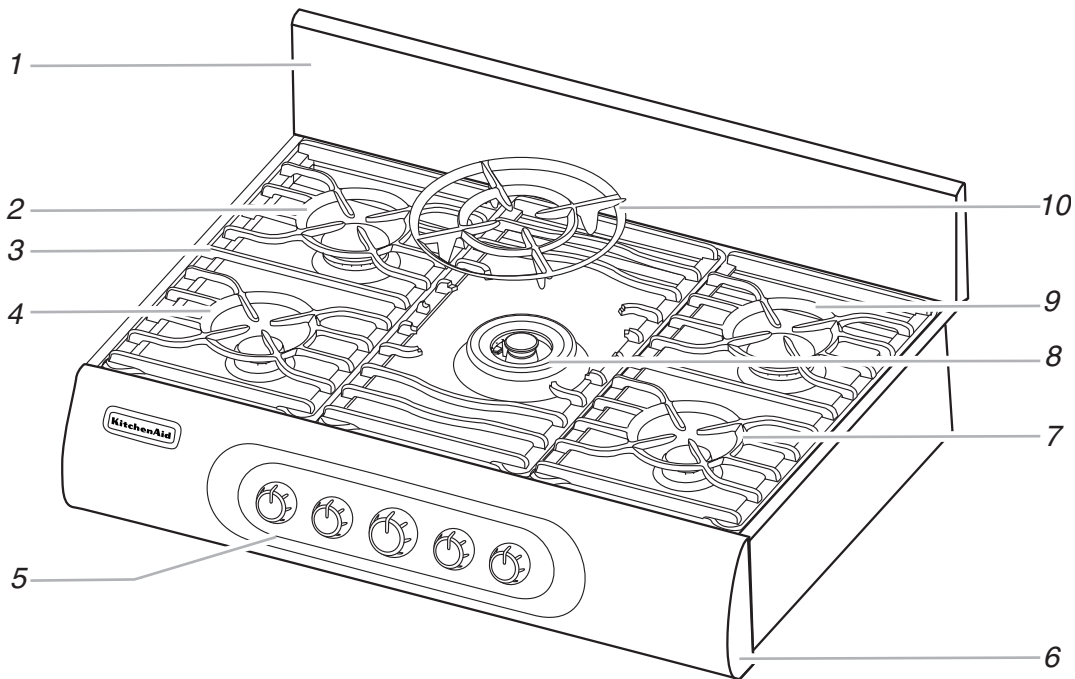
# PIÈCES ET CARACTÉRISTIQUES

## Tableau de commande



1. Bouton de commande avant gauche (6K BTU)
2. Bouton de commande arrière gauche (15K BTU)
3. Bouton de commande à double soupape TripleTier™ (18K BTU)
4. Bouton de commande arrière droit (15K BTU)
5. Bouton de commande avant droit (6K BTU)

## Table de cuisson



1. Dossieret
2. Brûleur arrière gauche (15K BTU)
3. Grille de brûleur latéral
4. Brûleur avant gauche (6K BTU)
5. Tableau de commande
6. Fentes
7. Brûleur avant droit (6K BTU)
8. Brûleur TripleTier™ (18K BTU)
9. Brûleur arrière droit (15K BTU)
10. Anneau InstaWok™ pour WOK

# UTILISATION DE LA TABLE DE CUISSON

## Commandes de la table de cuisson

### ⚠️ AVERTISSEMENT



#### Risque d'incendie

**La flamme d'un brûleur ne devrait pas dépasser le bord du récipient de cuisson.**

**Fermer tous les réglages lorsque la cuisson est terminée.**

**Le non-respect de ces instructions peut causer un décès ou un incendie.**

**IMPORTANT :** Votre table de cuisson est réglée à l'usine pour l'utilisation au gaz naturel. Si on désire utiliser du gaz propane, un ensemble de conversion au gaz propane est inclus avec la nouvelle cuisinière. Voir les instructions incluses avec l'ensemble de conversion au gaz propane pour des détails au sujet de cette conversion.

Les allumeurs électriques allument automatiquement les brûleurs de surface lorsque les boutons de commande sont tournés sur LITE.

Le brûleur TripleTier™ (18K BTU [British Thermal Units]) procure le plus haut réglage de chaleur et est idéal pour la cuisson de grandes quantités d'aliments ou de liquides dans de grandes marmites et casseroles.

Les brûleurs moyens (15K BTU) procurent le réglage de chaleur élevée et sont parfaits pour la cuisson de grandes quantités d'aliments ou de liquides dans de grandes marmites et casseroles.

Les petits brûleurs (6K BTU) permettent un contrôle plus précis du mijotage au réglage le plus bas et sont parfaits pour la cuisson de plus petites quantités d'aliments, en utilisant des marmites et casseroles plus petites.

Avant de régler un bouton de commande, placer l'ustensile de cuisson rempli sur la grille. Ne pas faire fonctionner un brûleur avec un ustensile vide ou sans un ustensile dessus.

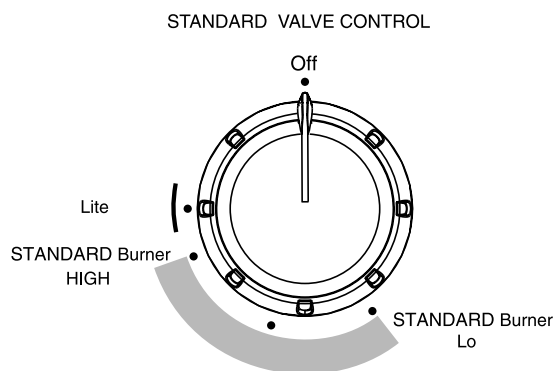
**REMARQUE :** Vérifier visuellement que le brûleur est allumé. Si le brûleur ne s'allume pas, attendre qu'il y ait un dé clic. Si le dé clic ne se fait pas entendre, ÉTEINDRE LE BRÛLEUR. Vérifier si le disjoncteur ne s'est pas déclenché ou si un fusible n'est pas grillé.

S'assurer que le bouton de commande est enfoncé complètement sur la tige de la soupape. Si l'allumeur ne fonctionne toujours pas, faire venir un technicien de réparation qualifié.

La liaison à la terre et la polarité appropriées sont nécessaires pour le bon fonctionnement du système d'allumage électrique. Si la prise de courant murale ne fournit pas la polarité correcte, l'allumeur sera relié à la terre et pourra occasionnellement émettre un dé clic, même après que le brûleur est allumé. Faire vérifier la prise murale par un technicien de réparation qualifié pour voir si la polarité du câblage est correcte.

**N'OUBLIEZ PAS :** Quand l'appareil est utilisé, toute la surface de la table de cuisson peut devenir chaude.

## Commande de soupape standard



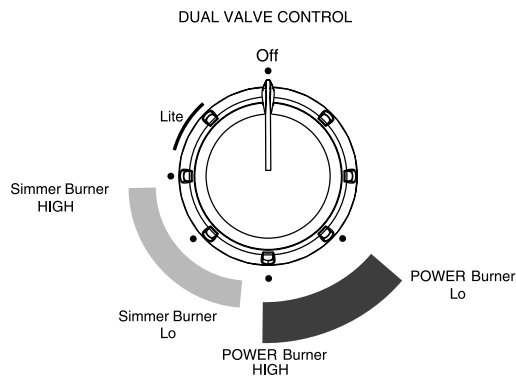
### Réglage :

- Pousser et tourner le bouton dans le sens inverse des aiguilles d'une montre sur LITE (allumage).  
Tous les brûleurs de surface émettront un dé clic. Seul le brûleur dont le bouton est tourné à LITE s'allumera.
- Tourner le bouton n'importe où entre HI et LO (élevée et basse). Utiliser le tableau suivant comme guide lors du réglage des niveaux de chaleur.

RÉGLAGE	UTILISATION RECOMMANDÉE
LITE	■ Pour allumer le brûleur.
HI	■ Pour commencer la cuisson des aliments. ■ Pour porter un liquide à ébullition.
MED à HI	■ Pour maintenir une ébullition rapide. ■ Pour brunir ou saisir rapidement les aliments.
MED	■ Pour frire ou faire sauter les aliments. ■ Pour maintenir une ébullition lente.
MED à LO	■ Pour cuire les soupes et les sauces. ■ Pour mijoter ou étuver les aliments.
LO	■ Pour garder les aliments au chaud. ■ Pour faire fondre le chocolat ou le beurre. ■ Pour faire mijoter lentement.



## Brûleur TripleTier™ commande à double soupape



### Réglage :

1. Pousser et tourner le bouton dans le sens contraire des aiguilles d'une montre sur LITE.  
Tous les brûleurs de surface émettront un déclic. Seul le brûleur dont le bouton est tourné sur LITE produira une flamme.
2. Tourner le bouton n'importe où entre SIMMER BURNER HI et LO.
3. Pousser et tourner le bouton dans le sens inverse des aiguilles d'une montre sur POWER BURNER HIGH (brûleur à puissance élevée). Les 3 anneaux produiront une flamme.
4. Tourner le bouton n'importe où entre POWER BURNER HI et POWER BURNER LO (brûleur à puissance élevée et brûleur à puissance basse)

Utiliser le tableau suivant comme guide lors du réglage des niveaux de chaleur..

RÉGLAGE	UTILISATION RECOMMANDÉE
<b>LITE</b>	<ul style="list-style-type: none"> <li>■ Pour allumer le brûleur.</li> </ul>
<b>SIMMER BURNER HI</b>	<ul style="list-style-type: none"> <li>■ Pour cuire les soupes et les sauces.</li> <li>■ Pour mijoter ou étuver les aliments.</li> </ul>
<b>SIMMER BURNER LO</b>	<ul style="list-style-type: none"> <li>■ Pour garder les aliments au chaud.</li> <li>■ Pour faire fondre le chocolat ou le beurre.</li> <li>■ Pour faire mijoter lentement.</li> </ul>
<b>POWER BURNER HI</b>	<ul style="list-style-type: none"> <li>■ Pour commencer la cuisson des aliments.</li> <li>■ Pour porter un liquide à ébullition.</li> <li>■ Cuisson avec WOK.</li> </ul>
<b>POWER BURNER MED</b>	<ul style="list-style-type: none"> <li>■ Pour maintenir une ébullition rapide.</li> <li>■ Pour brunir ou saisir rapidement les aliments.</li> </ul>
<b>POWER BURNER LO</b>	<ul style="list-style-type: none"> <li>■ Pour frire ou sauter les aliments.</li> <li>■ Pour maintenir une ébullition lente.</li> </ul>

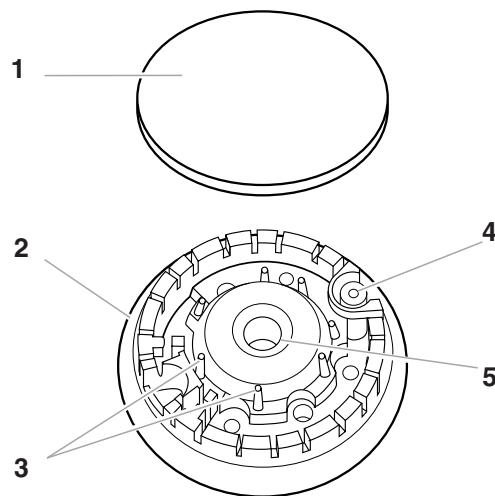
## Brûleurs de surface

**IMPORTANT :** Ne pas entraver l'évacuation de l'air de combustion et de ventilation autour des bords des grilles de brûleur. Avant le nettoyage, s'assurer que toutes les commandes sont éteintes et que le four et la table de cuisson sont froids. Ne pas utiliser de nettoyeurs à four, d'eau de Javel ou de décapants à rouille.

### Alignement des chapeaux de brûleur

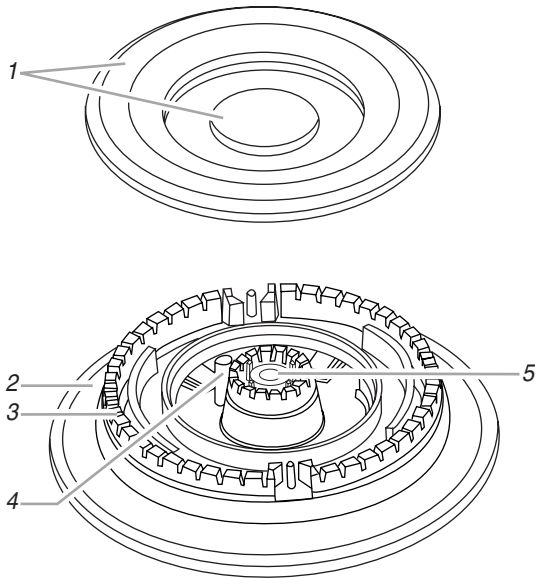
Toujours garder le chapeau de brûleur en place lorsqu'un brûleur de surface est utilisé. Un chapeau de brûleur propre empêche le mauvais allumage et des flammes inégales. Toujours nettoyer le chapeau du brûleur après un renversement de produits et enlever et nettoyer régulièrement les chapeaux tel qu'indiqué à la section "Nettoyage général".

### Brûleur standard



1. Chapeau de brûleur
2. Base du brûleur
3. Tiges d'alignement
4. Allumeur
5. Ouverture du tube d'arrivée de gaz

## Brûleur TripleTier™

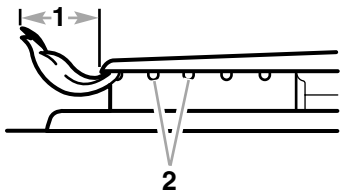


1. Chapeau de brûleur TripleTier™
2. Base du brûleur
3. Tiges d'alignement
4. Allumeur
5. Ouverture du tube d'arrivée de gaz

### Ouverture du tube d'arrivée de gaz

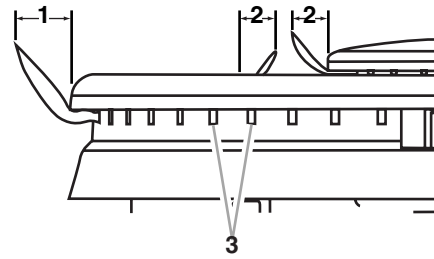
Pour que la flamme s'allume convenablement, il faut que le gaz puisse passer librement à travers l'orifice. Garder cette zone propre et ne pas laisser les produits renversés, les aliments, les agents de nettoyage ou tout autre produit pénétrer dans l'ouverture du tube d'arrivée de gaz. La protéger contre les renversements en utilisant toujours un chapeau de brûleur.

### Brûleur standard



1. 1 1/2 po (25-38 mm)
2. Orifices de brûleur

## Brûleur TripleTier™



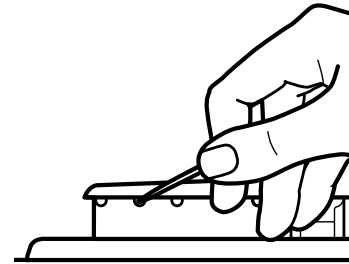
1. 3/4 po (19,1 mm)
2. 3/8 po (9,53 mm)
3. Orifices de brûleur

### Orifices de brûleur

Examiner occasionnellement les flammes des brûleurs pour en vérifier la taille et la forme tel qu'indiqué ci-dessus. Une bonne flamme est bleue plutôt que jaune. Garder cette zone propre et ne pas laisser les produits renversés, les aliments, les agents de nettoyage ou tout autre produit pénétrer dans les orifices de brûleur.

### Nettoyage :

1. Enlever le chapeau de brûleur de la base du brûleur et nettoyer tel qu'indiqué à la section "Nettoyage général".
2. Nettoyer l'ouverture de tube d'arrivée de gaz avec un chiffon humide.
3. Nettoyer les orifices de brûleur obstrués avec une épingle droite tel qu'indiqué. Ne pas agrandir ni déformer l'orifice. Ne pas utiliser un cure-dents en bois. Si le brûleur a besoin d'être ajusté, contacter un technicien de réparation qualifié.



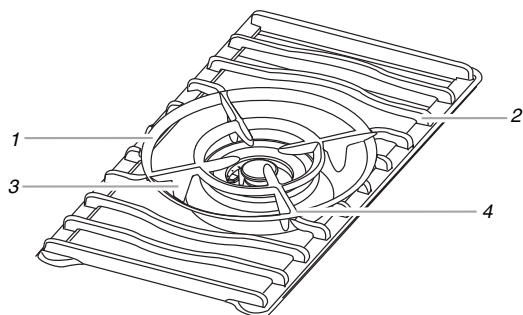
4. Réinstaller le chapeau du brûleur et s'assurer que les tiges d'alignement sur le chapeau sont bien alignées avec la base du brûleur.



1. Incorrect
2. Correct

5. Allumer le brûleur. Si le brûleur ne s'allume pas, vérifier l'alignement du chapeau. Si le brûleur ne s'allume toujours pas, ne pas faire vous-même l'entretien d'un brûleur scellé. Contacter un technicien de réparation qualifié.

## Brûleur à double soupape TripleTier™ avec InstaWok™



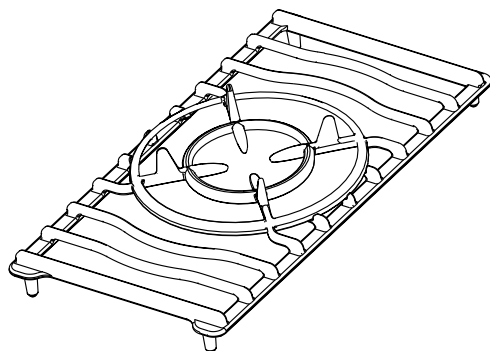
1. Anneau InstaWok™
2. Base quadrillée
3. Supports de WOK
4. Guides de support

Le brûleur à double soupape TripleTier™ avec InstaWok™ est un brûleur multifonction qui procure la meilleure puissance de mijotage et la puissance maximale dans le même brûleur. Le InstaWok™ supporte les WOK de 12 à 14 po (30,5 cm à 35,6 cm).

Le brûleur à double soupape TripleTier™ avec InstaWok™ est activé par une commande à double soupape, laquelle commande deux brûleurs distincts. Voir la section "Commande à double soupape".

### Utilisation du InstaWok™ :

1. S'assurer que le bouton de commande est à la position OFF (arrêt).
2. Laisser la grille refroidir complètement avant de la manipuler.
3. Enlever la grille de la surface de cuisson et retourner la grille de sorte que les supports du WOK sont du côté à l'endroit vers le haut.



4. Placer l'anneau du wok à l'intérieur des guides.

## Préparation de conserves à la maison

Lors de la préparation de conserves pendant de longues périodes, alterner l'utilisation des surfaces de cuisson, des éléments ou des brûleurs de surface entre les quantités préparées. Cette alternance permet aux dernières surfaces utilisées de refroidir.

- Centrer l'autoclave sur la grille ou la plus grande surface de cuisson ou sur le plus grand élément. L'autoclave ne doit pas dépasser de plus de 1 po (2,5 cm) la surface externe de cuisson.

- Ne pas placer l'autoclave sur deux surfaces de cuisson, deux éléments ou deux brûleurs de surface à la fois.
- Pour plus de renseignements, aux É.-U., contacter le bureau local du Département de l'Agriculture. Au Canada, contacter Agriculture Canada. Les compagnies qui fabriquent des produits pour la préparation de conserves peuvent aussi offrir de l'aide.

## Ustensiles de cuisson

**IMPORTANT :** Ne jamais laisser un ustensile de cuisson vide sur une surface de cuisson, un élément ou un brûleur de surface chauds.

Pour être efficaces, les ustensiles de cuisson doivent avoir un fond plat, des parois droites, un couvercle qui ferme correctement et le matériau doit être d'épaisseur moyenne à forte.

Les finitions rugueuses peuvent égratigner la table de cuisson. L'aluminium et le cuivre peuvent être utilisés comme fond ou base d'un ustensile de cuisson. Toutefois, lorsqu'ils sont utilisés comme base, ils peuvent laisser des marques permanentes sur la surface de cuisson ou les grilles.

Le matériau d'un ustensile a une influence sur la rapidité et l'uniformité de la transmission de la chaleur, lesquelles contribuent aux résultats de cuisson. Une finition antiadhésive a les mêmes caractéristiques que son matériau de base. Par exemple, un ustensile de cuisson en aluminium avec un fini antiadhésif aura les propriétés de l'aluminium.

Utiliser le tableau suivant comme guide pour les caractéristiques du matériau d'ustensile de cuisson.

USTENSILE	CARACTÉRISTIQUES
<b>Aluminium</b>	<ul style="list-style-type: none"> <li>■ Chauffe rapidement et uniformément.</li> <li>■ Convient à tous les genres de cuisson.</li> <li>■ L'épaisseur moyenne ou forte convient le mieux pour la plupart des tâches de cuisson.</li> </ul>
<b>Fonte</b>	<ul style="list-style-type: none"> <li>■ Chauffe lentement et uniformément.</li> <li>■ Convient pour le brunissage et la friture.</li> <li>■ Maintient la chaleur pour une cuisson lente.</li> </ul>
<b>Céramique ou vitrocéramique</b>	<ul style="list-style-type: none"> <li>■ Suivre les instructions du fabricant.</li> <li>■ Chauffe lentement, mais inégalement.</li> <li>■ Les meilleurs résultats sont obtenus sur les réglages de chaleur basse à moyenne.</li> </ul>
<b>Cuivre</b>	<ul style="list-style-type: none"> <li>■ Chauffe très rapidement et uniformément.</li> </ul>
<b>Terre cuite</b>	<ul style="list-style-type: none"> <li>■ Suivre les instructions du fabricant.</li> <li>■ Utiliser des réglages de température basse.</li> </ul>
<b>Acier émaillé en porcelaine ou fonte émaillée</b>	<ul style="list-style-type: none"> <li>■ Voir acier inoxydable ou fonte.</li> </ul>
<b>Acier inoxydable</b>	<ul style="list-style-type: none"> <li>■ Chauffe rapidement, mais inégalement.</li> <li>■ Un fond ou une base d'aluminium ou de cuivre sur l'acier inoxydable procure un chauffage égal.</li> </ul>

# ENTRETIEN DE LA TABLE DE CUISSON

## Nettoyage général

**IMPORTANT :** Avant le nettoyage, s'assurer que toutes les commandes sont désactivées et que la table de cuisson est froide. Toujours suivre les instructions sur les étiquettes des produits de nettoyage.

Du savon, de l'eau et un chiffon doux ou une éponge sont recommandés à moins d'indication contraire.

### SURFACES EXTERNES EN ÉMAIL VITRIFIÉ

Les renversements d'aliments contenant des acides, tels que vinaigre et tomates, doivent être nettoyés une fois que toute la surface est froide. Ces renversements peuvent affecter la finition.

- Nettoyant à vitre, nettoyant liquide doux ou tampon de récurage non abrasif : Nettoyer doucement autour de la plaque signalétique des numéros de modèle et de série car le frottage pourrait en effacer les chiffres.

### ACIER INOXYDABLE

Ne pas utiliser de tampons de récurage savonneux, nettoyants abrasifs, crème à polir pour table de cuisson, tampons en laine d'acier, chiffons de lavage rudes ou certains essuie-tout. Des dommages peuvent survenir.

Frotter dans la direction du grain pour éviter les dommages.

- Nettoyant et poli pour acier inoxydable : Voir la section "Assistance ou service" pour passer une commande.
- Détergent liquide ou nettoyant tout-usage : Rincer à l'eau propre et sécher avec un chiffon doux sans charpie.
- Vinaigre pour les taches d'eau dure.

### GRILLES ET CHAPEAUX ÉMAILLÉS

Les renversements d'aliments contenant des acides, tels que vinaigre et tomates, doivent être nettoyés dès que la table de cuisson, les grilles et les chapeaux sont refroidis. Ces renversements peuvent affecter la finition.

Pour éviter l'écaillement, ne pas entrechoquer les grilles et les chapeaux ni les frapper contre des surfaces dures telles que les ustensiles en fonte.

Ne pas réinstaller les chapeaux sur les brûleurs quand ils sont mouillés.

Ne pas les nettoyer au moyen du programme d'autonettoyage.

Ne pas les nettoyer dans le lave-vaisselle.

- Tampon non abrasif et produit de nettoyage légèrement abrasif : Nettoyer dès que la table de cuisson, les grilles et les chapeaux sont refroidis.

### BRÛLEURS DE SURFACE

#### Modèles à brûleurs scellés

Voir la section "Brûleurs de surface".

### BOUTONS DE COMMANDE

Ne pas utiliser de la laine d'acier, des produits de nettoyage abrasifs ou un nettoyeur à four.

Ne pas immerger les boutons de commande.

Lors de la réinstallation des boutons, s'assurer que chaque bouton est sur la position OFF (arrêt).

Ne pas enlever les joints sous les boutons.

- Savon et eau ou lave-vaisselle : Tirer les boutons directement hors du tableau de commande pour les enlever.

### TABLEAU DE COMMANDE

Ne pas utiliser des nettoyants abrasifs, tampons en laine d'acier, chiffons de lavage rudes ou certains essuie-tout. Des dommages peuvent survenir.

- Savon et eau.  
Laver, rincer et sécher avec un chiffon doux.
- Nettoyant à vitre et chiffon doux ou éponge : Appliquer le nettoyant à vitre sur un chiffon doux ou une éponge, et non pas directement sur le tableau.

### ANNEAU INSTAWOK™

Les renversements d'aliments contenant des acides, tels que le vinaigre et les tomates, doivent être nettoyés aussitôt que la table de cuisson, les grilles et les chapeaux ont refroidi. Ces renversements peuvent affecter la finition.

Pour éviter les éclats, ne pas heurter la grille contre des surfaces dures telles que les ustensiles en fonte.

Ne pas nettoyer par programme d'autonettoyage.

Ne pas laver au lave-vaisselle.

- Tampon non-abrasif et nettoyant doux abrasif : nettoyer aussitôt que la surface de cuisson, les grilles et les chapeaux ont refroidi.

# DÉPANNAGE

Essayer les solutions suggérées ici d'abord afin d'éviter le coût d'une visite de service non nécessaire.

## Rien ne fonctionne

- **Un fusible est-il grillé ou le disjoncteur s'est-il déclenché?** Remplacer le fusible ou remettre le disjoncteur en fonction.

## Les brûleurs de surface ne fonctionnent pas

- **Est-ce la première fois que les brûleurs de surface sont utilisés?** Allumer n'importe quel brûleur de surface pour libérer l'air des canalisations de gaz.
- **Le bouton de commande est-il réglé correctement?** Enfoncer le bouton avant de le tourner sur un réglage.
- **Les orifices des brûleurs sont-ils obstrués?** Sur les modèles à brûleurs scellés, voir la section "Brûleurs de surface scellés".
- **Les orifices d'aération sur la surface de cuisson sont-ils bouchés?** S'assurer que les orifices d'aération sont exempts de toute obstruction. Le blocage des orifices d'aération causerait un mauvais fonctionnement des brûleurs.

## Les flammes des brûleurs de surface ne sont pas uniformes, sont de teinte jaune et/ou bruyantes

- **Les orifices des brûleurs sont-ils obstrués?** Sur les modèles à brûleurs scellés, voir la section "Brûleurs de surface scellés".
- **Sur les modèles à chapeaux, les chapeaux des brûleurs sont-ils bien installés?** Voir la section "Brûleurs de surface scellés".
- **Le brûleur est-il endommagé?** Sur les modèles à chapeau, vérifier si le chapeau est déformé. Si le chapeau ne tourne pas librement sur une surface plate, côté peint vers le bas, le chapeau est déformé. Permuter le chapeau avec un brûleur de surface différent pour vérifier s'il y a une autre déformation. Contacter un technicien de réparation qualifié.
- **Utilise-t-on du gaz propane?** L'appareil n'a peut-être pas été converti correctement. Contacter un technicien de réparation qualifié.

## Le brûleur de surface fait de petits bruits

- **Le brûleur est-il mouillé?** Le laisser sécher.

## Le brûleur émet des étincelles, mais ne s'allume pas.

- **Y a-t-il une production continue d'étincelles sans que le brûleur ne s'allume?** Cesser l'utilisation du brûleur de surface et contacter un technicien de service.

## Chaleur excessive autour des ustensiles de cuisson sur la table de cuisson

- **L'ustensile de cuisson est-il de dimension appropriée?** Utiliser un ustensile de cuisson à peu près de la même dimension que la surface de cuisson, l'élément ou le brûleur de surface. L'ustensile de cuisson ne doit pas dépasser de plus de 1 po (2,5 cm) hors de la surface de cuisson.

## Les résultats de cuisson sur la table de cuisson ne sont pas les résultats prévus

- **Utilise-t-on un ustensile de cuisson approprié?** Voir la section "Ustensiles de cuisson".
- **Le bouton de commande est-il réglé au niveau approprié de chaleur?** Voir la section "Commandes de température de la table de cuisson".
- **L'appareil est-il d'aplomb?** Nivelier l'appareil. Voir les instructions d'installation.

# ASSISTANCE OU SERVICE

Avant de faire un appel pour assistance ou service, consulter la section "Dépannage". Ce guide peut vous faire économiser le coût d'une visite de service. Si vous avez encore besoin d'aide, suivre les instructions ci-dessous.

Lors d'un appel, veuillez connaître la date d'achat, le numéro de modèle et le numéro de série au complet de l'appareil. Ces renseignements nous aideront à mieux répondre à votre demande.

## Si vous avez besoin de pièces de rechange

Si vous avez besoin de commander des pièces de rechange, nous vous recommandons d'employer uniquement des pièces d'origine. Les pièces d'origine conviendront et fonctionneront bien parce qu'elles sont fabriquées avec la même précision que celles utilisées dans la fabrication de chaque nouvel appareil KITCHENAID®.

Pour obtenir des pièces d'origine dans votre région, composez le numéro de téléphone de notre Centre d'interaction avec la clientèle ou avec le centre de service désigné de KitchenAid le plus proche.

Pour des questions relatives aux produits, veuillez appeler sans frais le Centre d'interaction avec la clientèle de KitchenAid Canada au : **1-800-461-5681**

Du lundi au vendredi 8 h - 18 h HNE.

Samedi 8 h 30 - 16 h 30 HNE.

## Nos consultants vous renseigneront sur les sujets suivants :

- Caractéristiques et spécifications sur toute notre gamme d'appareils électroménagers.
- Références aux marchands locaux.

## Pour pièces, accessoires et service

Composer le **1-800-807-6777**. Les techniciens de service désignés par KitchenAid Canada sont formés pour remplir la garantie des produits et fournir un service après la garantie, partout au Canada.

## Pour plus d'assistance

Si vous avez besoin de plus d'assistance, vous pouvez soumettre par écrit toute question ou préoccupation à KitchenAid Canada à l'adresse suivante :

Centre d'interaction avec la clientèle  
KitchenAid Canada  
1901 Minnesota Court  
Mississauga, Ontario L5N 3A7

Veuillez inclure dans votre correspondance un numéro de téléphone où on peut vous joindre dans la journée.

---

## Notes

# GARANTIE DE LA TABLE DE CUISSON KITCHENAID®

## GARANTIE LIMITÉE DE UN AN

Pendant un an à compter de la date d'achat, lorsque ce gros appareil ménager est utilisé et entretenu conformément aux instructions jointes à ou fournies avec le produit, KitchenAid ou KitchenAid Canada (ci-après désignées "KitchenAid") paiera pour les pièces spécifiées par l'usine et la main-d'œuvre pour corriger les vices de matériaux ou de fabrication. Le service doit être fourni par une compagnie de service désignée par KitchenAid.

## GARANTIE LIMITÉE DE LA DEUXIÈME À LA CINQUIÈME ANNÉE INCLUSIVEMENT SUR CERTAINS COMPOSANTS

De la deuxième à la cinquième année inclusivement à compter de la date d'achat, lorsque cet appareil ménager est utilisé et entretenu conformément aux instructions jointes à ou fournies avec le produit, KitchenAid ou KitchenAid Canada paiera pour les pièces spécifiées par l'usine pour les composants suivants, en cas de vices de matériaux ou de fabrication :

- Éléments électriques
- Brûleurs à gaz
- Pièces du système de commande à semi-conducteurs
- Toute fissuration du joint d'étanchéité en caoutchouc entre la table de cuisson en vitrocéramique et le bord en porcelaine
- Toute fissuration de la table de cuisson en vitrocéramique due à un choc thermique
- Éléments de l'unité de surface

## KITCHENAID NE PRENDRA PAS EN CHARGE

1. Les visites de service pour rectifier l'installation du gros appareil ménager, montrer à l'utilisateur comment utiliser l'appareil, remplacer ou réparer des fusibles ou rectifier le câblage ou la plomberie du domicile.
2. Les visites de service pour réparer ou remplacer les ampoules électriques de l'appareil, les filtres à air ou les filtres à eau. Ces pièces consommables ne sont pas couvertes par la garantie.
3. Les réparations lorsque le gros appareil ménager est utilisé à des fins autres que l'usage unifamilial normal.
4. Les dommages imputables à : accident, modification, usage impropre ou abusif, incendie, inondation, actes de Dieu, installation fautive ou installation non conforme aux codes d'électricité ou de plomberie, ou l'utilisation de produits non approuvés par KitchenAid.
5. Le coût des pièces de rechange et de la main-d'œuvre pour les appareils utilisés hors des États-Unis ou du Canada.
6. Le ramassage et la livraison. Ce gros appareil ménager est conçu pour être réparé à domicile.
7. Les réparations aux pièces ou systèmes résultant d'une modification non autorisée faite à l'appareil.
8. Les frais de voyage ou de transport pour le service d'un produit dans les régions éloignées.
9. La dépose et la réinstallation de votre appareil si celui-ci est installé dans un endroit inaccessible ou n'est pas installé conformément aux instructions d'installation fournies.

## CLAUSE D'EXONÉRATION DE RESPONSABILITÉ AU TITRE DES GARANTIES IMPLICITES; LIMITATION DES RECOURS

LE SEUL ET EXCLUSIF RECOURS DU CLIENT DANS LE CADRE DE LA PRÉSENTE GARANTIE LIMITÉE CONSISTE EN LA RÉPARATION PRÉVUE CI-DESSUS. LES GARANTIES IMPLICITES, Y COMPRIS LES GARANTIES APPLICABLES DE QUALITÉ MARCHANDE ET D'APTITUDE À UN USAGE PARTICULIER, SONT LIMITÉES À UN AN OU À LA PLUS COURTE PÉRIODE AUTORISÉE PAR LA LOI. KITCHENAID N'ASSUME AUCUNE RESPONSABILITÉ POUR LES DOMMAGES FORTUITS OU INDIRECTS. CERTAINES JURIDICTIONS NE PERMETTENT PAS L'EXCLUSION OU LA LIMITATION DES DOMMAGES FORTUITS OU INDIRECTS, OU LES LIMITATIONS DE LA DURÉE DES GARANTIES IMPLICITES DE QUALITÉ MARCHANDE OU D'APTITUDE À UN USAGE PARTICULIER, DE SORTE QUE CES EXCLUSIONS OU LIMITATIONS PEUVENT NE PAS S'APPLIQUER DANS VOTRE CAS. CETTE GARANTIE VOUS CONFÈRE DES DROITS JURIDIQUES SPÉCIFIQUES ET VOUS POUVEZ ÉGALEMENT JOUIR D'AUTRES DROITS QUI PEUVENT VARIER D'UNE JURIDICTION À UNE AUTRE.

À l'extérieur du Canada et des 50 États des États-Unis, cette garantie ne s'applique pas. Contacter votre marchand KitchenAid autorisé pour déterminer si une autre garantie s'applique.

Si vous avez besoin de service, voir d'abord la section "Dépannage" du Guide d'utilisation et d'entretien. Après avoir vérifié la section "Dépannage", de l'aide supplémentaire peut être trouvée en vérifiant la section "Assistance ou service" ou en appelant KitchenAid. Aux É.-U., composer le **1-800-422-1230**. Au Canada, composer le **1-800-807-6777**. 9/05

**Conservez ce manuel et votre reçu de vente ensemble pour référence ultérieure. Pour le service sous garantie, vous devez présenter un document prouvant la date d'achat ou d'installation.**

Inscrivez les renseignements suivants au sujet de votre gros appareil ménager pour mieux vous aider à obtenir assistance ou service en cas de besoin. Vous devrez connaître le numéro de modèle et le numéro de série au complet. Vous trouverez ces renseignements sur la plaque signalétique située sur le produit.

Nom du marchand \_\_\_\_\_

Adresse \_\_\_\_\_

Numéro de téléphone \_\_\_\_\_

Numéro de modèle \_\_\_\_\_

Numéro de série \_\_\_\_\_

Date d'achat \_\_\_\_\_

**8286612**

© 2005. All rights reserved.  
Tous droits réservés.

® Registered Trademark/TM Trademark of KitchenAid, U.S.A., KitchenAid Canada licensee in Canada  
® Marque déposée/TM Marque de commerce de KitchenAid, U.S.A., Emploi licencié par KitchenAid Canada au Canada

9/05  
Printed in U.S.A.  
Imprimé aux É.-U.



## Free Manuals Download Website

<http://myh66.com>

<http://usermanuals.us>

<http://www.somanuals.com>

<http://www.4manuals.cc>

<http://www.manual-lib.com>

<http://www.404manual.com>

<http://www.luxmanual.com>

<http://aubethermostatmanual.com>

Golf course search by state

<http://golfingnear.com>

Email search by domain

<http://emailbydomain.com>

Auto manuals search

<http://auto.somanuals.com>

TV manuals search

<http://tv.somanuals.com>