

KitchenAid® Gas Built-in Cooktop

PRODUCT MODEL NUMBERS

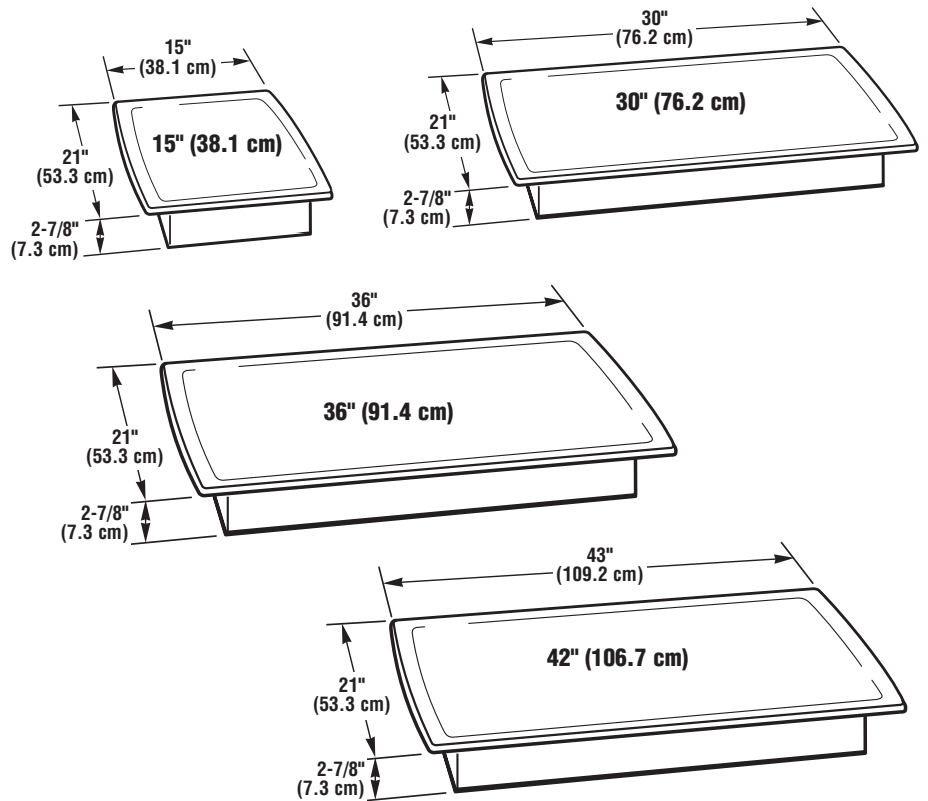
KGCC505H	KGCT055G
KGCC566H	KGCT305G
KGCR055G	KGCT365G
KGCS105G	KGCT366G
KGCS127G	KGCV566M
KGCS166G	

Gas supply: Cooktop is equipped for use with NATURAL gas (except model KGCR055 - L.P. gas only). Cooktop can be converted to L.P. gas. Gas supply line of 3/4" rigid pipe to cooktop location. If local codes permit, a new AGA or CSA design-certified, 4-5 foot (1.2-1.5 m) long, 1/2" or 3/4" I.D., flexible metal appliance connector is recommended for connecting cooktop to gas supply line. Pressure regulator has 3/8" female pipe threads. The supply line shall be equipped with an approved shutoff valve.

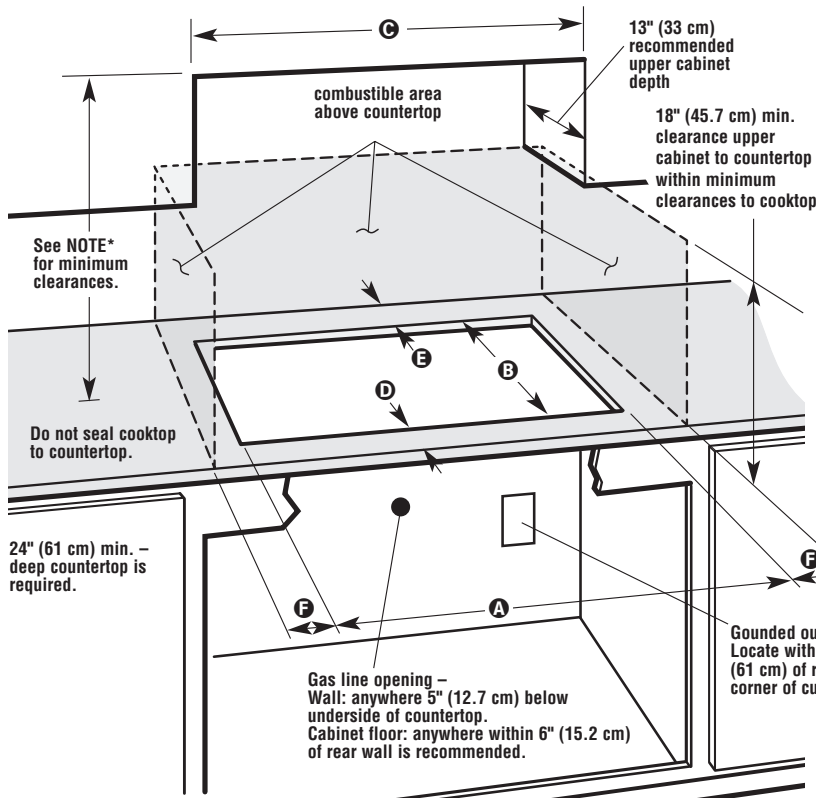
Electrical: 120-volt, 60 Hz, AC-only, 15 amp. electrical supply. Use copper wire only. A time-delay fuse or circuit breaker and separate circuit is recommended.

Grommet is required for electrical cable or power supply cord hole cut in a metal cabinet.

OVERALL DIMENSIONS



CABINET OPENING DIMENSIONS



Cooktop width	Illustration dimensions					
	A	B	C	D min.	E	F
15" (38.1 cm)	13-3/4" (34.9 cm)	19" (48.3 cm)	15" (38.1 cm)	2-1/8" (5.4 cm)	2-7/8" (7.3 cm)	5-5/8" (14.3 cm)
30" (76.2 cm)	29" (73.7 cm)	19" (48.3 cm)	30" (76.2 cm)	2-1/8" (5.4 cm)	2-7/8" (7.3 cm)	5-5/8" (14.3 cm)
36" (91.4 cm)	35-1/4" (89.5 cm)	19" (48.3 cm)	36" (91.4 cm)	2-1/8" (5.4 cm)	2-7/8" (7.3 cm)	5-5/8" (14.3 cm)
42" (106.7 cm)	42-3/4" (108.6 cm)	19" (48.3 cm)	42" (106.7 cm)	2-1/8" (5.4 cm)	2-7/8" (7.3 cm)	11-1/2" (28.4 cm)

Important note on base cabinet construction: After making the countertop cutout, some installations may require notching down the base cabinet side walls to clear the burner box. To avoid this modification, use a base cabinet having sidewalls wider the cutout.

Minimum distance to combustible surface above countertop

* Note: 24" (61 cm) min. clearance if bottom of wood or metal cabinet is protected by not less than 1/4" (0.6 cm) flame retardant millboard covered with not less than No. 28 MSG sheet steel, 0.015" (0.04 cm) stainless steel, or 0.024" (0.06 cm) aluminum or 0.020" (0.05 cm) copper.

30" (76.2 cm) min. clearance between top of cooking platform and bottom of unprotected wood or metal cabinet.

Free Manuals Download Website

<http://myh66.com>

<http://usermanuals.us>

<http://www.somanuals.com>

<http://www.4manuals.cc>

<http://www.manual-lib.com>

<http://www.404manual.com>

<http://www.luxmanual.com>

<http://aubethermostatmanual.com>

Golf course search by state

<http://golfingnear.com>

Email search by domain

<http://emailbydomain.com>

Auto manuals search

<http://auto.somanuals.com>

TV manuals search

<http://tv.somanuals.com>