

This Data Sheet Includes Information On

KitchenAid

Product Model Number (s):

36" Retractable Downdraft Vent System:
KIRD862HSS
Kit: KPED890T

Dimensions (Actual Size)

Vent overall depth: 2 1/8"

Vent overall width: 36"

Vent cutout depth: 1 7/8"

Vent cutout width: 33 1/2"

Raised vent distance: 8 1/4"

Vent height below countertop: 26 1/8"

Additional Information

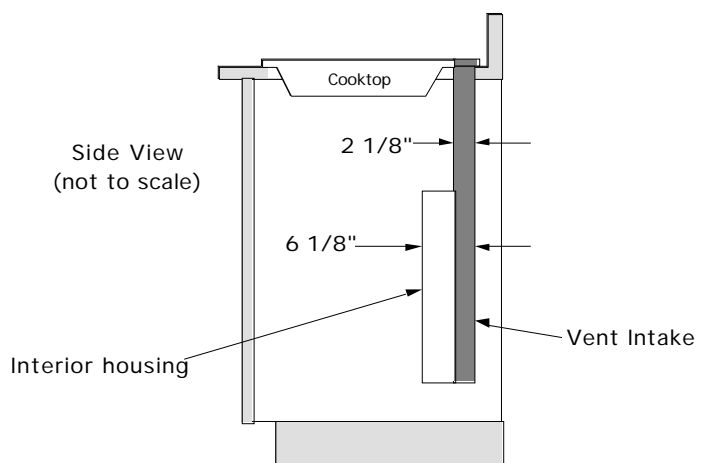
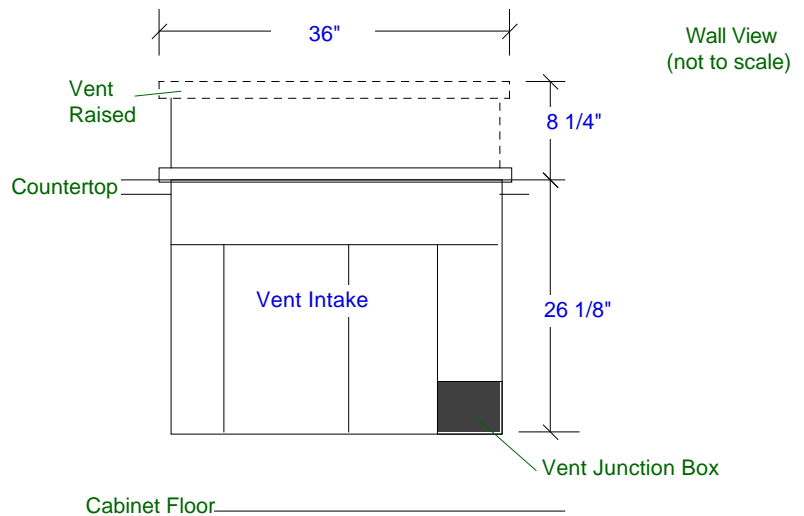
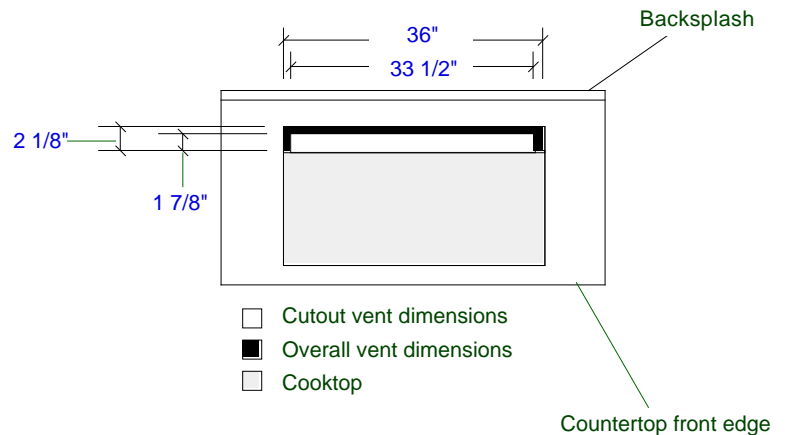
- Electrical requirements: Voltage 115, single phase, 60Hz. AC. Ampere 15. Grounded circuit required. Locate power supply junction box at lower right corner of cabinet.
- KitchenAid exterior power system, Part No. KPED890, is required to complete this system.
- Installation location should be away from strong draft areas, such as windows doors and strong heating vents. Before making cutout, check that vent and cooktop location will clear cabinet walls, backsplash and rear wall studs inside cabinet.
- All openings in wall or floor where vent is to be installed must be sealed.
- See cooktop manufacturer's installation instructions for cooktop cutout depth and width.
- NOT approved for use in mobile homes.
- 36" minimum base cabinet is required. 3 1/2" depth clearance from countertop to top of cabinet drawers (or other obstructions in base cabinet) is required.
- Cabinet drawer may need to be removed and permanent drawer front installed.
- Use either 9" round (recommended) or 3 1/4" x 10" ductwork. Maximum length of ductwork for both 9" round and 3 1/4" x 10" is 55 feet.
- Stainless Steel finish.

See pages 2-3 for additional information

Subject to change without notice. This system is designed to be updated daily if necessary. Dimension Express is not responsible for use of superseded, voided, or outdated data sheets. Because of the difficulty or impracticability of determining actual damages, liability of Dimension Express shall not exceed \$50.00.

Copyright © Dimension Express, 2000.

284



• NEVER reuse Data Sheets. Data Sheets are subject to change without notice. Dimension Express is a FREE service bureau and is updated daily, it makes far more sense to spend the time necessary to request new Data Sheets for each project, as opposed to the problems, time, costs, and risks associated with reusing old Data Sheets.

- Call Dimension Express if you have any questions at (775) 833-3633 •
- Always refer to a current Code at a Glance or manufacturer directory •
- Data Sheet codes change on the first of odd numbered months at 12:01am •

BN53 • A284B149C116 • 11751 • 001311 • 215841 • 52906

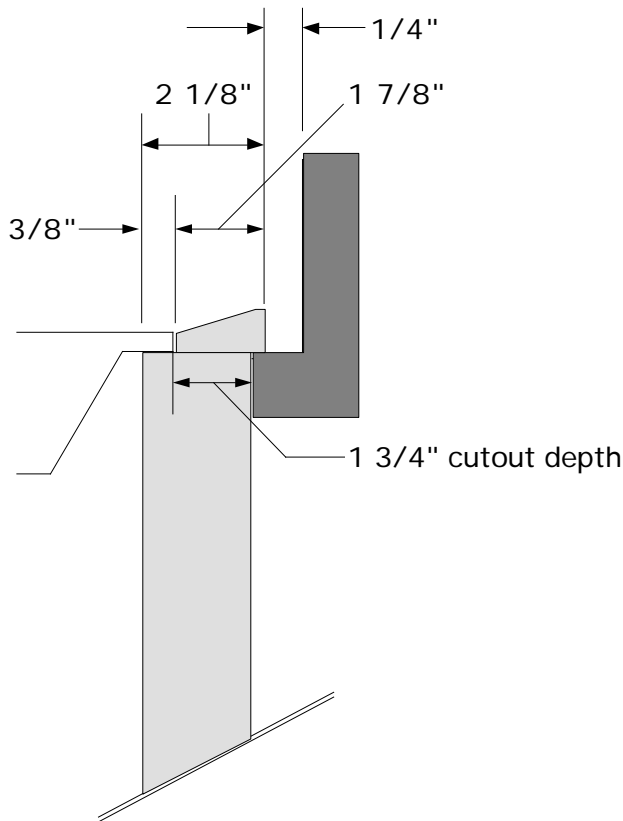
36" Retractable Downdraft Vent System:
KIRD862HSS
Kit: KPED890T

Additional Information:

Venting Requirements:

- Unit is to be used with KitchenAid external blower kit KPED890T.
- Ductwork needed for installation is not supplied. Wall cap is NOT provided. Ductwork can extend either through the wall or roof. The length of the ductwork and number of elbows should be kept to a minimum to provide efficient performance. The size of the duct work should be uniform. Do NOT install two elbows together. Flexible ductwork is NOT recommended. If it is used, calculate each foot of flexible ductwork as two feet of straight metal ductwork. Flexible elbows count twice as much as standard elbows. Use metal ductwork only. Make sure there is proper clearance within the wall of floor for exhaust duct before making cutouts.

- For best performance, use no more than three 90° elbows. If more than one elbow is used, make sure that there is a minimum of 24" of straight duct between any two elbows. It is recommended that you use round duct instead of rectangular duct, especially if elbows are required. If rectangular duct is required, it should be transitioned to 9" round as soon as possible. To calculate the length of system you need, add the equivalent feet for each duct piece used in the system.
- Recommended standard fitting equivalents:
 - 3 1/4" x 10" 90° elbow = 5 feet straight.
 - 3 1/4" x 10" 45° elbow = 7 feet straight.
 - 3 1/4" x 10" wall cap = 0 feet straight.
 - 3 1/4" x 10" 90° flat elbow = 12 feet straight.



**Vent Lid Cross Section
(not to scale)**

- Overall vent depth: 2 1/8"
- Vent lid depth: 1 7/8"
- Cooktop overlap: 3/8"
- Min. Distance from vent lid to backsplash: 1/4"

Subject to change without notice. This system is designed to be updated daily if necessary. Dimension Express is not responsible for use of superseded, voided, or outdated data sheets. Because of the difficulty or impracticability of determining actual damages, liability of Dimension Express shall not exceed \$50.00. Copyright © Dimension Express, 2000.

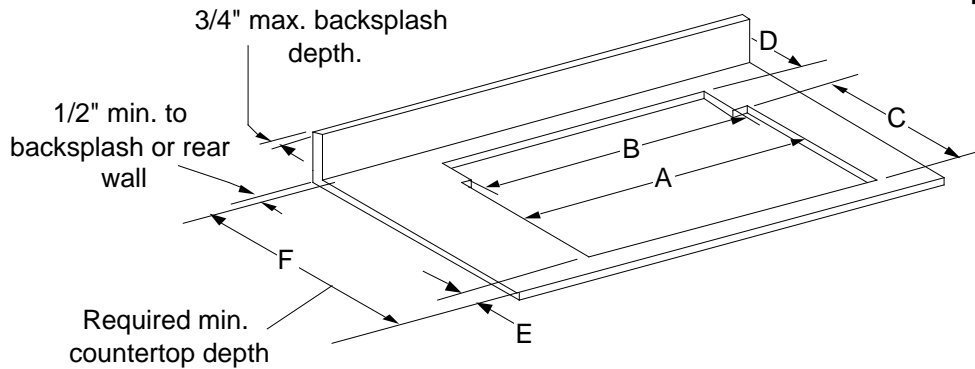
• NEVER reuse Data Sheets. Data Sheets are subject to change without notice. Dimension Express is a FREE service bureau and is updated daily, it makes far more sense to spend the time necessary to request new Data Sheets for each project, as opposed to the problems, time, costs, and risks associated with reusing old Data Sheets.

- Call Dimension Express if you have any questions at (775) 833-3633 •
- Always refer to a current Code at a Glance or manufacturer directory •
- Data Sheet codes change on the first of odd numbered months at 12:01am •

BN53 • A284B149C116 • 11751 • 001311 • 215841 • 52906

36" Retractable Downdraft Vent System:
 KIRD862HSS
 Kit: KPED890T

Cutout sizes when used with KitchenAid cooktops

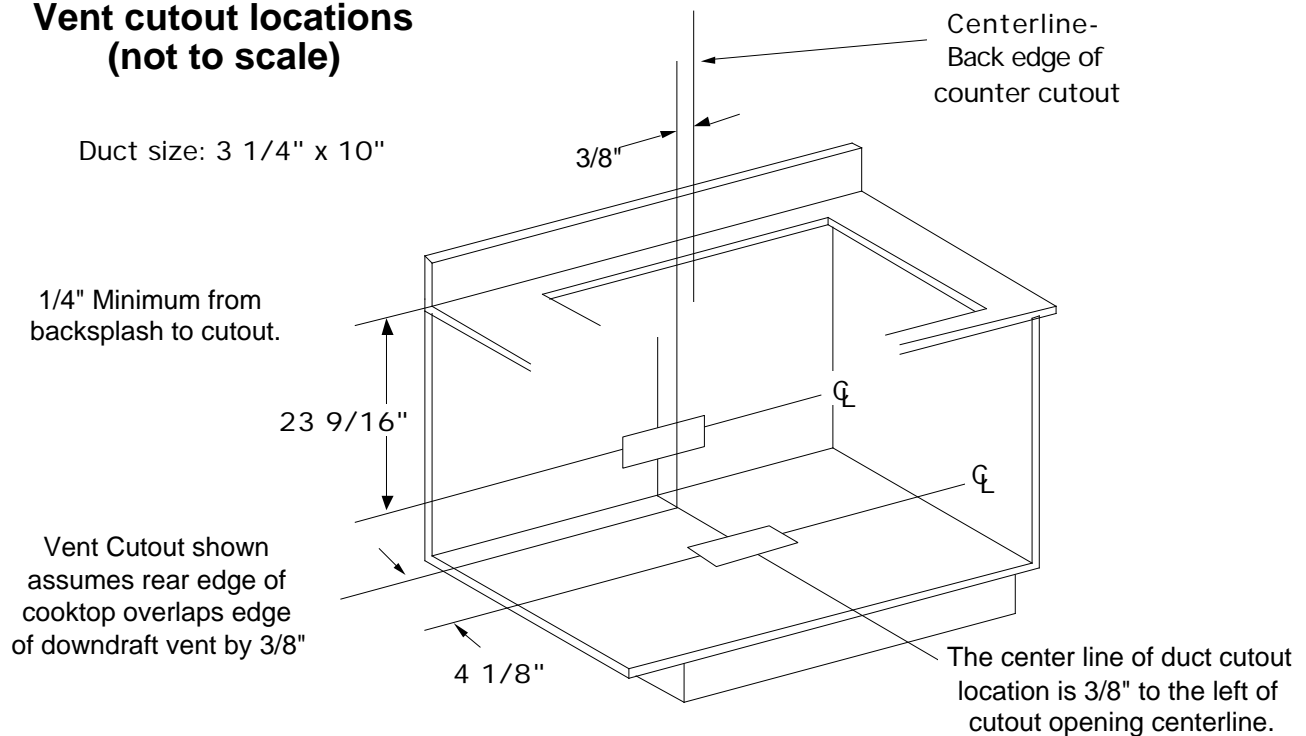


Model #	A	B	C	D	E	OA Width	OA Depth	F
KGCT365G, KGCS166G, KECT336G	35 1/4"	33 1/2"	19 5/8"	2 1/8"	1 3/4"	37 1/2"	23"	25"
KECC562*, KECC568G*, KECC567G*	35 1/2"	33 1/2"	20 1/2"	2 1/8"	2"	37 1/2"	23 1/4"	26 7/8"
KECS161G*	35"	33 1/2"	19"	2 1/2"	3 3/8"	37 5/8"	23"	25 5/8"

* Requires deeper than standard countertop and cabinet

Vent cutout locations (not to scale)

Duct size: 3 1/4" x 10"



Subject to change without notice. This system is designed to be updated daily if necessary. Dimension Express is not responsible for use of superseded, voided, or outdated data sheets. Because of the difficulty or impracticability of determining actual damages, liability of Dimension Express shall not exceed \$50.00. Copyright © Dimension Express, 2000.

• NEVER reuse Data Sheets. Data Sheets are subject to change without notice. Dimension Express is a FREE service bureau and is updated daily, it makes far more sense to spend the time necessary to request new Data Sheets for each project, as opposed to the problems, time, costs, and risks associated with reusing old Data Sheets.

• Call Dimension Express if you have any questions at (775) 833-3633 •
 • Always refer to a current Code at a Glance or manufacturer directory •
 • Data Sheet codes change on the first of odd numbered months at 12:01am •

BN53 • A284B149C116 • 11751 • 001311 • 215841 • 52906

Free Manuals Download Website

<http://myh66.com>

<http://usermanuals.us>

<http://www.somanuals.com>

<http://www.4manuals.cc>

<http://www.manual-lib.com>

<http://www.404manual.com>

<http://www.luxmanual.com>

<http://aubethermostatmanual.com>

Golf course search by state

<http://golfingnear.com>

Email search by domain

<http://emailbydomain.com>

Auto manuals search

<http://auto.somanuals.com>

TV manuals search

<http://tv.somanuals.com>