

KitchenAid®

ELECTRIC COOKTOP

Use & Care Guide

For questions about features, operation/performance, parts, accessories or service, call: **1-800-422-1230** or visit our website at www.kitchenaid.com

In Canada, call **1-800-807-6777** or visit our website at www.KitchenAid.ca

TABLE DE CUISSON ÉLECTRIQUE

Guide d'utilisation et d'entretien

Au Canada, pour assistance, installation ou service, composer le **1-800-807-6777** ou visiter notre site Web au www.KitchenAid.ca

Table of Contents/Table des matières..... 2



**Models/Modèles KECC056 KECC506 KECC507 KECC508 KECC566 KECC567 KECC568 KEKV568
W10162162A**

NOTE: This manual covers different models. Refer to the Table of Contents for information regarding your cooktop model.

REMARQUE : Ce manuel couvre différents modèles. Consulter la Table des matières pour des renseignements concernant le modèle de votre table de cuisson.

TABLE OF CONTENTS

COOKTOP SAFETY	3
PARTS AND FEATURES - TOUCH-ACTIVATED ELECTRONIC CONTROL MODELS	5
COOKTOP CONTROLS - TOUCH-ACTIVATED ELECTRONIC CONTROL MODELS	6
Dual/Triple Circuit Element	6
Bridge Element.....	7
Control Lock/All Off.....	7
Melt & Hold Function	7
Keep Warm Function	7
PARTS AND FEATURES - SMART KNOB MODELS	8
COOKTOP CONTROLS - SMART KNOB MODELS	9
Dual/Triple-Circuit Element.....	10
Bridge Element.....	10
Warm Function.....	10
PARTS AND FEATURES - TRADITIONAL KNOB MODELS	11
COOKTOP CONTROLS - TRADITIONAL KNOB MODELS	12
Dual/Triple-Circuit Element.....	12
Bridge Element (on 36" [91.4 cm] models)	13
COOKTOP USE	13
Ceramic Glass	13
Home Canning	14
Cookware	14
COOKTOP CARE	14
General Cleaning.....	14
TROUBLESHOOTING	15
ASSISTANCE OR SERVICE	16
In the U.S.A.	16
In Canada	16
WARRANTY	17

TABLE DES MATIÈRES

SÉCURITÉ DE LA TABLE DE CUISSON	18
PIÈCES ET CARACTÉRISTIQUES - MODÈLES À COMMANDE ÉLECTRONIQUE TACTILE	20
COMMANDES DE LA TABLE DE CUISSON - MODÈLES À COMMANDE ÉLECTRONIQUE TACTILE	21
Élément à double/triple circuit	22
Élément de pont (sur les modèles de 36" (91,4cm).....	22
Control Lock/All Off (verrouillage des commandes/toutes commandes éteintes).....	23
Fonction Melt & Hold (fondre et garder)	23
Fonction Keep Warm (maintien au chaud).....	23
PIÈCES ET CARACTÉRISTIQUES - MODÈLES À BOUTON INTELLIGENT	24
COMMANDES DE LA TABLE DE CUISSON - MODÈLES À BOUTON INTELLIGENT	25
Élément à double/triple circuit	26
Élément de pont (sur les modèles de 36" (91,4cm).....	27
Fonction Warm (maintien au chaud)	27
PIÈCES ET CARACTÉRISTIQUES - MODÈLES À BOUTON STANDARD	28
COMMANDES DE LA TABLE DE CUISSON - MODÈLES À BOUTON STANDARD	29
Élément à double/triple circuit	30
Élément de pont (sur les modèles de 36" (91,4cm).....	30
UTILISATION DE LA TABLE DE CUISSON	31
Vitrocéramique	31
Préparation de conserves à la maison.....	31
Ustensiles de cuisson	32
ENTRETIEN DE LA TABLE DE CUISSON	32
Nettoyage général	32
DÉPANNAGE	33
ASSISTANCE OU SERVICE	34
GARANTIE	35

COOKTOP SAFETY

Your safety and the safety of others are very important.

We have provided many important safety messages in this manual and on your appliance. Always read and obey all safety messages.



This is the safety alert symbol.

This symbol alerts you to potential hazards that can kill or hurt you and others.

All safety messages will follow the safety alert symbol and either the word "DANGER" or "WARNING."

These words mean:

⚠ DANGER

You can be killed or seriously injured if you don't immediately follow instructions.

⚠ WARNING

You can be killed or seriously injured if you don't follow instructions.

All safety messages will tell you what the potential hazard is, tell you how to reduce the chance of injury, and tell you what can happen if the instructions are not followed.

IMPORTANT SAFETY INSTRUCTIONS

WARNING: To reduce the risk of fire, electrical shock, injury to persons, or damage when using the cooktop, follow basic precautions, including the following:

- **CAUTION:** Do not store items of interest to children in cabinets above a cooktop – Children climbing on the cooktop to reach items could be seriously injured.
- Proper Installation – Be sure your cooktop is properly installed and grounded by a qualified technician.
- Never Use Your Cooktop for Warming or Heating the Room.
- Do Not Leave Children Alone – Children should not be left alone or unattended in area where cooktop is in use. They should never be allowed to sit or stand on any part of the cooktop.
- Wear Proper Apparel – Loose-fitting or hanging garments should never be worn while using the cooktop.
- User Servicing – Do not repair or replace any part of the cooktop unless specifically recommended in the manual. All other servicing should be referred to a qualified technician.
- Storage on Cooktop – Flammable materials should not be stored near surface units.
- Do Not Use Water on Grease Fires – Smother fire or flame or use dry chemical or foam-type extinguisher.
- Use Only Dry Potholders – Moist or damp potholders on hot surfaces may result in burns from steam. Do not let potholder touch hot heating elements. Do not use a towel or other bulky cloth.
- DO NOT TOUCH SURFACE UNITS OR AREAS NEAR UNITS – Surface units may be hot even though they are dark in color. Areas near surface units may become hot enough to cause burns. During and after use, do not touch, or let clothing or other flammable materials contact surface units or areas near units until they have had sufficient time to cool. Among those areas are the cooktop and surfaces facing the cooktop.
- Use Proper Pan Size – This cooktop is equipped with one or more surface units of different size. Select utensils having flat bottoms large enough to cover the surface unit heating element. The use of undersized utensils will expose a portion of the heating element to direct contact and may result in ignition of clothing. Proper relationship of utensil to burner will also improve efficiency.

- Never Leave Surface Units Unattended at High Heat Settings – Boilover causes smoking and greasy spillovers that may ignite.
- Glazed Cooking Utensils – Only certain types of glass, glass/ceramic, ceramic, earthenware, or other glazed utensils are suitable for cooktop service without breaking due to the sudden change in temperature.
- Utensil Handles Should Be Turned Inward and Not Extend Over Adjacent Surface Units – To reduce the risk of burns, ignition of flammable materials, and spillage due to unintentional contact with the utensil, the handle of a utensil should be positioned so that it is turned inward, and does not extend over adjacent surface units.
- Do Not Cook on Broken Cooktop – If cooktop should break, cleaning solutions and spillovers may penetrate the broken cooktop and create a risk of electric shock. Contact a qualified technician immediately.
- Clean Cooktop With Caution – If a wet sponge or cloth is used to wipe spills on a hot cooking area, be careful to avoid steam burn. Some cleaners can produce noxious fumes if applied to a hot surface.

For units with ventilating hood –

- Clean Ventilating Hoods Frequently – Grease should not be allowed to accumulate on hood or filter.
- When flaming foods under the hood, turn the fan on.

For units with coil elements –

- Make Sure Reflector Pans or Drip Bowls Are in Place – Absence of these pans or bowls during cooking may subject wiring or components underneath to damage.
- Protective Liners – Do not use aluminum foil to line surface unit drip bowls, except as suggested in the manual. Improper installation of these liners may result in a risk of electric shock, or fire.
- Do Not Soak Removable Heating Elements - Heating elements should never be immersed in water.

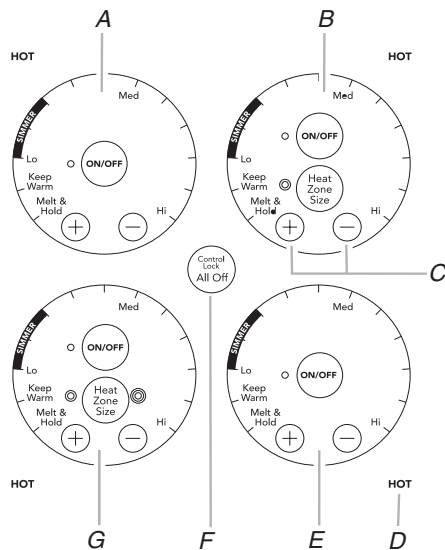
SAVE THESE INSTRUCTIONS

PARTS AND FEATURES

TOUCH-ACTIVATED ELECTRONIC CONTROL MODELS

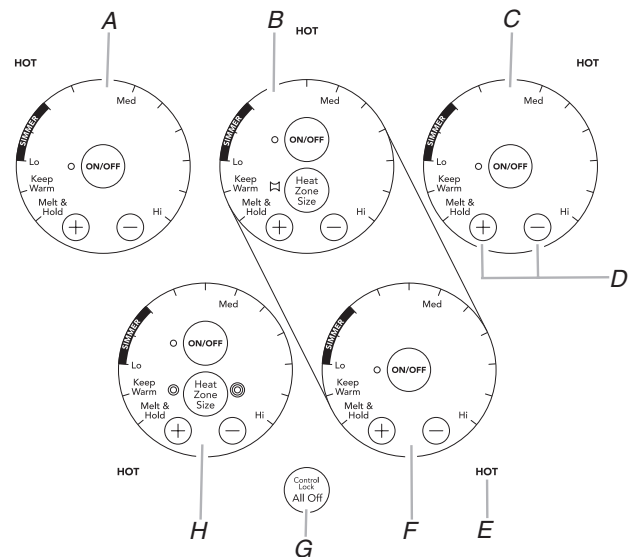
Control Panels

30" (76.2 cm) Touch-Activated Electronic Control Models



- A. Left rear touch control (simmer; keep warm function; melt and hold function)
- B. Right rear touch control (simmer; keep warm function; melt and hold function; dual circuit element)
- C. Increase/decrease temperature touch control
- D. Hot surface indicator light
- E. Right front touch control (simmer; keep warm function; melt and hold function)
- F. All/Off control lock
- G. Left front touch control (simmer; keep warm function; melt and hold function; triple-circuit element)

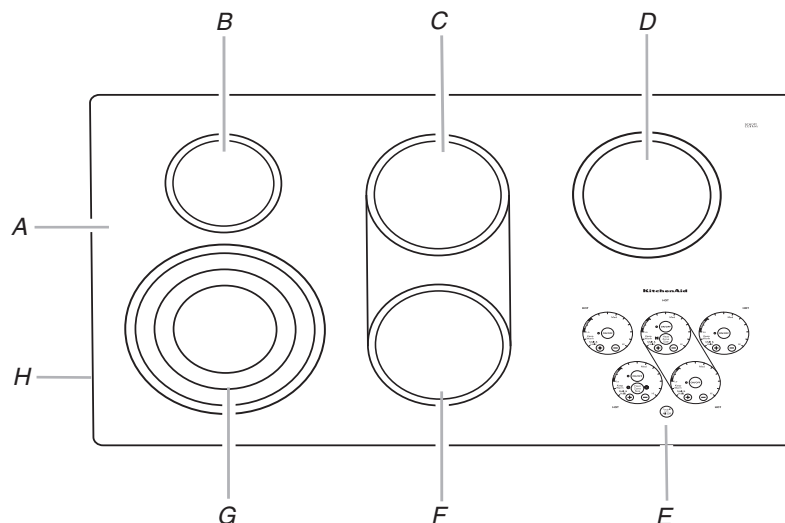
36" (91.4 cm) Touch-Activated Electronic Control Models



- A. Left rear touch control (simmer; keep warm function; melt and hold function)
- B. Center rear touch control (simmer; keep warm function; melt and hold function; dual circuit element "bridge")
- C. Right rear touch control (simmer; keep warm function; melt and hold function)
- D. Increase/decrease temperature touch control
- E. Hot surface indicator lights
- F. Right front touch control (simmer; keep warm function; melt and hold function)
- G. All/Off control lock
- H. Left front touch control (simmer; keep warm function; melt and hold function; triple-circuit element)

Cooktops

36" (91.4 cm) Touch-Activated Electronic Control Model shown



- A. Ceramic glass cooktop (stainless steel or painted metal trim on some models)
- B. Left rear surface cooking area
- C. Center rear surface cooking area (with dual-circuit element "bridge")
- D. Right rear surface cooking area
- E. Control panel
- F. Right front surface cooking area
- G. Left front surface cooking area (with triple-circuit element)
- H. Model and serial number plate (located underneath cooktop on metal cabinet)

COOKTOP CONTROLS

TOUCH-ACTIVATED ELECTRONIC CONTROL MODELS

⚠ WARNING



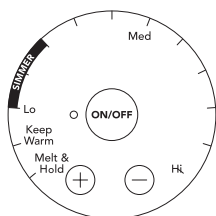
Fire Hazard

Turn off all controls when done cooking.
Failure to do so can result in death or fire.

The electronic touch controls offer a variety of heat settings for optimal cooking results. When melting foods such as chocolate or butter, or when proofing bread, the surface cooking area can be set to MELT & HOLD for minimal element operation.

For maximum element operation, all cooktop touch controls can be set to HI when bringing liquids to a fast and rapid boil. Touch the minus (-) keypad to immediately reach the HI setting.

NOTE: Where 240V installation is not available, this cooktop will automatically adjust to 208V operation.



To Use:

1. Touch ON/OFF.
2. Touch the “plus” (+) or “minus” (-) keypads to increase or decrease power.
3. To choose a power level between HI and MELT & HOLD, touch and hold either the “+” or “-” keypad until the desired level has been reached.
4. When finished cooking, touch ON/OFF to turn off surface cooking area(s) individually, or touch ALL OFF to turn off all elements at the same time.

Use the following chart as a guide when setting heat levels.

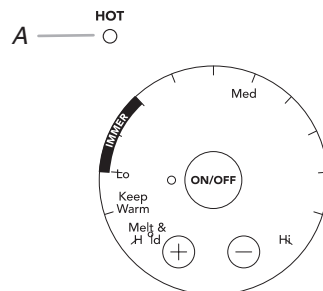
SETTING	RECOMMENDED USE
Hi	<ul style="list-style-type: none"> ■ Start food cooking. ■ Bring liquid to a boil.
Medium High Between Med & Hi	<ul style="list-style-type: none"> ■ Hold a rapid boil. ■ Quickly brown or sear food.
Med Medium	<ul style="list-style-type: none"> ■ Maintain a slow boil. ■ Fry or sauté foods.
Medium Low Between Med & Lo	<ul style="list-style-type: none"> ■ Cook soups, sauces and gravies. ■ Stew or steam food.

SETTING	RECOMMENDED USE
Lo SIMMER	<ul style="list-style-type: none"> ■ Provide lowest simmer/heat setting. ■ Simmer (range of simmer temperatures).
Keep Warm Function	<ul style="list-style-type: none"> ■ Keep cooked foods warm.
Melt & Hold Function	<ul style="list-style-type: none"> ■ Melt chocolate or butter.
Dual/Triple Circuit Elements	<ul style="list-style-type: none"> ■ Home canning. ■ Large-diameter cookware. ■ Large quantities of food.

REMEMBER: When cooktop is in use, the entire cooktop area may become hot.

Hot Surface Indicator Lights (on Touch Control models)

The Hot Surface Indicator Lights are located next to each of the cooktop touch controls. The Hot Surface Indicator Lights will glow as long as any surface cooking area is too hot to touch, even after the surface cooking area(s) is turned off.

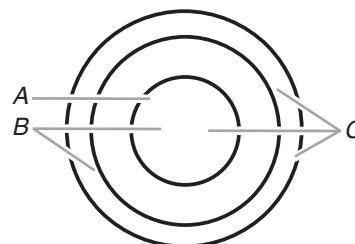


A. Hot surface indicator light

If the cooktop is on when a power failure occurs, the Hot Surface Indicator Lights will remain on after the power is restored to the cooktop. They will remain on until the cooktop has cooled completely.

Dual/Triple Circuit Element

The dual-size and triple-size elements offer flexibility depending on the size of the cookware. Single size can be used in the same way as a regular element. The dual and triple sizes combine single, dual and outer element and are recommended for larger cookware, large quantities of food, and home canning.



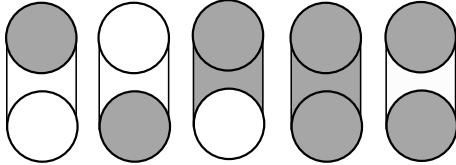
A. Single size C. Triple size
B. Dual size

To Use:

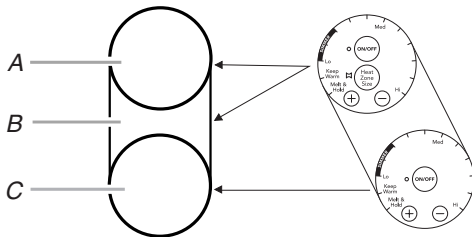
1. Touch ON/OFF.
2. Touch HEAT ZONE SIZE to select desired zone diameter.
3. Choose a power level between HI and MELT & HOLD. Touch the “plus” (+) or “minus” (-) keypad to increase or decrease power.
4. When finished cooking, touch ON/OFF to turn off surface cooking area(s) individually, or touch ALL OFF to turn off all elements at the same time.

Bridge Element (on 36" [91.4 cm] models)

The bridge element allows maximum flexibility in the center cooking area.



Use the bridge area to create an oblong heated area to cook with large cookware.



A. Single size
B. Bridge area
C. Single size

To use SINGLE (A) or SINGLE and BRIDGE (A + B):

1. Touch ON/OFF (center rear touch control).
2. Touch HEAT ZONE SIZE once for SINGLE and BRIDGE (A+B) or twice for SINGLE (A).
3. Choose a power level between HI and MELT & HOLD. Touch the “plus” (+) or “minus” (-) keypads to increase or decrease power.
4. When finished cooking, touch ON/OFF to turn off surface cooking area(s) individually, or touch ALL OFF to turn off all elements at the same time.

To use SINGLE (C):

1. Touch ON/OFF (right front touch control).
2. Choose a power level between HI and MELT & HOLD. Touch the “+” or “-” keypads to increase or decrease power.
3. When finished cooking, touch ON/OFF to turn off surface cooking area, or touch ALL OFF to turn off all elements at the same time.

To use both Single elements and Bridge (A+B+C):

1. Turn on Single and Bridge (A+B).
2. Turn on Single (C).
3. When finished cooking, touch ON/OFF to turn off surface cooking area(s) individually, or touch ALL OFF to turn off all elements at the same time.

Control Lock/All Off

The Control Lock/All Off keypad turns off all surface cooking areas that are in use at the same time.

The Control Lock cooktop touch control prevents unintended use of the surface cooking areas. When the cooktop is locked out, the surface cooking areas cannot be turned on by the cooktop touch controls.

To Lock Cooktop: Touch and hold the CONTROL LOCK/ ALL OFF keypad for 5 seconds. After 5 seconds, CONTROL LOCK will glow red, indicating that the cooktop touch controls are in the lockout position.

To Unlock Cooktop: Touch and hold the CONTROL LOCK/ ALL OFF keypad for 5 seconds.

Melt & Hold Function

(on Electronic Touch Control models)

The Melt & Hold function is available on all the surface cooking elements, and is ideal for melting chocolate or butter.

To Use:

1. Touch ON/OFF.
2. Touch the “plus” (+) keypad once for MELT & HOLD.
3. When finished cooking, touch ON/OFF to turn off surface cooking area.

Keep Warm Function

(on Electronic Touch Control models)

⚠ WARNING

Food Poisoning Hazard

Do not let food sit for more than one hour before or after cooking.

Doing so can result in food poisoning or sickness.

The Keep Warm function can be used to keep cooked foods warm, and may be used whether or not the other surface cooking zones are in use. One hour is the recommended maximum time to maintain food quality.

It is not recommended for heating cold foods. When the Keep Warm function is in use, it will not glow red like the cooking zones, but the indicator light will glow on the control panel.

Use only cookware and dishes recommended for oven and cooktop use, and those that have flat bottoms to make direct contact with the cooktop surface. Use pot holders or oven mitts to remove cookware.

Cover all foods with a lid or aluminum foil. Do not use plastic wrap to cover food, as it may melt onto the cooktop surface. When warming baked goods, allow a small opening in the cover for moisture to escape.

Food quality may deteriorate if food is kept on the Keep Warm function for an extended period of time. For best results, keep food warm for no longer than 30 to 45 minutes.

On models with touch controls, the Keep Warm element is available on all surface cooking areas, and can be used as either an element for warming foods, or for normal element operation.

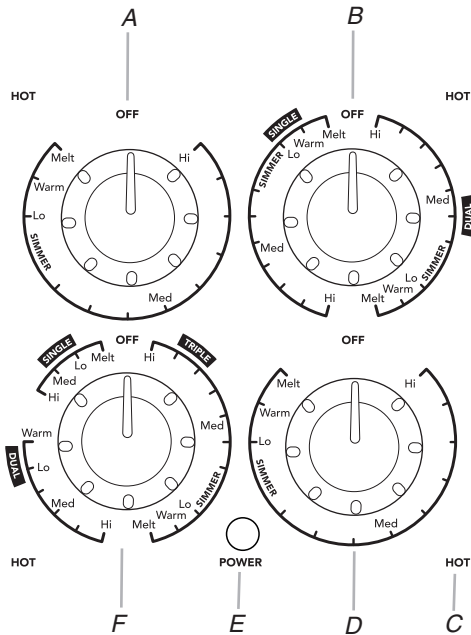
To Use:

1. Touch ON/OFF.
2. Touch the “plus” (+) keypad twice for KEEP WARM.
3. When finished cooking, touch ON/OFF to turn off surface cooking area.

PARTS AND FEATURES - SMART KNOB MODELS

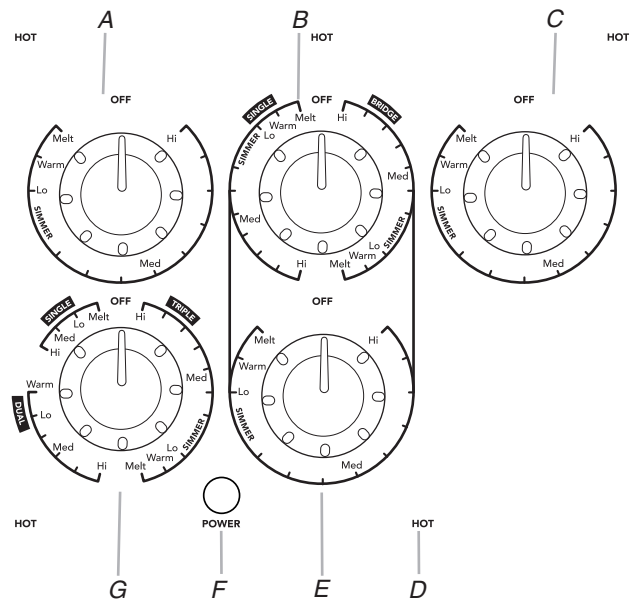
Control Panels

30" (76.2 cm) Smart Knob Models



- A. Left rear control (simmer; keep warm function; melt function)
- B. Right rear control (simmer; keep warm function; melt function; dual-circuit element)
- C. Hot surface indicator light
- D. Right front control (simmer; keep warm function; melt function)
- E. Power on light
- F. Left front control (simmer; keep warm function; melt function; triple-circuit element)

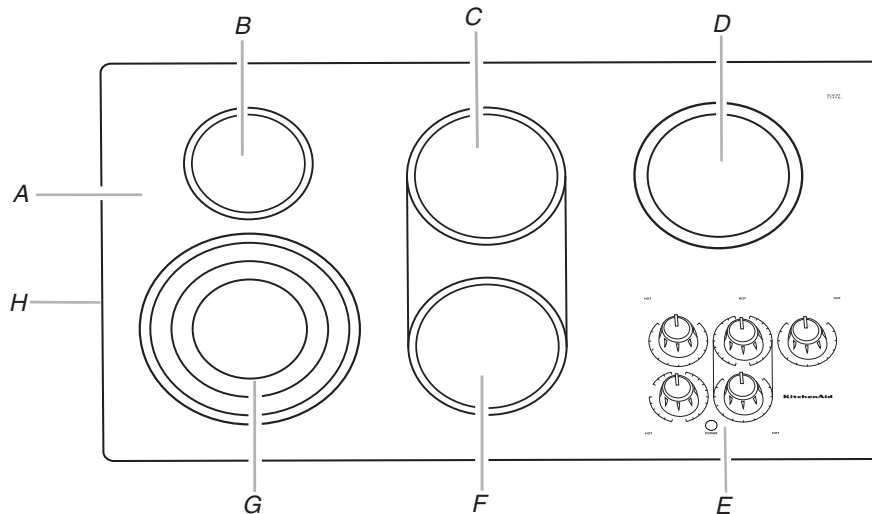
36" (91.4 cm) Smart Knob Models



- A. Left rear control (simmer; keep warm function; melt function)
- B. Center rear control (simmer; keep warm function; melt function; dual circuit element "bridge")
- C. Right rear control (simmer; keep warm function; melt function)
- D. Hot surface indicator lights
- E. Right front control (simmer; keep warm function; melt function)
- F. Power on light
- G. Left front control (simmer; keep warm function; melt function; triple-circuit element)

Cooktops

36" (91.4 cm) Smart Control Model shown



- A. Ceramic glass cooktop (stainless steel models have metal trim)
- B. Left rear surface cooking area
- C. Center rear surface cooking area (with dual-circuit element "bridge")
- D. Right rear surface cooking area
- E. Control panel
- F. Right front surface cooking area
- G. Left front surface cooking area (with triple-circuit element)
- H. Model and serial number plate (located underneath cooktop on metal cabinet)

COOKTOP CONTROLS - SMART KNOB MODELS

! WARNING



Fire Hazard

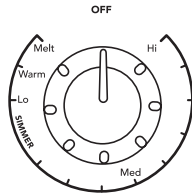
**Turn off all controls when done cooking.
Failure to do so can result in death or fire.**

The knob-activated electronic system controls offer a variety of heat settings for optimal cooking results. When melting foods such as chocolate or butter, or when proofing bread, the surface cooking area can be set to MELT for minimal element operation.

To keep cooked foods warm or to heat serving dishes, the surface cooking area can be set to WARM.

For maximum element operation, all knob-activated electronic system controls can be set to HI when bringing liquids to a fast and rapid boil.

NOTE: Where 240V installation is not available, this cooktop will automatically adjust to 208V operation.



To Use:

1. The cooktop control can be set anywhere between HI and MELT.
2. Push in and turn to desired setting.

Use the following chart as a guide when setting heat levels.

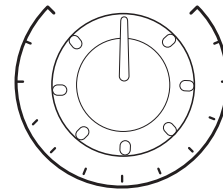
SETTING	RECOMMENDED USE
Hi	<ul style="list-style-type: none"> ■ Bring liquid to a boil.
Medium High Between Med & Hi	<ul style="list-style-type: none"> ■ Hold a rapid boil. ■ Quickly brown or sear food.
Med Medium	<ul style="list-style-type: none"> ■ Maintain a slow boil. ■ Fry or sauté foods. ■ Cook soups, sauces and gravies.
Medium Low Between Med & Lo	<ul style="list-style-type: none"> ■ Stew or steam food.
Lo SIMMER	<ul style="list-style-type: none"> ■ Simmer (range of simmer temperatures).
Warm	<ul style="list-style-type: none"> ■ Keep cooked foods warm.
Melt	<ul style="list-style-type: none"> ■ Melt chocolate or butter.
Dual/Triple Circuit Elements	<ul style="list-style-type: none"> ■ Home canning. ■ Large-diameter cookware. ■ Large quantities of food.

REMEMBER: When cooktop is in use, the entire cooktop area may become hot.

Hot Surface Indicator Lights (on Smart Control models)

The Hot Surface Indicator Lights are located next to each of the cooktop control knobs. The Hot Surface Indicator Lights will glow as long as any surface cooking area is too hot to touch, even after the surface cooking area(s) is turned off.

A — (HOT)



A. Hot surface indicator light

If the cooktop is on when a power failure occurs, the Hot Surface Indicator Lights will remain on after the power is restored to the cooktop. They will remain on until the cooktop has cooled completely.

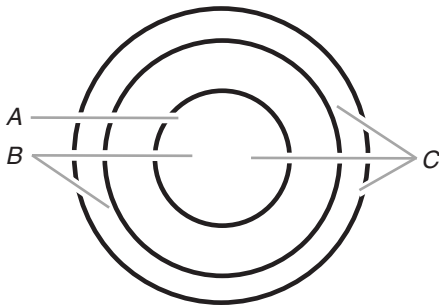
Power Light

Each cooktop has a Power On light. The light will glow when any burner is on.



Dual/Triple-Circuit Element

The dual-size and triple-size elements offer flexibility depending on the size of the cookware. Single size can be used in the same way as a regular element. The dual and triple sizes combine single, dual and outer element and are recommended for larger cookware, large quantities of food, and home canning.



A. Single size
B. Dual size
C. Triple size

To Use SINGLE:

1. Push in and turn knob from the OFF position to the SINGLE zone anywhere between MELT and HI.
2. Turn knob to OFF when finished.

To Use DUAL:

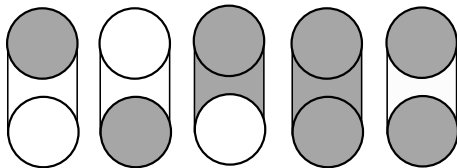
1. Push in and turn knob from the OFF position to the DUAL zone anywhere between WARM and HI.
2. Turn knob to OFF when finished.

To Use TRIPLE:

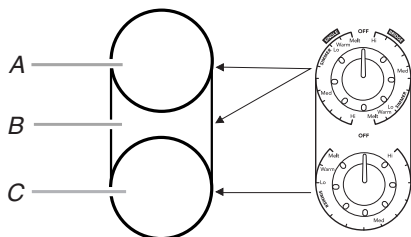
1. Push in and turn knob from the OFF position to the TRIPLE zone anywhere between MELT and HI.
2. Turn knob to OFF when finished.

Bridge Element (on 36" [91.4] models)

The bridge element allows maximum flexibility in the center cooking area.



Use the bridge area to create an oblong heated area to cook with large cookware.



A. Single size
B. Bridge area
C. Single size

To use SINGLE (A):

1. Push in and turn center rear knob from OFF position to the SINGLE zone anywhere between MELT and HI.
2. Turn knob to OFF when finished.

To use SINGLE and BRIDGE area (A + B):

1. Push in and turn center rear knob from OFF position to the BRIDGE zone anywhere between MELT and HI.
2. Turn knob to OFF when finished.

To use SINGLE (C):

1. Push in and turn right front knob from OFF position anywhere between MELT and HI.
2. Turn knob to OFF when finished.

To use both Single elements and Bridge (A+B+C):

1. Turn on Single and Bridge (A+B).
2. Turn on Single (C).
3. Turn knob to OFF when finished.

Warm Function (on Smart Control models)

⚠ WARNING

Food Poisoning Hazard

Do not let food sit for more than one hour before or after cooking.

Doing so can result in food poisoning or sickness.

The Warm function can be used to keep cooked foods warm, and may be used whether or not the other surface cooking zones are in use. One hour is the recommended maximum time to maintain food quality.

It is not recommended for heating cold foods.

Use only cookware and dishes recommended for oven and cooktop use, and that have flat bottoms to make direct contact with the cooktop surface. Use pot holders or oven mitts to remove cookware.

Cover all foods with a lid or aluminum foil. Do not use plastic wrap to cover food, as it may melt onto the cooktop surface. When warming baked goods, allow a small opening in the cover for moisture to escape.

Food quality may deteriorate if food is kept on the Warm function for an extended period of time. For best results, keep food warm for no longer than 30 to 45 minutes.

The Warm element is available on all surface cooking areas, and can be used as either an element for warming foods, or for normal element operation.

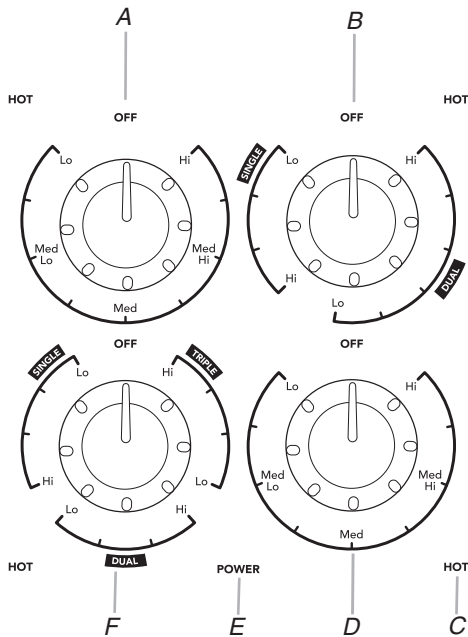
To Use:

1. Rotate knob to WARM position.
2. When finished cooking, turn knob to OFF position.

PARTS AND FEATURES - TRADITIONAL KNOB MODELS

Control Panels

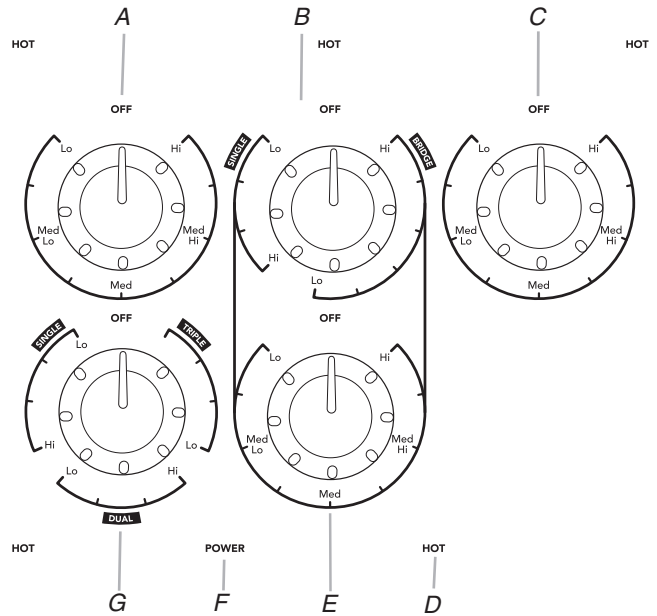
30" (76.2 cm) Traditional Knob Models



- A. Left rear control knob
- B. Right rear control knob (dual-circuit element)
- C. Hot surface indicator light

- D. Right front control knob
- E. Power on light
- F. Left front control knob (triple-circuit element)

36" (91.4cm) Traditional Knob Models

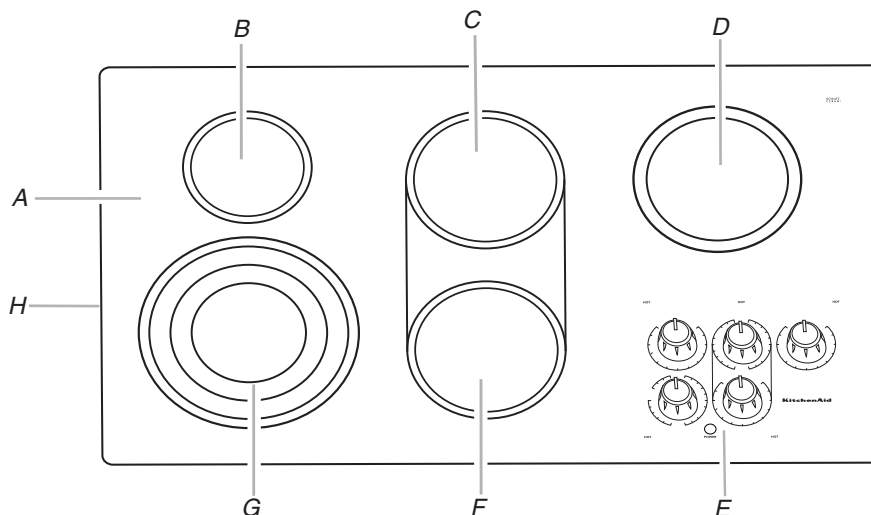


- A. Left rear control knob
- B. Center rear control knob (dual-circuit element "bridge")
- C. Right rear control knob

- D. Hot surface indicator lights
- E. Right front control knob
- F. Power on light
- G. Left front control knob (triple-circuit element)

Cooktops

36" (91.4 cm) Traditional Knob Model shown



- A. Ceramic glass cooktop (stainless steel models have metal trim)
- B. Left rear surface cooking area
- C. Center rear surface cooking area (with dual-circuit element "bridge")

- D. Right rear surface cooking area
- E. Control panel
- F. Right front surface cooking area

- G. Left front surface cooking area (with triple-circuit element)
- H. Model and serial number plate (located underneath cooktop on metal cabinet)

COOKTOP CONTROLS - TRADITIONAL KNOB MODELS

⚠ WARNING

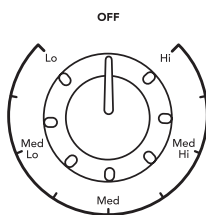


Fire Hazard

Turn off all controls when done cooking.
Failure to do so can result in death or fire.

The controls can be set anywhere between HI and LO.

NOTE: Where 240V installation is not available, this cooktop will automatically adjust to 208V operation.



To Use:

Push in and turn knob to desired heat setting.

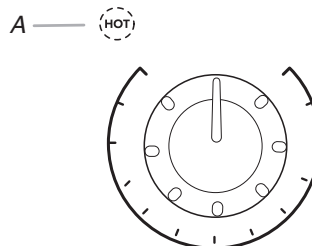
Use the following chart as a guide when setting heat levels.

SETTING	RECOMMENDED USE
Hi	<ul style="list-style-type: none"> Bring liquid to a boil.
Med Hi Medium High	<ul style="list-style-type: none"> Hold a rapid boil. Quickly brown or sear food.
Med Medium	<ul style="list-style-type: none"> Maintain a slow boil. Fry or sauté foods. Cook soups, sauces and gravies.
Med Lo Medium Low	<ul style="list-style-type: none"> Stew or steam food. Simmer
Lo	<ul style="list-style-type: none"> Keep cooked foods warm. Melt chocolate or butter.
Dual/Triple Circuit Elements	<ul style="list-style-type: none"> Home canning. Large-diameter cookware. Large quantities of food.

REMEMBER: When cooktop is in use, the entire cooktop area may become hot.

Hot Surface Indicator Lights

The Hot Surface Indicator Lights are located next to each of the cooktop controls. The Hot Surface Indicator Lights will glow as long as any surface cooking area is too hot to touch, even after the surface cooking area(s) is turned off.



A. Hot surface indicator light

If the cooktop is on when a power failure occurs, the Hot Surface Indicator Lights will remain on after the power is restored to the cooktop. They will remain on until the cooktop has cooled completely.

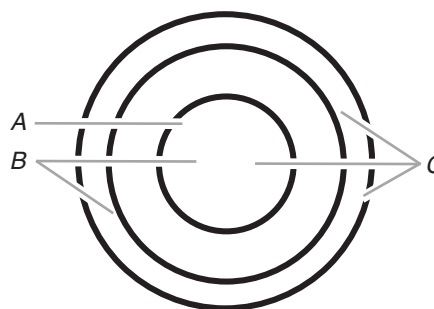
Power Light

Each cooktop has a Power On light. The light will glow when any burner is on.



Dual/Triple-Circuit Element

The dual-size and triple-size elements offer flexibility depending on the size of the cookware. Single size can be used in the same way as a regular element. The dual and triple sizes combine single, dual and outer element and are recommended for larger cookware, large quantities of food, and home canning.



A. Single size
B. Dual size
C. Triple size

To Use SINGLE:

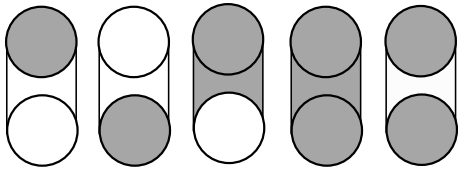
1. Push in and turn knob from the OFF position to the SINGLE zone anywhere between LO and HI.
2. Turn knob to OFF when finished.

To Use DUAL and TRIPLE:

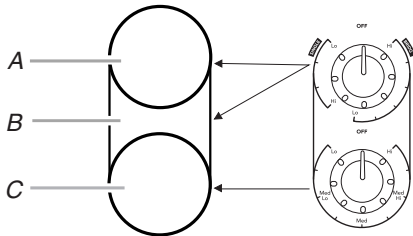
1. Push in and turn knob from the OFF position to the DUAL or TRIPLE zone anywhere between LO and HI.
2. Turn knob to OFF when finished.

Bridge Element (on 36" [91.4 cm] models)

The bridge element allows maximum flexibility in the center cooking area.



Use the bridge area to create an oblong heated area to cook with large cookware.



A. Single size
B. Bridge area
C. Single size

To use **SINGLE and BRIDGE area (A + B):**

1. Push in and turn center rear knob from OFF position to the BRIDGE zone anywhere between LO and HI.
2. Turn knob to OFF when finished.

To use **SINGLE (A):**

1. Push in and turn center rear knob from OFF position to the SINGLE zone anywhere between LO and HI.
2. Turn knob to OFF when finished.

To use **SINGLE (C):**

1. Push in and turn right front knob from OFF position anywhere between LO and HI.
2. Turn knob to OFF when finished.

To use **both Single elements and Bridge (A+B+C):**

1. Turn on Single and Bridge (A+B).
2. Turn on Single (C).
3. Turn knob to OFF when finished.

COOKTOP USE

Ceramic Glass

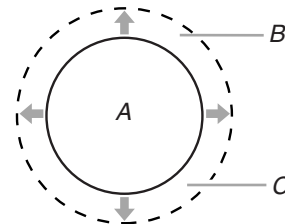
The surface cooking area will glow red when an element is on. It may cycle on and off to maintain the selected heat level.

It is normal for the surface of white ceramic glass to appear to change color when surface cooking areas are hot. As the glass cools, it will return to its original color.

Wiping off the cooktop before and after each use will help keep it free from stains and provide the most even heating. On cooktops with white ceramic glass, soils and stains may be more visible, and may require more cleaning and care. For more information, see "General Cleaning" section.

- Do not store jars or cans above the cooktop. Dropping a heavy or hard object onto the cooktop could crack the cooktop.
- Do not leave a hot lid on the cooktop. As the cooktop cools, air can become trapped between the lid and the cooktop, and the ceramic glass could break when the lid is removed.
- For foods containing sugar in any form, clean up all spills and soils as soon as possible. Allow the cooktop to cool down slightly. Then, while wearing oven mitts, remove the spills while the surface is still warm. If sugary spills are allowed to cool down, they can adhere to the cooktop and can cause pitting and permanent marks.
- Do not slide cookware or bakeware across the cooktop. Aluminum or copper bottoms and rough finishes on cookware or bakeware could leave scratches or marks on the cooktop.
- Do not cook popcorn in prepackaged aluminum containers on the cooktop. They could leave aluminum marks that cannot be removed completely.
- Do not allow objects that could melt, such as plastic or aluminum foil, to touch any part of the entire cooktop.
- Do not use the cooktop as a cutting board.

- Use cookware about the same size as the surface cooking area. Cookware should not extend more than ½" (1.3 cm) outside the area.



A. Surface cooking area
B. Cookware/canner
C. ½" (1.3 cm) maximum overhang

- Use flat-bottomed cookware for best heat conduction and energy efficiency. Cookware with rounded, warped, ribbed or dented bottoms could cause uneven heating and poor cooking results.
- Determine flatness by placing the straight edge of a ruler across the bottom of the cookware. While you rotate the ruler, no space or light should be visible between it and the cookware.
- Cookware designed with slightly indented bottoms or small expansion channels can be used.
- Make sure the bottoms of pots and pans are clean and dry before using them. Residue and water can leave deposits when heated.
- Do not cook foods directly on the cooktop.

Home Canning

When canning for long periods, alternate the use of surface cooking areas, elements or surface burners between batches. This allows time for the most recently used areas to cool.

- Center the canner on the grate or largest surface cooking area or element. Canners should not extend more than ½" (1.3 cm) outside the cooking area.
 - Do not place canner on 2 surface cooking areas, elements or surface burners at the same time.
 - On ceramic glass models, use only flat-bottomed canners.
 - For more information, contact your local agricultural department. Companies that manufacture home canning products can also offer assistance.
-

Cookware

IMPORTANT: Do not leave empty cookware on a hot surface cooking area, element or surface burner.

Ideal cookware should have a flat bottom, straight sides, a well-fitting lid and the material should be of medium-to-heavy thickness.

Rough finishes may scratch the cooktop. Aluminum and copper may be used as a core or base in cookware. However, when used as a base they can leave permanent marks on the cooktop or grates.

Cookware material is a factor in how quickly and evenly heat is transferred, which affects cooking results. A nonstick finish has the same characteristics as its base material. For example, aluminum cookware with a nonstick finish will take on the properties of aluminum.

Use the following chart as a guide for cookware material characteristics.

COOKWARE	CHARACTERISTICS
Aluminum	<ul style="list-style-type: none">■ Heats quickly and evenly.■ Suitable for all types of cooking.■ Medium or heavy thickness is best for most cooking tasks.
Cast iron	<ul style="list-style-type: none">■ Heats slowly and evenly.■ Good for browning and frying.■ Maintains heat for slow cooking.
Ceramic or Ceramic glass	<ul style="list-style-type: none">■ Follow manufacturer's instructions.■ Heats slowly, but unevenly.■ Ideal results on low to medium heat settings.
Copper	<ul style="list-style-type: none">■ Heats very quickly and evenly.
Earthenware	<ul style="list-style-type: none">■ Follow manufacturer's instructions.■ Use on low heat settings.
Porcelain enamel-on-steel or cast iron	<ul style="list-style-type: none">■ See stainless steel or cast iron.
Stainless steel	<ul style="list-style-type: none">■ Heats quickly, but unevenly.■ A core or base of aluminum or copper on stainless steel provides even heating.

COOKTOP CARE

General Cleaning

IMPORTANT: Before cleaning, make sure all controls are off and the cooktop is cool. Always follow label instructions on cleaning products.

Soap, water and a soft cloth or sponge are suggested first unless otherwise noted.

STAINLESS STEEL/PAINTED TRIM (on some models)

Do not use soap-filled scouring pads, abrasive cleaners, Cooktop Cleaner, steel-wool pads, gritty washcloths or some paper towels. Damage may occur.

Rub in direction of grain to avoid damaging.

- KitchenAid® Stainless Steel Cleaner & Polish (not included): See "Assistance or Service" section to order.
 - Liquid detergent or all-purpose cleaner: Rinse with clean water and dry with soft, lint-free cloth.
 - Vinegar for hard water spots.
-

COOKTOP CONTROLS

Do not use steel wool, abrasive cleansers or oven cleaner.

Do not soak knobs.

When replacing knobs, make sure knobs are in the Off position.

Do not remove seals under knobs.

- Soap and water or dishwasher:
Pull knobs straight away from control panel to remove
-

CERAMIC GLASS

Do not use steel wool, abrasive powder cleansers, chlorine bleach, rust remover or ammonia because damage may occur. Always wipe with a clean, wet cloth or sponge and dry thoroughly to prevent streaking and staining.

Cooktop Cleaner is recommended for regular use to help prevent scratches, pitting and abrasions, and to condition the cooktop. It may be ordered as an accessory. See "Assistance or Service" section to order.

A Cooktop Scraper is also recommended for stubborn soils, and can be ordered as an accessory. See "Assistance or Service" section to order. The Cooktop Scraper uses razor blades. **Store razor blades out of the reach of children.**

Light to moderate soil

- Paper towels or clean damp sponge:
Clean while the cooktop is still warm. You may want to wear oven mitts while cleaning the cooktop.

Sugary spills (jellies, candy, syrup)

- Cooktop Scraper:
Clean while the cooktop is still warm. You may want to wear oven mitts while cleaning the cooktop.
- Cooktop Cleaner and clean damp paper towel:
Clean as soon as cooktop has cooled down. Rub creme into surface with a damp paper towel or soft cloth. Continue rubbing until white film disappears.

Heavy soil, dark streaks, specks and discoloration

- Cooktop Cleaner or nonabrasive cleanser:
Rub product into soil with a damp paper towel or soft cloth. Continue rubbing until white film disappears.

Burned-on soil

- Cooktop Cleaner and Cooktop Scraper:
Rub creme into soil with damp paper towel. Hold scraper as flat as possible on surface and scrape. Repeat for stubborn spots. Polish entire cooktop with creme and paper towel.

Metal marks from aluminum and copper

- Cooktop Cleaner:
Clean as soon as cooktop has cooled down. Rub creme into surface with a damp paper towel or soft cloth. Continue rubbing until white film disappears. The marks will not totally disappear but after many cleanings become less noticeable.

Tiny scratches and abrasions

- Cooktop Cleaner:
Rub creme into surface with a damp paper towel or soft cloth. Continue rubbing until white film disappears. Scratches and abrasions do not affect cooking performance and after many cleanings become less noticeable.

TROUBLESHOOTING

Try the solutions suggested here first in order to avoid the cost of an unnecessary service call.

Nothing will operate

- **Is the cooktop wired properly?** See the Installation Instructions for more information.
- **Has a household fuse blown, or has a circuit breaker tripped?** Replace the fuse or reset the circuit breaker. If the problem continues, call an electrician.

Cooktop will not operate

- **On models with knob controls, is the control knob set correctly?** Push in the knob before turning to a setting.
- **On models with electronic touch controls, is the cooktop control set correctly?** Touch ON/OFF before selecting a setting.
- **On models with touch controls, is the "Control Lock/ALL OFF" Cooktop Lockout set?** See "Control Lock/All Off" section.

Excessive heat around cookware on cooktop

- **Is the cookware the proper size?** Use cookware about the same size as the surface cooking area, element or surface burner. Cookware should not extend more than 1/2" (1.3 cm) outside the cooking area.

Cooktop has flashing lights

- **Are there lights on the cooktop flashing on and off?**
 1. Make sure the cooktop controls are OFF.
 2. Clean the cooktop touch control panel thoroughly. See "General Cleaning" section.
 3. If the cooktop lights continue to flash, disconnect power or unplug the cooktop.
 4. After a few seconds, reconnect power or plug in the cooktop.
 5. If the lights continue to blink on and off, call for service.

Cooktop cooking results not what expected

- **Is the proper cookware being used?** See "Cookware" section.
- **Is the cooktop control set to the proper heat level?** See "Cooktop Controls" section.
- **Is the appliance level?** Level the appliance. See the Installation Instructions.

ASSISTANCE OR SERVICE

Before calling for assistance or service, please check "Troubleshooting." It may save you the cost of a service call. If you still need help, follow the instructions below.

When calling, please know the purchase date and the complete model and serial number of your appliance. This information will help us to better respond to your request.

If you need replacement parts

If you need to order replacement parts, we recommend that you use only factory specified parts. These factory specified parts will fit right and work right because they are made with the same precision used to build every new KITCHENAID® appliance.

To locate factory specified parts in your area, call us or your nearest KitchenAid designated service center.

In the U.S.A.

Call the KitchenAid Customer eXperience Center toll free:

1-800-422-1230.

Our consultants provide assistance with:

- Features and specifications on our full line of appliances.
- Installation information.
- Accessory and repair parts sales.
- Specialized customer assistance (Spanish speaking, hearing impaired, limited vision, etc.).
- Referrals to local dealers, repair parts distributors, and service companies. KitchenAid designated service technicians are trained to fulfill the product warranty and provide after-warranty service, anywhere in the United States.

To locate the KitchenAid designated service company in your area, you can also look in your telephone directory Yellow Pages.

For further assistance

If you need further assistance, you can write to KitchenAid with any questions or concerns at:

KitchenAid Brand Home Appliances
Customer eXperience Center
553 Benson Road
Benton Harbor, MI 49022-2692

Please include a daytime phone number in your correspondence.

Accessories U.S.A.

To order accessories, call the KitchenAid Customer eXperience Center toll free at **1-800-442-9991** and follow the menu prompts. Or visit our website at www.kitchenaid.com and click on "Shop-Online," then "Accessories." Portable appliances, bakeware, cookware, gadgets and textiles are also available.

Cooktop Cleaner

(ceramic glass models)

Order Part Number 31464

Cooktop Protectant

(ceramic glass models)

Order Part Number 31463

Cooktop Scraper

(ceramic glass models)

Order Part Number WA906B

KitchenAid® Stainless Steel Cleaner & Polish

(stainless steel models)

Order Part Number 8171420

All-Purpose Appliance Cleaner

Order Part Number 31662

In Canada

Please call the KitchenAid Canada Customer Interaction Centre toll free: **1-800-807-6777.**

Our consultants provide assistance with:

- Features and specifications on our full line of appliances.
- Use and maintenance procedures.
- Accessory and repair parts sales.
- Referrals to local dealers, repair parts distributors, and service companies. KitchenAid Canada designated service technicians are trained to fulfill the product warranty and provide after-warranty service, anywhere in Canada.

For further assistance

If you need further assistance, you can write to KitchenAid Canada with any questions or concerns at:

Customer Interaction Centre
KitchenAid Canada
1901 Minnesota Court
Mississauga, Ontario L5N 3A7

Please include a daytime phone number in your correspondence.

KITCHENAID® COOKTOP WARRANTY

LIMITED WARRANTY

For one year from the date of purchase, when this major appliance is operated and maintained according to instructions attached to or furnished with the product, KitchenAid brand of Whirlpool Corporation or Whirlpool Canada LP (hereafter "KitchenAid") will pay for Factory Specified Parts and repair labor to correct defects in materials or workmanship. Service must be provided by a KitchenAid designated service company. This limited warranty is valid only in the United States or Canada and applies only when the major appliance is used in the country in which it was purchased. Outside the 50 United States and Canada, this limited warranty does not apply. Proof of original purchase date is required to obtain service under this limited warranty.

SECOND THROUGH FIFTH YEAR LIMITED WARRANTY ON CERTAIN COMPONENT PARTS

In the second through fifth years from the date of purchase, when this appliance is operated and maintained according to instructions attached to or furnished with the product, KitchenAid or KitchenAid Canada will pay for Factory Specified Parts for the following components if defective in materials or workmanship:

- Electric element
- Gas burners
- Solid state touch control system parts
- Any cracking of the rubber seal between the ceramic glass cooktop and porcelain edge
- Any cracking due to thermal shock of the ceramic glass cooktop
- Surface unit elements

ITEMS EXCLUDED FROM WARRANTY

This limited warranty does not cover:

1. Service calls to correct the installation of your major appliance, to instruct you on how to use your major appliance, to replace or repair house fuses, or to correct house wiring or plumbing.
2. Service calls to repair or replace appliance light bulbs, air filters or water filters. Consumable parts are excluded from warranty coverage.
3. Repairs when your major appliance is used for other than normal, single-family household use or when it is used in a manner that is contrary to published user or operator instructions and/or installation instructions.
4. Damage resulting from accident, alteration, misuse, abuse, fire, flood, acts of God, improper installation, installation not in accordance with electrical or plumbing codes, or use of consumables or cleaning products not approved by KitchenAid.
5. Cosmetic damage, including scratches, dents, chips or other damage to the finish of your major appliance, unless such damage results from defects in materials or workmanship and is reported to KitchenAid within 30 days from the date of purchase.
6. Costs associated with the removal from your home of your major appliance for repairs. This major appliance is designed to be repaired in the home and only in-home service is covered by this warranty.
7. Repairs to parts or systems resulting from unauthorized modifications made to the appliance.
8. Expenses for travel and transportation for product service if your major appliance is located in a remote area where service by an authorized KitchenAid servicer is not available.
9. The removal and reinstallation of your major appliance if it is installed in an inaccessible location or is not installed in accordance with published installation instructions.
10. Major appliances with original model/serial numbers that have been removed, altered or cannot be easily determined. This warranty is void if the factory applied serial number has been altered or removed from your major appliance.

The cost of repair or replacement under these excluded circumstances shall be borne by the customer.

DISCLAIMER OF IMPLIED WARRANTIES; LIMITATION OF REMEDIES

CUSTOMER'S SOLE AND EXCLUSIVE REMEDY UNDER THIS LIMITED WARRANTY SHALL BE PRODUCT REPAIR AS PROVIDED HEREIN. IMPLIED WARRANTIES, INCLUDING WARRANTIES OF MERCHANTABILITY OR FITNESS FOR A PARTICULAR PURPOSE, ARE LIMITED TO ONE YEAR OR THE SHORTEST PERIOD ALLOWED BY LAW. KITCHENAID SHALL NOT BE LIABLE FOR INCIDENTAL OR CONSEQUENTIAL DAMAGES. SOME STATES AND PROVINCES DO NOT ALLOW THE EXCLUSION OR LIMITATION OF INCIDENTAL OR CONSEQUENTIAL DAMAGES, OR LIMITATIONS ON THE DURATION OF IMPLIED WARRANTIES OF MERCHANTABILITY OR FITNESS, SO THESE EXCLUSIONS OR LIMITATIONS MAY NOT APPLY TO YOU. THIS WARRANTY GIVES YOU SPECIFIC LEGAL RIGHTS, AND YOU MAY ALSO HAVE OTHER RIGHTS WHICH VARY FROM STATE TO STATE OR PROVINCE TO PROVINCE.

If outside the 50 United States and Canada, contact your authorized KitchenAid dealer to determine if another warranty applies.

If you need service, first see the "Troubleshooting" section of the Use & Care Guide. After checking "Troubleshooting," you may find additional help by checking the "Assistance or Service" section or by calling KitchenAid. In the U.S.A., call **1-800-422-1230**. In Canada, call **1-800-807-6777**.

9/07

Keep this book and your sales slip together for future reference. You must provide proof of purchase or installation date for in-warranty service.

Write down the following information about your major appliance to better help you obtain assistance or service if you ever need it. You will need to know your complete model number and serial number. You can find this information on the model and serial number label located on the product.

Dealer name _____

Address _____

Phone number _____

Model number _____

Serial number _____

Purchase date _____

SÉCURITÉ DE LA TABLE DE CUISSON

Votre sécurité et celle des autres est très importante.

Nous donnons de nombreux messages de sécurité importants dans ce manuel et sur votre appareil ménager. Assurez-vous de toujours lire tous les messages de sécurité et de vous y conformer.



Voici le symbole d'alerte de sécurité.

Ce symbole d'alerte de sécurité vous signale les dangers potentiels de décès et de blessures graves à vous et à d'autres.

Tous les messages de sécurité suivront le symbole d'alerte de sécurité et le mot "DANGER" ou "AVERTISSEMENT". Ces mots signifient :

⚠ DANGER

Risque possible de décès ou de blessure grave si vous ne suivez pas immédiatement les instructions.

⚠ AVERTISSEMENT

Risque possible de décès ou de blessure grave si vous ne suivez pas les instructions.

Tous les messages de sécurité vous diront quel est le danger potentiel et vous disent comment réduire le risque de blessure et ce qui peut se produire en cas de non-respect des instructions.

IMPORTANTES INSTRUCTIONS DE SÉCURITÉ

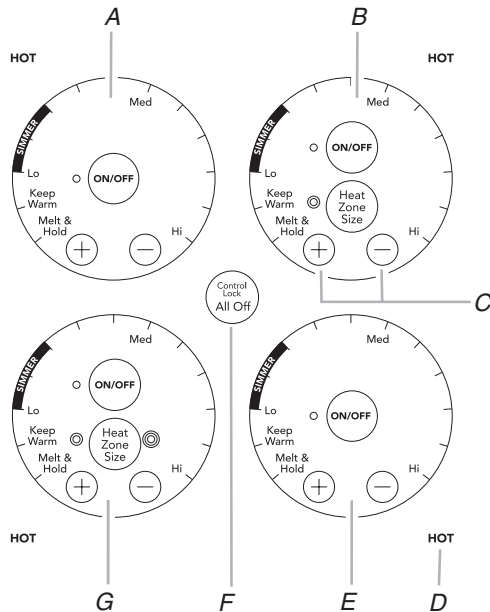
AVERTISSEMENT : Pour réduire le risque d'incendie, de choc électrique, de blessures ou de dommages lors de l'utilisation de la table de cuisson, observer les précautions élémentaires suivantes, y compris ce qui suit :

- **MISE EN GARDE** : Ne pas remiser dans les armoires au-dessus d'une table de cuisson, des articles que des enfants pourraient vouloir atteindre. Les enfants pourraient se brûler ou se blesser en grim pant sur la table de cuisson.
 - Installation appropriée – S'assurer que la table de cuisson est correctement installée et reliée à la terre par un technicien qualifié.
 - Ne jamais utiliser la table de cuisson pour réchauffer ou chauffer la pièce.
 - Ne pas laisser les enfants seuls – Les enfants ne doivent pas être laissés seuls ou sans surveillance dans la pièce où la table de cuisson est en service. Ne jamais laisser les enfants s'asseoir ou se tenir sur une partie quelconque de la table de cuisson.
 - Porter des vêtements appropriés – Des vêtements amples ou détachés ne doivent jamais être portés pendant l'utilisation de la table de cuisson.
 - Entretien par l'utilisateur – Ne pas réparer ou remplacer toute pièce de la table de cuisson si ce n'est pas spécifiquement recommandé dans le manuel. Toute autre opération d'entretien ou de réparation doit être confiée à un technicien qualifié.
 - Remisage sur la table de cuisson – Des matériaux inflammables ne doivent pas être remisés près des éléments à la surface.
 - Ne pas utiliser d'eau sur un feu de graisse – Éteindre le feu ou la flamme ou utiliser un extincteur à produits chimiques secs ou à mousse.
 - N'utiliser que des mitaines de four sèches – Des mitaines de four mouillées ou humides sur des surfaces chaudes peuvent provoquer des brûlures provenant de la vapeur. Ne pas laisser les mitaines de four toucher les éléments chauffants. Ne pas utiliser une serviette ou autre tissu épais.
 - **NE PAS TOUCHER LES ÉLÉMENTS À LA SURFACE OU L'ESPACE PRÈS DES ÉLÉMENTS** – Les éléments de surface peuvent être chauds même lorsqu'ils ont une teinte foncée. Les endroits près des éléments à la surface peuvent devenir assez chauds pour provoquer des brûlures. Pendant et après l'utilisation, ne pas toucher les éléments chauffants et ne pas laisser les vêtements ou autres matériaux inflammables entrer en contact avec ces éléments de surface ou les endroits près des éléments, avant qu'ils soient suffisamment refroidis. Ces endroits comprennent la table de cuisson et les surfaces près de la table de la cuisson.
 - Utiliser des ustensiles de format approprié – La table de cuisson est munie d'un ou de plusieurs éléments chauffants de différentes grandeurs. Choisir les ustensiles qui ont un fond plat assez grand pour couvrir l'élément chauffant de la surface de cuisson. L'utilisation d'ustensiles trop petits exposera une partie de l'élément chauffant, ce qui peut provoquer l'inflammation des vêtements. L'utilisation d'un récipient de format correct améliore l'efficacité de la cuisson.
 - Ne jamais laisser les éléments de la table de cuisson sans surveillance alors qu'ils chauffent à la puissance maximale – Il pourrait en résulter une ébullition qui cause de la fumée et des renversements de corps gras qui peuvent s'enflammer.
 - Ustensiles de cuisson vitrifiés – Seulement certains types d'ustensiles de verre, vitrocéramique, céramique, faïence ou autres surfaces vitrifiées conviennent pour le service sur une table de cuisson, sans bris attribuables aux changements soudains de température.
 - Les poignées des ustensiles doivent être tournées vers l'intérieur et non vers le dessus des éléments adjacents – Pour réduire les risques de brûlures, d'inflammation de produits combustibles et de renversements dus à l'entrechoquement non intentionnel des ustensiles, la poignée d'un ustensile doit être positionnée de sorte qu'elle est tournée vers l'intérieur et non au-dessus des éléments de surface adjacents.
 - Ne pas faire cuire sur une table de cuisson endommagée – Si la table de cuisson est brisée, les solutions de nettoyage et les renversements peuvent pénétrer dans la table brisée et créer le risque d'un choc électrique. Contacter immédiatement un technicien qualifié.
 - Nettoyer la table de cuisson avec prudence – Si une éponge ou un chiffon mouillé est utilisé pour essuyer les renversements sur une surface de cuisson chaude, éviter les brûlures causées par la vapeur chaude. Certains nettoyants peuvent produire des émanations désagréables lorsqu'ils sont utilisés sur une surface chaude.
- Pour les appareils avec hotte de ventilation –**
- Nettoyer les hottes de ventilation fréquemment – La graisse ne doit pas s'accumuler sur la hotte ou le filtre.
 - Lorsque vous flambez des aliments sous la hotte, mettre le ventilateur en marche.
- Pour les appareils à éléments en spirale –**
- S'assurer que les cuvettes de propreté sont en place – L'absence de ces cuvettes au cours de la cuisson peut causer des dommages aux fils ou aux composants en dessous des éléments.
 - Garnissages protecteurs – Ne pas recouvrir les cuvettes de papier d'aluminium sauf tel que suggéré dans le manuel. L'installation incorrecte de papier d'aluminium ou autre matériau peut causer un risque de choc électrique ou d'incendie.
 - Ne pas tremper les éléments de chauffage amovibles – Les éléments de chauffage ne doivent jamais être immergés dans l'eau.

CONSERVEZ CES INSTRUCTIONS

PIÈCES ET CARACTÉRISTIQUES MODÈLES À COMMANDE ÉLECTRONIQUE TACTILE

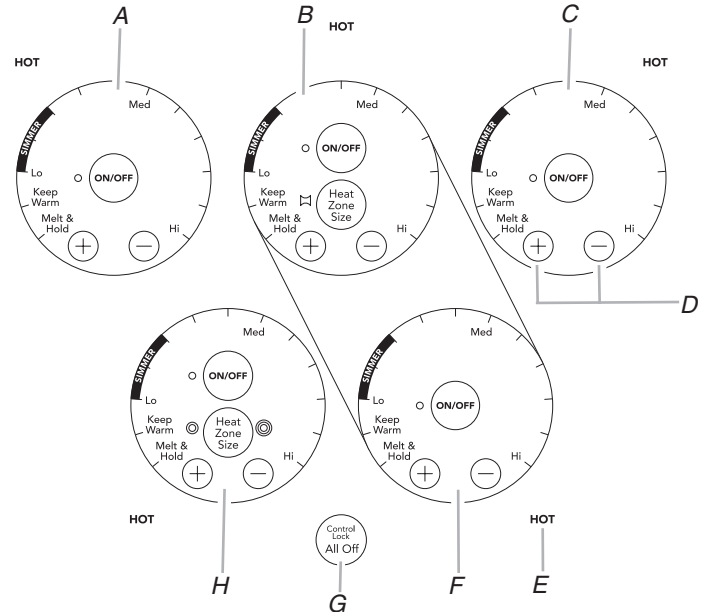
Modèles à commande électronique tactile de 30" (76,2 cm)



- A. Commande tactile arrière gauche (mijotage, fonction Keep Warm, fonction Melt & Hold)
- B. Commande tactile arrière droite (mijotage, fonction Keep Warm, fonction Melt & Hold, élément à double circuit)
- C. Commande tactile d'augmentation/diminution de la température

- D. Témoin lumineux de surface chaude
- E. Commande tactile avant droite (mijotage, fonction Keep Warm, fonction Melt & Hold)
- F. All/Off control lock (verrouillage des commandes/toutes commandes éteintes)
- G. Commande tactile avant gauche (mijotage, fonction Keep Warm, fonction Melt & Hold, élément à triple circuit)

Modèles à commande électronique tactile de 36" (91,4 cm)

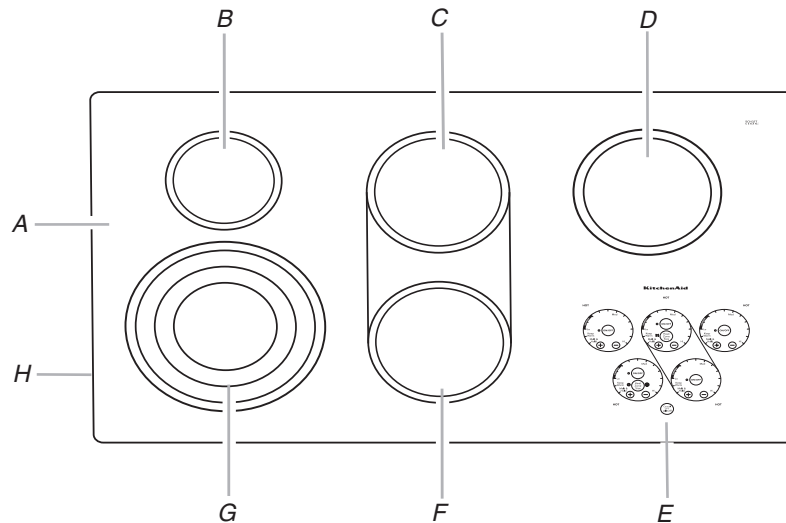


- A. Commande tactile arrière gauche (mijotage, fonction Keep Warm, fonction Melt & Hold)
- B. Commande tactile centrale arrière (mijotage, fonction Keep Warm, fonction Melt & Hold, "pont" de l'élément à double circuit)
- C. Commande tactile arrière droite (mijotage, fonction Keep Warm, fonction Melt & Hold)

- D. Commande tactile d'augmentation/diminution de la température
- E. Témoins lumineux de surface chaude
- F. Commande tactile avant droite (mijotage, fonction Keep Warm, fonction Melt & Hold)
- G. All/Off control lock (verrouillage des commandes/ toutes commandes éteintes)
- H. Commande tactile avant gauche (mijotage, fonction Keep Warm, fonction Melt & Hold, élément à triple circuit)

Tables de cuisson

Modèle à commande électronique tactile de 36" (91,4 cm) illustré



A. Table de cuisson en vitrocéramique (certains modèles comportent une garniture en acier inoxydable ou en métal peint)

B. Zone de cuisson à la surface arrière gauche

C. Zone de cuisson à la surface centrale arrière (avec "pont" de l'élément à double circuit)

D. Zone de cuisson à la surface arrière droite

E. Tableau de commande

F. Zone de cuisson à la surface avant droite

G. Zone de cuisson à la surface avant gauche (avec élément à triple circuit)

H. Plaque signalétique de numéro de modèle et de série (située sous la table de cuisson sur la caisse en métal)

COMMANDES DE LA TABLE DE CUISSON MODÈLES À COMMANDE ÉLECTRONIQUE TACTILE

⚠ AVERTISSEMENT



Risque d'incendie

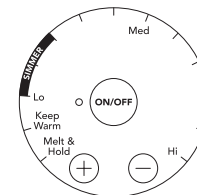
Fermer tous les réglages lorsque la cuisson est terminée.

Le non-respect de cette instruction peut causer un décès ou un incendie.

Les commandes électroniques tactiles offrent une grande variété de réglages de chaleur pour des résultats de cuisson optimaux. Lorsqu'on fait fondre des aliments comme du chocolat ou du beurre ou lorsqu'on fait lever du pain, la zone de cuisson à la surface peut être réglée à MELT & HOLD (fondre et garder) pour un fonctionnement minimal de l'élément.

Pour un fonctionnement maximal de l'élément, toutes les commandes tactiles de la table de cuisson peuvent être réglées à HI (élevé) lorsqu'on porte un liquide à ébullition rapidement. Appuyer sur la touche "moins" (-) pour atteindre immédiatement le réglage HI (élevé).

REMARQUE : Si une installation de 240 V n'est pas possible, cette table de cuisson se réglera automatiquement pour fonctionner à 208 V.



Utilisation :

1. Appuyer sur ON/OFF (marche/arrêt).
2. Appuyer sur la touche "plus" (+) ou "moins" (-) pour augmenter ou diminuer la puissance.
3. Pour sélectionner un niveau de puissance entre HI (élevé) et MELT & HOLD (fondre et garder), appuyer sur une des touches "+" ou "-" jusqu'à ce que le niveau désiré soit atteint.
4. À la fin de la cuisson, appuyer sur ON/OFF (marche/arrêt) pour éteindre la ou les zone(s) de cuisson à la surface individuellement, ou appuyer sur ALL OFF (toutes commandes éteintes) pour éteindre tous les éléments en même temps.

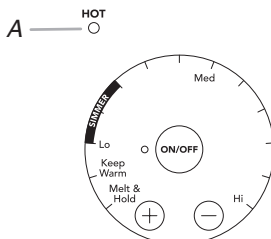
Utiliser le tableau suivant comme guide lors du réglage des niveaux de chaleur.

RÉGLAGE	UTILISATION RECOMMANDÉE
Hi (élevé)	<ul style="list-style-type: none"> ■ Pour commencer la cuisson des aliments. ■ Pour porter un liquide à ébullition.
Medium High (moyen élevé) Entre Med et Hi	<ul style="list-style-type: none"> ■ Pour maintenir une ébullition rapide. ■ Pour brunir ou saisir rapidement les aliments.
Med (moyen)	<ul style="list-style-type: none"> ■ Pour maintenir une ébullition lente. ■ Pour faire frire ou sauter les aliments.
Medium Low (moyen bas) Entre Med et Lo	<ul style="list-style-type: none"> ■ Pour cuire les soupes et les sauces. ■ Pour faire mijoter ou étuver les aliments.
Lo (bas) SIMMER (mijotage)	<ul style="list-style-type: none"> ■ Fournit le réglage le plus bas de mijotage/chaleur. ■ Mijotage (gamme de températures de mijotage).
Fonction Keep Warm (maintien au chaud)	<ul style="list-style-type: none"> ■ Pour garder au chaud les aliments cuits.
Fonction Melt & Hold (fondre et garder)	<ul style="list-style-type: none"> ■ Pour faire fondre le chocolat ou le beurre.
Éléments à double/triple circuit	<ul style="list-style-type: none"> ■ Préparation de conserves à la maison. ■ Ustensile de cuisson à grand diamètre. ■ Grandes quantités de nourriture.

N'OUBLIEZ PAS : Quand l'appareil est utilisé, toute la surface de la table de cuisson peut devenir chaude.

Témoins lumineux de surface chaude (sur les modèles à commande tactile)

Les témoins lumineux de surface chaude sont situés près de chaque commande tactile de la table de cuisson. Les témoins de surface chaude restent allumés tant qu'une zone de cuisson à la surface est trop chaude pour être touchée, même après que la ou les zone(s) sont éteintes.

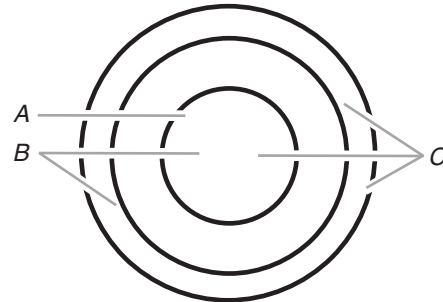


A. Témoin lumineux de surface chaude

Si une panne de courant survient alors que la table de cuisson est allumée, les témoins lumineux de surface chaude resteront allumés après le rétablissement de l'alimentation électrique à la table de cuisson. Ils resteront allumés jusqu'à ce que la table de cuisson refroidisse complètement.

Élément à double/triple circuit

Les éléments à double ou triple circuit offrent une souplesse d'utilisation en fonction de la taille de l'ustensile de cuisson. La dimension simple peut être utilisée de la même manière qu'un élément ordinaire. La dimension double et la dimension triple combinent l'élément simple, l'élément double et l'élément externe; leur utilisation est recommandée pour les ustensiles de cuisson de plus grande dimension, pour les grandes quantités de nourriture et la préparation de conserves à la maison.



A. Dimension simple
B. Dimension double
C. Dimension triple

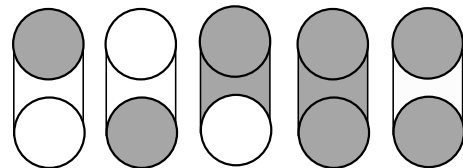
Utilisation :

1. Appuyer sur ON/OFF (marche/arrêt).
2. Appuyer sur HEAT ZONE SIZE (taille de la zone chauffée) pour sélectionner le diamètre de la zone désiré.
3. Sélectionner un niveau de puissance entre HI et MELT & HOLD. Appuyer sur la touche "plus" (+) ou "moins" (-) pour augmenter ou diminuer la puissance.
4. À la fin de la cuisson, appuyer sur ON/OFF (marche/arrêt) pour éteindre la ou les zone(s) de cuisson à la surface individuellement, ou appuyer sur ALL OFF (toutes commandes éteintes) pour éteindre tous les éléments en même temps.

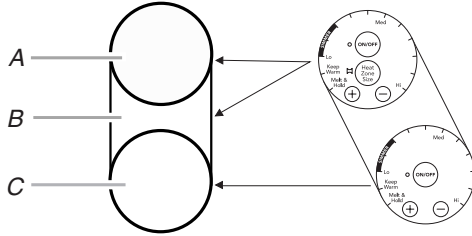
Élément de pont

(sur les modèles de 36" (91,4cm))

L'élément de pont permet une souplesse maximale dans la zone de cuisson centrale.



Utiliser la zone de pont afin d'obtenir le chauffage d'une zone de forme oblongue pour une cuisson au moyen d'un ustensile de cuisson de grande taille.



A. Dimension simple
B. Zone de pont
C. Dimension simple

Utilisation de l'élément SIMPLE (A) ou de l'élément SIMPLE et de l'élément de PONT (A + B) :

1. Appuyer sur ON/OFF (marche/arrêt) (commande tactile centrale arrière).
2. Appuyer une fois sur HEAT ZONE SIZE pour l'élément SIMPLE et l'élément de PONT (A+B) ou deux fois pour l'élément SIMPLE (A).
3. Sélectionner un niveau de puissance entre HI et MELT & HOLD. Appuyer sur la touche "plus" (+) ou "moins" (-) pour augmenter ou diminuer la puissance.
4. À la fin de la cuisson, appuyer sur ON/OFF (marche/arrêt) pour éteindre la ou les zone(s) de cuisson à la surface individuellement, ou appuyer sur ALL OFF (toutes commandes éteintes) pour éteindre tous les éléments en même temps.

Utilisation de l'élément SIMPLE (C) :

1. Appuyer sur ON/OFF (marche/arrêt) (commande tactile avant droite).
2. Sélectionner un niveau de puissance entre HI et MELT & HOLD. Appuyer sur les touches "+" ou "-" pour augmenter ou diminuer la puissance.
3. À la fin de la cuisson, appuyer sur ON/OFF (marche/arrêt) pour éteindre la zone de cuisson à la surface, ou appuyer sur ALL OFF (toutes commandes éteintes) pour éteindre tous les éléments en même temps.

Utilisation des deux éléments simples et de l'élément de pont (A + B + C) :

1. Allumer l'élément simple et l'élément de pont (A + B).
2. Allumer l'élément simple (C).
3. À la fin de la cuisson, appuyer sur ON/OFF (marche/arrêt) pour éteindre la ou les zone(s) de cuisson à la surface (individuellement), ou appuyer sur ALL OFF (toutes commandes éteintes) pour éteindre tous les éléments en même temps.

Control Lock/All Off (verrouillage des commandes/toutes commandes éteintes)

Les commandes tactiles Control Lock/All Off de la table de cuisson éteignent toutes les zones de cuisson à la surface qui sont utilisées en même temps.

La commande tactile de verrouillage des commandes de la table de cuisson prévient l'utilisation non intentionnelle des zones de cuisson à la surface. Lorsque la table de cuisson est verrouillée, les zones de cuisson à la surface ne peuvent pas être allumées au moyen des commandes tactiles de la table de cuisson.

Pour verrouiller la table de cuisson : Appuyer sur la touche CONTROL LOCK/ALL OFF pendant 5 secondes. Au bout de 5 secondes, CONTROL LOCK s'allume en rouge, indiquant que les commandes tactiles de la table de cuisson sont en position verrouillée.

Pour déverrouiller la table de cuisson : Appuyer sur la touche CONTROL LOCK/ALL OFF pendant 5 secondes.

Fonction Melt & Hold (fondre et garder) (sur les modèles à commande tactile électronique)

La fonction Melt & Hold est disponible sur tous les éléments de cuisson à la surface, et est idéale pour faire fondre du chocolat ou du beurre.

Utilisation :

1. Appuyer sur ON/OFF (marche/arrêt).
2. Appuyer une fois sur la touche "plus" (+) pour MELT & HOLD.
3. À la fin de la cuisson, appuyer sur ON/OFF (marche/arrêt) pour éteindre la zone de cuisson à la surface.

Fonction Keep Warm (maintien au chaud) (sur les modèles à commande tactile électronique)

⚠ AVERTISSEMENT

Risque d'empoisonnement alimentaire

Ne pas laisser des aliments reposer plus d'une heure avant ou après la cuisson.

Le non-respect de cette instruction peut causer un empoisonnement alimentaire ou une maladie.

La fonction Keep Warm peut être utilisée pour garder des aliments cuits au chaud; elle peut être utilisée que les zones de cuisson à la surface soient utilisées ou non. Une heure est la durée maximale recommandée pour maintenir la qualité des aliments.

La fonction n'est pas recommandée pour faire chauffer des aliments froids. Lorsqu'on utilise la fonction Keep Warm (maintien au chaud), le témoin lumineux ne devient pas rouge comme les zones de cuisson mais s'allume sur le tableau de commande.

Utiliser seulement les ustensiles et plats recommandés pour l'utilisation au four et sur la table de cuisson, et qui ont un fond plat permettant un contact direct avec la surface de la table de cuisson. Utiliser des mitaines de four ou des poignées pour retirer les ustensiles.

Couvrir tous les aliments avec un couvercle ou du papier d'aluminium. Ne pas utiliser de pellicule de plastique pour couvrir les aliments car elle pourrait fondre sur la surface de la table de cuisson. Lors du réchauffage de produits de boulangerie, prévoir une petite ouverture pour laisser l'humidité s'échapper.

La qualité des aliments peut se détériorer si on les laisse sur la fonction Keep Warm pendant une longue période. Pour obtenir les meilleurs résultats, ne pas maintenir les aliments au chaud plus de 30 à 45 minutes.

Sur les modèles à commandes tactiles, l'élément Keep Warm est disponible sur toutes les zones de cuisson à la surface, et peut être utilisé soit comme élément pour réchauffer des aliments, soit en fonctionnement normal.

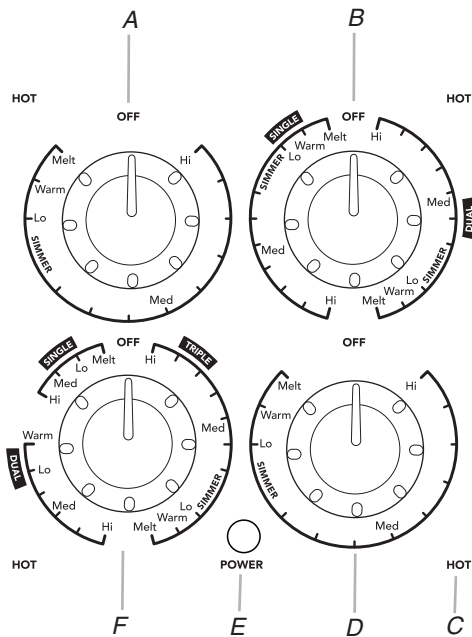
Utilisation :

1. Appuyer sur ON/OFF (marche/arrêt).
2. Appuyer deux fois sur la touche "plus" (+) pour KEEP WARM.
3. À la fin de la cuisson, appuyer sur ON/OFF (marche/arrêt) pour éteindre la zone de cuisson à la surface.

PIÈCES ET CARACTÉRISTIQUES - MODÈLES À BOUTON INTELLIGENT

Tableaux de commande

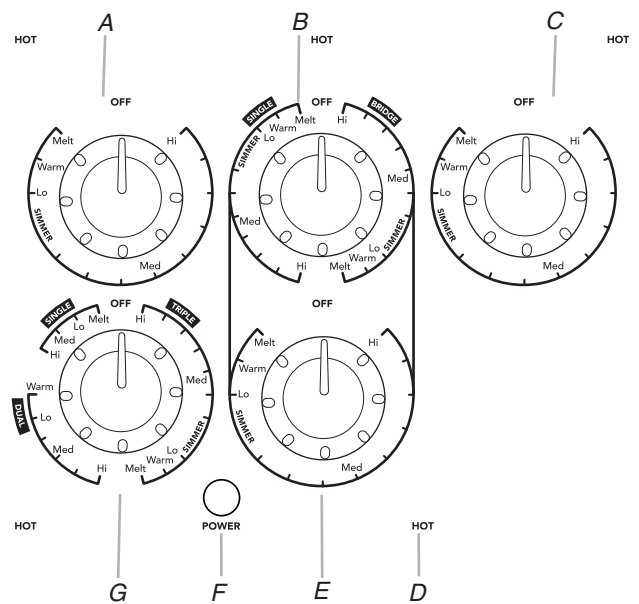
Modèles à bouton intelligent de 30" (76,2 cm)



- A. Commande arrière gauche (mijotage, fonction Keep Warm, fonction Melt)
- B. Commande arrière droite (mijotage, fonction Keep Warm, fonction Melt, élément à double circuit)
- C. Témoin lumineux de surface chaude

- D. Commande avant droite (mijotage, fonction Keep Warm, fonction Melt)
- E. Témoin d'alimentation
- F. Commande avant gauche (mijotage, fonction Keep Warm, fonction Melt, élément à triple circuit)

Modèles à bouton intelligent de 36" (91,4 cm)

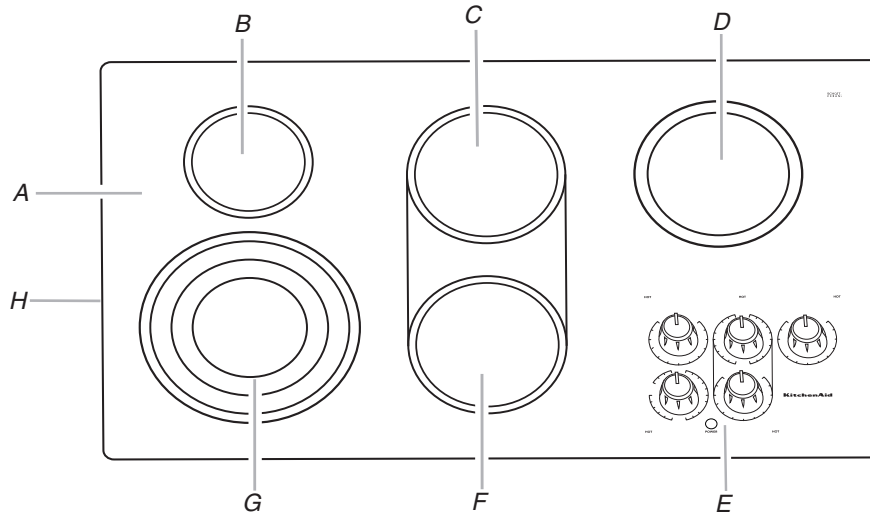


- A. Commande arrière gauche (mijotage, fonction Keep Warm, fonction Melt)
- B. Commande centrale arrière (mijotage, fonction Keep Warm, fonction Melt, "pont" de l'élément à double circuit)
- C. Commande arrière droite (mijotage, fonction Keep Warm, fonction Melt)

- D. Témoins lumineux de surface chaude
- E. Commande avant droite (mijotage, fonction Keep Warm, fonction Melt)
- F. Témoin d'alimentation
- G. Commande avant gauche (mijotage, fonction Keep Warm, fonction Melt, élément à triple circuit)

Tables de cuisson

Modèle de 36" (91,4 cm) à commande intelligente illustré



A. Table de cuisson en vitrocéramique (les modèles en acier inoxydable comportent une garniture métallique)

B. Zone de cuisson à la surface arrière gauche

C. Zone de cuisson à la surface centrale arrière (avec "pont" de l'élément à double circuit)

D. Zone de cuisson à la surface arrière droite

E. Tableau de commande

F. Zone de cuisson à la surface avant droite

G. Zone de cuisson à la surface avant gauche (avec élément à triple circuit)

H. Plaque signalétique de numéro de modèle et de série (située sous la table de cuisson sur la caisse en métal)

COMMANDES DE LA TABLE DE CUISSON - MODÈLES À BOUTON INTELLIGENT

⚠ AVERTISSEMENT



Risque d'incendie

Fermer tous les réglages lorsque la cuisson est terminée.

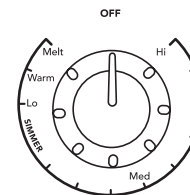
Le non-respect de cette instruction peut causer un décès ou un incendie.

Les commandes électroniques activées par bouton offrent une grande variété de réglages de chaleur pour des résultats de cuisson optimaux. Lorsqu'on fait fondre des aliments comme du chocolat ou du beurre ou lorsqu'on fait lever du pain, la zone de cuisson à la surface peut être réglée à MELT (fondre) pour un fonctionnement minimal de l'élément.

Pour que les aliments cuits restent chauds ou pour chauffer les plats de service, la zone de cuisson à la surface peut être réglée à WARM (chaud).

Pour un fonctionnement maximal de l'élément, toutes les commandes électroniques activées par bouton peuvent être réglées à HI (élevé) lorsqu'on veut obtenir l'ébullition d'un liquide rapidement.

REMARQUE : Si une installation de 240 V n'est pas possible, cette table de cuisson se réglera automatiquement pour fonctionner à 208 V.



Utilisation :

1. La commande de la table de cuisson peut être réglée à n'importe quelle position entre HI (élevé) et MELT (fondre).
2. Enfoncer et tourner le bouton au réglage désiré.

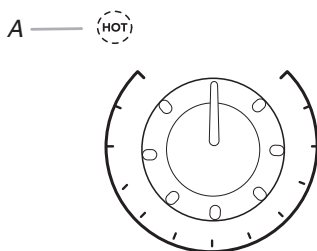
Utiliser le tableau suivant comme guide lors du réglage des niveaux de chaleur.

RÉGLAGE	UTILISATION RECOMMANDÉE
Hi (élevé)	<ul style="list-style-type: none"> Pour porter un liquide à ébullition.
Medium High (moyen élevé) Entre Med et Hi	<ul style="list-style-type: none"> Pour maintenir une ébullition rapide. Pour brunir ou saisir rapidement les aliments.
Med (moyen)	<ul style="list-style-type: none"> Pour maintenir une ébullition lente. Pour faire frire ou sauter les aliments. Pour cuire les soupes et les sauces.
Medium Low (moyen bas) Entre Med et Lo	<ul style="list-style-type: none"> Pour faire mijoter ou étuver les aliments.
Lo (bas) SIMMER (mijotage)	<ul style="list-style-type: none"> Mijotage (gamme de températures de mijotage).
Warm (maintien au chaud)	<ul style="list-style-type: none"> Pour garder au chaud les aliments cuits.
Melt (fondre)	<ul style="list-style-type: none"> Pour faire fondre le chocolat ou le beurre.
Éléments à double/triple circuit	<ul style="list-style-type: none"> Préparation de conserves à la maison. Ustensile de cuisson à grand diamètre. Grandes quantités de nourriture.

N'OUBLIEZ PAS : Quand l'appareil est utilisé, toute la surface de la table de cuisson peut devenir chaude.

Témoins lumineux de surface chaude (sur les modèles à commande intelligente)

Les témoins lumineux de surface chaude sont situés près de chaque bouton de commande de la table de cuisson. Les témoins de surface chaude restent allumés tant qu'une zone de cuisson à la surface est trop chaude pour être touchée, même après que la ou les zone(s) sont éteintes.



A. Témoin lumineux de surface chaude

Si une panne de courant survient alors que la table de cuisson est allumée, les témoins lumineux de surface chaude resteront allumés après le rétablissement de l'alimentation électrique à la table de cuisson. Ils resteront allumés jusqu'à ce que la table de cuisson refroidisse complètement.

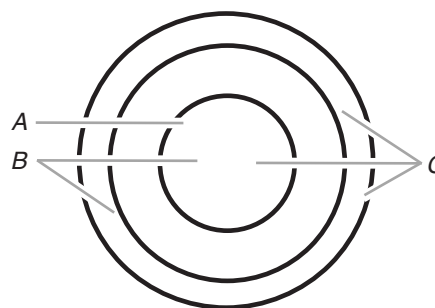
Témoin d'alimentation

Chaque table de cuisson comporte un témoin d'alimentation. Le témoin lumineux s'allume lorsque l'un des brûleurs est en marche.



Élément à double/triple circuit

Les éléments à double ou triple dimension offrent une souplesse d'utilisation en fonction de la taille de l'ustensile de cuisson. La dimension simple peut être utilisée de la même manière qu'un élément ordinaire. La dimension double et la dimension triple combinent l'élément simple, l'élément double et l'élément externe; leur utilisation est recommandée pour les ustensiles de cuisson de plus grande dimension, pour les grandes quantités de nourriture et la préparation de conserves à la maison.



A. Dimension simple
B. Dimension double
C. Dimension triple

Utilisation de l'élément SIMPLE :

- Appuyer sur le bouton et le tourner de la position OFF (arrêt) à la zone SINGLE (simple) n'importe où entre MELT et HI.
- Tourner le bouton à OFF (arrêt) après avoir terminé.

Utilisation de l'élément DOUBLE :

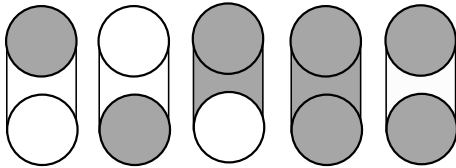
- Appuyer sur le bouton et le tourner de la position OFF (arrêt) à la zone DUAL (double) n'importe où entre WARM et HI.
- Tourner le bouton à OFF (arrêt) après avoir terminé.

Utilisation de l'élément TRIPLE :

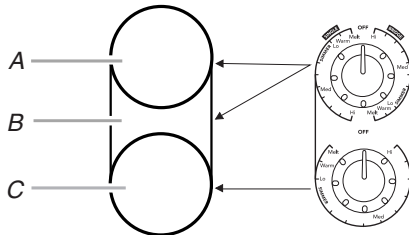
- Appuyer sur le bouton et le tourner de la position OFF (arrêt) à la zone TRIPLE (triple) n'importe où entre MELT et HI.
- Tourner le bouton à OFF (arrêt) après avoir terminé.

Élément de pont (sur les modèles de 36" (91,4 cm))

L'élément de pont permet une souplesse maximale dans la zone de cuisson centrale.



Utiliser la zone de pont afin d'obtenir le chauffage d'une zone de forme oblongue pour une cuisson au moyen d'un ustensile de cuisson de grande taille.



A. Dimension simple
B. Zone de pont
C. Dimension simple

Utilisation de l'élément SIMPLE (A) :

1. Appuyer sur le bouton central arrière et le tourner de la position OFF (arrêt) à la zone SINGLE (simple) n'importe où entre MELT et HI.
2. Tourner le bouton à OFF (arrêt) après avoir terminé.

Utilisation de l'élément SIMPLE et de la zone de PONT (A + B) :

1. Appuyer sur le bouton central arrière et le tourner de la position OFF (arrêt) à la zone BRIDGE (pont) n'importe où entre MELT et HI.
2. Tourner le bouton à OFF (arrêt) après avoir terminé.

Utilisation de l'élément SIMPLE (C) :

1. Appuyer sur le bouton avant droit et le tourner de la position OFF (arrêt) à une zone quelconque entre MELT et HI.
2. Tourner le bouton à OFF (arrêt) après avoir terminé.

Utilisation des deux éléments simples et de l'élément de pont (A + B + C) :

1. Allumer l'élément simple et l'élément de pont (A + B).
2. Allumer l'élément simple (C).
3. Tourner le bouton à OFF (arrêt) après avoir terminé.

Fonction Warm (maintien au chaud) (sur les modèles à commande intelligente)

⚠ AVERTISSEMENT

Risque d'empoisonnement alimentaire

Ne pas laisser des aliments reposer plus d'une heure avant ou après la cuisson.

Le non-respect de cette instruction peut causer un empoisonnement alimentaire ou une maladie.

La fonction Warm peut être utilisée pour garder des aliments cuits au chaud; elle peut être utilisée que les zones de cuisson à la surface soient utilisées ou non. Une heure est la durée maximale recommandée pour maintenir la qualité des aliments.

La fonction n'est pas recommandée pour faire chauffer des aliments froids.

Utiliser seulement les ustensiles et plats recommandés pour l'utilisation au four et sur la table de cuisson, et qui ont un fond plat permettant un contact direct avec la surface de la table de cuisson. Utiliser des mitaines de four ou des poignées pour retirer les ustensiles.

Couvrir tous les aliments avec un couvercle ou du papier d'aluminium. Ne pas utiliser de pellicule de plastique pour couvrir les aliments car elle pourrait fondre sur la surface de la table de cuisson. Lors du réchauffage de produits de boulangerie, prévoir une petite ouverture pour laisser l'humidité s'échapper.

La qualité des aliments peut se détériorer si on les laisse sur la fonction Warm pendant une longue période. Pour obtenir les meilleurs résultats, ne pas maintenir les aliments au chaud plus de 30 à 45 minutes.

L'élément Warm est disponible sur toutes les zones de cuisson à la surface, et peut être utilisé soit comme élément pour réchauffer des aliments, soit en fonctionnement normal.

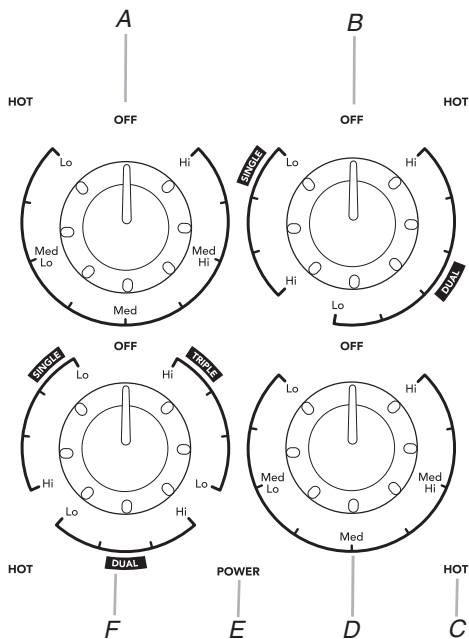
Utilisation :

1. Tourner le bouton à la position WARM.
2. À la fin de la cuisson, tourner le bouton à la position OFF (arrêt).

PIÈCES ET CARACTÉRISTIQUES - MODÈLES À BOUTON STANDARD

Tableaux de commande

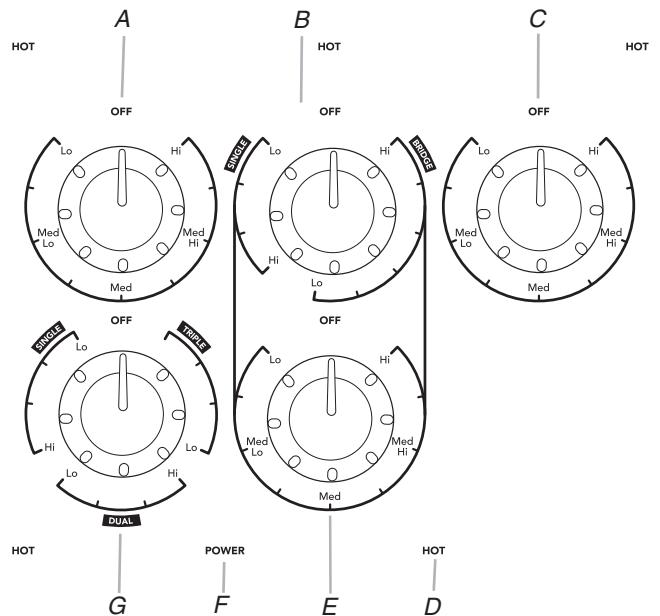
Modèles à bouton standard de 30" (76,2 cm)



- A. Bouton de commande arrière gauche
- B. Bouton de commande arrière droit (élément à double circuit)
- C. Témoin lumineux de surface chaude

- D. Bouton de commande avant droit
- E. Témoin d'alimentation
- F. Bouton de commande avant gauche (élément à triple circuit)

Modèles à bouton standard de 36" (91,4 cm)

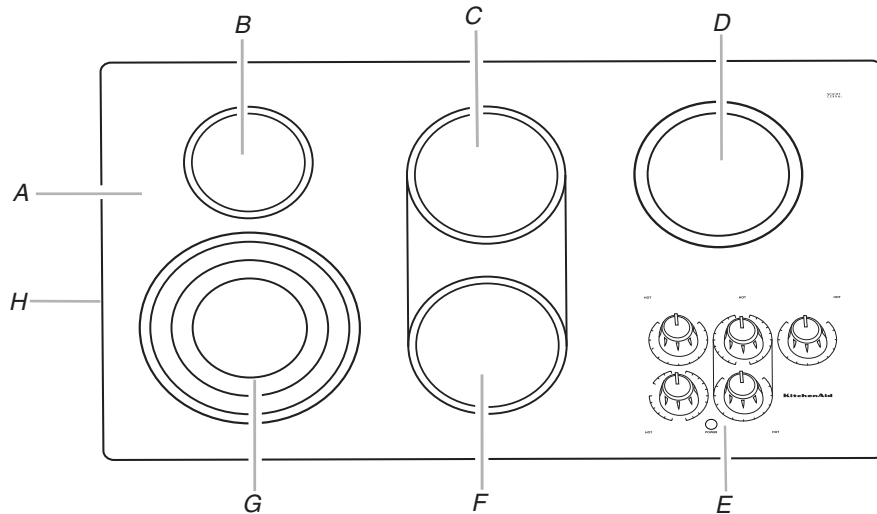


- A. Bouton de commande arrière gauche
- B. Bouton de commande central arrière ("pont" de l'élément à double circuit)
- C. Bouton de commande arrière droit

- D. Témoins lumineux de surface chaude
- E. Bouton de commande avant droit
- F. Témoin d'alimentation
- G. Bouton de commande avant gauche (avec élément à triple circuit)

Tables de cuisson

Modèle de 36" (91,4 cm) à bouton standard illustré



A. Table de cuisson en vitrocéramique (les modèles en acier inoxydable comportent une garniture métallique)

B. Zone de cuisson à la surface arrière gauche

C. Zone de cuisson à la surface centrale arrière (avec "pont" de l'élément à double circuit)

D. Zone de cuisson à la surface arrière droite

E. Tableau de commande

F. Zone de cuisson à la surface avant droite

G. Zone de cuisson à la surface avant gauche (avec élément à triple circuit)

H. Plaque signalétique de numéro de modèle et de série (située sous la table de cuisson sur la caisse en métal)

COMMANDES DE LA TABLE DE CUISSON - MODÈLES À BOUTON STANDARD

⚠ AVERTISSEMENT



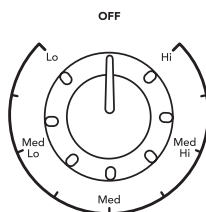
Risque d'incendie

Fermer tous les réglages lorsque la cuisson est terminée.

Le non-respect de cette instruction peut causer un décès ou un incendie.

Les boutons de commande peuvent être réglés à n'importe quelle position entre HI et LO.

REMARQUE : Si une installation de 240 V n'est pas possible, cette table de cuisson se réglera automatiquement pour fonctionner à 208 V.



Utilisation :

Enfoncer et tourner le bouton au réglage de chaleur désiré.

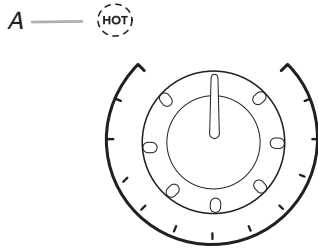
Utiliser le tableau suivant comme guide lors du réglage des niveaux de chaleur.

RÉGLAGE	UTILISATION RECOMMANDÉE
Hi (élevé)	■ Pour porter un liquide à ébullition.
Med Hi (moyen élevé)	■ Pour maintenir une ébullition rapide. ■ Pour brunir ou saisir rapidement les aliments.
Med (moyen)	■ Pour maintenir une ébullition lente. ■ Pour faire frire ou sauter les aliments. ■ Pour cuire les soupes et les sauces.
Med Lo (moyen bas)	■ Pour faire mijoter ou étuver les aliments. ■ Mijotage
Lo (bas)	■ Pour garder au chaud les aliments cuits. ■ Pour faire fondre le chocolat ou le beurre.
Éléments à double/triple circuit	■ Préparation de conserves à la maison. ■ Ustensile de cuisson à grand diamètre. ■ Grandes quantités de nourriture.

N'OUBLIEZ PAS : Quand l'appareil est utilisé, toute la surface de la table de cuisson peut devenir chaude.

Témoins lumineux de surface chaude

Les témoins lumineux de surface chaude sont situés près de chaque commande de la table de cuisson. Les témoins de surface chaude restent allumés tant qu'une zone de cuisson à la surface est trop chaude pour être touchée, même après que la ou les zone(s) sont éteintes.



A. Témoin lumineux de surface chaude

Si une panne de courant survient alors que la table de cuisson est allumée, les témoins lumineux de surface chaude resteront allumés après le rétablissement de l'alimentation électrique à la table de cuisson. Ils resteront allumés jusqu'à ce que la table de cuisson refroidisse complètement.

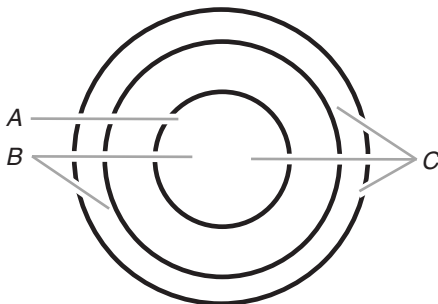
Témoin d'alimentation

Chaque table de cuisson comporte un témoin d'alimentation. Le témoin lumineux s'allume lorsque l'un des brûleurs est en marche.



Élément à double/triple circuit

Les éléments à double ou triple dimension offrent une souplesse d'utilisation en fonction de la taille de l'ustensile de cuisson. La dimension simple peut être utilisée de la même manière qu'un élément ordinaire. La dimension double et la dimension triple combinent l'élément simple, l'élément double et l'élément externe; leur utilisation est recommandée pour les ustensiles de cuisson de plus grande dimension, pour les grandes quantités de nourriture et la préparation de conserves à la maison.



A. Dimension simple
B. Dimension double
C. Dimension triple

Utilisation de l'élément SIMPLE :

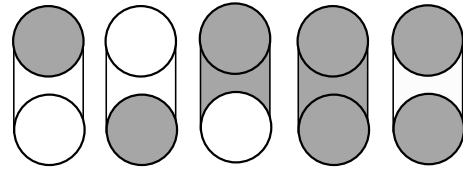
1. Appuyer sur le bouton et le tourner de la position OFF (arrêt) à la zone SINGLE (simple) n'importe où entre LO et HI.
2. Tourner le bouton à OFF (arrêt) après avoir terminé.

Utilisation des éléments DOUBLE et TRIPLE :

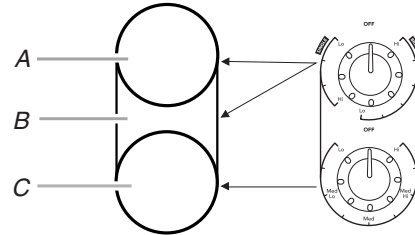
1. Appuyer sur le bouton et le tourner de la position OFF (arrêt) à la zone DUAL (double) ou TRIPLE n'importe où entre LO et HI.
2. Tourner le bouton à OFF (arrêt) après avoir terminé.

Élément de pont (sur les modèles de 36" (91,4 cm))

L'élément de pont permet une souplesse maximale dans la zone de cuisson centrale.



Utiliser la zone de pont afin d'obtenir le chauffage d'une zone de forme oblongue pour une cuisson au moyen d'un ustensile de cuisson de grande taille.



A. Dimension simple
B. Zone de pont
C. Dimension simple

Utilisation de l'élément SIMPLE et de la zone de PONT (A + B) :

1. Appuyer sur le bouton central arrière et le tourner de la position OFF (arrêt) à la zone BRIDGE (pont) n'importe où entre LO et HI.
2. Tourner le bouton à OFF (arrêt) après avoir terminé.

Utilisation de l'élément SIMPLE (A) :

1. Appuyer sur le bouton central arrière et le tourner de la position OFF (arrêt) à la zone SINGLE (simple) n'importe où entre LO et HI.
2. Tourner le bouton à OFF (arrêt) après avoir terminé.

Utilisation de l'élément SIMPLE (C) :

1. Appuyer sur le bouton avant droit et le tourner de la position OFF (arrêt) à une zone quelconque entre LO et HI.
2. Tourner le bouton à OFF (arrêt) après avoir terminé.

Utilisation des deux éléments simples et de l'élément de pont (A + B + C) :

1. Allumer l'élément simple et l'élément de pont (A + B).
2. Allumer l'élément simple (C).
3. Tourner le bouton à OFF (arrêt) après avoir terminé.

UTILISATION DE LA TABLE DE CUISSON

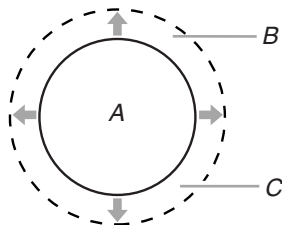
Vitrocéramique

La zone de cuisson à la surface devient rouge lorsqu'un élément est allumé. L'élément s'allume et s'éteint pour maintenir le niveau de température choisi.

Il est normal pour la surface de la vitrocéramique blanche de donner l'impression de changer de couleur lorsque les zones de cuisson à la surface sont chaudes. Elle reprendra sa couleur initiale au fur et à mesure que le verre refroidira.

L'essuyage de la table de cuisson avant et après chaque utilisation évitera les taches et donnera une chaleur plus uniforme. Sur les tables de cuisson avec vitrocéramique blanche, les souillures et taches peuvent être plus visibles et nécessiter davantage de nettoyage et de soin. Pour plus de renseignements, voir la section "Nettoyage général".

- Ne pas remiser des bocaux ou des canettes au-dessus de la table de cuisson. La chute d'un objet lourd ou dur sur la table de cuisson pourrait la fissurer.
- Ne pas laisser de couvercle chaud sur la table de cuisson. Lors du refroidissement de la surface de cuisson, de l'air peut être emprisonné entre le couvercle et la table de cuisson, et la vitrocéramique peut se casser lorsque le couvercle est retiré.
- Nettoyer tous les renversements et toutes les saletés des aliments contenant du sucre sous n'importe quelle forme dès que possible. Laisser la table de cuisson refroidir légèrement; puis, en portant des mitaines de four, essuyer les renversements tandis que la surface est encore tiède. Si on laisse le sucre refroidir sur la table de cuisson, il se peut que celui-ci adhère à la surface et entraîne de la corrosion et des marques permanentes.
- Ne pas faire glisser sur la table de cuisson les ustensiles de cuisson ou de pâtisserie qui ont des bases en aluminium ou en cuivre et des finitions rugueuses. Ils pourraient laisser des égratignures ou des marques sur la table de cuisson.
- Ne pas préparer du maïs éclaté préemballé dans des contenants en aluminium sur la table de cuisson. Le contenant pourrait laisser des marques d'aluminium qui ne peuvent pas être enlevées complètement.
- Veiller à ce que les matières qui pourraient fondre, telles que le plastique ou le papier d'aluminium, ne touchent pas la table de cuisson lorsqu'elle est chaude.
- Ne pas utiliser la table de cuisson comme planche à découper.
- Utiliser des ustensiles de cuisson à peu près de la même dimension que la zone de cuisson à la surface. Les ustensiles ne doivent pas dépasser de plus de ½" (1,3 cm) hors de la zone de cuisson.



A. Zone de cuisson à la surface
B. Ustensile de cuisson/autoclave
C. Dépassement maximal de ½" (1,3 cm)

- Utiliser des ustensiles de cuisson à fond plat pour une meilleure transmission de la chaleur et efficacité de l'énergie. Les ustensiles de cuisson dont le fond est arrondi, gauchi, nervuré ou entaillé pourraient causer un chauffage inégal et des résultats de cuisson médiocres.
- Déterminer si le fond d'un ustensile de cuisson est plat en plaçant le bord d'une règle contre la base de l'ustensile. Lorsque la règle est tournée dans tous les sens, aucun espace ou lumière ne devrait être visible entre la règle et l'ustensile.
- Les ustensiles de cuisson dont le fond comporte de légères bosselures ou de petites rainures de dilatation peuvent être utilisés.
- S'assurer que le dessous des casseroles est propre et sec avant de les utiliser. Les résidus et l'eau peuvent laisser des dépôts lors de la cuisson.
- Ne pas faire cuire d'aliments directement sur la table de cuisson.

Préparation de conserves à la maison

Lors de la préparation de conserves pendant de longues périodes, alterner l'utilisation des surfaces de cuisson, des éléments ou des brûleurs de surface entre les quantités préparées. Cette alternance permet aux dernières surfaces utilisées de refroidir.

- Centrer l'autoclave sur la grille ou la plus grande surface de cuisson ou sur le plus grand élément. L'autoclave ne doit pas dépasser de plus de ½" (1,3 cm) hors de la surface de cuisson.
- Ne pas placer l'autoclave sur deux surfaces de cuisson, deux éléments ou deux brûleurs de surface à la fois.
- Sur les modèles à vitrocéramique, n'utiliser que des autoclaves à fond plat.
- Pour plus de renseignements, communiquez avec votre service local d'agriculture. Les compagnies qui fabriquent des produits pour la préparation de conserves peuvent aussi offrir de l'aide.

Ustensiles de cuisson

IMPORTANT : Ne pas laisser un ustensile de cuisson vide sur la surface chaude d'une table de cuisson, d'un élément ou d'un brûleur de surface.

Les ustensiles de cuisson idéals doivent avoir un fond plat, des parois droites, un couvercle qui ferme bien et le matériau doit être d'épaisseur moyenne à forte.

Les surfaces rudes peuvent égratigner la table de cuisson.

L'aluminium et le cuivre peuvent être employés comme fond ou base dans un ustensile de cuisson. Cependant, utilisés comme base, ils peuvent laisser des marques permanentes sur la table de cuisson ou les grilles.

Le matériau d'un ustensile de cuisson affecte la rapidité et l'uniformité de la transmission de la chaleur, et contribue aux résultats de cuisson. Un fini antiadhésif a les mêmes caractéristiques que son matériau de base. Par exemple, un ustensile de cuisson en aluminium avec un fini antiadhésif aura les propriétés de l'aluminium.

Utiliser le tableau suivant comme guide pour les caractéristiques du matériau de l'ustensile de cuisson.

USTENSILE	CARACTÉRISTIQUES
Aluminium	<ul style="list-style-type: none">■ Chauffe rapidement et uniformément.■ Convient à tous les genres de cuisson.■ L'épaisseur moyenne ou forte convient le mieux pour la plupart des tâches de cuisson.
Fonte	<ul style="list-style-type: none">■ Chauffe lentement et uniformément.■ Convient pour le brunissage et la friture.■ Maintient la chaleur pour une cuisson lente.
Céramique ou vitrocéramique	<ul style="list-style-type: none">■ Suivre les instructions du fabricant.■ Chauffe lentement mais inégalement.■ Les meilleurs résultats sont obtenus sur les réglages de chaleur basse à moyenne.
Cuivre	<ul style="list-style-type: none">■ Chauffe très rapidement et également.
Terre cuite	<ul style="list-style-type: none">■ Suivre les instructions du fabricant.■ Utiliser des réglages de température basse.
Acier émail-porcelaine ou fonte	<ul style="list-style-type: none">■ Voir acier inoxydable ou fonte.
Acier inoxydable	<ul style="list-style-type: none">■ Chauffe rapidement, mais inégalement.■ Un fond ou une base d'aluminium ou de cuivre sur l'acier inoxydable procure un chauffage égal.

ENTRETIEN DE LA TABLE DE CUISSON

Nettoyage général

IMPORTANT : Avant le nettoyage, s'assurer que toutes les commandes sont désactivées et que la table de cuisson est refroidie. Toujours suivre les instructions sur les étiquettes des produits de nettoyage.

Du savon, de l'eau et un chiffon doux ou une éponge sont recommandés à moins d'indication contraire.

ACIER INOXYDABLE/GARNITURE PEINTE (sur certains modèles)

Ne pas utiliser de tampons de récurage savonneux, nettoyeurs abrasifs, crème à polir pour table de cuisson, tampons en laine d'acier, chiffons de lavage rugueux ou certains essuie-tout. Des dommages peuvent survenir.

Frotter dans la direction du grain pour éviter les dommages.

- Nettoyant et poli pour acier inoxydable KitchenAid® (non fourni) : Voir la section "Assistance ou service" pour une commande.
- Détergent liquide ou nettoyant tout-usage : Rincer à l'eau propre et sécher avec un chiffon doux sans charpie.
- Vinaigre pour les taches d'eau dure.

COMMANDES DE LA TABLE DE CUISSON

Ne pas utiliser de laine d'acier, de produits de nettoyage abrasifs ou de nettoyant à four.

Ne pas immerger les boutons de commande.

Lors de la réinstallation des boutons, s'assurer que chaque bouton est à la position Off (arrêt).

Ne pas enlever les joints sous les boutons.

- Savon et eau ou lave-vaisselle : Tirer les boutons directement hors du tableau de commande pour les enlever.

VITROCÉRAMIQUE

Ne pas utiliser de laine d'acier, de poudre à récurer abrasive, d'eau de Javel, de produit de décapage de la rouille ou d'ammoniaque parce que ces produits peuvent endommager la surface.

Toujours essuyer avec une éponge ou un linge propre mouillé et sécher à fond pour prévenir les rayures et les taches.

La crème à polir pour table de cuisson est recommandée pour une utilisation ordinaire afin d'aider à éviter les égratignures, les piqûres et l'abrasion et pour entretenir la table de cuisson. Elle peut être commandée comme accessoire. Voir la section "Assistance ou service" pour une commande.

Un grattoir pour table de cuisson est aussi recommandé pour les taches tenaces et peut être commandé comme accessoire. Voir la section "Assistance ou service" pour commander. Le grattoir pour table de cuisson utilise des lames de rasoir. **Ranger les lames de rasoir hors de portée des enfants.**

Souillure légère à modérée

- Essuie-tout ou éponge humide propre : Nettoyer pendant que la table de cuisson est encore tiède. Vous devriez porter des mitaines de four pour ce nettoyage.

Renversements de matières sucrées (gelées, confiseries, sirop)

- Grattoir pour table de cuisson : Nettoyer pendant que la table de cuisson est encore tiède. Vous devriez porter des mitaines de four pour ce nettoyage.
- Crème à polir pour table de cuisson et essuie-tout propre et humide : Nettoyer dès que la table de cuisson a refroidi. Frotter la crème sur la surface avec un essuie-tout ou un linge doux humide. Continuer de frotter jusqu'à ce que la pellicule blanche disparaisse.

Souillure épaisse, rayures foncées, piqûres et décoloration

- Crème à polir pour table de cuisson ou produit de nettoyage non abrasif : Frotter le produit sur la souillure avec un essuie-tout ou un linge doux humide. Continuer de frotter jusqu'à ce que la pellicule blanche disparaisse.

Souillure cuite

- Crème à polir pour table de cuisson et grattoir : Frotter la crème sur la souillure avec un essuie-tout humide. Tenir le grattoir aussi à plat que possible sur la surface et gratter. Répéter pour les taches tenaces. Polir toute la table de cuisson avec la crème et un essuie-tout.

Marques métalliques provenant de l'aluminium et du cuivre

- Crème à polir pour table de cuisson : Nettoyer dès que la table de cuisson a refroidi. Frotter la crème sur la surface avec un essuie-tout ou un linge doux humide. Continuer de frotter jusqu'à ce que la pellicule blanche disparaisse. Les marques ne disparaîtront pas totalement, mais après plusieurs nettoyages, elles deviendront moins apparentes.

Petites éraflures et abrasions

- Crème à polir pour table de cuisson : Frotter la crème sur la surface avec un essuie-tout ou un linge doux humide. Continuer de frotter jusqu'à ce que la pellicule blanche disparaisse. Les éraflures et les abrasions n'affectent pas le rendement et, après plusieurs nettoyages, elles deviendront moins apparentes.

DÉPANNAGE

Essayer les solutions suggérées ici d'abord afin d'éviter le coût d'une visite de service non nécessaire.

Rien ne fonctionne

- **La table de cuisson est-elle correctement raccordée?** Voir les Instructions d'installation pour plus de renseignements.
- **Un fusible est-il grillé ou le disjoncteur s'est-il déclenché?** Remplacer le fusible ou réenclencher le disjoncteur. Si le problème persiste, appeler un électricien.

La table de cuisson ne fonctionne pas

- **Sur les modèles avec boutons de commande, le bouton de commande est-il correctement réglé?** Enfoncer le bouton avant de le tourner à un réglage.
- **Sur les modèles avec commandes électroniques tactiles, la commande de la table de cuisson est-elle correctement réglée?** Appuyer sur ON/OFF (marche/arrêt) avant de sélectionner un réglage.
- **Sur les modèles avec commandes tactiles, le verrouillage de la table de cuisson "Control Lock/ALL OFF" (verrouillage des commandes/ toutes commandes éteintes) est-il réglé?** Voir la section "Control Lock/All Off" (verrouillage des commandes/toutes commandes éteintes).

Chaleur excessive autour des ustensiles de cuisson sur la table de cuisson

- **L'ustensile de cuisson est-il de dimension appropriée?** Utiliser un ustensile de cuisson à peu près de la même dimension que la zone de cuisson à la surface, l'élément ou le brûleur de surface. L'ustensile de cuisson ne doit pas dépasser de plus de ½" (1,3 cm) hors de la surface de cuisson.

La table de cuisson comporte des témoins lumineux clignotants

- **Y a-t-il des témoins lumineux sur la table de cuisson qui s'allument et s'éteignent par intermittence?**
 1. S'assurer que les commandes de la table de cuisson sont sur OFF (arrêt).
 2. Bien nettoyer le tableau de commande tactile de la table de cuisson. Voir la section "Nettoyage général".
 3. Si les témoins lumineux de la table de cuisson continuent de clignoter, déconnecter la source de courant électrique ou débrancher la table de cuisson.
 4. Au bout de quelques secondes, reconnecter la source de courant électrique ou brancher la table de cuisson.
 5. Si les témoins lumineux continuent de clignoter, faire un appel de service.

Les résultats de cuisson sur la table de cuisson ne sont pas les résultats prévus

- **Utilise-t-on un ustensile de cuisson approprié?** Voir la section "Ustensiles de cuisson".
- **La commande de la table de cuisson est-elle réglée au niveau approprié de chaleur?** Voir la section "Commandes de la table de cuisson".
- **L'appareil est-il d'aplomb?** Régler l'aplomb de l'appareil. Voir les instructions d'installation.

ASSISTANCE OU SERVICE

Avant de faire un appel pour assistance ou service, consulter la section "Dépannage". Ce guide peut vous faire économiser le coût d'une visite de service. Si vous avez encore besoin d'aide, suivre les instructions ci-dessous.

Lors d'un appel, veuillez connaître la date d'achat, le numéro de modèle et le numéro de série au complet de l'appareil. Ces renseignements nous aideront à mieux répondre à votre demande.

Si vous avez besoin de pièces de rechange

Si vous avez besoin de commander des pièces de rechange, nous vous recommandons d'employer uniquement des pièces spécifiées par l'usine. Les pièces spécifiées par l'usine conviendront et fonctionneront bien parce qu'elles sont fabriquées avec la même précision que celles utilisées dans la fabrication de chaque nouvel appareil KITCHENAID®.

Pour localiser des pièces spécifiées par l'usine dans votre région, contactez-nous ou appelez le centre de service désigné de KitchenAid le plus proche.

Veuillez appeler sans frais le Centre d'interaction avec la clientèle de KitchenAid Canada au : **1-800-807-6777**.

Nos consultants vous renseigneront sur les sujets suivants :

- Caractéristiques et spécifications sur toute notre gamme d'appareils électroménagers.
- Utilisation et consignes d'entretien.
- Ventes d'accessoires et pièces de rechange.
- Références aux marchands locaux, aux distributeurs de pièces de rechange et aux compagnies de service. Les techniciens de service désignés par KitchenAid Canada sont formés pour remplir la garantie des produits et fournir un service après la garantie, partout au Canada.

Pour plus d'assistance

Si vous avez besoin de plus d'assistance, vous pouvez soumettre par écrit toute question ou préoccupation à KitchenAid Canada à l'adresse suivante :

Centre d'interaction avec la clientèle
KitchenAid Canada
1901 Minnesota Court
Mississauga, Ontario L5N 3A7

Veuillez inclure dans votre correspondance un numéro de téléphone où l'on peut vous joindre dans la journée.

GARANTIE DE LA TABLE DE CUISSON KITCHENAID®

GARANTIE LIMITÉE

Pendant un an à compter de la date d'achat, lorsque ce gros appareil ménager est utilisé et entretenu conformément aux instructions jointes à ou fournies avec le produit, la marque KitchenAid de Whirlpool Corporation ou Whirlpool Canada LP (ci-après désignées "KitchenAid") paiera pour les pièces spécifiées par l'usine et la main-d'œuvre pour corriger les vices de matériaux ou de fabrication. Le service doit être fourni par une compagnie de service désignée par KitchenAid. Cette garantie limitée est valide uniquement aux États-Unis ou au Canada et s'applique exclusivement lorsque l'appareil est utilisé dans le pays où il a été acheté. À l'extérieur du Canada et des 50 États des États-Unis, cette garantie limitée ne s'applique pas. Une preuve de la date d'achat original est exigée pour obtenir un service dans le cadre de la présente garantie limitée.

GARANTIE LIMITÉE DE LA DEUXIÈME À LA CINQUIÈME ANNÉE INCLUSIVEMENT SUR CERTAINS COMPOSANTS

De la deuxième à la cinquième année inclusivement à compter de la date d'achat, lorsque cet appareil ménager est utilisé et entretenu conformément aux instructions jointes à ou fournies avec le produit, KitchenAid ou KitchenAid Canada paiera pour les pièces spécifiées par l'usine pour les composants suivants, en cas de vices de matériaux ou de fabrication :

- Éléments électriques
- Brûleurs à gaz
- Pièces du système de commande à semi-conducteurs
- Toute fissuration du joint d'étanchéité en caoutchouc entre la table de cuisson en vitrocéramique et le bord en porcelaine
- Toute fissuration de la table de cuisson en vitrocéramique due à un choc thermique
- Éléments de l'unité de surface

ARTICLES EXCLUS DE LA GARANTIE

La présente garantie limitée ne couvre pas :

1. Les visites de service pour rectifier l'installation du gros appareil ménager, montrer à l'utilisateur comment utiliser l'appareil, remplacer ou réparer des fusibles ou rectifier le câblage ou la plomberie du domicile.
2. Les visites de service pour réparer ou remplacer les ampoules électriques de l'appareil, les filtres à air ou les filtres à eau. Les pièces consommables ne sont pas couvertes par la garantie.
3. Les réparations lorsque le gros appareil ménager est utilisé à des fins autres que l'usage unifamilial normal ou lorsque les instructions d'installation et/ou les instructions de l'opérateur ou de l'utilisateur fournies ne sont pas respectées.
4. Les dommages imputables à : accident, modification, usage impropre ou abusif, incendie, inondation, actes de Dieu, installation fautive ou installation non conforme aux codes d'électricité ou de plomberie, ou l'utilisation de pièces consommables ou de produits nettoyants non approuvés par KitchenAid.
5. Les défauts apparents, notamment les éraflures, les bosses, fissures ou tout autre dommage au fini du gros appareil ménager, à moins que ces dommages soient dus à des vices de matériaux ou de fabrication et soient signalés à KitchenAid dans les 30 jours suivant la date d'achat.
6. Les coûts associés au transport du gros appareil ménager du domicile pour réparation. Ce gros appareil ménager est conçu pour être réparé à domicile et seul le service à domicile est couvert par la présente garantie.
7. Les réparations aux pièces ou systèmes résultant d'une modification non autorisée faite à l'appareil.
8. Les frais de transport pour le service d'un produit si votre gros appareil est situé dans une région éloignée où un service d'entretien KitchenAid autorisé n'est pas disponible.
9. La dépose et la réinstallation de votre gros appareil si celui-ci est installé dans un endroit inaccessible ou n'est pas installé conformément aux instructions d'installation fournies.
10. Les gros appareils ménagers dont les numéros de série et de modèle originaux ont été enlevés, modifiés ou qui ne peuvent pas être facilement identifiés. La présente garantie est nulle si le numéro de série d'usine a été modifié ou enlevé du gros appareil ménager.

Le coût d'une réparation ou des pièces de rechange dans le cadre de ces circonstances exclues est à la charge du client.

CLAUSE D'EXONÉRATION DE RESPONSABILITÉ AU TITRE DES GARANTIES IMPLICITES; LIMITATION DES RECOURS

LE SEUL ET EXCLUSIF RECOURS DU CLIENT DANS LE CADRE DE LA PRÉSENTE GARANTIE LIMITÉE CONSISTE EN LA RÉPARATION PRÉVUE CI-DESSUS. LES GARANTIES IMPLICITES, Y COMPRIS LES GARANTIES APPLICABLES DE QUALITÉ MARCHANDE ET D'APTITUDE À UN USAGE PARTICULIER, SONT LIMITÉES À UN AN OU À LA PLUS COURTE PÉRIODE AUTORISÉE PAR LA LOI. KitchenAid N'ASSUME AUCUNE RESPONSABILITÉ POUR LES DOMMAGES FORTUITS OU INDIRECTS. CERTAINES JURIDICTIONS NE PERMETTENT PAS L'EXCLUSION OU LA LIMITATION DES DOMMAGES FORTUITS OU INDIRECTS, OU LES LIMITATIONS DE LA DURÉE DES GARANTIES IMPLICITES DE QUALITÉ MARCHANDE OU D'APTITUDE À UN USAGE PARTICULIER, DE SORTE QUE CES EXCLUSIONS OU LIMITATIONS PEUVENT NE PAS S'APPLIQUER DANS VOTRE CAS. CETTE GARANTIE VOUS CONFÈRE DES DROITS JURIDIQUES SPÉCIFIQUES ET VOUS POUVEZ ÉGALEMENT JOUIR D'AUTRES DROITS QUI PEUVENT VARIER D'UNE JURIDICTION À UNE AUTRE.

À l'extérieur du Canada et des 50 États des États-Unis, cette garantie ne s'applique pas. Contactez votre marchand KitchenAid autorisé pour déterminer si une autre garantie s'applique.

Si vous avez besoin de service, voir d'abord la section "Dépannage" du Guide d'utilisation et d'entretien. Après avoir vérifié la section "Dépannage", de l'aide supplémentaire peut être trouvée en vérifiant la section "Assistance ou service" ou en appelant KitchenAid. Aux É.-U., composer le **1-800-422-1230**. Au Canada, composer le **1-800-807-6777**.

9/07

Conservez ce manuel et votre reçu de vente ensemble pour référence ultérieure. Pour le service sous garantie, vous devez présenter un document prouvant la date d'achat ou d'installation.

Inscrivez les renseignements suivants au sujet de votre gros appareil ménager pour mieux vous aider à obtenir assistance ou service en cas de besoin. Vous devrez connaître le numéro de modèle et le numéro de série au complet. Vous trouverez ces renseignements sur la plaque signalétique située sur le produit.

Nom du marchand _____

Adresse _____

Numéro de téléphone _____

Numéro de modèle _____

Numéro de série _____

Date d'achat _____

W10162162A

© 2007. All rights reserved.
Tous droits réservés.

® Registered Trademark/TM Trademark of KitchenAid, U.S.A., KitchenAid Canada licensee in Canada
® Marque déposée/TM Marque de commerce de KitchenAid, U.S.A., Emploi licencié par KitchenAid Canada au Canada

10/07
Printed in U.S.A.
Imprimé aux É.-U.

Free Manuals Download Website

<http://myh66.com>

<http://usermanuals.us>

<http://www.somanuals.com>

<http://www.4manuals.cc>

<http://www.manual-lib.com>

<http://www.404manual.com>

<http://www.luxmanual.com>

<http://aubethermostatmanual.com>

Golf course search by state

<http://golfingnear.com>

Email search by domain

<http://emailbydomain.com>

Auto manuals search

<http://auto.somanuals.com>

TV manuals search

<http://tv.somanuals.com>