

FOR ORDERING INFORMATION REFER TO PARTS PRICE LIST

COOKTOP PARTS

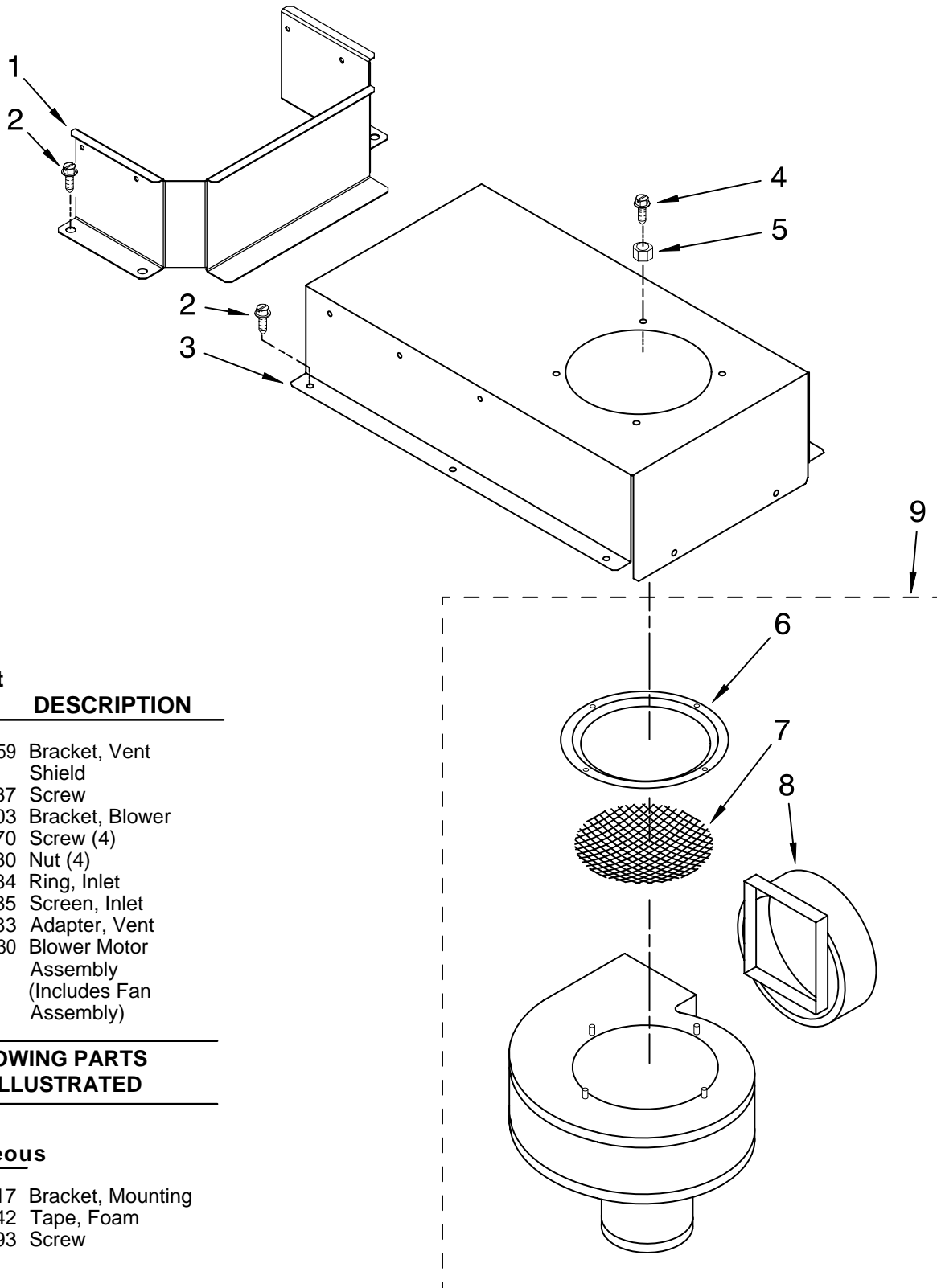
For Models: KECD806RSS05
(Stainless)

Illus. No.	Part No.	DESCRIPTION
1		Literature Parts
	8286240	Installation Instructions
	8286427	Wiring Diagram
	W10162163	Use & Care Guide Safe Cooking Tips
	9762761	English
	W10065852	French
2	8286948	Cooktop, Glass
3	3196537	Screw
4	3177991	Screw
5		Element, Surface
	8523698	LR 1200W
	8285846	LF 900/1800/2500W
	8285937	RR 1000/2000W
	8523697	RF 1500W
6		Rail, Element
	8285933	Right
	8286054	Left
7	8285809	Box, Burner
8	8285469	Seal, Infinite Switch (4)
9	W10169758	Shield, Vent
10	3190656	Drip Bowl
11	4455354	Plate, Switch Mounting
12	311865	Screw
13	4456836	Switch, Speed Control
14		Switch, Infinite
	3191049	LR/RF
	8286070	LF
	4456027	RR
15	3183956	Seal, Switch Cover
16	3192439	Seal, Limiter (4)
17	W10142241	Frame, Cooktop
18	8286096BL	Knob, Control
19	8286097BL	Knob, Blower Switch
20	8285875	Grille, Air
21	3192530	Filter, Grease
22	9759094	Spring, Locator
23	W10137040	Gasket, Vent Shield
24	8286055	Light, Hot Surface Indicator
25	3193094	Plate, Cover

FOR ORDERING INFORMATION REFER TO PARTS PRICE LIST

BLOWER UNIT PARTS

For Models: KECD806RSS05
(Stainless)



Illus. No.	Part No.	DESCRIPTION
------------	----------	-------------

1	W10169759	Bracket, Vent Shield
2	3196537	Screw
3	3192403	Bracket, Blower
4	3367670	Screw (4)
5	488130	Nut (4)
6	9760484	Ring, Inlet
7	9760485	Screen, Inlet
8	9760483	Adapter, Vent
9	W10109930	Blower Motor Assembly (Includes Fan Assembly)

FOLLOWING PARTS NOT ILLUSTRATED

Miscellaneous

4455917	Bracket, Mounting
8286642	Tape, Foam
3400093	Screw

FOR ORDERING INFORMATION REFER TO PARTS PRICE LIST

OPTIONAL PARTS

For Models: KECD806RSS05
(Stainless)

Illus.	Part	
No.	No.	DESCRIPTION

**FOLLOWING PARTS
NOT ILLUSTRATED**

WIRING HARNESS PARTS

8286419	Harness, Wire (Ceran Downdraft)
4456859	Harness, Wire (Blower/Switch)
4456028	Harness, Jumper
98997	Clip
9760671	Strain Relief
8286423	Conduit, Downdraft
3400015	Screw

FOR ORDERING INFORMATION REFER TO PARTS PRICE LIST

Free Manuals Download Website

<http://myh66.com>

<http://usermanuals.us>

<http://www.somanuals.com>

<http://www.4manuals.cc>

<http://www.manual-lib.com>

<http://www.404manual.com>

<http://www.luxmanual.com>

<http://aubethermostatmanual.com>

Golf course search by state

<http://golfingnear.com>

Email search by domain

<http://emailbydomain.com>

Auto manuals search

<http://auto.somanuals.com>

TV manuals search

<http://tv.somanuals.com>