

Installation Instructions Single Drawer Dishwasher

Instructions d'installation Lave-vaisselle à tiroir unique

Table of Contents/Table des matières.....2/11

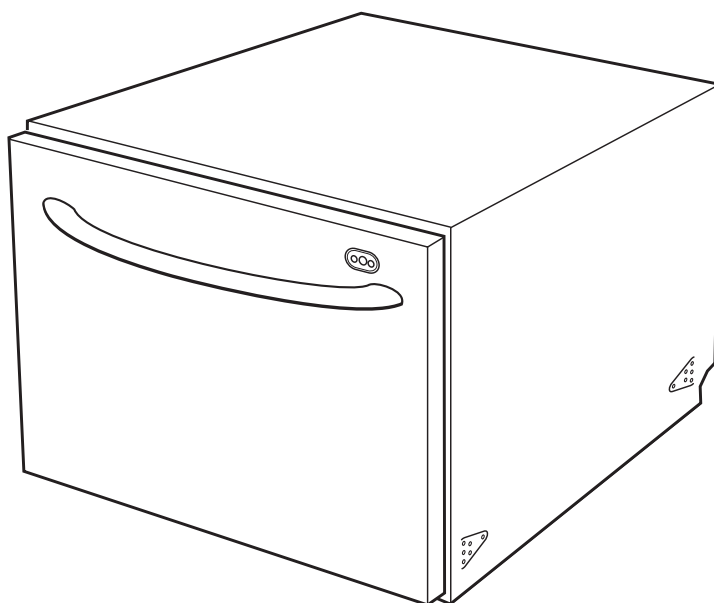


Table of Contents

Drawer Dishwasher Safety 2
Installation Requirements 3
 Tools and Parts 3
 Location Requirements 3
 Water Supply Requirements 4
 Electrical Requirements 4

Installation Instructions 5
 Prepare Cabinet Opening 5
 Electrical Connection 5
 If Installing Flexible Trim Pieces 5
 Install Dishwasher 5
 Install the Drain Hose 7
 Connect to Water Supply 8
 Install Drawer Front Panel 8
 Complete Installation 10

DRAWER DISHWASHER SAFETY

Your safety and the safety of others are very important.

We have provided many important safety messages in this manual and on your appliance. Always read and obey all safety messages.



This is the safety alert symbol.

This symbol alerts you to potential hazards that can kill or hurt you and others.

All safety messages will follow the safety alert symbol and either the word "DANGER" or "WARNING."

These words mean:

⚠ DANGER

You can be killed or seriously injured if you don't immediately follow instructions.

⚠ WARNING

You can be killed or seriously injured if you don't follow instructions.

All safety messages will tell you what the potential hazard is, tell you how to reduce the chance of injury, and tell you what can happen if the instructions are not followed.

INSTALLATION REQUIREMENTS

Tools and Parts

Gather the required tools and parts before starting installation. Read and follow the instructions provided with any tools listed here.

Tools needed:

- Utility knife
- Needle-nose pliers
- Tape measure
- Flat-bladed screwdriver
- #2 Phillips screwdriver
- Side cutting pliers
- Pencil
- Sandpaper
- Level
- Adjustable wrench that opens to 1 1/8" (29 mm)
- 7 mm socket wrench
- 5 mm socket wrench
- 5 mm open end or box end wrench
- Electric or hand drill
- 1 1/2" hole saw
- Valve (sized to fit hot water supply line) with 3/8" male compression fitting
- Protective floor covering

Parts supplied:

Located in drawer:

- 2 flexible trim pieces (for sides)
- Edge protection
- Hose clamp, screw type
- Washer
- Drain hose support
- Drain hose connector
- Hose clamp, wire type
- 11, 5/8" long, #8 Phillips head wood screws
- Moisture protection tape
- 3, 1" hex head wood screws
- 3, 9/16" washers

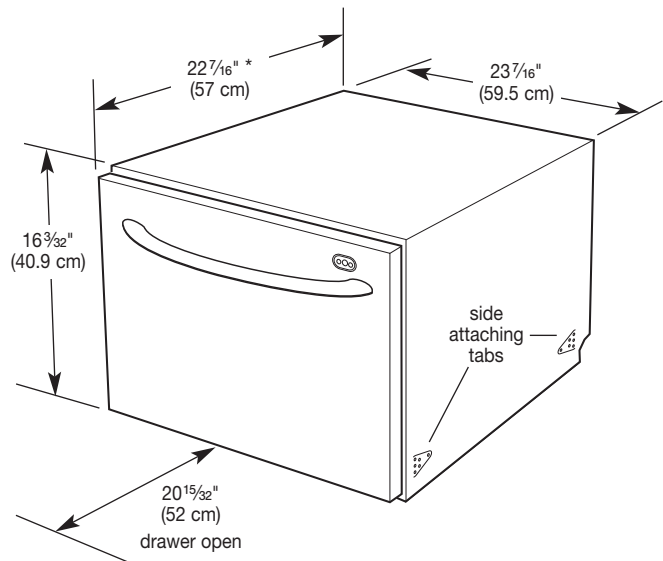
Location Requirements

IMPORTANT: Observe all governing codes and ordinances. Failure to meet codes and ordinances could lead to fire or electrical shock.

Proper installation is your responsibility:

- Contact a qualified installer to ensure that the dishwasher is installed to meet all electrical and plumbing national and local codes and ordinances.
- Install the dishwasher as specified in these instructions.
- Have everything you need to properly install dishwasher.
- Protect dishwasher and water lines leading to dishwasher against freezing. Damage from freezing is not covered by the warranty.
- This dishwasher is manufactured for indoor use only.
- Install the dishwasher in a cabinet cutout that is level, will hold weight up to 104 lbs. (47 kg), and is in an area suitable for its size and use.

Product dimensions



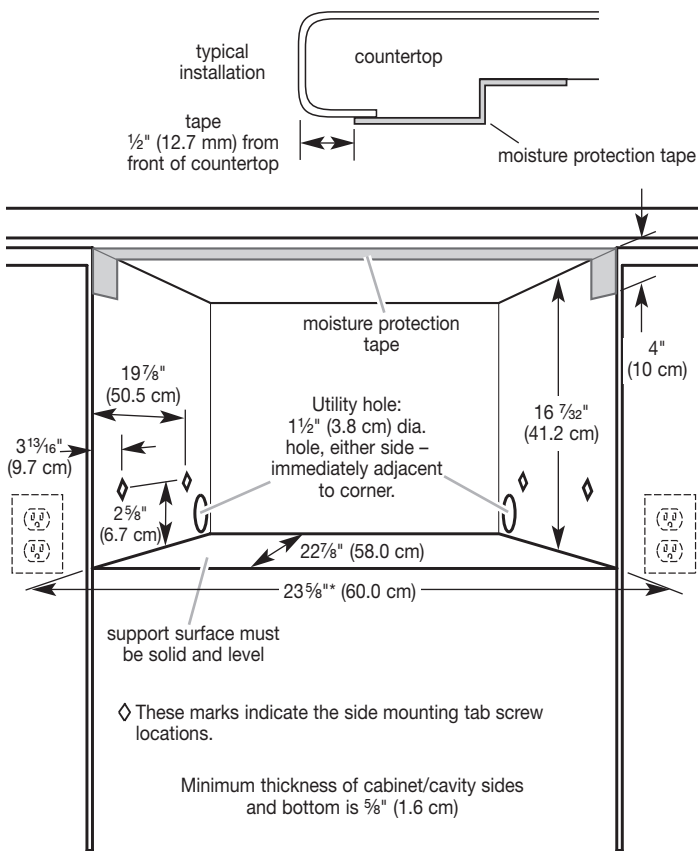
* If custom wood panels are to be used, the product depth is specified with an 1/16" (18 mm) door panel thickness.

NOTE: Product shown with front panels for dimension purposes.

Greatest length from product exit point to hookup (does not include allowance for drain loop):

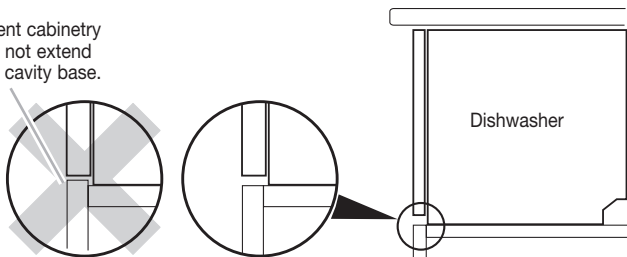
- Drain hose 88 9/16" (2250 mm): Extension kit available - part no. 8194400
- Inlet hose 68 7/8" (1750 mm)
- Power cord 44" (1125 mm)

Cabinet dimensions/requirements



- Build the custom cabinet to the size and specifications shown. The supporting base of the cabinet must be solid, level and able to sustain weight up to 104 lbs. (47 Kg), with a minimum thickness of cabinet/cavity sides and bottom of $\frac{5}{8}$ " (1.6 cm).
 - A 3 prong grounded outlet must be installed within 6" (15.2 cm) to 18" (45.7 cm) to either side of the utility hole in the cabinet side wall. The power outlet must be accessible after installation.
 - It is recommended that wood cabinetry surrounding the dishwasher be sealed with an oil-based paint or moisture-proof polyurethane to prevent possible damage from humidity.
 - A utility hole that will be used to route the power supply cord and hoses must be located as shown. If the hole is not located as shown, the hoses will prevent the dishwasher from being pushed back all the way into the cavity. Make sure the edges of the utility hole are smooth or covered. If the utility hole is through a metal cabinet, the hole must be protected with the edge protector provided.
- IMPORTANT:** Custom wood door panel, if used, may be wider than the dishwasher to match surrounding cabinets. The $23\frac{5}{8}$ " (60.0 cm) must be increased so that there is a $\frac{3}{32}$ " (2.5 mm) clearance between the cabinet side and panel edge.

Adjacent cabinetry must not extend above cavity base.



- For corner installation, there must be a $\frac{1}{2}$ " (12.7 mm) space between the adjacent cabinet doors (i.e. door knobs) and open dishwasher drawer.

Water Supply Requirements

For dishwasher:

- Hot water line with 4.3-145 psi (30-1000 kPa) water pressure.
- 120°F (48.8°C) water at dishwasher.
- An easily accessible valve with $\frac{3}{8}$ " compression fitting must be installed in the hot water supply line.

Electrical Requirements

⚠ WARNING



Electrical Shock Hazard

Plug into a grounded 3 prong outlet.

Do not remove ground prong.

Do not use an adapter.

Do not use an extension cord.

Failure to follow these instructions can result in death, fire, or electrical shock.

GROUNDING INSTRUCTIONS

- The dishwasher must be grounded. In the event of a malfunction or breakdown, grounding will reduce the risk of electric shock by providing a path of least resistance for electric current. The dishwasher is equipped with a cord having an equipment-grounding conductor and a grounding plug. The plug must be plugged into an appropriate outlet that is installed and grounded in accordance with all local codes and ordinances.

WARNING: Improper connection of the equipment-grounding conductor can result in a risk of electric shock. Check with a qualified electrician or service representative or personnel if you are in doubt as to whether the dishwasher is properly grounded. Do not modify the plug provided with the dishwasher: if it will not fit the outlet, have a proper outlet installed by a qualified electrician.

SAVE THESE INSTRUCTIONS

A 120-volt, 60 Hz, AC-only, 15 amp fused electrical supply is required. (Circuit breaker is recommended.) It is recommended that a separate circuit serving only this appliance be provided.

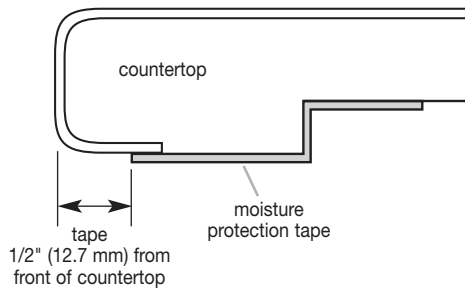
Garbage Disposer:

If you plan to install a garbage disposer, an additional separate 120-volt, 60 Hz, AC-only, 15 or 20 amp fused electrical supply is required.

INSTALLATION INSTRUCTIONS

Prepare Cabinet Opening

1. Prepare the cabinet opening by applying self-adhesive moisture protection tape to the dry dust-free underside of the countertop.



2. Turn off water supply.

⚠ WARNING

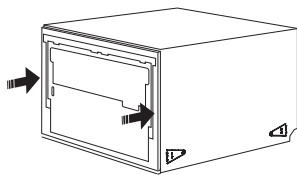
Excessive Weight Hazard

Use two or more people to move and install dishwasher.

Failure to do so can result in back or other injury.

Electrical Connection

1. Place cardboard or other protective covering on the floor or a support in front of cabinet opening. Place the dishwasher on covering. Depending on the height of the cavity, the dishwasher will need to be supported.
2. Begin to route the power supply cord and hoses through the utility hole in the cabinet.
3. Place dishwasher part way into the opening.
IMPORTANT: Push against the outside edges of drawer as shown. Do not push against the center of the drawer.

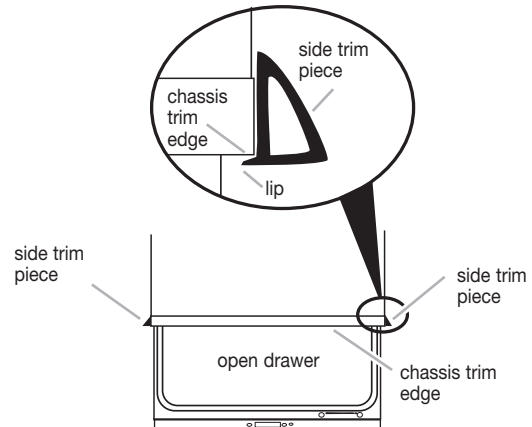


4. As the dishwasher is being pushed into the opening, slowly pull the power supply cord, drain hose and inlet hose through the utility hole.
5. Remove the tape/strap from the drawer.
NOTE: This unit is shown without a front panel. Some models are shipped with the front panel already installed.

If Installing Flexible Trim Pieces

If the cabinet opening is 24" wide (61.0 cm), flexible trim pieces can be attached along the sides of the dishwasher. (No trim piece used along the top.)

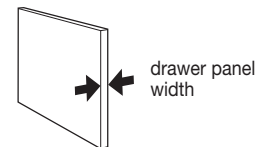
1. Open the drawers to expose the chassis trim.
2. Center the flexible trim pieces.



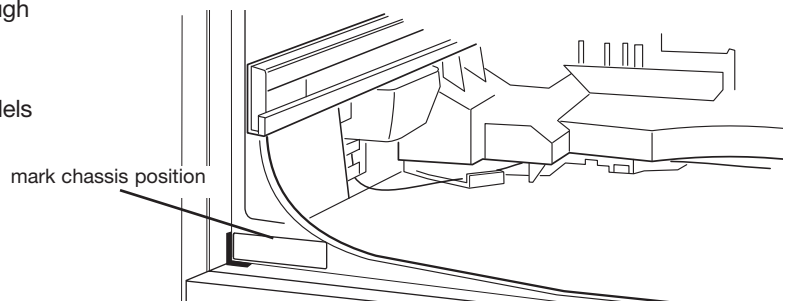
3. Remove the backing paper from the trim pieces to expose the adhesive.
4. Place the trim pieces on the trim and press.
5. Finish pushing dishwasher into opening.

Install Dishwasher

1. Leave protective cover on the floor or on a support in front of the cabinet opening.
2. For "panel ready" models, push the dishwasher in place, leaving a space equal to the width of the front door panel of the drawer, back from the front of the surrounding cabinetry.

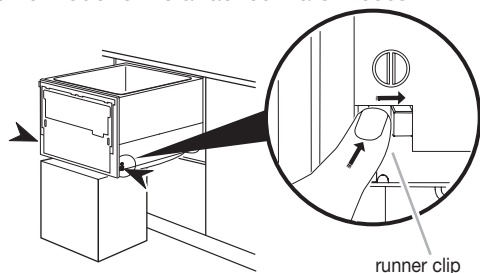


3. For models with the front panel already attached, push the dishwasher in place, aligning the front panel with the surrounding cabinetry.
4. Gently open the drawer enough to mark the chassis position on the cabinet cavity.

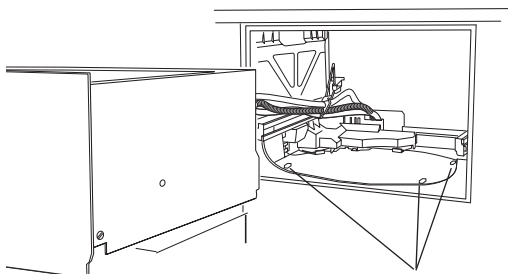


5. Open the drawer.
6. Press in the right-hand runner clip and push it back about 6" (15.2 cm). Repeat with the left-hand runner clip.

NOTE: When removing the drawer there is limited range of movement due to the attached water hoses.



7. Lift the right edge of the drawer off its runner. Slide that runner back into the dishwasher.
8. Lift the drawer completely off the left-hand runner.
9. Set the drawer down flat on the protective covering. If the drawer cannot be set down flat due to space constraints, rotate it to the left onto its side, and place on the protective covering. The drawer will need to be securely supported at a height even with the cavity.

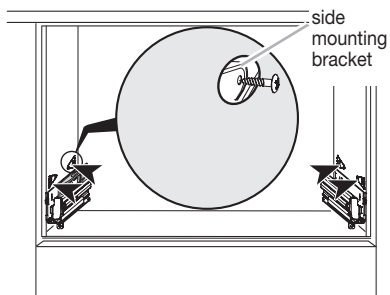


Bottom mount hole locations

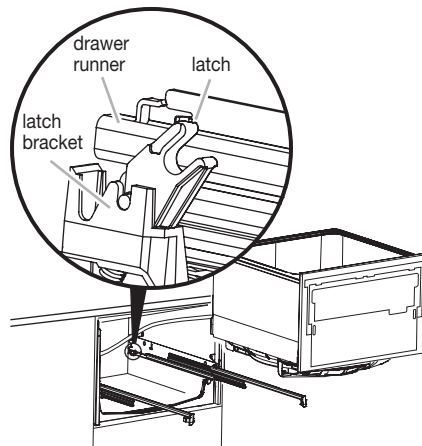
10. Slide the left-hand runner back into the dishwasher.
11. Make sure chassis position is still aligned and mark holes in the bottom (if using bottom mount option).

Option 1: Attach dishwasher (side mount)

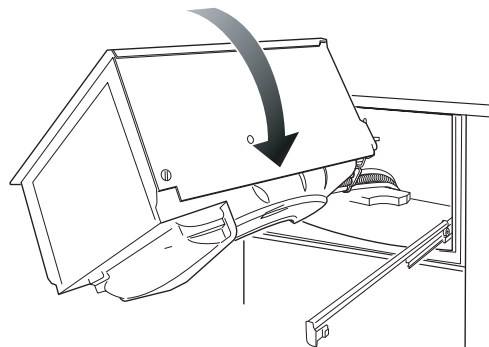
1. The dishwasher side attaching tabs are accessed through holes in the sound insulation.
IMPORTANT: For best installation, use all four attaching tabs. Add spacers to side of cabinet if needed to attach screws. Refer to "Cabinet dimensions/requirements" section.
2. Secure the attaching tabs to the cabinet using #8 Phillips head screws.
NOTE: Before securing the dishwasher, confirm that the chassis is still properly aligned.



3. Pull one of the bottom drawer runners all the way out. Make sure the latches on the back of the drawer runner are facing forward.



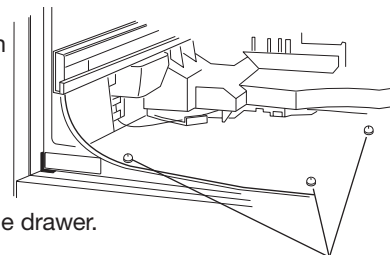
4. If the bottom drawer was rotated, rotate the drawer to unwind the hoses and then put the drawer on the extended runner, making sure the hoses are looping upward.



5. While holding on to the drawer, fully extend the remaining drawer runner. Follow the procedure in step 3 to place the drawer on the remaining runner.
6. Make sure both runner clips have snapped into place. If they have not, pull the runner clips forward until they do.
7. Close the drawer.

Option 2: Attach dishwasher (bottom mount)

1. Temporarily reinstall drawer and remove entire dishwasher from cavity.
2. Drill a 3/16" diameter pilot hole at each of the three locations marked.
3. Replace dishwasher in opening and realign with chassis mark.
4. Remove drawer and install the three 1" hex head screws and the three 9/16" washers (all three screws and washers must be used) using a minimum 20 in/lb torque.
5. Reinstall the drawer, following steps 3 through 7 in Option 1.
6. Check unit for side-to-side movement. If it moves, remove the drawer and retighten the screws. Then reinstall the drawer.



Hex head screws and washers

Install the Drain Hose

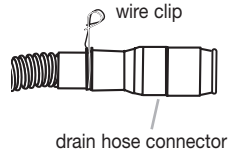
A drain hose extension kit, part no. 8194400, will extend the drain hose to a length of up to 141 3/4" (360.05 cm). Do not extend beyond this length. The maximum drain height is 37 1/2" (95.25 cm).

Option 1: Sink drain waste tee connection

1. Route the drain hose as shown and press the hose into the drain hose support.
2. Decide if the drain hose needs to be trimmed. If it does, trim it.

NOTE: The drain hose connector must not support the weight of excess hose length. Keep hose as fully extended as possible.

3. Slip a wire clip over the drain hose. Push the hose into the drain hose connector firmly, 5 clicks.

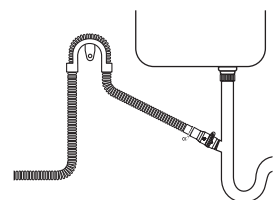
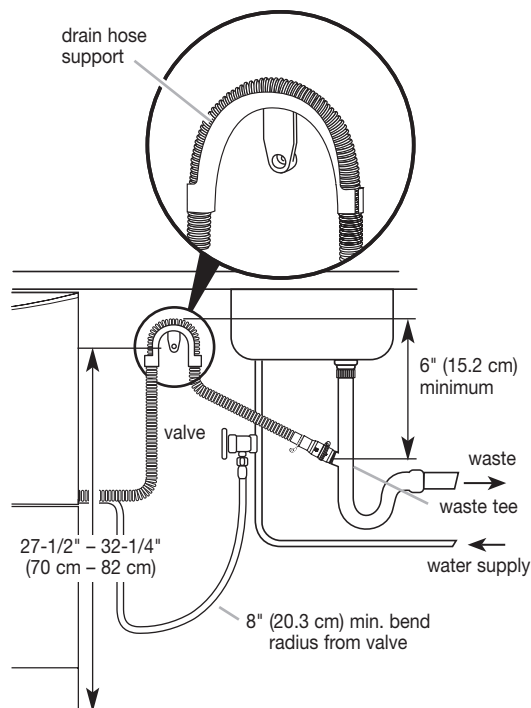


4. Position the wire clip between the two positioning ribs on the drain hose connector.

5. Attach the drain hose connector to the waste tee using the supplied hose clamp.

6. Attach the drain hose support bracket to the cabinet with a #8 Phillips head screw at the height shown below.

IMPORTANT: A drain loop must be provided as shown in the Installation Instructions. Keep hoses as fully extended as possible to prevent sagging. Any excess length of hose should be kept on the dishwasher side of the drain loop.



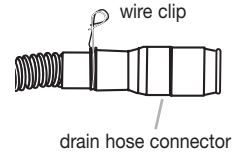
Keep drain hose straight, as shown.

Option 2: Garbage disposal connection

1. Route the drain hose as shown and press the hose into the drain hose support.
2. Decide if the drain hose needs to be trimmed. If it does, trim it.

NOTE: The drain hose connector must not support the weight of excess hose length. Keep hose as fully extended as possible.

3. Slip a wire clip over the drain hose. Push the hose into the drain hose connector firmly, 5 clicks.

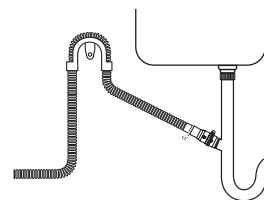
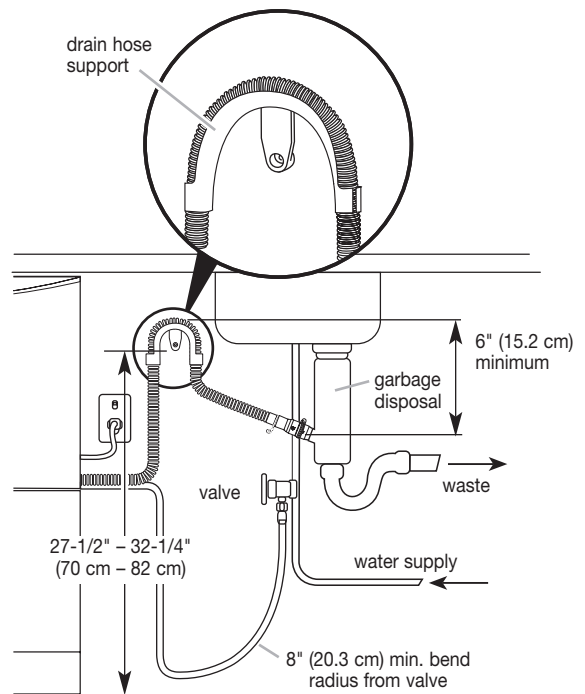


4. Position the wire clip between the two positioning ribs on the drain hose connector.

5. Attach the drain hose connector to the garbage disposal using the supplied hose clamp.

6. Attach the drain hose support bracket to the cabinet with a #8 Phillips head screw at the height shown below.

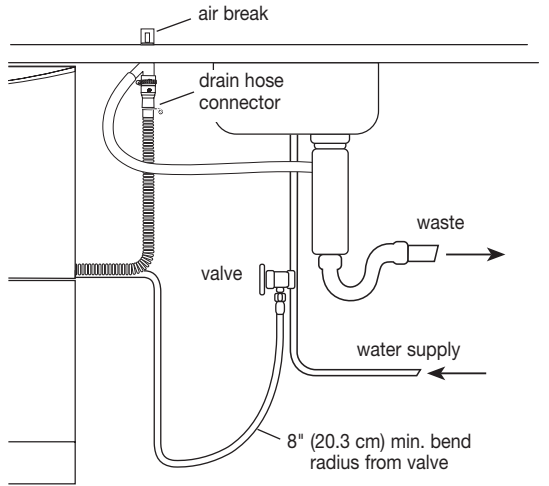
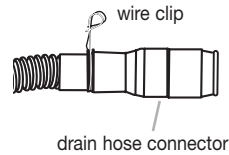
IMPORTANT: A drain loop must be provided as shown in the Installation Instructions. Keep hoses as fully extended as possible to prevent sagging. Any excess length of hose should be kept on the dishwasher side of the drain loop.



Keep drain hose straight, as shown.

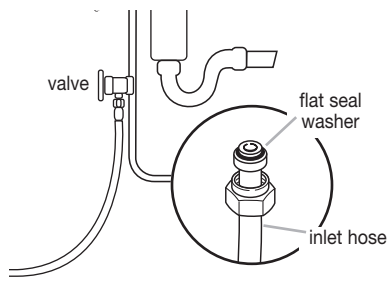
Option 3: Air break connection

1. Route the drain hose as shown.
2. Decide if the drain hose needs to be trimmed. If it does, trim it.
3. Slip a wire clip over the drain hose. Push the hose into the drain hose connector firmly, 5 clicks.
4. Position the wire clip between the two positioning ribs on the drain hose connector.
5. Attach the drain hose connector to the air break using the supplied hose clamp.



Connect to Water Supply

1. Install the flat seal washer on the end of the inlet hose. Connect the inlet hose to the water supply valve. Tighten securely.
2. Turn the water valve on and check for any leaks.

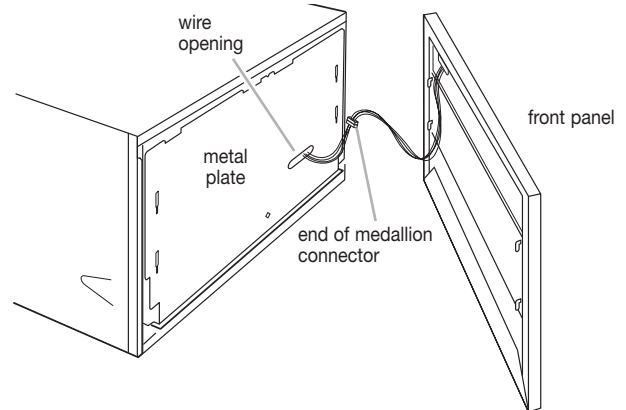


3. Open the drawer. Remove the packing tape from the front and rear of dish rack.
4. Close the drawer.

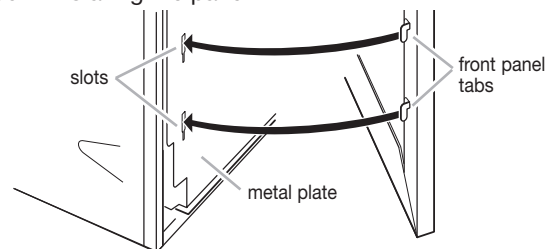
Install Drawer Front Panel

Option 1: Install standard front panel (on some models)

1. Remove front panel from box and discard all shipping material.
2. Remove the tape securing the connector and wires from the panel and the metal plate. Discard tape.
3. Connect the end of the medallion connector to the connector from the drawer.



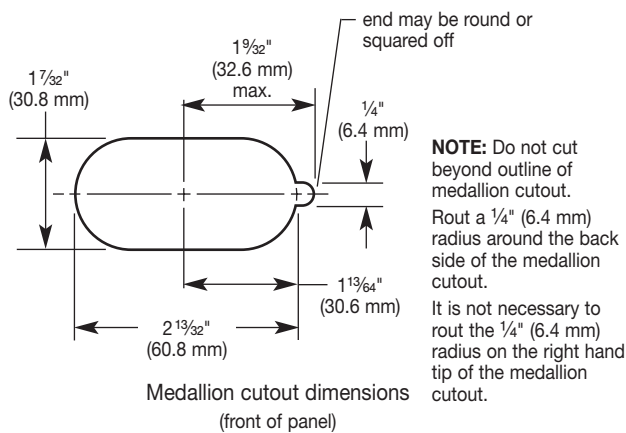
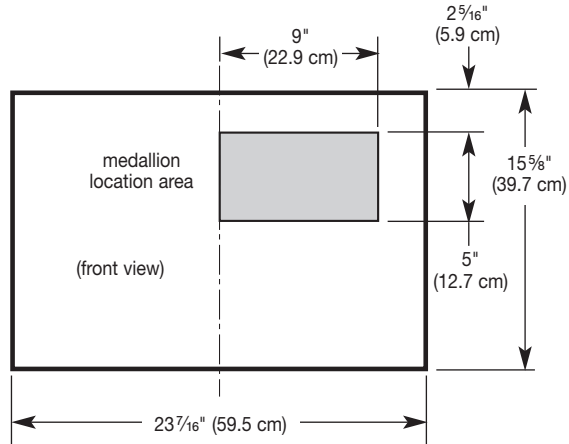
4. Gently feed the wires and connectors into the metal plate wire opening.
5. Line up front panel tabs to slots in metal plate. Do not pull the connector from the wire opening. Pull the drawer out slightly to aid in installing the panel.



6. Push the front panel down to lock in place.
7. When installed properly, the panel should be even with the top of the dishwasher.

Option 2: Install custom door panel

Custom door panel dimensions

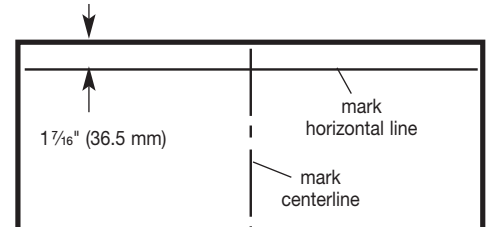


Minimum panel thickness is $\frac{5}{8}$ " (16 mm). Panel thickness more than $\frac{1}{16}$ " (18 mm) can be accommodated but overall product depth will increase accordingly.

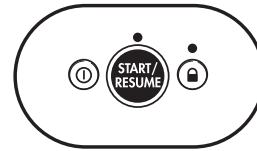
Custom door panel material must be suitable for damp conditions or adequately sealed to withstand moisture and humidity. Using a moisture-resistant material can provide additional protection. Taping edges alone may not provide adequate sealing. For painted panel, paint all rear edges to improve sealing.

1. Cut the custom door panel to specifications shown. The custom panel may be wider than the dishwasher in order to match the surrounding cabinets.
2. On the front side of the custom door panel, measure and mark the location of the customer supplied handle. The location is customer preference. Do not install handle at this time.
3. On the front side of the custom door panel, measure, mark and cut a hole for the medallion per specifications shown. **NOTE:** The medallion must be placed within the specified medallion area. Do not locate outside of this specified area.
4. Lay the custom front panel face down on a protective covering to prevent damage or abrasions.
5. On the back side of the custom door panel, rout a $\frac{1}{4}$ " (6.4 mm) radius around the medallion cutout. The medallion end does not need to be routed.

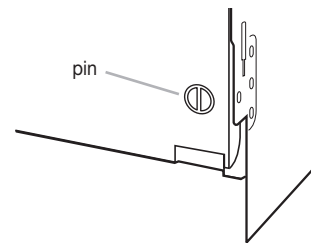
6. Measure and mark the vertical centerline and horizontal position line on the back of the custom door panel.



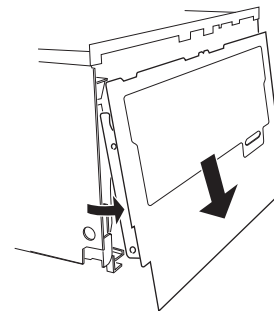
7. Mount the handle to the custom door panel. The screws must not extend beyond the back surface of the panel. Countersink the holes.
8. Feed the wires of the medallion connector through the front of the custom door panel and push the medallion into the prepared medallion hole.



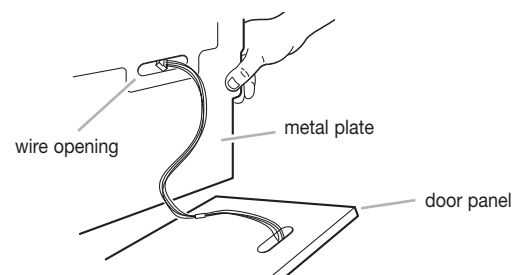
9. Remove the pins on both sides of the dishwasher drawer by pulling the pins straight out with a pair of needle-nose pliers.



10. Gently pull the bottom of the metal plate away from the dishwasher, and then pull down.

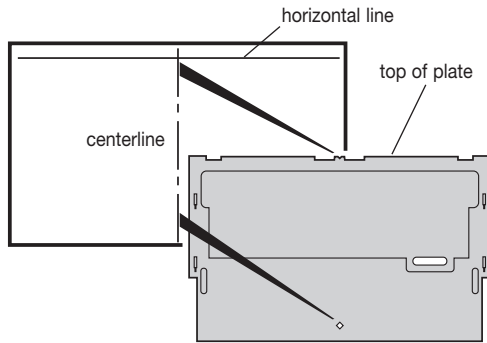


11. Lay the custom door panel face down.
12. Feed the medallion wires through the wire opening in the metal plate.

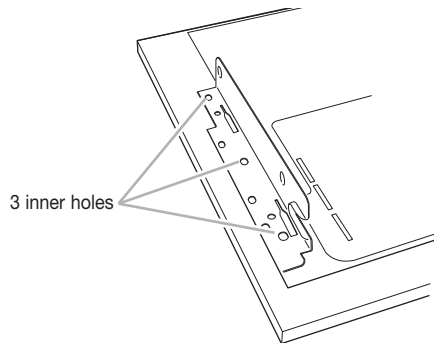


13. Lay the metal plate on the back of the custom door panel.

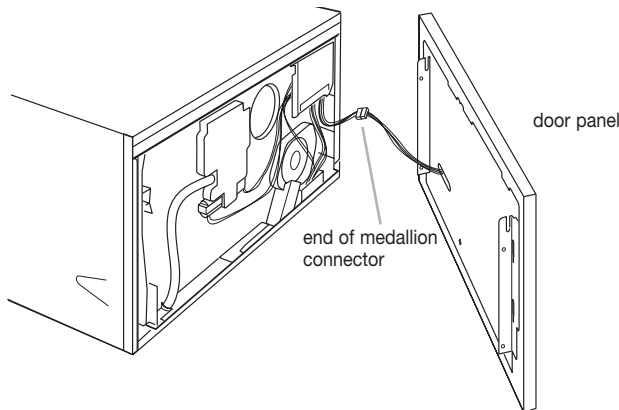
14. Align the centerline marked on the custom door panel with the diamond shape and notch in the metal plate to center the metal plate horizontally. Align the horizontal line with the top of the metal plate.



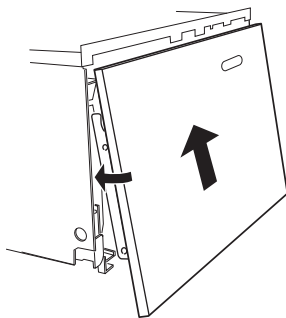
15. Using the screws provided, fasten the metal plate to the door panel through the 3 inner holes (per side).



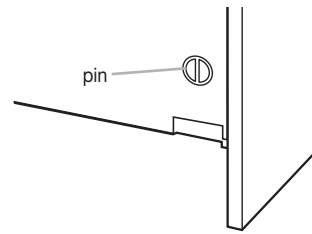
16. Connect the medallion connector to the dishwasher connector.



17. Slide the metal plate tabs into the notches and slots on the dishwasher and gently pull up to lock in place.



18. Line up the bracket holes with the pin holes and replace each pin so that the pin line is vertical.



Complete Installation

1. Check that all parts are now installed. If there is an extra part, go back through the steps to see which step was skipped.
2. Check that the dishwasher is level, securely fastened to the cabinetry and opens and closes freely with no resistance from the cabinetry.
3. Check that the inlet hose to valve connection is tightened an additional half turn after seal contact.
4. Check that any knockouts of plugs in the drain connection have been drilled out and drain connection has been made.
5. Turn on the power and water supply. The dishwasher should beep and the controls should light up.
6. Open the drawer and check the operation of the wash program control panel.
7. Check that the spray arm is in place and rotates freely.
8. On the wash program control panel, select rinse and close the drawer. Start the program by pressing the Start/Resume button.
9. After the rinse program has finished, be sure the dishwasher has run and drained correctly.
10. Check the water supply and drainage connection for leakage.
11. Check that you have all of your tools.
12. Dispose of/recycle all packaging materials.
13. Read "Dishwasher Use" in the Drawer Dishwasher Use and Care Guide.

If dishwasher does not operate, check the following:

- Household fuse is intact and tight; or circuit breaker has not tripped.
- Electrical supply is connected.
- See "Troubleshooting" in your Use and Care Guide.

Table des matières

Sécurité du lave-vaisselle tiroir	11	Instructions d'installation	14
Exigences d'installation	12	Préparation de la cavité d'installation	14
Outillage et pièces	12	Raccordement électrique	14
Emplacement d'installation	12	Cas de l'installation de moulures extrudées flexibles	14
Spécifications de l'alimentation en eau	13	Installation du lave-vaisselle	14
Spécifications électriques	13	Raccordement à la canalisation d'évacuation	15
		Raccordement à la source d'alimentation en eau	17
		Installation du panneau avant du tiroir	17
		Achever l'installation	19

SÉCURITÉ DU LAVE-VAISSELLE TIROIR

Votre sécurité et celle des autres est très importante.

Nous donnons de nombreux messages de sécurité importants dans ce manuel et sur votre appareil ménager. Assurez-vous de toujours lire tous les messages de sécurité et de vous y conformer.



Voici le symbole d'alerte de sécurité.

Ce symbole d'alerte de sécurité vous signale les dangers potentiels de décès et de blessures graves à vous et à d'autres.

Tous les messages de sécurité suivront le symbole d'alerte de sécurité et le mot "DANGER" ou "AVERTISSEMENT". Ces mots signifient :

⚠ DANGER

Risque possible de décès ou de blessure grave si vous ne suivez pas immédiatement les instructions.

⚠ AVERTISSEMENT

Risque possible de décès ou de blessure grave si vous ne suivez pas les instructions.

Tous les messages de sécurité vous diront quel est le danger potentiel et vous disent comment réduire le risque de blessure et ce qui peut se produire en cas de non-respect des instructions.

EXIGENCES D'INSTALLATION

Outillage et pièces

Rassembler les outils et pièces nécessaires avant de commencer l'installation. Lire et suivre les instructions fournies avec les outils indiqués ici.

Outillage nécessaire :

- couteau utilitaire
- pince à bec effilé
- mètre-ruban
- tournevis à lame plate
- tournevis Phillips n° 2
- pince coupante latérale
- crayon
- papier abrasif de ponçage
- niveau
- clé à mollette - ouvrable jusqu'à 1 1/8" (29 mm)
- clé à douille - 7 mm
- clé à douille - 5 mm
- clé plate ou polygonale - 5 mm
- perceuse électrique ou manuelle
- scie à trou - 1 1/2"
- robinet d'arrêt (de taille correspondant à la taille de la canalisation d'eau chaude) - avec raccord à compression mâle 3/8"
- revêtement de protection pour le plancher

Pièces fournies :

Dans le tiroir :

- 2 moulures extrudées flexibles (pour les côtés)
- moulure de protection des bords
- bride à tuyau (à visser)
- joint
- support pour tuyau d'évacuation
- connecteur pour tuyau d'évacuation
- bride à tuyau (fil métallique)
- 11 vis à bois Phillips n° 8 de 5/8"
- ruban adhésif anti-humidité
- 3 vis à bois à tête hexagonale de 1"
- 3 joints de 3/16"

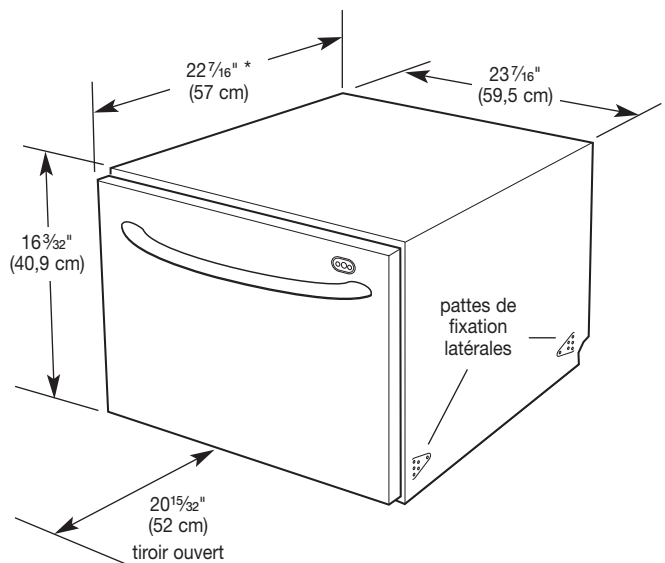
Emplacement d'installation

IMPORTANT : Respecter les prescriptions de tous les codes et règlements en vigueur. Le non-respect des prescriptions des codes et règlements peut provoquer un incendie ou un choc électrique.

C'est à l'acquéreur du produit qu'incombe la responsabilité d'une installation correcte :

- Contacter un installateur qualifié pour que le lave-vaisselle soit installé dans le respect de tous les codes national et local régissant les installations d'électricité et de plomberie.
- Installer le lave-vaisselle conformément aux présentes instructions.
- Veiller à disposer de tout le matériel nécessaire pour l'installation du lave-vaisselle.
- Protéger le lave-vaisselle et les canalisations qui l'alimentent contre le gel. La garantie ne couvre pas les dommages provoqués par le gel.
- Ce lave-vaisselle est conçu pour l'utilisation à l'intérieur seulement.
- Installer le lave-vaisselle dans un espace à surface plane, entre les placards, de taille adéquate pour la taille et l'utilisation du lave-vaisselle, et capable de soutenir une charge de 104 lb (47 kg).

Dimensions du produit



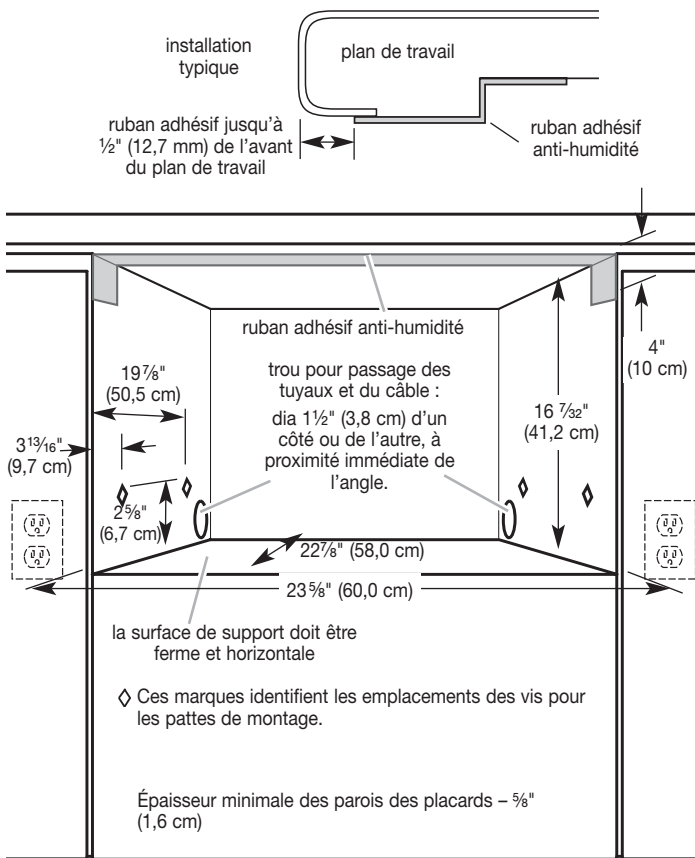
* Si des panneaux décoratifs personnalisés en bois sont utilisés, la profondeur du produit indiquée correspond à la présence d'un panneau de porte de 1/16" (18 mm) d'épaisseur.

NOTE : Pour la représentation des dimensions, le produit est illustré avec les panneaux avant.

La plus grande longueur du point de sortie du produit au raccordement (n'inclut pas le dégagement pour la boucle du circuit de vidange) :

- Tuyau de vidange - 88 3/16" (2250 mm) : nécessaire de rallonge disponible - pièce n° 8194400
- Tuyau d'admission d'eau - 68 7/8" (1750 mm)
- Câblage d'alimentation - 44" (1125 mm)

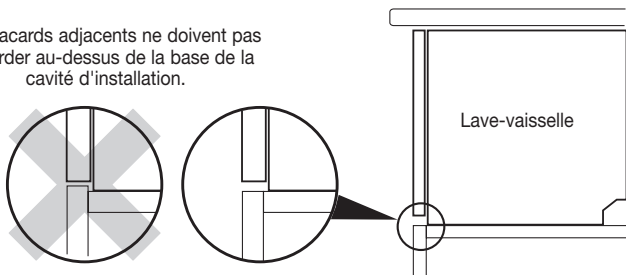
Placard- Dimensions à respecter



- Construire le placard personnalisé aux dimensions indiquées et en respectant les instructions fournies. La base du placard doit être solide, de niveau, apte à soutenir un poids maximum de 104 lb (47 kg) et avec des parois d'une épaisseur minimum de 5/8" (1,6 cm).
- La prise à 3 alvéoles de liaison à la terre doit être installée à une distance de 6" (15,2 cm) à 18" (45,7 cm) du trou de passage des tuyaux et du câble dans la paroi latérale du placard. La prise de courant doit être accessible après l'installation.
- Pour la prévention d'une éventuelle détérioration par l'humidité, on recommande d'appliquer une peinture de scellement (peinture à base d'huile ou peinture au polyuréthane résistante à l'humidité) sur les éléments de bois des placards au voisinage du lave-vaisselle.
- Le trou de passage des tuyaux et du câble doit être placé comme l'indique l'illustration. Si ce n'est pas le cas, les tuyaux empêcheront l'insertion complète du lave-vaisselle dans la cavité. Veiller à éliminer les bavures ou à placer un accessoire de protection sur les arêtes du trou. Lorsque le trou est percé dans une cloison de placard métallique, on doit protéger la rive avec l'accessoire de protection fourni.

IMPORTANT : Panneaux de porte personnalisés en bois : la largeur des panneaux peut être supérieure à celle du lave-vaisselle, pour un meilleur ajustement avec les placards adjacents.

Les placards adjacents ne doivent pas déborder au-dessus de la base de la cavité d'installation.



On doit augmenter la dimension 23 5/8" (60,0 cm) pour qu'il y ait un espace libre de 3/32" (2,5 mm) entre le côté du placard et le bord du panneau.

- Pour l'installation dans un angle, on doit prévoir un espace de 1/2" (12,7 mm) entre une porte de placard adjacente (c'est-à-dire les boutons de porte) et le tiroir ouvert du lave-vaisselle.

Spécifications de l'alimentation en eau

Pour le lave-vaisselle :

- Canalisation d'eau chaude offrant une pression de 4,3-145 lb/po² (30 – 1000 kPa).
- Eau à 120°F (48,8°C) au lave-vaisselle.
- On doit installer un robinet d'arrêt de 3/8" avec raccord à compression, en un point accessible sur la canalisation d'eau chaude.

Spécifications électriques

⚠ AVERTISSEMENT



Risque de choc électrique

Brancher sur une prise à 3 alvéoles reliée à la terre.

Ne pas enlever la broche de liaison à la terre.

Ne pas utiliser un adaptateur.

Ne pas utiliser un câble de rallonge.

Le non-respect de ces instructions peut causer un décès, un incendie ou un choc électrique.

INSTRUCTIONS DE MISE À LA TERRE

- Le lave-vaisselle doit être relié à la terre. En cas d'un mauvais fonctionnement ou d'une panne, la mise à terre réduira le risque d'un choc électrique en fournissant le moins de résistance pour le courant électrique. Le lave-vaisselle est équipé d'un cordon avec un conducteur pour relier les appareils à la terre. La fiche doit être branchée sur une prise appropriée, installée et reliée à la terre conformément aux codes et règlements locaux.

AVERTISSEMENT : La connexion incorrecte du conducteur pour relier les appareils à la terre peut causer le risque de choc électrique. Vérifier avec un électricien compétent ou un représentant de service si vous avez des doutes si le lave-vaisselle est correctement relié à la terre. Ne pas modifier la fiche fournie avec le lave-vaisselle; si elle n'entre pas dans la prise, faire installer une prise appropriée par un électricien compétent.

CONSERVEZ CES INSTRUCTIONS

L'appareil doit être alimenté uniquement par un circuit de 120 V CA (60 Hz), protégé par fusible de 15 A (disjoncteur ou fusible temporisé de préférence). Il est recommandé que l'appareil soit alimenté par un circuit indépendant.

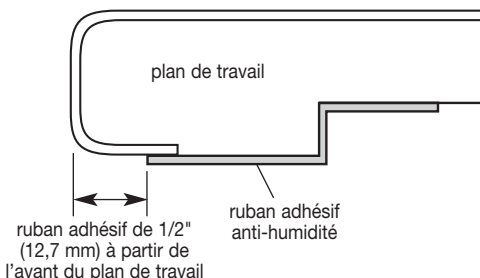
Broyeur à déchets :

Si on envisage l'installation d'un broyeur à déchets, on devra disposer d'un circuit d'alimentation indépendant additionnel de 120 V CA (60 Hz), protégé par un fusible de 15 ou 20 A.

INSTRUCTIONS D'INSTALLATION

Préparation de la cavité d'installation

1. Pour préparer la cavité d'installation, apposer un ruban adhésif anti-humidité sur la surface sèche et exempte de poussière sous le plan de travail.



2. Fermer l'arrivée d'eau.

Raccordement électrique

AVERTISSEMENT

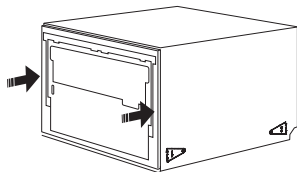
Risque du poids excessif

Utiliser deux personnes ou plus pour déplacer et installer le lave-vaisselle.

Le non-respect de cette instruction peut causer une blessure au dos ou d'autre blessure.

1. Placer une feuille de carton ou autre matériau de protection sur le sol et/ou placer un support devant l'espace d'installation de l'appareil. Placer le lave-vaisselle sur le matériau de protection. Selon la hauteur de l'espace d'installation, il peut être nécessaire d'installer le lave-vaisselle sur un support.
2. Acheminer le câble d'alimentation électrique et les tuyaux d'admission d'eau à travers le trou percé à cet effet dans le placard.
3. Pousser partiellement le lave-vaisselle dans l'espace d'installation.

IMPORTANT : Exercer la poussée sur les bords externes du tiroir – voir l'illustration. Ne pas pousser contre le centre du tiroir.



4. Pendant l'insertion du lave-vaisselle dans l'espace d'installation, tirer lentement sur le câble d'alimentation électrique, le tuyau de vidange et le tuyau d'admission d'eau à travers le trou de passage dans la paroi du placard.

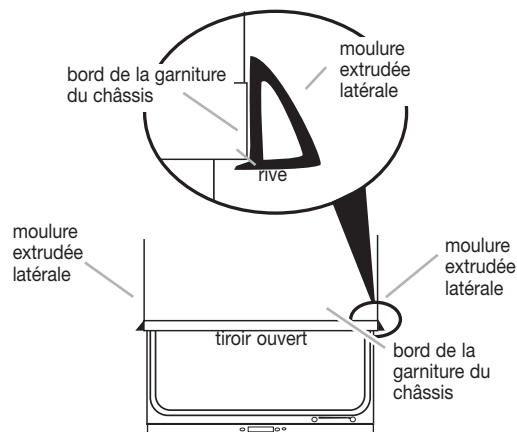
5. Enlever le ruban adhésif/la sangle du tiroir.

NOTE : Cet appareil est représenté sans son panneau de façade. Pour certains modèles, le panneau de façade a été installé avant l'expédition.

Cas de l'installation de moulures extrudées flexibles

Si les dimensions de la cavité d'insertion sont d'une largeur de 24" (61,0 cm), on peut installer les moulures extrudées flexibles le long du côté du lave-vaisselle. (Aucune ne peut être utilisée le long de la partie supérieure.)

1. Ouvrir les tiroirs pour exposer la garniture du châssis.
2. Centrer les moulures extrudées flexibles.



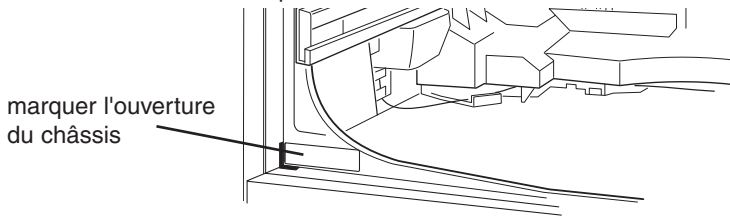
3. Pour chaque moulure extrudée, enlever l'endos de papier pour exposer l'adhésif.
4. Placer les moulures extrudées sur la garniture, et appuyer.
5. Terminer l'insertion du lave-vaisselle dans la cavité d'installation.

Installation du lave-vaisselle

1. Laisser un matériau de protection sur le sol, ou un support devant l'espace d'installation.
2. Pour les modèles avec panneaux prêts à installer, pousser le lave-vaisselle pour la mise en place; depuis l'avant des placards adjacents, laisser un espace égal à la largeur du panneau de façade du tiroir.

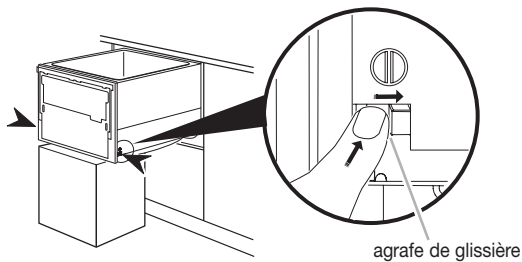


3. Pour les modèles avec panneau avant déjà en place, pousser le lave-vaisselle en place et aligner le panneau avant avec les placards adjacents.
4. Ouvrir doucement le tiroir, juste assez pour marquer l'ouverture du châssis dans l'espace d'installation.

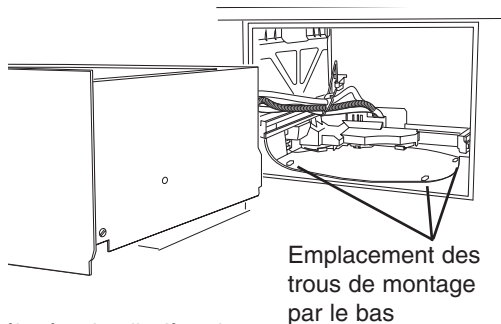


5. Ouvrir le tiroir.
6. Appuyer sur l'agrafe de la glissière de droite, et repousser celle-ci d'environ 6" (15,2 cm). Répéter ceci pour la glissière de gauche.

NOTE : Lors de l'extraction du tiroir, la course de mouvement est limitée du fait de la présence des tuyaux d'eau connectés.



7. Soulever le bord de droite du tiroir pour le séparer de la glissière. Repousser cette glissière dans le lave-vaisselle.
8. Soulever le tiroir et séparer complètement celui-ci de la glissière de gauche.
9. Placer le tiroir à plat sur le matériau de protection. S'il n'est pas possible de placer le tiroir à plat du fait de la limitation de l'espace disponible, faire pivoter le tiroir vers la gauche, pour le placer en appui sur son côté sur le matériau de protection. Il sera nécessaire de soutenir solidement le tiroir à une hauteur correspondant à celle de la cavité.



10. Réinsérer la glissière de gauche dans le lave-vaisselle.
11. S'assurer que l'emplacement du châssis est toujours aligné avec les trous de positionnement à la base (dans le cas de l'utilisation du montage par le bas).

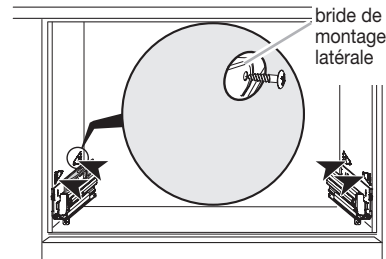
Option 1 : Fixation du lave-vaisselle (montage latéral)

1. On accède aux pattes de fixation latérales du lave-vaisselle par les trous du matériau d'isolation acoustique.

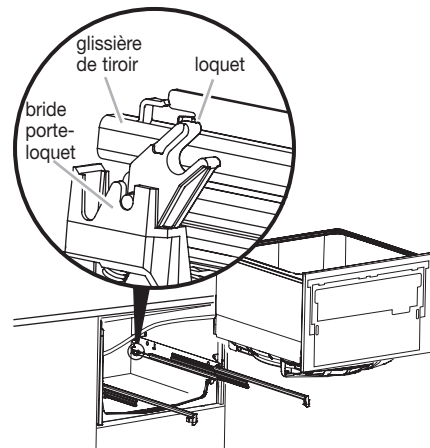
IMPORTANT : Pour optimiser l'installation, utiliser les quatre pattes de fixation. Ajouter si nécessaire des cales d'espacement sur le côté du placard pour la fixation des vis. Voir la section "Placard – dimensions à respecter".

2. Fixer les pattes sur le placard – utiliser des vis Phillips n° 8.

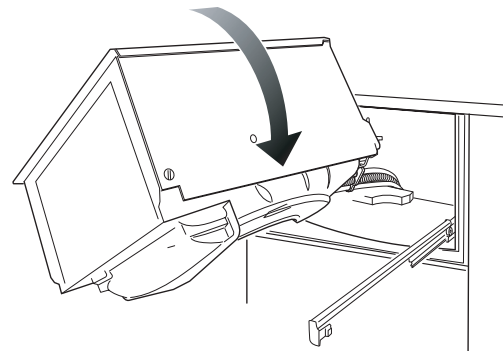
NOTE : Avant de fixer le lave-vaisselle, vérifier que le châssis est toujours correctement aligné.



3. Déployer complètement l'une des glissières du tiroir. Vérifier que les loquets à l'arrière de chaque glissière du tiroir sont orientés vers l'avant.



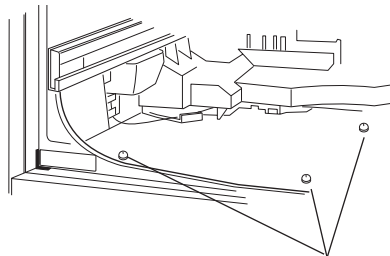
4. S'il a fallu faire pivoter le tiroir, faire de nouveau pivoter le tiroir pour dérouler les tuyaux, puis placer le tiroir sur les glissières – veiller à ce que les tuyaux forment une boucle vers le haut.



5. Tout en maintenant le tiroir, étirer complètement le reste de la glissière du tiroir. Suivre la procédure à l'étape 3 pour placer le tiroir sur l'autre glissière.
6. Vérifier que les agrafes des deux glissières se sont emboîtées en place. Si ce n'est pas le cas, tirer les agrafes des glissières vers l'avant pour provoquer l'emboîtement.
7. Fermer le tiroir.

Option 1 : Fixation du lave-vaisselle (montage latéral)

1. Réinstaller temporairement le tiroir et retirer l'ensemble du lave-vaisselle de la cavité.
2. Percer un avant-trou de 3/16" à chacun des 3 emplacements marqués.
3. Replacer le lave-vaisselle dans l'ouverture et réaligner avec le repère du châssis.
4. Retirer le tiroir et installer les trois vis à tête hexagonale de 1" et les trois joints de 9/16" (utiliser les trois vis et les trois joints) en exerçant un couple de 20 po/lb.
5. Réinstaller le tiroir en suivant les étapes 3 à 7 de l'Option 1.
6. Vérifier le mouvement latéral de l'unité. Si elle bouge, retirer le tiroir et resserrer les vis. Puis, réinstaller le tiroir



Vis à tête hexagonale et joints

Raccordement à la canalisation d'évacuation

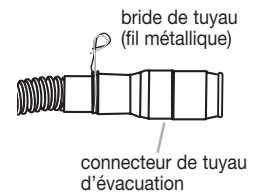
Un ensemble de rallonge du tuyau de vidange, pièce n° 8194400, allongera le tuyau de vidange d'un maximum de 141 3/4" (360,05 cm). Ne pas l'allonger au-delà de cette longueur. La hauteur maximum du tuyau de vidange est de 37 1/2" (95,25 cm).

Option 1 : Connexion sur le raccord T du circuit d'évacuation de l'évier

1. Acheminer le tuyau d'évacuation comme l'indique l'illustration ci-dessous. Placer les tuyaux sur les supports.

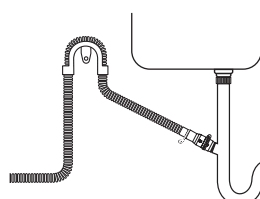
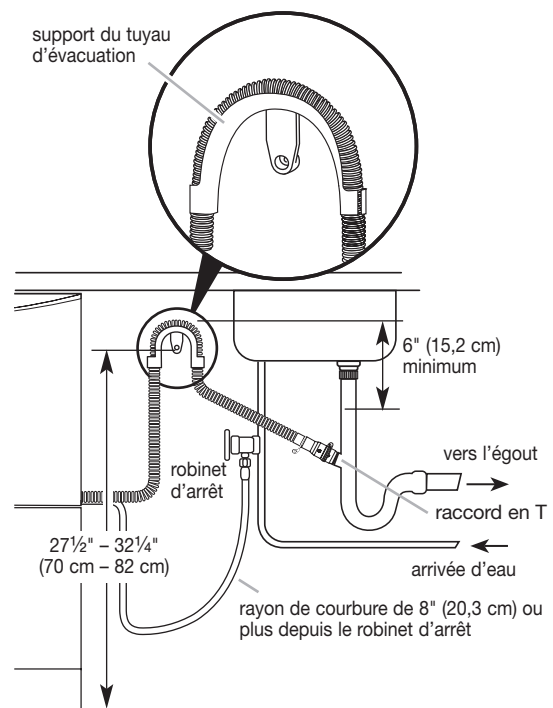
2. Déterminer s'il est nécessaire de tailler les segments du tuyau d'évacuation. Effectuer maintenant ces opérations si nécessaire.

NOTE : Le connecteur de tuyau de vidange ne doit pas soutenir le poids d'une longueur de tuyau excessive. Maintenir le tuyau aussi déployé que possible.



3. Engager une bride de tuyau (fil métallique) sur chaque section du tuyau d'évacuation. Pousser fermement chaque tuyau sur le raccord (5 clics).
4. Positionner les brides entre les deux nervures de positionnement visibles sur le raccord du tuyau d'évacuation.
5. Utiliser l'autre bride de tuyau fournie pour fixer le raccord de connexion du tuyau d'évacuation sur le raccord T.
6. Fixer la bride de support du tuyau d'évacuation sur la caisse de l'appareil avec une vis Phillips n° 8; veiller à respecter la hauteur indiquée ci-dessous.

IMPORTANT : On doit former une boucle sur le tuyau de vidange, comme ceci est indiqué dans les instructions d'installation. Maintenir le tuyau aussi étiré que possible pour éviter un affaissement. Toute longueur excédentaire de tuyau doit être maintenue du côté du lave-vaisselle par rapport à la boucle du circuit de vidange.

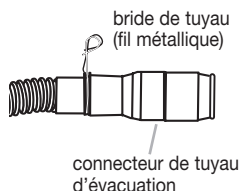


Maintenir la canalisation d'évacuation droite, tel qu'indiqué.

Option 2 : Connexion sur le broyeur à déchets

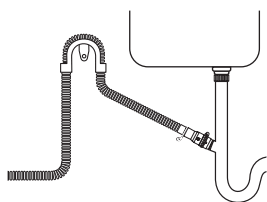
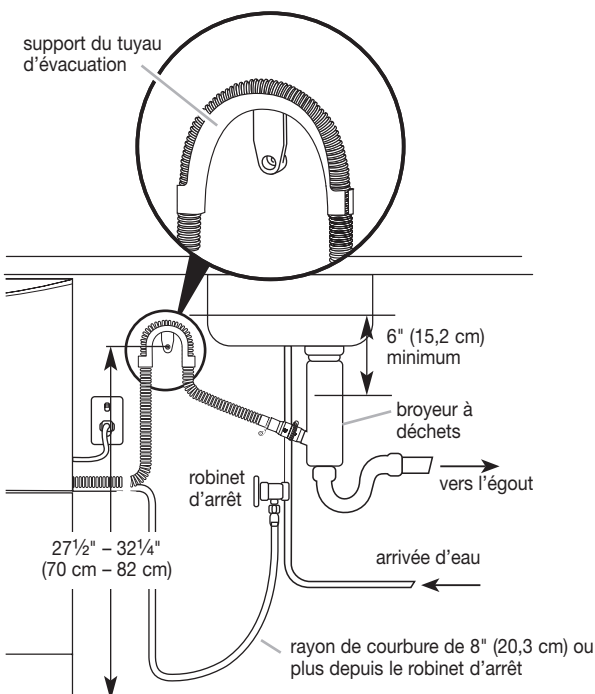
1. Acheminer le tuyau d'évacuation comme l'indique l'illustration ci-dessous. Placer les tuyaux sur les supports.
2. Déterminer s'il est nécessaire de tailler les segments du tuyau d'évacuation. Effectuer maintenant ces opérations si nécessaire.

NOTE : Le connecteur de tuyau de vidange ne doit pas soutenir le poids d'une longueur de tuyau excessive. Maintenir le tuyau aussi déployé que possible.



3. Engager une bride de tuyau (fil métallique) sur chaque section du tuyau d'évacuation. Pousser fermement chaque tuyau sur le raccord (5 clics).
4. Positionner les brides entre les deux nervures de positionnement visibles sur le raccord du tuyau d'évacuation.
5. Fixer le connecteur du tuyau d'évacuation au broyeur à déchets à l'aide de la bride de fixation fournie.
6. Fixer la bride de support du tuyau d'évacuation sur la caisse de l'appareil avec une vis Phillips n° 8; veiller à respecter la hauteur indiquée ci-dessous.

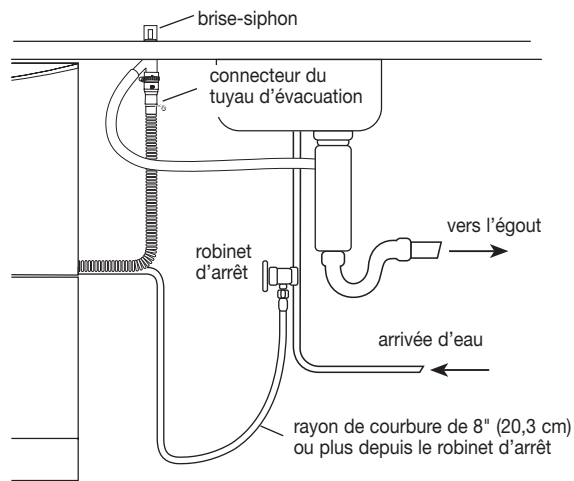
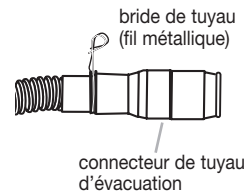
IMPORTANT : On doit former une boucle sur le tuyau de vidange, comme ceci est indiqué dans les instructions d'installation. Maintenir le tuyau aussi étiré que possible pour éviter un affaissement. Toute longueur excédentaire de tuyau doit être maintenue du côté du lave-vaisselle par rapport à la boucle du circuit de vidange.



Maintenir la canalisation d'évacuation droite, tel qu'indiqué.

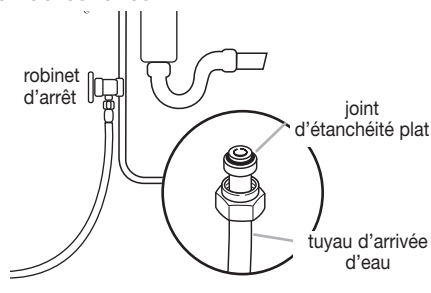
Option 3 : Raccordement au brise-siphon

1. Acheminer le tuyau d'évacuation comme l'indique l'illustration.
2. Déterminer s'il est nécessaire de tailler les segments du tuyau d'évacuation. Effectuer maintenant ces opérations si nécessaire.
3. Engager une bride de tuyau (fil métallique) sur chaque section du tuyau d'évacuation. Pousser fermement chaque tuyau sur le raccord (5 clics).
4. Positionner les brides entre les deux nervures de positionnement visibles sur le raccord du tuyau d'évacuation.
5. Raccorder le tuyau de vidange au composant brise-siphon; utiliser la bride de tuyau fournie.



Raccordement à la source d'alimentation en eau

1. Insérer le joint d'étanchéité plat à l'extrémité du tuyau d'arrivée d'eau. Connecter le tuyau d'arrivée d'eau au robinet d'arrêt. Bien serrer.
2. Ouvrir le robinet d'arrivée d'eau et inspecter pour rechercher d'éventuelles fuites.

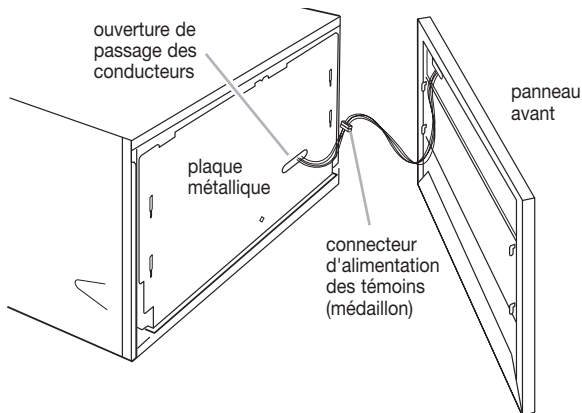


3. Ouvrir le tiroir. Retirer le ruban adhésif d'emballage à l'avant et à l'arrière du panier à vaisselle.
4. Fermer le tiroir.

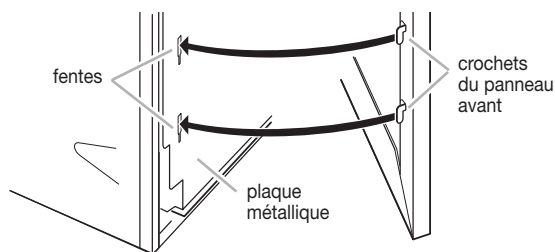
Installation du panneau avant du tiroir

Option 1 : Installation du panneau avant standard (sur certains modèles)

1. Retirer le panneau avant de l'emballage et jeter les matériaux d'emballage.
2. Enlever le ruban adhésif fixant le connecteur et les conducteurs du panneau. Jeter le ruban adhésif.
3. Brancher l'extrémité du connecteur du bouton de mise en marche sur le connecteur du tiroir.



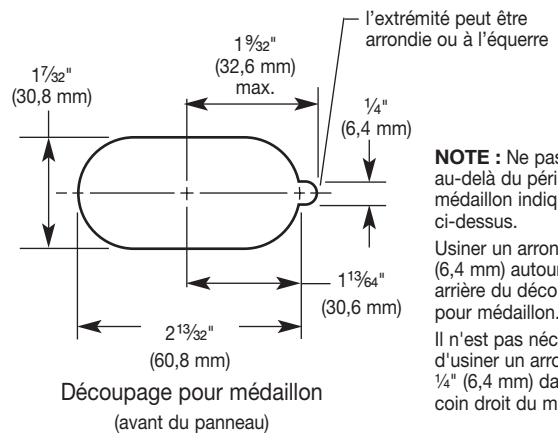
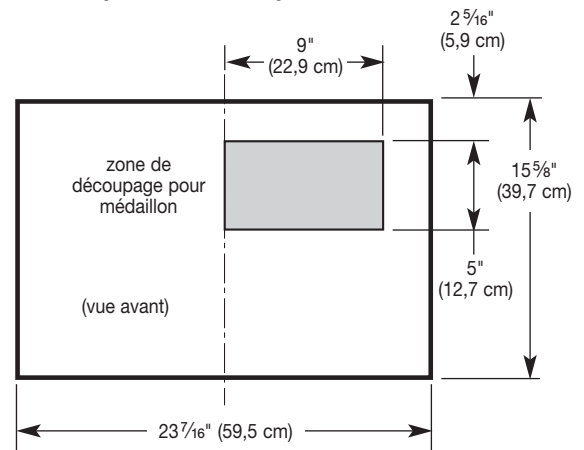
4. Faire passer doucement les connecteurs et conducteurs à travers l'ouverture de la plaque métallique.
5. Aligner les crochets du panneau avant avec les fentes de la plaque métallique. Veiller à ne pas tirer le connecteur à travers l'ouverture de passage des conducteurs. Tirer légèrement sur le tiroir pour faciliter l'installation du panneau.



6. Pousser le panneau avant vers le bas pour provoquer l'accrochage.
7. Lorsque le panneau est convenablement installé, il doit être en affleurement avec le sommet du lave-vaisselle.

Option 2 : Installation du panneau avant personnalisé

Dimensions du panneau avant personnalisé



NOTE : Ne pas tailler au-delà du périmètre du médaillon indiqué ci-dessus. Usiner un arrondi de 1/4" (6,4 mm) autour du côté arrière du découpage pour médaillon. Il n'est pas nécessaire d'usiner un arrondi de 1/4" (6,4 mm) dans le coin droit du médaillon.

L'épaisseur minimum des panneaux est 5/8" (16 mm). On peut utiliser un matériau d'épaisseur supérieure à 1 1/16" (18 mm), mais la profondeur totale du produit augmentera en conséquence.

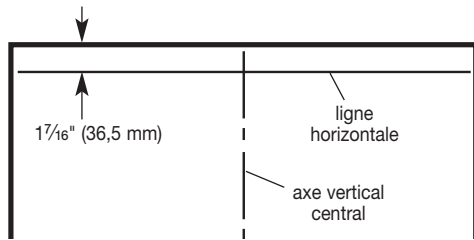
Le matériau utilisé pour la réalisation des panneaux avant personnalisés doit être adéquat pour un environnement humide ou avoir reçu une application adéquate de bouche-pores lui conférant une bonne résistance à l'humidité. L'emploi d'un matériau résistant à l'humidité assurera une protection additionnelle. La pose de ruban adhésif sur les chants peut ne pas produire l'étanchéité adéquate. Pour un panneau peint, peindre toutes les arêtes arrière pour améliorer l'étanchéité.

1. Préparer le panneau avant personnalisé conformément aux spécifications. La largeur des panneaux peut être supérieure à celle du lave-vaisselle, pour un meilleur ajustement avec les placards adjacents.
2. Mesurer et marquer l'emplacement de la poignée fournie par le client sur l'avant du panneau personnalisé. L'emplacement est choisi par le client. Ne pas installer la poignée à cette étape.
3. Mesurer, marquer et couper un trou pour le médaillon en respectant les indications fournies.

REMARQUE : Le médaillon doit être placé dans la zone du médaillon. Ne pas le placer à l'extérieur de la zone spécifiée.

4. Placer le panneau avant personnalisé sur un matériau de protection, face vers le bas.
5. Sur la surface arrière du panneau personnalisé, usiner un arrondi de 1/4" (6,4 mm) autour du périmètre du médaillon. L'extrémité du médaillon n'a pas besoin d'être usinée.

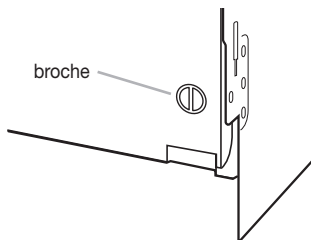
6. Sur la surface arrière du panneau avant, mesurer et tracer les lignes de positionnement verticale et horizontale.



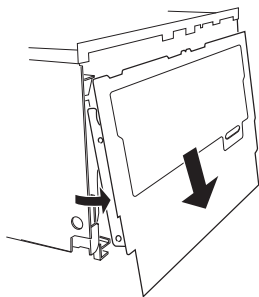
7. Monter la poignée sur le panneau personnalisé. Les vis ne doivent pas traverser la face arrière du panneau. Fraiser les trous.
8. Faire passer les conducteurs du médaillon à travers l'avant du panneau avant personnalisé; pousser le médaillon dans la cavité destinée à le recevoir.



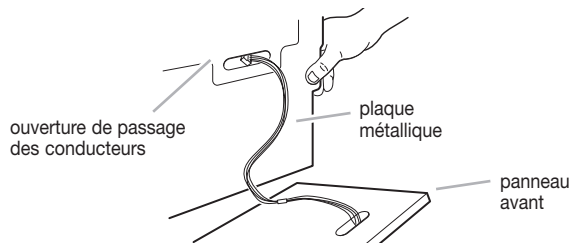
9. Ôter les broches de chaque côté du tiroir du lave-vaisselle – puis tirer les broches en ligne droite avec une pince à bec effilé.



10. Tirer doucement sur le bas de la plaque métallique, pour l'écartier du lave-vaisselle, puis tirer vers le bas.

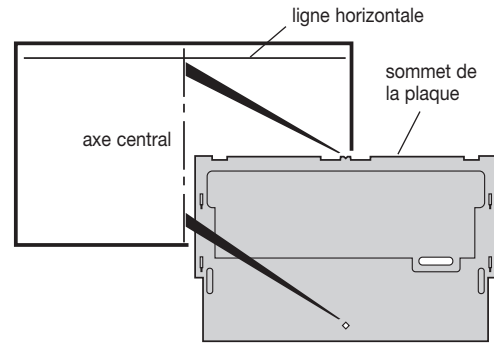


11. Placer le panneau avant personnalisé face vers le bas.
12. Faire passer les conducteurs du médaillon à travers l'ouverture destinée à cette fin dans la plaque métallique.

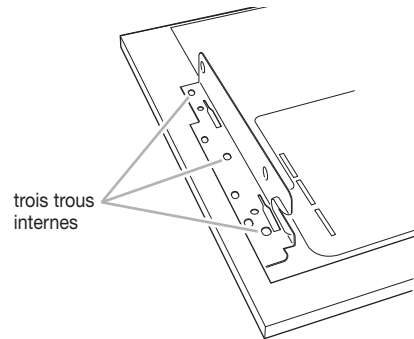


13. Placer la plaque métallique sur la face arrière du panneau avant personnalisé.

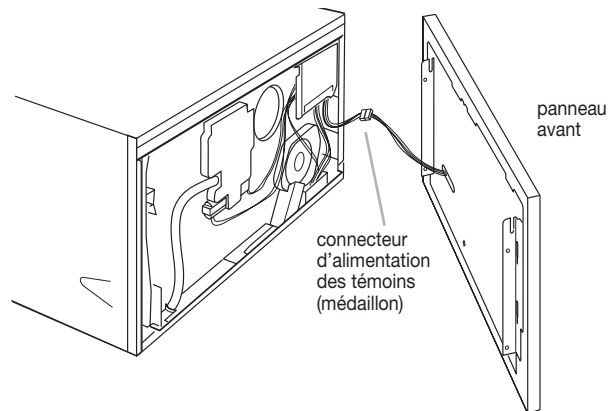
14. Aligner l'axe vertical tracé sur le panneau personnalisé avec le trou en losange et l'encoche de la plaque métallique pour réaliser le centrage horizontal de la plaque métallique. Aligner la ligne horizontale avec le sommet de la plaque métallique.



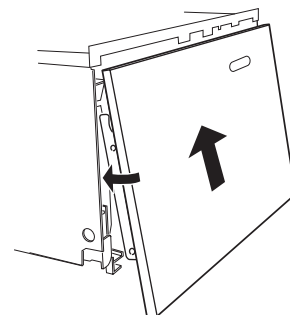
15. À l'aide des vis fournies, fixer la plaque métallique au panneau avant à travers les trois trous internes (de chaque côté).



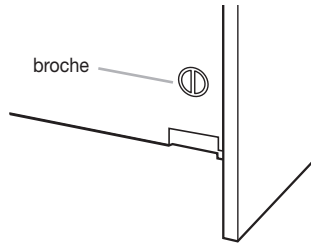
16. Brancher le connecteur du médaillon sur le connecteur du lave-vaisselle.



17. Aligner les crochets de la plaque métallique avec les encoches et fentes du lave-vaisselle; tirer doucement vers le haut pour réaliser le blocage.



18. Aligner les trous de la bride avec les trous des broches et réinstaller chaque broche de façon à ce que la ligne des broches soit verticale.



Achever l'installation

1. Vérifier que toutes les pièces sont maintenant installées. S'il reste une pièce, passer en revue les différentes étapes pour découvrir laquelle aurait été oubliée.
2. Vérifier que le lave-vaisselle est de niveau, bien attaché aux placards adjacents et ouvre et ferme librement sans résistance de la part des placards adjacents.
3. Vérifier que la connexion du tuyau d'alimentation au robinet d'arrêt est serrée d'un demi tour supplément
4. Vérifier que les opercules arrachables des bouchons dans la connexion du tuyau de vidange ont été percés et que la connexion du tuyau de vidange a été effectuée.
5. Mettre l'appareil sous tension et ouvrir l'arrivée d'eau. Le lave-vaisselle doit émettre un signal sonore (bip); et les lampes témoins doivent s'allumer.
6. Ouvrir le tiroir; vérifier le fonctionnement du tableau de commande pour le programme de lavage.
7. Vérifier que la rampe d'aspersion est en place et peut tourner librement.
8. Sur le tableau de commande du programme de lavage, sélectionner l'opération de rinçage, et fermer le tiroir. Lancer le programme : appuyer sur le bouton Start/Resume (mise en marche/réinitialisation).
9. Après l'exécution du programme de rinçage, vérifier que le lave-vaisselle a fonctionné correctement et s'est correctement vidé.
10. Vérifier les circuits d'admission d'eau et évacuation; rechercher les indices de fuite au niveau des connexions.
11. S'assurer d'avoir récupéré tous les outils.
12. Jeter ou recycler tout le matériel d'emballage.
13. Lire la section "Utilisation du lave-vaisselle" dans le Guide d'utilisation et d'entretien du lave-vaisselle tiroir.

Si le lave-vaisselle ne fonctionne pas, contrôler ce qui suit :

- Fusible grillé ou desserré? Disjoncteur ouvert?
- Prise de courant correctement alimentée?
- Consulter la section "Dépannage" dans le Guide d'utilisation et d'entretien.

8573714B

© 2006 KitchenAid

® Marque déposée/™ Marque de commerce de
KitchenAid, U.S.A., KitchenAid Canada porteur
de licence au Canada

Benton Harbor, Michigan 49022

Printed in New Zealand
Imprimé en Nouvelle-Zélande
03/2006

Free Manuals Download Website

<http://myh66.com>

<http://usermanuals.us>

<http://www.somanuals.com>

<http://www.4manuals.cc>

<http://www.manual-lib.com>

<http://www.404manual.com>

<http://www.luxmanual.com>

<http://aubethermostatmanual.com>

Golf course search by state

<http://golfingnear.com>

Email search by domain

<http://emailbydomain.com>

Auto manuals search

<http://auto.somanuals.com>

TV manuals search

<http://tv.somanuals.com>